

KYSOR

HVAC ALL MAKES PARTS

AND

SYSTEMS CATALOG

Including:

NITE® Systems

Bus Cool Zone Systems

Bergstrom Standard Products

Bergstrom Electrified Systems

Bergstrom Solar Energy Systems



KYSOR
by Bergstrom.



Use this catalog to accurately source OEM quality replacement parts for most any medium and heavy duty truck on the road today.

Quickly Locate the Parts You Need

We've organized everything to help you get your customer back on the road.

Alphabetized Table of Contents

Designed to quickly get you to the page you need.

Easy-to-Use Application Section

Arranged by truck manufacturer, model and year, and containing the most current information, including OEM part numbers. Identify all the major A/C components by vehicle make, model and year, with all major components listed in alphabetical order.

Crisp Digital Photographs

All available parts are photographed, including top and bottom and wire terminal views where needed, and accompanied by part number and specification to make exact identification and verification foolproof.

Detailed Illustrations to Correctly Scale Each Part

Wherever needed, a detailed technical drawing corresponding to the part listing is included to identify the part by its dimensions.

Comprehensive Specifications Section

Each part has a detailed specification to ensure you have the correct part with or without a part number, VIN number or application.

Full-Featured Cross-Reference Guide

One of the best cross-reference guides in the industry helps you to effortlessly reference any part to a corresponding OEM part number.

Helpful Service Tips

Handy service tips and descriptions to help diagnose problems and identify parts more quickly.

©BERGSTROM® 2018

COPYRIGHT

The content of this catalog, including, but not limited to, the part numbers, illustrations, photographs and data represented, is property of Bergstrom, Inc. and may not be reproduced without the express written consent of Bergstrom, Inc. All unauthorized reproduction is expressly prohibited.

TRADEMARK

Bergstrom, Inc. and other Bergstrom, Inc. graphics, logos, and service names referenced herein are trademarks owned by Bergstrom, Inc. All other trademarks appearing herein are not owned by Bergstrom, Inc. are property of their respective owners, who may or may not be affiliated with, connected to, or sponsored by Bergstrom, Inc.

NOTICE

Under no circumstances shall Bergstrom, Inc. be liable for any indirect, incidental or consequential damages (including lost profits) incurred as a result of the use of the information or products provided in or through this catalog.

The illustrations and photographs appearing in this catalog are intended for illustration purposes only. They do not necessarily represent the exact product being offered. The information and data contained in this catalog was obtained from reliable sources and was believed to be accurate at the time of printing. However, Bergstrom, Inc. makes no warranty, express or implied, including but not limited to any warranty of merchantability or fitness for any particular purpose with respect to the accuracy of the information and data contained in this catalog.

The products offered in this catalog are intended for use as manufactured and should never be modified or altered for other purposes or applications.

Availability of the products shown in this catalog is subject to change without notice by Bergstrom, Inc. For the most current product information please visit the Kysor distributor website at <https://parts.kysorhvac.com/>.



KYSOR

by Bergstrom.

AIR CONDITIONING SYSTEMS & HEATING REPLACEMENT PARTS



Illustrations and photographs used in this catalog may vary slightly from the actual part. Availability of products shown in this catalog is subject to change without notice. All products offered through the Kysor program may not be illustrated or listed in this catalog. All applications are for reference only. If you have any part discrepancies, please check with the original equipment manufacturer.

Kysor New Part Number Legend

General Product Legend

FIRST 2 DIGITS				NEXT 2 DIGITS		LAST 3 DIGITS
Code	Product	Code	Product	Code	Application	Assigned Sequence
10	Blower Motors	28	Retrofit Adapters & Kits	10	Chevrolet/GMC	001
11	Blower Wheels	29	Service Equipment	11	Ford/Sterling	002
12	Defrost Fans & Fan Blades	30	Chemicals & Lubricants	12	Freightliner	003
13	Clutches	31	Air Filters	13	International	004
14	Compressors*	32	Air Distribution Parts & Louvers	14	Kenworth	005
15	Condensers	33	Aftermarket Units	15	Mack	006
16	Evaporators	34	Miscellaneous Kits for Kysor Units	16	Marmon	007
17	Heater Cores	35	Pulse Tech Products	17	Peterbilt	008
18	Expansion Valves	36	NITE & Autotherm Products	18	Volvo	009
19	Receiver Dryers	37	Mount & Drive Kits	19	Western Star	...etc.
20	Relays & Resistors	38	Controls and Components	75	Kysor Unit	
21	Electrical Switches & Accessories	39	Espar Units and Components	99	Miscellaneous Applications	
22	Pressure Switches	40	NITE Service Parts			
23	Thermostatic Switches	41	Displays			
24	Water Valves & Heater Fittings	42	BES Units and Components			
25	Control Knobs & Cables	43	Miscellaneous Components			
26	Hose & Fittings†	44	No-Idle Components			
27	O-rings and Misc.					

* See separate table below for Compressor part number legend.
 † See separate table below for Hoses & Fittings part number legend.

Hoses & Fittings†

FIRST 2 DIGITS		3rd DIGIT		4th DIGIT		5th DIGIT		6th DIGIT		7th DIGIT	
Code	Product	Code	Type	Code	Male/ Female	Code	Style	Code	Angle	Code	Fitting Size
26	Hose & Fittings	1	Steel Beadlock	1	Male	1	Flare	0	Straight	1	No. 6
		2	Aluminum Beadlock	2	Female	2	O-ring	5	45°	2	No. 8
		3	E-Z Clip	0	Splice	3	Insert O-ring	9	90°	3	No. 10
						4	O-ring w/R-12 Port			4	No. 12
						5	O-ring w/R-134a Port			5	No. 7 11/16" IHC Ftg
						6	Springlock			6 - 19	Step Fittings or Misc.
						7	Splice				
						8	Bulkhead				
						9	Splice w/ Port				

Compressors*

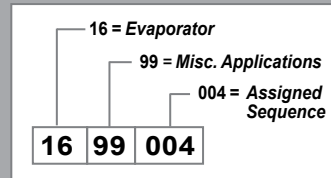
FIRST 2 DIGITS		NEXT 2 DIGITS	NEXT 2 DIGITS	LAST 3 DIGITS
Code	Compressor Product	New Part	Reman Part	Assigned Sequence
14	Sanden	01	91	001
	CCI	02	92	002
	Seltec	03	93	003
	GM -Frigidaire/Harrison	04	94	004
	Ford FS6, FS10, FX15	05	95	005
	ICE	06	96	006
	Mounting Kits & Accessories	07	97	007
	Service Valves	08	98	008
	Caps	09	99	...etc.

Kysor Parts Legend Example:

For Part Number:

1699004

Apply Parts Legend:





Catalog Contents

SECTION 1 APPLICATIONS

MEDIUM & HEAVY DUTY APPLICATIONS	1
Chevrolet/GMC	2
Ford/Sterling	5
Isuzu	7
Sterling	8
Freightliner	13
International	36
Kenworth	57
Mack	83
Peterbilt	99
Volvo	135
Western Star	147

SECTION 2 SPECIFICATIONS

The part sequence listed under each section title identifies the part number ordering per the Kysor New Part Number Legend (shown at the front of this catalog).

BLOWER MOTORS	161
PART SEQUENCE: 10	
Single Shaft Motors	162
Double Shaft Motors	177
Blower Assemblies	181
Condenser Fan Assemblies	187
Booster Pumps	189
BLOWER WHEELS	193
PART SEQUENCE: 11	
Single Entry Wheels	194
Double Entry Blower Wheels	198
DEFROST FANS	201
PART SEQUENCE: 12	
Defrost Fans	202
Fan Blades	209
CLUTCHES	213
PART SEQUENCE: 13	
Single Groove Clutches	214
Double Groove Clutches	216
Multi-Groove Clutches	219
Service Tips	222
COMPRESSORS	223
PART SEQUENCE: 14	
Sanden to Kysor Interchange	224
Sanden Style Compressors	227
A6 Compressors	284
Denso Compressors	285
Seltec/Ice/Valeo Style Compressors	286
York/T/CCI Style Compressors	297
Compressor Mounting Brackets & Seal Kits	302

Pulley & Spacers	302
Service Valves	303
Compressor Service Parts	303
Caps	307

EXPANSION VALVES 309

PART SEQUENCE: 18	
Expansion Valve Specifications	310
Solenoid Valves	312
Block Type Expansion Valves	314
Externally Equalized Expansion Valves	321
Internally Equalized Expansion Valves	323
Cycling Clutch Orifice Tube (CCOT)	324
Service Tips	325

WATER VALVES 327

PART SEQUENCE: 24	
Water Valve Specifications	328
Water Valves	330
Heater Fittings	339
Actuators	341
Control Cables & Assemblies	343
Control Knobs	344
Control Kits & Modules	348
Control Assemblies & Panels	348

CONDENSERS 351

PART SEQUENCE: 15	
Condenser Coils	352
Condenser Mount & Service Kits	372
Multi-Flow Condensers	372
Typical Header Types	373
Service Tips	373

EVAPORATORS 375

PART SEQUENCE: 16	
Evaporator Coils	376
Service Tips	386

HEATER CORES 387

PART SEQUENCE: 17	
Heater Cores	388
Service Tips	402

RECEIVER DRIERS 403

PART SEQUENCE: 19	
Receiver Drier Specifications	404
Receiver Driers	409
Mounting Brackets & Valve Kits	425
Service Tips	426

Catalog Contents



SWITCHES	427	LOUVERS	571
PART SEQUENCE: 20-23		PART SEQUENCE:: 32	
Electrical Switches	428	Rectangle Louvers	572
Pressure Switches	435	Round Louvers	574
Thermostatic Switches	444		
Miscellaneous Switches	447	BUS PRODUCTS	577
Circuit Breakers	450		
Lamps	452		
Linear Power Modules	452	SECTION 3	SYSTEMS
Relays	453		
Relays	454	VEHICLE APPLICATIONS LEGEND	595
Resistors	455		
Resistors	456	BERGSTROM SYSTEMS MATRIX	596
Sensors	457		
Sensors	458	NO-IDLE SYSTEMS	599
		NITE® Phoenix	600
FITTINGS	459	NITE® SSI	602
PART SEQUENCE: 26		NITE® Hawk	604
Aeroquip E-Z Clip Fittings & Hoses	460		
AIR-O-CRIMP Fittings	476	ELECTRIFIED SYSTEMS	607
ATCO Beadlock Fittings	483	DBAC SERIES	608
Hose Crimping Procedures	507	Split 2.0 and 3.0	610
Beadlock Fitting Identification	509		
Burgaflex Fittings	512	BATTERY-OPERATED ROOFTOP SYSTEMS	613
O-Rings	516	Compact 3.0	614
Bulkhead Adapters, Tubing & Drain Hoses	521	Integral Power Manual	616
Ducting, Clamps & Hoses	523		
Accessories	526	ENGINE-DRIVEN ROOFTOP SYSTEMS	619
		Farad	620
SERVICE EQUIPMENT	527	HD-1000 A/C	622
PART SEQUENCE: 29		HD-1000 HVAC	624
Flush & Recharge Equipment	528	KA-300	626
Leak Detection Equipment	529	KA-2000	628
Miscellaneous Service Equipment	530		
		ENGINE-DRIVEN HEADLINER SYSTEMS	631
CHEMICALS & LUBRICANTS	533	KA-400 Slimline	632
PART SEQUENCE: 30		KK-400 Slimline	634
Chemical & Lubricant Specifications	534	KA-500 Hardhat	636
Chemicals	535	KA-7100	638
Lubricants	537	KA-7300	640
		Kelvin A/C	642
KITS & ACCESSORIES	539	Kelvin HVAC	644
PART SEQUENCE: 28, 34		Pascal A/C	646
Retrofit Kit & Adapters	540		
Tools & Accessories	542	ENGINE-DRIVEN BACKWALL SYSTEMS	649
		KA-550 Slimline	650
AIR FILTERS	549	KK-550 Slimline	652
PART SEQUENCE: 31		KK-600 Backpack	654
Air Filter Specifications	550	KA-710 Sidekick	656
Air Filters	555	Vertical Grande A/C	658
Filter/Pressurizers	569	Vertical Grande HVAC	660
		Vertical Piccolo A/C	662



Catalog Contents

CONDENSERS	665	2-Fan Condenser	741
DBC-100	666	3-Fan Condenser	742
KC-90	668	Heater Assemblies	743
KC-110	670		
KC-440	672	SOLAR ENERGY SYSTEMS	747
KC-500	674	12 Cell Solar Panel	748
KC-750	676	24 Cell Solar Panel	749
KC-3000	678	36 Cell Solar Panel	750
		48 Cell Solar Panel	752
HEATERS	681	72 Cell Solar Panel	753
KH-150	682	96 Cell Solar Panel	757
KH-200	684	Solar Energy System Service Parts	759
KH-300	686		
KH-500	688		
KH-900	690		
Pascal Heater	692		
		SECTION 4 REFERENCE	
SYSTEM KIT OPTIONS	695	PART NUMBER CROSS REFERENCE	761
HD-1000, Black Hardware Kit	697		
KA-300, Black Hardware Kit	697	PART NUMBER INDEX	915
KC-90, Black Hardware Kit	697		
KC-110, Black Hardware Kit	697		
Hose Crimper Kit	697		
Kelvin Fascia Options and Brackets	698		
Pascal Fascia Options and Brackets	698		
BERGSTROM ELECTRIFIED SYSTEMS (BES)	699		
F-Series	701		
FFR6 HVAC System	702		
FVF120 Pressurizer System	704		
FVV50 Pressurizer	706		
FVV60 Pressurizer	708		
FVV150 Pressurizer	710		
FVW100 Pressurizer	712		
M-Series	715		
MPV5 HVAC System	716		
MPV9 HVAC System	718		
BES2400	720		
T-Series	723		
TBV6 Hydraulic Compressor	724		
TCR6 Condenser Package	726		
TDR5 HVAC System	728		
TPR6 A/C System	730		
TPW5 HVAC System	732		
SCHOOL BUS SYSTEMS	735		
Front Bulkhead Evaporator unit	736		
Rear Bulkhead Evaporator unit	737		
Dash Evaporator unit	738		
Midship Evaporator unit	739		
Dual Fan Ceiling Evaporator Unit	740		



KYSOR
by Bergstrom.

*Air Conditioning & Heating
Replacement Parts*

Medium & Heavy Duty Applications

Chevrolet/GMC	2
Ford/Sterling	5
Isuzu	7
Sterling	8
Freightliner	13
International	36
Kenworth	57
Mack	83
Peterbilt	99
Volvo	135
Western Star	147

Availability of the products shown in this catalog is subject to change without notice by Bergstrom, Inc. For the most current product information please visit the Kysor distributor website at <https://parts.kysorhvac.com/>.

Chevrolet/GMC

BLOWER MOTORS

YEAR	MODEL	DESCRIPTION	OEM NO.	KYSOR NO.
40-95 SERIES, TOPKICK, KODIAK				
1985-1993	Forward.Tiltmaster	with Kysor A/C Mini Relay	221655	2099013
1983-1985	60-75 Series	Mini Relay(Accessory Feed)	14100455	2099002
80-95 SERIES, BRIGARIES/BRUIN, BISON/GENERAL				
1980-1987	Brigidaier,Bruin	Resistor 3 speed 3 terminal	8865281	2099005
G 10-45 SERIES, EXPRESS, SAVANA				
1998-2007	All Models	Relay-Blower Motor 5 terminal	21997408	2012003

COMPRESSORS

YEAR	MODEL	DESCRIPTION	OEM NO.	KYSOR NO.
40-95 SERIES, TOPKICK, KODIAK				
2004-2009	C60-85 Series	7H15HD with L6,7.2L DI GM-CAT 4400,4547	1913004	1401461
2003-2009	C60-75 Series	7H15HD with V6,7.8l diesel FI,Turbo Sanden#4396	89024914	1410093
2001-2002	C60-75 Series	7H15HD with 7 groove 119mm Diameter 12V SD4362, 4796	4362	1401519
1997-2002	C60-75 Series	7H15HD With V6 7.2L Diesel	15956082	1401450
1997-2002	W4-W7 Series LCF	7H15HD with 732L Diesel #4618	15956082	1401450
1995-1999	C60-75 Series	7 H15HD with 3116 Cat,R134a 7 groove, #SD4618	15956082	1401450
1991-1991	ConventionalSeries 50-75	HR6HE with V8-6.0L 7.0L (exc. TBI)	402722	1403004
1994-2000	C60-75 Series	Compressor Sanden 7803 SD7H15 Ear Mount 125mm 2A groove with V8, 6.0,7.0L, 7.4L Engine	SD7803, 15680077, 15020478	1401202
70-90 SERIES				
1980-1989	80-95 Series	A6 with 4-7/8" Diameter Clutch for Reman Metric use M suffix	1131197, 1131202, 12300270	1404025
G 10-45 SERIES, EXPRESS, SAVANA				
2000-2002	Express / Savan	Sanden OEM Replacement 4390 (HT6 org. model) with 4.3L, 5.0L, 5.7L, 6.5L, 8.1L with 6 groove	1136641, 4390	1401502
P 10-35, P600 SERIES				
1985-1986	P Series	A6 NON-SWITCH TYPE	1131197	1404025
1993-1995	P Series	Compressor Sanden 7H15E 7803 Ear Mountedwith 125mm 2 groove with V8-7.4L Engine	15680077, 15020478	1401202

CONDENSERS

YEAR	MODEL	DESCRIPTION	OEM NO.	KYSOR NO.
40-95 SERIES, TOPKICK, KODIAK				
2003-2009	40-95 Series, Topkick, Kodiak	with 28x16x3/4 with Block Connectors	15112434, 19256531, 15829429	1510020
1998-2001	C40-75 Series	All	52477032	1510018
1984-1993	Tiltmaster, Forward	with Kysor Class Six Unit	401043	1515005
1998-2001	C40-75 Series	Condenser Coil 16" x 30" x 3/4"	52477032	1510018
2003-2009	C45-5500 Series	with 28 x 16 x 3/4 with Block Connectors	15112434, 19256531	1510020

EVAPORATORS

YEAR	MODEL	DESCRIPTION	OEM NO.	KYSOR NO.
C/K 10-35 SERIES, AVALANCHE, SILVERADO				
1996-2000	All Models	Auxiliary A/C C/K -Condensor Mounted (yellow)(orifice)	52477004	1899013

EXPANSION VALVES AND ORIFICE TUBES

YEAR	MODEL	DESCRIPTION	OEM NO.	KYSOR NO.
40-75 SERIES, TOPKICK, KODIAK				
1999-2009	All Models	with CCOT (Orifice Tube) white	3033879, 1650	1810003
C/K 10-35 SERIES, AVALANCHE, SILVERADO				
1976-2000	All Models	with CCOT Orifice Tube-white(exc.97-91 with Cond Orifice)	3033879	1810003
G 10-30 SERIES, EXPRESS, SAVANA				
1990-2010	All Models	Orifice Tube, .072" (black/white)	3096068, 1653	1810002
1991-1997	G-Series	Orifice Tube, .072" (black/white)	3096068, 1653	1810002
1998-2000	All Models	with CCOT, Orifice Tube – white	3033879, 1650	1810003
1990-1997	G-Series	with CCOT (Orifice Tube) white/black	3033879, 1650	1810003
P SERIES				
1991-1997	P Series	Orifice Tube, .072" (black/white)	3096068, 1653	1810002
1990-1997	P Series	with CCOT (Orifice Tube) white/black	3033879, 1650	1810003
R/V 10-35 SERIES				
1991-2000	R/V Series	Orifice Tube, .072" (black/white)	3096068, 1653	1810002
1990-2000	R/V Series	with CCOT (Orifice Tube) white/black	3033879, 1650	1810003

RECEIVER DRIERS/ACCUMULATORS

YEAR	MODEL	DESCRIPTION	OEM NO.	KYSOR NO.
40-75 SERIES, TOPKICK, KODIAK				
1996-2002	C60-75 Series	Accumulator	2724817, 7446	1910002
1990-1993	Forward, Tiltmaster	Forward W with Factory A/C	509632-7740	1999005
80-95 SERIES, BRIGADIER/BRUIN, BISON/GENERAL				
1987-1987	Brigidaier,Bruin	with Kysor HCD Drier	402720	1914016

RELAYS

YEAR	MODEL	DESCRIPTION	OEM NO.	KYSOR NO.
40-75 SERIES				
1990-2000	C 40-75 Series	Relay (behind glove box) 12V 5 terminal	25520198, 14100455	2099002
50-75 SERIES				
1990-1995	C 50-75 Series	A/C Control Relay	14089936	2010010
95 SERIES, TOPKICK, KODIAK				
1998-2009	All Models	Relay – Blower Motor, 5 terminal	21997408	2012003
C/K 10-35 SERIES, AVALANCHE, SILVERADO				
1988-1995	C/K Series	Auxillary Engine Cooling Fan Relay	14089936	2010010

Chevrolet/GMC

RELAYS

YEAR	MODEL	DESCRIPTION	OEM NO.	KYSOR NO.
FORWARD, TILTMASER				
1990-1993	Forward, Tiltmaster	Relay Mini All with Kysor A/C	221655	2099003
G 10-35 SERIES, EXPRESS, SAVANA				
1990-1993	G 30-35 Series	A/C Control Relay	14089936	2010010
1998-2007	All Models	Relay – Blower Motor, 5 terminal	21997408, 12077864	2012003

RESISTORS

YEAR	MODEL	DESCRIPTION	OEM NO.	KYSOR NO.
95 SERIES, TOPKICK, KODIAK				
1998-2009	All Models	Relay – Blower Motor, 5 terminal	21997408	2012003

SWITCHES - PRESSURE

YEAR	MODEL	DESCRIPTION	OEM NO.	KYSOR NO.
40-75 SERIES, TOPKICK, KODIAK				
1994-2002	C60-75 series	Accumulator Pressure Cycling Switch (Black 2 pin)	52466358	2210001
1989-1993	C/K Series	Pressure Cycling Switch NO M12 thread 2 pin	52457853, 3096605	2299022
80-95 SERIES - BRIGADIER/BRUIN, BISON/GENERAL				
All	Forward, Tiltmaster	with Kysor A/C Low Pressure Switch (R12)	404143	2275012
1990-1993	Forward, Tiltmaster	High Pressure – Normally Closed, 300/200psi 1/4" SAE	404141	2275013
1985-1993	Forward, Tiltmaster	High Pressure - Normally Closed, 300/200 psi 1/4" SAE with kysor A/C Low Pressure Switch (r12)	404141, 404143	2275013
C/K 10-35 SERIES, AVALANCHE, SILVERADO				
1994-1997	C/K Series	Accumulator Pressure Cycling Switch (R134a)	52466358, 52464975	2210001
P SERIES				
1994-1995	P 30-35	Pressure Cycling switch. N/O 3/16" Thread, 2 pin	15683829, 12456085	2299002

WATER VALVES

YEAR	MODEL	DESCRIPTION	OEM NO.	KYSOR NO.
40-75 SERIES, TOPKICK, KODIAK				
1986-1993	Tiltmaster, Forward	Forward W7 with Factory A/C	509632-7740	1975004
C/K 10-35 SERIES, AVALANCHE, SILVERADO				
1994-1995	C/K Series	Accumulator (PU & EXT cab)	2724816	1910002
1994-1995	Suburban	with rEar A/C Accumulator	2724817	1910002
1994-1994	C/K Crew Cab/Blazer	Accumulators	2724818	1910002

BLOWER MOTORS

YEAR	MODEL	DESCRIPTION	OEM NO.	KYSOR NO.
CARGO, CF/CFT 600-800				
1990	All Models	with Ford Add-on A/C	D9HZ-18527A	1099006
1990	All Models	with Ford Add-on A/C	EDE6LH-19805-DA	1099048
L-SERIES (LOUISVILLE LINE - L, LA, LN, LNT, LTA, LTL, LTS)				
1990-1991	All Models	High Output Heater or A/C	HD 0001 C8TZ-18527A, E0HZ-18527B, E8HF-19805AA, E9HT-198005AA	1011016
C-SERIES/CARGO CF				
1990-1991	Cargo CF Series	with Kysor A/C	260680	1199009

COMPRESSORS

YEAR	MODEL	DESCRIPTION	OEM NO.	KYSOR NO.
C-SERIES/CARGO CF				
1992-1996	CF600-800 Series	with 8.3L with 2 groove clutch	4603, F4HT-19D629CA	1401106
1992-1996	Cargo CF 600-800	with Sanden SD7H15, 5.9L (with 8 groove clutch)	F4HZ-19703F	1401106
1994-1996	Cargo CF 600-800	with Sanden SD7H15, 5.9L (with 8 groove clutch)	F4HT-19D929AA	1401361
F650/750SD – F600/F800				
2004-2009	F650/750SD	with 8 groove 119mm Diameter (SD4666)	4C4Z-19703DA	1401117
1992-1994	F600-800	with Sanden SD7H15 (#7804) with 8 groove clutch	F4HT19D629AA	1401361
F-SERIES F150/F550SD				
1992-1996	All Models	with 5.9L with 8 groove 119mm Diameter (#7804)	F4HT-19D629AA	1401361
1999-2002	F-Series with Sanden	2 groove 132mm Diameter (4704)	XC3H-19D629AB, N83-304043	1401365
1999-2002	F Series	with Sanden SD 4885 with 8 groove Clutch	SD4885	1401513
L-SERIES (LOUISVILLE LINE – L, LA, LN, LNT, LTA, LTL, LTS)				
1994-1997	L, LN, LNT, LT	with 5H14 #4603 (with 2 groove Clutch)	E4HZ-19703F, F4HT-19D629CA	1401106
1994-1997	L, LN, LNT, LT	with Detroit 60, ISC	F4HZ-19703F, F4HT-19D629CA	1401106
1993-1994	L Series	with Sanden SD5H14HD (R134a)	4510	1401115
All	All Models	with Sanden SD5H14HD (R134a)	4617	1401367

CONDENSERS

YEAR	MODEL	DESCRIPTION	OEM NO.	KYSOR NO.
C-SERIES/CARGO CF				
1990-1991	Cargo CF 600-800	with Kysor A/C	401023	1575001
F650/750SD – F600/FT900				
2000-2003	F650-750SD	All 23 x 28-1/4 (block Pad fittings)	XC3Z-19712CA	1511018
2004-2014	F650-750SD	with 6.7L, 6.8L, 7.2L Engine 19-1/2 x 24	4C4Z-19712EA	1513028

Ford/Sterling

CONDENSERS

YEAR	MODEL	DESCRIPTION	OEM NO.	KYSOR NO.
L-SERIES (LOUISVILLE LINE – L, LA, LN, LNT, LTA, LTL, LTS)				
1994-1997	L, LN, LNT, LT, LTS	with Diesel Engine (21" x 27")	F4HZ-19712A	1511005
1996-1997	L/LT/LLT 85-95	Louisville Series (19" x 37")	F6HZ-19712	1511007

EXPANSION VALVES AND ORIFICE TUBES

YEAR	MODEL	DESCRIPTION	OEM NO.	KYSOR NO.
E-SERIES				
1990-1991	All Models	withoutrange Orifice Tube	F2DZ-19D990A	1899002
1992-2006	All Models	with Red Orifice Tube	F4UZ-19D990A, E59H-19D990AA	1899003
F-SERIES F150/F550SD				
1980-2010	F150/750SD	with Blue Orifice Tube	F5XZ-19D990AB	1811001
1994-2010	F150/550SD	with Red Orifice Tube	F4UZ-19D990A	1899003
L-SERIES (LOUISVILLE LINE – L, LA, LN, LNT, LTA, LTL, LTS)				
1990-1997	All Models	with Blue Orifice Tube	F3XY-19D990A	1811001
1994-1997	All Models	with Red Orifice Tube	E69Z-19D990A, E59H-19D990AA	1899003

RECEIVER DRIERS/ACCUMULATORS

YEAR	MODEL	DESCRIPTION	OEM NO.	KYSOR NO.
F650/750SD – F600/FT900				
1995-1996	F600/800	Accumulator with Diesel (add-on A/C)	F6HH-19E647AA	1911013
1991-1993	All Models	with Accumulator (Spring Lock Fittings)	F1HZ-19C836C	1999014
L-SERIES (LOUISVILLE LINE – L, LA, LN, LNT, LTA, LTL, LTS)				
1996-1997	All Models	Accumulator with charging valve, switch ports	F7HH-19E647AB	1911013
1994-1997	All Models	Accumulator with charging valve, switch ports	F4HH-19E647AA, F4HZ-19C836A	1999004

RESISTORS

YEAR	MODEL	DESCRIPTION	OEM NO.	KYSOR NO.
CARGO, CF/CFT 600-800				
1990-1991	Cargo CF 600-8	Blower Resistor (with Kysor A/C)	220990	2099006

COMPRESSORS

YEAR	MODEL	DESCRIPTION	OEM NO.	KYSOR NO.
F SERIES				
2003-2008	F Series	Sanden SD7 Direct Mount with 7 groove 119mm Diameter Model 4362	8-19130-043-0, 8-89024-914-0, 4796, 4362	1401440

CONDENSERS

YEAR	MODEL	DESCRIPTION	OEM NO.	KYSOR NO.
H SERIES				
2005-2008	H Series	Condenser Coil, 17" x 30-1/4" x 3/4"	15112434, 19256531	1510020

EXPANSION VALVES AND ORIFICE TUBES

YEAR	MODEL	DESCRIPTION	OEM NO.	KYSOR NO.
H SERIES				
2005-2008	All Models	Orifice Tube White .072"	8-03033-879-0	1810003

Sterling

AIR FILTERS

YEAR	MODEL	DESCRIPTION	OEM NO.	KYSOR NO.
ALL OTHER MODELS				
2003-2010	All Models	with 8-1/4" x 8-1/2" x 3/4" Evaporator Filter	VCC36000006	3112012

BLOWER MOTORS

YEAR	MODEL	DESCRIPTION	OEM NO.	KYSOR NO.
ALL OTHER MODELS				
2002-2005	All Models	with flange mount 12V	ABP N83-3010, H5-440-50009	1099063

CLUTCHES - YORK/T/CCI STYLE

YEAR	MODEL	DESCRIPTION	OEM NO.	KYSOR NO.
ALL OTHER MODELS WITH YORK/T/CCI - STYLE COMPRESSOR				
All	All Models with T/CCI	with 6 groove 5-7/8" Diameter	024-25244	1399008

COMPRESSORS

YEAR	MODEL	DESCRIPTION	OEM NO.	KYSOR NO.
5500				
All	All Models	with 2 groove, 132 mm, Ear Mount 2 wires (4469/4603)	F4HT-19D629CA	1401106
All	All Models	with 8 groove, 119mm; MJ Head	22-47692-000, SKI4431	1401120
All	All Models	with 8 groove, 119mm; WH Head (4303/4422/4767)	A22-48973-00, SKI4486, SKI4422	1401353
All	All Models	with 8 groove, 119mm; WJ Head (4305/4427/4718)	XC4H-19D629AA, F6HS-19D629BA	1401355
All	All Models	with 6 groove, 125 mm; GH Head (4430)	SKI4430	1401360
All	All Models	with 8 groove, 119mm; WH Head (4474/7804)	F4HT-19D629AA	1401361
All	All Models	with 6 groove, 125 mm; WJ Head (4810/4304/4423)	SKI8410, SKI4423	1401377
All	All Models	with 8 groove, 140 mm; GH Head	SKI4543S	1401396
All	All Models	with 8 groove, 119mm MJA Head, Direct Mount	SKI4482	1401399
All	All Models	with 8 groove, 119mm, Direct Mount, 2 wires (4410)	SKI4410S	1401421
All	All Models	with 8 groove, 119mm; WH Head 3 wires, SPRHD (4025)	N83-304523S	1401442
All	All Models	with 8 groove, 130mm MJA Head, Direct Mount	SKI4885	1401513
All	All Models with T/CCI	with T/CCI (York/T/CCI Style) without clutch	ET210L25150, F7HS-19D629AA	1402002
6500				
All	All Models	with 2 groove, 132 mm, Ear Mount 2 wires (4469/4603)	F4HT-19D629CA	1401106
All	All Models	with 8 groove, 119mm; MJ Head	22-47692-000, SKI4431	1401120
All	All Models	with 8 groove, 119mm; WH Head (4303/4422/4767)	A22-48973-00, SKI4486, SKI4422	1401353

COMPRESSORS

YEAR	MODEL	DESCRIPTION	OEM NO.	KYSOR NO.
All	All Models	with 8 groove, 119mm; WJ Head (4305/4427/4718)	XC4H-19D629AA, F6HS-19D629BA	1401355
All	All Models	with 6 groove, 125 mm; GH Head (4430)	SKI4430	1401360
All	All Models	with 8 groove, 119mm; WH Head (4474/7804)	F4HT-19D629AA	1401361
All	All Models	with 6 groove, 125 mm; WJ Head (4810/4304/4423)	SKI8410, SKI4423	1401377
All	All Models	with 8 groove, 140 mm; GH Head	SKI4543S	1401396
All	All Models	with 8 groove, 119mm MJA Head, Direct Mount	SKI4482	1401399
All	All Models	with 8 groove, 119mm, Direct Mount, 2 wires (4410)	SKI4410S	1401421
All	All Models	with 8 groove, 119mm; WH Head 3 wires, SPRHD (4025)	N83-304523S	1401442
All	All Models	with 8 groove, 130mm MJA Head, Direct Mount	SKI4885	1401513
All	All Models with T/CCI	with T/CCI (York/T/CCI Style) without clutch	ET210L25150, F7HS-19D629AA	1402002
7500				
All	All Models	with 2 groove, 132 mm, Ear Mount 2 wires (4469/4603)	F4HT-19D629CA	1401106
All	All Models	with 8 groove, 119mm; MJ Head	22-47692-000, SKI4431	1401120
All	All Models	with 8 groove, 119mm; WH Head (4303/4422/4767)	A22-48973-00, SKI4486, SKI4422	1401353
All	All Models	with 8 groove, 119mm; WJ Head (4305/4427/4718)	XC4H-19D629AA, F6HS-19D629BA	1401355
All	All Models	with 6 groove, 125 mm; GH Head (4430)	SKI4430	1401360
All	All Models	with 8 groove, 119mm; WH Head (4474/7804)	F4HT-19D629AA	1401361
All	All Models	with 6 groove, 125 mm; WJ Head (4810/4304/4423)	SKI8410, SKI4423	1401377
All	All Models	with 8 groove, 140 mm; GH Head	SKI4543S	1401396
All	All Models	with 8 groove, 119mm MJA Head, Direct Mount	SKI4482	1401399
All	All Models	with 8 groove, 119mm, Direct Mount, 2 wires (4410)	SKI4410S	1401421
All	All Models	with 8 groove, 119mm; WH Head 3 wires, SPRHD (4025)	N83-304523S	1401442
All	All Models	with 8 groove, 130mm MJA Head, Direct Mount	SKI4885	1401513
All	All Models with T/CCI	with T/CCI (York/T/CCI Style) without clutch	ET210L25150, F7HS-19D629AA	1402002
8500				
All	All Models	with 2 groove, 132 mm, Ear Mount 2 wires (4469/4603)	F4HT-19D629CA	1401106
All	All Models	with 8 groove, 119mm; MJ Head	22-47692-000, SKI4431	1401120
All	All Models	with 8 groove, 119mm; WH Head (4303/4422/4767)	A22-48973-00, SKI4486, SKI4422	1401353
All	All Models	with 8 groove, 119mm; WJ Head (4305/4427/4718)	XC4H-19D629AA, F6HS-19D629BA	1401355
All	All Models	with 6 groove, 125 mm; GH Head (4430)	SKI4430	1401360



Sterling

COMPRESSORS

YEAR	MODEL	DESCRIPTION	OEM NO.	KYSOR NO.
All	All Models	with 8 groove, 119mm; WH Head (4474/7804)	F4HT-19D629AA	1401361
All	All Models	with 6 groove, 125 mm; WJ Head (4810/4304/4423)	SKI8410, SKI4423	1401377
All	All Models	with 8 groove, 140 mm; GH Head	SKI4543S	1401396
All	All Models	with 8 groove, 119mm MJA Head, Direct Mount	SKI4482	1401399
All	All Models	with 8 groove, 119mm, Direct Mount, 2 wires (4410)	SKI4410S	1401421
All	All Models	with 8 groove, 119mm; WH Head 3 wires, SPRHD (4025)	N83-304523S	1401442
All	All Models	with 8 groove, 130mm MJA Head, Direct Mount	SKI4885	1401513
All	All Models with T/CCI	with T/CCI (York/T/CCI Style) without clutch	ET210L25150, F7HS-19D629AA	1402002
A / AT				
All	All Models	with 2 groove, 132 mm, Ear Mount 2 wires (4469/4603)	F4HT-19D629CA	1401106
All	All Models	with 8 groove, 119mm; MJ Head	22-47692-000, SKI4431	1401120
All	All Models	with 8 groove, 119mm; WH Head (4303/4422/4767)	A22-48973-00, SKI4486, SKI4422	1401353
All	All Models	with 8 groove, 119mm; WJ Head (4305/4427/4718)	XC4H-19D629AA, F6HS-19D629BA	1401355
All	All Models	with 6 groove, 125 mm; GH Head (4430)	SKI4430	1401360
All	All Models	with 8 groove, 119mm; WH Head (4474/7804)	F4HT-19D629AA	1401361
All	All Models	with 6 groove, 125 mm; WJ Head (4810/4304/4423)	SKI8410, SKI4423	1401377
All	All Models	with 8 groove, 140 mm; GH Head	SKI4543S	1401396
All	All Models	with 8 groove, 119mm MJA Head, Direct Mount	SKI4482	1401399
All	All Models	with 8 groove, 119mm, Direct Mount, 2 wires (4410)	SKI4410S	1401421
All	All Models	with 8 groove, 119mm; WH Head 3 wires, SPRHD (4025)	N83-304523S	1401442
All	All Models	with 8 groove, 130mm MJA Head, Direct Mount	SKI4885	1401513
All	All Models with T/CCI	with T/CCI (York/T/CCI Style) without clutch	ET210L25150, F7HS-19D629AA	1402002
ACTERRA				
All	All Models	with 2 groove, 132 mm, Ear Mount 2 wires (4469/4603)	F4HT-19D629CA	1401106
All	All Models	with 8 groove, 119mm; MJ Head	22-47692-000, SKI4431	1401120
All	All Models	with 8 groove, 119mm; WH Head (4303/4422/4767)	A22-48973-00, SKI4486, SKI4422	1401353
All	All Models	with 8 groove, 119mm; WJ Head (4305/4427/4718)	XC4H-19D629AA, F6HS-19D629BA	1401355
All	All Models	with 6 groove, 125 mm; GH Head (4430)	SKI4430	1401360
All	All Models	with 8 groove, 119mm; WH Head (4474/7804)	F4HT-19D629AA	1401361

COMPRESSORS

YEAR	MODEL	DESCRIPTION	OEM NO.	KYSOR NO.
All	All Models	with 6 groove, 125 mm; WJ Head (4810/4304/4423)	SKI8410, SKI4423	1401377
All	All Models	with 8 groove, 140 mm; GH Head	SKI4543S	1401396
All	All Models	with 8 groove, 119mm MJA Head, Direct Mount	SKI4482	1401399
All	All Models	with 8 groove, 119mm, Direct Mount, 2 wires (4410)	SKI4410S	1401421
All	All Models	with 8 groove, 119mm; WH Head 3 wires, SPRHD (4025)	N83-304523S	1401442
All	All Models	with 8 groove, 130mm MJA Head, Direct Mount	SKI4885	1401513
All	All Models with T/CCI	with T/CCI (York/T/CCI Style) without clutch	ET210L25150, F7HS-19D629AA	1402002
L- LINE				
All	All Models	with 2 groove, 132 mm, Ear Mount 2 wires (4469/4603)	F4HT-19D629CA	1401106
All	All Models	with 8 groove, 119mm; MJ Head	22-47692-000, SKI4431	1401120
All	All Models	with 8 groove, 119mm; WH Head (4303/4422/4767)	A22-48973-00, SKI4486, SKI4422	1401353
All	All Models	with 8 groove, 119mm; WJ Head (4305/4427/4718)	XC4H-19D629AA, F6HS-19D629BA	1401355
All	All Models	with 6 groove, 125 mm; GH Head (4430)	SKI4430	1401360
All	All Models	with 8 groove, 119mm; WH Head (4474/7804)	F4HT-19D629AA	1401361
All	All Models	with 6 groove, 125 mm; WJ Head (4810/4304/4423)	SKI8410, SKI4423	1401377
All	All Models	with 8 groove, 140 mm; GH Head	SKI4543S	1401396
All	All Models	with 8 groove, 119mm MJA Head, Direct Mount	SKI4482	1401399
All	All Models	with 8 groove, 119mm, Direct Mount, 2 wires (4410)	SKI4410S	1401421
All	All Models	with 8 groove, 119mm; WH Head 3 wires, SPRHD (4025)	N83-304523S	1401442
All	All Models	with 8 groove, 130mm MJA Head, Direct Mount	SKI4885	1401513
All	All Models with T/CCI	with T/CCI (York/T/CCI Style) without clutch	ET210L25150, F7HS-19D629AA	1402002
SILVERSTAR				
All	All Models	with 2 groove, 132 mm, Ear Mount 2 wires (4469/4603)	F4HT-19D629CA	1401106
All	All Models	with 8 groove, 119mm; MJ Head	22-47692-000, SKI4431	1401120
All	All Models	with 8 groove, 119mm; WH Head (4303/4422/4767)	A22-48973-00, SKI4486, SKI4422	1401353
All	All Models	with 8 groove, 119mm; WJ Head (4305/4427/4718)	XC4H-19D629AA, F6HS-19D629BA	1401355
All	All Models	with 6 groove, 125 mm; GH Head (4430)	SKI4430	1401360
All	All Models	with 8 groove, 119mm; WH Head (4474/7804)	F4HT-19D629AA	1401361
All	All Models	with 6 groove, 125 mm; WJ Head (4810/4304/4423)	SKI8410, SKI4423	1401377
All	All Models	with 8 groove, 140 mm; GH Head	SKI4543S	1401396



Sterling

COMPRESSORS

YEAR	MODEL	DESCRIPTION	OEM NO.	KYSOR NO.
All	All Models	with 8 groove, 119mm MJA Head, Direct Mount	SKI4482	1401399
All	All Models	with 8 groove, 119mm, Direct Mount, 2 wires (4410)	SKI4410S	1401421
All	All Models	with 8 groove, 119mm; WH Head 3 wires, SPRHD (4025)	N83-304523S	1401442
All	All Models	with 8 groove, 130mm MJA Head, Direct Mount	SKI4885	1401513
All	All Models with T/CCI	with T/CCI (York/T/CCI Style) without clutch	ET210L25150, F7HS-19D629AA	1402002

CONDENSERS

YEAR	MODEL	DESCRIPTION	OEM NO.	KYSOR NO.
360				
2002-2005	360	with 23-1/4" x 28" x 7/8"	6C3Z-19712AA	1518011
380SJ				
2002-2005	380SJ	with 23-1/4" x 28" x 7/8"	6C3Z-19712AA	1518011
ALL OTHER MODELS				
1998-2003	All Models	with 19" x 37-1/4" x 3/4"	F6HZ-19712A	1511007
2003-2005	All Models	with 30-1/2" x 15-5/8" x 1"	VAB1210364, VAL1210364	1511019
2004-2006	All Models	with 24-7/8" x 20" x 5/8"	BHT-87164	1511020
2004-2006	All Models	with 20" x 25" x 5/8" (2) MIO #8 Fittings	BHT-80319	1511023
All	All Models	with 20" x 25" x 3/4" (2) #8 MIO Fittings	BHTE4698	1511023
2006-2008	All Models	with 31-1/2" x 19" x 5/8"	1E5864, BHT79465	1512015
2008-2010	All Models	with 27"-1/4" x 19" x 5/8"	22-62271-000	1512025

EXPANSION VALVES AND ORIFICE TUBES

YEAR	MODEL	DESCRIPTION	OEM NO.	KYSOR NO.
ALL OTHER MODELS				
1998-2010	All Models	with FFOT (Blue Orifice)	XC4H-19D990AA, F3XY-19D990A	1811001
1998-2005	All Models	Red Orifice	E69Z-19D990A, E59H-19D990AA	1899003

RECEIVER DRIERS/ACCUMULATORS

YEAR	MODEL	DESCRIPTION	OEM NO.	KYSOR NO.
ALL OTHER MODELS				
2000-2010	All Models	Accumulator, charging valve, switch ports	4C4H-19C808AA	1911013

AIR FILTERS

YEAR	MODEL	DESCRIPTION	OEM NO.	KYSOR NO.
108SD (SEVERE DUTY-VOCATIONAL)				
2012-2015	108SD	8-3/8" x 8-5/8" x 1"	VCC36000006	3112012
114SD (SEVERE DUTY-VOCATIONAL)				
2012-2015	114SD	8-3/8" x 8-5/8" x 1"	VCC36000006	3112012
ALL OTHER MODELS				
2002	All Models	8-5/8"x7-5/8"x3/4"	BOA80-319-00-159	3112001
All	All Models	8-7/8"x9"x1/4 framed filter – mesh	65-00193-00	3199025
2002-2006	All Models	10-1/2" x 10-1/2" x 3/4"	22-44665-000	3112006
CASCADIA (INCL. EVOLUTION)				
2008-2015	Cascadia	10-5/8" x 10-5/8" x 1" (under hood)	BOA91559	3112007
CENTURY CLASS				
2008-2015	Century	10-5/8" x 10-5/8" x 1" (under hood)	BOA91559	3112007
2003-2015	Century	6-1/4"x7-7/8"x3/4"	BOA91595	3112009
COLUMBIA				
2008-2015	Columbia	10-5/8" x 10-5/8" x 1" (under hood)	BOA91559	3112007
2003-2015	Columbia	6-1/4"x7-7/8"x3/4"	BOA91595	3112009
2003-2015	Columbia	10" x 5-1/8" x 1/2"	BOA91621, FR0502P	3112010
CORONADO				
2003-2015	Coronado	6-1/4"x7-7/8"x3/4	BOA91595	3112009
2003-2015	Coronado	10" x 5-1/8" x 1/2"	BOA91621, FR0502P	3112010
2003-2015	Coronado	10-5/8" x 10-5/8" x 1" (under hood)	BOA91559	3118003
M2 BUSINESS CLASS				
2003-2015	M2 Business Class	8-3/8" x 8-5/8" x 1"	VCC36000006	3112012

BLOWER MOTORS

YEAR	MODEL	DESCRIPTION	OEM NO.	KYSOR NO.
BUSINESS CLASS M2 100 - 112V				
2002-2003	All Models	All Main Unit (Behr)	BOA94350	1012016
CENTURY CLASS				
1996-2002	C112, C120	All Main Unit with 12V CCW – Assembly	ABPN83-301137, BOA80-415-00-789, 2809-850-053	1012006
1996-1999	C112, C120	All Models with Behr Sleeper Unit with housing & motor	BOA80-414-00-149	1012010
2002-2015	All Models	Front and Auxiliary with blend air system	BOA94350, BOAD8587	1012016
2000-2004	C112, C120	Assembly for Sleeper Unit	BOA85-205-50-009-00	1099063
2002-2004	C112, C120	Auxiliary Unit with water valve system (Behr)	BOA85-462-50-009, ABPN83-301327, 2809-841-036	1099064
06/02-2015	All Models	Front and Auxiliary, with blend air system withoutE	BOA94350	1012016
CLASSIC XL				
2013	All Models	Front and Auxiliary with blend air system	BOAD8587	1099063

Freightliner

BLOWER MOTORS

YEAR	MODEL	DESCRIPTION	OEM NO.	KYSOR NO.
1991-2001	Classic XL	All without E type motor and blower wheel	N83-301017, BOA85-440-50-509, HA1870	1099063
2002-2010	All Models	Auxiliary Unit with water valve system (Behr)	BOA85-462-50-009	1099064
1989-1993	FLC, FLT	All with Main Unit – 12V CCW	N83-301361, A22-21403-001	1099022
1978-1988	FLC, FLT, FLD	All Main Unit with Red Dot, single shaft	N83-301361, A22-21403-001, HA1060	1099022
COLUMBIA				
1996-2002	Columbia	All Main Unit with 12V CCW – Assembly	ABPN83-301137, BOA80-415-00-789, 2809-850-053	1012006
1996-1999	Columbia	All Models with Behr Sleeper Unit with housing & motor	BOA80-414-00-149	1012010
2002-2015	All Models	Front and Auxiliary with blend air system	BOA94350, BOAD8587	1012016
2000-2004	Columbia	Assembly for Sleeper Unit	BOA85-205-50-009-00	1099063
2002-2004	Columbia	Auxiliary Unit with water valve system (Behr)	BOA85-462-50-009, ABPN83-301327, 2809-841-036	1099064
06/02-2015	All Models	Front and Auxiliary, with blend air system without E	BOA94350	1012016
CORONADO				
2003-2015	Coronado	Front and Auxiliary with blend air system	BOA94350	1012016
FL50, 60, 70				
2002-2003	All Models	All Main Unit (Behr)	BOA94350	1012016
1994-2003	FL Series	All without E type motor and blwr wheel	ABPN83-301017, BOA85-440-50-009, HA1870	1099063
FLD SERIES				
1990-1993	FLC, FLT	All with Main Unit – 12V CCW	N83-301361, A22-21403-001	1099022
2013	All Models	Front and Auxiliary with blend air system	BOAD8587	1099063
1990-1993	FLA, FLC, FLD	All without E type motor and blower wheel	N83-301017, BOA85-440-50-509, HA1870	1099063
1991-2001	FLD112, 120	All without E type motor and blower wheel	N83-301017, BOA85-440-50-509, HA1870	1099063
2002-2010	All Models	Auxiliary Unit with water valve system (Behr)	BOA85-462-50-009	1099064
1989-1993	FLC, FLT	All with Main Unit – 12V CCW	N83-301361, A22-21403-001	1099022
1978-1988	FLC, FLT, FLD	All Main Unit with Red Dot, single shaft	ABPN83-301361, A22-21403-001, HA1060	1099022
SLEEPER UNITS				
1990-1997	Sleeper Unit	All with Red Dot Sleeper Unit (R4190-0)	ABPN83-301121, HA1075, RD5-6531-0	1012009
1996-1999	Sleeper Unit	Blower Motor 12V, 1 speed	ABPN83-301147, BOA80-414-00-149	1012010

BLOWER MOTORS

YEAR	MODEL	DESCRIPTION	OEM NO.	KYSOR NO.
2002-2010	All Models	Front and Auxiliary with blend air system	BOA94350, BOAD8587	1012016
1991-1999	FLN, FLT	All Models with Behr Sleeper Unit; with wheel	ABPN83-301527, BOA85-462-50-009	1099064
2002-2010	All Models	Auxiliary Unit with Water valve system	BOA85-462-50-009, ABPN83-301527, ABPN83-301327, 2809-841-036	1099064
1989-1997	Sleeper Unit	All with Red Dot Sleeper Unit (R4290-0)	2819-540-022, ABPN83-301411, HA1050, RD5-6531-0	1012009

CLUTCHES - YORK/T/CCI STYLE

YEAR	MODEL	DESCRIPTION	OEM NO.	KYSOR NO.
ALL OTHER MODELS WITH YORK/T/CCI - STYLE COMPRESSOR				
All	All Models	2 groove 6" Diameter with diode wire Metripack terminal.	024-25238, ABPN83-303063	1380002
All	All Models	8 groove 5-3/8" Diameter 1 wire	ABPN83-303017	1380006
All	All Models	2 groove 6" Diameter with diode less weath	00C332639, 03-1104973, 332639	1313005
All	All Models	1 groove 6 3/4" Diameter (2 3/4 mounting distance) 1 wire	A22-11671, WAL11411-70, 10586, 10595, 502740, 502745	1312001
All	All Models	6 groove 6" Diameter , 1 wire, front forward	024-2514, ABPN83-303107	1312002
All	All Models	6 groove 5.8" Diameter 2 wires, Metripack	024-25241, ABPN83-303127	1380004
All	All Models	2 groove 6" Diameter with diode & Weatherpack terminal	024-21590, 03-1104973, 520636, ABPN83-303022	1380001
All	All Models	6 groove 5 7/8" Diameter , 1 wire	00C18414, ABPN83-303007, 14194, 520226	1380005
All	All Models	8 groove 6-5/16" Diameter , 2 wires Withoute	024-25247, ABPN83-303123	1380006
All	All Models	8 groove 5 3/8" Diameter , 1 wire	ABPN83-303107	1380007
All	All Models	2 groove 6" Diameter with diode & 2 wires Metripack terminal	024-25238, ABPN83-303063	1380002
All	All Models	6 groove 6" Diameter , 2 wires, front forward	024-25244, 14432, ABPN83-303167	1399008
All	All Models	1 groove 7 5/16" Diameter	A22-10761, 10761, 520453	1399027
All	All Models	6 groove 5-7/8" Diameter 1 wire	024-25241, ABPN83-303127	1380004
ALL OTHER MODELS WITH SANDEN - STYLE COMPRESSOR				
All	SD7H15HD	2 groove 5-1/4" Diameter (4626)	6511-6010, ABPM83-303482	1399041
All	SD7H15HD	2 groove 5-1/4" Diameter (4639)	6511-6210	1399041
All	SD7H15HD	2 groove 5-1/4" Diameter (4646/4647)	6504-6310, ABPN83-303407	1399041
All	SD7H15HD	6 groove, 125mm 2 wires (spline shaft)	4424-9931, 4756-9931	1399041

Freightliner

COMPRESSORS

YEAR	MODEL	DESCRIPTION	OEM NO.	KYSOR NO.
108SD (SEVERE DUTY-VOCATIONAL)				
2012-2015	108SD	with 8 groove 140 mm Diameter , 2 wires, 10S15C Denso	22-65770-000	1440001
2012-2015	108SD	with 8 groove 140 mm, Direct Mount (Sanden 4802)	SKI 4802S	1401438
114SD (SEVERE DUTY-VOCATIONAL)				
2012-2015	114SD	with 8 groove 140mm, Direct Mount (Sanden 4802)	SKI 4802S	1401438
2012-2015	114SD	with 8 groove 140mm Diameter , 2 wires, 10S15C Denso	22-65770-000	1440001
ALL OTHER MODELS WITH DENSO - STYLE COMPRESSORS				
2011-2015	All Models	with 6 groove 1635mm 644" Diameter , 2 wires, 10S15C Denso (can also use Sanden Compressor #)	22-65772-000	1441002
2011-2015	All Models	with 8 groove 1635mm 644" Diameter , 2 wires, 10S15C Denso (can also use Sanden Compressor #1401501)	22-65771-000	1440002
ALL OTHER MODELS WITH SANDEN - STYLE COMPRESSORS				
All	All Models	with 2 groove 132 mm (S 60, Cum-ISC) #4626	ABPN83-304095, SKI 4626	1401107
All	All Models	with 8 groove 119mm, Direct Mount, 1 wire #4667	ABPN83-304113	1401117
All	All Models	with 8 groove 119mm (Cat 210/230/250) #7822	ABPN83-304343	1401120
All	All Models	with 8 groove 119mm (Cat3126) #4820	SKI 4820	1401340
All	All Models	with 2 groove 132 mm, Direct Mount, KCA Head (4428, 4306)	ABPN83-304583, SKI 4428	1401356
All	All Models	with 2 groove 132 mm (ISB, ISC, N14) #4821,#4429	ABPN83-304133, SKI 4821	1401359
All	All Models	with 6 groove 125 mm (C10/12 3406e,ISM, ISX) #4819	SKI 4819	1401360
All	All Models	with 2 groove 132 mm (S 60) #4617	ABPN83-304303	1401367
All	All Models	with 8 groove 140 mm, Direct Mount,GH Head (4543)	SKI 4543	1401396
All	All Models	with 8 groove 119mm (Mer 906LA/Ser 60) #4776,#4421	SKI 4776	1401399
All	All Models	with 6 groove 125 mm (C10/12 3406e,ISM, ISX), Heavy Duty version (4549)	SKI 4819S	1401410
All	All Models	with 10 groove 126 mm, Direct Mount (4377)	SKI 4377	1401414
All	All Models	with 8 groove 119mm Direct Mount, 2 wires	4083, 4548 SD 4548	1401418
All	All Models	with 10 groove 126 mm, Direct Mount (4804)	SKI 4804S	1401419
All	All Models	with 8 groove 119mm, Direct Mount, WJ Head (4307)	SKI 4307	1401421
All	All Models	with 10 groove 126 mm, Direct Mount (4088)	SKI 4381S	1401425
All	All Models	with 8 groove 119mm (Mer 906LA/Ser 60), Heavy Duty version	4417S SD 4352	1401428
All	All Models	with 8 groove 140 mm, Direct Mount (4802)	SKI 4802S, 22-65917-000	1401438
All	All Models	with 8 groove 119mm, Direct Mount, 3 wires #4025	ABPN83-304523S	1401442

COMPRESSORS

YEAR	MODEL	DESCRIPTION	OEM NO.	KYSOR NO.
All	All Models	with 8 groove 119mm, Direct Mount, 2 wires #4020	22-64074-000	1401498
All	All Models	with 8 groove 160 mm, Direct Mount (4099)	22-65918-000	1401501
All	All Models	with 8 groove 160 mm, Direct Mount (4098)	22-65919-000	1401501
All	All Models	with 8 groove 130mm, Direct Mount, (4885)	SKI 4885	1401513
All	All Models	Sanden with 2 groove 132 mm (Mer366, Cum-C) #4646	22-41180-000	1401111
All	All Models	Sanden with 2 groove 132 mm (C 8.3) #4647, 4644, 4646, 4647	22-41179-000	1401115
All	All Models	Sanden with 8 groove 119mm (C3126, Mer 336) #4672	22-43374-000	1401118
All	All Models	Sanden with 6 groove 125 mm (S 55) #4687	22-44462-000	1401119
All	All Models	Sanden with 8 groove 119mm (C3126, Mer 336) #4734	22-47692-000	1401120
All	All Models	Sanden with 2 groove 132 mm (Mer366, ISC) #4735 22-47691-000	22-47691-000	1401121
All	All Models	Sanden with 2 groove 132 mm (C8.3, M11, S60) #4736	22-47690-000	1401122
All	All Models	Sanden with 2 groove 132 mm (S 60) #4752	22-47694-000	1401125
All	All Models	Sanden with 6 groove 125 mm (S 55) #4756	22-47693-000	1401126
All	All Models	Sanden 4761 with 6 groove 125 mm (Argosy 3/99-up)	22-48437-000, 4761	1401127
All	All Models	Sanden with 8 groove 119mm, Direct Mount, MDA Head	4808	1401420
All	All Models	Sanden with 2 groove 132 mm, 24 Volt, Direct Mount, JD Head #	4325	1401504
ARGOSY COE				
1999-2009	Argosy COE	with 6 groove 125 mm, ISX Engine, #SD4761	22-48437-000	1401127
3/1999-2009	Argosy COE	with 6 groove 125mm, ISX Engine, #SD4761	22-48437-000	1410092
BUSINESS CLASS M2				
2011-2015	M2	with 8 groove 140 mm Diameter , 2 wires, 10S15C Denso	22-65770-000	1440001
2011-2015	All Models	with 8 groove 1635 mm 6.44" Diameter , 2 wires, 10S15C Denso	22-65771-000	1440002
2008-2011	M2	with 8 groove 119mm, Direct Mount PK	SKI4314S	1401460
2003-2011	M2	with 8 groove 119mm (Mer906LA/Ser 60) #4818,# 4417	SKI4818	1410007
CASCADIA (INCL. EVOLUTION)				
2011-2015	All Models	with 8groove 163.5mm 6.44" Diameter , 2 wires, 10S15C Denso	22-65771-000	1440002
2011-2015	All Models	with 6 groove 163.5mm 6.44" Diameter , 2 wires, 10S15C Denso	22-65772-000	1440003
2008-2009	All Models	with 8 groove 140 mm, Direct Mount, GH Head (4543)	SKI 4543	1401396
2008-2009	All Models	with 8 groove 119mm, Direct Mount, PK Head (4314)	SKI 4314S	1401460

Freightliner

COMPRESSORS

YEAR	MODEL	DESCRIPTION	OEM NO.	KYSOR NO.
2009-2009	All Models	with 8 groove 140mm, Direct Mount, GH Head (4543)	SKI 4543	1410099
CENTURY CLASS				
2002-2007	All Models	with 6 groove 125mm (C10/12 3406e, ISM, ISX) #4819	SKI 4819	1401360
2009-2011	All Models	with 8 groove 140 mm, Direct Mount (4802)	SKI 4802S, 22-65917-000	1401438
2008-2008	All Models	with 8 groove 119mm, Direct Mount, PK Head (4314) with OE	SKI 4314S	1401460
2002-2007	All Models	with 8 groove 119mm (Mer906LA/Ser 60) #4818,# 4417	SKI 4818	1410007
CLASSIC, XL				
2009-2011	All Models	with 8 groove 140mm, Direct Mount (4802)	SKI 4802S	1412010
2002-2007	All Models	with 8 groove 119mm (Mer906LA/Ser 60) #4818,# 4417	SKI 4818	1410007
2002-2007	All Models	with 6 groove 125mm (C10/12 3406e, ISM, ISX) #4819	SKI 4819	1401360
2009-2011	All Models	with 8 groove 140 mm, Direct Mount (4802)	SKI 4802S, 22-65917-000	1401438
COLUMBIA				
2008-2010	Columbia	with 8 groove 140 mm, Direct Mount, GH Head (4543)	SKI 4543	1401396
2002-2015	Columbia	with 8 groove 119mm (Mer906LA/Ser 60) #4818,# 4417	SKI 4818	1410007
2008-2012	Columbia, Coronado	with 8 groove 119mm, Direct Mount, PK Head (4314)	SKI 4314S	1401460
2008-2010	Columbia	with 8 groove 140mm Direct Mount, GH Hd, (4543)	SKI 4543	1410099
2002-2007	Columbia	with 6 groove 125mm (C10/12 3406e, ISM, ISX) #4819	SKI 4819	1410026
CORONADO				
2011-2015	Coronado	with 6 groove 163.5mm 6.44" Diameter , 2 wires, 10S15C Denso	22-65772-000	1440003
2002-2015	Coronado	with 8 groove 119mm (Mer906LA/Ser 60) #4818,# 4417	SKI 4818	1410007
2008-2012	Columbia, Coronado	with 8 groove 119mm, Direct Mount, PK Head (4314)	SKI 4314S	1401460
SPRINTER				
All	All Models	with 2 groove 125mm (S55) #4687	22-44462-000	1401119
All	All Models	with 2 groove 132mm (All) #4644, 4647	4464, 4647	1410016
All	All Models	with 2 groove 132mm (All) #4646	4646	1410015
All	All Models	with 2 groove 132mm (C 8.3) #4647	22-41179-000	1410016
All	All Models	with 2 groove 132mm (C 8.3, M11, S60) #4736	22-47690-000	1410008
All	All Models	with 2 groove 132mm (ISB, ISC, N14) #4821	SKI 4821	1401341
All	All Models	with 2 groove 132mm (ISB, ISC, N14) #4821, #4429	ABPN83-304133	1401341
All	All Models	with 2 groove 132mm (Mer366, Cum-C) #4646	22-41180-000	1410015
All	All Models	with 2 groove 132mm (Mer366, ISC) #4735	22-47691-000	1410005

COMPRESSORS

YEAR	MODEL	DESCRIPTION	OEM NO.	KYSOR NO.
All	All Models	with 2 groove 132mm (S 60) #4617	ABPN83-304303	1401367
All	All Models	with 2 groove 132mm (S 60) #4752	22-47694-000	1410018
All	All Models	with 2 groove 132mm, (S 60, Cum-ISC) #4626	ABPN83-304095, SKI 4626	1410013
All	All Models	with 2 groove 132mm, Direct Mount, KCA Head (4428, 4306)	ABPN83-304583, SKI 4428	1410001
All	All Models	with 2 groove 132mm, 24 volt, Direct Mount, JD Head #4325	4325	1401504
All	All Models	with 6 groove 125mm, (Argosy 3/99-up) #4761	22-48437-000	1401127
All	All Models	with 6 groove 125mm, (S 55) #4687	22-44462-000	1401119
All	All Models	with 6 groove 125mm, (S 55) #4756	22-47693-000	1401126
All	All Models	with 6 groove 125mm, (C10/12 3406e, ISM, ISX) #4819	SKI 4819	1410026
All	All Models	same as above, Heavy Duty version (4549)	SKI 4430S	1401410
All	All Models	with 8 groove 119mm (C3126, Mer 336) #4672	22-43374-000	1412003
All	All Models	with 8 groove 119mm (C3126, Mer 336) #4734	22-47692-000	1410006
All	All Models	with 8 groove 119mm Direct Mount, 1 wire #4667	ABPN83-304113	1401117
All	All Models	with 8 groove 119mm Direct Mount, 2 wires #4020	22-64074-000	1401498
All	All Models	with 8 groove 119mm Direct Mount, 3 wire #4025	ABPN83-304523S	1401442
All	All Models	with 8 groove 119mm (Cat 210/230/250) #7822	ABPN83-304343	1412002
All	All Models	with 8 groove 119mm Direct Mount, 2 wires #4083, 4548	SD 4548	1410100
All	All Models	with 8 groove 119mm Direct Mount, WJ Hd (4307)	SKI 4307	1410074
All	All Models	with 8 groove 119mm Direct Mount, PK Hd (4314)	SKI 4314S	1401460
All	All Models	with 8 groove 119mm (Mer906LA/Ser 60) #4776, #4421	SKI 4776	1410023
All	All Models	with 8 groove 119mm Direct Mount, MDA Hd (4808)	SKI 4808	1401420
All	All Models	with 8 groove 119mm (Mer906LA/Ser 60) #4818, #4417	SKI 4818	1410007
All	All Models	same as above, Heavy Duty version #4417S	SD 4352	1401428
All	All Models	with 8 groove 119mm (CAT 3126) #4820	SKI 4820	1401340
All	All Models	with 8 groove 130mm Direct Mount, (4885)	SKI 4885	1401513
All	All Models	with 8 groove 140mm Direct Mount, GH Hd (4543)	SKI 4543	1401396
All	All Models	with 8 groove 140mm Direct Mount, (4802)	SKI 4802S	1401438
All	All Models	with 8 groove 160mm Direct Mount, (4099)	22-65918-000	1401501
All	All Models	with 10 groove 126mm Direct Mount, (4088)	SKI 4381S	1410102
All	All Models	with 10 groove 126mm Direct Mount, (4377)	SKI 4377	1401414
All	All Models	with 10 groove 126mm Direct Mount, (4804)	SKI 4804S	1401419

Freightliner

COMPRESSORS

YEAR	MODEL	DESCRIPTION	OEM NO.	KYSOR NO.
ALL OTHER MODELS WITH YORK/T/CCI - STYLE COMPRESSORS				
All	All Models	with 6 groove 125 mm (Argosy 3/99-up) #4761	22-48437-000	1401127
All	All Models	Supplied with Ester Oil	ET210L-25063, ET210L-21097, ABN83-304061, 22-41170-000, CFC/ET210L-25150S	1402002
1996-1998	C120 Century Class	with 2 groove clutch 1 wire, with Detroit 60 series	ET210L-25073C	1411013
1997-1998	FLD120, Classic XL	with 2 groove clutch 1 wire, with Detroit 60 series	ET210L-25073C	1411013
1997-1998	FL60CFE	with 2 groove clutch 1 wire with Cummins 5.9L	ET210L-25073C	1411013
1996-1998	FLD120, Classic XL	with 2 groove clutch, 1 wire, with 3406E	ET210L-25073C	1411013
1997-1998	FLD120SD, Classic XL	with 2 groove clutch 1 wire, with M11 Cummins	ET210L-25073C	1411013
All	All Models	with 2 groove clutch, 1 wire, Tube 0	ET210L-25073C, ABPN83-304101, CFC688-21946C	1411013
All	All Models	with 2 groove clutch, 1 wire, Rotalock	ER210L-21589, ER210L-21741, ER210L-21571C, ABPN83-304211	1411014
1997-1998	C112 Century Class	with 2 groove clutch 2 wires with Detroit 55 series, 12L	ET210L-25237C	1411015
1999-2000	C112 Century Class	with 8 groove clutch 2 wires with Detroit 55 series, 12L	ET210L-25246C	1411016
1999-2000	C120 Century Class	with 8 groove clutch 2 wires with C12 Cat engine	ET210L-25246C	1411016
2001-2003	All Models	T/CCI HD with Rotalock - no clutch (supplied with ester oil)	ER210L-25149, ER210L-20300, ABPN83-304081	1411001
2001-2003	All Models	T/CCI HD with Tube-O-ring- no clutch (supplied with ester oil)	ET210L-25150, ET210L-25063, ET210-21097, ABN83-304061, 22-41170-000, CFC/ET210L-25150S	1411002
2001-2003	All Models	with 6 groove 125mm (Argosy 3/99-up) #4761	22-48437-000	1401127

CONDENSERS

YEAR	MODEL	DESCRIPTION	OEM NO.	KYSOR NO.
108SD (SEVERE DUTY-VOCATIONAL)				
2012-2015	108SD	with 33-1/4 x 19 x 5/8 with blkoc fitting	22-62372-000	1512028
114SD (SEVERE DUTY-VOCATIONAL)				
2012-2015	114SD	with 33-1/4 x 19 x 5/8 All (main)	22-62271-000	1512032
2012-2015	114SD	with 33-1/4" x 19" x 5/8" All (main)	22-62271-000	1512025
ARGOSY COE				
2007-3/1999	Argosy (COE)	with 26"x24-1/2" x 7/8 Tube-O ring Fittings	22-45017-000, 20046S	1512011

CONDENSERS

YEAR	MODEL	DESCRIPTION	OEM NO.	KYSOR NO.
BUSINESS CLASS M2 100 - 112V				
2003-2007	M2 Series	with 23-1/4" x 17-1/4" x 1"	BHTD2513, BHT72214 BHT E2108	1512010
2008-2015	M2 Series	with 27-1/4" x 20"-3/8" x 5/8"	A22-66842-000, A22-72252-000	1512029
CASCADIA (INCL. EVOLUTION)				
2008-2009	All Models	with 29-3/4" x 18" x 3/4" Pad fittings	A22-66824-001	1512025
2008-2015	All Models	with 33-1/2" x 19" x 5/8" Pad fittings	A22-67125-000, A22-72249-000	1512025
2008-2015	All Models	with 33-1/2" x 19" x 5/8" Pad fittings	A22-67125-000, A22-72249-000	1512032
2008-2015	All Models	with 34-1/4" x 22-1/8" x 5/8 ;DD15 Engine (main)	A22-62272-000, A22-72250-000	1512027
CENTURY CLASS				
1996-2000	Century Class	without O-ring fittings 31-1/2" x 20" x 7/8"	22-42084-002, 19893S, ABPN83-306275	1512003
2002-2015	All Models	with Slimline fittings 33" x 20" x 7/8"	BHT73002, 9271	1512015
2008-2012	Century Class	All Main	22-62271-000	1512015
1991-2000	Century Class	All with radiator mount (27-1/2" x 10" x 1-3/4")	22-32466-001, 19757S, ABPN83190, BB1957, MVA1-9231	1512002
2008-2012	Century Class	All (main)	22-62271-000	1512032
CLASSIC XL				
1992-1999	Classic XL	All with radiator mount (29" x 20" x 1-1/4")	22-32302-001, 19756S, MVA1-9244, ABPN83-30	1512001
2004-2010	Classic XL	with Slimline fittings 33" x 20" x 7/8"	IE6854, BHT79465	1512010
2008-2013	Classic XL	with 33-1/4" x 19" x 5/8" All (main)	22-62271-000	1512025
1991-2003	Classic XL	All with radiator mount (27-1/2" x 10" x 1-3/4")	22-32466-001, 19757S, ABPN83190, BB1957, MVA1-9231	1512002
2008-2013	Classic XL	with 33-1/4" x 19" x 5/8" All (main)	22-62271-000	1512032
2004-2010	Classic XL	with Slimline fitting 33 x 20 x 7/8 "	1E5864, BHT79465	1512015
COLUMBIA				
2002-2015	All Models	with Slimline fittings 33" x 20" x 7/8"	BHT73002, 9271	1512015
CORONADO				
2004-2014	All Models	with 33-5/8" x 19" x 3/4" All (main)	IE5865, 1E6069	1512017
2012-2015	Coronado	with 33-1/4" x 19" x 5/8" All (main)	22-62271-000	1512025
2010-2015	All Models	with 34-1/4" x 22-1/8" x 5/8 ;DD15 Eng (main)	22-62272-000	1512027
2010-2011	All Models	with 41-1/2x22x5/8" Pad fittings	22-67126-001	1512030
FL50, 60, 70				
1994-2000	FL50 - FL112	All Models with radiator mount	A22-24885-00	1512004
1994-2002	FL Series	with 25-3/16" x 20" x 7/8"	A680-830-0370, 19836S, ABPN83 306280, 680-801-00-70	1599011
FLD SERIES				
2008-2013	FLD	with 33-1/4" x 19" x 5/8" All (main)	22-62271-000	1512032

Freightliner

CONDENSERS

YEAR	MODEL	DESCRIPTION	OEM NO.	KYSOR NO.
2004-2010	FLD	with Slimline fitting 33 x 20 x 7/8 "	1E5864, BHT79465	1512015
2001-2005	FLD112	All Models with radiator mount	22-43941-000	1512005
1992-1999	FLD112, 120	All with radiator mount (29" x 20" x 1-1/4")	22-32302-001, 19756S, MVA1-9244, ABPN83-30	1512001
1991-2003	FLD112, 120	All with radiator mount (27-1/2" x 10" x 1-3/4")	22-32466-001, 19757S, ABPN83190, BB1957, MVA1-9231	1512002
2004-2010	FLD	with Slimline fittings 33" x 20" x 7/8"	IE6854, BHT79465	1512010
2008-2013	FLD	with 33-1/4" x 19" x 5/8" All (main)	22-62271-000	1512025

EVAPORATORS

YEAR	MODEL	DESCRIPTION	OEM NO.	KYSOR NO.
CENTURY CLASS				
1999-2000	Century	All with Auxiliary Combo Core	BOA80-377-00-249	1612006
2003-2015	All Models	Auxiliary Unit evaporator (uses # 2001023 expansion valve)	BOAN8116001, BOA91567	1612011
2002-2015	All Models	Main A/C with combo core (evaporator/ Heater Core)	BOA80-379-00-611	1612012
2008-2011	All Models	Main Unit with Behr Evaporator (uses # 2001022 expansion valve)	BOAN9383001	1612018
2000-2005	All Models	Auxiliary A/C with combo core (evaporator/ Heater Core) without water valves, operated as a slave to front cab HVAC	BOA80-377-00-279	1712012
01/1999-09/2000	Century Class	All with Auxiliary Combo Core	BOA80-377-00-289	1612006
CLASSIC XL				
1990-2009	All Models	Main Unit with Behr Evaporator	BOA80-375-00-569, ABPN83 307010, BOA73-000-04-02, MVA1-9248	1612002
2003-2015	All Models	Main A/C with combo core (evaporator/ Heater Core) for unit	A22-15190-007, 008 BOA80-379-00-611	1612012
1989-2009	All Models	Main Unit with Behr Evaporator	BOA80-375-00-569, ABPN83 307010, BOA73-000-04-02, MVA1-9248	1612002
COLUMBIA				
2003-2015	All Models	Auxiliary Unit evaporator (uses # 2001023 expansion valve)	BOAN8116001, BOA91567	1612011
2002-2015	All Models	Main A/C with combo core (evaporator/ Heater Core)	BOA80-379-00-611	1612012
2008-2011	All Models	Main Unit with Behr Evaporator (uses # 2001022 expansion valve)	BOAN9383001	1612018
2000-2005	All Models	Auxiliary A/C with combo core (evaporator/ Heater Core) without water valves, operated as a slave to front cab HVAC	BOA80-377-00-279	1712012
CORONADO				
2003-2015	Coronado	Auxiliary Unit evaporator (uses # 2001023 expansion valve)	BOAN8116001, BOA91567	1612011
2003-2015	Coronado	Main A/C with combo core (evaporator/ Heater Core) for unit	A22-15190-007, 008 BOA80-379-00-611	1612012

EVAPORATORS

YEAR	MODEL	DESCRIPTION	OEM NO.	KYSOR NO.
2008-2013	Coronado	Main Unit with Behr Evaporator (uses #2001022 expansion valve)	BOAN9383001	1612018
FLD SERIES				
1990-2009	All Models	Main Unit with Behr Evaporator	BOA80-375-00-569, ABPN83 307010, BOA73-000-04-02, MVA1-9248	1612002
2003-2015	All Models	Main A/C with combo core (evaporator/ Heater Core) for unit	A22-15190-007, 008 BOA80-379-00-611	1612012
1994-2003	FLD120	All Models with Red Dot Main Unit	NA1040; RD1402-0, ABPN83 307110	1699002
1989-2009	All Models	Main Unit with Behr Evaporator	BOA80-375-00-569, ABPN83 307010, BOA73-000-04-02, MVA1-9248	1612002
SLEEPER UNITS				
2000-2007	Sleeper	All Models with Behr Sleeper evaporator	80-374-00-51-900, BOA91616	1612012
1990-1997	Sleeper	All Models with Red Dot Sleeper Unit	R4190-0, RDHRD21402-0	1699002
2008-2015	Sleeper	All Models with Behr Sleeper evaporator	BOA91567	1612011
1989-1997	Sleeper	All Models with Red Dot Sleeper Unit R4190-0	RDHRD21402-0	1699002

EXPANSION VALVES AND ORIFICE TUBES

YEAR	MODEL	DESCRIPTION	OEM NO.	KYSOR NO.
108SD (SEVERE DUTY-VOCATIONAL)				
2012-2015	All Models	Block type with (#8) inlet (#12) outlet stat seals	VCCT1001838L	1812014
All	All Models	All Models with Red Dot Sleeper Unit	A22-18591-000, N83-308041, SI0329-412, 329-005	1899046
114SD (SEVERE DUTY-VOCATIONAL)				
2012-2015	All Models	Block type with (#8) inlet (#12) outlet stat seals	VCCT1001838L	1812014
All	All Models	All Models with Red Dot Sleeper Unit	A22-18591-000, N83-308041, SI0329-412, 329-005	1899046
BUSINESS CLASS M2 100 - 112V				
2008-2015	M2 Series	Block type with (#8) inlet (#12) outlet stat seals	VCCT1001838L	1812014
2003-2007	M2 Series	Block type w(#6, 8) inlets, (#8, 10) outlets flange	VCC88000030	1812011
2003-2007	M2 Series	Block type with (#6, 8) inlets, (#8,10) outlets flange	VCC88000030	1812005
CASCADIA (INCL. EVOLUTION)				
2008-2015	All Models	Block type with (#8) inlet (#12) outlet stat seals	VCCT1000898P	1812013
CENTURY CLASS				
2000-2002	All Models	Auxiliary A/C with Slimline fitting; Gold in color	BOA80-321-00-269	1812005

Freightliner

EXPANSION VALVES AND ORIFICE TUBES

YEAR	MODEL	DESCRIPTION	OEM NO.	KYSOR NO.
2003-2015	All Models	Main Unit, IN #6 #8 OUT #12 #10 Stat Seals	BOAA4965, 7005636	1812006
2003-2015	All Models	Auxiliary REar Unit, IN #6 #8 Stat Seals (burgundy)	BOA93674	1812007
2008-2013	All Models	Main Unit, IN #8 #8 OUT #12 #10 Stat Seals	BOAN9535001, BOA4965	1812008
2000-2012	All Models	Main Unit with Slimline fitting; Gold in color	ABPN83308231, BOA80-321-00-259	1812010
2008-2013	All Models	Auxiliary REar Unit, IN #6 #8 Stat Seals	BOAN8119001	1812012
1998-2002	C112, C120	with front system bypass, bleed type; with 2 green stripes	329-474, ABPN83-308906	1899042
1996-2000	C112, C120	with block type with 1/2" (#8) in 5/8" (#10) out fittings	A22-45432-000	1899042
CLASSIC XL				
2001-2007	All Models	Main Unit, IN #6 #8 OUT #12 #10 Stat Seals	ABPN83-327302	1812006
2000-2005	Classic XL	with front system bypass, bleed type; with 2 green str	329-474, 308906	1899042
1991-2000	Classic XL	All with block type (#8) inlet (#10) outlet fittings	BOA80-321-00-129	1899042
2003-2010	All Models	All Engines, Main and Auxiliary Unit	BOA80-321-00-129	1812004
2001-2007	All Models	Main Unit, IN #6 #8 OUT #12 #10 Stat Seals	ABPN83-327302	1812006
COLUMBIA				
2000-2002	All Models	Auxiliary A/C with Slimline fitting; Gold in color	BOA80-321-00-269	1812005
2003-2015	All Models	Main Unit, IN #6 #8 OUT #12 #10 Stat Seals	BOAA4965, 7005636	1812006
2003-2015	All Models	Auxiliary REar Unit, IN #6 #8 Stat Seals (burgundy)	BOA93674	1812007
2008-2013	All Models	Main Unit, IN #8 #8 OUT #12 #10 Stat Seals	BOAN9535001, BOA4965	1812008
2000-2012	All Models	Main Unit with Slimline fitting; Gold in color	ABPN83308231, BOA80-321-00-259	1812010
2008-2013	All Models	Auxiliary REar Unit, IN #6 #8 Stat Seals	BOAN8119001	1812012
CORONADO				
2003-2015	All Models	Main Unit, IN #6 #8 OUT #12 #10 Stat Seals	BOAA4965, 7005636	1812006
2003-2015	All Models	Auxiliary REar Unit, IN #6 #8 Stat Seals (burgundy)	BOA93674	1812007
2008-2015	All Models	Main Unit, IN #8 #8 OUT #12 #10 Stat Seals	BOAN9535001, BOA4965	1812008
2008-2015	All Models	Auxiliary REar Unit, IN #8 Stat Seals	BOAN8119001	1812012
FL50, 60, 70				
1994-2002	FL50 - FL112	Block type with (#8) inlet (#10) outlet fitting	ABPN83-30807	1899042
1994-1996	FL	All with block type with two (#8) outlet/inlet fittings	ABPN83-308011	1899046
FLD SERIES				
2001-2007	All Models	Main Unit, IN #6 #8 OUT #12 #10 Stat Seals	ABPN83-327302	1812006
2000-2005	FLD112, 120	with front system bypass, bleed type; with 2 green str	329-474; 308906	1899042

EXPANSION VALVES AND ORIFICE TUBES

YEAR	MODEL	DESCRIPTION	OEM NO.	KYSOR NO.
1990-1996	FLC	All with block type with (#8) inlet (#10) outlet fittings	ABPN83-308071	1899042
1994-2002	FLL, FLB	with block type with (#8) inlet (#10) outlet fittings	ABPN83-308071	1899042
1991-2000	FLD112, 120	All with block type (#8) inlet (#10) outlet fittings	BOA80-321-00-129	1899042
1992-1996	FLD	All with block type with two (#8) outlet/inlet fittings	ABPN83-308011	1899046
1993-1981	FLT, FLP, FLD	All with block type with two (#8) outlet/inlet fittings	ABPN83-308011	1899046
1974-1991	FLC	All with block type with two (#8) outlet/inlet fittings	ABPN83-308011	1899046
2003-2010	All Models	All Engines, Main and Auxiliary Unit	BOA80-321-00-129	1812004
SLEEPER UNITS				
All	All Models	All Models with Behr Sleeper Unit	A22-45432-000	1899042
All	All Models	Freon Solenoid Valve for Sleeper Unit LA1225, RD4188-0, N83-308069	LA1225, RD4188-0, N83-308069	1899038
WFC SERIES				
1989-1996	WFC	with block type with (#8) inlet and (#10) outlet fittings	ABPN83-30807	1899042
1974-1991	WFC	with block type with two (#8) outlet/inlet fittings	EA1065, S10-329-015, ABPN83-308011	1899046
1973-1984	WFC	All expansion valve, externally equalized with coil, O-ring	A22-14423-002	1899042
All	WFC	All expansion valve, int. equalized with coil	BOA80-321-00-049	1899047
1974-1988	WFC	Block type (2 Ton) (without Mount Holes)	A22-18591-000, ABPN83-308041, S10329-412, 329-005	1899046
WFT SERIES				
1989-1996	WFT	with block type with (#8) inlet and (#10) outlet fittings	ABPN83-30807	1899042
1974-1991	WFT	with block type with two (#8) outlet/inlet fittings	EA1065, S10-329-015, N83-308011	1899046
1973-1984	WFT	All expansion valve, externally equalized with coil, O-ring	A22-14423-002	1899042
All	WFT	All expansion valve, int. equalized with coil	BOA80-321-00-049	1899047
1974-1988	WFT	Block type (2 Ton) (without Mount Holes)	A22-18591-000, N83-308041, S10329-412, 329-005	1899046

HEATER CORES

YEAR	MODEL	DESCRIPTION	OEM NO.	KYSOR NO.
BUSINESS CLASS M2 100 - 112V				
2003-2007	M2 Series	All 11-1/8"x7-1/8" Pad Connections	VCC31000005	1712011
CENTURY CLASS				
2000-2015	Century Class	Main Unit (8-3/4x9-1/2x1-1/2) in/out 3/4"	HM9104001, BOAH0321	1712007
2003-2015	Century Class	Auxiliary Unit	BOA93675	1712008
2000-2003	Century Class	Auxiliary A/C with combo core (evaporator/ Heater Core) without water valves, operated as a slave to front cab HVAC	BOA80-377-00-279	1712012

Freightliner

HEATER CORES

YEAR	MODEL	DESCRIPTION	OEM NO.	KYSOR NO.
1997-2002	C112, C120	All with main heater	BOA85-430-71-009	1712004
COLUMBIA				
2000-2015	Columbia	Main Unit (8-3/4x9-1/2x1-1/2) in/out 3/4"	HM9104001, BOAH0321	1712007
2003-2015	Columbia	Auxiliary Unit	BOA93675	1712008
2000-2003	Columbia	Auxiliary A/C with combo core (evaporator/ Heater Core) without water valves, operated as a slave to front cab HVAC	BOA80-377-00-279	1712012
CORONADO				
2003-2015	Coronado	Auxiliary Unit (6x6-3/8x1-5/8)	BOA93675	1712008
2003-2015	Coronado	Main Unit (8-3/4x9-1/2x1-1/2) in/out 3/4"	BOAM9104001, BOA91617, BOAH3021	1712007

RECEIVER DRIERS/ACCUMULATORS

YEAR	MODEL	DESCRIPTION	OEM NO.	KYSOR NO.
108SD (SEVERE DUTY-VOCATIONAL)				
2012-2014	108SD	Pad Type with side bracket (use #0181 stat seals)	A22-69799-000	1912029
BUSINESS CLASS M2 100 - 112V				
2002-2007	M2 Series	3" Diameter 10" length; Slimline Seal #6, 2) M10 Ports	PH088518-00	1912026
2008-2010	M2 Series	Side Bracket, Pad Type (use # 0131 stat seals)	A22-63992-001	1912027
2011-2015	M2 Series	Side Bracket, Pad Type (use # 0131 stat seals)	A22-66600-000, A22-69799-000	1912029
CASCADIA (INCL. EVOLUTION)				
2008-2010	Cascadia	with Pad Type (use # 0131 stat seals)	A22-63992-001, A22-64224-001, A22-72932-000	1912027
2010-2015	Cascadia	Pad Type with Bracket (use # 0131 stat seals)	A22-63633-000, A22-63993-000, A22-65550-000, A22-66700-000, A22-69800-000, A22-72391-000	1912028
CENTURY CLASS, COLUMBIA				
1996-2003	C112, C120	with 3" Diameter male/female with 2 (M10) port, MI, HPRV	PH 088335-00, ABPN83-319510	1912024
1996-2002	Century	3" Diameter 10-1/4" length; Slimline Seal type, 2) M10 Ports	088446-00, ABPN83-31953	1912025
2003-2015	Century	3" Diameter 10" length; Slimline Seal #6, 2) M10 Ports	ABPN83-319744	1912026
2008-2012	Century	4" Diameter 7" length; with side bracket	A22-63992-001, 088539-00	1912027
CLASSIC XL				
1990-1992	COE, CO	with 3" Diameter male-male with switch port, MI, HPRV	A22-32150, PH088184	1912020
1991-1992	Classic	with 3" Diameter male/female with 2 switch port, MI, HPRV	ABPN83-319300	1912020
1993-1996	Classic XL	with 3" Diameter male/female with 2 (1/4") port, MI, HPRV	ABPN83-319390, PH088282-00, PH088281-00	1912022

RECEIVER DRIERS/ACCUMULATORS

YEAR	MODEL	DESCRIPTION	OEM NO.	KYSOR NO.
1993-2006	All Models	with QD drier, R134a, with 2 (M10) port, MI, HPRV	PH088336-00	1912023
1994-2001	Classic	with 3" Diameter male/female with 2 (M10) port, MI, HPRV	ABPN83-319510	1912024
2002-2011	All Models	Slimline Seal type (top mounting type)	ABPN83-319744	1912026
2008-2011	All Models	Receiver Drier, Pad mount	A22-63992-001	1912027
2008-2009	All Models	All	A22-63993-000	1912028
1993-1996	Classic XL	with 3" Diameter male/female with 2(1/4") sw port,MI,HPRV	ABPN83-319390, PH088282-00, PH088281-00	1912014
2008-2011	All Models	All	A22-63992-001	1912027
CORONADO				
2003-2015	All Models	3" Diameter 10" length; Slimline Seal #6, 2) M10 Ports	ABPN83-319744	1912026
2012-2015	All Models	Pad Type with Bracket (use # 0131 stat seals)	A22-66700-00	1912028
1994-2001	FLD, FLL Classic XL	with 3" Diameter male/female with 2 (M10) port, MI, HPRV	ABPN83-319510	1912024
COLUMBIA				
1996-2002	Columbia	3" Diameter 10-1/4" length; Slimline Seal type, 2) M10 Ports	088446-00, ABPN83-31953	1912025
2003-2015	Columbia	3" Diameter 10" length; Slimline Seal #6, 2) M10 Ports	ABPN83-319744	1912026
2008-2012	Columbia	4" Diameter 7" length; with side bracket	A22-63992-001, 088539-00	1912027
FL50, 60, 70				
1994-2002	FL Series	3" Diameter male/female with 2 (M10) switch port with OE	ABPN83-319510	1912024
FLD SERIES				
1990-1996	FLC, FLD, FLP	with 3" Diameter male/female with 2 switch port, MI, HPRV	22-34675, A22-37199-000, ABPN83-319930	1912020
1991-1992	FLD112, 120	with 3" Diameter male/female with 2 switch port, MI, HPRV	ABPN83-319300	1912020
1993-1996	FL, FLD	with 3" Diameter male/female with 2 (1/4") port, MI, HPRV	ABPN83-319390, PH088282-00, PH088281-00	1912022
1993-2006	All Models	with QD drier, R134a, with 2 (M10) port, MI, HPRV	PH088336-00	1912023
2002-2011	All Models	Slimline Seal type (top mounting type)	ABPN83-319744	1912026
2008-2011	All Models	Receiver Drier, Pad mount	A22-63992-001	1912027
2008-2009	All Models	All	A22-63993-000	1912028
1993-1996	FL, FLD	with 3" Diameter male/female with 2(1/4") sw port,MI,HPRV	ABPN83-319390, PH088282-00, PH088281-00	1912014
2008-2011	All Models	All	A22-63992-001	1912027

Freightliner

RELAYS

YEAR	MODEL	DESCRIPTION	OEM NO.	KYSOR NO.
ALL OTHER MODELS				
1974-2000	All Models	All Models with Bosch type relay with bracket	332-204-101, A22-011101-022, ABPN83-302190, BSM322035	2099003
1990-2000	All Models	Relay 12V 5 terminal with diode 30-40 amp	ABPN83 322035	2099002
1990-2000	All Models	All Models with Bosch type relay with bracket	332-204-101, A22-011101-022, ABPN83-302190, ABPN83-302190, CB1005	2099003
1997-2015	All Models	with Bosch micro type; 5 terminal relay	VF2815F24S01	4099150
CENTURY CLASS				
1997-2005	C112, C120	All with Bosch pin type 12V mini relay (Sleeper)	VF2815F14S01, POTVM2815F24S01	2012003
FL SERIES				
1994-2001	FL Series	All Models with Behr 5 terminal relay	680-545-00-05, ABPN83-320250, MBT-12135084, MBT-A680-545-00-05, MVA1-9242	2012001

RESISTORS

YEAR	MODEL	DESCRIPTION	OEM NO.	KYSOR NO.
ALL OTHER MODELS				
All	All Models	Red Dot Blower Resistor (without cage)	RD 5-3647-0	2099005
CENTURY CLASS				
1997-2011	C112, C120	All with blower resistor – 4 terminals	RDHRD5-6450-0, BOA87473, BOA80-926-00-079, ABPN83 321170	2012006
1999-2003	All Models	All with CTC blower resistor	632004-04, BOA80-926-00-219, ABPN83 321210	2012007
CLASSIC, XL				
1991-2010	Classic	All Models with blower resistor with 4 terminals	ABPN83 321170, BOA80-926-00-079, RDHRD5-6450-0	2012006
COLUMBIA				
1997-2011	Columbia	All with blower resistor – 4 terminals	RDHRD5-6450-0, BOA87473, BOA80-926-00-079, ABPN83 321170	2012006
1999-2003	All Models	All with CTC blower resistor	632004-04, BOA80-926-00-219, ABPN83 321210	2012007
FLD SERIES				
1990-1997	FL	All Models with blower resistor with 3 terminals with cage	06-15104-000	2012005
1990-1996	FLP, FLT	All Models with blower resistor with 4 terminals	ABPN83 321170	2012006

RESISTORS

YEAR	MODEL	DESCRIPTION	OEM NO.	KYSOR NO.
1991-2010	FLD Series	All Models with blower resistor with 4 terminals	ABPN83 321170, BOA80-926-00-079, RDHRD5-6450-0	2012006
WFC SERIES				
1990-1996	WFC	All Models with blower resistor with 4 terminals	BOA80-926-00-079, CA1020	2012006
WFT SERIES				
1990-1997	WFT	All Models with blower resistor with 3 terminals with cage	06-15104-000	2012005
1990-1996	WFT	All Models with blower resistor with 4 terminals	BOA80-926-00-079, CA1020	2012006

SEALS

YEAR	MODEL	DESCRIPTION	OEM NO.	KYSOR NO.
ALL OTHER MODELS				
All	All Models	Compressor(GH Head) Stat Seal	ABPN83-312372	2712007
All	All Models	Evaporator Stat Seal	ABPN83-312361	2712006
All	All Models	#6 Slimline Seal	ABPN83-312076	2712001
All	All Models	#8 Stat Seal	23-13204-000	2712005

SWITCHES - ACTUATOR

YEAR	MODEL	DESCRIPTION	OEM NO.	KYSOR NO.
ALL MODELS				
2003-2015	MC, 108SD, 114SD	Actuator;Heater(6 pin)	VCC32000022	2113010
2003-2015	M2 Series, Century, Columbia, Coronado	Actuator Stepper Motor: Main & Auxiliary (6 pin)	BOA91594	2113009

SWITCHES - BLOWER

YEAR	MODEL	DESCRIPTION	OEM NO.	KYSOR NO.
BUSINESS CLASS M2 100 - 112V				
1994-2000	All Models	with 3 speed, 5 terminal 20 amp-Universal Type 12-24V	BOA80-926-00-059	2199005
CASCADIA (INCL. EVOLUTION)				
2008-2015	All Models	Blower Control 7 Terminal	BOA98213	2112015
CENTURY CLASS				
2008-2010	Century	Blower Control 7 Terminal	BOA98213	2112015
1999-2008	Century	All with Rocker Switch	A06-30769-032	2112008
1997-2002	Century	with 3 speed, 5 terminal 20 amp - Universal Type 12-24V	2G754A	2199026
2001-2002	Century	Fan switch Auxiliary Unit	2G754A	2199005
CLASSIC XL				
2008-2010	All Models	Blower Control 7 Terminal	BOA98213	2112015
2009-2010	All Models	Blower Control 7 Terminal	BOA98213	2112015
1991-2010	Classic XL	with 3 speed, 5 terminal 20 amp - Universal Type 12-24V	ABPN83 322150, MVA1-9253	2199026

Freightliner

SWITCHES - BLOWER

YEAR	MODEL	DESCRIPTION	OEM NO.	KYSOR NO.
COLUMBIA				
2008-2010	Columbia	Blower Control 7 Terminal	BOA98213	2112015
1999-2008	Columbia	All with Rocker Switch	A06-30769-032	2112008
1997-2002	Columbia	with 3 speed, 5 terminal 20 amp - Universal Type 12-24V	2G754A	2199026
2001-2002	Columbia	Fan switch Auxiliary Unit	2G754A	2199005
FLD SERIES				
1993-2000	FLL, FLB, FL50 - FL112	All Models with rotary blower switch (short Thread shaft)	BOA 80-926-00-0, ABPN83-323008	2199027
2009-2010	All Models	Blower Control 7 Terminal	BOA98213	2112015
1991-2010	FLD Series	with 3 speed, 5 terminal 20 amp - Universal Type 12-24V	ABPN83 322150, MVA1-9253	2199026
1994-2000	All Models	with 3 speed, 5 terminal 20 amp-Universal Type 12-24V	BOA80-926-00-059	2199005
2008-2010	All Models	Blower Control 7 Terminal	BOA98213	2112015

SWITCHES - CLUTCH

YEAR	MODEL	DESCRIPTION	OEM NO.	KYSOR NO.
BUSINESS CLASS M2 100 - 112V				
1994-1999	All Models	All Models with micro switch #v71 1C27E9263	ABPN83 322300	2199003
FLD SERIES				
1994-1999	All Models	All Models with micro switch #v71 1C27E9263	ABPN83 322300	2199003

SWITCHES - PRESSURE

YEAR	MODEL	DESCRIPTION	OEM NO.	KYSOR NO.
108SD (SEVERE DUTY-VOCATIONAL)				
2012-2015	All Models	Binary switch – Normally Closed, M10 Threads	22-51296-000	2212004
2012-2015	All Models	High Pressure – Fan Coupling, Normally Closed, M10 Female	A22-45194-001	2212005
114SD (SEVERE DUTY-VOCATIONAL)				
2012-2015	All Models	Binary switch – Normally Closed, M10 Threads	22-51296-000	2212004
2012-2015	All Models	High Pressure – Fan Coupling, Normally Closed, M10 Female	A22-45194-001	2212005
ALL OTHER MODELS				
All	All Models	Fan Override – Trinary™ Normally Open, Female 1/4"	RD 5-4583-0, A06-18015-000	2299109
All	All Models	Fan Override – Trinary™ Normally Open, Male 3/8-24	RD 5-4585-0	2299109
All	All Models	Low Pressure – Normally Open, on 25, off 35 3/8"-24 male Thread	085108-00	2299005
BUSINESS CLASS M2 100 - 112V				
1994-1999	All Models	All Models with micro switch	V71C27E9263, ABPN83 32	2199003

SWITCHES - PRESSURE

YEAR	MODEL	DESCRIPTION	OEM NO.	KYSOR NO.
2000-2015	All Models	Binary switch – Normally Closed, M10 Threads	22-51296-000	2212004
1994-1998	All Models	Binary Switch – R12 Normally Open, Female 1/4" thread	A22-36474	2212001
1994-2003	All Models	Binary Switch – Normally Open, M10 Female thread	A22-43249-000	2212002
1994-2012	All Models	High Pressure – Fan Coupling, Normally Closed M10 Female	A22-45194-001	2212005
1994-2003	All Models	Fan Override – Trinary™ Normally Open, Female 1/4"	A06-18015-000	2299109
1994-2003	All Models	Fan Override – Trinary™ Normally Open, Male 3/8-24	RD 5-4585-0	2299109
1994-2003	All Models	Low Pressure – Normally Open, 2 Spade, 3/8"-24 male Thread	085108-00	2299005
CASCADIA (INCL. EVOLUTION)				
2008-2011	All Models	Binary switch, Normally Closed, M10 Threads	22-51296-000	2212004
1994-2010	All Models	High Pressure – Fan Coupling, Normally Closed, M10 Female	A22-45194-001	2212005
CENTURY CLASS				
2000-2015	Century	Binary Switch – Normally Closed, M10 Fitting	22-51296-000	2212004
1997-2015	All Models	High Pressure – Fan Coupling, Normally Closed M10 Female	A22-45194-001	2212005
1997-2004	C112, C120	High Pressure – Normally Closed, APads M10 Thread	8040279P, 223162	2299035
2003-2015	Century	Control Switch – Temperature Probe Sensor, 2 Terminal	BOA91619	2312002
2003-2015	All Models	Control Switch – Temperature Probe Sensor, 2 Terminal	BOA91619	2312002
CLASSIC XL				
1991-1998	Classic	Binary Switch – Normally Open, 1/4" Female thread	A22-3647	2212001
1994-2003	All Models	Binary Switch – Normally Open, M10 Female thread	A22-43249-000, ABPN83-318179	2212002
2000-2015	All Models	Binary Switch, Normally Closed, M10 Thread	22-51296-000	2212004
1991-1999	Classic XL	Low Pressure, Normally Open, opens 10/ closes 42 1/4" Female Thread	ABPN83-318034	2299001
2003-2011	Classic	Control Switch – Temperature Probe Sensor, 2 Terminal	BOA91619	2312002
1991-1999	Classic XL	All Models with micro switch	VL3L3014-D9	2199003
1991-1999	Classic XL	Low Pressure, Normally Open .opens 6/ closes 34 ; 1/4" Female Thread	BB1105, 404143	2299108
COLUMBIA				
2000-2015	Columbia	Binary Switch – Normally Closed, M10 Fitting	22-51296-000	2212004
1997-2015	All Models	High Pressure – Fan Coupling, Normally Closed M10 Female	A22-45194-001	2212005
1997-2004	C112, C120	High Pressure – Normally Closed, APads M10 Thread	8040279P, 223162	2299035
2003-2015	All Models	Control Switch – Temperature Probe Sensor, 2 Terminal	BOA91619	2312002

Freightliner

SWITCHES - PRESSURE

YEAR	MODEL	DESCRIPTION	OEM NO.	KYSOR NO.
2003-2015	Columbia	Control Switch – Temperature Probe Sensor, 2 Terminal	BOA91619	2312002
CORONADO				
2003-2015	All Models	Control Switch – Temperature Probe Sensor, 2 Terminal	BOA91619	2312002
2000-2015	All Models	Binary Switch, Normally Closed, M10 Thread	22-51296-000	2212004
2003-2015	All Models	High Pressure – Fan Coupling, Normally Closed M10 Female	A22-45194-001	2212005
FL50, 60, 70				
1994-1999	All Models	All Models with micro switch	V71C27E9263, ABPN83 32	2199003
1994-1998	All Models	Binary Switch – R12 Normally Open, Female 1/4" thread	A22-36474	2212001
1994-2003	All Models	Binary Switch – Normally Open, M10 Female thread	A22-43249-000	2212002
2000-2015	All Models	Binary switch – Normally Closed, M10 Threads	22-51296-000	2212004
1994-2012	All Models	High Pressure – Fan Coupling, Normally Closed M10 Female	A22-45194-001	2212005
1994-2003	All Models	Fan Override – Trinary™ Normally Open, Female 1/4"	A06-18015-000	2299109
1994-2003	All Models	Fan Override – Trinary™ Normally Open, Male 3/8-24	RD 5-4585-0	2299109
1994-2003	All Models	Low Pressure – Normally Open, 2 Spade, 3/8"-24 male Thread	085108-00	2299005
FLD SERIES				
1994-2003	FLA, FLD	High Pressure – Fan Coupling, Normally Closed M10 Female	A22-45194-001	2212005
1990-1993	FLA, FLD	High Pressure – Normally Open, 300/210 with 1/4" Female Thread	BOA 80.926.00.091, 20PS39-36; 37	2299013
1991-1999	FDL112, 120	Low Pressure, Normally Open .opens 6/ closes 34 ; 1/4" Female Thread	BB1105, 404143	2299108
1991-1999	FDL112, 120	Low Pressure, Normally Open, opens 10 / closes 34 ; 1/4" Female Thread	ABPN83-318034	2275012
2003-2015	All Models	Control Switch – Temperature Probe Sensor, 2 Terminal	BOA91619	2312002
1999-2001	FLB, FLL	All Models with rocker switch	A06-30769-011	2112002
1993-2000	FLL, FLB, FL50 - FL112	All Models with micro switch	ABPN83 322300, BOA80-908-00-259, BOA80-908-00-219, BSM322400, A06-14663-000, A06-13866-1	2199003
1991-1999	FLD112, 120	All Models with micro switch	VL3L3014-D9	2199003
1991-1998	FLD	Binary Switch – Normally Open, 1/4" Female thread	A22-3647	2212001
1994-2003	All Models	Binary Switch – Normally Open, M10 Female thread	A22-43249-000, ABPN83-318179	2212002
2000-2015	All Models	Binary Switch, Normally Closed, M10 Thread	22-51296-000	2212004
1991-1999	FLD112, 120	Low Pressure, Normally Open, opens 10/ closes 42 1/4" Thread	ABPN83-318034	2299001

SWITCHES - PRESSURE

YEAR	MODEL	DESCRIPTION	OEM NO.	KYSOR NO.
2003-2011	FLD	Control Switch – Temperature Probe Sensor, 2 Terminal	BOA91619	2312002

SWITCHES - ROCKER

YEAR	MODEL	DESCRIPTION	OEM NO.	KYSOR NO.
CENTURY CLASS				
1999-2008	Century	Rocker Switch 10 Terminal	A06-30769-032	2112008
COLUMBIA				
1999-2008	Columbia	Rocker Switch 10 Terminal	A06-30769-032	2112008

SWITCHES - THERMOSTATIC

YEAR	MODEL	DESCRIPTION	OEM NO.	KYSOR NO.
BUSINESS CLASS M2 100 - 112V				
2003-2008	All Models	Evaporator Probe, 2 Terminal	VCC83000036	2312003
CENTURY CLASS				
2003-2015	All Models	Control Switch + Temperature Probe Sensor, 2 Terminal	BOA91619	2312002
1990-2010	All Models	Main Unit with pre-set (16" capillary tube)	BOA80-946-00-109, A630-008-00, A630-014-00, ABPN83 323000, BD1080, BOA80 946 00 079, BOA80-946-109, MVA1-6291, MVA1-9224, N31-1355-000, N83-323053, RD5-6429-0	2312001
COLUMBIA				
1990-2010	All Models	Main Unit with pre-set (16" capillary tube)	BOA80-946-00-109, A630-008-00, A630-014-00, ABPN83 323000, BD1080, BOA80 946 00 079, BOA80-946-109, MVA1-6291, MVA1-9224, N31-1355-000, N83-323053, RD5-6429-0	2312001
2003-2015	All Models	Control Switch + Temperature Probe Sensor, 2 Terminal	BOA91619	2312002
CORONADO				
2003-2015	All Models	Control Switch + Temperature Probe Sensor, 2 Terminal	BOA91619	2312002

Freightliner

SWITCHES - THERMOSTATIC

YEAR	MODEL	DESCRIPTION	OEM NO.	KYSOR NO.
1990-2010	All Models	Main Unit with pre-set (16" capillary tube)	BOA80-946-00-109, A630-008-00, A630-014-00, ABPN83 323000, BD1080, BOA80 946 00 079, BOA80-946-109, MVA1-6291, MVA1-9224, N31-1355-000, N83-323053, RD5-6429-0	2312001
FL50, 60, 70				
1994-2002	FL Series	Thermostatic Switch, capillary length 16-1/2"	BO80-946-00-079	2312001
FLD SERIES				
1981-1988	FLT, FLD120	All Models with pre-set t/stat	A22-23640-000, BD1105, HV33061, N83-323010, RD5-4531-24	2399001
1973-1981	FLT, FLP	Knob Type (with 36" capillary tube)	BD1035, RD4125-48, MVA1-4185	2399019
1973-1981	FLT, FLP	Knob Type (with 36" capillary tube)	9533N178, RNCA10-6581-00, MVA1-1048, A22-151817A(-001)	2399020
2003-2015	All Models	Control Switch + Temperature Probe Sensor, 2 Terminal	BOA91619	2312002
1976-1988	FLC, FLT	All Models with rotary t/stat (48" capillary tube)	BD1035, RD4125-48	2399019
1990-2010	All Models	Main Unit with pre-set (16" capillary tube)	BOA80-946-00-109, A630-008-00, A630-014-00, ABPN83 323000, BD1080, BOA80 946 00 079, BOA80-946-109, MVA1-6291, MVA1-9224, N31-1355-000, N83-323053, RD5-6429-0	2312001
WFT SERIES				
1973-1981	WFT	Knob Type (with 36" capillary tube)	BD1035, RD4125-48, MVA1-4185	2399019
1973-1981	WFT	Knob Type (with 36" capillary tube)	9533N178, RNCA10-6581-00, MVA1-1048, A22-151817A(-001)	2399020

SWITCHES

YEAR	MODEL	DESCRIPTION	OEM NO.	KYSOR NO.
ALL OTHER MODELS				
All	All Models	Aristo-Aire BCY1	A22-24895-000, ARS809-0006-000	3212008
All	All Models	Aristo-Aire BCY1	A22-24895-000, ARS809-0006-000	3299047

WATER VALVES

YEAR	MODEL	DESCRIPTION	OEM NO.	KYSOR NO.
108SD (SEVERE DUTY-VOCATIONAL)				
2012-2015	All Models	with Actuator Stepper Motor	VCC32000022	2113010
114SD (SEVERE DUTY-VOCATIONAL)				
2012-2015	All Models	with Actuator Stepper Motor	VCC32000022	2113010
BUSINESS CLASS M2 100 - 112V				
2003-2012	M2 Series	with Actuator Stepper Motor	VCC32000022	2113010
CENTURY CLASS				
2003-2015	Century	Actuator Stepper Motor: Main & Auxiliary	BOA91594	2113009
1996-2002	C112, C120	Electric Heater Valve 5/8" x 3/4"	A22-52101-000	2412005
2003-2015	Century	Cable Operated Heater Valve-pull to open with large bracket	A22-44463-01, ABPN83-34280	2412007
1996-2003	C112, C120	Cable Operated Heater Valve-pull to open	A22-44553-000, 173119, 173133, MVA1-6296, RD 5-8943-0	2499111
CLASSIC XL				
1991-2000	Classic XL	Cable Operated with Bergstrom Heater Valve, mounts to core	MA11365	2499109
1991-2010	All Models	Cable Operated Heater Valve-pull to open	A22-44553-000, 173119, 173133, MVA1-6296, RD 5-8943-0, BOA80-101-00-119	2499111
COLUMBIA				
1997-2003	Columbia	Cable Operated Heater Valve-pull to open with large bracket	A22-44463-01, ABPN83-34280	2412007
2003-2015	Columbia	Actuator Stepper Motor: Main & Auxiliary	BOA91594	2113009
CORONADO				
1991-2010	All Models	Cable Operated Heater Valve-pull to open	A22-44553-000, 173119, 173133, MVA1-6296, RD 5-8943-0, BOA80-101-00-119	2499111
FLD SERIES				
1992-2001	FLL, FLB, FL50 - FL 112	Cable Operated Heater Valve-pull to open	RDH RD58935-0	2499098
1992-1999	FL-50-80, MB70, FL106/112	with Kysor Valve (Cable Operated 5/8" x 5/8")	173144	2412015
1991-2000	FLD112, 120	Cable Operated with Bergstrom Heater Valve, mounts to core	MA11365	2499109
1994-1999	FLB, FLL	Cable Operated with Bergstrom Heater Valve, mounts to core	MA11365	2499109
1996-1997	FL106	Calbe Operated Heater Valve	RDH RD58935-0	2499098
1992-1999	FLL, FLB, FL50 - FL112	Cable Operated Heater Valve - pull to open	MA1425	2412015
1991-1995	FLD	Air Operated Heater Valve with Red Dot	RDH RD547970	2499038
1991-2010	All Models	Cable Operated Heater Valve-pull to open	A22-44553-000, 173119, 173133, MVA1-6296, RD 5-8943-0, BOA80-101-00-119	2499111

International

AIR FILTERS

YEAR	MODEL	DESCRIPTION	OEM NO.	KYSOR NO.
4000 SERIES (DURASTAR)				
1990-2000	4070A, 4070B	15" x 10-3/4" x 1" 480836-C1	480836-C1	3113005
8000 SERIES (TRANSTAR)				
1995-2005	8000	10" x 13-5/8" x 1/2" with A/C & heater intake	1699956-C1	3113004
9000 – 9900I, IX, EAGLE				
1997-2000	9200,9400, 9800	12" x 11" x 1/2" with A/C & heater intake	696834-C1	3199020
ALL OTHER MODELS				
1990-2000	All Models	12-1/2" x 13-1/2" x 1/2"	498144-C1	3113003
1995-2015	All Models	10" x 13-5/8" x 1/2"	1699956-C1, IN9501P	3113004
2000-2010	All Models	12-1/2" x 7-1/4" x 1"	2506656-C	3113006
2000-2011	All Models	12" x 6-1/4" x 1/4" (white paper)	3839141-C1	3199085
1982-2000	All Models	12-1/2" x 13-1/2" x 1/2"	498144-C1	3113003

BLOWER MOTORS

YEAR	MODEL	DESCRIPTION	OEM NO.	KYSOR NO.
2000 SERIES				
1988-2001	2000	All with flange type motor, Heavy Duty,	1699291-C1	1013004
1988-2001	2000	All with HD flange motor with wire harness, premium grade	2500485-C1	1013004
1974-1981	2010,2050	All Fleetstar Models withoute Blower Motor	345511-C92	1099003
4000 SERIES (DURASTAR)				
2003-2007	All Models	All Models Fan with wheel	3542611-C2	1013008
2011-2015	All Models	Blower Motor Assembly with wheels	26025702-C91	1013011
1990-1996	All Models	Blower Motor All with flange type motor, long life	1669779-C1	1099003
1990-1994	All Models	Blower Motor All with flange type motor, long life	1669786-C1	1099003
2011-2015	All Models	Blower Motor Assembly with wheels	26025702-C91	1013011
2003-2007	All Models	All Models Fan with wheel	3542611-C2	1013008
1997-2002	All Models	All with flange type motor, Heavy Duty,	1699291-C1	1013004
1988-2002	All Models	All with HD flange motor with wire harness, premium grade	2500485-C1	1013004
1988-1996	All Models	All Models with flange type motor, long life,	1669779-C1	1013004
1988-1994	All Models	All Models with flange type motor, Standard Duty,	1669786-C1	1013004
1974-1989	4070A	All Models with Kysor rooftop unit	HA1010	1099013
1978-1985	4070A, 4070B	All transfer with 3" motor, CW motor, floor mount	HA1135	1099012
1978-1984	4070A, 4070B	All transfer with 3" motor, CCW, Side mount	488831-C1	1099011
5000, 5000I SERIES (PAYSTAR)				
2000-2015	5000, 5000i Series (PayStar)	Blower Motor Flange mount Heavy Duty version	1699949C1	1013005
1990-1996	All Models	Blower Motor all with Flange type motor, long life	1669779-C1	1099003

BLOWER MOTORS

YEAR	MODEL	DESCRIPTION	OEM NO.	KYSOR NO.
1990-1994	All Models	Blower Motor all with Flange type motor, long life	1669786-C1	1099003
1990-1993	All Models	All Models with side mounted Blower Motor	421843-C1	1099011
1990-1991	All Models	All with IHC heater model (488891C97) side mounted motor	488843-C91	1099011
2000-2015	All Models	with flange type motor, Heavy Duty	1699949C1	1013005
1997-2006	All Models	with flange type motor, Heavy Duty	1699291-C1	1013004
1988-1999	All Models	All with HD flange motor with wire harness, premium grade	2500485-C1	1013004
1988-1996	All Models	All Models with flange type motor, long life,	1669779-C	1099014
1988-1994	All Models	All Models with flange type motor, Standard Duty	1669786-C1	1099014
1986-1993	All Models	All Models with side mounted Blower Motor	421843-C1	1099011
1978-1993	All Models	All Models with floor mounted Blower Motor	421844-C1	1099012
1982-1991	All Models	All with IHC heater model (488891C97) floor mounted motor	488842-C91, 488832-C1	1099012
1982-1991	All Models	All with IHC heater model (488891C97) side mounted motor	488843-C91	1099011
7000 SERIES (WORKSTAR)				
2003-2007	All Models	All with Fan with wheel	3542611-C2	1013008
2011-2015	All Models	Blower Motor Assembly with wheels	26025702-C91	1013011
2008-2011	All Models	All Models Fan with wheel	3674285-C1	1013013
1990-1996	All Models	Blower Motor all with Flange type motor, long life	1669786-C1	1099003
1997-2002	All Models	All Models with flange type motor, Heavy Duty	1699291-C1	1013004
1988-1999	All Models	All with HD flange motor with wire harness, premium grade	2500485-C1	1013004
1988-1996	All Models	All Models with flange type motor, long life,	1669786-C1	1099014
1988-1994	All Models	All Models with flange type motor, Standard Duty	1669786-C1	1099014
8000 SERIES (TRANSTAR)				
2003-2007	All Models	All with Fan with wheel	3542611-C2	1013008
2011-2015	All Models	Blower Motor Assembly with wheels	26025702-C91	1013011
2008-2011	All Models	All Models Fan with wheel	3674285-C1	1013013
1990-1996	All Models	Blower Motor All with Flange type motor, long life	1669786-C1	1099003
1997-2002	All Models	All Models with flange type motor, Heavy Duty,	1699291-C1	1013004
1988-1999	All Models	All with HD flange motor with wire harness, premium grade	2500485-C1	1013004
1988-1996	All Models	All Models with flange type motor, long life,	1669786-C1	1099014
1988-1994	All Models	All Models with flange type motor, Standard Duty	1669786-C1	1099014
9000 – 9900I, IX, EAGLE				
1999-2015	All Models	with flange type motor, Heavy Duty,	1699949C1	1013005
1988-1999	All Models	All with HD flange motor with wire harness, premium grade	2500485-C1	1013004

International

BLOWER MOTORS

YEAR	MODEL	DESCRIPTION	OEM NO.	KYSOR NO.
1997-1997	Pro Sleeper	All Models with flange type motor, Heavy Duty	1699949-C1	1013005
1988-1996	9000	All Models with flange type motor, long life	1669779-C1	1099014
1982-1994	9000	All Models with flange type motor, Standard Duty	1669786-C1	1099014
1999-2015	All Models	Blower Motor flange mount Heavy Duty version	1699949C1	1013005
1997	Pro Sleeper	Blower Motor flange mount Heavy Duty version	1699949-C1	1013005
1990-1996	9000	Blower Motor all with flange type motor, long life	1669779-C	1099003
1990-1994	9000	Blower Motor all with flange type motor, long life	1669786-C1	1099003
LONESTAR				
2012-2015	All Models	Blower Motor Assembly with wheels	2602570-C91, 2602570-C92, 3839363-C91, 3839363-C92	1013011
2009-2012	All Models	Main Cab; Fan with Wheel	3674285-C1	1013013
PROSTAR				
2007-2010	Prostar	Main Cab; Fan with Wheel	3542611-C2	1013008
2007-2010	Prostar	Auxiliary (Sleeper)	3599581-C2	1013012
2007-2010	ProStar	Main Cab; Fan with Wheel	3542611-C2	1013008
2012-2015	All Models	Blower Motor Assembly with wheels	2602570-C91, 2602570-C92, 3839363-C91, 3839363-C92	1013011
2007-2010	ProStar	Auxiliary (Sleeper)	3599581-C2	1013012
2009-2012	All Models	Main Cab; Fan with Wheel	3674285-C1	1013013
TERRASTAR (CLASS 4/5)				
2012-2015	All Models	Blower Motor Assembly with wheels	26025702-C91, 26025702-C92	1013011
2012-2015	All Models	Blower Motor Assembly with wheels	26025702-C91,-C92, 3839363-C91,-C92	1013011

BLOWER WHEELS

YEAR	MODEL	DESCRIPTION	OEM NO.	KYSOR NO.
5000, 5000I SERIES (PAYSTAR)				
1997-2015	5000	Blower Wheel (Main and Sleeper) with 6" Diameter , CCW, Plastic	1699947-C1	1113003
1982-1997	5000 Series	exc. with Lower Heater Model #488891C97	465502-C1, ZGG14606	1113002
9000 – 9900I, IX, EAGLE				
1997-2015	9000	Blower Wheel (Main and Sleeper) with 6" Diameter , CCW, Plastic	1699947-C1	1113003
1997-2002	9000 Series	Blower Wheel (Main and Sleeper) with 6" Diameter , CCW, Plastic	1699947-C1, BSM510027	1113003
ALL OTHER MODELS				
2001-2015	All Models	All with 6" Diameter , CCW, Plastic	1699947-C1	1113003
1979-2002	All Models	All Models with CW, plastic blower wheel; (exc. 8300 Ser. Sleeper)	465502-C1, 1693199-C1, BSM302001, ZGG14606	1113002
1991-2000	All Models	All Models with Main Unit without sleeper (premium)	HC1385	1113002

BLOWER WHEELS

YEAR	MODEL	DESCRIPTION	OEM NO.	KYSOR NO.
All	All Models	All	1-4955Q	1199035
All	All Models	All	1691701-C1	1115001
All	All Models	All	1691727-C1	1199035
All	All Models	All	1691728-C1, 1691731-C1	1199035
2001-2015	All Models	Blower Wheel (Main and Sleeper) with 6" Diameter , CCW, Plastic	1699947-C1	1113003
All	All Models	Blower Wheel, reversible	1691701-C1	1199008
All	All Models	Blower Wheel, reversible	1-4955Q	1199035
All	All Models	Blower Wheel, reversible	1691727-C1	1199035
All	All Models	Blower Wheel, reversible	1691728-C1, 1691731-C1	1199035

CLUTCHES

YEAR	MODEL	DESCRIPTION	OEM NO.	KYSOR NO.
ALL OTHER MODELS WITH SANDEN - STYLE COMPRESSOR				
All	SD7H15HD	2 groove 5-1/4" Diameter (4647) (4639)	6504-6310, 6511-6210	1399041
ALL OTHER MODELS WITH YORK/T/CCI - STYLE COMPRESSOR				
All	All Models	2 groove 6" Diameter 1 wire, without Weatherpack	1687819C1, 1676647C1, 165338C91, 165129C91, 1-2135, 332639	1380003
All	All Models	1 groove 6 3/4" Diameter (2 3/4 mounting distance) 1 wire	10586, 1-1553, 16766601-C1, 39358091-C91, 395083C91, 481802C91, 481802C91, 502393, ZGG11553	1312001
All	All Models	6 groove 5.8" Diameter 1 wire Weatherpack; Forward Offset Pulley	ZGG19320	1312002
All	All Models	6 groove 5.8" Diameter 2 wires, Metripack	ZGG19323	1380004
All	All Models	1 groove 6" Diameter 1 wire with 2-11/16" mounting dist; with 5/8" belt groove	2016403-C1, 2016403-C2, 2597641-C91, 14196, 515528	1313002
All	All Models	2 groove 6" Diameter 1 wire, without Weatherpack	1687819C1, 1676647C1, 165338C91, 165129C91, 85834, 332639	1313005
All	All Models	2 groove 6" Diameter 1 wire with 2-11/16" mounting dist; with IHC connector	1669745C91, 481805C91, 502966	1313006
All	All Models	2 groove 6" Diameter 1 wire, with diode & Weatherpack	024-21590, 1647566C91, 165129C91, 1-1566, 14192, 501939, ZGG11566	1380001
All	All Models	6 groove 5-7/8" Diameter 1 wire	513352, 1687780C92, 2597637-C91, 14194, ZGG18414	1380005
All	All Models	8 groove 6-5/16" Diameter 2 wires	ZGG19841	1380006
All	All Models	2 groove 7" Diameter 12V; 1 wire	332334, 1687801C91, 481806C91, ZGG12136	1399004
All	All Models	1 groove 6" Diameter 1 wire with 2-11/16" mounting dist; with 1/2" belt groove	14190, 481800-C91, 502409, ZGG12141	1399005
All	All Models	8 groove 1 wire Weatherpack 6.3" Diameter pulley	1818128C2, 2597643-C91, 14444, 14195, 515376	1380007
All	All Models	6 groove 5.8" Diameter 2 wires Metripack, Forward Offset Pulley	ZGG704000	1399008
All	All Models	1 groove 6" Diameter 1 wire with 2-11/16" mounting dist; with 1/2" belt	14191, 1653480-C91, 508888	1399013

International

COMPRESSORS

YEAR	MODEL	DESCRIPTION	OEM NO.	KYSOR NO.
ALL OTHER MODELS WITH SANDEN - STYLE COMPRESSOR				
All	All Models	with 8 groove 119mm Direct with GWA (4816, 4544)	3547917-C1, 3628700-C1	1410046
All	All Models	with 12 groove 126 mm Direct Mount 4018 Hd (4675)	3817874-C1	1401511
All	All Models	with 2 groove 132mm (4644, 4647)	2040708-C91	1410016
All	All Models	with 6 groove 125mm Direct with GWA Hd (4815) (OE 2602121-C91 is QUE Mfg. / #5347 is Genuine Sanden)	2602121-C91	1401426
All	All Models	with 6 groove 125mm Direct with GWA Hd (4815)	3541235-C91	1401426
All	All Models	with 6 groove 125mm Direct with GWA Hd (4546)	3628699-C1	1401426
All	All Models	with 6 groove 133mm Direct; SPRHD (4578)	SKI4578	1401509
All	All Models	with 7 groove 119mm Ear Mount with vertical O-ring (4645)	2003413-C91	1412001
All	All Models	with 8 groove 119mm Ear Mount (4660)	SD4660	1410043
All	All Models	with 8 groove 119mm Direct Mount, Special Hd (4418)	3582435-C1	1410088
All	All Models	with 8 groove 119mm Direct Mount 2 wires (4876)	3664395-C1	1401111
All	All Models	with 8 groove 119mm Direct Mount 2 wires 4347 Hd (4720)	3808548-C1	1401478
All	All Models	with 7 groove 119mm Ear Mount with vertical O-ring (4645)	2003413-C91	1401110
All	All Models	with 8 groove 119mm Direct with GWA (4816, 4544)	3547917-C1, 3628700-C1	1401407
All	All Models	with 6 groove 125mm Direct with GWA Head (4815 & 4546)	2602121-C91, 3541235-C91, 3628699-C1, 3615169-C2	1401426
All	All Models	with 2 groove 132 mm (4644, 4647)	2040708-C91	1401115
All	All Models	with 6 groove 125 mm Diameter Direct Mount (4761)	2032287-C91	1401127
All	All Models	with 8 groove 119mm Direct mounting with JDA Head (4822)	3551405-C1	1401133
All	All Models	with 8 groove 119mm Ear Mount (4660)	SD4660	1401373
All	All Models	with 8 groove 119mm Direct Mount, Special Head (4418) 3582435-C1	3582435-C1	1401389
All	All Models	with 10 groove 119mm Direct Mount, (4347)	3611894-C91	1401422
All	All Models	with 12 groove 126 mm Direct Mount JDA Head (4678)	SD 4678	1401474
All	All Models	with 8 groove 119mm Direct Mount 2 wires 4347 Head (4720)	3808548-C1	1401478
All	All Models	with 8 groove 119mm Direct; 5393 Enhanced Version (4277)	SD4277	1401494
All	All Models	with 10 groove 126 mm Direct Mount 4018 Head (4018)	3811773-C1	1401497
ALL OTHER MODELS WITH YORK/T/CCI - STYLE COMPRESSOR				
1993-2001	All Models	T/CCI HD with Rotalock with T/CCI tag no. ER210L-xxxxxx	417888C92, 117841C91, 417886C92, 492413C91, 683596C91	1411001

COMPRESSORS

YEAR	MODEL	DESCRIPTION	OEM NO.	KYSOR NO.
1993-2001	All Models	T/CCI HD with Tube-O with T/CCI tag no. ET210L-xxxxxx	2000820C91, 2502459-C91, 1-9254, 417887C93, 488-21909, 488-25063, 554712C91	1411002
1993-2001	All Models	T/CCI H/D with Tube-O	2000820C91, ET210L-2502459-C91, 2685996, 417887C93, 488-21909, 488-25063, 554712C91	1402002
1993-2001	All Models	with 8 groove clutch 2 wires	ET210L-25246C	1411016
1993-2001	All Models	with 6 grooveclutch 2 wires with forward offset pulley	ET210L-252430	1411002

CONDENSERS

YEAR	MODEL	DESCRIPTION	OEM NO.	KYSOR NO.
1000 SERIES (FORWARD CONTROL)				
1993-2002	1552, 1652	All Models with R134a	1667340-C5	1513007
1993-2002	1652	All Models with 7.3L engine, R134a	2000655-C1	1513008
2000 SERIES				
1993-2002	2500, 2600	Condenser All (exc. DTA466) with R134a System	1675462-C2	1513011
1995-2002	2000	All 2000 Models	2004801-C3	1513017
4000 SERIES (DURASTAR)				
1993-1999	4600-4900	(with DTA360/466) with R134a system (exc. S/N 12851)	1667340-C5	1513007
1990-1994	4700-4900	All with DT466 & DT360 engine	1667340-C5	1513007
2003-2007	All Models	Condenser Coil, 24-21/64" x 21-23/64" x 5/8"	1E5633, 2505650-C92, 2586812-C93	1513028
2002-2007	All Models	All with Single Block Type Connection	1E5114, 2508698-C91, 2508698-C93	1513029
2008-2011	All Models	Condenser Coil, 24-33/100" x 21-46/100" x 1/32"	2593329-C91, 1E5956	1513035
2012-2015	All Models	All	2601796-C91	1513011
2002-2007	All Models	All with (2) Separate Connections	1E5001, 2507482-C91, C94	1513027
1993-2002	4600-4900	4600-4900 (with 7.3 L engine) R134a	2000655-C1	1513008
5000, 5000I SERIES (PAYSTAR)				
1992-1996	5000	Condenser All (exc. BC III) with R134a System	1675462-C1	1513011
1990-1991	5000	SBA with Cummins L10/88NT (Before 1/15/91)	483479-C1	1513011
2000-2007	All Models	All with Single Block Type Connections	2508698-C91	1513029
2006-2007	All Models	with 20-1/8" x 23-5/8" x 5/8" Pad fittings	2585373-C2	1513032
2008-2012	All Models	with 15-3/4" x 32-3/4" x 5/8"	2591621-C91	1513033
2013-2015	All Models	All 18-1/2"x31-1/4"x3/4"	2604851-C91, 258612-C93	1513034
1983-1991	5000	SBA with Cummins L10/88NT (Before 1/15/91)	483479-C1	1513011
7000 SERIES (WORKSTAR)				
2001-2007	All Models	Condenser Coil, 24-21/64" x 21-23/64" x 5/8"	1E563, 2505650-C92, 2586812-C91, 3548907-F93	1513028
2000-2007	All Models	All with Single Block Type Connection	1E5114, 2508698-C91	1513029

International

CONDENSERS

YEAR	MODEL	DESCRIPTION	OEM NO.	KYSOR NO.
2008-2011	All Models	with 15-3/4" x 32-3/4" x 5/8" Pad fittings	2591621-C91	1513033
2001-2007	All Models	All with (2) Separate Connections	1E5001, 2507482-C91	1513027
8000 SERIES (TRANSTAR)				
2001-2007	All Models	All with (2) Separate Connections	1E5001, 2507482-C91	1513027
1989-1993	8100	with Cummins L10, Cat 3176 (7100 Series with DT466)	1667340-C4, 1-5759	1513007
1993-2000	8000	All 8200, 8300 Models with R134a	1675462-C2	1513011
1990-1993	8300	with Cummins L10, 88NT, Cat 3176/3406; and Cummins N14 (Before 1/15/91) (exc. 134a)	483479-C1, ZGG15998	1513011
1995-2000	8000	All Models	2004801-C3	1513017
2001-2007	All Models	Condenser Coil, 24-21/64" x 21-23/64" x 5/8"	1E563, 2505650-C92, 2586812-C91, 3548907-F93	1513028
2000-2007	All Models	All with Single Block Type Connection	1E5114, 2508698-C91	1513029
2008-2011	All Models	with 15-3/4" x 32-3/4" x 5/8" Pad fittings	2591621-C91	1513033
9000 – 9900I, IX, EAGLE				
2013-2015	All Models	All 18-1/2"x31-1/4"x3/4"	2604851-C91	1513034
2008-2012	All Models	with 32"x16"x3/4" Pad fittings	2591836-C91	1513033
2000-2007	All Models	All with Single Block Type Connection	1E5114, 2508698-C91	1513029
2000-2008	All Models	All with (2) Separate Connections	1E5001, 2507482-C91	1513027
2001-2007	All Models	with 20-1/8" x 23-5/8" x 5/8" Pad fittings	2585373-C2	1513032
1999-2002	9000	with 20" x 33-3/4" x 7/8" MIO Fittings	3504377-C1	1513001
1995-2000	9000	9200 with R134a	2004801-C3	1513017
1993-2000	9000	All 9600, 9700 Models with Big Cam III	501118-C3	1513022
1992-2000	9000	9400 Models with R134a	1675462-C2	1513011
1993-1999	9000	9200 with R134a System	2004801-C1	1513017
1993-1999	9000	9300 with R134a System	2009378-C1	1513004
1992-1999	9000	All 9370 Models with R134a	586908-C92	1513022
1993-1999	9000	9300 with R134a System	2009378-C1	1513004
LONESTAR				
2010-2012	All Models	with 32-3/4" x 15-3/4" x 5/8" Pad fittings	2591621-C91	1513033
2010-2011	All Models	with 32"x16"x3/4" Pad fittings	2591836-C91	1513033
PROSTAR				
2010-2011	All Models	with 32"x16"x3/4" Pad fittings	2591836-C91	1513033
2010-2012	All Models	with 32-3/4" x 15-3/4" x 5/8" Pad fittings	2591621-C91	1513033
2007-2009	ProStar	with 32-3/4" x 15-3/4" x 5/8" Pad fittings	2591621-C91	1513033

EVAPORATORS

YEAR	MODEL	DESCRIPTION	OEM NO.	KYSOR NO.
2000 SERIES				
1995-2002	2000	All Models with Bergstrom system	1696844-C1	1613003
4000 SERIES (DURASTAR)				
2001-2007	All Models	Evaporator Coil All with 11" x 9-1/2" with M12 Switch Port	1694713-C1	1613002
1995-2000	All Models	All with Bergstrom system	1696844-C1	1613003

EVAPORATORS

YEAR	MODEL	DESCRIPTION	OEM NO.	KYSOR NO.
2011-2015	All Models	Evaporator Coil, 11" x 7" x 2-3/8"	2602571-C91	1613009
2008-2011	All Models	Main Cab 6-5/8" x 12-1/16" x 2-5/8" with Behr A/C	3670132-C1	1613011
5000, 5000I SERIES (PAYSTAR)				
1993-1998	5000	Evaporator Coil (Front Unit) with R134a system	1691468-C1	1613006
1997-1999	All Models	Evaporator Coil for all daycab Models without sleeper	1691468-C1	1613006
2000-2012	All Models	Evaporator Coil with 10" x 13" x 2-5/8"	1699950-C1	1613007
2013-2015	All Models	Evaporator Coil, 10" x 13" x 2-9/16"	2612564-C1	1613012
7000 SERIES (WORKSTAR)				
2001-2007	All Models	Evaporator Coil All with 11" x 9-1/2" with M12 Switch Port	1694713-C1	1613002
2011-2015	All Models	Evaporator Coil, 11" x 7" x 2-3/8"	2602571-C91	1613009
2008-2011	All Models	Main Cab 6-5/8" x 12-1/16" x 2-5/8" with Behr A/C	3670132-C1	1613011
8000 SERIES (TRANSTAR)				
2001-2007	All Models	Evaporator Coil All with 11" x 9-1/2" with M12 Switch Port	1694713-C1	1613002
1995-1997	8000 – 8300	Evaporator Coil All Models	1696844-C1	1613003
1993-1996	8000	Evaporator Coil (Front Unit) with R134a system	1691468-C1	1613006
2011-2015	All Models	Evaporator Coil, 11" x 7" x 2-3/8"	2602571-C91	1613009
2008-2011	All Models	Main Cab 6-5/8" x 12-1/16" x 2-5/8" with Behr A/C	3670132-C1	1613011
9000 – 9900I, IX, EAGLE				
1997-1999	9100 – 9400	Evaporator Coil for all daycab Models without sleeper	1691468-C1	1613006
1993-1996	9200 – 9800	Evaporator Coil (Front Unit) with R134a system	1691468-C1	1613006
1991-1998	9200 – 9800	Evaporator Coil with 10" x 13" x 2-5/8"	1699950-C1	1613007
1998-2012	9200 – 9900	Evaporator Coil with 10" x 13" x 2-5/8"	1699950-C1	1613007
2013-2015	All Models	Evaporator Coil, 10" x 13" x 2-9/16"	2612564-C1	1613012
LONESTAR				
2011-2015	All Models	Evaporator Coil, 11" x 7" x 2-3/8"	2602571-C91	1613009
2007-2010	All Models	ProStar Main Cab	3599580-C2	1613010
2007-2012	All Models	Main Cab 6-5/8" x 12-1/16" x 2-5/8" with Behr A/C #8 #10 Bead Ends – Plate & Fin	3670132-C1, 3670125-C91	1613011
PROSTAR				
2011-2015	All Models	Evaporator Coil, 11" x 7" x 2-3/8"	2602571-C91	1613009
2007-2010	All Models	ProStar Main Cab	3599580-C2	1613010
2007-2012	All Models	Main Cab 6-5/8" x 12-1/16" x 2-5/8" with Behr A/C #8 #10 Bead Ends – Plate & Fin	3670132-C1, 3670125-C91	1613011
TERRASTAR (CLASS 4/5)				
2011-2015	All Models	Evaporator Coil, 11" x 7" x 2-3/8"	2602571-C91	1613009

International

EXPANSION VALVES AND ORIFICE TUBES

YEAR	MODEL	DESCRIPTION	OEM NO.	KYSOR NO.
2000 SERIES				
1999-2001	2000	Expansion Valve (Block type) flange fittings All with Bergstrom System	1696846-C3	1813016
1995-2000	2000	Expansion Valve (Block type) flange fittings All with Bergstrom System	1696846-C1, 1696846-C2	1813016
2001-2002	All Models	Orifice Tube (purple) with green HNBR, O-rings	3548044-C1, 3542578-C2	1813008
2001-2002	All Models	with Orifice Tube (purple) Replacement Inlet Tube (uses#1662 not included)	3548044-C1, BOA80-305-00-949	1813008
1997-2001	All Models	All with Main Unit with flange type block valve	2503783-C91	1813016
1999-2001	2000	All with Main Unit with flange type block valve	1696846-C3	1813016
1974-1987	2010-2050	All Models with flare fitting	168903-C1, 393352-C1, EA1385	1813002
4000 SERIES (DURASTAR)				
1995-2001	4000	All with Main Unit with flange type block valve	2503783-C91, 1696846-C3, 1696846-C2	1813016
1994-1998	4700	Expansion Valve (Block type) flange fittings All with Bergstrom System	1696846-C1, ZGG19276, 540044P, 1696846-C2, 1696846-C3, 1609	1813016
1995-2001	4000	Expansion Valve (Block type) flange fittings All with Bergstrom System	2503783-C91, 1696846-C2, 1696846-C3	1813016
2010-2012	All Models	Block Valve	3857948-C1, 3857948-C2	1813012
2009-2011	All Models	Block Valve, O-ring Type – 1-1/2 ton Rating	3660853-C2	1818006
1990-2000	4000	Expansion Valve (Right Angle type) All with externally equalized without O-ring fitting	1691469-C2	1813017
1991-1994	4600 – 4900	Expansion Valve (Right Angle type) All with externally equalized without O-ring fitting	1691469-C2	1813017
1974-1984	4200, 4300, Transtar II	All with externally equalized with flare fitting	1691711-C1	1899008
1973-1982	4000	All Models with ext equalized without O-ring fitting	454608-C1	1899026
2001-2008	All Models	with Orifice Tube (purple)	3548044-C1	1813008
All	All Models	Replacement Inlet Tube (#1662 not included)	3542578-C2, BOA80-305-00-949	4399131
5000, 5000I SERIES (PAYSTAR)				
2001-2012	All Models	Block Type M10, M12 Ports – 2 ton Rating	2501794-C92	1813007
1990-1993	5000	Expansion Valve (Right Angle type) All with externally equalized with flare fitting	1691711-C1, 426147-C1	1899008
1990-2000	5000	Expansion Valve (Right Angle type) All with externally equalized without O-ring fitting	1691469-C2	1813017
1997-1999	5000	Expansion Valve (Right Angle type) All with externally equalized without O-ring fitting	1691469-C2, 469475-C1, ZGG12029	1813017
1991-1992	5000	All with externally equalized without O-ring fitting	EA1410, 469475-C1, ZGG12029	1813017
2001-2012	All Models	Expansion Valve Kit use #1612 with (2) bolts	1669955-C1, 2501794-C92, 2501794-C93	1813019
1973-1993	5000	All with externally equalized with flare fitting	1691711-C1, 426147-C1	1899008
1973-1982	5000	All with externally equalized without O-ring fitting	454608-C1	1899026

EXPANSION VALVES AND ORIFICE TUBES

YEAR	MODEL	DESCRIPTION	OEM NO.	KYSOR NO.
7000 SERIES (WORKSTAR)				
2009-2011	All Models	Block Valve, O-ring Type – 1-1/2 ton Rating	3660853-C2	1818006
1990-2000	7000	Expansion Valve (Right Angle type) All with externally equalized without O-ring fitting	1691469-C2	1813017
8000 SERIES (TRANSTAR)				
1989-1993	8300	Sleeper Expansion Valve (Block Type)	1669337-C1	1899046
1997-2001	8000	All with Main Unit with flange type block valve	2503783-C91	1813016
1999-2000	8000	Expansion Valve (Block type) flange fittings All with Bergstrom System	1696846-C3	1813016
1995-2000	8000	Expansion Valve (Block type) flange fittings All with Bergstrom System	1696846-C2	1813016
2001-2008	8000	with Orifice Tube (purple) Replacement Inlet Tube (uses # 2001062 not included)	3548044-C1, 3542578-C2	1813008
2009-2011	All Models	Block Valve, O-ring Type – 1-1/2 ton Rating	3660853-C2	1818006
1990-2000	8000	Expansion Valve (Right Angle type) All with externally equalized without O-ring fitting	1691469-C2	1813017
1991-1992	8000 – 8300	Expansion Valve (Right Angle type) All with externally equalized without O-ring fitting	1691469-C2	1813017
9000 – 9900I, IX, EAGLE				
2001-2013	All Models	Block Type M10, M12 Ports - 2 ton Rating, Expansion Valve Kit use #1612 with (2) bolts	2501794-C92, 2501794-C92, -C93	1813007
2001-2013	All Models	Block Type M10, M12 Ports - 2 ton Rating, Expansion Valve Kit use #1612 with (2) bolts	1669955-C1	1813019
2001-2008	All Models	with Orifice Tube (purple) Replacement Inlet Tube (uses#1662 not included)	3548044-C1, 3542578-C2	1813008
2000-2003	All Models	wSleeper with flange, block type; Consult TSB99-16-02 (replaces old style valve on 5/1/97-1/5/99)	2501794-C92, 1699955-C2	1813007
1997	9200 – 9400	PRO Sleeper with flange, block type; Consult TSB99-16-02	1699955-C2	1813007
2000-2003	All Models	"with Sleeper with flange, block type; Consult TSB99-16-02 2501794-C92 (replaces old style valve on 5/1/97-1/5/99)"	1699955-C2	1813007
2001-2013	All Models	Block Type M10, M12 Ports – 2 ton Rating	2501794-C92	1813007
1990-2000	9000	Expansion Valve (Right Angle type) All with externally equalized without O-ring fitting	1691469-C2	1813017
1991-1996	9000 – 9700	Expansion Valve (Right Angle type) All with externally equalized without O-ring fitting	1691469-C2	1813017
1997-1999	9100 – 9400	Expansion Valve (Right Angle type) All with externally equalized without O-ring fitting	1691469-C2	1813017
1990-1993	9300, 9400, 9600, 9700	All Models with externally equalized without O-ring fitting	469475-C1, ZGG12029	1813017
ALL OTHER MODELS				
All	All Models	Bracket used for #1609 expansion valve	2502132C1	4399136
All	All Models	Bolts used for bracket #0134B	1696859C1,3599587-C1	4399135
All	All (except below)	All Block Type	3688242-C2	1817003
All	All Models	All Block Type	3688242-C2	1817003

International

EXPANSION VALVES AND ORIFICE TUBES

YEAR	MODEL	DESCRIPTION	OEM NO.	KYSOR NO.
LONESTAR				
2007-2011	All Models	REar Auxiliary	BOA96398, 3613243-C91, 3599589-C1	1813014
2007-2012	All Models	Front Main Cab	3660853-C2, BOA96398, 3613243-C91, 3599589-C1	1818006
2007-2012	All Models	Front Main Cab	3660853-C2	1899047
PROSTAR				
2007-2012	All Models	Front Main Cab	3660853-C2	1899047
2007-2011	All Models	REar Auxiliary	BOA96398, 3613243-C91, 3599589-C1	1813014
2007-2012	All Models	Front Main Cab	3660853-C2, BOA96398, 3613243-C91, 3599589-C1	1818006
TERRASTAR (CLASS 4/5)				
2012-2015	All Models	Block Pad Mount, 2 ton #8 #10	3660855-C1	1813012

HEATER CORES

YEAR	MODEL	DESCRIPTION	OEM NO.	KYSOR NO.
2000 SERIES				
1995-2002	2000	All Main Unit	1696843-C1	1713003
4000 SERIES (DURASTAR)				
2012-2015	4000	All	2602575-C91, 3839270-C1	1713010
1995-2011	4000	All	3542604-C2,-C3, BOA85-471-77-009	1713007
1995-2002	4000	All 4600, 4900 Models	1696843-C1	1713003
1991-1994	4000	All 4600, 4900 Models	474030-C2	1713001
5000, 5000I SERIES (PAYSTAR)				
2013-2015	All Models	All	2612565-C1	1713013
2000-2012	All Models	Main 9-1/8" x 10" x 5/8"; OUT 3/4"	2594124-C1, 2593489-C1	1713009
1997-2010	All Models	Main	2501238-C1, 1699951-C1	1713005
1982-2001	All Models	All	501099-C91	1713004
1993-1994	5000	All 5000 Models	474030-C2	1713001
7000 SERIES (WORKSTAR)				
2012-2015	All Models	All	2602575-C91, 3729426-C1	1713010
1995-2011	All Models	All	3542604-C2,-C3, BOA85-471-77-009	1713007
8000 SERIES (TRANSTAR)				
2012-2015	All Models	All	2602575-C91, 3729426-C1	1713010
1995-2011	All Models	All	3542604-C2,-C3, BOA85-471-77-009	1713007
1991-2002	8000-8300	All Main Unit	1696843-C1	1713003
1991-1994	8000-8300	All Main Unit	474030-C2	1713001
9000 – 9900I, IX, EAGLE				
2013-2015	All Models	All	2612565-C1	1713013
2000-2012	All Models	Main 9-1/8" x 10" x 5/8"; OUT 3/4"	2594124-C1, 2593489-C1	1713009
1997-2010	All Models	Main	2501238-C1, 1699951-C1	1713005

HEATER CORES

YEAR	MODEL	DESCRIPTION	OEM NO.	KYSOR NO.
1982-2001	9100-9900	All	501099-C91	1713004
1993-1994	9200-9700	All 9200-9700 Models with OE	474030-C2	1713001
LONESTAR				
2012-2015	All Models	All	2602575-C91, 3729426-C1	1713010
2010-2012	All Models	REar Auxiliary 10-3/8" x 6" x 1-5/8"	3599598-C1	1713012
PROSTAR				
2012-2015	All Models	All	2602575-C91, 3729426-C1	1713010
2010-2012	All Models	REar Auxiliary 10-3/8" x 6" x 1-5/8"	3599598-C1	1713012
TERRASTAR (CLASS 4/5)				
2007-2012	All Models	Front Main Cab	3542604-C3	1713007

RECEIVER DRIERS/ACCUMULATORS

YEAR	MODEL	DESCRIPTION	OEM NO.	KYSOR NO.
2000 SERIES				
1993-2002	2000	All Models with 3/8" x 11/16" female fitting with R134a port	2000821-C1	1913014
4000 SERIES (DURASTAR)				
1990-1997	4000	All Models with 3/8" x 11/16" female fitting R12/134a	454613-C1	1913013
1993-2002	4000	All Models with 3/8" x 11/16" female fitting with R134a port	2000821-C1	1913014
2011-2015	All Models	with Pad Mount Accumulator	3839360-C92, 6102498-C1	1913017
2007-2011	All Models	with Pad Mount Drier	3666273-C1	1913012
2001-2007	All Models	with Pad Mount Accumulator (uses #1400 sensor switch)	3542577-C2	1913015
1973-1997	4000	All Models with 3/8" x 11/16" female fitting R12/134a	454316-C1	1913013
5000, 5000i SERIES (PAYSTAR)				
1990-1992	5000	All Models with 3/8" x 11/16" female fitting R12/134a	454614-C1	1913013
2003-2015	5000, 5000i Series (PayStar)	Receiver Drier 3"Diameter 10" length with 3/8" FMOR x 11/16" FMOR Fittings, 16mm R134a C.P.,with PRV,	1693117-C1	1913014
1993-2002	All Models	with 3/8" x 11/16" Female Fitting, 16mm Port, PRV	2000821-C1, 1693117-C1, BSM319370	1913014
1993-2002	5000, 5000i Series (PayStar)	with 3/8" x 11/16" Female Fitting, 16mm Port, PRV	2000821-C1, 1-9056, 1693117-C1, BSM319370	1913014
2001-2010	All Models	with Pad Mount Accumulator (uses #1400 sensor switch)	3542577-C2	1913015
1977-1992	5000	All Models with 3/8" x 11/16" female fitting R12/134a	454614-C1	1913013
7000 SERIES (WORKSTAR)				
2011-2013	All Models	with Pad Mount Accumulator	3839360-C92	1913017
2007-2010	All Models	with Pad Mount Drier	3666273-C1	1913012
2001-2007	All Models	with Pad Mount Accumulator	3542577-C2	1913015
8000 SERIES (TRANSTAR)				
2001-2007	All Models	with Pad Mount Accumulator	3542577-C2	1913015

International

RECEIVER DRIERS/ACCUMULATORS

YEAR	MODEL	DESCRIPTION	OEM NO.	KYSOR NO.
1977-1992	8000	All Models with 3/8" x 11/16" female fitting R12/134a	454614-C1	1913013
1990-1992	8000	All Models with 3/8" x 11/16" female fitting R12/134a	454614-C1	1913013
1993-2002	8000	All Models with 3/8" x 11/16" female fitting with R134a port	2000821-C1	1913014
2011-2013	All Models	with Pad Mount Accumulator	3839360-C92	1913017
2007-2010	All Models	with Pad Mount Drier	3666273-C1	1913012
9000 – 9900I, IX, EAGLE				
2003-2010	All Models	with Pad Mount Accumulator (uses #1400 sensor switch)	3542577-C2	1913015
1977-1992	9000	All Models with 3/8" x 11/16" female fitting R12/134a	454614-C1	1913013
All	All Models	with Quick Disconnect drier, R134a, with 2 M10 ports	2004050-C1	1912023
1990-1992	9000	All Models with 3/8" x 11/16" female fitting R12/134a	454614-C1	1913013
1993-2015	9000 – 9900i, ix, Eagle	Receiver Drier 3"Diameter 10" length with 3/8" FMOR x 11/16" FMOR Fittings, 16mm R134a C.P.,with PRV, OE 1693117-C1	1693117-C1, 2000821-C1	1913014
2008-2010	All Models	with Pad Mount Drier	3666273-C1	1913012
LONESTAR				
2007-2010	All Models	with Pad Mount Drier	3666273-C1	1913012
PROSTAR				
2007-2010	All Models	with Pad Mount Drier	3666273-C1	1913012
TERRASTAR (CLASS 4/5)				
2012-2015	All Models	with Pad Mount Accumulator	3839360-C92, 6102498-C91, 3839316-C1	1913017
2012-2015	All Models	with Pad Mount Accumulator	6102499-C91, 6102500-C91, 3843558-C92	1913011

RELAYS

YEAR	MODEL	DESCRIPTION	OEM NO.	KYSOR NO.
ALL OTHER MODELS				
All	All Models	20/10 amp. 5 terminal, Normally closed 12V	3685801-C1	4099150
All	All Models	40/30 amp. 5 terminal, with diode 12V	2012557-C1	2010009
1986-1993	All Models	All Models with Kysor A/C (mini relay)	ZGG16520	2099003
All	All Models	40/30 amp. 5 terminal, with diode 12V	2012557-C1	2099002
All	All Models	20/10 amp. 5 terminal, Normally closed 12V	3685801-C1	4099150

RESISTORS

YEAR	MODEL	DESCRIPTION	OEM NO.	KYSOR NO.
4000 SERIES (DURASTAR)				
2002-2007	All Models	Blower Resistor 5 Terminal	3562102-C1	2013005
1997-2002	All Models	with 3 speed resistor	2500918-C1	2013004
1991-2002	All Models	All with 3 speed 3 terminal resistor	1696836-C1, 650179	2099004

RESISTORS

YEAR	MODEL	DESCRIPTION	OEM NO.	KYSOR NO.
1974-1991	All Models	All 4070, 4200, 4300	506552-C1, BSM321010, ZGG14512	2013003
1990-1991	All Models	All 4070, 4200, 4300	506552-C1, BSM321010, ZGG14512	2013003
1997-2002	All Models	with 3 speed resistor	2500918-C1	2099005
5000, 5000I SERIES (PAYSTAR)				
2000-2015	5000	with 4 speed; 4 terminal resistor	2503727-C1	2017001
2007-2010	All Models	Resistor – LPM Module	3626414-C1	2113011
2002-2007	All Models	Blower Resistor 5 Terminal	3562102-C1	2013005
1996-2000	5000	All with 3 speed resistor	2500918-C1	2013004
1983-1993	5000	All Models	506552-C1, ZGG14512	2013003
1990-1993	5000	All with 4 speed resistor	506552-C1, ZGG14512	2013003
1996-2000	5000	All with 3 speed resistor	2500918-C1	2099005
7000 SERIES (WORKSTAR)				
2002-2007	7000	Blower Resistor 5 terminal	3562102-C1	2013005
8000 SERIES (TRANSTAR)				
1977-1993	8300	All Models with sleeper resistor	RD5-36470, 1669332-C1	2099005
1990-1993	8000	All with 3 speed resistor; 4 Terminal	506552-C1, BSM321010, ZGG14512	2013003
2002-2007	8000	Blower Resistor 5 terminal	3562102-C1	2013005
1990-1993	8300	All Models with sleeper resistor	RD5-36470, 1669332-C1	2099005
9000 – 9900I, IX, EAGLE				
2000-2015	All Models	with 4 speed; 4 terminal resistor	2503727-C1	2012001
2002-2007	All Models	Blower Resistor 5 Terminal	3562102-C1	2013005
1996-2000	9000i	All with 3 speed resistor	2500918-C1	2013004
1982-2000	9000	All 9200-9800 with 3 speed resistor; 4 terminal	506552-C1, BSM321010	2013004
1990-2000	9000	All 9200-9800 with 3 speed resistor; 4 Terminal	506552-C1, BSM321010	2013003
2002-2007	All Models	Blower Resistor 5 Terminal	3562102-C1	2013005
2000-2015	All Models	with 4 speed; 4 Terminal resistor	2503727-C1	2017001
1996-2000	9000i	All with 3 speed resistor	2500918-C1	2099005
2007-2010	All Models	Resistor – LPM Module	3626414-C1	2113011
ALL OTHER MODELS				
All	All Models	with 3 speed resistor; 4 terminal	469458-C1, ZGG14611	2013004
All	All Models	Blower Resistor with 3 terminal	1669332-C1	2099005
LONESTAR				
All	All Models	with 3 speed resistor; 4 Terminal	469458-C1, ZGG14611	2013003
All	All Models	Blower Resistor with 3 Terminal	RD5-36470, 1669332-C1, 2500918-C1	2099005
2007-2013	All Models	Resistor – LinEar Power Module (LPM)	3626414-C1	2113011
PROSTAR				
All	All Models	with 3 speed resistor; 4 Terminal	469458-C1, ZGG14611	2013003
All	All Models	Blower Resistor with 3 Terminal	RD5-36470, 1669332-C1, 2500918-C1	2099005
2007-2013	All Models	Resistor – LinEar Power Module (LPM)	3626414-C1	2113011

International

SEALS

YEAR	MODEL	DESCRIPTION	OEM NO.	KYSOR NO.
ALL OTHER MODELS				
All	Compressor Head	Suction O-ring for WG Head	3543728-C1	2799208
All	Compressor Head	Discharge O-ring for WG Head	3543727-C1	2799105
All	Compressor Head	Small Flange Gasket for WGA Head	3543881-C1	2799211
All	Compressor Head	Large Flange Gasket for WGA Head	3543881-C1	2799212

SWITCHES - BLOWER

YEAR	MODEL	DESCRIPTION	OEM NO.	KYSOR NO.
4000 SERIES (DURASTAR)				
1974-1991	4000	4070, 4200, 4300 with toggle switch	434297-C1	2113003
1990-1991	4000	4070, 4200, 4300 with toggle switch	434297-C1	2113001
8000 SERIES (TRANSTAR)				
1977-1993	8000	Blower Switch 5 Terminal	472253-C1	2113002
1990-1993	8000	Blower Switch 5 Terminal	472253-C1	2113002
1990-1993	8000 Series (TranStar)	Blower Switch 5 Terminal, 3 Speed, Short Shaft, Universal 12V or 24V	1661420-C1, 1151	2199010
1990-1993	8300	Blower Switch Heater (Sleeper) DPDT 4 Terminal	1669348-C1	2199104
9000 – 9900I, IX, EAGLE				
1999-2008	All Models	Blower Switch Universal 12V or 24V	1661420C1	2118003
1982-2000	All Models	Blower Fan Switch 10 terminal	501087C3, ZGG14469	2113001
1982-1993	9600,9700	Blower Fan Switch 10 terminal	501087-C3, 501087-C1, ZGG14469	2113001
1990-1993	9600, 9700	Blower Fan Switch 10 Terminal	501087-C3, 501087-C1, ZGG14469	2113003
1990-2000	All Models	Blower Fan Switch 10 Terminal	501087C3, ZGG14469	2113003
1999-2008	9000 – 9900i, ix, Eagle	Blower Switch Universal 12V or 24V	1661420C1	2199010
ALL OTHER MODELS				
All	All Models	Blower Heater Switch 5 terminal SPST	ZGG16523	2199008
All	All Models	Blower Switch Universal 12V or 24V	INM2G754A	2199026
All	All Models	Blower Switch 4 terminal	434297-C1	2113003
All	All Models	Blower Switch 4 Terminal	434297-C1	2113001
All	All Models	Blower Heater Switch 5 Terminal SPST	ZGG16523	2199008
2001-2010	All other Models	Blower Switch Universal 12V or 24V	1661420-C1	2199010
LONESTAR				
2007-2010	All Models	Sensor, Heater Constant Discharge (Auxiliary A/C)	3612055-C3	2113014
PROSTAR				
2007-2010	All Models	A/C Control Blower Switch	3600338-C1	2113012
2007-2010	All Models	A/C Manual Control Blower Switch	3600339-C1	2113013
2007-2010	All Models	Sensor, Heater Constant Discharge (Auxiliary A/C)	3612055-C3	2113014
S-LINE				
1984-1992	S-line	Toggle Switch On/Off 3 terminal	ZGG11601, 221005	2199009
1977-1992	S-line	Blower Switch 5 Terminal	472253-C1, ZGG14512	2113002

SWITCHES - BLOWER

YEAR	MODEL	DESCRIPTION	OEM NO.	KYSOR NO.
1977-1992	S-line	Blower Switch Universal 12V or 24V	1661420C1	2118003
1990-1992	S-line	Blower Switch 5 Terminal	472253-C1, ZGG14512	2113002
1990-1992	S-line	Toggle Switch On/Off 3 Terminal	ZGG11601, 221005	2199009
1990-1992	S-line	Blower Switch 5 Terminal, 3 Speed, Short Shaft, Universal 12V or 24V	1661420-C1, 1151	2199010

SWITCHES - LPM

YEAR	MODEL	DESCRIPTION	OEM NO.	KYSOR NO.
ALL OTHER MODELS				
All	All Models	Control Module	3693481-C1, 3839275-C1	2013007

SWITCHES - PRESSURE

YEAR	MODEL	DESCRIPTION	OEM NO.	KYSOR NO.
2000 SERIES				
1990-1996	2000	Low Pressure – Normally Closed, 30/7 psi 1/4" SAE	587977-C1	2213001
1990-1996	2000	High Pressure – Normally Open, 1/4" Female, 250 /375 psi,	441821-C1	2213002
1990-1996	2000	Low Pressure – Normally Open, opens 10/ closes 42psi, 1/4" Thread	442183-C2	2299001
1983-1996	2000	High Pressure - Normally Open, 1/4" Female, 250/375 psi,	441821-C1	2213002
1989-1996	2000	Low Pressure - Normally Closed, 30/7 psi 1/4" SAE	587977-C1	2213001
1977-1996	2000	Low Pressure, Normally Open, opens 10/ closes 42 psi, 1/4" Thread	442183-C2	2275012
4000 SERIES (DURASTAR)				
1990-1991	4070A/B, 4200	High Pressure – Normally Open, 1/4" Female, 250/375 psi	441821-C1	2213002
2006-2010	All Models	Switch High pressure – Normally Closed, 250/100 psi 1/4" Female	1651985-C1	2213003
1991-2000	4600-4900	Switch High Pressure – Normally Open, M10 Thread, 2 pin (green)	1616787-C1, BSM318000	2213007
1990-1992	4070	High Pressure – Cycling Switch, Normally Closed, 300/210 psi	480869-C1	2213010
1991-2000	4600-4900	Low Pressure – Normally Closed, 35/5psi	1676786-C1, BB1385, BSM318004	2213016
1990-1992	4000	High Pressure – Normally Closed, 300/200 psi 1/4" SAE	544975-C1	2275013
1990-1996	4000	Low Pressure – Normally Open, 10 /42 psi, 1/4" Thread	544976-C1	2299001
2001-2013	All Models	HVAC Thermistor Sensor; M12 Threads (use #1544 Harness)	3548043-C1, 3622764-C1	2213014
2006-2010	All Models	Pressure - Transducer 3 Pin, M10 (Brown)	3546241-C1	2213013
1991-2000	4600-4900	High Pressure - Normally Open, M10 Thread, 2 pin (green)	1616787-C1, BSM318000	2213007
1974-1992	4070	High Pressure - Cycling Switch, Normally Closed, 300/210 psi	480869-C1	2213010
1974-1991	4070A/B, 4200	High Pressure - Normally Open, 1/4" Female, 250.375 psi	441821-C1	2213002

International

SWITCHES - PRESSURE

YEAR	MODEL	DESCRIPTION	OEM NO.	KYSOR NO.
1991-2000	46--4900	Low Pressure - Normally Closed, 35/5 psi	1676786-C1, BB1385, BSM318004	2213016
1977-1996	4000	Low Pressure, Normally Open, 10/42 psi, 1/4" Thread.	544976-C1	2275012
5000, 5000I SERIES (PAYSTAR)				
1990-1996	5000	Low Pressure – Normally Closed, 30/7 psi 1/4" SAE	587977-C1	2213001
1990-1993	5000	High Pressure – Normally Open, 1/4" Female, 250 /375 psi	442182-C1, ZGG14467, ZGG11856	2213002
1991-2015	All Models	High Pressure – Normally Open, M10 Thread, 2 pin (green)	1616787-C1, BSM318000	2213007
1990-1993	5000	High Pressure – Cycling Switch, Normally Closed, 300/210 psi	480869-C1	2213010
2001-2011	All Models	Pressure, Transducer 3 Pin, M10 (Brown) 3546241-C1	3546241-C1	2213013
1992-2011	All Models	Low Pressure – Normally Closed, 35/5psi	1676786-C1, BSM318004, BB1385	2213016
1990-1996	5000	Low Pressure – Normally Open, 10/42 psi, 1/4" Thread	544976-C1	2299001
1997-2000	5000	All Models with Cable Operated switch	581691-C1, BD1055, ZGG12028	2299023
1992-2011	All Models	Low Pressure - Normally Closed, 35/5psi	1676786-C1, BSM318004, BB1385	2213016
1983-1996	5000	Low Pressure - Normally Closed, 30/7psi 1/4" SAE	587977-C1	2213006
1977-1996	5000	Low Pressure, Normally Open, 10/42 psi, 1/4" Thread.	544976-C1	2275012
1983-1993	5000	Low Pressure, Normally Open, opens 6 / closes 34; 1/4" Female	ZGG11844, 404143	2299108
1991-2015	All Models	High Pressure - Normally Open, M10 Thread, 2 pin (green)	1616787-C1, BSM318000	2213007
2001-2011	All Models	Pressure, Transducer 3 Pin, M10 (Brown)	3546241-C1	2213013
1983-1993	5000	High Pressure - Cycling Switch, Normally Closed, 300/210 psi	480869-C1	2213010
1983-1993	5000	High Pressure - Normally Open, 1/4" Female, 250/375 psi,	442182-C1, ZGG14467, ZGG11856	2213002
7000 SERIES (WORKSTAR)				
1990-1993	All Models	Low Pressure – Normally Closed, 30/ 7psi 1/4" SAE	442183-C1	2213001
1990-1998	7000	Switch High pressure – Normally Closed, 250/100 psi 1/4" Female	1651985-C1	2213003
1991-2011	7000	High Pressure – Normally Open, M10 Thread, 2 pin (green)	1616787-C	2213007
2001-2011	All Models	Pressure, Transducer 3 Pin, M10 (Brown)	3546241-C1	2213013
1991-2011	7000	Low Pressure – Normally Closed, 35/5psi	1676786-C1	2213016
1990-1993	All Models	High Pressure – Normally Closed, 300/200 psi 1/4" SAE	544975-C1, 1618587-C1, ZGG14855	2275013
1982-1993	All Models	High Pressure - Normally Closed, 300/200 psi 1/4" SAE	1618587-C1, 544975-C1, ZGG14855	2275013
1991-2011	All Models	Low Pressure - Normally Closed, 35/5 psi	1676786-C1, BSM318004, BB1385	2213016
1977-1993	All Models	Low Pressure - Normally Closed, 30/7 psi 1/4" SAE	442183-C1	2213006

SWITCHES - PRESSURE

YEAR	MODEL	DESCRIPTION	OEM NO.	KYSOR NO.
1977-1993	All Models	Low Pressure, Normally Open,, opens 6 / closes 34; 1/4" Female Thread	ZGG14854	2299108
2003-2010	All Models	All with preset switch 24" capillary tube	1699953-C1, 1664248-C1	2213002
1997-2010	All Models	All with preset switch 24" capillary tube	1699953-C1	2213002
8000 SERIES (TRANSTAR)				
1982-1993	All Models	High Pressure - Normally Closed, 300/200 psi 1/4" SAE	1618587-C1, 544975-C1, ZGG14855	2275013
1991-2011	All Models	Low Pressure - Normally Closed, 35/5 psi	1676786-C1, BSM318004, BB1385	2213016
1977-1993	All Models	Low Pressure - Normally Closed, 30/7 psi 1/4" SAE	442183-C1	2213006
1977-1993	All Models	Low Pressure, Normally Open,, opens 6 / closes 34; 1/4" Female Thread	ZGG14854	2299108
1990-1993	All Models	Low Pressure – Normally Closed, 30/ 7psi 1/4" SAE	442183-C1	2213001
1990-1998	8000	Switch High pressure – Normally Closed, 250/100 psi 1/4" Female	1651985-C1	2213003
1991-2011	8000	High Pressure – Normally Open, M10 Thread, 2 pin (green)	1616787-C	2213007
2001-2011	All Models	Pressure, Transducer 3 Pin, M10 (Brown)	3546241-C1	2213013
1991-2011	8000	Low Pressure – Normally Closed, 35/5psi	1676786-C1	2213016
1990-1993	All Models	High Pressure – Normally Closed, 300/200 psi 1/4" SAE	544975-C1, 1618587-C1, ZGG14855	2275013
2003-2010	All Models	All with preset switch 24" capillary tube	1699953-C1, 1664248-C1	2213002
1997-2010	All Models	All with preset switch 24" capillary tube	1699953-C1	2213002
9000 – 9900I, IX, EAGLE				
1991-2011	All Models	Low Pressure - Normally Closed 35/5 psi	1676786-C1, BSM318004, BB1385	2213016
1997-2002	All Models	High Pressure - Normally Closed, M10 Thread (sky blue)	2501256-C1	2299036
1997-2002	All Models	Low Pressure - with APadS system, M12 Thread (sky blue)	2501257-C1	2299037
1977-2000	9300, 9400	Low Pressure - Normally Closed, 30/7 psi 1/4" SAE	587977-C1, 442183-C2	2213006
1990-2000	9300, 9400	Low Pressure – Normally Closed, 30/ 7psi 1/4" SAE	587977-C1	2213001
1990-1993	9300, 9400	High Pressure – Normally Open, 250/375 psi 1/4" SAE 441821-C1	441821-C1	2213002
1991-2015	All Models	High Pressure – Normally Open, M10 Thread, 2 pin (green)	1616787-C1	2213007
1982-1993	9600	High Pressure – Cycling Switch, Normally Closed, 300/210psi	480869-C1	2213010
1991-2011	All Models	Low Pressure – Normally Closed, 35/ 5psi	1676786-C1	2213016
1989-1995	All Models	High Pressure – Normally Closed, 300/200 psi 1/4" SAE	544975-C1	2275013
ALL OTHER MODELS				
1994-2001	All Models	High Pressure - Normally Closed, M10 Thread (sky blue)	1514307-C1	2299036
1994-2001	All Models	Low Pressue - with APadS system, M12 Thread (sky blue)	2501257C1	2299037
All	All Models	Fan Override - Trinary™ Normally Open, Female 1/4"	1676658-C1	2299109

International

SWITCHES - PRESSURE

YEAR	MODEL	DESCRIPTION	OEM NO.	KYSOR NO.
All	All Models	Fan Override – Trinary™ Normally Open, Male 3/8-24"	1691699-C91	2299109
All	All Models	High Pressure – Normally Open, 300/210 psi, 1/4" Female Thread	1514307-C1	2299013
All	All Models	High Pressure - NormAlly Closed, M10 Thread	2614390-C1	2213007
1997-1993	All Models	Low Pressure - Normally Closed, 1/4" Female (20PS40-3)	1661273C1	2213006
1998-2002	All Models	Low Pressure - with APadS System, Normally Closed withoutE"	1699310-C1	2213009
1993-1997	All Models	Low Pressure – Normally Closed, 1/4" Female (20PS40-3)	1661273-C1	2213006

LONESTAR

2007-2009	All Models	Pressure Sensor – Transducer 3 Pin M10 Thread (brown)	3546241-C1	2213013
2010-2015	All Models	Low Pressure	3839315-C1	2312002
2010-2015	All Models	Low Pressure	3839315-C1	2213017

PROSTAR

2010-2015	All Models	Low Pressure	3839315-C1	2213017
2007-2009	All Models	Pressure Sensor – Transducer 3 Pin M10 Thread (brown)	3546241-C1	2213013
2010-2015	All Models	Low Pressure	3839315-C1	2312002

TERRASTAR (CLASS 4/5)

2010-2015	All Models	Low Pressure	3839315-C1	2312002
-----------	------------	--------------	------------	----------------

SWITCHES - SENSOR

YEAR	MODEL	DESCRIPTION	OEM NO.	KYSOR NO.
LONESTAR				
2007-2010	All Models	Sensor, Temperature 2 pin	3599601-C1	2313004
PROSTAR				
2007-2010	All Models	Sensor, Temperature 2 pin	3599601-C1	2313004

SWITCHES - THERMISTER

YEAR	MODEL	DESCRIPTION	OEM NO.	KYSOR NO.
4000 SERIES (DURASTAR)				
2001-2013	All Models	HVAC Thermistor Sensor; M12 Threads (use #1544 Harness)	3548043-C1, 3622764-C1	2213014
7000 SERIES (WORKSTAR)				
2001-2013	All Models	HVAC Thermistor Sensor; M12 Threads (use #1544 Harness)	3622764-C1	2213014
2010-2012	All Models	Freon Thermistor Sensor; M12 Threads	3548043-C1	2213014
8000 SERIES (TRANSTAR)				
2001-2013	All Models	HVAC Thermistor Sensor; M12 Threads (use #1544 Harness)	3622764-C1	2213014
2010-2012	All Models	Freon Thermistor Sensor; M12 Threads	3548043-C1	2213014

SWITCHES - THERMISTER

YEAR	MODEL	DESCRIPTION	OEM NO.	KYSOR NO.
LONESTAR				
2007-2011	All Models	HVAC Thermistor Sensor; M12 Threads (use #1544 Harness)	3548043-C1	2213014
PROSTAR				
2007-2011	All Models	HVAC Thermistor Sensor; M12 Threads (use #1544 Harness)	3548043-C1	2213014

SWITCHES - THERMOSTATIC

YEAR	MODEL	DESCRIPTION	OEM NO.	KYSOR NO.
2000 SERIES				
1990-1996	2000	Thermostat All with preset switch 24" capillary tube	1664248-C1	2313003
1989-1996	2000	All with preset switch 24" capillary tube	1664248-C1	2213002
1974-1981	2000	All Models with rotary type	446994-C1	2399004
4000 SERIES (DURASTAR)				
1994-2010	All Models	All with preset switch 24" capillary tube	1699953-C1	2313003
1994-2010	All Models	All with preset switch 24" capillary tube	1699953-C1, 1664248-C1	2213002
1973-1984	4000	All 4070. 4200. 4300 with Cable Operated	581691-C1	2313001
1972-1981	4070A Transtar	All Models with rotary type	ZGG11048	2399004
1974-1984	Transtar 4070B, 42/4300	without Shutters	436998C91	2399022
5000, 5000I SERIES (PAYSTAR)				
1990-1996	5000	All with Shutters; with Cable Operated switch	454347-C1, 592231-C1, BSM323003	2313001
1990-1996	5000	All without Shutters; with Cable Operated switch	581691-C1, BSM323003, ZGG120	2313001
1990-1995	5000	Thermostat with preset switch 24" capillary tube	1664248-C1	2313003
1999-2010	All Models	All with preset switch 24" capillary tube	1699953-C1	2313003
1999-2010	All Models	All with preset switch 24" capillary tube	1699953-C1	2213002
1997-2000	5000	All Models with Cable Operated	581691-C1, BD1055, ZGG12028	2313001
1977-1996	5000	All without shutters; with Cable Operated	581691-C1, BSM323003, ZGG12028	2313001
1989-1995	5000	All with preset switch 24" capillary tube	1664248-C1	2213002
1974-1996	5000	All with shutters; with Cable Operated	454347-C1, 592231-C1, BSM323003	2313001
7000 SERIES (WORKSTAR)				
1981-1995	7100	All Models with Cable Operated switch 9000-9900i, ix, Eagle	581691-C1	2313001
ALL OTHER MODELS				
All	Cable Type	with Cable operated switch 42" capillary tube	581687-C1	2313001
All	Cable Type	with Cable Operated switch 30" capillary tube	393350-C1, 418677-C1, 445444-C1, 467007-C1	2399022
All	Preset Type	with preset side mount, 24" capillary tube	1676655-C1	2399001
All	Preset Type	with preset side mount, 24" capillary tube	1691722-C91	2399001

International

SWITCHES - THERMOSTATIC

YEAR	MODEL	DESCRIPTION	OEM NO.	KYSOR NO.
All	Rotary Type	with rotary control switch, 36" capillary tube	175575-C1	2399020
All	Preset Type	with preset switch, 16" capillary tube	1691729-C91	2312001
All	All Models	with Cable Operated switch, 42" capillary tube 581687-C1	581687-C1	2313001
All	Rotary Type	with rotary control switch, 24" capillary tube	C2-13011	2375001
All	Preset Type	with preset switch, 21" capillary tube	1691726-C91	2399005
All	Rotary Type	with rotary control switch, 48" capillary tube	301305-C91, 301395-C91	2399019

WATER VALVES

YEAR	MODEL	DESCRIPTION	OEM NO.	KYSOR NO.
2000 SERIES				
1986-1992	2000	All Models with Cable Operated valve	498574-C1	2413004
4000 SERIES (DURASTAR)				
1984-1999	4000	All 4200, 4300 Models with Cable Operated	498574-C1	2413004
1977-1997	4000	All 4200, 4300, 4600, 4900 with Cable Operated	474072-C4	2413003
1993-1994	4000	All 4600, 4900 Models with cable operated	498574-C1	2413004
1974-1985	4000	All 4200, 4300 Models with manual Operated	367972-C92	2413006
5000, 5000I SERIES (PAYSTAR)				
1997-2000	5000	Water Shutoff (3/4" x 1/2 NPT)	367972-C92	2413006
1997-2000	5000	Water Shutoff (5/8" x 1/2 NPT)	369512-C92	2413005
7000 SERIES (WORKSTAR)				
1977-1993	7000	All	474072-C4	2413003
8000 SERIES (TRANSTAR)				
1977-1993	8000	All	474072-C4	2413003
1989-1993	8300	8300 with Sleeper Box Heater Valve	1669333-C92	2499111
9000 – 9900I, IX, EAGLE				
1982-1990	9000	All 9300-9700 Models with manual valve	369512-C92	2413005
1997-2000	9300-9700	Water Shutoff (3/4" x 1/2 NPT)	367972-C92	2413006
1997-2000	9300-9700	Water Shutoff (5/8" x 1/2 NPT)	369512-C92	2413005
ALL OTHER MODELS				
2000-2015	All Models	with actuator with label #B3570874A	2503207-C1	2115003
2000-2015	4000 - 8000	with 2 pin, Actuator with label #A32062951B	3542575-C1	2113005
2000-2015	5000, 9000	with 4 pin, Actuator with label #G32063211A	3524465-C1	2113007
2000-2015	5000, 9000	with 5 pin, Actuator	3599602-C1	2113015
2000-2015	Pro Star	with 2 Terminal, Actuator with Label #L6402515A	3599606-C1	2113016
2000-2015	All Models	Cable Operated switch	899996-R91	2411004
2000-2015	All Models	Manual Operated 5/8" Hose	ZGG14525	2411003

AIR FILTERS

YEAR	MODEL	DESCRIPTION	OEM NO.	KYSOR NO.
ALL OTHER MODELS				
2008-2010	All Models	with Filter (8-3/4" x 12-5/8" x 5/8")	5X013817	3117002
2008-2010	All Models	with Filter (8-3/4" x 12-5/8" x 5/8")	5X01381, 534510BSM	3117002
2008-2010	All Models	with Filter (10" x 13-3/4" x 1")	525838BSM, 3199021	3199021
T2000 SERIES				
2002-2010	T2000	with Filter (10" x 14" x 3/4")	525507BSM, KE0301P	3114001
T370 SERIES				
2008-2010	All T370	with Filter (12" x 3" x 7/8")	534510BSM	3114003
T600 SERIES				
2008-2010	All T600	with Filter (12" x 3" x 7/8")	534510BSM	3114003

BLOWER MOTORS

YEAR	MODEL	DESCRIPTION	OEM NO.	KYSOR NO.
200-210				
1990-1996	All Models	Double Shaft with Red Dot A/C	RD5-4614-0	1099015
ALL OTHER MODELS				
All	All Models	with Bergstrom A/C	20132P	1099054
All	All Models	with Bergstrom A/C	205840	1099018
All	All Models	With Bergstrom A/C	20563P	1075012
All	All Models	with Kysor A/C	HA1520	1075009
All	All Models	with Bergstrom or Kysor A/C	205620BSM, 20562P, 20563P, 20578P, 5577-12, HA1520	1014002
All	All Models	Blower Motor Sleeper Unit All Models	203115BSM	1014003
All	All Models	with Red Dot A/C	73R-4504, RD5-4233-24	1075011
All	All Models	Blower Motor Single Shaft, Stud Mount, 2 Speed, 2 wires, 5/16" Shaft	20152P1, 20302P, 273140, 274238, 2807-516-039, 2807-517-041, 2807-517-043, 73R-0552, RD3106-12, 3552	1099006
All	All Models	with Bergstrom A/C	20578P, 5577-12, 5577-22, 205840	1099026
All	All Models	Blower Motor Single Shaft, Stud Mount, 3 Speed, 3 wire with Bergstrom A/C	20132P, 3458	1099029
C500 SERIES (COE AND CONVENTIONAL)				
1990-1998	C500	Single Shaft with Red Dot A/C	RD5-4387-0, RD5-3753-0, HA1060, 301072, 301001	1099007
1997-2007	C500	All with Main Unit with full RFI/EMI Protection	203235BSM	1014006
1990-2014	C500	Blower Motor Double Shaft all with Bergstrom Main Unit	203080BSM, 275154, 20579P, 2809-541-009, HB1035, HB1040, HB1050, K318-20-1, PF2646Q, RD5-4942-0, RD5-6801-0, ZGG11645Q, 3182	1099026
K100 SERIES				
1983-2007	K100, K100E	Double Shaft All with Bergstrom R134a system	203085BSM, 203076, 205840, 2809-551-007, 73R-4322, HB1085, HB1680, RD5-5049-0	1017003



Kenworth

BLOWER MOTORS

YEAR	MODEL	DESCRIPTION	OEM NO.	KYSOR NO.
1990-1994	K100	Blower Motor Double Shaft All with Bergstrom Main Unit	203080BSM, 275154, 20579P, 2809-541-009, HB1035, HB1040, HB1050, K318-20-1, PF2646Q, RD5-4942-0, RD5-6801-0, ZGG11645Q, 3182	1099026
LOW CAB FORWARD (REFUSE)				
1990-1996	All Models	Double Shaft with Red Dot A/C	RD5-4614-0	1099015
MID RANGER				
1990-1996	All Models	Double Shaft with Red Dot A/C	RD5-4614-0	1099015
SLEEPER UNITS				
1990-1994	All Models	All Models with Sleeper Unit	HA1520	1014002
1997-2012	All Models	Blower Motor Sleeper Unit All Models	203115BSM	1014003
1995-1996	All Models	All Models with Sleeper Unit	HA1605	1014003
1997-2003	All Models	with Sleeper Unit with full RFI/EMI Protection	203236BSM	1014007
1996-2012	All Models	Blower Motor Sleeper Unit All Models	203139BSM	1099092
All	All Models	with Bergstrom A/C	20193P,20303P	1075013
T170 SERIES				
2005-2014	All Models	with Signet; 1 speed, 2 wires, flange mount	3X010983, 5X012163, 2809-550-080, HA0983	1017006
2005-2012	T170	with Signet: 1 speed. 2 wires, flange mount blower wheel use # 3775	3X010983, 5X012163, 2809-550-080, HAA0983	1017007
T2000 SERIES				
1996-2001	Sleeper Units	with Bergstrom Sleeper Unit (CW)	301011BSM	1014003
1996-2009	Sleeper Units	Blower Motor Sleeper Unit All Models	203139BSM	1099092
1996-2001	All Models	with Bergstrom Sleeper Unit (CW)	203115BSM,HA1530	1014005
T270 SERIES				
2005-2014	All Models	with Signet; 1 speed, 2 wires, flange mount	3X010983, 5X012163, 2809-550-080, HA0983	1017006
2005-2012	T270	with Signet: 1 speed. 2 wires, flange mount blower wheel use # 3775	3X010983, 5X012163, 2809-550-080, HAA0983	1017007
T300 SERIES				
1997-2001	T300	All with Main Unit with full RFI/EMI Protection	203235BSM	1014006
1995-2012	T300	Blower Motor Double Shaft all with Bergstrom Main Unit	203080BSM, HB1610, HB1040, HB1050, K318-20-1, PF2646Q	1099026
T370 SERIES				
2005-2014	All Models	with Signet; 1 speed, 2 wires, flange mount	3X010983, 5X012163, 2809-550-080, HA0983	1017006
2005-2012	T370	with Signet: 1 speed. 2 wires, flange mount blower wheel use # 3775	3X010983, 5X012163, 2809-550-080, HAA0983	1017007
T400 SERIES				
1990-1994	T400	All Models with Double Shaft Motor	HB1050	1099026
T440 SERIES (MEDIUM DUTY – CLASS 5,6,7)				
2005-2014	All Models	with Signet; 1 speed, 2 wires, fange mount	3X010983, 5X012163, 2809-550-080, HA0983	1017006

BLOWER MOTORS

YEAR	MODEL	DESCRIPTION	OEM NO.	KYSOR NO.
2005-2012	T440(Class 5,6,7)	with Signet: 1 speed. 2 wires, flange mount blower wheel use # 3775	3X010983, 5X012163, 2809-550-080, HAA0983	1017007
T600 SERIES				
1997-2001	T600	All with Main Unit with full RFI/EMI Protection	203235BSM	1014006
1990-1994	T600	All Models with Double Shaft Motor	HB1050	1099026
T800 SERIES				
1997-2001	T800	All with Main Unit with full RFI/EMI Protection	203235BSM	1014006
1990-1994	T800	All Models with Double Shaft Motor	HB1050	1099026
W900 SERIES				
1997-2001	W900	All with Main Unit with full RFI/EMI Protection	203235BSM, 275154, 20579P, 2809-541-009, HB1035, HB1040, HB1050, K318-20-1, PF2646Q, RD5-4942-0, RD5-6801-0, ZGG11645Q	1014006
1990-2012	W900	Blower Motor Double Shaft all with Bergstrom Main Unit	203080BSM	1099026
1978-1981	W900	All Models with Single Shaft Motor	274265-HA1700, 2809-541-006	1099007

BLOWER WHEELS

YEAR	MODEL	DESCRIPTION	OEM NO.	KYSOR NO.
200-210				
1990-1996	All Models	with Red Dot A/C	RD5-5656-0, HC1350	1199009
CONVENTIONAL (C-T-W-SERIES)				
1990-2014	All Models	All with Bergstrom A/C unit	589540	1199006
C-T-W-SERIES (CONV) SLEEPER UNIT				
1995-2002	All Models	All with Bergstrom A/C unit	HC1005	1199006
1990-2007	Sleeper Units	with Bergstrom A/C Sleeper Unit	HC1285, 52480P	1199008
K100 SERIES				
1990-2005	K100E	All E Models with Bergstrom unit	563500	1199006
LOW CAB FORWARD (REFUSE)				
1990-1996	All Models	with Red Dot A/C	RD5-5656-0, HC1350	1199009
MID RANGER				
1990-1996	All Models	with Red Dot A/C	RD5-5656-0, HC1350	1199009
T2000 SERIES				
1996-2014	T2000	All Models	563500	1199006
T400 SERIES				
1990-1994	T400	All Models with Double Shaft Motor	HB1050	1099026
T440 SERIES (MEDIUM DUTY – CLASS 5,6,7)				
1990-1995	T400	All with Kysor System	360480, 1-4955Q, HC1000, HC1030	1199035
T600 SERIES				
1995-1997	All Models	with Main Unit	52480P	1199008

Kenworth

BLOWER WHEELS

YEAR	MODEL	DESCRIPTION	OEM NO.	KYSOR NO.
1990-1995	T600	All with Kysor System	360480, 1-4955Q, HC1000, HC1030	1199035
T700 SERIES				
1996-2014	T700	All Models	563500	1199006
T800 SERIES				
1995-1997	All Models	with Main Unit	52480P	1199008
1990-1995	T800	All with Kysor System	360480, 1-4955Q, HC1000, HC1030	1199035

CLUTCHES

YEAR	MODEL	DESCRIPTION	OEM NO.	KYSOR NO.
ALL OTHER MODELS WITH SANDEN - STYLE COMPRESSOR				
All	SD7H15HD	2 groove 125 mm 4.9" Diameter 2 wires (key shft)	4695-9931	1399068
ALL OTHER MODELS WITH YORK/T/CCI - STYLE COMPRESSOR				
All	All Models	6 groove 5-7/8" Diameter , 1 wire Weatherpack	024-25144, 14304	1312002
All	All Models	6 groove 5-7/8" Diameter , 2 wires Metripack	024-25241, 14565, KA1535	1380004
All	All Models	2 groove 6" Diameter , with doide 1 wire plug	K332-24	1313005
All	All Models	2 groove 6" Diameter with diode, 1 wire Weatherpack	024-21590, KA1410, K332-14, K332-19, K332-27, K332-37, K332-44	1380001
All	All Models	6 groove 5-7/8" Diameter , 1 wire IHC plug	KA1390	1380005
All	All Models	8 groove 6-5/16" Diameter , 2 wires	024-25247, 14372	1380006
All	All Models	8 groove 5-3/8" Diameter , 1 sire IHC plug	KA1485, 14444	1380007
All	All Models	2 groove 6" Diameter with diode & 2 wires Metripack terminal	024-25238, 520566	1380002
All	All Models	6 groove 5-7/8" Diameter , 2 wires Metripack	024-25244, 14432	1399008

COMPRESSORS

YEAR	MODEL	DESCRIPTION	OEM NO.	KYSOR NO.
ALL OTHER MODELS WITH SANDEN - STYLE COMPRESSOR				
All	All Models	with 2 groove 125 mm CumminsISC,ISB (4740, 4484)	18-04088, 18-04373	1401342
All	All Models	with 2 groove 125mm, Ear Mount 2 wires (4041, 4426, 4696)	F69-1000	1410019
All	All Models	with 2 groove 125mm, Ear Mount 2 wires (4089)	F69-6003-231	1401415
All	All Models	with 7 groove 126mm, SPRHD Direct Mount 2 wires (4087)	SD4087	1410080
All	All Models	with 8 groove 119mm, Ear 3/4" x 7/8", 2 wires (4739)	18-04291	1410084
All	All Models	with 8 groove 119mm, Direct, Horizontal, GQ (4042, 4432, 4759)	F69-1003	1410022
All	All Models	with 2 groove 132 mm, Direct Mount 1 wire (4626)	LE1140	1401107

COMPRESSORS

YEAR	MODEL	DESCRIPTION	OEM NO.	KYSOR NO.
All	All Models	with 2 groove 125 mm, 4.6" Diameter Ear Mount (4627)	LE1145	1401108
All	All Models	with 7 groove 119mm 4.6" with vertical O-ring (4645)	LE1150	1401110
All	All Models	with 2 groove 125 mm, 4.6" Diameter Ear, Vertical O-ring with PRV (4713)	LE1620	1401115
All	All Models	with 8 groove 119mm, 1 wire (#4666)	F69-6001-114, F69-6002-110	1401117
All	All Models	with 8 groove 119mm, Ear, Horizontal, 1" x 14 (4672)	F69-6001-21	1401118
All	All Models	with 2 groove 125 mm, Direct Mount, 2 wires (4695)	F69-1002-133	1401125
All	All Models	with 7 groove 119mm 4.6" SPRHD Head (4577)	F69-1015-151, F69-1013	1401206
All	All Models	with 8 groove 130mm SPRHD Direct Mount, 2 wires	F69-1014, F69-1015-131, F69-1015-141, F69-1017, F69-1018	1401347
All	All Models	with 8 groove 119mm, 2 wires (4667)	LE1085, K318-103	1401371
All	All Models	with 8 groove 119mm JDA Head Ear Mount (4660)	4660, F69-6003-112	1401373
All	All Models	with 6 groove 125 mm with CumminsISM, C10/C12 (4039, 4731, 4424)	F69-6001-122, 18-5000	1401404
All	All Models	with 6 groove 125 mm 4.6" Diameter 2 wires with C3406 (4040, 4425, 4792)	F69-6002-122, F69-6000	1401405
All	All Models	with 2 groove 125mm, Ear Mount 2 wires (4041, 4426, 4696)	F69-1000, F69-6002-231	1401406
All	All Models	with 8 groove 119mm, Direct, Horizontal, GQ, SPRHD Version (#4368)	F69-6003-11	1401413
All	All Models	with 6 groove 125 mm 4.6" Diameter 2 wires, Heavy Duty Version 4377	F69-6003-121	1401414
All	All Models	with 8 groove 125 mm GSA Head Ear Mount (4081, 4398)	F69-6003-112, F69-1014	1401417
All	All Models	with 2 groove 125 mm CumminsISC, ISB (4740, 4484), Heavy Duty Version (4392)	F69-6001-233	1401423
All	All Models	with 7 groove 126mm SPRHD Direct mount 2 wires (4087)	SD4087	1401424
All	All Models	with 8 groove 119mm, SPRHD Version, 2 wires (4391)	F69-6003-114, 4660	1401432
All	All Models	with 6 groove 125 mm, Heavy Duty Version of #5362	F69-6003-122	1401435
All	All Models	with 8 groove 119mm, Ear mount Vertical Pad 2 wires (4322)	SD4322	1401445
All	All Models	with 10 groove 126mm GQ Head, Direct Mount (4384)	F69-6003-141, F69-6003-142	1401446
All	All Models	with 6 groove 125 mm 4.6" Diameter GSA Head, 2 wires (4408)	F69-6003-222	1401447
All	All Models	with 12 groove 126 mm Direct Mount, 2 wires (4370)	F69-6003-151	1401498
All	All Models	with 7 groove 126mm SPRHD 12V KCA Head, Direct mount (4096)	SD4096	1401500
All	All Models	Compressor-Sanden OEM Version 2 wires, Ear (4394)	F69-6001-112, F69-6003-215	1401507
All	All Models	with 8 groove 119mm 4.6" Diameter 2 wires (4705)	F69-6002, F69-6002-212, 18-04178	1406006
All	All Models	with 2 groove 132 mm, Ear Mount 1 wire (4644, 4647, 4664)	LE1035	1410016

Kenworth

COMPRESSORS

YEAR	MODEL	DESCRIPTION	OEM NO.	KYSOR NO.
ALL OTHER MODELS WITH YORK/T/CCI - STYLE COMPRESSORS				
All	All Models	with 2 groove 6" Diameter 1 wire, Tube-O Head	488-25070C, 488-25073C, K318-137-3, LC1080, LC1140	1411013
All	All Models	T/CCI HD with Tube O-ring fitting; without service valves	ER210L-25150, 688-21572, 488-25030C, LC1105, LC1135	1411013
All	All Models	with 2 groove 6" Diameter 1 wire, Rotolock Head	ER210L-21571C, 488-25248C	1411014
All	All Models	with 2 groove 6" Diameter 2 wires, with Cat 3406B (C15) engine	ET210L-25237C, ET210L-25240C	1411015
All	All Models	with 8 groove 6-1/8" 2 wires, with Detroit 60 series engine	ET210L-25246C, ET210L-25237C	1411016
T600 SERIES				
1996-2000	T600	with 2 groove 6" Diameter 1 wire, with Cat 3406E	ET210L-25073C, ET210L-25073C	1411013
T800 SERIES				
1996-2000	T800	with 2 groove 6" Diameter 1 wire, with Cummins M11 engine	ET210L-25073C, ET210L-25246C	1411013

CONDENSERS

YEAR	MODEL	DESCRIPTION	OEM NO.	KYSOR NO.
C500 SERIES				
1995-2000	C500	All	K122-125	1514017
MID RANGER				
1990-1996	13-210 Mid-Ranger	All Mid Ranger with Red Dot A/C	RD4-4161-0	1513022
T170 SERIES				
2008-2009	T170	with 15-1/8" x 31-1/4" with MIO fittings with Signet A/C	3X010633, R0440001	1517017
2008-2011	T170	with 14" x 33" with Pad #6 #8 fittings	M3659001, M3660002, R0440001	1517019
T2000 SERIES				
1996-2008	T2000	with 24-1/4" x 31-1/2" x 3/4"	486684-5008	1514022
2008-2010	T2000	with Pad fittings	N4778001, M3611002	1517018
T270 SERIES				
2008-2009	T270	with 15-1/8" x 31-1/4" with MIO fittings with Signet A/C	3X010633, R0440001	1517017
2008-2011	T270	with 14" x 33" with Pad #6 #8 fittings	M3659001, M3660002, R0440001	1517019
T300 SERIES				
1995-2000	T300	with radiator mounted condenser	K122-128	1514016
2002-2008	T300	with 15-1/8" x 31-1/4" with MIO fittings with Signet A/C	3X010633, K122-128	1517017
2008-2009	T300	with 15-1/8" x 31-1/4" with MIO fittings with Signet A/C	3X010633, R0440001	1517017
2008-2011	T300	with 14" x 33" with Pad #6 #8 fittings	M3659001, M3660002, R0440001	1517019
2007-2008	T300	with 14" x 33" with Pad #6 #8 fittings	R0440001, 3X010633	1517019

CONDENSERS

YEAR	MODEL	DESCRIPTION	OEM NO.	KYSOR NO.
T370 SERIES				
2008-2009	T370	with 15-1/8" x 31-1/4" with MIO fittings with Signet A/C	3X010633, R0440001	1517017
2008-2011	T370	with 14" x 33" with Pad #6 #8 fittings	M3659001, M3660002, R0440001	1517019
T440 SERIES (MEDIUM DUTY – CLASS 5,6,7)				
2008-2009	T440	with 15-1/8" x 31-1/4" with MIO fittings with Signet A/C	3X010633, R0440001	1517017
2008-2011	T440	with 14" x 33" with Pad #6 #8 fittings	M3659001, M3660002, R0440001	1517019
T600 SERIES				
1995-2007	T600	All with front mounted condenser (Thermal Comp)	K122-125, K122-104	1514017
1991-1992	T600	with Condenser in front of grill	K122-93, K122-103	1514017
T660 SERIES				
2008-2011	T660	with 20" x 25" x 5/8", Pad fittings	N4783001, N4778001	1514025
T700 SERIES				
2011-2012	T700	with Pad fittings	N4778001, M3611002	1517018
T800 SERIES				
1996-2011	T800	with 20" x 32-1/2" with MIO fittings #6 and #8	K122-143, M3655001	1514024
2008-2011	T800	with 19" x 33" x 3/4", Pad fittings	N4778001, K122-143	1517018
W900 SERIES				
1995-2007	All Models	All with front mounted condenser (Thermal Comp)	K122-125, K122-121	1514017
2010-2011	W900B	with 20" x 32-1/2" with MIO fittings #6 and #8	K122-143, M3655001	1514024
2008-2012	W900	with 20" x 25" x 5/8", Pad fittings	N4783001, K122-143	1514025

EVAPORATORS

YEAR	MODEL	DESCRIPTION	OEM NO.	KYSOR NO.
ALL OTHER MODELS				
1987-2006	All Models	All Models with Sleeper Unit with Bergstrom A/C	151100, NA1030	1614005
1990-2006	Sleeper Units	All Models with Sleeper Unit with Bergstrom A/C	151100, NA1030	1614005
C500 SERIES (COE AND CONVENTIONAL)				
1990-1994	C500	Evaporator, 8" x 12-3/16" x 3-1/8"	NA1005	1614003
1996-2003	C500	All Models Main Unit	151280BSM, 151321BSM	1614003
1996-2000	C500	All Models with Sleeper Unit	151321BSM, NA1150	1614006
1996-2010	C500	Evaporator Coil all with Bergstrom Sleeper Unit	151328BSM, BSM307300, NA1090	1614004
T170 SERIES				
1996-2011	T170	Evaporator Coil all with Bergstrom Sleeper Unit	151328BSM, 151321BSM	1614004

Kenworth

EVAPORATORS

YEAR	MODEL	DESCRIPTION	OEM NO.	KYSOR NO.
T2000 SERIES				
1996-2010	T2000	Evaporator Coil all with Bergstrom Sleeper Unit	151339BSM	1614007
1996-2010	T2000	Evaporator Coil all with Bergstrom Sleeper Unit	151338BSM, 151339BSM	1699005
T270 SERIES				
1996-2011	T270	Evaporator Coil all with Bergstrom Sleeper Unit	151328BSM, 151321BSM	1614004
T300 SERIES				
1990-1994	T300	Evaporator, 8" x 12-3/16" x 3-1/8"	NA1005	1614003
1996-2011	T300	Evaporator Coil all with Bergstrom Sleeper Unit	151328BSM, 151321BSM	1614004
1996-2011	T300	All with Sleeper Unit (7-3/4" x 8")	151321BSM, NA1150	1614006
1998-2005	T300	All with Signet A/C	3X010018, 3X0112920000	1617013
T370 SERIES				
1996-2011	T370	Evaporator Coil all with Bergstrom Sleeper Unit	151328BSM, 151321BSM	1614004
T440 SERIES (MEDIUM DUTY – CLASS 5,6,7)				
1996-2011	T440 (Medium Duty – Class 5,6,7)	Evaporator Coil all with Bergstrom Sleeper Unit	151328BSM, 151321BSM	1614004
T600 SERIES				
1990-1993	T600	with Kysor A/C	400064, NA1020	1614002
1990-1993	T600	with Bergstrom Evaporator	151280BSM, 400064	1614003
1990-1994	T600	with Bergstrom Evaporator	NA1005, 151280BSM	1614003
2001-2014	T600	Evaporator Coil all with Bergstrom Sleeper Unit	151328BSM, 151321BSM	1614004
1995-2006	T600	Evaporator Coil all with Bergstrom Sleeper Unit	151328BSM, NA1005	1614004
1996-2014	T600	All with Sleeper Unit (7-3/4" x 8")	151321BSM, NA1150	1614006
1998-2005	T600	All with Signet A/C	3X010018, 3X0112920000	1617013
1998-2005	T600	All with Signet A/C	3X010018, 3X0112920000	1617014
T700 SERIES				
2011-2012	T700	Evaporator Coil all with Bergstrom Sleeper Unit	151339BSM, 151338BSM	1614007
2011-2012	T700	Evaporator Coil all with Bergstrom Sleeper Unit	151338BSM, 151339BSM	1699005
T800 SERIES				
1990-1993	T800	with Kysor A/C	400064, NA1020	1614002
1990-1993	T800	with Bergstrom Evaporator	151280BSM, 400064	1614003
1991-1994	T800	with Bergstrom Evaporator	NA1005, 151280BSM	1614003
2001-2014	T800	Evaporator Coil all with Bergstrom Sleeper Unit	151328BSM, 151321BSM	1614004
1995-2006	T800	Evaporator Coil all with Bergstrom Sleeper Unit	151328BSM, NA1005	1614004
1996-2014	T800	All with Sleeper Unit (7-3/4" x 8")	151321BSM, NA1150	1614006
1998-2005	T800	All with Signet A/C	3X010018, 3X0112920000	1617013
1998-2005	T800	All with Signet A/C	3X010018, 3X0112920000	1617014

EVAPORATORS

YEAR	MODEL	DESCRIPTION	OEM NO.	KYSOR NO.
W900 SERIES				
1990-1993	W900B	with Kysor A/C	400064, NA1020	1614002
1990-1993	W900	with Bergstrom Evaporator	151280BSM, NA1005	1614003
1996-2012	W900	All with Bergstrom Main Evaporator	NA1090, BSM307300, 151328BSM	1614004
1996-2012	W900	All with Bergstrom Sleeper Unit	NA1150, 151321BSM	1614006
1996-2012	W900	All with Bergstrom Main Evaporator	NA1090, BSM307300, 151328BSM	1614004
1982-1993	W900B	with Kysor A/C	400064, NA1020	1614002

EXPANSION VALVES AND ORIFICE TUBES

YEAR	MODEL	DESCRIPTION	OEM NO.	KYSOR NO.
200-210				
1987-1993	All Models	All Models with block type	1-2467Q, 404098, D2953-5350, EA1065, EA1210, RD4157-0	1899046
C500 SERIES (COE AND CONVENTIONAL)				
2007-2011	All Models	Block Valve with M10, M12 ports, 2 ton	540446BSM, 540031BSM	1814007
1990-1995	All Models	All Models without O-ring type externally equalized	404073, 56380, 57627P, 576270, D2953-5300, 1-1845Q, EA1020, EA1230	1875003
1990-1994	All Models	Block Expansion Valve Style with male ports (All Models)	EA1090	1814006
1976-2008	All Models	Block Valve 1.5 ton rating	540031BSM, RD4157-0, 1-2467Q, EA1210, EA1065	1899046
1981-1995	All Models	All Models without O-ring type externally equalized	404073, 56380, 57627P, 576270, D2953-5300, 1-1845Q, EA1020, EA1230	1899009
1986-1994	All Models	All Models with block type with male port	EA1090	1814006
K100 SERIES				
1982-2002	All Models	with block type valve	58590P, 1-2467Q, 404098, D2953-5350, EA1065, EA1210, RD4157-0	1899046
1987-1996	All Models	with block type with male port	589500BSM, 58950P, D2953-5363	1814006
1974-1985	All Models	without O-ring type externally equalized	1-1845Q, 5638, 56380, 576270, 57627P, D2953-5300, EA1020, EA1230	1899009
1990-1996	All Models	with block type with male port	589500BSM, 58950P, D2953-5363	1814006
1990-1996	All Models	with block type with male port	589500BSM, 58950P, D2953-5363	1814006
1990-1996	All Models	with block type with male port	589500BSM, 58950P, D2953-5363	1814006
LOW CAB FORWARD (REFUSE)				
1987-1993	All Models	All Models with block type	1-2467Q, 404098, D2953-5350, EA1065, EA1210, RD4157-0	1899046

Kenworth

EXPANSION VALVES AND ORIFICE TUBES

YEAR	MODEL	DESCRIPTION	OEM NO.	KYSOR NO.
MID RANGER				
1987-1993	All Models	All Models with block type	1-2467Q, 404098, D2953-5350, EA1065, EA1210, RD4157-0	1899046
T2000 SERIES				
1996-2010	T2000	Sleeper with Bergstrom A/C 1.5 ton	549707BSM, 929-512	1817003
1996-2010	T2000	Main Unit with M10, M12 Ports 2 ton and bypass	549708BSM, 929-513, R/B F90-6001	1817004
1996-2010	T2000	Sleeper with Bergstrom A/C 1.5 ton;	549707BSM, 929-512	1813015
T270 SERIES				
2007-2012	T270	Block Valve M10, M12 switch ports, 2 ton	540446BSM	1814007
T300 SERIES				
2007-2012	T300	Block Valve M10, M12 switch ports, 2 ton	540446BSM	1814007
1995-2008	T300	Block Valve 1.5 ton rating	58590P, 540031	1899046
T370 SERIES				
2007-2012	T370	Block Valve M10, M12 switch ports, 2 ton	540446BSM	1814007
T400 SERIES				
2007-2012	T400	Block Valve M10, M12 switch ports, 2 ton	540446BSM	1814007
1995-2008	T400	Block Valve 1.5 ton rating	58590P, 540031	1899046
1982-1995	T400	All with block type with R12 and Trinary Port. 2 ton	589500, RD5-5018-0, 404146, 58950P, EA1090, RD5-7155-0	1814006
T440 SERIES (MEDIUM DUTY – CLASS 5,6,7)				
2007-2012	T440	Block Valve M10, M12 switch ports, 2 ton	540446BSM	1814007
T600 SERIES				
2007-2012	T600	Block Valve M10, M12 switch ports, 2 ton	540446BSM	1814007
1995-2008	T600	Block Valve 1.5 ton rating	58590P, 540031	1899046
1982-1995	T600	All with block type with R12 and Trinary Port. 2 ton	589500, RD5-5018-0, 404146, 58950P, EA1090, RD5-7155-0	1814006
T660 SERIES				
2007-2012	T660	Block Valve M10, M12 switch ports, 2 ton	540446BSM	1814007
T700 SERIES				
2007-2012	T700	Block Valve M10, M12 switch ports, 2 ton	540446BSM	1814007
2011-2012	T700	Main Unit with M10, M12 Ports 2 ton and bypass	540057BSM, F90-6001, replaces 549708BSM	1899044
2011-2012	T700	Sleeper with flange type valve, 1/4 ton	540056BSM	1899031
T800 SERIES				
2007-2012	T800	Block Valve M10, M12 switch ports, 2 ton	540446BSM	1814007
1995-2008	T800	Block Valve 1.5 ton rating	58590P, 540031	1899046
1982-1995	T800	All with block type with R12 and Trinary Port. 2 ton	589500, RD5-5018-0, 404146, 58950P, EA1090, RD5-7155-0	1814006
W900 SERIES				
2007-2012	All Models	Block Valve M10, M12 switch ports, 2 ton	540446BSM, EA1210	1814007
1995-2009	W900	Block Valve 1.5 ton rating	EA1210	1899046

EXPANSION VALVES AND ORIFICE TUBES

YEAR	MODEL	DESCRIPTION	OEM NO.	KYSOR NO.
1982-2000	W900	All Models with block type with male port	RD5-5018-0, 404146, 58950P, EA1090, RD5-7155-0, D2953-5363	1814006
1969-1982	W900 & Brute	All Models with flare type externally equalized	EA1005	1814005

HEATER CORES

YEAR	MODEL	DESCRIPTION	OEM NO.	KYSOR NO.
C500 SERIES (COE AND CONVENTIONAL)				
1995-2011	C500	All Models with Bergstrom Heater Core	110640BSM, MC1005	1714005
1995-2000	C500	All Models with Bergstrom (Sleeper Unit)	MC1135, 108263BSM	1714007
1982-1997	C500, Brute	All Models with Red Dot Heater Core	110640BSM, RD1-0297-0, MC1090	1714005
T170 SERIES				
2008-2011	All Models	(Evap/Heater Coil) with Signet A/C	3X011018, 3X010005	1717012
T2000 SERIES				
1996-2012	T2000	All Models with Bergstrom Sleeper Unit	108294BSM	1714008
T270 SERIES				
2008-2011	All Models	(Evap/Heater Coil) with Signet A/C	3X011018, 3X010005	1717012
1994-2012	T270	All with Bergstrom Heater Core	110640BSM, MC1005	1714005
T300 SERIES				
2008-2011	All Models	(Evap/Heater Coil) with Signet A/C	3X011018, 3X010005	1717012
1994-2012	T300	All with Bergstrom Heater Core	110640BSM, MC1005	1714005
T370 SERIES				
2008-2011	All Models	(Evap/Heater Coil) with Signet A/C	3X011018, 3X010005	1717012
T600 SERIES				
1994-2012	T600	All with Bergstrom Heater Core	110640BSM, MC1005	1714005
1994-2000	T600	All Models with Bergstrom Heater Core	108263	1714007
T700 SERIES				
1996-2012	T700	All Models with Bergstrom Sleeper Unit	108294BSM	1714008
T800 SERIES				
1994-2012	T800	All with Bergstrom Heater Core	110640BSM, MC1005	1714005
1994-2000	T800	All Models with Bergstrom Heater Core	108263	1714007
W900 SERIES				
1995-2012	W900	All Models with Bergstrom Heater Core	110640BSM, MC1005	1714005
1995-2000	W900	All Models with Bergstrom Heater Core	108263BSM, BSM315315, MC1135	1714007
1986-2000	W900, B	All Models with Bergstrom heater (Main Unit)	110640BSM, MC1005	1714005

RECEIVER DRIERS/ACCUMULATORS

YEAR	MODEL	DESCRIPTION	OEM NO.	KYSOR NO.
COE, CHASSIS AND CONVENTIONAL				
All	C,K,T,W Series	Drier with Pad manifold connection	F37-6013	1914015

Kenworth

RECEIVER DRIERS/ACCUMULATORS

YEAR	MODEL	DESCRIPTION	OEM NO.	KYSOR NO.
1996-2011	T700, T2000	Drier with Pad manifold connection	F37-6000, C, JA2225, F37-1000	1999228
1998-2010	All Models	Accumulator with Pad mount fittings	F31-6063, 18-04171	1917008
1994-2002	All Models	All Models with Quick Disconnect Drier	K251-593, JA2035	1914004
1993-1996	All Models	with Top female switch port	K251-566, JA2120	1914016
1988-1996	All Models	without Moisture indicatoricator	088056-00, JA1300, 1-6449Q, K251-521, K251-563, 088133-01, JA1135	1914013
1982-1993	All Models	All with basic drier without moisture indicatoricator	K251-459, 088079-00, 15099P, JA1305	1914013
1975-1987	All Models	All with Eaton drier with side mounted low pressure switch	K251-306, RD4160-1, JA1120, JA1130, 1-3437Q	1999007
1990-1996	All Models	All with basic receiver drier without moisture indicatoricator	088056-00, JA1300, 1-6449Q, K251-521, K521-563, 088133-01, JA1135	1914013
1990-1993	All Models	All with basic receiver drier without moisture indicatoricator	K521-459, 088079-00, 15099P, JA1305	1914013
1990-2015	C, K, T, W Series	Receiver Drier 3/8" Female inlet, 3/8" Male outlet	K251-571, F37-3001, GD1135, BSM319360, 088324-00, RD5-8254-0	1914014
1994-2002	All Models	All Models with quick disconnect receiver drier	K251-593, JA2035	1914004
All	C, K, T, W Series	Receiver drier with Pad manifold connection	F37-6013, F37-6000	1914008
1998-2010	All Models	Accumulator with Pad mount fittings	F31-6063, 18-04171	1917008
All	C, K, T, W Series	Receiver drier with Pad manifold connection	F37-6010, F37-6003, F37-6013	1917009
2008-2013	C, K, T, W Series	Receiver drier with Pad manifold connection	F37-6011, F37-6010, F37-6003	1917010
1993-1996	All Models	with Top female switch port	K251-566, JA2120	1914016
T2000 SERIES				
1996-2011	T2000	Receiver drier with Pad manifold connection	F37-6000, JA2225, F37-1000	1914008
T700 SERIES				
1996-2011	T700	Receiver drier with Pad manifold connection	F37-6000, JA2225, F37-1000	1914008

RELAYS

YEAR	MODEL	DESCRIPTION	OEM NO.	KYSOR NO.
ALL OTHER MODELS				
All	All Models	Relay 12V 5 terminal; 30-40 amp with diode	650731BSM	2099002
1990-2014	All Models	Relay 12V with 5 terminal; 30 amp without diode	652420BSM, CB1115, 221568	2099003
All	All Models	Mini Relay (24V)	650690, 221711	2099023

RESISTORS

YEAR	MODEL	DESCRIPTION	OEM NO.	KYSOR NO.
COE, CHASSIS AND CONVENTIONAL				
1996-2011	All Models	with Bergstrom 5 Terminal Resistor	651313BSM, CA1200	2099028
1996-2011	All Models	Bergstrom main & sleeper 4 speed, 5 terminal	650475BSM, CA1070	2017003
1995-2011	All Models	with Bergstrom 3 speed, 3 terminal	650179BSM, CA1035	2099004
1996-2011	All Models	Bergstrom main & sleeper 4 speed, 5 terminal	650475BSM, CA1070	2017001
1990-1997	All Models	For 3 speed operation, used in conjunction with PM	650790, BSM321110, CA1005	2099005

SWITCHES - BLOWER

YEAR	MODEL	DESCRIPTION	OEM NO.	KYSOR NO.
C500 SERIES (COE AND CONVENTIONAL)				
1990-2006	All Models	Blower Switch with Bergstrom A/C	221503KB, 652090	2114001
All	All Models	with Red Dot Toggle Switch (6 Terminal)	RD4151-4, BA1040, 1-1604Q, K301-19	2117001
1990-2006	All Models	Blower Switch with Red Dot A/C	RD5-4694-0, BA1205	2199008
1990-2011	All Models	Blower Switch /Red Dot Rocker Switch SpeedT (3 Terminal)	RD4151-1	2199022
All	All Models	with Red Dot Toggle Switch (5 Terminal)	RD4151-2	2199023
COE, CHASSIS AND CONVENTIONAL				
1990-2006	All Models	Blower Switch with Bergstrom A/C	221503KB, 652090	2114001
All	All Models	with Red Dot Toggle Switch (6 Terminal)	RD4151-4, BA1040, 1-1604Q, K301-19	2117001
1990-2006	All Models	Blower Switch with Red Dot A/C	RD5-4694-0, BA1205	2199008
1990-2011	All Models	Blower Switch /Red Dot Rocker Switch SpeedT (3 Terminal)	RD4151-1	2199022
All	All Models	with Red Dot Toggle Switch (5 Terminal)	RD4151-2	2199023
K100 SERIES				
1990-2006	All Models	Blower Switch with Bergstrom A/C	221503KB, 652090	2114001
All	All Models	with Red Dot Toggle Switch (6 Terminal)	RD4151-4, BA1040, 1-1604Q, K301-19	2117001
1990-2006	All Models	Blower Switch with Red Dot A/C	RD5-4694-0, BA1205	2199008
1990-2011	All Models	Blower Switch /Red Dot Rocker Switch SpeedT (3 Terminal)	RD4151-1	2199022
All	All Models	with Red Dot Toggle Switch (5 Terminal)	RD4151-2	2199023
T2000 SERIES				
1996-2010	T2000	Rocker Switch SPST, 5 Terminal	CCH33P1	2117004
T400 SERIES				
1990-2006	All Models	Blower Switch with Bergstrom A/C	221503KB, 652090	2114001
All	All Models	with Red Dot Toggle Switch (6 Terminal)	RD4151-4, BA1040, 1-1604Q, K301-19	2117001
1990-2006	All Models	Blower Switch with Red Dot A/C	RD5-4694-0, BA1205	2199008
1990-2011	All Models	Blower Switch /Red Dot Rocker Switch SpeedT (3 Terminal)	RD4151-1	2199022
All	All Models	with Red Dot Toggle Switch (5 Terminal)	RD4151-2	2199023

Kenworth

SWITCHES - BLOWER

YEAR	MODEL	DESCRIPTION	OEM NO.	KYSOR NO.
T600 SERIES				
1990-2006	All Models	Blower Switch with Bergstrom A/C	221503KB, 652090	2114001
All	All Models	with Red Dot Toggle Switch (6 Terminal)	RD4151-4, BA1040, 1-1604Q, K301-19	2117001
1990-2006	All Models	Blower Switch with Red Dot A/C	RD5-4694-0, BA1205	2199008
1990-2011	All Models	Blower Switch /Red Dot Rocker Switch SpeedT (3 Terminal)	RD4151-1	2199022
All	All Models	with Red Dot Toggle Switch (5 Terminal)	RD4151-2	2199023
T700 SERIES				
1990-2006	All Models	Blower Switch with Bergstrom A/C	221503KB, 652090	2114001
All	All Models	with Red Dot Toggle Switch (6 Terminal)	RD4151-4, BA1040, 1-1604Q, K301-19	2117001
1990-2006	All Models	Blower Switch with Red Dot A/C	RD5-4694-0, BA1205	2199008
1990-2011	All Models	Blower Switch /Red Dot Rocker Switch SpeedT (3 Terminal)	RD4151-1	2199022
All	All Models	with Red Dot Toggle Switch (5 Terminal)	RD4151-2	2199023
T800 SERIES				
1990-2006	All Models	Blower Switch with Bergstrom A/C	221503KB, 652090	2114001
All	All Models	with Red Dot Toggle Switch (6 Terminal)	RD4151-4, BA1040, 1-1604Q, K301-19	2117001
1991-2006	All Models	Blower Switch with Red Dot A/C	RD5-4694-0, BA1205	2199008
1990-2011	All Models	Blower Switch /Red Dot Rocker Switch SpeedT (3 Terminal)	RD4151-1	2199022
All	All Models	with Red Dot Toggle Switch (5 Terminal)	RD4151-2	2199023
W900 SERIES				
1990-2006	All Models	Blower Switch with Bergstrom A/C	221503KB, 652090	2114001
All	All Models	with Red Dot Toggle Switch (6 Terminal)	RD4151-4, BA1040, 1-1604Q, K301-19	2117001
1991-2006	All Models	Blower Switch with Red Dot A/C	RD5-4694-0, BA1205	2199008
1990-2011	All Models	Blower Switch /Red Dot Rocker Switch SpeedT (3 Terminal)	RD4151-1	2199022
All	All Models	with Red Dot Toggle Switch (5 Terminal)	RD4151-2	2199023

SWITCHES - CIRCUIT BREAKER

YEAR	MODEL	DESCRIPTION	OEM NO.	KYSOR NO.
C500 SERIES (COE AND CONVENTIONAL)				
1990-2007	All Models	Circuit Breaker (30 amp)	K1110-0552-30	2199031
COE, CHASSIS AND CONVENTIONAL				
1990-2007	All Models	Circuit Breaker (30 amp)	K1110-0552-30	2199031
K100 SERIES				
1990-2007	All Models	Circuit Breaker (30 amp)	K1110-0552-30	2199031
T2000 SERIES				
1996-2010	T2000	Circuit Breaker (30 amp) automatic reset	K1110-0552-30	2199031
T400 SERIES				
1990-2007	All Models	Circuit Breaker (30 amp)	K1110-0552-30	2199031

SWITCHES - CIRCUIT BREAKER

YEAR	MODEL	DESCRIPTION	OEM NO.	KYSOR NO.
T600 SERIES				
1990-2007	All Models	Circuit Breaker (30 amp)	K1110-0552-30	2199031
T700 SERIES				
1990-2007	All Models	Circuit Breaker (30 amp)	K1110-0552-30	2199031
T800 SERIES				
1990-2007	All Models	Circuit Breaker (30 amp)	K1110-0552-30	2199031
W900 SERIES				
1990-2007	All Models	Circuit Breaker (30 amp)	K1110-0552-30	2199031

SWITCHES - POTENTIOMETER

YEAR	MODEL	DESCRIPTION	OEM NO.	KYSOR NO.
ALL OTHER MODELS				
All	All Models	with Bergstrom A/C air cylinder (double action)	DB1005	3299049
C500 SERIES (COE AND CONVENTIONAL)				
All	All Models	Control Switch – Temper Potentiometer, 4 wires Female Connector	650465BSM, 650396BSM	2114007
COE, CHASSIS AND CONVENTIONAL				
All	All Models	Control Switch – Temper Potentiometer, 4 wires Female Connector	650465BSM, 650396BSM	2114007
K100 SERIES				
All	All Models	Control Switch – Temper Potentiometer, 4 wires Female Connector	650465BSM, 650396BSM	2114007
T270 SERIES				
All	All Models	Control Switch – Temper Potentiometer, 4 wires Female Connector	650465BSM, 650396BSM	2114007
T300 SERIES				
All	All Models	Control Switch – Temper Potentiometer, 4 wires Female Connector	650465BSM, 650396BSM	2114007
T400 SERIES				
All	All Models	Control Switch – Temper Potentiometer, 4 wires Female Connector	650465BSM, 650396BSM	2114007
T600 SERIES				
All	All Models	Control Switch – Temper Potentiometer, 4 wires Female Connector	650465BSM, 650396BSM	2114007
T700 SERIES				
All	All Models	Control Switch – Temper Potentiometer, 4 wires Female Connector	650465BSM, 650396BSM	2114007
T800 SERIES				
All	All Models	Control Switch – Temper Potentiometer, 4 wires Female Connector	650465BSM, 650396BSM	2114007
W900 SERIES				
All	All Models	Control Switch – Temper Potentiometer, 4 wires Female Connector	650465BSM, 650396BSM	2114007

Kenworth

SWITCHES - PRESSURE

YEAR	MODEL	DESCRIPTION	OEM NO.	KYSOR NO.
C500 SERIES (COE AND CONVENTIONAL)				
2006-2008	All Models	Binary Switch - M10 2 pin (brown) uses #1546 harness	K301-370-1, 79PSD4-1	2499110
All	All Models	Control Switch – Temper Potentiometer, 4 wire Female Connector	650465BSM	2114007
All	All Models	Control Switch – Temperature Circuit Board	650396BSM	2199070
1999-2014	All Models	Fan Over ride – Normally Closed (orange)	86570P, 79PSL3-4	2217003
1981-1997	All Models	Fan Override – Trinary™ Normally Closed Female 1/4"	RD5-4625-0	2299008
1999-2014	All Models	High Pressure – Normally Closed M10, 2 pin	650697	2214002
1981-2008	All Models	High Pressure – Normally Closed, M10 Female (purple) with OE	18-03835, 79PSL2-3	2217001
1981-1999	All Models	High Pressure - Normally Closed, 300/200 psi 1/4" SAE	867559BSM, BB1025, BB1110, 1-4855Q	2275013
All	with APadS	High Pressure - Normally Closed, M10 Thread (sky blue)	8040177P	2299036
2007-2014	All Models	Low Pressure - Normally Open, M12; 2 pin (green)	650442BSM, 652578BSM	2214003
1998-2011	All Models	Low Pressure – Normally Open, M12, 2 pin, 13/30psi;	650446BSM, F27-1002	2299101
1981-1999	All Models	Low Pressure - Normally Open, 6/34 psi 1/4" SAE	86756P, 867560BSM, BB1030, BB1105	2299108
1969-1974	C500	Low Pressure - Normally Open, 25/35 psi 2 Spade	RD5-6394-0, BB1000, BSM318014, 1-2249Q	2299005
1996-2008	All Models	Clutch Switch – with Bergstrom A/C, 15 amp, 3 Terminal 12V	221504KB, 652100BSM, BA1045, RD5-5308-0, VL3L3014-D9	2199003
2007-2014	All Models	Low Pressure – Normally Open, M12, 2 pin (green)	650442BSM, 652578BSM	2214003
2006-2008	All Models	Binary Switch – M10 2 pin (brown) uses #1546 harness	K301-370-1, 79PSD4	2214006
1990-2008	All Models	High Pressure – Normally Closed, M10 Female (Purple)	18-03835, 79PSL2-3, 1439	2217001
1999-2014	All Models	Fan Override – Normally Closed (orange)	79PSL3-4, RD5-4625-0	2217003
1990-1999	All Models	Fan Override – Trinary™ Normally Open, Female 1/4"	K301-239, RD5-4583-0, BC1000, RD5-6012-3, 865700BSM, 86570P	2299109
All	All Models	Trinary™ Pressure Switch Normally Open Male 3/8"-24 (Pigtail use)	RD5-4585-0, RD5-3595-0	2299109
1990-1999	All Models	High Pressure – Normally Closed 300/200 psi 1/4" SAE	867559BSM, BB1025, BB1110, 1-4855Q	2275013
1990-1997	All Models	Trinary™ Pressure Switch (Fan Override) Normally Closed Female 1/4"	RD5-4625-0, RD5-4620-0	2299008
1998-2011	All Models	Low Pressure – Normally Open, M12, 2 pin, 13/30 psi	650446BSM, F27-1002	2299101
1999-2014	All Models	High Pressure – Normally Closed, M10, 2 pin	650697	2214002
COE, CHASSIS AND CONVENTIONAL				
1996-2008	All Models	Clutch Switch – with Bergstrom A/C, 15 amp, 3 Terminal 12V	221504KB, 652100BSM, BA1045, RD5-5308-0, VL3L3014-D9	2199003

SWITCHES - PRESSURE

YEAR	MODEL	DESCRIPTION	OEM NO.	KYSOR NO.
1999-2014	All Models	High Pressure – Normally Closed, M10, 2 pin	650697	2214002
2007-2014	All Models	Low Pressure – Normally Open, M12, 2 pin (green)	650442BSM, 652578BSM	2214003
2006-2008	All Models	Binary Switch – M10 2 pin (brown) uses #1546 harness	K301-370-1, 79PSD4	2214006
1990-2008	All Models	High Pressure – Normally Closed, M10 Female (purple)	18-03835, 79PSL2-3, 1439	2217001
1999-2014	All Models	Fan Override – Normally Closed (orange)	79PSL3-4, RD5-4625-0	2217003
1990-1999	All Models	Fan Override – Trinary™ Normally Open, Female 1/4"	K301-239, RD5-4583-0, BC1000, RD5-6012-3, 865700BSM, 86570P	2299109
All	All Models	Trinary™ Pressure Switch Normally Open Male 3/8"-24 (Pigtail use)	RD5-4585-0, RD5-3595-0	2299109
1990-1999	All Models	High Pressure – Normally Closed 300/200 psi 1/4" SAE	867559BSM, BB1025, BB1110, 1-4855Q	2275013
1990-1997	All Models	Trinary™ Pressure Switch (Fan Override) Normally Closed Female 1/4"	RD5-4625-0, RD5-4620-0	2299008
1998-2011	All Models	Low Pressure – Normally Open, M12, 2 pin, 13/30 psi	650446BSM, F27-1002	2299101
2006-2008	All Models	Binary Switch - M10 2 pin (brown) uses #1546 harness	K301-370-1, 79PSD4-1	2499110
All	All Models	Control Switch – Temper Potentiometer, 4 wire Female Connector	650465BSM	2114007
All	All Models	Control Switch – Temperature Circuit Board	650396BSM	2199070
1999-2014	All Models	Fan Over ride – Normally Closed (orange)	86570P, 79PSL3-4	2217003
1981-1997	All Models	Fan Override – Trinary™ Normally Closed Female 1/4"	RD5-4625-0	2299008
1999-2014	All Models	High Pressure – Normally Closed M10, 2 pin	650697	2214002
1981-2008	All Models	High Pressure – Normally Closed, M10 Female (purple) with OE	18-03835, 79PSL2-3	2217001
1981-1999	All Models	High Pressure - Normally Closed, 300/200 psi 1/4" SAE	867559BSM, BB1025, BB1110, 1-4855Q	2275013
All	with APadS	High Pressure - Normally Closed, M10 Thread (sky blue)	8040177P	2299036
2007-2014	All Models	Low Pressure - Normally Open, M12; 2 pin (green)	650442BSM, 652578BSM	2214003
1998-2011	All Models	Low Pressure – Normally Open, M12, 2 pin, 13/30psi;	650446BSM, F27-1002	2299101
1981-1999	All Models	Low Pressure - Normally Open, 6/34 psi 1/4" SAE	86756P, 867560BSM, BB1030, BB1105	2299108

K100 SERIES

1996-2008	All Models	Clutch Switch – with Bergstrom A/C, 15 amp, 3 Terminal 12V	221504KB, 652100BSM, BA1045, RD5-5308-0, VL3L3014-D9	2199003
1999-2014	All Models	High Pressure – Normally Closed, M10, 2 pin	650697	2214002
2007-2014	All Models	Low Pressure – Normally Open, M12, 2 pin (green)	650442BSM, 652578BSM	2214003
2006-2008	All Models	Binary Switch – M10 2 pin (brown) uses #1546 harness	K301-370-1, 79PSD4	2214006
1990-2008	All Models	High Pressure – Normally Closed, M10 Female (purple)	18-03835, 79PSL2-3, 1439	2217001

Kenworth

SWITCHES - PRESSURE

YEAR	MODEL	DESCRIPTION	OEM NO.	KYSOR NO.
1999-2014	All Models	Fan Override – Normally Closed (orange)	79PSL3-4, RD5-4625-0	2217003
1990-1999	All Models	Fan Override – Trinary™ Normally Open, Female 1/4"	K301-239, RD5-4583-0, BC1000, RD5-6012-3, 865700BSM, 86570P	2299109
All	All Models	Trinary™ Pressure Switch Normally Open Male 3/8"-24 (Pigtail use)	RD5-4585-0, RD5-3595-0	2299109
1990-1999	All Models	High Pressure – Normally Closed 300/200 psi 1/4" SAE	867559BSM, BB1025, BB1110, 1-4855Q	2275013
1990-1997	All Models	Trinary™ Pressure Switch (Fan Override) Normally Closed Female 1/4"	RD5-4625-0, RD5-4620-0	2299008
1998-2011	All Models	Low Pressure – Normally Open, M12, 2 pin, 13/30 psi	650446BSM, F27-1002	2299101
T2000 SERIES				
1996-2001	All Models	Clutch Switch - with Bergstrom A/C, 15 amp, 3 terminal 12V	221504KB	2199003
1998-2011	All Models	High Pressure – Normally Closed M10, 2 pin, 335/250 psi	650697BSM	2214002
1996-2001	T2000	Clutch Switch – with Bergstrom A/C, 15 amp, 3 Terminal 12V	221504KB, 650697BSM	2199003
1996-2010	T2000	Micro switch with Bergstrom A/C	650471BSM	2199003
1998-2011	T2000	High Pressure – Normally Closed M10, 2 pin, 335/250 psi	650697BSM, 650446BSM	2214002
1998-2011	T2000	Low Pressure – Normally Open, M12, 2 pin, 13/30 psi	650446BSM	2299101
T270 SERIES				
1996-2008	All Models	Clutch Switch – with Bergstrom A/C, 15 amp, 3 Terminal 12V	221504KB, 652100BSM, BA1045, RD5-5308-0, VL3L3014-D9	2199003
1999-2014	All Models	High Pressure – Normally Closed, M10, 2 pin	650697	2214002
2007-2014	All Models	Low Pressure – Normally Open, M12, 2 pin (green)	650442BSM, 652578BSM	2214003
2006-2008	All Models	Binary Switch – M10 2 pin (brown) uses #1546 harness	K301-370-1, 79PSD4	2214006
1990-2008	All Models	High Pressure – Normally Closed, M10 Female (Purple)	18-03835, 79PSL2-3, 1439	2217001
1999-2014	All Models	Fan Override – Normally Closed (orange)	79PSL3-4, RD5-4625-0	2217003
1990-1999	All Models	Fan Override – Trinary™ Normally Open, Female 1/4"	K301-239, RD5-4583-0, BC1000, RD5-6012-3, 865700BSM, 86570P	2299109
All	All Models	Trinary™ Pressure Switch Normally Open Male 3/8"-24 (Pigtail use)	RD5-4585-0, RD5-3595-0	2299109
1990-1999	All Models	High Pressure – Normally Closed 300/200 psi 1/4" SAE	867559BSM, BB1025, BB1110, 1-4855Q	2275013
1990-1997	All Models	Trinary™ Pressure Switch (Fan Override) Normally Closed Female 1/4"	RD5-4625-0, RD5-4620-0	2299008
1998-2011	All Models	Low Pressure – Normally Open, M12, 2 pin, 13/30 psi	650446BSM, F27-1002	2299101
T300 SERIES				
1996-2008	All Models	Clutch Switch – with Bergstrom A/C, 15 amp, 3 Terminal 12V	221504KB, 652100BSM, BA1045, RD5-5308-0, VL3L3014-D9	2199003
1999-2014	All Models	High Pressure – Normally Closed, M10, 2 pin	650697	2214002

SWITCHES - PRESSURE

YEAR	MODEL	DESCRIPTION	OEM NO.	KYSOR NO.
2007-2014	All Models	Low Pressure – Normally Open, M12, 2 pin (green)	650442BSM, 652578BSM	2214003
2006-2008	All Models	Binary Switch – M10 2 pin (brown) uses #1546 harness	K301-370-1, 79PSD4	2214006
1990-2008	All Models	High Pressure – Normally Closed, M10 Female (purple)	18-03835, 79PSL2-3, 1439	2217001
1999-2014	All Models	Fan Override – Normally Closed (orange)	79PSL3-4, RD5-4625-0	2217003
1990-1999	All Models	Fan Override – Trinary™ Normally Open, Female 1/4"	K301-239, RD5-4583-0, BC1000, RD5-6012-3, 865700BSM, 86570P	2299109
All	All Models	Trinary™ Pressure Switch Normally Open Male 3/8"-24 (Pigtail use)	RD5-4585-0, RD5-3595-0	2299109
1990-1999	All Models	High Pressure – Normally Closed 300/200 psi 1/4" SAE	867559BSM, BB1025, BB1110, 1-4855Q	2275013
1990-1997	All Models	Trinary™ Pressure Switch (Fan Override) Normally Closed Female 1/4"	RD5-4625-0, RD5-4620-0	2299008
1998-2011	All Models	Low Pressure – Normally Open, M12, 2 pin, 13/30 psi	650446BSM, F27-1002	2299101
T400 SERIES				
1996-2008	All Models	Clutch Switch – with Bergstrom A/C, 15 amp, 3 Terminal 12V	221504KB, 652100BSM, BA1045, RD5-5308-0, VL3L3014-D9	2199003
1999-2014	All Models	High Pressure – Normally Closed, M10, 2 pin	650697	2214002
2007-2014	All Models	Low Pressure – Normally Open, M12, 2 pin (green)	650442BSM, 652578BSM	2214003
2006-2008	All Models	Binary Switch – M10 2 pin (brown) uses #1546 harness	K301-370-1, 79PSD4	2214006
1990-2008	All Models	High Pressure – Normally Closed, M10 Female (purple)	18-03835, 79PSL2-3, 1439	2217001
1999-2014	All Models	Fan Override – Normally Closed (orange)	79PSL3-4, RD5-4625-0	2217003
1990-1999	All Models	Fan Override – Trinary™ Normally Open, Female 1/4"	K301-239, RD5-4583-0, BC1000, RD5-6012-3, 865700BSM, 86570P	2299109
All	All Models	Trinary™ Pressure Switch Normally Open Male 3/8"-24 (Pigtail use)	RD5-4585-0, RD5-3595-0	2299109
1990-1999	All Models	High Pressure – Normally Closed 300/200 psi 1/4" SAE	867559BSM, BB1025, BB1110, 1-4855Q	2275013
1990-1997	All Models	Trinary™ Pressure Switch (Fan Override) Normally Closed Female 1/4"	RD5-4625-0, RD5-4620-0	2299008
1998-2011	All Models	Low Pressure – Normally Open, M12, 2 pin, 13/30 psi	650446BSM, F27-1002	2299101
T600 SERIES				
1996-2008	All Models	Clutch Switch – with Bergstrom A/C, 15 amp, 3 Terminal 12V	221504KB, 652100BSM, BA1045, RD5-5308-0, VL3L3014-D9	2199003
1999-2014	All Models	High Pressure – Normally Closed, M10, 2 pin	650697	2214002
2007-2014	All Models	Low Pressure – Normally Open, M12, 2 pin (green)	650442BSM, 652578BSM	2214003
2006-2008	All Models	Binary Switch – M10 2 pin (brown) uses #1546 harness	K301-370-1, 79PSD4	2214006
1990-2008	All Models	High Pressure – Normally Closed, M10 Female (Purple)	18-03835, 79PSL2-3, 1439	2217001

Kenworth

SWITCHES - PRESSURE

YEAR	MODEL	DESCRIPTION	OEM NO.	KYSOR NO.
1999-2014	All Models	Fan Override – Normally Closed (orange)	79PSL3-4, RD5-4625-0	2217003
1990-1999	All Models	Fan Override – Trinary™ Normally Open, Female 1/4"	K301-239, RD5-4583-0, BC1000, RD5-6012-3, 865700BSM, 86570P	2299109
All	All Models	Trinary™ Pressure Switch Normally Open Male 3/8"-24 (Pigtail use)	RD5-4585-0, RD5-3595-0	2299109
1990-1999	All Models	High Pressure – Normally Closed 300/200 psi 1/4" SAE	867559BSM, BB1025, BB1110, 1-4855Q	2275013
1990-1997	All Models	Trinary™ Pressure Switch (Fan Override) Normally Closed Female 1/4"	RD5-4625-0, RD5-4620-0	2299008
1998-2011	All Models	Low Pressure – Normally Open, M12, 2 pin, 13/30 psi	650446BSM, F27-1002	2299101
T700 SERIES				
1996-2008	All Models	Clutch Switch – with Bergstrom A/C, 15 amp, 3 Terminal 12V	221504KB, 652100BSM, BA1045, RD5-5308-0, VL3L3014-D9	2199003
1999-2014	All Models	High Pressure – Normally Closed, M10, 2 pin	650697	2214002
2007-2014	All Models	Low Pressure – Normally Open, M12, 2 pin (green)	650442BSM, 652578BSM	2214003
2006-2008	All Models	Binary Switch – M10 2 pin (brown) uses #1546 harness	K301-370-1, 79PSD4	2214006
1990-2008	All Models	High Pressure – Normally Closed, M10 Female (Purple)	18-03835, 79PSL2-3, 1439	2217001
1999-2014	All Models	Fan Override – Normally Closed (orange)	79PSL3-4, RD5-4625-0	2217003
1990-1999	All Models	Fan Override – Trinary™ Normally Open, Female 1/4"	K301-239, RD5-4583-0, BC1000, RD5-6012-3, 865700BSM, 86570P	2299109
All	All Models	Trinary™ Pressure Switch Normally Open Male 3/8"-24 (Pigtail use)	RD5-4585-0, RD5-3595-0	2299109
1990-1999	All Models	High Pressure – Normally Closed 300/200 psi 1/4" SAE	867559BSM, BB1025, BB1110, 1-4855Q	2275013
1990-1997	All Models	Trinary™ Pressure Switch (Fan Override) Normally Closed Female 1/4"	RD5-4625-0, RD5-4620-0	2299008
1998-2011	All Models	Low Pressure – Normally Open, M12, 2 pin, 13/30 psi	650446BSM, F27-1002	2299101
T800 SERIES				
1996-2008	All Models	Clutch Switch – with Bergstrom A/C, 15 amp, 3 Terminal 12V	221504KB, 652100BSM, BA1045, RD5-5308-0, VL3L3014-D9	2199003
1999-2014	All Models	High Pressure – Normally Closed, M10, 2 pin	650697	2214002
2007-2014	All Models	Low Pressure – Normally Open, M12, 2 pin (green)	650442BSM, 652578BSM	2214003
2006-2008	All Models	Binary Switch – M10 2 pin (brown) uses #1546 harness	K301-370-1, 79PSD4	2214006
1990-2008	All Models	High Pressure – Normally Closed, M10 Female (Purple)	18-03835, 79PSL2-3, 1439	2217001
1999-2014	All Models	Fan Override – Normally Closed (orange)	79PSL3-4, RD5-4625-0	2217003
1990-1999	All Models	Fan Override – Trinary™ Normally Open, Female 1/4"	K301-239, RD5-4583-0, BC1000, RD5-6012-3, 865700BSM, 86570P	2299109
All	All Models	Trinary™ Pressure Switch Normally Open Male 3/8"-24 (Pigtail use)	RD5-4585-0, RD5-3595-0	2299109

SWITCHES - PRESSURE

YEAR	MODEL	DESCRIPTION	OEM NO.	KYSOR NO.
1990-1999	All Models	High Pressure – Normally Closed 300/200 psi 1/4" SAE	867559BSM, BB1025, BB1110, 1-4855Q	2275013
1990-1997	All Models	Trinary™ Pressure Switch (Fan Override) Normally Closed Female 1/4"	RD5-4625-0, RD5-4620-0	2299008
1998-2011	All Models	Low Pressure – Normally Open, M12, 2 pin, 13/30 psi	650446BSM, F27-1002	2299101
W900 SERIES				
1996-2008	All Models	Clutch Switch – with Bergstrom A/C, 15 amp, 3 Terminal 12V	221504KB, 652100BSM, BA1045, RD5-5308-0, VL3L3014-D9	2199003
2007-2014	All Models	Low Pressure – Normally Open, M12, 2 pin (green)	650442BSM, 652578BSM	2214003
2006-2008	All Models	Binary Switch – M10 2 pin (brown) uses #1546 harness	K301-370-1, 79PSD4	2214006
1999-2014	All Models	Fan Override – Normally Closed (orange)	79PSL3-4, RD5-4625-0	2217003
1990-1999	All Models	Fan Override – Trinary™ Normally Open, Female 1/4"	K301-239, RD5-4583-0, BC1000, RD5-6012-3, 865700BSM, 86570P	2299109
1990-1999	All Models	High Pressure – Normally Closed 300/200 psi 1/4" SAE	867559BSM, BB1025, BB1110, 1-4855Q	2275013
1990-1997	All Models	Trinary™ Pressure Switch (Fan Override) Normally Closed Female 1/4"	RD5-4625-0, RD5-4620-0	2299008
1998-2011	All Models	Low Pressure – Normally Open, M12, 2 pin, 13/30 psi	650446BSM, F27-1002	2299101
1999-2014	All Models	High Pressure – Normally Closed, M10, 2 pin	650697	2214002
1990-2008	All Models	High Pressure – Normally Closed, M10 Female (Purple)	18-03835, 79PSL2-3, 1439	2217001
1969-1974	W900	Low Pressure - Normally Open, 25/35 psi 2 Spade	RD5-6394-0, BB1000, BSM318014, 1-2249Q	2299005

SWITCHES - THERMOSTATIC

YEAR	MODEL	DESCRIPTION	OEM NO.	KYSOR NO.
C500 SERIES (COE AND CONVENTIONAL)				
All	All Models	Control Switch – Temperature Circuit Board	650396BSM, K301-390-1	2199070
1991-2014	C500	All with preset type 12" Capillary Length 31"-39"	650163BSM, 9533N538, RD5-8938-0, BD1355	2314002
1975-1986	C500, Brute	All Models with preset type	A45-1054, BD1340	2399005
1969-1982	C500	Cable Type 30" Capillary Length (Pull for cold)	7042-1, A45-1040, BD1300, 1-2253Q, RD4226	2399010
1976-1979	C500	All Models with Cable Operated valve	404019	2399010
1991-2014	C500	All with preset type 12" Capillary Length 31"- 39"	650163BSM, 9533N538, RD5-8938-0, BD1355	2399009
COE, CHASSIS AND CONVENTIONAL				
All	All Models	Control Switch – Temperature Circuit Board	650396BSM, K301-390-1	2199070
K100 SERIES				
1980-1985	K100 Series	All with preset type 24" Capillary Length 34'-38' 2-1/8" Hole Spacing	A45-1054, RD4427-17, BD1070, BD1075	2399005
All	All Models	Control Switch – Temperature Circuit Board	650396BSM, K301-390-1	2199070



Kenworth

SWITCHES - THERMOSTATIC

YEAR	MODEL	DESCRIPTION	OEM NO.	KYSOR NO.
1969-1982	K100	Cable Type 30" Capillary Length (Pull for cold)	7042-1, A45-1040, BD1300, 1-2253Q	2399010
MID RANGER				
1987-1996	13-210 Mid-Ranger	All Mid-Ranger with Kysor A/C	404157, 1-1844Q, BD1105,	2399005
1990-1996	13-210 Mid-Ranger	Thermostatic Switch, capillary length 24"	RD4427-17, BD1070, BD1075, 1332	2399005
T2000 SERIES				
1996-2010	T2000	Potentiometer 3 wires (female) for cab control	650465BSM	2114007
1996-2010	T2000	Potentiometer 4 wires, Bunk Control (male)	650396BSM	2199070
1998-2011	T2000	All with preset type 12" Capillary Length 31°- 39°	9533N538, 650163BSM, RD5-8938-0, BD1355	2399009
T270 SERIES				
All	All Models	Control Switch – Temperature Circuit Board	650396BSM, K301-390-1	2199070
T300 SERIES				
All	All Models	Control Switch – Temperature Circuit Board	650396BSM, K301-390-1	2199070
1991-2014	All Models	All with preset type 12" Capillary Length 31°- 39°	650163BSM, 9533N538, RD5-8938-0, BD1355	2399009
1998-2011	All Models	All with preset type 12" Capillary Length 31"-39" 9533N538	650163BSM, RD5-8938-0, BD1355	2314002
1991-2014	All Models	All with preset type 12" Capillary Length 31"-39"	650163BSM, 9533N538, RD5-8938-0, BD1355	2314002
T400 SERIES				
All	All Models	Control Switch – Temperature Circuit Board	650396BSM, K301-390-1	2199070
1991-2014	All Models	All with preset type 12" Capillary Length 31°- 39°	650163BSM, 9533N538, RD5-8938-0, BD1355	2399009
1998-2011	All Models	All with preset type 12" Capillary Length 31"-39" 9533N538	650163BSM, RD5-8938-0, BD1355	2314002
1991-2014	All Models	All with preset type 12" Capillary Length 31"-39"	650163BSM, 9533N538, RD5-8938-0, BD1355	2314002
T600 SERIES				
All	All Models	Control Switch – Temperature Circuit Board	650396BSM, K301-390-1	2199070
1991-2014	All Models	All with preset type 12" Capillary Length 31"- 39"	650163BSM, 9533N538, RD5-8938-0, BD1355	2399009
1998-2011	All Models	All with preset type 12" Capillary Length 31"-39" 9533N538	650163BSM, RD5-8938-0, BD1355	2314002
1991-2014	All Models	All with preset type 12" Capillary Length 31"-39"	650163BSM, 9533N538, RD5-8938-0, BD1355	2314002
T660 SERIES				
1991-2014	All Models	All with preset type 12" Capillary Length 31°- 39°	650163BSM, 9533N538, RD5-8938-0, BD1355	2399009
1998-2011	All Models	All with preset type 12" Capillary Length 31"-39" 9533N538	650163BSM, RD5-8938-0, BD1355	2314002
1991-2014	All Models	All with preset type 12" Capillary Length 31"-39"	650163BSM, 9533N538, RD5-8938-0, BD1355	2314002

SWITCHES - THERMOSTATIC

YEAR	MODEL	DESCRIPTION	OEM NO.	KYSOR NO.
T700 SERIES				
All	All Models	Control Switch – Temperature Circuit Board	650396BSM, K301-390-1	2199070
1998-2011	T700	All with preset type 12" Capillary Length 31"- 39"	9533N538, 650163BSM, RD5-8938-0, BD1355	2399009
T800 SERIES				
All	All Models	Control Switch – Temperature Circuit Board	650396BSM, K301-390-1	2199070
1991-2014	All Models	All with preset type 12" Capillary Length 31"- 39"	650163BSM, 9533N538, RD5-8938-0, BD1355	2399009
1998-2011	All Models	All with preset type 12" Capillary Length 31"-39" 9533N538	650163BSM, RD5-8938-0, BD1355	2314002
1991-2014	All Models	All with preset type 12" Capillary Length 31"-39"	650163BSM, 9533N538, RD5-8938-0, BD1355	2314002
W900 SERIES				
All	All Models	Control Switch – Temperature Circuit Board	650396BSM, K301-390-1	2199070
1991-2008	W900	All with preset type 12" Capillary Length 31"- 39"	9533N538, 650163BSM, RD5-8938-0, BD1355	2399009
1991-2008	W900	All with preset type 12" Capillary Length 31"-39" 9533N538	650163BSM, RD5-8938-0, BD1355	2314002
1975-1986	W900	All Models with preset type	A45-1054, BD1070, BD1075	2399005
1969-1982	W900	Cable Type 30" Capillary Length (Pull for cold)	7042-1, A45-1040, BD1300, 1-2253Q, RD4226	2399010

SWITCHES

YEAR	MODEL	DESCRIPTION	OEM NO.	KYSOR NO.
ALL OTHER MODELS				
All	with Bergstrom A/C	Air Cylinder (double action)	DB1005	3299049

WATER VALVES

YEAR	MODEL	DESCRIPTION	OEM NO.	KYSOR NO.
C500 SERIES (COE AND CONVENTIONAL)				
1995-2000	All Models	Cable Operated, straight - pull to close	MA1005	2414008
1995-2000	All Models	Cable Operated, 90° - pull to close	865850BSM, MA1000, 86585P	2499120
COE, CHASSIS AND CONVENTIONAL				
1996-2010	All Models	with 4 pin main & sleeper with long life actuator type red" 4-pin (label "D" A3581404A)	650341, MA1430, 651259,	2117005
1995-2006	All Models	with 2 pin Main Unit with Signet A/C (Electric Vlv), with "E" Label Yellow,	P93CAB0200-01S	2117006
1995-2006	All Models	with 4 pin Main Unit with "C" Label Red	P93CAB0201-01S	2417002
1995-2006	All Models	with 4 pin with Signet Sleeper Electric Valve with "D" label Red	P93CAA0200-01S	2199066
2002-2008	All Models	Cable Operated, 5/8 hose x 5/8 hose, pull to open	869261, MA1680	2414011
2002-2008	All Models	Cable Operated Kit 5/8" hose	2499084	2499126

Kenworth

WATER VALVES

YEAR	MODEL	DESCRIPTION	OEM NO.	KYSOR NO.
2002-2008	All Models	Cable Operated, 5/8" hose x 5/8" hose, pull to open	869808, MA1690	2414004
1983-2000	All Models	Cable Operated with Kysor valve - pull to close	MA1010	2499121
1983-2000	All Models	Cable Operated with Kysor valve - pull to open	MA1015	2499119
1983-2000	All Models	Cable Operated Universal 5/8" valve - pull to open	MA1065	2499116
1995-2000	All Models	Cable Operated with bergstrom, core mount	MA1110	2499100
1983-2000	All Models	Cable Operated with Cable Operated valve with Red Dot valve	RD42570	2499116
1983-2000	All Models	Cable Operated with Cable Operated valve with Red Dot valve	RD551190	2499031
All	All Models	Air Operated with 90" elbow	MA1085	2499005
All	All Models	Air Operated with Red Dot P/N	MA1050	2499038
K100 SERIES				
1995-2000	All Models	Cable Operated, pull to close	MA1040	2499003
T2000 SERIES				
1999-2011	All Models	with 4 pin Mode Actuator	651258, MA1360	2118004
T270 SERIES				
2002-2014	All Models	with 2 pin, Actuator (label #A32062951B)	640059, MA1710	2113005
2008-2014	All Models	with 4 pin, Actuator (label # G32063211A)	650625	2113007
2008-2011	All Models	with 5 pin Actuator (label #A33140851A)	651291	2199067
2008-2011	All Models	Heater Valve Cable Operated, pull-to-close	870084, MA1695	2414007
T300 SERIES				
2002-2014	All Models	with 2 pin, Actuator (label #A32062951B)	640059, MA1710	2113005
2008-2014	All Models	with 4 pin, Actuator (label # G32063211A)	650625	2113007
2008-2011	All Models	with 5 pin Actuator (label #A33140851A)	651291	2199067
2008-2011	All Models	Heater Valve Cable Operated, pull-to-close	870084, MA1695	2414007
T370 SERIES				
2002-2014	All Models	with 2 pin, Actuator (label #A32062951B)	640059, MA1710	2113005
2008-2014	All Models	with 4 pin, Actuator (label # G32063211A)	650625	2113007
2008-2011	All Models	with 5 pin Actuator (label #A33140851A)	651291	2199067
2008-2011	All Models	Heater Valve Cable Operated, pull-to-close	870084, MA1695	2414007
T400 SERIES				
2002-2014	All Models	with 2 pin, Actuator (label #A32062951B)	640059, MA1710	2113005
2008-2014	All Models	with 4 pin, Actuator (label # G32063211A)	650625	2113007
2008-2011	All Models	with 5 pin Actuator (label #A33140851A)	651291	2199067
2008-2011	All Models	Heater Valve Cable Operated, pull-to-close	870084, MA1695	2414007
1995-2000	All Models	Cable Operated, straight - pull to close	MA1005	2414008
1995-2000	All Models	Cable Operated, 90" - pull to close	865850BSM, MA1000, 86585P	2499120
T440 SERIES				
2002-2014	All Models	with 2 pin, Actuator (label #A32062951B)	640059, MA1710	2113005
2008-2014	All Models	with 4 pin, Actuator (label # G32063211A)	650625	2113007

WATER VALVES

YEAR	MODEL	DESCRIPTION	OEM NO.	KYSOR NO.
2008-2011	All Models	with 5 pin Actuator (label #A33140851A)	651291	2199067
2008-2011	All Models	Heater Valve Cable Operated, pull-to-close	870084, MA1695	2414007
1995-2000	All Models	Cable Operated, straight - pull to close	MA1005	2414008
1995-2000	All Models	Cable Operated, 90° - pull to close	865850BSM, MA1000, 86585P	2499120
T600 SERIES				
2002-2014	All Models	with 2 pin, Actuator (label #A32062951B)	640059, MA1710	2113005
2008-2014	All Models	with 4 pin, Actuator (label # G32063211A)	650625	2113007
2008-2011	All Models	with 5 pin Actuator (label #A33140851A)	651291	2199067
2005-2011	All Models	with 5 pin Heater Valve Electric Operated 90° 5/8" x 5/8" hose	869948	2414010
2005-2011	All Models	with 5 pin Heater Valve Electric Operated Straight	249082	2499110
2008-2011	All Models	with 4 pin Heater Valve Electric Operated 5/8" hose end	868505, MA1685	2499118
2008-2011	All Models	Heater Valve Cable Operated, pull-to-close	870084, MA1695	2414007
1995-2000	All Models	Cable Operated, straight - pull to close	MA1005	2414008
1995-2000	All Models	Cable Operated, 90° - pull to close	865850BSM, MA1000, 86585P	2499120
T660 SERIES				
2002-2014	All Models	with 2 pin, Actuator (label #A32062951B)	640059, MA1710	2113005
2008-2014	All Models	with 4 pin, Actuator (label # G32063211A)	650625	2113007
2008-2011	All Models	with 5 pin Actuator (label #A33140851A)	651291	2199067
2008-2011	All Models	Heater Valve Cable Operated, pull-to-close	870084, MA1695	2414007
1995-2000	All Models	Cable Operated, straight - pull to close	MA1005	2414008
1995-2000	All Models	Cable Operated, 90° - pull to close	865850BSM, MA1000, 86585P	2499120
T700 SERIES				
2002-2014	All Models	with 2 pin, Actuator (label #A32062951B)	640059, MA1710	2113005
2008-2014	All Models	with 4 pin, Actuator (label # G32063211A)	650625	2113007
2008-2011	All Models	with 5 pin Actuator (label #A33140851A)	651291	2199067
1999-2011	All Models	with 4 pin Mode Actuator	651258, MA1360	2118004
2008-2011	All Models	Heater Valve Cable Operated, pull-to-close	870084, MA1695	2414007
1995-2000	All Models	Cable Operated, straight - pull to close	MA1005	2414008
1995-2000	All Models	Cable Operated, 90° - pull to close	865850BSM, MA1000, 86585P	2499120
T800 SERIES				
2002-2014	All Models	with 2 pin, Actuator (label #A32062951B)	640059, MA1710	2113005
2008-2014	All Models	with 4 pin, Actuator (label # G32063211A)	650625	2113007
2008-2011	All Models	with 5 pin Actuator (label #A33140851A)	651291	2199067
2005-2011	All Models	with 5 pin Heater Valve Electric Operated 90° 5/8" x 5/8" hose	869948	2414010
2005-2011	All Models	with 5 pin Heater Valve Electric Operated Straight	249082	2499110
2008-2011	All Models	with 4 pin Heater Valve Electric Operated 5/8" hose end	868505, MA1685	2499118
2008-2011	All Models	Heater Valve Cable Operated, pull-to-close	870084, MA1695	2414007
1995-2000	All Models	Cable Operated, straight - pull to close	MA1005	2414008



Kenworth

WATER VALVES

YEAR	MODEL	DESCRIPTION	OEM NO.	KYSOR NO.
1995-2000	All Models	Cable Operated, 90" - pull to close	865850BSM, MA1000, 86585P	2499120
W900 SERIES				
2005-2011	All Models	with 5 pin Heater Valve Electric Operated 90" 5/8" x 5/8" hose	869948	2414010
2005-2011	All Models	with 5 pin Heater Valve Electric Operated Straight	249082	2499110
2008-2011	All Models	with 4 pin Heater Valve Electric Operated 5/8" hose end	868505, MA1685	2499118
1995-2000	All Models	Cable Operated, straight - pull to close	MA1005	2414008
1995-2000	All Models	Cable Operated, 90" - pull to close	865850BSM, MA1000, 86585P	2499120

AIR FILTERS

YEAR	MODEL	DESCRIPTION	OEM NO.	KYSOR NO.
ALL OTHER MODELS				
2008-2014	All Models	10" x 9-7/8" x 1"	3543-H9638	3115001
2002-2009	All Models	10-1/4" x 11" x 1/2"	7787-525784, MA0201P	3199030

AIR SOLENOIDS

YEAR	MODEL	DESCRIPTION	OEM NO.	KYSOR NO.
ALL OTHER MODELS				
All	All Models	All air solenoid for fan clutch control	4379-RD5-0060-0	1899011

BLOWER MOTORS

YEAR	MODEL	DESCRIPTION	OEM NO.	KYSOR NO.
ALL OTHER MODELS				
All	All Models	Roof Mount Condenser Motor	7979-275130	1014002
1990-1995	All COE Models	Bunk Motor Red Dot A/C	4379-RD5-5435-0	1099007
1993	All COE Models	Sleeper motor Red Dot A/C	HA1175	1099007
1990-1994	All Models	Unit – R-4120 Combo & heater only	4379-RD5-6526-1	1099022
CH				
1990-2000	CH	All Models Red Dot A/C	4379-RD5-5269-0	1015006
2000-2008	CH	All Bergstrom Main Units	7787-869445	1015007
2008-2014	CH	All Bergstrom Main Units	3543-H9631	1015009
CH PINNACLE				
2008-2014	Pinnacle	All Bergstrom Main Units	3543-H9631	1015009
CL				
1990-2000	CL	All Models Red Dot A/C	4379-RD5-5269-0	1015006
2000-2008	CL	All Bergstrom Main Units	7787-869445	1015007
CS				
1990-1996	CS	All CS Midliner Kysor A/C (Evaporator motor)	7979-275102	1099015
1990-2002	CS	All CS Midliner, Red Dot A/C (double shaft)	4379-RD5-5121-0	1099021
1990-1993	CS	All CS Midliner Models Behr A/C	HA1060	1099022
CX				
1999-2000	CX	All Models Main Units RedDot A/C	4379-RD5-9100-0, 4379-RD510337-0	1015006
2000-2008	CX	All Bergstrom Main Units	7787-869445	1015007
2008-2014	CX	All Bergstrom Main Units	3543-H9631	1015009
CX PINNACLE				
2008-2014	Pinnacle	All Bergstrom Main Units	3543-H9631	1015009
DM				
1990-2000	DM Conv	A/C & Heater Motor Red Dot Factory A/C	4379-RD5-5435-0	1099007
1990-2005	All Models	All Models Main Units RedDot A/C	4379-RD5-6315-0	1099007
GRANITE — CT SERIES				
2002-2008	Granite	All Bergstrom Main Units	7787-869445	1015007
2008-2014	Granite	All Bergstrom Main Units	3543-H9631	1015009

Mack

BLOWER MOTORS

YEAR	MODEL	DESCRIPTION	OEM NO.	KYSOR NO.
GRANITE — CV SERIES				
2002-2008	Granite	All Bergstrom Main Units	7787-869445	1015007
2008-2014	Granite	All Bergstrom Main Units	3543-H9631	1015009
GRANITE — GU SERIES				
2002-2008	Granite	All Bergstrom Main Units	7787-869445	1015007
2008-2014	Granite	All Bergstrom Main Units	3543-H9631	1015009
MR (REFUSE)				
1990-2000	MR	All Models Main Units Red Dot A/C (double shaft)	4379-RD5-5121-0	1099021
MS (REFUSE)				
1990-1993	MS	Behr A/C	3486-809-03-00-019	1015007
1990-2000	MS	All Models Kysor or RedDot A/C (Heater motor)	HA1710	1099015
R				
1990-2000	R	A/C & Heater Motor Red Dot Factory A/C	4379-RD5-5435-0	1099007
1990-2005	All Models	All Models Main Units RedDot A/C	4379-RD5-6315-0	1099007
RB				
1990-2005	All Models	All Models Main Units RedDot A/C	4379-RD5-6315-0	1099007
RD				
1990-2005	All Models	All Models Main Units RedDot A/C	4379-RD5-6315-0	1099007
RW				
1990-2005	All Models	All Models Main Units RedDot A/C	4379-RD5-6315-0	1099007
SLEEPER UNITS				
1995-2000	All Models	Unit -R-4230/R-4240 Combo & heater only -CTC	4379-RD5-6315-0	1099007
1990-1993	All COE Models	Sleeper motor Red Dot A/C	HA1175	1099007
1990-1994	All Models	Unit – R-4120 Combo & heater only	4379-RD5-6526-1	1099022
TITAN				
2008-2014	TD713	All Bergstrom Main Units	3543-H9631	1015009
U				
1990-2005	All Models	All Models Main Units RedDot A/C	4379-RD5-6315-0	1099007
VISION				
1999-2000	Vision	All Models Main Units RedDot A/C	4379-RD5-9100-0, 4379-RD510337-0	1015006
2000-2008	Vision	All Bergstrom Main Unit	7787-869445	1015007
WS				
1990-1994	All Models	Unit – R-4120 Combo & heater only	4379-RD5-6526-1	1099022

BLOWER WHEELS

YEAR	MODEL	DESCRIPTION	OEM NO.	KYSOR NO.
CH				
1986-2000	CH	All with Main Unit with Red Dot unit	4379-RD5-6651-0	1115003

BLOWER WHEELS

YEAR	MODEL	DESCRIPTION	OEM NO.	KYSOR NO.
CL				
1986-2000	CL	All with Main Units with Red Dot unit	4379-RD5-6651-0	1115003
CM				
1990-2000	CM	All CM Models Red Dot unit	4379-RD3-1061-5	1199008
CS				
1990-2000	CS	All MS Models Red Dot A/C	4379-RD5-5656-0	1199009
CX				
1999-2004	CX	All Models with Red Dot units	4379-RD5-6651-0	1115003
DM				
1990-1996	DM	All DM Models Red Dot A/C	4379-RD5-5263-0	1199008
1990-2005	DM,DMM	All Models Main Units Red Dot A/C	HC1345	1199008
1984-1996	DM	All DM modles with Red Dot A/C	4379-RD5-5263-0	1115001
MC (REFUSE)				
1990-2000	MC	All MC Models Red Dot A/C	4379-RD5-3933-0	1199001
MH (REFUSE)				
1990-1996	MH	All MH Models with Red Dot A/C	4379-RD31069	1199010
MR (REFUSE)				
1990-2000	MR	All MR Models Red Dot A/C	4379-RD5-3933-0	1199001
MS (REFUSE)				
1990-2000	MS	All MS Models Red Dot A/C	4379-RD5-5656-0	1199009
R				
1990-1996	R	All R Models Red Dot A/C	4379-RD5-5263-0	1199008
1984-1996	R	All R modles with Red Dot A/C	4379-RD5-5263-0	1115001
RB				
1990-2005	RB	All Models Main Units Red Dot A/C	HC1345	1199008
RD				
1990-2005	RD	All Models Main Units Red Dot A/C	HC1345	1199008
RL				
1990-1996	RL	All RL,RW & RS Models Red Dot A/C	4379-RD5-5263-0	1199008
RS				
1990-1996	RS	All RL,RW & RS Models Red Dot A/C	4379-RD5-5263-0	1199008
RW				
1990-1996	RW	All RL,RW & RS Models Red Dot A/C	4379-RD5-5263-0	1199008
SLEEPER UNITS				
1990-2004	All Models	R-4120,4230 & 4240 Combo & heater only	4379-RD55601-0	1199003
1990-1993	All Models	C bunk blower for Sleeper Unit (Red Dot)	HC1285	1199008
VISION				
1999-2004	Vision	All Models with Red Dot Units	4379-RD5-6651-0	1115003
WL				
1990-1996	WL	All WL Models Red Dot A/C	4379-RD3-1061-5	1199008
WS				
1990-1996	WS	All WS Models Red Dot A/C	4379-RD3-1061-5	1199008

Mack

CLUTCHES

YEAR	MODEL	DESCRIPTION	OEM NO.	KYSOR NO.
ALL OTHER MODELS WITH YORK/T/CCI - STYLE COMPRESSOR				
All	All Models	2 groove 6" Diameter diode	1MX240, 7531, 332639	1313005
All	All Models	2 groove 6" Diameter diode & Weatherpack terminal.	1MX242, 1MXA1280, 10884, 501939	1380001
All	All Models	2 groove 7" Diameter diode (Standard Duty)	1MX246, 7534, 332334	1399004
All	All Models	1 groove 7 1/4" Diameter	1MXA1279, 1MXA3268, 10761, 502400	1399027

COMPRESSORS

YEAR	MODEL	DESCRIPTION	OEM NO.	KYSOR NO.
ALL OTHER MODELS WITH SANDEN - STYLE COMPRESSOR				
All	All Models	2 groove 132 mm, Ear Mount, 1 wire	4639, 206RD413M, 85130015	1401115
All	All Models	2 groove 132 mm, Ear Mount, 2 wires	4694, 8080060	1401122
All	All Models	2 groove 132 mm, Direct Mount, 2 wires	4699, 8080059	1401125
All	All Models	2 groove 125 mm, Ear Mount, 2 wires	7803, 15653237	1401202
All	All Models	8 groove 130mm, Ear Mount, 1 wire	4700, 8080058	1401344
All	All Models	Sanden 4493 with 8 groove 130mm, Direct Mount, 2 wires	4493, 1027P4, 20501067	1401362
All	All Models	8 groove 130mm, Direct Mount, 1 wire	4823, 20395054	1401378
All	All Models	2 groove 132 mm, Direct Mount, 2 wires	4890, 85104593	1401379
All	All Models	6 groove 125 mm, Direct Mount, 2 wires	4883, 206RD51M	1401397
All	All Models	Sanden 4490 with 8 groove 130mm, Ear Mount, 2 wires	4490, 8082268	1401400
All	All Models	Sanden 4332 with 7 gr, 130mm, Direct Mount, 2 wires	4332, 19130042	1401401
All	All Models	Sanden 4326 with 8 gr, 180 mm, Direct Mount, 2 wires, 12V	4326, 206RD53M	1401437
All	All Models	Sanden 4085 with 6 gr, 125 mm, Direct Mount, 2 wires, 12V	4085, 20501069	1401443
All	All Models	8 groove 130mm, Ear Mount, 2 wires	4659, 8142556	1410083
All	All Models	with 2 groove 125mm, Ear Mount, 2 wires (7803)	15653237	3099007
All	All Models	with 8 groove 130mm, Direct Mount, 2 wires (4493, 1027P4)	20501067	1410010
All	All Models	with 8 groove 180mm, Direct Mount, 2 wires 12V (4326)	206RD53M	1412009
ALL OTHER MODELS WITH YORK/T/CCI - STYLE COMPRESSOR				
All	All Models	T/CCI Heavy Duty with tube O-ring fittings	ET210L-25150, 793-25150	1402002

CONDENSERS

YEAR	MODEL	DESCRIPTION	OEM NO.	KYSOR NO.
CH				
1994-1998	CH	All Models with factory air	210RD54M, 25084242	1515004
1990-1994	CH	All Models factory air	210RD411M	1515002
2008-2010	CH	Condenser Coil	210RD411M	1515002
1994-1998	CH	All Models factory air 34" Length	210RD56M	1515005

CONDENSERS

YEAR	MODEL	DESCRIPTION	OEM NO.	KYSOR NO.
1994-1998	CH	Condenser Coil 29" L x 19-1/2" H x 3/4" W	210RD510M	1515016
1994-1998	CH	All Models factory air	210RD54M, 25084242	1515017
2000-2008	CH, CHN	All Models	210RD59M	1515017
2009-2014	CH	Condenser Coil	21095290, 21814392, M522000	1518010
CH PINNACLE				
2008-2010	Pinnacle	Condenser Coil	210RD411M	1515002
1994-1998	CH	Condenser Coil 29" L x 19-1/2" H x 3/4" W	210RD510M	1515016
2009-2014	Pinnacle	Condenser Coil	21095290, 21814392, M522000	1518010
CS				
1983-1992	CS	with Kysor Remote (REar WALL Mount) Condenser Unit	7979-401077	1575007
CX				
2000-2007	CX	All Models	210RD427	1515014
2000-2007	CX	All Models	210RD59M, 210RD49302P2	1515017
2007-2010	CX	15" x 31" x 3/4" Pad fittings	210RD517M	1515019
2009-2014	CX	All Models	21095290, 21814392, M522000, 22314813	1515022
CX PINNACLE				
2009-2014	CX Pinnacle	Condenser Coil	21095290, 21814392, M522000, 22314813	1518010
2009-2014	CX Pinnacle	All Models	21095290, 21814392, M522000, 22314813	1515022
DH				
1991-1993	DH	All Models factory air	210RD412	1515003
DM				
1991-1993	DM	All Models factory air	210RD412	1515003
GRANITE — CT SERIES				
2002-2007	All Models	All Models	210RD511M, 210RD57M	1515013
2002-2007	All Models	All Models	210RD427	1515014
2002-2007	All Models	All Models	210RD59M	1515017
2002-2003	All Models	All Models	210RD428	1515018
2008-2014	All Models	Condenser Coil	21095290, 21814392, M522000	1518010
2008-2014	All Models	All Models	21095290, 21814392, M522000	1515022
GRANITE — CV SERIES				
2008-2014	All Models	All Models	21095290, 21814392, M522000	1515022
2002-2007	All Models	All Models	210RD511M, 210RD57M	1515013
2002-2007	All Models	All Models	210RD427	1515014
2002-2007	All Models	All Models	210RD59M	1515017
2002-2003	All Models	All Models	210RD428	1515018
2008-2014	All Models	Condenser Coil	21095290, 21814392, M522000	1518010

Mack

CONDENSERS

YEAR	MODEL	DESCRIPTION	OEM NO.	KYSOR NO.
GRANITE — GU SERIES				
2008-2014	All Models	All Models	21095290, 21814392, M522000	1515022
2002-2007	All Models	All Models	210RD511M, 210RD57M	1515013
2002-2007	All Models	All Models	210RD427	1515014
2002-2007	All Models	All Models	210RD59M	1515017
2002-2003	All Models	All Models	210RD428	1515018
2008-2014	All Models	Condenser Coil	21095290, 21814392, M522000	1518010
MC (REFUSE)				
1983-1993	MH	All Models	210RD46AM, 7979-401077	1575007
MR (REFUSE)				
1994-1998	MR	All Models factory air	210RD424	1515015
MS (REFUSE)				
1983-1993	MS	All Models	210RD46AM, 7979-401077	1575007
RD				
1995-2000	RD688S	Factory A/C	210RD418, 25498661	1515006
TITAN				
2008-2012	All Models	All Models	21095290, 21814392, 22314813	1515022
VISION				
2009-2014	Vision	All Models	21095290, 21814392, M522000, 22314813	1515022
2000-2007	Vision	All Models	210RD427	1515014
2000-2007	Vision	All Models	210RD59M, 210RD49302P2	1515017
2007-2010	Vision	15" x 31" x 3/4" Pad fittings	210RD517M	1515019
2009-2014	Vision	Condenser Coil	21095290, 21814392, M522000, 22314813	1518010

EVAPORATORS

YEAR	MODEL	DESCRIPTION	OEM NO.	KYSOR NO.
CH				
1990-2000	CH, Conv	All Models Red Dot system	4379-RD2-1588-0	1615008
CH PINNACLE				
2008-2014	CH, Pinnacle	All 10"x9"x3-1/8"	4379-RD2-1655-0	1615008
CL				
1990-2000	CL, Conv	All Models Red Dot system	4379-RD2-1588-0	1615008
CX				
1999-2004	CX	10" x 9" x 3-1/8"	4379-RD2-1655-0	1615008
2002-2007	All Models	Bergstrom A/C (10" x 10" x 2-1/5")	7787-86922	1615011
2008-2013	All Models	Behr A/C (7" x 10-3/8" x 2-5/8")	3543-R0442001	1615012
2002-2007	All Models	Bergstrom A/C (10" x 10" x 2-1/5")	7787-869224	1615010
CX PINNACLE				
2002-2007	All Models	Bergstrom A/C (10" x 10" x 2-1/5")	7787-86922	1615011

EVAPORATORS

YEAR	MODEL	DESCRIPTION	OEM NO.	KYSOR NO.
2008-2013	All Models	Behr A/C (7" x 10-3/8" x 2-5/8")	3543-R0442001	1615012
2002-2007	All Models	Bergstrom A/C (10" x 10" x 2-1/5")	7787-869224	1615010
DM				
1990-2005	DM	Red Dot A/C (8"x8-1/4"x3-1/8")	4379-RD2-1480-1	1615003
1990-1993	DM	All Models Kysor Mini-brute un	7979-40005	1675002
GRANITE				
2002-2007	All Models	Bergstrom A/C (10" x 10" x 2-1/5")	7787-869224	1615011
2008-2012	All Models	Behr A/C (7" x 10-3/8" x 2-5/8")	3543-R0442001	1615012
2002-2007	All Models	Bergstrom A/C (10" x 10" x 2-1/5")	7787-869224	1615010
R				
1990-2005	R	Red Dot A/C (8" x 8-1/4" x 3-1/8")	4379-RD2-1480-1	1615003
1990-1993	R	All Models Kysor Mini-brute un	7979-40005	1675002
RB				
1990-2005	RB	Red Dot A/C (8" x 8-1/4" x 3-1/8")	4379-RD2-1480-1	1615003
RD				
1990-2005	RD	Red Dot A/C (8" x 8-1/4" x 3-1/8")	4379-RD2-1480-1	1615003
RL				
1990-1993	RL	All Models Kysor Mini-brute un	7979-40005	1675002
RS				
1990-1993	RS	All Models Kysor Mini-brute un	7979-40005	1675002
RW				
1990-1993	RW	All Models Kysor Mini-brute un	7979-40005	1675002
TITAN				
2008-2012	All Models	Behr A/C (7" x 10-3/8" x 2-5/8")	3543-R0442001	1615012
U				
1990-2005	U	Red Dot A/C (8" x 8-1/4" x 3-1/8")	4379-RD2-1480-1	1615003
1990-1993	U	All Models Kysor Mini-brute un	7979-40005	1675002
VISION				
1999-2004	Vision	10" x 9" x 3-1/8"	4379-RD2-1655-0	1615008
2002-2007	All Models	Bergstrom A/C (10" x 10" x 2-1/5")	7787-86922	1615011
2008-2013	All Models	Behr A/C (7" x 10-3/8" x 2-5/8")	3543-R0442001	1615012
2002-2007	All Models	Bergstrom A/C (10" x 10" x 2-1/5")	7787-869224	1615010

EXPANSION VALVES AND ORIFICE TUBES

YEAR	MODEL	DESCRIPTION	OEM NO.	KYSOR NO.
CH				
1990-1995	CH	All Models block type Expansion valve #8 & #10 fittings	4379-RD570150	1899042
1990-2005	CH, CHN	Red Dot A/C	7787-869221, 4379-RD5-5382-0	1899042
2008-2014	All Models	All with block type Expansion valve	20443850	1818006
2008-2013	CH	All with block type Expansion Valve	3543-T4935001	1815001

Mack**EXPANSION VALVES AND ORIFICE TUBES**

YEAR	MODEL	DESCRIPTION	OEM NO.	KYSOR NO.
CH PINNACLE				
2008-2013	CH Pinnacle	All with block type Expansion Valve	3543-T4935001	1815001
2008-2014	All Models	All with block type Expansion valve	20443850	1818006
CL				
2008-2014	All Models	All with block type Expansion valve	20443850	1818006
1990-1995	CL	All Models with block type Expansion valve #8 & #10 fittings	4379-RD570150	1899042
CM				
2008-2014	All Models	All with block type Expansion valve	20443850	1818006
CS				
2008-2014	All Models	All with block type Expansion valve	20443850	1818006
CX				
2000-2001	All Models	All Red Dot A/C	4379-RD5-5382-0	1899042
CX PINNACLE				
2000-2001	All Models	All Red Dot A/C	4379-RD5-5382-0	1899042
2008-2013	CX Pinnacle	All with block type Expansion valve	3543-T4935001	1815001
DM				
1990-1993	DM	All Models Expansion valve externally equalized, Evans	7979-404073	1875003
GRANITE				
2002-2007	Granite	All Models with block type valve	4379-RD5-7015-1	1899042
2008-2012	Granite	All with block type Expansion valve	3543-T4935001	1815001
MH (CAB OVER)				
1990-1993	MH	All Models Expansion valve Signet unit	3230-218023	1813017
MH (REFUSE)				
1990-1993	MH	All Models with block type valve 2 ton capillary	4379-RD553820	1899042
R				
1990-1993	R	All Models Expansion valve externally equalized, Evans	7979-404073	1875003
TITAN				
2008-2014	All Models	All with block type Expansion valve	20443850	1818006
VISION				
2002-2012	Vision	All Models with block type valve	4379-RD5-7015-1	1899042
2000-2001	All Models	All Red Dot A/C	4379-RD5-5382-0	1899042
2008-2013	Vision	All with block type Expansion valve	3543-T4935001	1815001

HEATER CORES

YEAR	MODEL	DESCRIPTION	OEM NO.	KYSOR NO.
CH				
2008-2014	All Models	with BEHR Main Unit 7-1/2" x 10-3/8" x 1-1/2" Aluminum/Plastic	3543-K0762	1715009
2002-2005	CH, CHN	All 10" x 6" x 2-1/2"	7787-869223	1715008
1989-2003	CH	All Models with Red Dot A/C system	4379-RD1-0693-0	1715007

HEATER CORES

YEAR	MODEL	DESCRIPTION	OEM NO.	KYSOR NO.
CH PINNACLE				
2008-2014	All Models	with BEHR Main Unit 7-1/2" x 10-3/8" x 1-1/2" Aluminum/Plastic	3543-K0762	1715009
CL				
2008-2014	All Models	with BEHR Main Unit 7-1/2" x 10-3/8" x 1-1/2" Aluminum/Plastic	3543-K0762	1715009
1989-2003	CL	All Models with Red Dot A/C system	4379-RD1-0693-0	1715007
CM				
2008-2014	All Models	with BEHR Main Unit 7-1/2" x 10-3/8" x 1-1/2" Aluminum/Plastic	3543-K0762	1715009
CS				
2008-2014	All Models	with BEHR Main Unit 7-1/2" x 10-3/8" x 1-1/2" Aluminum/Plastic	3543-K0762	1715009
CX				
2008-2014	All Models	with BEHR Main Unit 7-1/2" x 10-3/8" x 1-1/2" Aluminum/Plastic	3543-K0762	1715009
2000-2008	All Models	All 10" x 6" x 2-1/2"	7787-869223, 7787-108332	1715008
CX PINNACLE				
2008-2014	All Models	with BEHR Main Unit 7-1/2" x 10-3/8" x 1-1/2" Aluminum/Plastic	3543-K0762	1715009
2000-2008	All Models	All 10" x 6" x 2-1/2"	7787-869223, 7787-108332	1715008
GRANITE				
2008-2014	All Models	with BEHR Main Unit 7-1/2" x 10-3/8" x 1-1/2" Aluminum/Plastic	3543-K0762	1715009
2000-2008	All Models	All 10" x 6" x 2-1/2"	7787-869223, 7787-108332	1715008
TITAN				
2008-2012	All Models	with BEHR Main Unit 7-1/2" x 10-3/8" x 1-1/2" Aluminum/Plastic	3543-K0762	1715009
VISION				
2008-2014	All Models	with BEHR Main Unit 7-1/2" x 10-3/8" x 1-1/2" Aluminum/Plastic	3543-K0762	1715009
2000-2008	All Models	All 10" x 6" x 2-1/2"	7787-869223, 7787-108332	1715008

RECEIVER DRIERS/ACCUMULATORS

YEAR	MODEL	DESCRIPTION	OEM NO.	KYSOR NO.
ALL OTHER MODELS				
1993-2002	All Models	All metric M10 x 1.25 port, moisture indicator	221RD335	1915008
1990-1997	All Models	All O-ring female switch port; switches, use 2601086 Low Pressure Switch	221RD333	1915004
1993-2000	All Models	All Models standard switch ports	221RD331	1915010
1993-1997	All Models	All Models standard switch ports	221RD334	1915010
CH				
1999-2006	CH, CHN	Drier – Main Cab Evaporator Red Dot	221RD335	1915008
1990-1998	CH	All Models without binary switch (supplied 1510 binary switch)	221RD327, 221RD327P2	1915005
1990-1998	CH	All Models without binary switch	221RD328, 4379-RD5-5979-0	1915005

Mack

RECEIVER DRIERS/ACCUMULATORS

YEAR	MODEL	DESCRIPTION	OEM NO.	KYSOR NO.
2006-2015	CH	Drier – 3/8" Male O-ring, PRV	20447319	1918008
CH PINNACLE				
2006-2015	Pinnacle	Drier – 3/8" Male O-ring, PRV	20447319	1918008
CL				
1990-1998	CL	All Models without binary switch	221RD328, 4379-RD5-5979-0	1915005
CM				
1990-1998	CM	All Models without binary switch	221RD328, 4379-RD5-5979-0	1915005
CS				
1990-1994	CS	All Models with Kysor A/C	7979-402562	1999005
1990	CS	All Models with Behr A/C	JA1045	1999005
1990-2000	CS	All Models with Red Dot A/C	4379-RD5-7061-0	1999016
1985-1989	CS	All Models with Red Dot A/C	4379-RD5-7061-1	1999220
CX				
2006-2015	All Models	Drier – 3/8" Male O-ring, PRV	20447319	1918008
1999-2005	All Models	Drier – Main Cab Evaporator Red dot	221RD335	1915008
2006-2015	All Models	Drier - 3/8" Male O-ring, PRV	20447319	1918005
CX PINNACLE				
1999-2005	All Models	Drier – Main Cab Evaporator Red dot	221RD335	1915008
2006-2015	All Models	Drier – 3/8" Male O-ring, PRV	20447319	1918008
2006-2015	All Models	Drier - 3/8" Male O-ring, PRV	20447319	1918005
DM				
1990-1993	DM	All Models without switch	JA1120	1999007
1990-1993	DM	All Models without switch	4379-RD5-3593-0	1999009
GRANITE				
2002-2005	Granite	Drier – Main Cab Evaporator Red dot	221RD335	1915008
2006-2015	All Models	Drier – 3/8" Male O-ring, PRV	20447319	1918008
2006-2015	All Models	Drier - 3/8" Male O-ring, PRV	20447319	1918005
LE-TERRAPRO (REFUSE)				
2007-2015	All Models	Drier – 3/8" Male O-ring, PRV	20447319	1918008
2007-2015	All Models	Drier - 3/8" Male O-ring, PRV	20447319	1918005
MC (REFUSE)				
2007-2015	All Models	Drier – 3/8" Male O-ring, PRV	20447319	1918008
2007-2015	All Models	Drier - 3/8" Male O-ring, PRV	20447319	1918005
MH (REFUSE)				
1990-1993	MH	All O-ring female switch port; switches	221RD312	1915004
2007-2015	All Models	Drier – 3/8" Male O-ring, PRV	20447319	1918008
2007-2015	All Models	Drier - 3/8" Male O-ring, PRV	20447319	1918005
MR (REFUSE)				
1993-2006	MR	All Models side switch port, moisture indicator	221RD333	1915004
1994-2003	MR	All Models standard switch ports	221RD334	1915010

RECEIVER DRIERS/ACCUMULATORS

YEAR	MODEL	DESCRIPTION	OEM NO.	KYSOR NO.
MS (REFUSE)				
2007-2015	All Models	Drier – 3/8" Male O-ring, PRV	20447319	1918008
1990-1994	MS	All Models with Kysor A/C	7979-402562	1999005
1985-1989	MS	All Models with Red Dot A/C	4379-RD5-7061-1	1999227
1990-2000	MS	All Models with Red Dot A/C	4379-RD5-7061-0	1999016
2007-2015	All Models	Drier - 3/8" Male O-ring, PRV	20447319	1918005
R				
1990-1993	R	All Models without switch	JA1120	1999007
1990-1993	R	All Models without switch	4379-RD5-3593-0	1999009
1990-1993	R	All Models side mounted trinary switch	4379-RD5-4632-0, 221RD315, 221RD323P2	1999022
RL				
1994-2005	RL	All Models	221RD334	1915010
1990-1993	RL	All Models without switch	JA1120	1999007
1990-1993	RL	All Models without switch	4379-RD5-3593-0	1999009
RS				
1994-2005	RS	All Models	221RD334	1915010
1990-1993	RS	All Models without switch	JA1120	1999007
1990-1993	RS	All Models without switch	4379-RD5-3593-0	1999009
RW				
1994-2005	RW	All Models	221RD334	1915010
1990-1993	RW	All Models without switch	JA1120	1999007
1990-1993	RW	All Models without switch	4379-RD5-3593-0	1999009
TITAN				
2011-2015	All Models	Drier – 3/8" Male O-ring, PRV	20447319	1918008
2011-2015	All Models	Drier - 3/8" Male O-ring, PRV	20447319	1918005
U				
1990-1993	U	All Models without switch	JA1120	1999007
1990-1993	U	All Models without switch	4379-RD5-3593-0	1999009
1990-1993	U	All Models side mounted trinary switch	4379-RD5-4632-0, 221RD315, 221RD323P2	1999022
VISION				
1999-2005	All Models	Drier – Main Cab Evaporator Red dot	221RD335	1915008
2006-2015	All Models	Drier - 3/8" Male O-ring, PRV	20447319	1918005
2006-2015	All Models	Drier – 3/8" Male O-ring, PRV	20447319	1918008

RELAYS

YEAR	MODEL	DESCRIPTION	OEM NO.	KYSOR NO.
ALL OTHER MODELS				
All	All Models	Relay with diode	2MR2014	2099003
MC (REFUSE)				
1990-1997	All Models	Relay with diode	2MR2014, 7979-221568, 7979-221655, 3486-70118-09003	2099003

Mack**RELAYS**

YEAR	MODEL	DESCRIPTION	OEM NO.	KYSOR NO.
MH (REFUSE)				
1990-1997	All Models	Relay with diode	2MR2014, 7979-221568, 7979-221655, 3486-70118-09003	2099003
MR (REFUSE)				
1990-1997	All Models	Relay with diode	2MR2014, 7979-221568, 7979-221655, 3486-70118-09003	2099003
MS (REFUSE)				
1990-1997	All Models	Relay with diode	2MR2014, 7979-221568, 7979-221655, 3486-70118-09003	2099003

RESISTORS

YEAR	MODEL	DESCRIPTION	OEM NO.	KYSOR NO.
CH				
2002-2010	All Models	Resistor Circuit Board	7787-650668	2015003
CH PINNACLE				
2002-2010	All Models	Resistor Circuit Board	7787-650668	2015003
CL				
2002-2010	All Models	Resistor Circuit Board	7787-650668	2015003
CM				
2002-2010	All Models	Resistor Circuit Board	7787-650668	2015003
CS				
2002-2010	All Models	Resistor Circuit Board	7787-650668	2015003
All	CS	3 Speed, 3 Terminals (used 2 wires motors)	RD536470	2099005
CX PINNACLE				
2002-2010	CX Pinnacle	Resistor Circuit Board	7787-650668	2015003
DM				
1990-1997	DM	All Models blower resistor Kysor unit	7979-220990	2099006
GRANITE				
2002-2010	Granite	Resistor Circuit Board	7787-650668	2015003
R				
1990-1997	R	All Models blower resistor Kysor unit	7979-220990	2099006
VISION				
2002-2010	Vision	Resistor Circuit Board	7787-650668	2015003

SOLENOID VALVES

YEAR	MODEL	DESCRIPTION	OEM NO.	KYSOR NO.
ALL OTHER MODELS				
All	All with Red Dot A/C	Solenoid for bunk unit	RD4188-0	1899038

SWITCHES - BLOWER

YEAR	MODEL	DESCRIPTION	OEM NO.	KYSOR NO.
ALL OTHER MODELS				
All	All with Red Dot A/C	Fan Switch (5 terminal, lever)	4379-RD5-4694-0, 4379-RD5-4694-1	2199008
All	All with Red Dot A/C	Fan Switch (5 terminal, rocker)	4379-RD4151-2	2199023
All	All with Kysor A/C	Fan Switch (5 terminal, knob)	7979-220635	2199027
All	All with Red Dot A/C	Fan Switch (4 terminals, rocker)	4379-RD5-0071-0	2199104
CH				
2000-2008	CH, CHN	Fan Switch, 40 amps, 5 speed, 5 terminals	4379-RD5-10587-0, 7787-650882	2115004
DM				
1990-1996	DM	Fan Switch (5 terminal, lever)	4379-RD5-4694-1	2199008
GRANITE — CT SERIES				
2002-2008	Granite	Fan Switch, 40 amps, 5 speed, 5 terminals	4379-RD5-10587-0, 7787-650882	2115004
GRANITE — CV SERIES				
2002-2008	Granite	Fan Switch, 40 amps, 5 speed, 5 terminals	4379-RD5-10587-0, 7787-650882	2115004
GRANITE — GU SERIES				
2002-2008	Granite	Fan Switch, 40 amps, 5 speed, 5 terminals	4379-RD5-10587-0, 7787-650882	2115004
MAGIRUS				
1990-1993	Magirus	Kysor A/C, Fan Sw (12V), (Resistor Type)	7979-220300	2199010
1990-1993	Magirus	Kysor A/C, Fan Sw (12V), (Non-Resistor Type)	3230-221-519	2199027
MIDLINER				
1990-1993	Midliner	Kysor A/C, Fan Sw (12V), (Resistor Type)	7979-220300	2199010
1990-1993	Midliner	Kysor A/C, Fan Sw (12V), (Non-Resistor Type)	3230-221-519	2199027
MS (REFUSE)				
1990-1993	MS	All blower fan switch Kysor unit without resistor	4379-RD54694-1	2199008
1990-1993	MS	Kysor A/C, Fan Sw (12V), (Resistor Type)	7979-220300	2199010
1990-1993	MS	All blower fan switch Kysor unit resistor	BA1145	2199010
1990-1993	MS	Kysor A/C, Fan Sw (12V), (Non-Resistor Type)	3230-221-519	2199027
1990-1993	MS	All Models blower fan switch 24 volt	BA1395	2175002
R				
1990-1996	R	Fan Switch (5 terminal, lever)	4379-RD5-4694-1	2199008
VISION				
2002-2008	Vision	Fan Switch, 40 amps, 5 speed, 5 terminals	4379-RD5-10587-0, 7787-650882	2115004

SWITCHES - PRESSURE

YEAR	MODEL	DESCRIPTION	OEM NO.	KYSOR NO.
ALL OTHER MODELS				
1990-2000	All Models with Kysor A/C	High Pressure – Normally Closed, 300/200 psi 1/4" SAE	7979-404141	2275013

Mack

SWITCHES - PRESSURE

YEAR	MODEL	DESCRIPTION	OEM NO.	KYSOR NO.
1990-2000	All with Red Dot A/C	Fan Override – Trinary™ Normally Open, Female 1/4"	4379-RD5-4583-0	2299109
1990-2000	All with Red Dot A/C	Fan Override – Trinary™ Normally Open, Male 3/8-24"	4379-RD5-4585-0	2299109
1995-2001	All with Red Dot A/C	Low Pressure – Normally Open, 2 Spade (Drier Mount)	4379-RD4191	2299005
1995-2001	All Models	High Pressure – Normally Closed, 260/210 psi M10 Thread	1MR2464M	2299020
CH				
1990-2005	CH	Compressor Clutch Micro Switch	V7-1C27E9-283 without E 4379-RD553080	2199003
1990-1994	CH	Fan Override – Trinary™ Normally Open, Female 1/4"	4379-RD5-5977-0	2299109
1990-2000	All with Red Dot A/C	Fan Override – Trinary™ Normally Open, Male 3/8-24"	4379-RD5-4585-0	2299109
1995-2001	All Models	High Pressure – Normally Closed, 260/210 psi M10 Thread	1MR2464M	2299020
1990-2001	All Models	Binary Switch – Normally Closed, 2 Spade	4379-RD5-597	2299033
CH PINNACLE				
1990-2000	All with Red Dot A/C	Fan Override – Trinary™ Normally Open, Male 3/8-24"	4379-RD5-4585-0	2299109
1995-2001	All Models	High Pressure – Normally Closed, 260/210 psi M10 Thread	1MR2464M	2299020
1990-2001	All Models	Binary Switch – Normally Closed, 2 Spade	4379-RD5-597	2299033
CL				
1990-2005	CL	Compressor Clutch Micro Switch	V7-1C27E9-283 without E 4379-RD553080	2199003
1990-2000	All with Red Dot A/C	Fan Override – Trinary™ Normally Open, Male 3/8-24"	4379-RD5-4585-0	2299109
1995-2001	All Models	High Pressure – Normally Closed, 260/210 psi M10 Thread	1MR2464M	2299020
1990-2001	All Models	Binary Switch – Normally Closed, 2 Spade	4379-RD5-597	2299033
CM				
1990-2005	CM	Compressor Clutch Micro Switch	V7-1C27E9-283 without E 4379-RD553080	2199003
1990-1994	CM Conventional	Fan Override – Trinary™ Normally Open, Female 1/4"	4379-RD5-5977-0	2299109
1990-2000	All with Red Dot A/C	Fan Override – Trinary™ Normally Open, Male 3/8-24"	4379-RD5-4585-0	2299109
1995-2001	All Models	High Pressure – Normally Closed, 260/210 psi M10 Thread	1MR2464M	2299020
1990-2001	All Models	Binary Switch – Normally Closed, 2 Spade	4379-RD5-597	2299033
CS				
1990-2005	CS	Compressor Clutch Micro Switch	V7-1C27E9-283 without E 4379-RD553080	2199003
1990-1993	CS	High Pressure – Normally Closed, 300/200 psi 1/4" SAE	7979-404141	2275013
1990-2000	All with Red Dot A/C	Fan Override – Trinary™ Normally Open, Male 3/8-24"	4379-RD5-4585-0	2299109
1995-2001	All Models	High Pressure – Normally Closed, 260/210 psi M10 Thread	1MR2464M	2299020
1990-2001	All Models	Binary Switch – Normally Closed, 2 Spade	4379-RD5-597	2299033

SWITCHES - THERMOSTATIC

YEAR	MODEL	DESCRIPTION	OEM NO.	KYSOR NO.
ALL OTHER MODELS				
All	All Models with Signet A/C	All preset type	3230-221-703, 3230-221-707	2399005
CH				
1989-2014	All Models	Preset Type 21" Capillary Tube, (IN 39° / OUT 33°)	4379-RD4427-24	2399005
All	All Models	Knob Operated 48" Capillary Tube (IN 34° / OUT 26°)	7979-40408	2399019
All	All Models	Knob Operated 48" Capillary Tube (IN 34° / OUT 26°)	7979-404082	2399018
CH PINNACLE				
1989-2014	All Models	Preset Type 21" Capillary Tube, (IN 39° / OUT 33°)	4379-RD4427-24	2399005
All	All Models	Knob Operated 48" Capillary Tube (IN 34° / OUT 26°)	7979-40408	2399019
All	All Models	Knob Operated 48" Capillary Tube (IN 34° / OUT 26°)	7979-404082	2399018
CL				
1989-2014	All Models	Preset Type 21" Capillary Tube, (IN 39° / OUT 33°)	4379-RD4427-24	2399005
All	All Models	Knob Operated 48" Capillary Tube (IN 34° / OUT 26°)	7979-404082	2399018
All	All Models	Knob Operated 48" Capillary Tube (IN 34° / OUT 26°)	7979-40408	2399019
CM				
1989-2014	All Models	Preset Type 21" Capillary Tube, (IN 39° / OUT 33°)	4379-RD4427-24	2399005
All	All Models	Knob Operated 48" Capillary Tube (IN 34° / OUT 26°)	7979-40408	2399019
All	All Models	Knob Operated 48" Capillary Tube (IN 34° / OUT 26°)	7979-404082	2399018
CS				
1989-2014	All Models	Preset Type 21" Capillary Tube, (IN 39° / OUT 33°)	4379-RD4427-24	2399005
All	All Models	Knob Operated 48" Capillary Tube (IN 34° / OUT 26°)	7979-40408	2399019
All	All Models	Knob Operated 48" Capillary Tube (IN 34° / OUT 26°)	7979-404082	2399018
CX				
1999-2009	CX	All Main Unit preset type	4379-RD4427-24, 7787-650163	2399005
DM				
1990-2000	DM, DMM	All Models preset type	4379-RD4427-24	2399005
GRANITE				
2002-2009	GRANITE	All Models preset type	4379-RD4427-24, 7787-650163	2399005
RB				
1990-2000	RB	All Models preset type	4379-RD4427-24	2399005
RD				
1990-2000	RD	All Models preset type	4379-RD4427-24	2399005

Mack**SWITCHES - THERMOSTATIC**

YEAR	MODEL	DESCRIPTION	OEM NO.	KYSOR NO.
VISION				
1999-2009	Vision	All Main Unit preset type	4379-RD4427-24, 7787-650163	2399005

SWITCHES - TOGGLE

YEAR	MODEL	DESCRIPTION	OEM NO.	KYSOR NO.
ALL OTHER MODELS				
All	All with Kysor A/C	Fan Switch (6 terminal, toggle)	7979-221189	2199006

AIR FILTERS

YEAR	MODEL	DESCRIPTION	OEM NO.	KYSOR NO.
387				
2002-2009	387	with Filter (10" x 14" x 3/4")	525507BSM, KE0301P	3114001
ALL OTHER MODELS				
2002-2014	320	with Filter (8" X 19-1/4")	1000201343, 525765BSM	3199034
2008-2012	All Models	with Filter (8-3/4" x 12-5/8" x 5/8")	5X013817, 5S014010	3117002
All	All Models	with Filter (10-1/2" x 7-1/2" x 3/4")	23-15619	3117001
2002-2009	387	with Filter (10" x 14" x 3/4")	525507BSM, KE0301P	3114001
All	All Models	with Filter (10-1/2" x 7-1/2" x 3/4")	23-15619	3117001
2008-2014	All Models	with Filter (8-3/4" x 12-5/8" x 5/8")	5X013817, 5S014010	3117002
2013-2014	All Models	with Filter (10" x 13-3/4" x 1")	525838BSM, 3199021	3199021

BLOWER MOTORS

YEAR	MODEL	DESCRIPTION	OEM NO.	KYSOR NO.
320				
1995-2014	320	All with Bergstrom heater only	203080BSM, HB1050, HB1610, PV26122Q, RD5-6801-0	1099026
1995-2014	320	All with Bergstrom heater only	203080BSM, HB1050, HB1610, PV26122Q, RD5-6801-0	1099020
325				
2012	All Models	with Signet A/C (Main and Sleeper)	3X010983, 5X012163, 203361, P93CAB4000-01S	1017006
330				
1995-2004	All Models	CCW, 16.6 amps, 2 wires, 12V	3972, 3X010983, HA0983, 2809-550-080, 5X012163, 3X010983	1017004
2012	All Models	with Signet A/C (Main and Sleeper)	3X010983, 5X012163, 203361, P93CAB4000-01S	1017006
1995-2004	330	with Signet A/C (CW) motor only	2809-540-036, 203239BSM	1019001
335				
2012	All Models	with Signet A/C (Main and Sleeper)	3X010983, 5X012163, 203361, P93CAB4000-01S	1017006
340				
2012	All Models	with Signet A/C (Main and Sleeper)	3X010983, 5X012163, 203361, P93CAB4000-01S	1017006
357				
1994-2002	All Models	with Signet A/C (CW) motor only	2809-540-036, 203239BSM, P93CAA0300-01S	1017004
2012	All Models	with Signet A/C (Main and Sleeper)	3X010983, 5X012163, 203361, P93CAB4000-01S	1017006
1990-1994	All Models	with Red Dot A/C (Single Shaft)	RD5-6526-0, HA1070	1099012
1997-2001	All Models	All with Bergstrom Main A/C unit	203133BSM	1099022
3/1998-2012	All Models except 387,587	with Signet A/C (Main and Sleeper)	3X010983, 5X012163, 203361, P93CAB4000-01S	1017006
1994-2002	All Models (exc 387)	with Signet A/C (CW) motor only	2809-540-036, 203239BSM, P93CAA0300-01S	1019001

Peterbilt

BLOWER MOTORS

YEAR	MODEL	DESCRIPTION	OEM NO.	KYSOR NO.
1988-1994	All Models	with Red Dot A/C (Single Shaft)	RD5-6526-0, HA1070	1099012
2005-2012	All Models	with Blower Motor Blower Wheel use #3775	3X010983, HA0983, P93CAB4000-01S, 203361	1017006
365				
1994-2002	All Models	with Signet A/C (CW) motor only	2809-540-036, 203239BSM, P93CAA0300-01S	1017004
2012	All Models	with Signet A/C (Main and Sleeper)	3X010983, 5X012163, 203361, P93CAB4000-01S	1017006
1990-1994	All Models	with Red Dot A/C (Single Shaft)	RD5-6526-0, HA1070	1099012
1997-2001	All Models	All with Bergstrom Main A/C unit	203133BSM	1099022
3/1998-2012	All Models except 387,587	with Signet A/C (Main and Sleeper)	3X010983, 5X012163, 203361, P93CAB4000-01S	1017006
1994-2002	All Models (exc 387)	with Signet A/C (CW) motor only	2809-540-036, 203239BSM, P93CAA0300-01S	1019001
1988-1994	All Models	with Red Dot A/C (Single Shaft)	RD5-6526-0, HA1070	1099012
2005-2012	All Models	with Blower Motor Blower Wheel use #3775	3X010983, HA0983, P93CAB4000-01S, 203361	1017006
367				
1994-2002	All Models	with Signet A/C (CW) motor only	2809-540-036, 203239BSM, P93CAA0300-01S	1017004
2012	All Models	with Signet A/C (Main and Sleeper)	3X010983, 5X012163, 203361, P93CAB4000-01S	1017006
1990-1994	All Models	with Red Dot A/C (Single Shaft)	RD5-6526-0, HA1070	1099012
1997-2001	All Models	All with Bergstrom Main A/C unit	203133BSM	1099022
3/1998-2012	All Models except 387,587	with Signet A/C (Main and Sleeper)	3X010983, 5X012163, 203361, P93CAB4000-01S	1017006
1994-2002	All Models (exc 387)	with Signet A/C (CW) motor only	2809-540-036, 203239BSM, P93CAA0300-01S	1019001
1988-1994	All Models	with Red Dot A/C (Single Shaft)	RD5-6526-0, HA1070	1099012
2005-2012	All Models	with Blower Motor Blower Wheel use #3775	3X010983, HA0983, P93CAB4000-01S, 203361	1017006
375				
1994-2002	All Models	with Signet A/C (CW) motor only	2809-540-036, 203239BSM, P93CAA0300-01S	1017004
2012	All Models	with Signet A/C (Main and Sleeper)	3X010983, 5X012163, 203361, P93CAB4000-01S	1017006
1990-1994	All Models	with Red Dot A/C (Single Shaft)	RD5-6526-0, HA1070	1099012
1997-2001	All Models	All with Bergstrom Main A/C unit	203133BSM	1099022
3/1998-2012	All Models except 387,587	with Signet A/C (Main and Sleeper)	3X010983, 5X012163, 203361, P93CAB4000-01S	1017006
1994-2002	All Models (exc 387)	with Signet A/C (CW) motor only	2809-540-036, 203239BSM, P93CAA0300-01S	1019001
1988-1994	All Models	with Red Dot A/C (Single Shaft)	RD5-6526-0, HA1070	1099012
2005-2012	All Models	with Blower Motor Blower Wheel use #3775	3X010983, HA0983, P93CAB4000-01S, 203361	1017006
377				
1994-2002	All Models	with Signet A/C (CW) motor only	2809-540-036, 203239BSM, P93CAA0300-01S	1017004
2012	All Models	with Signet A/C (Main and Sleeper)	3X010983, 5X012163, 203361, P93CAB4000-01S	1017006
1990-1994	All Models	with Red Dot A/C (Single Shaft)	RD5-6526-0, HA1070	1099012

BLOWER MOTORS

YEAR	MODEL	DESCRIPTION	OEM NO.	KYSOR NO.
1997-2001	All Models	All with Bergstrom Main A/C unit	203133BSM	1099022
3/1998-2012	All Models except 387,587	with Signet A/C (Main and Sleeper)	3X010983, 5X012163, 203361, P93CAB4000-01S	1017006
1994-2002	All Models (exc 387)	with Signet A/C (CW) motor only	2809-540-036, 203239BSM, P93CAA0300-01S	1019001
1988-1994	All Models	with Red Dot A/C (Single Shaft)	RD5-6526-0, HA1070	1099012
2005-2012	All Models	with Blower Motor Blower Wheel use #3775	3X010983, HA0983, P93CAB4000-01S, 203361	1017006
378				
1994-2002	All Models	with Signet A/C (CW) motor only	2809-540-036, 203239BSM, P93CAA0300-01S	1017004
2012	All Models	with Signet A/C (Main and Sleeper)	3X010983, 5X012163, 203361, P93CAB4000-01S	1017006
1990-1994	All Models	with Red Dot A/C (Single Shaft)	RD5-6526-0, HA1070	1099012
1997-2001	All Models	All with Bergstrom Main A/C unit	203133BSM	1099022
3/1998-2012	All Models except 387,587	with Signet A/C (Main and Sleeper)	3X010983, 5X012163, 203361, P93CAB4000-01S	1017006
1994-2002	All Models (exc 387)	with Signet A/C (CW) motor only	2809-540-036, 203239BSM, P93CAA0300-01S	1019001
1988-1994	All Models	with Red Dot A/C (Single Shaft)	RD5-6526-0, HA1070	1099012
2005-2012	All Models	with Blower Motor Blower Wheel use #3775	3X010983, HA0983, P93CAB4000-01S, 203361	1017006
379				
1994-2002	All Models	with Signet A/C (CW) motor only	2809-540-036, 203239BSM, P93CAA0300-01S	1017004
2012	All Models	with Signet A/C (Main and Sleeper)	3X010983, 5X012163, 203361, P93CAB4000-01S	1017006
1990-1994	All Models	with Red Dot A/C (Single Shaft)	RD5-6526-0, HA1070	1099012
1997-2001	All Models	All with Bergstrom Main A/C unit	203133BSM	1099022
3/1998-2012	All Models except 387,587	with Signet A/C (Main and Sleeper)	3X010983, 5X012163, 203361, P93CAB4000-01S	1017006
1994-2002	All Models (exc 387)	with Signet A/C (CW) motor only	2809-540-036, 203239BSM, P93CAA0300-01S	1019001
1988-1994	All Models	with Red Dot A/C (Single Shaft)	RD5-6526-0, HA1070	1099012
2005-2012	All Models	with Blower Motor Blower Wheel use #3775	3X010983, HA0983, P93CAB4000-01S, 203361	1017006
382				
1994-2002	All Models	with Signet A/C (CW) motor only	2809-540-036, 203239BSM, P93CAA0300-01S	1017004
2012	All Models	with Signet A/C (Main and Sleeper)	3X010983, 5X012163, 203361, P93CAB4000-01S	1017006
1990-1994	All Models	with Red Dot A/C (Single Shaft)	RD5-6526-0, HA1070	1099012
1997-2001	All Models	All with Bergstrom Main A/C unit	203133BSM	1099022
3/1998-2012	All Models except 387,587	with Signet A/C (Main and Sleeper)	3X010983, 5X012163, 203361, P93CAB4000-01S	1017006
1994-2002	All Models (exc 387)	with Signet A/C (CW) motor only	2809-540-036, 203239BSM, P93CAA0300-01S	1019001
1988-1994	All Models	with Red Dot A/C (Single Shaft)	RD5-6526-0, HA1070	1099012
2005-2012	All Models	with Blower Motor Blower Wheel use #3775	3X010983, HA0983, P93CAB4000-01S, 203361	1017006

Peterbilt

BLOWER MOTORS

YEAR	MODEL	DESCRIPTION	OEM NO.	KYSOR NO.
384				
2012	All Models	with Signet A/C (Main and Sleeper)	3X010983, 5X012163, 203361, P93CAB4000-01S	1017006
1990-1994	All Models	with Red Dot A/C (Single Shaft)	RD5-6526-0, HA1070	1099012
1997-2001	All Models	All with Bergstrom Main A/C unit	203133BSM	1099022
3/1998-2012	All Models except 387,587	with Signet A/C (Main and Sleeper)	3X010983, 5X012163, 203361, P93CAB4000-01S	1017006
1994-2002	All Models (exc 387)	with Signet A/C (CW) motor only	2809-540-036, 203239BSM, P93CAA0300-01S	1019001
1988-1994	All Models	with Red Dot A/C (Single Shaft)	RD5-6526-0, HA1070	1099012
2005-2012	All Models	with Blower Motor Blower Wheel use #3775	3X010983, HA0983, P93CAB4000-01S, 203361	1017006
385				
1994-2002	All Models	with Signet A/C (CW) motor only	2809-540-036, 203239BSM, P93CAA0300-01S	1017004
2012	All Models	with Signet A/C (Main and Sleeper)	3X010983, 5X012163, 203361, P93CAB4000-01S	1017006
1990-1994	All Models	with Red Dot A/C (Single Shaft)	RD5-6526-0, HA1070	1099012
1997-2001	All Models	All with Bergstrom Main A/C unit	203133BSM	1099022
3/1998-2012	All Models except 387,587	with Signet A/C (Main and Sleeper)	3X010983, 5X012163, 203361, P93CAB4000-01S	1017006
1994-2002	All Models (exc 387)	with Signet A/C (CW) motor only	2809-540-036, 203239BSM, P93CAA0300-01S	1019001
1988-1994	All Models	with Red Dot A/C (Single Shaft)	RD5-6526-0, HA1070	1099012
2005-2012	All Models	with Blower Motor Blower Wheel use #3775	3X010983, HA0983, P93CAB4000-01S, 203361	1017006
386				
1994-2002	All Models	with Signet A/C (CW) motor only	2809-540-036, 203239BSM, P93CAA0300-01S	1017004
2012	All Models	with Signet A/C (Main and Sleeper)	3X010983, 5X012163, 203361, P93CAB4000-01S	1017006
1990-1994	All Models	with Red Dot A/C (Single Shaft)	RD5-6526-0, HA1070	1099012
1997-2001	All Models	All with Bergstrom Main A/C unit	203133BSM	1099022
3/1998-2012	All Models except 387,587	with Signet A/C (Main and Sleeper)	3X010983, 5X012163, 203361, P93CAB4000-01S	1017006
1994-2002	All Models (exc 387)	with Signet A/C (CW) motor only	2809-540-036, 203239BSM, P93CAA0300-01S	1019001
1988-1994	All Models	with Red Dot A/C (Single Shaft)	RD5-6526-0, HA1070	1099012
2005-2012	All Models	with Blower Motor Blower Wheel use #3775	3X010983, HA0983, P93CAB4000-01S, 203361	1017006
387				
1990-1994	All Models	with Red Dot A/C (Single Shaft)	RD5-6526-0, HA1070	1099012
1997-2001	All Models	All with Bergstrom Main A/C unit	203133BSM	1099022
1996-2014	387	All (sleeper) with Bergstrom (CW)	203139BSM	1099092
2000-2014	387	All (main cab) with Bergstrom A/C	871218BSM, 203364BSM, 203142BSM	1099094
1996-2014	387	All (sleeper) with Bergstrom (CW)	203139BSM	1099070
1988-1994	All Models	with Red Dot A/C (Single Shaft)	RD5-6526-0, HA1070	1099012
2005-2012	All Models	with Blower Motor Blower Wheel use #3775	3X010983, HA0983, P93CAB4000-01S, 203361	1017006

BLOWER MOTORS

YEAR	MODEL	DESCRIPTION	OEM NO.	KYSOR NO.
388				
1994-2002	All Models	with Signet A/C (CW) motor only	2809-540-036, 203239BSM, P93CAA0300-01S	1017004
2012	All Models	with Signet A/C (Main and Sleeper)	3X010983, 5X012163, 203361, P93CAB4000-01S	1017006
1990-1994	All Models	with Red Dot A/C (Single Shaft)	RD5-6526-0, HA1070	1099012
1997-2001	All Models	All with Bergstrom Main A/C unit	203133BSM	1099022
3/1998-2012	All Models except 387,587	with Signet A/C (Main and Sleeper)	3X010983, 5X012163, 203361, P93CAB4000-01S	1017006
1994-2002	All Models (exc 387)	with Signet A/C (CW) motor only	2809-540-036, 203239BSM, P93CAA0300-01S	1019001
1988-1994	All Models	with Red Dot A/C (Single Shaft)	RD5-6526-0, HA1070	1099012
2005-2012	All Models	with Blower Motor Blower Wheel use #3775	3X010983, HA0983, P93CAB4000-01S, 203361	1017006
389				
1994-2002	All Models	with Signet A/C (CW) motor only	2809-540-036, 203239BSM, P93CAA0300-01S	1017004
2012	All Models	with Signet A/C (Main and Sleeper)	3X010983, 5X012163, 203361, P93CAB4000-01S	1017006
1990-1994	All Models	with Red Dot A/C (Single Shaft)	RD5-6526-0, HA1070	1099012
1997-2001	All Models	All with Bergstrom Main A/C unit	203133BSM	1099022
3/1998-2012	All Models except 387,587	with Signet A/C (Main and Sleeper)	3X010983, 5X012163, 203361, P93CAB4000-01S	1017006
1994-2002	All Models (exc 387)	with Signet A/C (CW) motor only	2809-540-036, 203239BSM, P93CAA0300-01S	1019001
1988-1994	All Models	with Red Dot A/C (Single Shaft)	RD5-6526-0, HA1070	1099012
2005-2012	All Models	with Blower Motor Blower Wheel use #3775	3X010983, HA0983, P93CAB4000-01S, 203361	1017006
587				
1994-2002	All Models	with Signet A/C (CW) motor only	2809-540-036, 203239BSM, P93CAA0300-01S	1017004
1990-1994	All Models	with Red Dot A/C (Single Shaft)	RD5-6526-0, HA1070	1099012
1997-2001	All Models	All with Bergstrom Main A/C unit	203133BSM	1099022
1996-2014	587	All (sleeper) with Bergstrom (CW)	203139BSM	1099092
2000-2014	587	All (main cab) with Bergstrom A/C	871218BSM, 203364BSM, 203142BSM	1099094
1996-2014	587	All (sleeper) with Bergstrom (CW)	203139BSM	1099070
1994-2002	All Models (exc 387)	with Signet A/C (CW) motor only	2809-540-036, 203239BSM, P93CAA0300-01S	1019001
1988-1994	All Models	with Red Dot A/C (Single Shaft)	RD5-6526-0, HA1070	1099012
2005-2012	All Models	with Blower Motor Blower Wheel use #3775	3X010983, HA0983, P93CAB4000-01S, 203361	1017006
13-200				
1990-1995	13-200 Mid-Ranger	All with Double Shaft	275102, HA1710, RD5-4614-0	1099015
1991-1995	13-200 Mid-Ranger	with Red Dot A/C (Double Shaft)	RD5-5121-0, HB1070	1099021
1988-1995	13-200 Mid-Ranger	All with Double Shaft	275102, HA1710, RD5-4614-0	1099015

Peterbilt

BLOWER MOTORS

YEAR	MODEL	DESCRIPTION	OEM NO.	KYSOR NO.
CAB OVER ENGINE 362				
1982-2003	362	All Models with Red Dot A/C (double shaft)	205840BSM, 2807-551-001, HB1085, RD5-5049-0	1099025
1982-1986	362	Bunk Motor (Requires cutting wire harness and re-splicing O.E. motor wire onto replacement motor)	275141, HA1155	1099011
1976-1986	All Models	All with Kysor Roof Unit	275130	1099013
CAB OVER ENGINE 372				
1982-2003	372	All Models with Red Dot A/C (double shaft)	205840BSM, 2807-551-001, HB1085, RD5-5049-0	1099025
1991-1994	372	All Bergstrom Main A/C Units	HB1625	1099026
1976-1986	All Models	All with Kysor Roof Unit	275130	1099013
CONVENTIONAL (CLASS 8 - HIGHWAY AND VOCATIONAL)				
1994-2002	All Models	with Signet A/C (CW) motor only	2809-540-036, 203239BSM, P93CAA0300-01S	1017004
2012	All Models	with Signet A/C (Main and Sleeper)	3X010983, 5X012163, 203361, P93CAB4000-01S	1017006
1990-1994	All Models	with Red Dot A/C (Single Shaft)	RD5-6526-0, HA1070	1099012
1997-2001	All Models	All with Bergstrom Main A/C unit	203133BSM	1099022
3/1998-2012	All Models except 387,587	with Signet A/C (Main and Sleeper)	3X010983, 5X012163, 203361, P93CAB4000-01S	1017006
1994-2002	All Models (exc 387)	with Signet A/C (CW) motor only	2809-540-036, 203239BSM, P93CAA0300-01S	1019001
1988-1994	All Models	with Red Dot A/C (Single Shaft)	RD5-6526-0, HA1070	1099012
2005-2012	All Models	with Blower Motor Blower Wheel use #3775	3X010983, HA0983, P93CAB4000-01S, 203361	1017006
CONVENTIONAL (MEDIUM DUTY, CLASS 5, 6,7)				
2012	All Models	with Signet A/C (Main and Sleeper)	3X010983, 5X012163, 203361, P93CAB4000-01S	1017006

BLOWER WHEELS

YEAR	MODEL	DESCRIPTION	OEM NO.	KYSOR NO.
310				
1990-2014	All Models	with 4-1/2" Diameter Plastic, Blower Wheel	589540	1199007
1990-1997	310	with Red Dot A/C, 5-3/16" Diameter Aluminum	RD3106-15, HC1285, BSM302081	1199008
1986-2014	All Models	with 4-1/2" Diameter Plastic, Blower Wheel	589540	1199007
1996-2003	All Models	with 4-3/8" Diameter Plastic, Blower Wheel	BSM302042, HC1050	1199035
1987-1997	310	with Red Dot A/C 5-3/16" Diameter Aluminum	RD3106-15, HC1285, BSM302081	1115001
320				
1990-2014	All Models	with 4-1/2" Diameter Plastic, Blower Wheel	589540	1199007
1986-2014	All Models	with 4-1/2" Diameter Plastic, Blower Wheel	589540	1199007
1996-2003	All Models	with 4-3/8" Diameter Plastic, Blower Wheel	BSM302042, HC1050	1199035
325				
2005-2014	All Models	with 5-3/4" Diameter CW, Blower Wheel	P93CAB0400-01S, HC0400-01S, HC1625	1117003

BLOWER WHEELS

YEAR	MODEL	DESCRIPTION	OEM NO.	KYSOR NO.
330				
2005-2014	All Models	with 5-3/4" Diameter CW, Blower Wheel	P93CAB0400-01S, HC0400-01S, HC1625	1117003
335				
2005-2014	All Models	with 5-3/4" Diameter CW, Blower Wheel	P93CAB0400-01S, HC0400-01S, HC1625	1117003
340				
2005-2014	All Models	with 5-3/4" Diameter CW, Blower Wheel	P93CAB0400-01S, HC0400-01S, HC1625	1117003
357				
1995-2011	All Models	with 5-3/4" Diameter CW, Blower Wheel	P93CAB0400-01S, HC0400-01S, HC1625	1117003
1990-1994	All Models	All with Red Dot Sleeper Unit	RD1010120	1199003
2000-2014	All Models	with 5-1/2" Diameter CW, Plastic Blower Wheel	563500, HC1005	1199006
1987-1994	All Models	All with Red Dot Sleeper Unit	RD1-01012-0	1199003
1978-1986	All Models	All with Kysor A/C	HF1530	1117002
1987-1997	All Models	with Red Dot A/C	RD3106-15, HC1285, BSM302081	1115001
365				
1995-2011	All Models	with 5-3/4" Diameter CW, Blower Wheel	P93CAB0400-01S, HC0400-01S, HC1625	1117003
1990-1994	All Models	All with Red Dot Sleeper Unit	RD1010120	1199003
2000-2014	All Models	with 5-1/2" Diameter CW, Plastic Blower Wheel	563500, HC1005	1199006
1987-1994	All Models	All with Red Dot Sleeper Unit	RD1-01012-0	1199003
1978-1986	All Models	All with Kysor A/C	HF1530	1117002
1987-1997	All Models	with Red Dot A/C	RD3106-15, HC1285, BSM302081	1115001
367				
1995-2011	All Models	with 5-3/4" Diameter CW, Blower Wheel	P93CAB0400-01S, HC0400-01S, HC1625	1117003
1990-1994	All Models	All with Red Dot Sleeper Unit	RD1010120	1199003
2000-2014	All Models	with 5-1/2" Diameter CW, Plastic Blower Wheel	563500, HC1005	1199006
1987-1994	All Models	All with Red Dot Sleeper Unit	RD1-01012-0	1199003
1978-1986	All Models	All with Kysor A/C	HF1530	1117002
1987-1997	All Models	with Red Dot A/C	RD3106-15, HC1285, BSM302081	1115001
375				
1995-2011	All Models	with 5-3/4" Diameter CW, Blower Wheel	P93CAB0400-01S, HC0400-01S, HC1625	1117003
1990-1994	All Models	All with Red Dot Sleeper Unit	RD1010120	1199003
2000-2014	All Models	with 5-1/2" Diameter CW, Plastic Blower Wheel	563500, HC1005	1199006
1987-1994	All Models	All with Red Dot Sleeper Unit	RD1-01012-0	1199003
1978-1986	All Models	All with Kysor A/C	HF1530	1117002
1987-1997	All Models	with Red Dot A/C	RD3106-15, HC1285, BSM302081	1115001

Peterbilt

BLOWER WHEELS

YEAR	MODEL	DESCRIPTION	OEM NO.	KYSOR NO.
377				
1995-2011	All Models	with 5-3/4" Diameter CW, Blower Wheel	P93CAB0400-01S, HC0400-01S, HC1625	1117003
1990-1994	All Models	All with Red Dot Sleeper Unit	RD1010120	1199003
2000-2014	All Models	with 5-1/2" Diameter CW, Plastic Blower Wheel	563500, HC1005	1199006
1987-1994	All Models	All with Red Dot Sleeper Unit	RD1-01012-0	1199003
1978-1986	All Models	All with Kysor A/C	HF1530	1117002
1987-1997	All Models	with Red Dot A/C	RD3106-15, HC1285, BSM302081	1115001
378				
1995-2011	All Models	with 5-3/4" Diameter CW, Blower Wheel	P93CAB0400-01S, HC0400-01S, HC1625	1117003
1990-1994	All Models	All with Red Dot Sleeper Unit	RD1010120	1199003
2000-2014	All Models	with 5-1/2" Diameter CW, Plastic Blower Wheel	563500, HC1005	1199006
1987-1994	All Models	All with Red Dot Sleeper Unit	RD1-01012-0	1199003
1978-1986	All Models	All with Kysor A/C	HF1530	1117002
1987-1997	All Models	with Red Dot A/C	RD3106-15, HC1285, BSM302081	1115001
379				
1995-2011	All Models	with 5-3/4" Diameter CW, Blower Wheel	P93CAB0400-01S, HC0400-01S, HC1625	1117003
1990-1994	All Models	All with Red Dot Sleeper Unit	RD1010120	1199003
2000-2014	All Models	with 5-1/2" Diameter CW, Plastic Blower Wheel	563500, HC1005	1199006
1987-1994	All Models	All with Red Dot Sleeper Unit	RD1-01012-0	1199003
1978-1986	All Models	All with Kysor A/C	HF1530	1117002
1987-1997	All Models	with Red Dot A/C	RD3106-15, HC1285, BSM302081	1115001
382				
1995-2011	All Models	with 5-3/4" Diameter CW, Blower Wheel	P93CAB0400-01S, HC0400-01S, HC1625	1117003
1990-1994	All Models	All with Red Dot Sleeper Unit	RD1010120	1199003
2000-2014	All Models	with 5-1/2" Diameter CW, Plastic Blower Wheel	563500, HC1005	1199006
1987-1994	All Models	All with Red Dot Sleeper Unit	RD1-01012-0	1199003
1978-1986	All Models	All with Kysor A/C	HF1530	1117002
1987-1997	All Models	with Red Dot A/C	RD3106-15, HC1285, BSM302081	1115001
384				
1995-2011	All Models	with 5-3/4" Diameter CW, Blower Wheel	P93CAB0400-01S, HC0400-01S, HC1625	1117003
1990-1994	All Models	All with Red Dot Sleeper Unit	RD1010120	1199003
2000-2014	All Models	with 5-1/2" Diameter CW, Plastic Blower Wheel	563500, HC1005	1199006
1987-1994	All Models	All with Red Dot Sleeper Unit	RD1-01012-0	1199003
1978-1986	All Models	All with Kysor A/C	HF1530	1117002

BLOWER WHEELS

YEAR	MODEL	DESCRIPTION	OEM NO.	KYSOR NO.
1987-1997	All Models	with Red Dot A/C	RD3106-15, HC1285, BSM302081	1115001
385				
1995-2011	All Models	with 5-3/4" Diameter CW, Blower Wheel	P93CAB0400-01S, HC0400-01S, HC1625	1117003
1990-1994	All Models	All with Red Dot Sleeper Unit	RD1010120	1199003
2000-2014	All Models	with 5-1/2" Diameter CW, Plastic Blower Wheel	563500, HC1005	1199006
1987-1994	All Models	All with Red Dot Sleeper Unit	RD1-01012-0	1199003
1978-1986	All Models	All with Kysor A/C	HF1530	1117002
1987-1997	All Models	with Red Dot A/C	RD3106-15, HC1285, BSM302081	1115001
386				
1995-2011	All Models	with 5-3/4" Diameter CW, Blower Wheel	P93CAB0400-01S, HC0400-01S, HC1625	1117003
1990-1994	All Models	All with Red Dot Sleeper Unit	RD1010120	1199003
2000-2014	All Models	with 5-1/2" Diameter CW, Plastic Blower Wheel	563500, HC1005	1199006
1987-1994	All Models	All with Red Dot Sleeper Unit	RD1-01012-0	1199003
1978-1986	All Models	All with Kysor A/C	HF1530	1117002
1987-1997	All Models	with Red Dot A/C	RD3106-15, HC1285, BSM302081	1115001
387				
1990-1994	All Models	All with Red Dot Sleeper Unit	RD1010120	1199003
1987-1994	All Models	All with Red Dot Sleeper Unit	RD1-01012-0	1199003
1978-1986	All Models	All with Kysor A/C	HF1530	1117002
1987-1997	All Models	with Red Dot A/C	RD3106-15, HC1285, BSM302081	1115001
388				
1995-2011	All Models	with 5-3/4" Diameter CW, Blower Wheel	P93CAB0400-01S, HC0400-01S, HC1625	1117003
1990-1994	All Models	All with Red Dot Sleeper Unit	RD1010120	1199003
2000-2014	All Models	with 5-1/2" Diameter CW, Plastic Blower Wheel	563500, HC1005	1199006
1987-1994	All Models	All with Red Dot Sleeper Unit	RD1-01012-0	1199003
1978-1986	All Models	All with Kysor A/C	HF1530	1117002
1987-1997	All Models	with Red Dot A/C	RD3106-15, HC1285, BSM302081	1115001
389				
1995-2011	All Models	with 5-3/4" Diameter CW, Blower Wheel	P93CAB0400-01S, HC0400-01S, HC1625	1117003
1990-1994	All Models	All with Red Dot Sleeper Unit	RD1010120	1199003
2000-2014	All Models	with 5-1/2" Diameter CW, Plastic Blower Wheel	563500, HC1005	1199006
1987-1994	All Models	All with Red Dot Sleeper Unit	RD1-01012-0	1199003
1978-1986	All Models	All with Kysor A/C	HF1530	1117002
1987-1997	All Models	with Red Dot A/C	RD3106-15, HC1285, BSM302081	1115001

Peterbilt

BLOWER WHEELS

YEAR	MODEL	DESCRIPTION	OEM NO.	KYSOR NO.
587				
1990-1994	All Models	All with Red Dot Sleeper Unit	RD1010120	1199003
1987-1994	All Models	All with Red Dot Sleeper Unit	RD1-01012-0	1199003
1978-1986	All Models	All with Kysor A/C	HF1530	1117002
1987-1997	All Models	with Red Dot A/C	RD3106-15, HC1285, BSM302081	1115001
13-200				
1987-1995	13-210 Mid-Ranger	with Red Dot A/C	RD5-5656-0, HC1350	1199009
1990-1995	13-210 Mid-Ranger	with Kysor A/C or Red Dot A/C	260680, HC1290, RD5-5656-0, HC1350	1199009
1988-1995	13-210 Mid-Ranger	with Kysor A/C	260680, HC1290	1199009
CAB OVER ENGINE 220				
1990-1993	All Models	All Models with Red Dot Sleeper Unit	RD1-01012-0	1199003
1987-1993	All Models	All Models with Red Dot Sleeper Unit	RD1-01012-0	1199003
1970-1980	All Models	All Models with Kysor unit, CCW	HC1185	1117001
1970-1980	All Models	All Models with Kysor unit, CW	HC1005	1199006
CAB OVER ENGINE 362				
1990-1993	All Models	All Models with Red Dot Sleeper Unit	RD1-01012-0	1199003
1987-1993	All Models	All Models with Red Dot Sleeper Unit	RD1-01012-0	1199003
1970-1980	All Models	All Models with Kysor unit, CCW	HC1185	1117001
1970-1980	All Models	All Models with Kysor unit, CW	HC1005	1199006
CAB OVER ENGINE 372				
1990-1993	All Models	All Models with Red Dot Sleeper Unit	RD1-01012-0	1199003
1987-1993	All Models	All Models with Red Dot Sleeper Unit	RD1-01012-0	1199003
1970-1980	All Models	All Models with Kysor unit, CCW	HC1185	1117001
1970-1980	All Models	All Models with Kysor unit, CW	HC1005	1199006
COE, CHASIS & CONVENTIONAL				
1987-2014	All Models	with 5-1/2" Diameter CW, Plastic Blwr. Wheel	HC1005,563500	1199044
1987-2010	All Models	with Bergstrom A/C 4-17/32" Diameter (CCW)	HC1050	1199007
1978-1986	Conventional	with Kysor Unit 5-1/4" (CW)	HF1530	1117002
CONVENTIONAL (CLASS 8 - HIGHWAY AND VOCATIONAL)				
1987-1994	All Models	All with Red Dot Sleeper Unit	RD1-01012-0	1199003
1978-1986	All Models	All with Kysor A/C	HF1530	1117002
1987-1997	All Models	with Red Dot A/C	RD3106-15, HC1285, BSM302081	1115001
1995-2011	All Models	with 5-3/4" Diameter CW, Blower Wheel	P93CAB0400-01S, HC0400-01S, HC1625	1117003
1990-1994	All Models	All with Red Dot Sleeper Unit	RD1010120	1199003
2000-2014	All Models	with 5-1/2" Diameter CW, Plastic Blower Wheel	563500, HC1005	1199006
CONVENTIONAL (MEDIUM DUTY, CLASS 5, 6,7)				
2005-2014	All Models	with 5-3/4" Diameter CW, Blower Wheel	P93CAB0400-01S, HC0400-01S, HC1625	1117003

BLOWER WHEELS

YEAR	MODEL	DESCRIPTION	OEM NO.	KYSOR NO.
K270				
1990-2014	All Models	with 4-1/2" Diameter Plastic, Blower Wheel	589540	1199007
1986-2014	All Models	with 4-1/2" Diameter Plastic, Blower Wheel	589540	1199007
1996-2003	All Models	with 4-3/8" Diameter Plastic, Blower Wheel	BSM302042, HC1050	1199035
LOW CAB FORWARD				
1990-2014	All Models	with 4-1/2" Diameter Plastic, Blower Wheel	589540	1199007
1986-2014	All Models	with 4-1/2" Diameter Plastic, Blower Wheel	589540	1199007
1996-2003	All Models	with 4-3/8" Diameter Plastic, Blower Wheel	BSM302042, HC1050	1199035
SLEEPER				
1995-2011	All Models	with 5-3/4" Diameter CW, Blower Wheel	P93CAB0400-01S, HC1625	1117003
1987-1999	All Models	All with Red Dot Sleeper Unit - 5-3/4" Diameter	RD5-5601-0, HC1325, RD1-01012-0	1199003

CLUTCHES

YEAR	MODEL	DESCRIPTION	OEM NO.	KYSOR NO.
ALL OTHER MODELS WITH SANDEN - STYLE COMPRESSOR				
All	SD7H15, SD7H15HD	2 groove 125mm 4.9" Diameter (2 wires) keyed	4695-9931	1399068
All	SD7H15, SD7H15HD	2 groove 132mm 5-1/4 Diameter (for Sanden 4626,4644)	6560-6010, 6511-6210, 6511-6010, 4647-9931, 4626-9931	1399041
All	SD7H15, SD7H15HD	2 groove 125mm 4.9" Diameter (2 wires) keyed	4695-9931	1399068
ALL OTHER MODELS WITH SELTEC / VALEO - STYLE COMPRESSOR				
All	TM15 / TM16	1 groove var. 158mm 6 1/4" Diameter	511587, 511870, 524-19719	1399014
All	TM15 / TM16	1 groove var. 158mm 6-1/4" Diameter	511587, 511870, 524-19719	1399014
ALL OTHER MODELS WITH YORK/T/CCI - STYLE COMPRESSOR				
All	All Models	1 groove 7-1/4" Diameter	18-1214, 10761, 502400, KA1010	1399027
All	All Models	2 groove, 6" Diameter , with diode, 1 wire Weatherpack	18-1210, 18-1822, 024-21590, 10884, 501939, KA1410	1380001
All	All Models	2 groove 6" Diameter 1 wire, without Weatherpack	18-02572, 332639	1380003
All	All Models	2 groove 6" Diameter with diode & 2 wires Metripack terminal	024-25238, 520556	1380002
All	All Models	2 groove 7" Diameter (Heavy Duty)	18-1866, 11153, 502742, KA1035	1399004
All	All Models	6 groove 5.8" Diameter 2 wires, Metripack	024-25241, 14565, KA1535	1380004
All	All Models	6 groove 5.8" Diameter 1 wire Weatherpack with Forward Offset Pulley	024-25144, 14304	1312002
All	All Models	6 groove 5.8" Diameter 2 wires Metripack, with Forward Offset Pulley	024-25244, 14432	1399008
All	All Models	8 groove 2 wires Metripack 6.3" Diameter pulley	024-25247, 14372, KA1405	1380006
All	All Models	6 groove 5.8" Diameter 1 wire Weatherpack with Forward Offset Pulley	024-25144, 14304	1312002
All	All Models	6 groove 5.8" Diameter 2 wires, Metripack	024-25241, 14565, KA1535	1380004

Peterbilt

CLUTCHES

YEAR	MODEL	DESCRIPTION	OEM NO.	KYSOR NO.
All	All Models	2 groove 6" Diameter 1 wire, without Weatherpack	18-02572, 332639	1313005
All	All Models	2 groove 6" Diameter with diode, 1 wire Weatherpack	18-1210, 18-1822, 024-21590, 10884, 501939, KA1410	1380001
All	All Models	8 groove 6.3" Diameter 2 wires Metripack pulley	024-25247, 14372, KA1405	1380006
All	All Models	2 groove 6" Diameter with diode & 2 wires Metripack terminal	024-25238, 520556	1380002
All	All Models	6 groove 5.8" Diameter 2 wires Metripack with Forward Offset Pulley	024-25244, 14432	1399008
All	All Models	1 groove 7-1/4" Diameter	18-1214, 10761, 502400, KA1010	1399027
All	All Models	2 groove 7" Diameter (Heavy Duty)	18-1866, 11153, 502742, KA1035	1399004

COMPRESSORS

YEAR	MODEL	DESCRIPTION	OEM NO.	KYSOR NO.
ALL OTHER MODELS WITH SANDEN - STYLE COMPRESSOR				
All	with 2 grooves	with 2 groove 125mm CumminsISC, ISB (4740, 4484)	18-04088; 18-04373	1410070
All	with 2 grooves	Same as above, Heavy Duty Version (4392)	F69-6001-233	1412012
All	with 2 grooves	with 2 groove 125mm, Ear, Vertical O-ring with PRV (4713)	LE1620	1410064
All	with 2 grooves	with 2 groove 125mm, Ear Mount 2 wires (4041, 4426, 4696)	F69-1000, F69-6002-231	1410019
All	with 2 grooves	with 2 groove 125mm, Direct Mount, 2 wires (4695)	F69-1002-133	1401125
All	with 2 grooves	with 2 groove 132mm, Direct Mount, 1 wire (4626)	LE1140	1410013
All	with 2 grooves	with 2 groove 132mm Ear Mount (4644, 4647, 4664)	LE1035, LE1135	1410064
All	with 6 grooves	with 6 groove 125mm 4.6" Diameter GSA Head, 2 wires (4408)	F69-6003-222	1401447
All	with 6 grooves	with 6 groove 125mm 4.6" 2 wires with C3406 (4040, 4425, 4792)	F69-6002-122, F69-6000	1410003
All	with 6 grooves	Same as above, Heavy Duty Version 4377	F69-6003-121	1401414
All	with 6 grooves	with 6 groove 125mm with CumminsISM, C10/C12 (4039 4731, 4424)	F69-6001-122, 18-5000	1410002
All	with 6 grooves	with 6 groove 125mm, Heavy Duty Version of #5362	F69-6003-122	1401435
All	with 7 grooves	with 7 groove 119mm 4.6" Diameter with Vertical O-ring (4645)	LE1150	1401116
All	with 7 grooves	with 7 groove 126mm, SPRHD Direct Mount 2 wires (4087)	SD4087	1401424
All	with 7 grooves	with 7 groove 126mm SPRHD 12V KCA Head, Direct Mount	SD4096	1401500
All	with 8 grooves	with 8 groove 119mm 4.6" 2 wires (4705)	F69-6002, F69-6002-212, 18-04178	1410042
All	with 8 grooves	with 8 groove 119mm, Ear, Vertical Pad, 2 wires (4322)	F69-6001-112	1401445

COMPRESSORS

YEAR	MODEL	DESCRIPTION	OEM NO.	KYSOR NO.
All	with 8 grooves	with 8 groove 119mm, Ear, Horizontal, 1" x 14, 2 wires (4394)	F69-6003-215	1401507
All	with 8 grooves	with 8 groove 119mm, Ear, 3/4" x 7/8", 2 wires (4739)	18-04291	1401374
All	with 8 grooves	with 8 groove 119mm, Direct Horizontal, GQ, (4042, 4432, 4759)	F69-1003	1410022
All	with 8 grooves	Same as above, SPRHD Version (#4368)	F69-6003-111	1401413
All	with 8 grooves	with 8 groove 119mm, 2 wires (#4667)	LE1085, K318-103	1401371
All	with 8 grooves	with 8 groove 119mm, 1 wire (#4666)	F69-6001-114, F69-6002-114	1401117
All	with 8 grooves	Same as above, SPRHD Version, 2 wires (4391)	F69-6003-114	1401432
All	with 8 grooves	with 8 groove 119mm JDA Head Ear Mount (4660)	4660	1410043
All	with 8 grooves	with 8 groove 125mm GSA Head Ear Mount (4081, 4398)	F69-6003-112	1401417
All	with 10 grooves	with 10 groove 126mm GQ Head, Direct Mount (4384)	F69-6003-141	1412014
All	with 12 grooves	with 12 groove 126mm Direct Mount, 2 wires (4370)	F69-6003-151	1401416
All	All Models	with 2 groove 132mm, Direct Mount, 1 wire (4626)	LE1140	1401107
All	All Models	with 2 groove 125mm, Ear Mount (4627)	LE1145	1401108
All	All Models	with 7 groove 119mm 4.6" Diameter with vertical O-ring (4645)	LE1150	1401110
All	All Models	with 2 groove 132mm Ear mount (4644, 4647, 4664)	LE1035, LE1135	1401115
All	All Models	with 2 groove 125mm, Ear, Vertical O-ring with PRV (4713)	LE1620	1401115
All	All Models	with 8 groove 119mm, 1 wire (#4666)	F69-6001-114, F69-6002-114	1401117
All	All Models	with 8 groove 119mm, Ear, Horizontal, 1" x 14 (4672)	F69-6001-215	1401118
All	All Models	with 2 groove 125mm, Direct Mount, 2 wires (4695)	F69-1002-133	1401125
All	All Models	with 7 groove 125mm (4577 Head) Direct Mount	F69-1013, F69-1015-151	1401206
All	All Models	with 7 groove 125mm SPRHD (4577 Head) Direct Mount	F69-1015-121	1401206
All	All Models	with 8 groove 130mm SPRHD Direct Mount, 2 wires	F69-1014, F69-1015-131, F69-1015-141, F69-1017, F69-1018	1401347
All	All Models	with 8 groove 119mm, 2 wires (#4667)	LE1085, K318-103	1401371
All	All Models	Sanden model 4660 with 8 groove 119mm JDA Head Ear Mount (4660)	4660	1401373
All	All Models	with 6 groove 125mm with Cummins ISM, C10/C12 (4039 4731, 4424)	F69-6001-12, 18-5000	1401404
All	All Models	with 6 groove 125mm 4.6" 2 wires with C3406 (4040, 4425, 4792)	F69-6002-122, F69-6000	1401405
All	All Models	with 2 groove 125mm, Ear Mount 2 wires (4041, 4426, 4696)	F69-100, F69-6002-231	1401406
All	All Models	with 8 groove 119mm, Direct, Horizontal, GQ, SPRHD Version (#4368)	F69-6003-111	1401413
All	All Models	with 6 groove 125mm 4.6" 2 wires with C3406 Heavy Duty Version (4377)	F69-6003-121	1401414

Peterbilt

COMPRESSORS

YEAR	MODEL	DESCRIPTION	OEM NO.	KYSOR NO.
All	All Models	with 12 groove 126mm Direct Mount, 2 wires (4370)	F69-6003-151	1401416
All	All Models	with 8 groove 125mm GSA Head Ear Mount (4081, 4398)	F69-6003-112	1401417
All	All Models	with 2 groove 125mm CumminsISC, ISB Heavy Duty Version (4392)	F69-6001-233	1401423
All	All Models	with 8 groove 119mm, 2 wires, SPRHD Version (4391)	F69-6003-114	1401432
All	All Models	with 6 groove 125mm, Heavy Duty Version of #5362	F69-6003-122	1401435
All	All Models	with 8 groove 119mm, Ear, Vertical, Pad, 2 wires (4322)	F69-6001-112	1401445
All	All Models	with 10 groove 126mm GQ Head, Direct Mount (4384)	F69-6003-141	1401446
All	All Models	with 6 groove 125mm 4.6" Diameter GSA Head, 2 wires (4408)	F69-6003-222	1401447
All	All Models	with 8 groove 119mm, Ear, Horizontal, 1" x 14, 2 wires (4394)	F69-6003-215	1401507
All	All Models	with 8 groove 119mm 4.6" Diameter 2 wires (4705)	F69-6002, F69-6002-212, 18-04178	1406006
All	All Models	Sanden model 4087 with 7 groove 126mm, SPRHD Direct Mount 2 wires (4087)	SD4087	1401424
All	All Models	Sanden model 4096 with 7 groove 126mm SPRHD 12V KCA Head, Direct Mount (4096)	SD4096	1401500

ALL OTHER MODELS WITH YORK/T/CCI - STYLE COMPRESSOR

All	All Models	CCI Heavy Duty with Rotalock fittings	ER210L-25149, LC1005, LC1000	1411001
All	All Models	CCI Heavy Duty with Tube - O-ring fittings	ET210L-25150, LC2120, LC1130, LC1010	1411002
All	All Models	CCI Heavy Duty with Tube O-ring fittings	ET210L-25150, LC2120, LC1130, LC1010	1402002
All	All Models	with 2 groove 6" Diameter 1 wire, Tube-O Head	488-25073C, K318-137-3, LC1080, LC1140	1411013
1996-2000	All Models	with 2 groove 6" Diameter 1 wire, with Cat 3406E with Cummins M11 engine	ET210L-25073C	1411013
All	All Models	with 2 groove 6" Diameter 1 wire, Rotalock Head	ER210L-21571C, 488-25248C	1411014
All	All Models	with 2 groove 6" Diameter 2 wires, with Cat 3406B (C15) engine	ET210L-25237C, LC2120	1411015
All	All Models	with 8 groove 6-1/8" Diameter 2 wires, with Detroit 60 series engine	ET210L-25246C	1411016

CONDENSERS

YEAR	MODEL	DESCRIPTION	OEM NO.	KYSOR NO.
320				
2012-2014	320	with 20" x 25" x 5/8"	Red Dot A/C 4783001	1514025
325				
2005-2008	All Models	All with 24-1/4" x 29-1/2" x 5/8" Pad fittings	F31-6042, F31-6043, 1E6043	1517014
2006-2008	All Models	All with 15"x 31-1/4"	3S010633 9983	1517015

CONDENSERS

YEAR	MODEL	DESCRIPTION	OEM NO.	KYSOR NO.
330				
2005-2008	All Models	All with 24-1/4" x 29-1/2" x 5/8" Pad fittings	F31-6042, F31-6043, 1E6043	1517014
2003-2009	330	with 15" x 31-1/4" x 1-1/4" MIO Fittings	18-03722	1517015
2006-2008	All Models	All with 15" x 31-1/4"	3S010633 9983	1517015
335				
2005-2008	All Models	All with 24-1/4" x 29-1/2" x 5/8" Pad fittings	F31-6042, F31-6043, 1E6043	1517014
2006-2008	All Models	All with 15" x 31-1/4"	3S010633 9983	1517015
340				
2005-2008	All Models	All with 24-1/4" x 29-1/2" x 5/8" Pad fittings	F31-6042, F31-6043, 1E6043	1517014
2006-2008	All Models	All with 15" x 31-1/4"	3S010633 9983	1517015
357				
1990-2000	All Models	All Models with Detroit or Cat engine	18-03543	1517008
1995-2007	All Models	All with Signet A/C system (28" x 28")	18-04015, 18-03809	1517011
1999-2000	All Models	with Modine Condenser	1E458	1517012
2005-2007	All Models	with 23-3/4" x 30" x 3/4" Block Fittings #6 & #8	F31-6064, 1E5715	1517020
1999-2000	All Models	with Modine Condenser	1E4582	1517012
365				
1990-2000	All Models	All Models with Detroit or Cat engine	18-03543	1517008
1995-2007	All Models	All with Signet A/C system (28" x 28")	18-04015, 18-03809	1517011
1999-2000	All Models	with Modine Condenser	1E458	1517012
2008-2012	365	with 14" x 33" x 3/4" Pad fittings	R0440001, M3659002	1517019
2005-2007	All Models	with 23-3/4" x 30" x 3/4" Block Fittings #6 & #8	F31-6064, 1E5715	1517020
1999-2000	All Models	with Modine Condenser	1E4582	1517012
367				
1990-2000	All Models	All Models with Detroit or Cat engine	18-03543	1517008
1995-2007	All Models	All with Signet A/C system (28" x 28")	18-04015, 18-03809	1517011
1999-2000	All Models	with Modine Condenser	1E458	1517012
2012-2014	367	with 19" x 33" x 3/4" Pad fittings	V3695001, M360900, N4778001	1517018
2005-2007	All Models	with 23-3/4" x 30" x 3/4" Block Fittings #6 & #8	F31-6064, 1E5715	1517020
1999-2000	All Models	with Modine Condenser	1E4582	1517012
375				
1990-2000	All Models	All Models with Detroit or Cat engine	18-03543	1517008
1995-2007	All Models	All with Signet A/C system (28" x 28")	18-04015, 18-03809	1517011
1999-2000	All Models	with Modine Condenser	1E458	1517012
2005-2007	All Models	with 23-3/4" x 30" x 3/4" Block Fittings #6 & #8	F31-6064, 1E5715	1517020
1999-2000	All Models	with Modine Condenser	1E4582	1517012
377				
1990-2000	All Models	All Models with Detroit or Cat engine	18-03543	1517008
1995-2007	All Models	All with Signet A/C system (28" x 28")	18-04015, 18-03809	1517011
1999-2000	All Models	with Modine Condenser	1E458	1517012

Peterbilt

CONDENSERS

YEAR	MODEL	DESCRIPTION	OEM NO.	KYSOR NO.
2005-2007	All Models	with 23-3/4" x 30" x 3/4" Block Fittings #6 & #8	F31-6064, 1E5715	1517020
1999-2000	All Models	with Modine Condenser	1E4582	1517012
378				
1990-2000	All Models	All Models with Detroit or Cat engine	18-03543	1517008
1995-2007	All Models	All with Signet A/C system (28" x 28")	18-04015, 18-03809	1517011
1999-2000	All Models	with Modine Condenser	1E458	1517012
2005-2007	All Models	with 23-3/4" x 30" x 3/4" Block Fittings #6 & #8	F31-6064, 1E5715	1517020
1999-2000	All Models	with Modine Condenser	1E4582	1517012
379				
1990-2000	All Models	All Models with Detroit or Cat engine	18-03543	1517008
1995-2007	All Models	All with Signet A/C system (28" x 28")	18-04015, 18-03809	1517011
1999-2000	All Models	with Modine Condenser	1E458	1517012
2000-2007	379	All with 24-1/4" x 29-1/2" x 5/8" Pad fittings (bracket end to bracket end 37-5/8" OAL)	F31-6042, F31-6043, 1E6043	1517014
2001-2007	379	All (33-18" x 28" x 1-1/4")	3S011268, 18-04454	1517016
2009-2010	379	with 14" x 33" x 3/4" Pad fittings	R0440001, M3659002	1517019
2005-2007	All Models	with 23-3/4" x 30" x 3/4" Block Fittings #6 & #8	F31-6064, 1E5715	1517020
2009-2010	379	All	M3659002, R0440001	1517019
1999-2000	All Models	with Modine Condenser	1E4582	1517012
382				
1990-2000	All Models	All Models with Detroit or Cat engine	18-03543	1517008
1995-2007	All Models	All with Signet A/C system (28" x 28")	18-04015, 18-03809	1517011
1999-2000	All Models	with Modine Condenser	1E458	1517012
2008-2012	382	with 14" x 33" x 3/4" Pad fittings	R0440001, M3659002	1517019
2005-2007	All Models	with 23-3/4" x 30" x 3/4" Block Fittings #6 & #8	F31-6064, 1E5715	1517020
1999-2000	All Models	with Modine Condenser	1E4582	1517012
384				
1990-2000	All Models	All Models with Detroit or Cat engine	18-03543	1517008
1995-2007	All Models	All with Signet A/C system (28" x 28")	18-04015, 18-03809	1517011
1999-2000	All Models	with Modine Condenser	1E458	1517012
2012-2014	384	with 19" x 33" x 3/4" Pad fittings	V3695001, M360900, N4778001	1517018
2008-2012	384	with 14" x 33" x 3/4" Pad fittings	R0440001, M3659002	1517019
2005-2007	All Models	with 23-3/4" x 30" x 3/4" Block Fittings #6 & #8	F31-6064, 1E5715	1517020
1999-2000	All Models	with Modine Condenser	1E4582	1517012
385				
1990-2000	All Models	All Models with Detroit or Cat engine	18-03543	1517008
1995-2007	All Models	All with Signet A/C system (28" x 28")	18-04015, 18-03809	1517011
1999-2000	All Models	with Modine Condenser	1E458	1517012
2005-2007	All Models	with 23-3/4" x 30" x 3/4" Block Fittings #6 & #8	F31-6064, 1E5715	1517020
1999-2000	All Models	with Modine Condenser	1E4582	1517012

CONDENSERS

YEAR	MODEL	DESCRIPTION	OEM NO.	KYSOR NO.
386				
1990-2000	All Models	All Models with Detroit or Cat engine	18-03543	1517008
1995-2007	All Models	All with Signet A/C system (28" x 28")	18-04015, 18-03809	1517011
1999-2000	All Models	with Modine Condenser	1E458	1517012
2005-2007	386	with 25" x 31-1/2" x 5/8"	F31-6042, 1E5610	1517014
2000-2007	386	All with 24-1/4" x 29-1/2" x 5/8" Pad fittings (bracket end to bracket end 37-5/8" OAL)	F31-6042, F31-6043, 1E6043	1517014
2001-2007	386	All (33-18" x 28" x 1-1/4")	3S011268, 18-04454	1517016
2012-2014	386	with 19" x 33" x 3/4" Pad fittings	V3695001, M360900, N4778001	1517018
2009-2010	386	with 14" x 33" x 3/4" Pad fittings	R0440001, M3659002	1517019
2008-2012	386	with 14" x 33" x 3/4" Pad fittings	R0440001, M3659002	1517019
2005-2007	All Models	with 23-3/4" x 30" x 3/4" Block Fittings #6 & #8	F31-6064, 1E5715	1517020
2009-2010	386	All	M3659002, R0440001	1517019
1999-2000	All Models	with Modine Condenser	1E4582	1517012
387				
1990-2000	All Models	All Models with Detroit or Cat engine	18-03543	1517008
1999-2000	All Models	with Modine Condenser	1E458	1517012
2005-2007	387	with 25" x 31-1/2" x 5/8"	F31-6042, 1E5610	1517014
2008-2012	387	with Pad fittings	N4778001, M3611002	1517018
2005-2007	All Models	with 23-3/4" x 30" x 3/4" Block Fittings #6 & #8	F31-6064, 1E5715	1517020
1999-2000	All Models	with Modine Condenser	1E4582	1517012
388				
1990-2000	All Models	All Models with Detroit or Cat engine	18-03543	1517008
1995-2007	All Models	All with Signet A/C system (28" x 28")	18-04015, 18-03809	1517011
1999-2000	All Models	with Modine Condenser	1E458	1517012
2012-2014	388	with 19" x 33" x 3/4" Pad fittings	V3695001, M360900, N4778001	1517018
2005-2007	All Models	with 23-3/4" x 30" x 3/4" Block Fittings #6 & #8	F31-6064, 1E5715	1517020
2008-2012	388	with 17-7/8" x 29-1/4" x 3/4" Block Fittings #6 & #8	R0337001	1517021
1999-2000	All Models	with Modine Condenser	1E4582	1517012
389				
1990-2000	All Models	All Models with Detroit or Cat engine	18-03543	1517008
1995-2007	All Models	All with Signet A/C system (28" x 28")	18-04015, 18-03809	1517011
1999-2000	All Models	with Modine Condenser	1E458	1517012
2000-2007	389	All with 24-1/4" x 29-1/2" x 5/8" Pad fittings (bracket end to bracket end 37-5/8" OAL)	F31-6042, F31-6043, 1E6043	1517014
2012-2014	389	with 19" x 33" x 3/4" Pad fittings	V3695001, M360900, N4778001	1517018
2009-2010	389	with 14" x 33" x 3/4" Pad fittings	R0440001, M3659002	1517019
2005-2007	All Models	with 23-3/4" x 30" x 3/4" Block Fittings #6 & #8	F31-6064, 1E5715	1517020
2009-2010	389	All	M3659002, R0440001	1517019
1999-2000	All Models	with Modine Condenser	1E4582	1517012

Peterbilt

CONDENSERS

YEAR	MODEL	DESCRIPTION	OEM NO.	KYSOR NO.
587				
1990-2000	All Models	All Models with Detroit or Cat engine	18-03543	1517008
1995-2007	All Models	All with Signet A/C system (28" x 28")	18-04015, 18-03809	1517011
1999-2000	All Models	with Modine Condenser	1E458	1517012
2008-2012	587	with Pad fittings	N4778001, M3611002	1517018
2005-2007	All Models	with 23-3/4" x 30" x 3/4" Block Fittings #6 & #8	F31-6064, 1E5715	1517020
1999-2000	All Models	with Modine Condenser	1E4582	1517012
COE, CHASIS & CONVENTIONAL				
1994-2002	Conventional with Med & Long Hood	with Signet A/C (full face condenser)(28" x 28")	18-03809	1517011
1987-1997	Conventional	with Cat or Detroit Engine with Charge Air Cooler	18-03543	1517008
1990-1997	Conventional	with Cat or Detroit engine with Charge Air Cooler	18-03543	1517008
1994-2002	Conventional with Med & Long Hood	with Signet A/C (full face condenser) (28" x 28")	18-03809	1517011
CONVENTIONAL (CLASS 8 - HIGHWAY AND VOCATIONAL)				
1999-2000	All Models	with Modine Condenser	1E4582	1517012
1990-2000	All Models	All Models with Detroit or Cat engine	18-03543	1517008
1995-2007	All Models	All with Signet A/C system (28" x 28")	18-04015, 18-03809	1517011
1999-2000	All Models	with Modine Condenser	1E458	1517012
2005-2007	All Models	with 23-3/4" x 30" x 3/4" Block Fittings #6 & #8	F31-6064, 1E5715	1517020
CONVENTIONAL (MEDIUM DUTY, CLASS 5, 6,7)				
2005-2008	All Models	All with 24-1/4" x 29-1/2" x 5/8" Pad fittings	F31-6042, F31-6043, 1E6043	1517014
2006-2008	All Models	All with 15" x 31-1/4"	3S010633 9983	1517015

EVAPORATORS

YEAR	MODEL	DESCRIPTION	OEM NO.	KYSOR NO.
320				
1990-1996	320	All Models with Bergstrom Main Unit (LCF)	BSM150101	1617005
1996-2014	320	All with Bergstrom Main Unit (exc. RHD)	108291, NA1295	1617006
325				
2009-2014	All Models	Main Unit	3S011453	1617018
2000-2006	330,335,340	with Signet A/C	3X010018	1617013
330				
2009-2014	All Models	Main Unit	3S011453	1617018
2000-2006	330	with Signet A/C	3X010018	1617013
335				
2009-2014	All Models	Main Unit	3S011453	1617018
2000-2006	335	with Signet A/C	3X010018	1617013
340				
2009-2014	All Models	Main Unit	3S011453	1617018
2000-2006	340	with Signet A/C	3X010018	1617013

EVAPORATORS

YEAR	MODEL	DESCRIPTION	OEM NO.	KYSOR NO.
357				
1994-2007	All Models	All with 6-3/4" x 8-3/4" x 2-7/8" In: M20 / Out: #10 M	1000227092, NA1501-02S, P93CAC1501-02S	1617011
1998-2005	All Models	All with Signet A/C	3X010018	1617013
2008-2010	All Models	All with Main Evaporator	3X011171	1617013
2008-2013	All Models	with Signet Sleeper	3X010151	1617015
1990-1993	All Models	All Models with Red Dot Sleeper Unit	RD2-1402-0	1699002
359				
1977-1986	359	All Models with Kysor A/C #400049	NA1015	1617007
365				
1994-2007	All Models	All with 6-3/4" x 8-3/4" x 2-7/8" In: M20 / Out: #10 M	1000227092, NA1501-02S, P93CAC1501-02S	1617011
1998-2005	All Models	All with Signet A/C	3X010018	1617013
2008-2010	All Models	All with Main Evaporator	3X011171	1617013
2008-2013	All Models	with Signet Sleeper	3X010151	1617015
1990-1993	All Models	All Models with Red Dot Sleeper Unit	RD2-1402-0	1699002
367				
1994-2007	All Models	All with 6-3/4" x 8-3/4" x 2-7/8" In: M20 / Out: #10 M	1000227092, NA1501-02S, P93CAC1501-02S	1617011
1998-2005	All Models	All with Signet A/C	3X010018	1617013
2008-2010	All Models	All with Main Evaporator	3X011171	1617013
2008-2013	All Models	with Signet Sleeper	3X010151	1617015
1990-1993	All Models	All Models with Red Dot Sleeper Unit	RD2-1402-0	1699002
375				
1994-2007	All Models	All with 6-3/4" x 8-3/4" x 2-7/8" In: M20 / Out: #10 M	1000227092, NA1501-02S, P93CAC1501-02S	1617011
1998-2005	All Models	All with Signet A/C	3X010018	1617013
2008-2010	All Models	All with Main Evaporator	3X011171	1617013
2008-2013	All Models	with Signet Sleeper	3X010151	1617015
1990-1993	All Models	All Models with Red Dot Sleeper Unit	RD2-1402-0	1699002
377				
1994-2007	All Models	All with 6-3/4" x 8-3/4" x 2-7/8" In: M20 / Out: #10 M	1000227092, NA1501-02S, P93CAC1501-02S	1617011
1998-2005	All Models	All with Signet A/C	3X010018	1617013
2008-2010	All Models	All with Main Evaporator	3X011171	1617013
2008-2013	All Models	with Signet Sleeper	3X010151	1617015
1990-1993	All Models	All Models with Red Dot Sleeper Unit	RD2-1402-0	1699002
378				
1994-2007	All Models	All with 6-3/4" x 8-3/4" x 2-7/8" In: M20 / Out: #10 M	1000227092, NA1501-02S, P93CAC1501-02S	1617011
1998-2005	All Models	All with Signet A/C	3X010018	1617013
2008-2010	All Models	All with Main Evaporator	3X011171	1617013
2008-2013	All Models	with Signet Sleeper	3X010151	1617015
1990-1993	All Models	All Models with Red Dot Sleeper Unit	RD2-1402-0	1699002

Peterbilt

EVAPORATORS

YEAR	MODEL	DESCRIPTION	OEM NO.	KYSOR NO.
379				
1994-2007	All Models	All with 6-3/4" x 8-3/4" x 2-7/8" In: M20 / Out: #10 M	1000227092, NA1501-02S, P93CAC1501-02S	1617011
1998-2005	All Models	All with Signet A/C	3X010018	1617013
2008-2010	All Models	All with Main Evaporator	3X011171	1617013
2008-2013	All Models	with Signet Sleeper	3X010151	1617015
1990-1993	All Models	All Models with Red Dot Sleeper Unit	RD2-1402-0	1699002
382				
1994-2007	All Models	All with 6-3/4" x 8-3/4" x 2-7/8" In: M20 / Out: #10 M	1000227092, NA1501-02S, P93CAC1501-02S	1617011
1998-2005	All Models	All with Signet A/C	3X010018	1617013
2008-2010	All Models	All with Main Evaporator	3X011171	1617013
2008-2013	All Models	with Signet Sleeper	3X010151	1617015
1990-1993	All Models	All Models with Red Dot Sleeper Unit	RD2-1402-0	1699002
384				
1994-2007	All Models	All with 6-3/4" x 8-3/4" x 2-7/8" In: M20 / Out: #10 M	1000227092, NA1501-02S, P93CAC1501-02S	1617011
1998-2005	All Models	All with Signet A/C	3X010018	1617013
2008-2010	All Models	All with Main Evaporator	3X011171	1617013
2008-2013	All Models	with Signet Sleeper	3X010151	1617015
1990-1993	All Models	All Models with Red Dot Sleeper Unit	RD2-1402-0	1699002
385				
2008-2010	385	with Signet Sleeper	3X011250	1617010
1994-2007	All Models	All with 6-3/4" x 8-3/4" x 2-7/8" In: M20 / Out: #10 M	1000227092, NA1501-02S, P93CAC1501-02S	1617011
1998-2005	All Models	All with Signet A/C	3X010018	1617013
2008-2010	All Models	All with Main Evaporator	3X011171	1617013
2008-2013	All Models	with Signet Sleeper	3X010151	1617015
1990-1993	All Models	All Models with Red Dot Sleeper Unit	RD2-1402-0	1699002
386				
2008-2010	386	with Signet Sleeper	3X011250	1617010
1994-2007	All Models	All with 6-3/4" x 8-3/4" x 2-7/8" In: M20 / Out: #10 M	1000227092, NA1501-02S, P93CAC1501-02S	1617011
1998-2005	All Models	All with Signet A/C	3X010018	1617013
2008-2010	All Models	All with Main Evaporator	3X011171	1617013
2008-2013	All Models	with Signet Sleeper	3X010151	1617015
1990-1993	All Models	All Models with Red Dot Sleeper Unit	RD2-1402-0	1699002
387				
1999-2014	387	All Models with Bergstrom Sleeper Unit	151339BSM	1614007
2010-2014	387	All Models with Bergstrom Sleeper Unit	151385BSM	1617009
1994-2007	All Models	All with 6-3/4" x 8-3/4" x 2-7/8" In: M20 / Out: #10 M	1000227092, NA1501-02S, P93CAC1501-02S	1617011
1998-2015	All Models	All with Signet A/C	3X010018	1617013
1990-1993	All Models	All Models with Red Dot Sleeper Unit	RD2-1402-0	1699002
1999-2014	387	All Models with Bergstrom Main Unit	151338BSM	1699005

EVAPORATORS

YEAR	MODEL	DESCRIPTION	OEM NO.	KYSOR NO.
388				
1994-2007	All Models	All with 6-3/4" x 8-3/4" x 2-7/8" In: M20 / Out: #10 M	1000227092, NA1501-02S, P93CAC1501-02S	1617011
2009-2014	388	Main Unit	3S011453	1617018
1998-2005	All Models	All with Signet A/C	3X010018	1617013
1990-1993	All Models	All Models with Red Dot Sleeper Unit	RD2-1402-0	1699002
389				
2008-2010	389	with Signet Sleeper	3X011250	1617010
1994-2007	All Models	All with 6-3/4" x 8-3/4" x 2-7/8" In: M20 / Out: #10 M	1000227092, NA1501-02S, P93CAC1501-02S	1617011
2009-2014	389	Main Unit	3S011453	1617018
1998-2005	All Models	All with Signet A/C	3X010018	1617013
2008-2010	All Models	All with Main Evaporator	3X011171	1617013
2008-2013	All Models	with Signet Sleeper	3X010151	1617015
1990-1993	All Models	All Models with Red Dot Sleeper Unit	RD2-1402-0	1699002
587				
1999-2014	587	All Models with Bergstrom Sleeper Unit	151339BSM	1614007
2010-2014	587	All Models with Bergstrom Sleeper Unit	151385BSM	1617009
1994-2007	All Models	All with 6-3/4" x 8-3/4" x 2-7/8" In: M20 / Out: #10 M	1000227092, NA1501-02S, P93CAC1501-02S	1617011
1998-2005	All Models	All with Signet A/C	3X010018	1617013
1990-1993	All Models	All Models with Red Dot Sleeper Unit	RD2-1402-0	1699002
1999-2014	587	All Models with Bergstrom Main Unit	151338BSM	1699005
ALL OTHER MODELS				
1987-1999	Conventional. & COE	with Red Dot A/C (Sleeper)	RD2-1402-0 NA1040	1699002
1988-1996	All with Bergstrom A/C	All Models Main Unit	BSM150101	1617005
1986-1993	All with Bergstrom A/C	All	151100, NA1030	1614005
1986-1993	All with Bergstrom A/C	All	151280, 15128P	1614003
1986-1993	All with Bergstrom A/C	All	NA1005	1614003
All	All Models	with Bergstrom Evaporator	151280, 15128P	1614003
All	All Models	with Bergstrom Evaporator	NA1005	1614003
1990-1993	All Models with Bergstrom A/C	All Models with Sleeper Unit with Bergstrom A/C	151100, NA1030	1614005
1990-1996	All Models with Bergstrom A/C	All Models Main Unit	BSM150101	1617005
CONVENTIONAL (CLASS 8 - HIGHWAY AND VOCATIONAL)				
1994-2007	All Models	All with 6-3/4" x 8-3/4" x 2-7/8" In: M20 / Out: #10 M	1000227092, NA1501-02S, P93CAC1501-02S	1617011
1998-2005	All Models	All with Signet A/C	3X010018	1617013
2008-2010	All Models	All with Main Evaporator	3X011171	1617013
2008-2013	All Models	with Signet Sleeper	3X010151	1617015
1990-1993	All Models	All Models with Red Dot Sleeper Unit	RD2-1402-0	1699002
CONVENTIONAL (MEDIUM DUTY, CLASS 5, 6,7)				
2009-2014	All Models	Main Unit	3S011453	1617018

Peterbilt

EXPANSION VALVES AND ORIFICE TUBES

YEAR	MODEL	DESCRIPTION	OEM NO.	KYSOR NO.
387				
2007-2014	387	Sleeper with Bergstrom A/C 1.5 ton	549707BSM, 929-512	1817003
587				
2011-2012	587	Main Unit with M10, M12 Ports 2 ton and bypass	540057BSM, EA14650	1899044
2011-2014	587	Sleeper with flange type valve, 1/4 ton	540056BSM	1899031
2011-2014	587	Sleeper with flange type valve, 1/4 ton	540056BSM	1813018
CHASSIS AND CONVENTIONAL				
1999-2005	All Models with Block Expansion Valve	Sleeper with Bergstrom A/C	540044BSM	1813016
1997-2002	All Models with InternAlly Equalized	with Signet A/C sleeper (In: 16mm/Out: 20mm) 16.5" tube	P93CAC3900-02, 31134-01	1817011
2008-2012	All Models	Main Unit with M10, M12 Ports 2 ton and bypass	549708BSM, 929-513	1817004
All	All Models	1.5 Ton With Switch ports	1000355817	1817007
All	All Models	2 Ton With Switch ports	1000352807	1817008
2011	Sleeper	Sleeper Unit; Block Type Expansion Valve	5X013432	1818006
All	All Models with InternAlly Equalized	All without O-ring type valve (externally equalized)	RD53824-0	1875003
1997-2005	All Models withoutrifice Tube	with Signet A/C withoutrifice tube (orange)	5X010061	1899002
1994-2010	All Models withoutrifice Tube	with Signet A/C (red tube) NOTE: for Enhanced Cooling use #2001057 (orange)	P93CAB2500-01S, EC1015	1899003
All	All Models with InternAlly Equalized	All with flare type valve (externally equalized)	K251-306	1899008
1997-2007	All Models with Block Expansion Valve	with Bergstrom A/C	EA1315	1899042
1999-2011	All Models	with Bergstrom Main Unit	540057BSM	1899044
1997-2011	All Models	Sleeper with Bergstrom A/C	540056BSM	1899031
COE				
1999-2005	All Models with Block Expansion Valve	Sleeper with Bergstrom A/C	540044BSM	1813016
1997-2002	All Models with InternAlly Equalized	with Signet A/C sleeper (In: 16mm/Out: 20mm) 16.5" tube	P93CAC3900-02, 31134-01	1817011
2008-2012	All Models	Main Unit with M10, M12 Ports 2 ton and bypass	549708BSM, 929-513	1817004
All	All Models	1.5 Ton with Switch ports	1000355817	1817007
All	All Models	2 Ton with Switch ports	1000352807	1817008
2011	Sleeper	Sleeper Unit; Block Type Expansion Valve	5X013432	1818006
All	All Models with InternAlly Equalized	All without O-ring type valve (externally equalized)	RD53824-0	1875003
1997-2005	All Models withoutrifice Tube	with Signet A/C withoutrifice tube (orange)	5X010061	1899002
1994-2010	All Models withoutrifice Tube	with Signet A/C (red tube) NOTE: for Enhanced Cooling use #2001057 (orange)	P93CAB2500-01S, EC1015	1899003
All	All Models with InternAlly Equalized	All with flare type valve (externally equalized)	K251-306	1899008
1997-2007	All Models with Block Expansion Valve	with Bergstrom A/C	EA1315	1899042
1999-2011	All Models	with Bergstrom Main Unit	540057BSM	1899044

EXPANSION VALVES AND ORIFICE TUBES

YEAR	MODEL	DESCRIPTION	OEM NO.	KYSOR NO.
1997-2011	All Models	Sleeper with Bergstrom A/C	540056BSM	1899031
COE, CHASIS & CONVENTIONAL				
All	All Models	All	1000352807	1817008
All	All Models	All	1000352807	1817007
2008-2012	All Models	Main Unit with M10, M12 Ports 2 ton and bypass	549708BSM, 929-513	1817004
2008-2014	All Models	Main Unit with M10, M12 Ports 2 ton	3S011516, 5X013907	1817010
1999-2011	All Models	with Bergstrom Main Unit	540057BSM	1899044
1997-2011	All Models	Sleeper wBergstrom A/C	540056BSM	1813018
1994-2010	All Models withoutrifice Tube	with Signet A/C (red tube) NOTE: for Enhanced Cooling use #1652 (orange)	P93CAB2500-01S, EC1015,BSM308007	1899003
1997-2005	All Models withoutrifice Tube	with Signet A/C withoutrifice tube (orange)	5X010061	1899002
1999-2005	All Models with Block Expansion Valve	Sleeper with Bergstrom A/C	540044BSM	1813016
1976-1996	All Models with Block Expansion Valve	All Models	18-04275,EA1065,RD4157-0,BSM308011,18-04275,404098,EA1065	1899046
2013-2015	All Models	587 (Bergstrom Sleeper)	1000352807BSM	1817008
1997-2002	All Models with InternAlly Equalized	with Signet A/C sleeper (In: 16mm/Out: 20mm) 16.5" tube	P93CAC3900-02, 31134-01	1817011
All	All Models with InternAlly Equalized	All with flare type valve (externally equalized)	K251-306	1899008
All	All Models with InternAlly Equalized	All without O-ring type valve (externally equalized)	RD53824-0	1875003
2011-2011	Sleeper	Sleeper Unit, Block Type Expansion Valve	5X013432	1818006

HEATER CORES

YEAR	MODEL	DESCRIPTION	OEM NO.	KYSOR NO.
320				
1997-2014	320	All with Main Unit with Bergstrom A/C	108306, MC1365	1717005
1997-2000	320	All 320 with Main Unit with Bergstrom heater only unit	108201, MC1130	1717004
1988-2003	320	with Red Dot A/C	RD1-0715-0, MC1100	2610003-DS
1987-1996	320	All 320 with Main Unit with Bergstrom	MC1165	1717002
325				
1998-2011	All Models	with Signet A/C 9-7/8" x 8-7/8" x 2-1/2" IN/ OUT 5/8"	3X011018, 3X010005	1717012
330				
1998-2011	All Models	with Signet A/C 9-7/8" x 8-7/8" x 2-1/2" IN/ OUT 5/8"	3X011018, 3X010005	1717012
335				
1998-2011	All Models	with Signet A/C 9-7/8" x 8-7/8" x 2-1/2" IN/ OUT 5/8"	3X011018, 3X010005	1717012
337				
1998-2011	All Models	with Signet A/C 9-7/8" x 8-7/8" x 2-1/2" IN/ OUT 5/8"	3X011018, 3X010005	1717012

Peterbilt

HEATER CORES

YEAR	MODEL	DESCRIPTION	OEM NO.	KYSOR NO.
340				
1998-2011	All Models	with Signet A/C 9-7/8" x 8-7/8" x 2-1/2" IN/ OUT 5/8"	3X011018, 3X010005	1717012
357				
1998-2011	All Models except 387,587	with Signet A/C 9-7/8" x 8-7/8" x 2-1/2" IN/ OUT 5/8"	X011018, 3X010005	1717012
1994-2008	All Models	with Signet A/C 8" x 8" x 1-3/4" IN/OUT 3/4"	B20011S	1717014
1987-1994	All Models	with Red Dot A/C	RD1-0650-0, MC1025	1717008
359				
1977-1986	359	All Models with Kysor A/C (exc bunk)	280244, MC1020	1717006
365				
1998-2011	All Models except 387,587	with Signet A/C 9-7/8" x 8-7/8" x 2-1/2" IN/ OUT 5/8"	X011018, 3X010005	1717012
1994-2008	All Models	with Signet A/C 8" x 8" x 1-3/4" IN/OUT 3/4"	B20011S	1717014
1987-1994	All Models	with Red Dot A/C	RD1-0650-0, MC1025	1717008
367				
1998-2011	All Models except 387,587	with Signet A/C 9-7/8" x 8-7/8" x 2-1/2" IN/ OUT 5/8"	X011018, 3X010005	1717012
1994-2008	All Models	with Signet A/C 8" x 8" x 1-3/4" IN/OUT 3/4"	B20011S	1717014
1987-1994	All Models	with Red Dot A/C	RD1-0650-0, MC1025	1717008
375				
1998-2011	All Models except 387,587	with Signet A/C 9-7/8" x 8-7/8" x 2-1/2" IN/ OUT 5/8"	X011018, 3X010005	1717012
1994-2008	All Models	with Signet A/C 8" x 8" x 1-3/4" IN/OUT 3/4"	B20011S	1717014
1987-1994	All Models	with Red Dot A/C	RD1-0650-0, MC1025	1717008
377				
1998-2011	All Models except 387,587	with Signet A/C 9-7/8" x 8-7/8" x 2-1/2" IN/ OUT 5/8"	X011018, 3X010005	1717012
1994-2008	All Models	with Signet A/C 8" x 8" x 1-3/4" IN/OUT 3/4"	B20011S	1717014
1987-1994	All Models	with Red Dot A/C	RD1-0650-0, MC1025	1717008
378				
1998-2011	All Models except 387,587	with Signet A/C 9-7/8" x 8-7/8" x 2-1/2" IN/ OUT 5/8"	X011018, 3X010005	1717012
1994-2008	All Models	with Signet A/C 8" x 8" x 1-3/4" IN/OUT 3/4"	B20011S	1717014
1987-1994	All Models	with Red Dot A/C	RD1-0650-0, MC1025	1717008
379				
1998-2011	All Models except 387,587	with Signet A/C 9-7/8" x 8-7/8" x 2-1/2" IN/ OUT 5/8"	X011018, 3X010005	1717012
1994-2008	All Models	with Signet A/C 8" x 8" x 1-3/4" IN/OUT 3/4"	B20011S	1717014
1987-1994	All Models	with Red Dot A/C	RD1-0650-0, MC1025	1717008
382				
1998-2011	All Models except 387,587	with Signet A/C 9-7/8" x 8-7/8" x 2-1/2" IN/ OUT 5/8"	X011018, 3X010005	1717012
1994-2008	All Models	with Signet A/C 8" x 8" x 1-3/4" IN/OUT 3/4"	B20011S	1717014
1987-1994	All Models	with Red Dot A/C	RD1-0650-0, MC1025	1717008

HEATER CORES

YEAR	MODEL	DESCRIPTION	OEM NO.	KYSOR NO.
384				
1998-2011	All Models except 387,587	with Signet A/C 9-7/8" x 8-7/8" x 2-1/2" IN/OUT 5/8"	X011018, 3X010005	1717012
1994-2008	All Models	with Signet A/C 8" x 8" x 1-3/4" IN/OUT 3/4"	B20011S	1717014
1987-1994	All Models	with Red Dot A/C	RD1-0650-0, MC1025	1717008
385				
1998-2011	All Models except 387,587	with Signet A/C 9-7/8" x 8-7/8" x 2-1/2" IN/OUT 5/8"	X011018, 3X010005	1717012
1994-2008	All Models	with Signet A/C 8" x 8" x 1-3/4" IN/OUT 3/4"	B20011S	1717014
1987-1994	All Models	with Red Dot A/C	RD1-0650-0, MC1025	1717008
386				
1998-2011	All Models except 387,587	with Signet A/C 9-7/8" x 8-7/8" x 2-1/2" IN/OUT 5/8"	X011018, 3X010005	1717012
1994-2008	All Models	with Signet A/C 8" x 8" x 1-3/4" IN/OUT 3/4"	B20011S	1717014
1987-1994	All Models	with Red Dot A/C	RD1-0650-0, MC1025	1717008
387				
1999-2014	387	Sleeper with Bergstrom A/C	108322BSM	1717011
1994-2008	All Models	with Signet A/C 8" x 8" x 1-3/4" IN/OUT 3/4"	B20011S	1717014
1987-1994	All Models	with Red Dot A/C	RD1-0650-0, MC1025	1717008
388				
1998-2011	All Models except 387,587	with Signet A/C 9-7/8" x 8-7/8" x 2-1/2" IN/OUT 5/8"	X011018, 3X010005	1717012
1994-2008	All Models	with Signet A/C 8" x 8" x 1-3/4" IN/OUT 3/4"	B20011S	1717014
1987-1994	All Models	with Red Dot A/C	RD1-0650-0, MC1025	1717008
389				
1998-2011	All Models except 387,587	with Signet A/C 9-7/8" x 8-7/8" x 2-1/2" IN/OUT 5/8"	X011018, 3X010005	1717012
1994-2008	All Models	with Signet A/C 8" x 8" x 1-3/4" IN/OUT 3/4"	B20011S	1717014
1987-1994	All Models	with Red Dot A/C	RD1-0650-0, MC1025	1717008
587				
1999-2014	587	Sleeper with Bergstrom A/C	108322BSM	1717011
1994-2008	All Models	with Signet A/C 8" x 8" x 1-3/4" IN/OUT 3/4"	B20011S	1717014
1987-1994	All Models	with Red Dot A/C	RD1-0650-0, MC1025	1717008
ALL OTHER MODELS				
1996-2001	All Models	All	BSM108206, MC1165	1717002
1995-2000	Conv	with Signet A/C	B20011S	1717014
CAB OVER ENGINE 362				
1981-2002	362	All Models with Red Dot A/C	RD1-0715-0, MC1100	1717004
1988-1994	362	All Models with Red Dot A/C	RD1-0650-0	1717008
CAB OVER ENGINE 372				
1981-2002	372	All Models with Red Dot A/C	RD1-0715-0, MC1100	1717004
1988-1994	372	All Models with Red Dot A/C	RD1-0650-0	1717008
CONVENTIONAL (CLASS 8 - HIGHWAY AND VOCATIONAL)				
1998-2011	All Models except 387,587	with Signet A/C 9-7/8" x 8-7/8" x 2-1/2" IN/OUT 5/8"	X011018, 3X010005	1717012

Peterbilt

HEATER CORES

YEAR	MODEL	DESCRIPTION	OEM NO.	KYSOR NO.
1994-2008	All Models	with Signet A/C 8" x 8" x 1-3/4" IN/OUT 3/4"	B20011S	1717014
1987-1994	All Models	with Red Dot A/C	RD1-0650-0, MC1025	1717008
CONVENTIONAL (MEDIUM DUTY, CLASS 5-6-7)				
1998-2011	All Models	with Signet A/C 9-7/8" x 8-7/8" x 2-1/2" IN/OUT 5/8"	3X011018, 3X010005	1717012
SLEEPER				
2011-2014	384,386,388,389	Sleeper with Behr unit	HR1066001	1713012
1999-2014	387,587	Sleeper with Bergstrom A/C	108322BSM	1717012

RECEIVER DRIERS/ACCUMULATORS

YEAR	MODEL	DESCRIPTION	OEM NO.	KYSOR NO.
310				
1994-2014	All Models	with male/female O-ring; with (2) M10 metric ports	18-03783	1912020
1990-1993	All Models	All Models	JA109	1915005
1990-1993	All Models	with Kysor A/C	JA2120	1914016
1990-1993	All Models	All Models	JA1085	1999009
1994-2014	All Models	with Red Dot A/C	JA1090	1999011
320				
1994-2014	All Models	with male/female O-ring; with (2) M10 metric ports	18-03783	1912020
1990-1993	All Models	All Models	JA109	1915005
1990-1993	All Models	with Kysor A/C	JA2120	1914016
1990-1993	All Models	All Models	JA1085	1999009
1994-2014	All Models	with Red Dot A/C	JA1090	1999011
325				
1995-1999	All Models	with Accumulator (Signet A/C)	18-03837, 700001, BSM319029, JC1080, P93AAA-0101-01	1999225
1999-2010	325	Accumulator with Pad mount fittings	F31-6063, 18-04171	1917008
2010-2012	325	Drier, with Pad mount fittings	F37-6002	1914015
1999-2010	325	Accumulator with Pad mount fittings	F31-6063, 18-04171	1917008
330				
1995-1999	All Models	with Accumulator (Signet A/C)	18-03837, 700001, BSM319029, JC1080, P93AAA-0101-01	1999225
1999-2010	330	Accumulator with Pad mount fittings	F31-6063, 18-04171	1917008
2010-2012	330	Drier, with Pad mount fittings	F37-6002	1914015
1999-2010	330	Accumulator with Pad mount fittings	F31-6063, 18-04171	1917008
335				
1995-1999	All Models	with Accumulator (Signet A/C)	18-03837, 700001, BSM319029, JC1080, P93AAA-0101-01	1999225
1999-2010	335	Accumulator with Pad mount fittings	F31-6063, 18-04171	1917008
2010-2012	335	Drier, with Pad mount fittings	F37-6002	1914015
1999-2010	335	Accumulator with Pad mount fittings	F31-6063, 18-04171	1917008

RECEIVER DRIERS/ACCUMULATORS

YEAR	MODEL	DESCRIPTION	OEM NO.	KYSOR NO.
340				
1995-1999	All Models	with Accumulator (Signet A/C)	18-03837, 700001, BSM319029, JC1080, P93AAA-0101-01	1999225
1999-2010	340	Accumulator with Pad mount fittings	F31-6063, 18-04171	1917008
2010-2012	340	Drier with Pad mount fittings	F37-6002	1914015
1999-2010	340	Accumulator with Pad mount fittings	F31-6063, 18-04171	1917008
357				
1993-1999	All Models	with male/female O-ring with (2) M10 metric ports	18-03783, 18-03076, 088301-00, 088301-01	1912020
1990-1993	All Models	3" Diameter 10" Drier #6 Male	18-03076, JA1300, BSM319164, 18-030761-00, 088056-01	1914013
1993-1995	All Models	3" Diameter 8" #6 Male O-ring with (2) Ports	18-03619, 088250-00	1917001
1995-2002	All Models	with Accumulator (Signet A/C)	18-03837, 700001, BSM319029, P93AAA-0101-01, JC1080	1999225
1998-2010	357	Accumulator with Pad mount fittings	F31-6063, 18-04171	1917008
1990-1993	All Models	All Models R12/R134a	18-01800	1999203
1998-2010	357	Accumulator with Pad mount fittings	F31-6063, 18-04171	1917008
1973-1986	All Models	with Kysor KA300 Roof Mount A/C	JA1900	1999226
365				
1993-1999	All Models	with male/female O-ring with (2) M10 metric ports	18-03783, 18-03076, 088301-00, 088301-01	1912020
1990-1993	All Models	3" Diameter 10" Drier #6 Male	18-03076, JA1300, BSM319164, 18-030761-00, 088056-01	1914013
1993-1995	All Models	3" Diameter 8" #6 Male O-ring with (2) Ports	18-03619, 088250-00	1917001
1995-2002	All Models	with Accumulator (Signet A/C)	18-03837, 700001, BSM319029, P93AAA-0101-01, JC1080	1999225
2009-2011	365	Sleeper, Drier with Pad mount fittings	F37-6008	1917009
2009-2011	365	Drier, with Pad mount fittings	F37-6009	1917010
1990-1993	All Models	All Models R12/R134a	18-01800	1999203
1973-1986	All Models	with Kysor KA300 Roof Mount A/C	JA1900	1999226
367				
1993-1999	All Models	with male/female O-ring with (2) M10 metric ports	18-03783, 18-03076, 088301-00, 088301-01	1912020
1990-1993	All Models	3" Diameter 10" Drier #6 Male	18-03076, JA1300, BSM319164, 18-030761-00, 088056-01	1914013
1993-1995	All Models	3" Diameter 8" #6 Male O-ring with (2) Ports	18-03619, 088250-00	1917001
1995-2002	All Models	with Accumulator (Signet A/C)	18-03837, 700001, BSM319029, P93AAA-0101-01, JC1080	1999225
2009-2011	367	Sleeper, Drier with Pad mount fittings	F37-6008	1917009
2009-2011	367	Drier, with Pad mount fittings	F37-6009	1917010
1990-1993	All Models	All Models R12/R134a	18-01800	1999203

Peterbilt

RECEIVER DRIERS/ACCUMULATORS

YEAR	MODEL	DESCRIPTION	OEM NO.	KYSOR NO.
1973-1986	All Models	with Kysor KA300 Roof Mount A/C	JA1900	1999226
375				
1993-1999	All Models	with male/female O-ring with (2) M10 metric ports	18-03783, 18-03076, 088301-00, 088301-01	1912020
1990-1993	All Models	3" Diameter 10" Drier #6 Male	18-03076, JA1300, BSM319164, 18-030761-00, 088056-01	1914013
1993-1995	All Models	3" Diameter 8" #6 Male O-ring with (2) Ports	18-03619, 088250-00	1917001
1995-2002	All Models	with Accumulator (Signet A/C)	18-03837, 700001, BSM319029, P93AAA-0101-01, JC1080	1999225
1990-1993	All Models	All Models R12/R134a	18-01800	1999203
1973-1986	All Models	with Kysor KA300 Roof Mount A/C	JA1900	1999226
377				
1993-1999	All Models	with male/female O-ring with (2) M10 metric ports	18-03783, 18-03076, 088301-00, 088301-01	1912020
1990-1993	All Models	3" Diameter 10" Drier #6 Male	18-03076, JA1300, BSM319164, 18-030761-00, 088056-01	1914013
1993-1995	All Models	3" Diameter 8" #6 Male O-ring with (2) Ports	18-03619, 088250-00	1917001
1995-2002	All Models	with Accumulator (Signet A/C)	18-03837, 700001, BSM319029, P93AAA-0101-01, JC1080	1999225
1998-2010	377	Accumulator with Pad mount fittings	F31-6063, 18-04171	1917008
1990-1993	All Models	All Models R12/R134a	18-01800	1999203
1973-1986	All Models	with Kysor KA300 Roof Mount A/C	JA1900	1999226
378				
1993-1999	All Models	with male/female O-ring with (2) M10 metric ports	18-03783, 18-03076, 088301-00, 088301-01	1912020
1990-1993	All Models	3" Diameter 10" Drier #6 Male	18-03076, JA1300, BSM319164, 18-030761-00, 088056-01	1914013
1993-1995	All Models	3" Diameter 8" #6 Male O-ring with (2) Ports	18-03619, 088250-00	1917001
1995-2002	All Models	with Accumulator (Signet A/C)	18-03837, 700001, BSM319029, P93AAA-0101-01, JC1080	1999225
1990-1993	All Models	All Models R12/R134a	18-01800	1999203
1973-1986	All Models	with Kysor KA300 Roof Mount A/C	JA1900	1999226
379				
1993-1999	All Models	with male/female O-ring with (2) M10 metric ports	18-03783, 18-03076, 088301-00, 088301-01	1912020
1990-1993	All Models	3" Diameter 10" Drier #6 Male	18-03076, JA1300, BSM319164, 18-030761-00, 088056-01	1914013
1993-1995	All Models	3" Diameter 8" #6 Male O-ring with (2) Ports	18-03619, 088250-00	1917001
1995-2002	All Models	with Accumulator (Signet A/C)	18-03837, 700001, BSM319029, P93AAA-0101-01, JC1080	1999225
1998-2010	379	Accumulator with Pad mount fittings	F31-6063, 18-04171	1917008

RECEIVER DRIERS/ACCUMULATORS

YEAR	MODEL	DESCRIPTION	OEM NO.	KYSOR NO.
1990-1993	All Models	All Models R12/R134a	18-01800	1999203
1973-1986	All Models	with Kysor KA300 Roof Mount A/C	JA1900	1999226
382				
1993-1999	All Models	with male/female O-ring with (2) M10 metric ports	18-03783, 18-03076, 088301-00, 088301-01	1912020
1990-1993	All Models	3" Diameter 10" Drier #6 Male	18-03076, JA1300, BSM319164, 18-030761-00, 088056-01	1914013
1993-1995	All Models	3" Diameter 8" #6 Male O-ring with (2) Ports	18-03619, 088250-00	1917001
1995-2002	All Models	with Accumulator (Signet A/C)	18-03837, 700001, BSM319029, P93AAA-0101-01, JC1080	1999225
2009-2014	382	Sleeper, Drier with Pad mount fittings	F37-6008	1917009
2009-2014	382	Main, Drier with Pad mount fittings	F37-6009	1917010
1990-1993	All Models	All Models R12/R134a	18-01800	1999203
1973-1986	All Models	with Kysor KA300 Roof Mount A/C	JA1900	1999226
384				
1993-1999	All Models	with male/female O-ring with (2) M10 metric ports	18-03783, 18-03076, 088301-00, 088301-01	1912020
1990-1992	All Models	3" Diameter 10" Drier #6 Male	18-03076, JA1300, BSM319164, 18-030761-00, 088056-01	1914013
1993-1995	All Models	3" Diameter 8" #6 Male O-ring with (2) Ports	18-03619, 088250-00	1917001
1995-2002	All Models	with Accumulator (Signet A/C)	18-03837, 700001, BSM319029, P93AAA-0101-01, JC1080	1999225
1998-2010	384	Accumulator with Pad mount fittings	F31-6063, 18-04171	1917008
2009-2014	384	Sleeper, Drier with Pad mount fittings	F37-6008	1917009
2009-2014	384	Main, Drier with Pad mount fittings	F37-6009	1917010
1990-1993	All Models	All Models R12/R134a	18-01800	1999203
1973-1986	All Models	with Kysor KA300 Roof Mount A/C	JA1900	1999226
385				
1993-1999	All Models	with male/female O-ring with (2) M10 metric ports	18-03783, 18-03076, 088301-00, 088301-01	1912020
1991-1993	All Models	3" Diameter 10" Drier #6 Male	18-03076, JA1300, BSM319164, 18-030761-00, 088056-01	1914013
1993-1995	All Models	3" Diameter 8" #6 Male O-ring with (2) Ports	18-03619, 088250-00	1917001
1995-2002	All Models	with Accumulator (Signet A/C)	18-03837, 700001, BSM319029, P93AAA-0101-01, JC1080	1999225
1990-1993	All Models	All Models R12/R134a	18-01800	1999203
386				
1993-1999	All Models	with male/female O-ring with (2) M10 metric ports	18-03783, 18-03076, 088301-00, 088301-01	1912020
1990-1993	All Models	3" Diameter 10" Drier #6 Male	18-03076, JA1300, BSM319164, 18-030761-00, 088056-01	1914013

Peterbilt

RECEIVER DRIERS/ACCUMULATORS

YEAR	MODEL	DESCRIPTION	OEM NO.	KYSOR NO.
1993-1995	All Models	3" Diameter 8" #6 Male O-ring with (2) Ports	18-03619, 088250-00	1917001
1995-2002	All Models	with Accumulator (Signet A/C)	18-03837, 700001, BSM319029, P93AAA-0101-01, JC1080	1999225
1998-2010	386	Accumulator with Pad mount fittings	F31-6063, 18-04171	1917008
2009-2014	386	Sleeper, Drier with Pad mount fittings	F37-6008	1917009
2009-2014	386	Main, Drier with Pad mount fittings	F37-6009	1917010
1990-1993	All Models	All Models R12/R134a	18-01800	1999203
1973-1986	All Models	with Kysor KA300 Roof Mount A/C	JA1900	1999226
387				
1993-1999	All Models	with male/female O-ring with (2) M10 metric ports	18-03783, 18-03076, 088301-00, 088301-01	1912020
1990-1993	All Models	3" Diameter 10" Drier #6 Male	18-03076, JA1300, BSM319164, 18-030761-00, 088056-01	1914013
2000-2012	387	Drier with manifold connection	F37-6000, C, JA2225	1914008
1993-1995	All Models	3" Diameter 8" #6 Male O-ring with (2) Ports	18-03619, 088250-00	1917001
1995-2002	All Models	with Accumulator (Signet A/C)	18-03837, 700001, BSM319029, P93AAA-0101-01, JC1080	1999225
1990-1993	All Models	All Models R12/R134a	18-01800	1999203
2000-2012	387	Drier with manifold connection	F37-6000,C,JA2225	1999228
1973-1986	All Models	with Kysor KA300 Roof Mount A/C	JA1900	1999226
388				
1993-1999	All Models	with male/female O-ring with (2) M10 metric ports	18-03783, 18-03076, 088301-00, 088301-01	1912020
1990-1993	All Models	3" Diameter 10" Drier #6 Male	18-03076, JA1300, BSM319164, 18-030761-00, 088056-01	1914013
1993-1995	All Models	3" Diameter 8" #6 Male O-ring with (2) Ports	18-03619, 088250-00	1917001
1995-2002	All Models	with Accumulator (Signet A/C)	18-03837, 700001, BSM319029, P93AAA-0101-01, JC1080	1999225
1998-2010	388	Accumulator with Pad mount fittings	F31-6063, 18-04171	1917008
2009-2014	388	Sleeper, Drier with Pad mount fittings	F37-6008	1917009
2009-2014	388	Main, Drier with Pad mount fittings	F37-6009	1917010
1990-1993	All Models	All Models R12/R134a	18-01800	1999203
1973-1986	All Models	with Kysor KA300 Roof Mount A/C	JA1900	1999226
389				
1993-1999	All Models	with male/female O-ring with (2) M10 metric ports	18-03783, 18-03076, 088301-00, 088301-01	1912020
1990-1993	All Models	3" Diameter 10" Drier #6 Male	18-03076, JA1300, BSM319164, 18-030761-00, 088056-01	1914013
1993-1995	All Models	3" Diameter 8" #6 Male O-ring with (2) Ports	18-03619, 088250-00	1917001
1995-2002	All Models	with Accumulator (Signet A/C)	18-03837, 700001, BSM319029, P93AAA-0101-01, JC1080	1999225

RECEIVER DRIERS/ACCUMULATORS

YEAR	MODEL	DESCRIPTION	OEM NO.	KYSOR NO.
1998-2010	389	Accumulator with Pad mount fittings	F31-6063, 18-04171	1917008
2009-2014	389	Sleeper, Drier with Pad mount fittings	F37-6008	1917009
2009-2014	389	Main, Drier with Pad mount fittings	F37-6009	1917010
1990-1993	All Models	All Models R12/R134a	18-01800	1999203
1973-1986	All Models	with Kysor KA300 Roof Mount A/C	JA1900	1999226
587				
1993-1999	All Models	with male/female O-ring with (2) M10 metric ports	18-03783, 18-03076, 088301-00, 088301-01	1912020
1990-1993	All Models	3" Diameter 10" Drier #6 Male	18-03076, JA1300, BSM319164, 18-030761-00, 088056-01	1914013
2000-2012	587	Drier with manifold connection	F37-6000, C, JA2225	1914008
1993-1995	All Models	3" Diameter 8" #6 Male O-ring with (2) Ports	18-03619, 088250-00	1917001
1995-2002	All Models	with Accumulator (Signet A/C)	18-03837, 700001, BSM319029, P93AAA-0101-01, JC1080	1999225
1990-1993	All Models	All Models R12/R134a	18-01800	1999203
2000-2012	587	Drier with manifold connection	F37-6000, C, JA2225	1999228
1973-1986	All Models	with Kysor KA300 Roof Mount A/C	JA1900	1999226
CAB OVER ENGINE 362				
1990-1993	362	2-3/4" Diameter drier with sight glass	18-02346	1999037
CAB OVER ENGINE 372				
1990-1993	372	2-3/4" Diameter drier with sight glass	18-02346	1999037
CONVENTIONAL (CLASS 8 - HIGHWAY AND VOCATIONAL)				
1973-1986	All Models	with Kysor KA300 Roof Mount A/C	JA1900	1999226
1993-1999	All Models	with male/female O-ring with (2) M10 metric ports	18-03783, 18-03076, 088301-00, 088301-01	1912020
1990-1993	All Models	3" Diameter 10" Drier #6 Male	18-03076, JA1300, BSM319164, 18-030761-00, 088056-01	1914013
1993-1995	All Models	3" Diameter 8" #6 Male O-ring with (2) Ports	18-03619, 088250-00	1917001
1995-2002	All Models	with Accumulator (Signet A/C)	18-03837, 700001, BSM319029, P93AAA-0101-01, JC1080	1999225
1990-1993	All Models	All Models R12/R134a	18-01800	1999203
CONVENTIONAL (MEDIUM DUTY, CLASS 5-6-7)				
1995-1999	All Models	with Accumulator (Signet A/C)	18-03837, 700001, BSM319029, JC1080, P93AAA-0101-01	1999225
LOW CAB FORWARD				
1994-2014	All Models	with male/female O-ring with (2) M10 metric ports	18-03783	1912020
1990-1993	All Models	All Models	JA109	1915005
1990-1993	All Models	with Kysor A/C	JA2120	1914016
1990-1993	All Models	All Models	JA1085	1999009
1994-2014	All Models	with Red Dot A/C	JA1090	1999011

Peterbilt

RELAYS

YEAR	MODEL	DESCRIPTION	OEM NO.	KYSOR NO.
CHASSIS AND CONVENTIONAL				
All	All Models	5 Terminal with Diode 40/30 amp 12V	650731BSM	2099002
1990-2014	All Models	with Mini Relay with 5 Terminal, 30 amp 12V	652420BSM, CB1115, 221568	2099003
All	All Models	Mini Relay (24V)	650690	2099023
COE				
All	All Models	5 Terminal with Diode 40/30 amp 12V	650731BSM	2099002
1990-2014	All Models	with Mini Relay with 5 Terminal, 30 amp 12V	652420BSM, CB1115, 221568	2099003
All	All Models	Mini Relay (24V)	650690	2099023
COE, CHASIS & CONVENTIONAL				
1986-2014	All Models	with Mini Relay with 5 terminals, 30 amp 12V	652420BSM, CB1115, 221568	2099013
All	All Models	5 terminal with Diode 40/30 amp 12V	650731BSM	2010009
All	All Models	Mini Relay (24V)	650690	2099009

RESISTORS

YEAR	MODEL	DESCRIPTION	OEM NO.	KYSOR NO.
COE, CHASIS & CONVENTIONAL				
1995-2014	All Models	with Bergstrom main & Sleeper Unit; 4 speed 4 terminal	650475BSM, CA1070	2017001
1994-2014	All Models	with Signet main & Sleeper Unit (4 terminal)	5X010040	2017002
All	All Models	"P" suffix designates Peterbilt Style	P93CAA3100-01S	2017002
1995-2009	All Models	with Bergstrom 3 speed, 3 terminal	650179, CA1035	2099004
1987-2000	All Models	with Red Dot A/C 3 terminal	RD5-3647-0, CA1000, BSM321060	2099005
1991-1996	All Models	with Bergstrom Main Unit	CA1035	2099004
1973-1996	All Models	with Kysor A/C, (3 speed 3 terminal)	220990, CA1010	2099006

SWITCHES - BLOWER

YEAR	MODEL	DESCRIPTION	OEM NO.	KYSOR NO.
ALL OTHER MODELS				
1996-2007	All Models	Rocker Switch SPST	CCH33P1	2217004
All	All Models	Cab Control - Potentiometer (female connector)	650465BSM, ACH50P1	2114007
CHASSIS AND CONVENTIONAL				
1996-2007	All Models	Rocker Switch SPST	CCH33P1	2117004
1990-1994	All Models	Blower Switch (off-on-on) 5 Terminal	BSM322005, RD5-4694-0, INM5D235, BA1205	2199008
All	All Models	Toggle switch (SPST, 3 Terminals)	BA1305	2199009
All	All Models	Fan Switch (rotary, 5 Terminal)	BA1020, BA1190, 1-1019Q, 1-2968Q	2199027
COE				
1996-2007	All Models	Rocker Switch SPST	CCH33P1	2117004

SWITCHES - BLOWER

YEAR	MODEL	DESCRIPTION	OEM NO.	KYSOR NO.
1990-1994	All Models	Blower Switch (off-on-on) 5 Terminal	BSM322005, RD5-4694-0, INM5D235, BA1205	2199008
All	All Models	Toggle switch(SPST, 3 Terminals)	BA1305	2199009
All	All Models	Fan Switch (rotary, 5 Terminal)	BA1020, BA1190, 1-1019Q, 1-2968Q	2199027
COE, CHASIS & CONVENTIONAL				
1987-1994	All Models	Blower Switch (off-on-on) 5 Terminal	BSM322005, RD5-4694-0, INM5D235, BA1205	2199008
All	All Models	Fan Switch (rotary, 5 terminal)	BA1020, BA1190, 1-1019Q, 1-2968Q	2199005
1973-1986	COE	Bunk Switch (4 terminal)	221030, BE1000, 221030, BE1000	2199104
1977-1986	Conventional	On-Off Switch (toggle, 4 terminal)	221181KB, BA1180, 1-6335Q	2199010
1973-1986	Conventional	Rocker Switch (DPDT 5 terminal)	BA1260	2199023
All	All Models	Toggle Switch (SPST, 3 terminal)	BA1305	2199009

SWITCHES - PRESSURE

YEAR	MODEL	DESCRIPTION	OEM NO.	KYSOR NO.
357				
1990-2000	357	Low Pressure – Normally Open	20PS39-10, 20PS39-40, 18-03285, RD5-6395-0, BB1005	2299010
375				
1990-2000	375	Low Pressure – Normally Open	20PS39-10, 20PS39-40, 18-03285, RD5-6395-0, BB1005	2299010
377				
1990-2000	377	Low Pressure – Normally Open	20PS39-10, 20PS39-40, 18-03285, RD5-6395-0, BB1005	2299010
378				
1990-2000	378	Low Pressure – Normally Open	20PS39-10, 20PS39-40, 18-03285, RD5-6395-0, BB1005	2299010
379				
1990-2000	379	Low Pressure – Normally Open	20PS39-10, 20PS39-40, 18-03285, RD5-6395-0, BB1005	2299010
387				
1990-2006	387	Low Pressure – Normally Open, M12 – 2 pin, opens 30psi / closes 13psi (note: for Pigtail use #2601402)	650446BSM	2299101
ALL OTHER MODELS				
2008-2014	All Models	High Pressure – Normally Closed, 250/100 psi, 1/4"Female	404192BSM	2213003
1999-2014	All Models	High Pressure – Normally Closed, M10 (Bergstrom) (note: for Pigtail use #2601402)	650697BSM	2214002
2006-2014	All Models	Low Pressure – Normally Open, M12, 2 pin (green)	650442BSM, 652578BSM	2214003

Peterbilt

SWITCHES - PRESSURE

YEAR	MODEL	DESCRIPTION	OEM NO.	KYSOR NO.
1995-2012	All Models	High Pressure – Normally Closed, M10 Female (purple) (note: for Pigtail use #2601402)	P93CAA-3605-1, 18-03835	2217001
1995-2012	All Models	Low Pressure – Normally Open, M12 (Signet A/C) (beige) (note: for Pigtail use #2601402)	P93CAA-3604-1, 18-03834	2217002
1995-2014	All Models	Fan Over ride – Normally Closed (orange) opens 310psi / closes 240psi (note: for Pigtail use #2601402)	79PSL3-4, 650469BSM	2217003
All	All Models	Fan Over ride – Trinary™ Normally Open, Female 1/4"	RD5-6012-3, BC1000, 865700BSM, 86570P	2299109
All	All Models	Fan Override – Trinary™ Normally Open, Male 3/8-24"	RD5-4585-0, BC1005	2299109
All	All Models	Low Pressure – Normally Open, 2 Spade (Drier Mount)	735203-1, BB1000	2299005
All	All Models	Fan Over ride – Trinary™ Normally Closed Female 1/4"	RD5-4625-0	2299008
1995-2014	All Models	Fan Over ride - Normally Open, M10, (grey); opens 200psi / closes 270psi (note: for Pigtail use #1546)	P93CAA-3606-1, 18-03836	2213013
1995-2014	All Models	Fan Over ride – Normally Closed (orange) opens 310psi / closes 240psi (note: for Pigtail use #1559)	79PSL3-4, 650469BSM	2217003
All	All Models	Fan Override – Trinary™ Normally Open, Male 3/8-24" (note: for Pigtail use #1546)	RD5-4585-0, BC1005	2299109
All	All Models	Fan Override – Trinary™ Normally closed, female 1/4"	RD5-4625-0	2299008
All	All Models	Fan Over ride – Trinary™ Normally Open, Female 1/4"	RD5-6012-3, BC1000, 865700BSM, 86570P	2299109
2008-2014	All Models	High Pressure - Normally Closed, 250/100 psi 1/4" Female	404192BSM	2213001
1995-2012	All Models	High Pressure – Normally Closed, M10 Female (purple) (note: for Pigtail use #1546)	P93CAA-3605-1, 18-03835, RD5-8220-0	2217001
2008-2013	All Models	Low Pressure - M12 Thread	P27-6142	2217004
2006-2014	All Models	Low Pressure - Normally Open, M12 (2 pin) uses #1644	5652578	2214003
1995-2012	All Models	Low Pressure – Normally Open, M12 (Signet A/C) (beige) (note: for Pigtail use #1546)	P93CAA-3604-1, 18-03834, RD5-8219-0	2217002
All	All Models	Low Pressure – Normally Open, 2 Spade (Drier Mount)	735203-1, BB1000	2299005

SWITCHES - THERMOSTATIC

YEAR	MODEL	DESCRIPTION	OEM NO.	KYSOR NO.
310				
1979-1986	310	All Models with Red Dot A/C	RD4427-24, BD1065, BD1075	2399005
320				
2012-2014	320	All with preset type 30" Capillary Tube	BD14300	2399006
2012-2014	320	All with preset type 30" Capillary Tube	BD14300	2318004
1987-2014	320	All with preset type 24" Capillary Tube	589490	2399001

SWITCHES - THERMOSTATIC

YEAR	MODEL	DESCRIPTION	OEM NO.	KYSOR NO.
357				
1999-2014	All Models	All with preset type 12" Capillary Tube	650163, BD1355	2399009
1987-2000	357	All Models with preset type	1-4183Q, 404145, BD1095, BD1105, BSM323010, HV33061, RD5-4531-24	2399001
1977-1986	357	All with Kysor A/C with rotary knob control	404028, BD1015, BD1330, 1-1844Q	2399020
375				
1977-1986	375	All with Kysor A/C with rotary knob control	404028, BD1015, BD1330, 1-1844Q	2399020
377				
1999-2014	All Models	All with preset type 12" Capillary Tube	650163, BD1355	2399009
1987-2000	377	All Models with preset type	1-4183Q, 404145, BD1095, BD1105, BSM323010, HV33061, RD5-4531-24	2399001
1973-1976	All Models	Except above with rotary knob control	404082, BD1035	2399019
378				
1999-2014	All Models	All with preset type 12" Capillary Tube	650163, BD1355	2399009
1987-2000	378	All Models with preset type	1-4183Q, 404145, BD1095, BD1105, BSM323010, HV33061, RD5-4531-24	2399001
1973-1976	All Models	Except above with rotary knob control	404082, BD1035	2399019
379				
1999-2014	All Models	All with preset type 12" Capillary Tube	650163, BD1355	2399009
1987-2000	379	All Models with preset type	1-4183Q, 404145, BD1095, BD1105, BSM323010, HV33061, RD5-4531-24	2399001
1973-1976	All Models	Except above with rotary knob control	404082, BD1035	2399019
384				
1999-2014	All Models	All with preset type 12" Capillary Tube	650163, BD1355	2399009
1973-1976	All Models	Except above with rotary knob control	404082, BD1035	2399019
385				
1999-2014	All Models	All with preset type 12" Capillary Tube	650163, BD1355	2399009
387				
1999-2014	All Models	All with preset type 12" Capillary Tube	650163, BD1355	2399009
1973-1976	All Models	Except above with rotary knob control	404082, BD1035	2399019
388				
1999-2014	All Models	All with preset type 12" Capillary Tube	650163, BD1355	2399009
1973-1976	All Models	Except above with rotary knob control	404082, BD1035	2399019
389				
1999-2014	All Models	All with preset type 12" Capillary Tube	650163, BD1355	2399009
1973-1976	All Models	Except above with rotary knob control	404082, BD1035	2399019
587				
1999-2014	All Models	All with preset type 12" Capillary Tube	650163, BD1355	2399009
1973-1976	All Models	Except above with rotary knob control	404082, BD1035	2399019
CAB OVER ENGINE 362				
1988-2002	362	All Models with preset thermostat	BD1105	2399001

Peterbilt

SWITCHES - THERMOSTATIC

YEAR	MODEL	DESCRIPTION	OEM NO.	KYSOR NO.
1991-1994	362	All Models with rotary thermostat with Bergstrom	BA1345	2399020
1977-1986	362	All Models with Kysor or Evans A/C	AM81019, HV33061, 404157, BD1095	2399001
CAB OVER ENGINE 372				
1988-2002	372	All Models with preset thermostat	BD1105	2399001
1991-1994	372	All Models with rotary thermostat with Bergstrom	BA1345	2399020
CONVENTIONAL				
1999-2014	All Models	All with preset type 12" Capillary Tube	650163, BD1355	2399009
1987-2000	357-379	All Models with preset type	1-4183Q, 404145, BD1095, BD1105, BSM323010, HV33061, RD5-4531-24	2399001
1995-1999	Conv	with Signet OE	P93CAA4230-02S	2399001
1973-1976	All Models	Except above with rotary knob control	404082, BD1035	2399019

WATER VALVES

YEAR	MODEL	DESCRIPTION	OEM NO.	KYSOR NO.
COE, CHASIS & CONVENTIONAL				
2000-2014	All Models	with 4 pin Actuator, (label #B3570874A)	MA1640	2115003
2000-2014	All Models	with 4 pin Actuator, (Main) with "C" Label Red	P93CAB0201-01S	2417002
2000-2014	All Models	with 4 pin Actuator (label #A34111573A) 120"	651258	2118004
2005-2012	All Models	with 5 pin Actuator with OE	651291	2199067
1996-2011	All Models	with main & sleeper with long life actuator type "red" 4-pin "red" Label ID A3581404A	650341, 651259, MA1430	2117005
2008-2011	T270 - T800	Heater Vlv Cable Operated, pull-to-close	870084, MA1695	2414007
2008-2011	All Models	Elec. Operated, 4 Pin, 5/8" Hose End	868505, MA1685	2414008
2005-2011	All Models	Cable Operated, 5 Pin with 90 degree Fitting	869948	2199067
1999-2009	387	Mode Actuator	651258, MA1360	2199069
1987-2000	357,375-379	All with cable operation	RD5-5495-0, MA1205	2417001
1983-2000	All Models	All with cable operation valve with Kysor valve	173096	2499108
1983-2000	All Models	All with cable operation valve with Kysor valve	MA1010	2499121

AIR FILTERS

YEAR	MODEL	DESCRIPTION	OEM NO.	KYSOR NO.
ALL OTHER MODELS				
2008-2013	All Models	with 10" x 9-7/8" x 1"	3543-H963	3115001
VN SERIES				
1998-2002	VN Series	All with 12-1/2" x 8-1/2" x 3/4" (under bed inside sleeper compartment)	BOA80-319-00-149, 3948712	3118002
2003-2014	VN Series	All with 12" x 9" x 1-1/4" (under hood)	20435801, VO0201P	3118003

BLOWER MOTORS

YEAR	MODEL	DESCRIPTION	OEM NO.	KYSOR NO.
ALL OTHER MODELS				
All	All Models	All Models	3949265	1017005
All	All Models	All Models	3949266	1099047
All	All Models	All Models	892106	1014002
All	All Models	All Models	3949388	1015006
All	All Models	All Models	3949265	1017004
All	All Models	All Models	3949261	1099003
All	All Models	All Models	1707646	1099006
All	All Models	All Models	3918242	1099007
All	All Models	All Models	3949262, 8911949	1099012
All	All Models	All Models	3949266	1099026
All	All Models	All Models	60009-5014	1099048
FE				
1990-1993	FE Series	All Models with Kysor unit	176118	1099015
VH				
2014	All Models	Front and Auxiliary, with blend air system	BOA94350, BOAD8587, 85104207	1012016
VHD SERIES				
2009	All Models	All Main Units with Behr unit, with wheel	BOA80-415-00-769, 3946686, 2809-841-034	1018006
2010-2014	All Models	with Behr - Main Unit, Double Blower Assembly, 12V,	85120276	1018009
VN SERIES				
2010-2014	All Models	with Behr - Main Unit, Double Blower Assembly, 12V,	85120276	1018009
2014	All Models	Front and Auxiliary with blend air system	BOA94350, BOAD8587, 85104207	1012016
1996-1998	VN 420,610 Series	All sleepers with Bergstrom unit – stud mount motor	3947416, BSM301101, 203095, PF26137Q	1018003
2009	All Models	All Main Units with Behr unit with wheel	BOA80-415-00-769, 3946686, 2809-841-034	1018006
1996-1998	VN 420,610,770	All sleeper Models with Behr unit, CW, with wheel	3949102, BOA85-440-51-009	1099063
1997-2003	VN 770 Series	All sleepers with Behr Unit, CCW, motor with wheel	3949886, BSM301101, 203095, PF26137Q	1099064
VT SERIES				
2014	All Models	Front and Auxiliary with blend air system	BOA94350, BOAD8587, 85104207	1012016

Volvo**BLOWER MOTORS**

YEAR	MODEL	DESCRIPTION	OEM NO.	KYSOR NO.
2009	All Models	All Main Units with Behr unit with wheel	BOA80-415-00-769, 3946686, 2809-841-034	1018006
2010-2014	All Models	with Behr - Main Unit, Double Blower Assembly, 12V	85120276	1018009
WXLL				
1988-2002	WX Dual	with Bosch Motor (single shaft), Main Unit (complete assembly with plenum and wheels)	203038, 60009-5025	1018002
1999-2000	WH, WX, WXR	All Models with Bergstrom unit	3945237	1099025
XPEDITOR				
1988-2002	Xpeditor	with Bosch Motor (single shaft), Main Unit (complete assembly with plenum and wheels)	203038, 60009-5025	1018002

BLOWER WHEELS

YEAR	MODEL	DESCRIPTION	OEM NO.	KYSOR NO.
ALL OTHER MODELS				
All	All Models	All Models	60010-5002	1199020
All	All Models	All Models	3949274	1199008
All	All Models	All Models	60010-5014	1199009
All	All Models	All Models	60010-5001	1199010
FE				
1990-1991	FE Series	with Kysor, Classic Six A/C	260680	1199009
VN SERIES				
1997-2006	VN Series	Sleeper, 5-23/32" Diameter , CW, plastic	BSM302011, 3947421	1118001
XPEDITOR				
1994-2002	Xpeditor	All with Bergstrom (Main Unit), 4-1/2" Diameter , plastic	589540	1199007

CLUTCHES

YEAR	MODEL	DESCRIPTION	OEM NO.	KYSOR NO.
ALL OTHER MODELS WITH SANDEN - STYLE COMPRESSOR				
All	SD7H15HD	2 groove, 125 mm, 4.9" Diameter, 2 wires, keyed shaft	4695-9931, 4896-9931, 85105256	1399068
ALL OTHER MODELS WITH SELTEC / VALEO - STYLE COMPRESSOR				
All	TM15, DKS15CH	TM15, DKS15CH 1 variable groove, 158mm, 6-1/4" Diameter (3 eye type)	511587, 511870, 524-19719	1399014
ALL OTHER MODELS WITH YORK/T/CCI - STYLE COMPRESSOR				
All	All Models	2 groove, 6" Diameter , without diode, Standard Duty	61103-0019, 332639	1313005
All	All Models	2 groove, 6" Diameter , with diode Weatherpack, Heavy Duty	024-21590, 61103-0017, V1118116, 10884, 501939	1380001
All	All Models	2 groove, 7" Diameter , Standard Duty, 12V	31160-7760, 332334	1399004
All	All Models	2 groove 6" Diameter with diode Weatherpack Heavy Duty	024-21590, 61103-0017, V1118116, 10884, 501939	1380001

COMPRESSORS

YEAR	MODEL	DESCRIPTION	OEM NO.	KYSOR NO.
ALL OTHER MODELS WITH SANDEN - STYLE COMPRESSOR				
All	All Models	with 2 groove 125mm 4.9" (C3126,M11 engine) (4694)	8080060	1410029
All	All Models	with 2 groove 125mm 4.9" (C3126, M11 engine) (4779)	20370291	1401128
All	All Models	with 2 groove 125mm 4.9" (Cummins N14, M11) (4627)	8164872	1401128
All	All Models	with 2 groove 125mm 4.9" C3126, M11 Engine (4896)	85104468	1401383
All	All Models	with 2 groove 130mm 5.0" Diameter Ear mount with Vertical O-ring (4694)	8080060	1401383
All	All Models	with 2 groove 132mm 5.1" 60 Engine with WV Head (4715)	8082269	1410024
All	All Models	with 2 groove 132mm 5.1" 60 Engine with WV Head (4778)	20370290	1412011
All	All Models	with 2 groove 132mm 5.1" 60 Engine with WV Head (4890)	85104593	1410024
All	All Models	with 2 groove 132mm 5.1" C3126, M11 Engine (4717,4777,4893)	8082270, 2521475, 20370289, 85104592	1410021
All	All Models	with 2 groove 135mm 5-1/4"Diameter Ear mount with vertical O-ring (4627)	8164872	1410014
All	All Models	2 groove, 132mm, direct mount, 4.9" Diameter (Series 60), JD Head, 12V, Note: Genuine Sanden to Replace OE Que Style	4626, 8022507, 85123230, 20370292	1401107
All	All Models	2 groove, 132mm, 5-1/4" Diameter , Ear mount, with vertical O-ring, 12V, (Cummins N14, M11 engine)	4627, 8164872	1401108
All	All Models	2 groove, 125mm, 4.9" (C3126, M11 engine), 12V	4779, 20370291, 46327, 8164872	1401108
All	All Models	2 groove, 132mm, 5.1", 60 engine with WV Head	4715, 4890, 85104593, 85123230, 20370292, 8082269	1401379
All	All Models	2 groove, 125mm, 5-1/4" Diameter , Ear mount, 1 wire, with vertical O-ring, 12V	4639, 4647, SD4639, 8177090	1401115
All	All Models	2 groove, 125mm, 4.9" Diameter , Ear mount, with vertical O-ring, (C3126, M11 engine), 12V	4694, 8080060, 4896, 85104468	1401122
All	All Models	2 groove, 135mm, direct mount, with O-ring, 12V	4699, 4894, 8080059, 85104467	1401125
All	All Models	2 groove, 132mm, 5.1", (60 Engine) with WV Head	4778, 20370290	1401201
All	All Models	2 groove, 125mm, Ear mount, 2 wires, 12V	7803, 15653237	1401202
All	All Models	with 6 groove 125mm, Direct Mount, 2 wires (4883)	SD4883	1410028
All	All Models	with 6 groove 125mm (Cummins 600 15L) (4757,4891)	8088112, 20501069	1401427
All	All Models	with 6 groove 125mm (Cummins 600 15L) (SHDC4085)	4085	1412013
All	All Models	with 6 groove 125mm, Direct Mount, 1 wire (4027)	SD4027	1412007
All	All Models	6 groove, 125 mm (Cummins 600 15L) (SHDC4085), See Volvo Factory Service Bulletin# FSB874-0492	4085	1401443
All	All Models	6 groove, 125 mm, direct mount, 1 wire	4027, SD4027	1401411
All	All Models	6 groove, 125mm, direct mount, 2 wires	4883, SD4883	1401397

Volvo

COMPRESSORS

YEAR	MODEL	DESCRIPTION	OEM NO.	KYSOR NO.
All	All Models	with 7 groove 130mm, Direct Mount, 2 wires (4332)	19130042	1410086
All	All Models	7 groove, 130mm, direct mount, 2 wires	4332, 19130042	1401401
All	All Models	with 8 groove 119mm Direct Mount 1 wire (4028)	SD4028	1410075
All	All Models	with 8 groove 119mm 4.6" Diameter (4660)	8177089	1401503
All	All Models	with 8 groove 130mm, Direct Mount, 1 wire (4823)	20395054	1412005
All	All Models	with 8 groove 130mm, Direct Mount, 2 wires (4493)	20388777	1401444
All	All Models	with 8 groove 130mm, SPRHD Direct Mount, 2 wires (4286)	SD4286	1412011
All	All Models	with 8 groove 130mm, Ear Mount, 1 wire (4700)	8080058, 8177089	1410020
All	All Models	with 8 groove 180mm, Direct Mount, 2 wires 12V (4326)	20721587	1401520
All	All Models	8 groove, 119mm, direct mount, 1 wire	4028, SD4028	1401408
All	All Models	8 groove, 180 mm, direct mount, 2 wires, 12V	4326, 20721587	1401437
All	All Models	8 groove, 130mm, Ear mount, 2 wires	4490, 8082268, 2521493	1401400
All	All Models	8 groove, 130mm, Ear mount, 1 wire	4700, 8080058, 8177089	1401344
All	All Models	8 groove, 130mm, direct mount, 2 wires, 12V	4493, 20388777	1401362
All	All Models	8 groove, 119mm, 4.6" Diameter	4660, 8177089	1401373
All	All Models	8 groove, 130mm, direct mount, 1 wire	4823, 20395054	1401378
All	All Models	8 groove, 130mm, Ear mount, 2 wires	4659, 8142556	1410083
All	All Models	8 groove, 119mm, Ear mount, MD Head #4672, 12V	4672, 85100867	1401118
VHD SERIES				
2011-2014	VHD	with 8 groove 130mm, Direct Mount, 2 wires (4493)	20388777	1412011
2011-2014	VHD	with 8 groove 130mm, Direct Mount, 2 wires (4286)	SD4286	1401444
2008-2014	VHD	with 8 groove 180mm, Direct Mount, 2 wires 12V (4326)	20721587	1401520
2002-2010	VHD	with 6 groove 125mm (Cummins 600 15L) (4757,4891)	8088112	1401427
2001-2003	VHD	with 2 groove 132mm 5.1" 60 Engine with WV Head (4890)	85104593	1410024
1999-2002	VHD	with 2 groove 132mm, C3126, M11 (4717,4777,4893)	8082270	1410021
2011-2014	VHD	8 groove, 130mm, direct mount, 2 wires, 12V	4493	1401362
2001-2003	VHD	2 groove, 132 mm, 5.1", 60 engine with WV Head	4890	1401379
2008-2014	VHD	8 groove, 180 mm, direct mount, 2 wires, 12V	4326	1401437
VN SERIES				
2011-2014	VN	with 8 groove 130mm, Direct Mount, 2 wires (4493)	20388777	1412011
2011-2014	VN	with 8 groove 130mm, Direct Mount, 2 wires (4286)	SD4286	1401444

COMPRESSORS

YEAR	MODEL	DESCRIPTION	OEM NO.	KYSOR NO.
2008-2014	VN	with 8 groove 180mm, Direct Mount, 2 wires 12V (4326)	20721587	1401520
2002-2010	VN	with 6 groove 125mm (Cummins 600 15L) (4757,4891)	8088112	1401427
2001-2003	VN	with 2 groove 132mm 5.1" 60 Engine with WV Head (4890)	85104593	1410024
1999-2002	VN	with 2 groove 132mm, C3126, M11 (4717, 4777, 4893)	8082270	1410021
2011-2014	VN	8 groove, 130mm, direct mount, 2 wires, 12V	4493	1401362
2001-2003	VN	2 groove, 132 mm, 5.1", 60 engine with WV Head	4890	1401379
2008-2014	VN	8 groove, 180 mm, direct mount, 2 wires, 12V	4326	1401437
ALL OTHER MODELS WITH YORK/T/CCI - STYLE COMPRESSOR				
All	All Models	with Tube O-ring fittings	ET210L-25150	1402002

CONDENSERS

YEAR	MODEL	DESCRIPTION	OEM NO.	KYSOR NO.
ALL OTHER MODELS				
1990-1996	All Volvo White	with R12 system	61203-0029, 61203-3206, 61203-3207, S1G2-33878VW, S1G2-33875VO	1518006
1994-2000	All Volvo White	14-1/2" x 26-1/4"	8022509	1518008
1994-1999	All Volvo White	15" x 26-1/4"	8164786, 1210317	1518009
1999-2004	All Models	16" x 25-5/8" x 3/4" MIO fittings	8157100	1518012
FE				
1990-1993	FE Series	All FE Models with Kysor Class Six A/C	401043	1575005
RBII				
1976-1986	RBII	All Models with serpentine type condenser (generic type)	61203-3001	1599005
RBXI				
1976-1986	RXII	All Models with serpentine type condenser (generic type)	61203-3001	1599005
VHD SERIES				
2007-2014	All Models	All with 31-1/2" x 16-1/4" Aluminum (Pad mount)	8084348, 20461065, 3092918	1518010
1996-2006	All Models	All with 14" x 26" fin area, 28-3/4" bracket to bracket	8074693	1518011
VN SERIES				
2007-2014	All Models	All with 31-1/2" x 16-1/4" Aluminum (Pad mount)	8084348, 20461065, 3092918	1518010
1996-2006	All Models	All with 14" x 26" fin area, 28-3/4" bracket to bracket	8074693	1518011
VT SERIES				
2007-2014	All Models	All with 31-1/2" x 16-1/4" Aluminum (Pad mount)	8084348, 20461065, 3092918	1518010
1996-2006	All Models	All with 14" x 26" fin area, 28-3/4" bracket to bracket	8074693	1518011

Volvo**CONDENSERS**

YEAR	MODEL	DESCRIPTION	OEM NO.	KYSOR NO.
WFL				
1975-1986	WFL	All Models with serpentine type cond. (O-ring type)	61203-3001	1599005

EVAPORATORS

YEAR	MODEL	DESCRIPTION	OEM NO.	KYSOR NO.
ALL OTHER MODELS				
All	All Models	with externally equalized valve (O-ring)	A22-14423-2, 60012-5007	1813001
All	All Models	with internally equalized valve (Flare)	A22-14420-1	1813002
VHD SERIES				
2003-2009	VHD	Main Cab, Behr Unit	20443846, BOAA4222, BOA93246	1618011
2010-2014	VHD	Main Cab, Behr Unit	85120282	1618012
VN SERIES				
1996-1998	VN Ser. 420, 610	Bunk evaporator (Bergstrom A/C)	BSM151331, 80-377-00-089, 3949257	1613003
1996-2001	VN 420, 610	All Models with Bergstrom evaporator (sleeper)	BSM307310, 3947415	1618005
2003-2009	VN	Main Cab, Behr Unit	20443846, BOAA4222, BOA93246	1618011
2010-2014	VN	Main Cab, Behr Unit	85120282	1618012
WCA				
1990-1998	WCA	All main evaporators with Bergstrom evaporator	3916676, 868333, 3915965, 151326	1618002
WG				
1990-1998	WG	All main evaporators with Bergstrom evaporator	3916676, 868333, 3915965, 151326	1618002
WIA				
2000-2002	WIA	Bunk evaporator	BOA80-377-00-089	1613003
1990-1998	WIA	All main evaporators with Bergstrom evaporator	3916676, 868333, 3915965, 151326	1618002
WX				
1990-2000	WX	All Models with Bergstrom evaporator	BSM307285, 3916676, 868333, 3915965, 151326	1618002

EXPANSION VALVES AND ORIFICE TUBES

YEAR	MODEL	DESCRIPTION	OEM NO.	KYSOR NO.
ALL OTHER MODELS				
All	All Models	with Sleeper; Solenoid for Sleeper Cab	RD4188-0, 176285, 176286	1899020
All	All Models	with externally equalized valve (O-ring)	60012-5002	1875003
VHD SERIES				
1996-2002	All Models	Block type valve with Slimline fittings with equalizer bypass	3946673	1899041
2010-2014	All Models	All Models with Behr Sleeper	85104197	1813014
2003-2010	All Models	All Models with block type valve	20443850, BOAA4931, BOA73079	1818006

EXPANSION VALVES AND ORIFICE TUBES

YEAR	MODEL	DESCRIPTION	OEM NO.	KYSOR NO.
2010-2014	All Models	All Models with Behr Main Unit	85120289, BOAV5778001	1818008
2010-2014	All Models	All Models with Behr Sleeper	85104197	1818007
VN SERIES				
2010-2014	All Models	All Models with Behr Sleeper	85104197	1818007
1996-2002	All Models	Block type valve with Slimline fittings with equalizer bypass	3946673	1899041
2010-2014	All Models	All Models with Behr Sleeper	85104197	1813014
2003-2010	All Models	All Models with block type valve	20443850, BOAA4931, BOA73079	1818006
2010-2014	All Models	All Models with Behr Main Unit	85120289, BOAV5778001	1818008
VT SERIES				
2010-2014	All Models	All Models with Behr Sleeper	85104197	1818007
2010-2014	All Models	All Models with Behr Sleeper	85104197	1813014
2003-2010	All Models	All Models with block type valve	20443850, BOAA4931, BOA73079	1818006
2010-2014	All Models	All Models with Behr Main Unit	85120289, BOAV5778001	1818008

HEATER CORES

YEAR	MODEL	DESCRIPTION	OEM NO.	KYSOR NO.
VHD SERIES				
2010-2014	All Models	All (Main cab) 14-3/4" x 7" x 1-1/4"	85120277	1718009
VN SERIES				
1996-2002	VN 420, 610, 770	All Models with Main Unit	BOA80-554-00-009, 3946674	1718006
2010-2014	All Models	All (Main cab) 14-3/4" x 7" x 1-1/4"	85120277	1718009
VT SERIES				
2010-2014	All Models	All (Main cab) 14-3/4" x 7" x 1-1/4"	85120277	1718009

RECEIVER DRIERS/ACCUMULATORS

YEAR	MODEL	DESCRIPTION	OEM NO.	KYSOR NO.
ALL OTHER MODELS				
All	All Models	All Models with O-ring fitting with MI	8025531, 61510-0008	1918008
All	All Models	All Models	61510-0001, 7077922	1999007
All	All Models	All Models	3441124, 61510-0006	1999009
All	All Models	All Models	564252	1999029
FE				
1990-1992	FE Series	All Models with Kysor A/C	402562	1999005
RBII				
1990-1992	RBII	All Models	61510-0006	1918008
RC				
1990-1992	RC	All Models	61510-0006	1919001
RCII				
1990-1992	RCII	All Models	61510-0006	1919001

Volvo**RECEIVER DRIERS/ACCUMULATORS**

YEAR	MODEL	DESCRIPTION	OEM NO.	KYSOR NO.
RXII				
1990-1992	RX	All Models	61510-0006	1919001
VHD SERIES				
1996-2000	VHD	All Models (straight fittings)	20407203	1918009
1998-2014	All Models	All Models with O-ring fitting with MI	20447319, 8086753, 088485-01, 088485-02	1918008
All	All Models	All Models (90° fittings)	20407205, 088492-01	1918004
VN SERIES				
1998-2014	All Models	All Models with O-ring fitting with MI	20447319, 8086753, 088485-01, 088485-02	1918008
1996-2000	VN	All Models (straight fittings)	20407203	1918009
All	All Models	All Models (90° fittings)	20407205, 088492-01	1918004
VT SERIES				
1998-2014	All Models	All Models with O-ring fitting with MI	20447319, 8086753, 088485-01, 088485-02	1918008
1996-2000	VT	All Models (straight fittings)	20407203	1918009
All	All Models	All Models (90° fittings)	20407205, 088492-01	1918004
WG				
1990-2006	WG	All Models with O-ring fitting with MI	20447205, 8025531, 088491-01, 61510-0008	1918008
WH				
1990-1998	WH	All Models with O-ring fitting with MI	61510-0008	1918008
WIA				
1990-2006	WIA	All Models with O-ring fitting with MI	20447205, 8025531, 088491-01, 61510-0008	1918008
WX				
1990-1998	WX, WX Dual	All Models with O-ring fitting with MI	61510-0008	1918008
WXLL				
1999-2000	WXLL	All Models with O-ring fitting with MI	8025531	1918008
XPEDITOR				
1999-2000	Xpeditor	All Models with O-ring fitting with MI	8025531	1918008

RELAYS

YEAR	MODEL	DESCRIPTION	OEM NO.	KYSOR NO.
ALL OTHER MODELS				
All	All Models	40/30 amp., 5 terminals, with diode, 12V	BOA80-945-00-079, 176594, 3946682	2099002

RESISTORS

YEAR	MODEL	DESCRIPTION	OEM NO.	KYSOR NO.
ALL OTHER MODELS				
All	All Models	40/30 amp., 5 terminals, with diode, 12V	BOA80-945-00-079, 176594, 3946682	2099002
All	All Models	All Volvo - White with resistor	60057-5005	2099006
All	All Models	All Volvo White, with resistor	V1091071	2012006

RESISTORS

YEAR	MODEL	DESCRIPTION	OEM NO.	KYSOR NO.
All	All Models	Resistor	20443826, BOA91592	2018006
1990-2000	All Models	All Volvo White, 3 speeds, 3 terminals (Re-use resistor shield)	V1118410, V2124241, V313119, V3134241, 868079	2099004
All	All Models	All Volvo White, with resistor	V1697520	2099005
All	All Models	All Volvo White, with resistor	60057-5005	2099006
VN SERIES				
1996-2006	VN Series 420, 610	All with Sleeper Unit; 3 speed, 3 terminals	650179	2099004

SWITCHES - BLOWER

YEAR	MODEL	DESCRIPTION	OEM NO.	KYSOR NO.
ALL OTHER MODELS				
1984-1994	All Models	Volvo White toggle switch	60018-5015	2199007
1990-1994	All Models	Volvo White toggle switch	60018-5015	2112002
1990-1993	All Models	Volvo White	60018-500	2117001
1990-2000	All Models	with Bergstrom 2 terminals, Rocker	V1118424, 650088	2118002
COE				
1990-1998	All Models	3 speeds, 5 terminals	60018-0002, 8179834, 3081373	2118001
CONVENTIONAL				
1990-1993	All Models	3 speeds, 5 terminals	60018-0002	2118001
1986-1992	All Models	with 3 speed, 5 terminal 20 amp - Universal Type 12-24V	V11493	2199025
N				
1986-1992	All Models	with 3 speed, 5 terminal 20 amp - Universal Type 12-24V	V11493	2199025
1990-1993	All Models	3 speeds, 5 terminals	60018-0002	2118001
RBII				
1986-1992	All Models	with 3 speed, 5 terminal 20 amp - Universal Type 12-24V	V11493	2199025
1990-1993	All Models	3 speeds, 5 terminals	60018-0002	2118001
RC				
1990-1998	All Models	3 speeds, 5 terminals	60018-0002, 8179834, 3081373	2118001
RCII				
1986-1992	RCII	with 3 speed, 5 terminal 20 amp - Universal Type 12-24V	V11493	2199025
1990-1998	All Models	3 speeds, 5 terminals	60018-0002, 8179834, 3081373	2118001
RXII				
1986-1992	RX	with 3 speed, 5 terminal 20 amp - Universal Type 12-24V	V11493	2199025
VN SERIES				
1986-1992	All Models	with 3 speed, 5 terminal 20 amp - Universal Type 12-24V	V11493	2199025
1990-1993	All Models	3 speeds, 5 terminals	60018-0002	2118001

Volvo**SWITCHES - BLOWER**

YEAR	MODEL	DESCRIPTION	OEM NO.	KYSOR NO.
WAH				
1986-1992	All Models	with 3 speed, 5 terminal 20 amp - Universal Type 12-24V	V11493	2199025
1990-1993	All Models	3 speeds, 5 terminals	60018-0002	2118001
WCA				
1986-1992	All Models	with 3 speed, 5 terminal 20 amp - Universal Type 12-24V	V11493	2199025
1990-1993	All Models	3 speeds, 5 terminals	60018-0002	2118001
WG				
1986-1992	All Models	with 3 speed, 5 terminal 20 amp - Universal Type 12-24V	V11493	2199025
1990-1993	All Models	3 speeds, 5 terminals	60018-0002	2118001
WH				
1986-1992	WH	with 3 speed, 5 terminal 20 amp - Universal Type 12-24V	V11493	2199025
1990-1998	All Models	3 speeds, 5 terminals	60018-0002, 8179834, 3081373	2118001
WIA				
1986-1992	All Models	with 3 speed, 5 terminal 20 amp - Universal Type 12-24V	V11493	2199025
1990-1993	All Models	3 speeds, 5 terminals	60018-0002	2118001
WX				
1986-1992	WX	with 3 speed, 5 terminal 20 amp - Universal Type 12-24V	V11493	2199025
1990-1998	All Models	3 speeds, 5 terminals	60018-0002, 8179834, 3081373	2118001

SWITCHES - PRESSURE

YEAR	MODEL	DESCRIPTION	OEM NO.	KYSOR NO.
ALL OTHER MODELS				
All	All Models	Trinary™ Harness Boot use on 1525, 1550, 1555, & 1560	61522-0007	2299100
All	All Models	High Pressure - Normally Closed, 300/200 psi 1/4" SAE	404141, BB1075	2275013
All	All Models	Fan Override – Trinary™ Normally closed, 3/8"-24 male	RD545830	2299109
All	All Models	Fan Override – Trinary™ Normally Open, 3/8"-24 male	RD5-3595-0, 61522-3801	2299109
All	All Models	Fan Override – Trinary™ Normally closed, female 1/4"	RD546250	2299008
All	All Models	Binary Switch with female, 1/4" thread, 2 Spades	RD54640	2299033

SWITCHES - THERMOSTATIC

YEAR	MODEL	DESCRIPTION	OEM NO.	KYSOR NO.
RBII				
1976-1986	RBII	All Models	02-7010174	3299010

SWITCHES - THERMOSTATIC

YEAR	MODEL	DESCRIPTION	OEM NO.	KYSOR NO.
RCII				
1976-1986	RCII	All Models	02-7010174	3299010
RXII				
1976-1986	RXII	All Models	02-7010174	3299010
WAH				
1994-1996	W-Series	All Models with preset type	1118416	2318001
1988-1993	W-Series	All Models with preset type	BD1340	2318001
WCA				
1994-1996	W-Series	All Models with preset type	1118416	2318001
1988-1993	WCA	All Models with Cable Operated	1118416	2318001
1988-1993	W-Series	All Models with preset type	BD1340	2318001
WG				
1994-1996	W-Series	All Models with preset type	1118416	2318001
1988-1993	W-Series	All Models with preset type	BD1340	2318001
1994-1996	WG	All Models with preset type	V1118408, 1110162	2399003
WH				
1988-2000	WH	All Models with Cable Operated	650117	2318001
WIA				
1994-1996	W-Series	All Models with preset type	1118416	2318001
1988-1993	WIA	All Models with Cable Operated	1118416	2318001
1988-1993	W-Series	All Models with preset type	BD1340	2318001
WX				
1988-2000	WX	All Models with Cable Operated	650117	2318001
1994-1996	WX	All Models with preset type	V1118408, 1110162	2399003
WXLL				
1988-2002	WXLL	All Models with Cable Operated	1118416, BSM323004, BSM650117	2318001
XPEDITOR				
1988-2002	Xpeditor	All Models with Cable Operated	1118416, BSM323004, BSM650117	2318001

WATER VALVES

YEAR	MODEL	DESCRIPTION	OEM NO.	KYSOR NO.
VHD SERIES				
2010-2014	All Models	Heater Control Valve (use in kit #2357)	85120278	2418004
2003-2010	All Models	Heater Control Valve Kit	20443636, 85105606, 20527576	2418004
2010-2014	All Models	Actuator	20443814	2118005
2003-2006	All Models	Heater Control Valve Kit	20527576	2418004
1996-2002	VHD	with BEHR Electronic Operated; 2 Terminal	3946692, BOA80-101-00-229	2418001
VN SERIES				
2010-2014	All Models	Heater Control Valve (use in kit #2357)	85120278	2418004
2003-2010	All Models	Heater Control Valve Kit	20443636, 85105606, 20527576	2418004

Volvo**WATER VALVES**

YEAR	MODEL	DESCRIPTION	OEM NO.	KYSOR NO.
2010-2014	All Models	Actuator	20443814	2118005
2003-2006	All Models	Heater Control Valve Kit	20527576	2418004
VT SERIES				
2010-2014	All Models	Heater Control Valve (use in kit #2357) without E	85120278	2418004
2003-2010	All Models	Heater Control Valve Kit without E	20443636, 85105606, 20527576	2418004
2010-2014	All Models	Actuator without E	20443814	2118005
2003-2006	All Models	Heater Control Valve Kit without E	20527576	2418004
1996-2002	VN 420, 610	with BEHR Electronic operated; 2 Terminal without E	3946692, BOA80-101-00-229	2418001

AIR FILTERS

YEAR	MODEL	DESCRIPTION	OEM NO.	KYSOR NO.
ALL OTHER MODELS				
All	All Models	All with 11-3/4"x10-1/2"x3/4" (inside cab under passenger side dash)	RD38416-0, WS0101P	3119001

BLOWER MOTORS

YEAR	MODEL	DESCRIPTION	OEM NO.	KYSOR NO.
38				
1996-2014	All Models	Main and Auxiliary with Red Dot A/C (CW)	RD3-8657-0, RD5-8040-0, RD5-8202-1, RD5-8663-0	1017004
2005-2011	All Models	Main Unit (CW)	RD58663-0	1019001
1971-1984	All Models	with 3" Diameter Motor 2 speed CW	02-7008314, 1707686, RD31-6-12	1099040
All	All Models	All Models	849601, 851402, 865236	1299021
48				
1996-2014	All Models	Main and Auxiliary with Red Dot A/C (CW)	RD3-8657-0, RD5-8040-0, RD5-8202-1, RD5-8663-0	1017004
2005-2011	All Models	Main Unit (CW)	RD58663-0	1019001
1985-2001	4800	Sleeper Models with Red Dot unit (CCW, vented)	60009-5003	1099022
1983-2001	4800	Main with Red Dot unit (CW, vented)	RD5-6526-0	1099012
1994-1999	4800	Sleeper Models with Red Dot unit (CCW, vented)	60009-5003	1099022
1985-1998	4800	Main with Red Dot unit (CW, vented)	RD5-6526-0, 6009-5003	1099012
1971-1984	All Models	with 3" Diameter Motor 2 speed CW	02-7008314, 1707686, RD31-6-12	1099040
All	All Models	All Models	849601, 851402, 865236	1299021
49				
1996-2014	All Models	Main and Auxiliary with Red Dot A/C (CW)	RD3-8657-0, RD5-8040-0, RD5-8202-1, RD5-8663-0	1017004
2005-2011	All Models	Main Unit (CW)	RD58663-0	1019001
1985-2001	4900	Sleeper Models with Red Dot unit (CCW, vented)	60009-5003	1099022
1983-2001	4900	Main with Red Dot unit (CW, vented)	RD5-6526-0	1099012
1994-1999	4900	Sleeper Models with Red Dot unit (CCW, vented)	60009-5003	1099022
1985-1998	4900	Main with Red Dot unit (CW, vented)	RD5-6526-0, 6009-5003	1099012
1971-1984	All Models	with 3" Diameter Motor 2 speed CW	02-7008314, 1707686, RD31-6-12	1099040
All	All Models	All Models	849601, 851402, 865236	1299021
58				
1996-2014	All Models	Main and Auxiliary with Red Dot A/C (CW)	RD3-8657-0, RD5-8040-0, RD5-8202-1, RD5-8663-0	1017004
2005-2011	All Models	Main Unit (CW)	RD58663-0	1019001
1985-2001	5800	Sleeper Models with Red Dot unit (CCW, vented)	60009-5003	1099022
1983-2001	5800	Main with Red Dot unit (CW, vented)	RD5-6526-0	1099012
1994-1999	5800	Sleeper Models with Red Dot unit (CCW, vented)	60009-5003	1099022
1985-1998	5800	Main with Red Dot unit (CW, vented)	RD5-6526-0, 6009-5003	1099012

Western Star

BLOWER MOTORS

YEAR	MODEL	DESCRIPTION	OEM NO.	KYSOR NO.
1971-1984	All Models	with 3" Diameter Motor 2 speed CW	02-7008314, 1707686, RD31-6-12	1099040
All	All Models	All Models	849601, 851402, 865236	1299021
59				
1996-2014	All Models	Main and Auxiliary with Red Dot A/C (CW)	RD3-8657-0, RD5-8040-0, RD5-8202-1, RD5-8663-0	1017004
2005-2011	All Models	Main Unit (CW)	RD58663-0	1019001
1985-2001	5900	Sleeper Models with Red Dot unit (CCW, vented)	60009-5003	1099022
1983-2001	5900	Main with Red Dot unit (CW, vented)	RD5-6526-0	1099012
1994-1999	5900	Sleeper Models with Red Dot unit (CCW, vented)	60009-5003	1099022
1985-1998	5900	Main with Red Dot unit (CW, vented)	RD5-6526-0, 6009-5003	1099012
1971-1984	All Models	with 3" Diameter Motor 2 speed CW	02-7008314, 1707686, RD31-6-12	1099040
All	All Models	All Models	849601, 851402, 865236	1299021
69				
1996-2014	All Models	Main and Auxiliary with Red Dot A/C (CW)	RD3-8657-0, RD5-8040-0, RD5-8202-1, RD5-8663-0	1017004
2005-2011	All Models	Main Unit (CW)	RD58663-0	1019001
1985-2001	6900	Sleeper Models with Red Dot unit (CCW, vented)	60009-5003	1099022
1983-2001	6900	Main with Red Dot unit (CW, vented)	RD5-6526-0	1099012
1971-1984	All Models	with 3" Diameter Motor 2 speed CW	02-7008314, 1707686, RD31-6-12	1099040
All	All Models	All Models	849601, 851402, 865236	1299021
CONSTELLATION SERIES				
1996-2014	All Models	Main and Auxiliary with Red Dot A/C (CW)	RD3-8657-0, RD5-8040-0, RD5-8202-1, RD5-8663-0	1017004
2005-2011	All Models	Main Unit (CW)	RD58663-0	1019001
1971-1984	All Models	with 3" Diameter Motor 2 speed CW	02-7008314, 1707686, RD31-6-12	1099040
All	All Models	All Models	849601, 851402, 865236	1299021
HERITAGE SERIES				
1996-2014	All Models	Main and Auxiliary with Red Dot A/C (CW)	RD3-8657-0, RD5-8040-0, RD5-8202-1, RD5-8663-0	1017004
2005-2011	All Models	Main Unit (CW)	RD58663-0	1019001
1971-1984	All Models	with 3" Diameter Motor 2 speed CW	02-7008314, 1707686, RD31-6-12	1099040
All	All Models	All Models	849601, 851402, 865236	1299021

BLOWER WHEELS

YEAR	MODEL	DESCRIPTION	OEM NO.	KYSOR NO.
38				
2001-2015	All Models	Main Unit, All with 5-3/16" Diameter (CW)	RD5-5623-0, ABPN83-302051	1199008
1996-2000	All Models	Sleeper with Red Dot unit (5-3/4" Diameter CCW)	60012-5001, RD5-5601-0	1199003

BLOWER WHEELS

YEAR	MODEL	DESCRIPTION	OEM NO.	KYSOR NO.
All	All Models	All Models	02-7075303, RD3133-9, RD3106-9	1199010
48				
2001-2015	All Models	Main Unit, All with 5-3/16" Diameter (CW)	RD5-5623-0, ABPN83-302051	1199008
1996-2000	All Models	Sleeper with Red Dot unit (5-3/4" Diameter CCW)	60012-5001, RD5-5601-0	1199003
1983-2000	4800	Main Unit	02-7073625, RD3106-10	1199015
1985-2000	4800	Sleeper with Red Dot unit (5-1/4" Diameter CCW)	60010-5001, RD5-8618-0	1199010
1985-1998	4800	Sleeper with Red Dot unit (5-3/16" Diameter CW)	60010-4401	1199008
All	All Models	All Models	02-7075303, RD3133-9, RD3106-9	1199010
49				
2001-2015	All Models	Main Unit, All with 5-3/16" Diameter (CW)	RD5-5623-0, ABPN83-302051	1199008
1996-2000	All Models	Sleeper with Red Dot unit (5-3/4" Diameter CCW)	60012-5001, RD5-5601-0	1199003
1983-2000	4900	Main Unit	02-7073625, RD3106-10	1199015
1985-2000	4900	Sleeper with Red Dot unit (5-1/4" Diameter CCW)	60010-5001, RD5-8618-0	1199010
1985-1998	4900	Sleeper with Red Dot unit (5-3/16" Diameter CW)	60010-4401	1199008
All	All Models	All Models	02-7075303, RD3133-9, RD3106-9	1199010
58				
2001-2015	All Models	Main Unit, All with 5-3/16" Diameter (CW)	RD5-5623-0, ABPN83-302051	1199008
1996-2000	All Models	Sleeper with Red Dot unit (5-3/4" Diameter CCW)	60012-5001, RD5-5601-0	1199003
1983-2000	5800	Main Unit	02-7073625, RD3106-10	1199015
1985-2000	5800	Sleeper with Red Dot unit (5-1/4" Diameter CCW)	60010-5001, RD5-8618-0	1199010
1985-1998	5800	Sleeper with Red Dot unit (5-3/16" Diameter CW)	60010-4401	1199008
All	All Models	All Models	02-7075303, RD3133-9, RD3106-9	1199010
59				
2001-2015	All Models	Main Unit, All with 5-3/16" Diameter (CW)	RD5-5623-0, ABPN83-302051	1199008
1996-2000	All Models	Sleeper with Red Dot unit (5-3/4" Diameter CCW)	60012-5001, RD5-5601-0	1199003
1983-2000	5900	Main Unit	02-7073625, RD3106-10	1199015
1985-2000	5900	Sleeper with Red Dot unit (5-1/4" Diameter CCW)	60010-5001, RD5-8618-0	1199010
1985-1998	5900	Sleeper with Red Dot unit (5-3/16" Diameter CW)	60010-4401	1199008
All	All Models	All Models	02-7075303, RD3133-9, RD3106-9	1199010

Western Star

BLOWER WHEELS

YEAR	MODEL	DESCRIPTION	OEM NO.	KYSOR NO.
69				
2001-2015	All Models	Main Unit, All with 5-3/16" Diameter (CW)	RD5-5623-0, ABPN83-302051	1199008
1996-2000	All Models	Sleeper with Red Dot unit (5-3/4" Diameter CCW)	60012-5001, RD5-5601-0	1199003
All	All Models	All Models	02-7075303, RD3133-9, RD3106-9	1199010
CONSTELLATION SERIES				
2001-2015	All Models	Main Unit, All with 5-3/16" Diameter (CW)	RD5-5623-0, ABPN83-302051	1199008
1996-2000	All Models	Sleeper with Red Dot unit (5-3/4" Diameter CCW)	60012-5001, RD5-5601-0	1199003
All	All Models	All Models	02-7075303, RD3133-9, RD3106-9	1199010
HERITAGE SERIES				
2001-2015	All Models	Main Unit, All with 5-3/16" Diameter (CW)	RD5-5623-0, ABPN83-302051	1199008
1996-2000	All Models	Sleeper with Red Dot unit (5-3/4" Diameter CCW)	60012-5001, RD5-5601-0	1199003
All	All Models	All Models	02-7075303, RD3133-9, RD3106-9	1199010

CLUTCHES

YEAR	MODEL	DESCRIPTION	OEM NO.	KYSOR NO.
ALL OTHER MODELS WITH SANDEN - STYLE COMPRESSOR				
All	SD7H15	2 groove 132mm 5-1/4" Diameter 1 wire, (4626/4647/4694/4699)	6511-6010, 6511-6210	1399041
ALL OTHER MODELS WITH SELTEC / VALEO - STYLE COMPRESSOR				
All	TM15, DKS15CH	1 variable groove 158mm 6-1/4" Diameter (3 eye type)	511587	1399014
ALL OTHER MODELS WITH YORK/T/CCI - STYLE COMPRESSOR				
All	All Models	2 groove 7" Diameter pulley	502742	1399046
All	All Models	2 groove 6" Diameter with diode Weatherpack	024-21590	1380001
All	All Models	2 groove 6" Diameter pulley without diode	MA-6A; 6AR	1380003
All	All Models	8 groove 6-5/16" Diameter 12V, 2 wires	CFC024-25247	1380006

COMPRESSORS

YEAR	MODEL	DESCRIPTION	OEM NO.	KYSOR NO.
ALL OTHER MODELS WITH DENSO - STYLE COMPRESSOR				
2011-2015	All Models	with 6 groove 163.5mm 6.44" Diameter , 2 wires, 10S15C Denso	22-65772-000	1440003
2010-2014	All Models	with 8 groove 163.5mm 6.44" Diameter , 2 wires, 10S15C Denso	22-65771-000	1440002
ALL OTHER MODELS WITH SANDEN - STYLE COMPRESSOR				
All	SD7H15	2 groove 125mm C3126, M11 Engines. (SD4627), 3946616	20370291	1401108
All	SD7H15	2 groove 132mm S60 Engine (SD4626)	61104-3420	1401107

COMPRESSORS

YEAR	MODEL	DESCRIPTION	OEM NO.	KYSOR NO.
All	SD7H15	6 groove 125mm Diameter Direct Mount, JDA (SD4071)	SKI4071	1410100
All	SD7H15	6 groove 125mm MBE4000 Engine (SD4897)	61104-3430	1401117
All	SD7H15	7 groove 119mm Diameter Ear Mount without O-ring (SD4645)	61104-3423	1412001
All	SD7H15	8 groove 119mm Diameter (SD4776,4421)	ABPN83-304553	1401399
All	SD7H15	8 groove 119mm Diameter (SD4817, 4885)	SKI 4885	1410023
All	SD7H15	8 groove 119mm Diameter Direct Mount, 2 wires (SD4307)	SKI 4307	1410074
All	SD7H15	8 groove 119mm Diameter Direct Mount, 2 wires (SD4548)	SKI 4548	1410100
All	SD7H15	8 groove 140mm Diameter 90° Pad Head; Direct Mount, 2 wires (SD4802)	SKI4802S	1412010
ALL OTHER MODELS WITH YORK/T/CCI - STYLE COMPRESSOR				
All	T/CCI H/D	with 8 groove 6-1/8" Diameter, 12V, 2 wires	ET210L-25246C	1411016
All	T/CCI H/D	with Rotalock fittings	ER210L-25149	1411001
All	T/CCI H/D	with Tube-O-ring fittings	ET210L-25150	1411002

CONDENSERS

YEAR	MODEL	DESCRIPTION	OEM NO.	KYSOR NO.
38				
2008-2015	All Models	33-1/2" x 19" x 5/8" Pad fittings	22-67125-000, 22-62271-001, 22-65663-001	1512025
2005-2015	All Models	35-5/8" x 18" x 1-3/8" M10 Fittings	61203-3418, 1S12193, RD45273-0	1519004
2002-2005	All Models	39-1/2" x 17-1/4" x 7/8" Fittings #6 #8 MIO	61203-3430	1519005
1994-2004	All Models	35-1/2" x 18" x 1-1/4" with Red Dot A/C	61203-3409, RD4-4815-0	1519003
48				
2008-2015	All Models	33-1/2" x 19" x 5/8" Pad fittings	22-67125-000, 22-62271-001, 22-65663-001	1512025
2005-2015	All Models	35-5/8" x 18" x 1-3/8" M10 Fittings	61203-3418, 1S12193, RD45273-0	1519004
2002-2005	All Models	39-1/2" x 17-1/4" x 7/8" Fittings #6 #8 MIO	61203-3430	1519005
1994-2004	All Models	35-1/2" x 18" x 1-1/4" with Red Dot A/C	61203-3409, RD4-4815-0	1519003
49				
2008-2015	All Models	33-1/2" x 19" x 5/8" Pad fittings	22-67125-000, 22-62271-001, 22-65663-001	1512025
2005-2015	All Models	35-5/8" x 18" x 1-3/8" M10 Fittings	61203-3418, 1S12193, RD45273-0	1519004
2002-2005	All Models	39-1/2" x 17-1/4" x 7/8" Fittings #6 #8 MIO	61203-3430	1519005
1994-2004	All Models	35-1/2" x 18" x 1-1/4" with Red Dot A/C	61203-3409, RD4-4815-0	1519003
58				
2008-2015	All Models	33-1/2" x 19" x 5/8" Pad fittings	22-67125-000, 22-62271-001, 22-65663-001	1512025
2005-2015	All Models	35-5/8" x 18" x 1-3/8" M10 Fittings	61203-3418, 1S12193, RD45273-0	1519004
2002-2005	All Models	39-1/2" x 17-1/4" x 7/8" Fittings #6 #8 MIO	61203-3430	1519005
1994-2004	All Models	35-1/2" x 18" x 1-1/4" with Red Dot A/C	61203-3409, RD4-4815-0	1519003

Western Star

CONDENSERS

YEAR	MODEL	DESCRIPTION	OEM NO.	KYSOR NO.
59				
2008-2015	All Models	33-1/2" x 19" x 5/8" Pad fittings	22-67125-000, 22-62271-001, 22-65663-001	1512025
2005-2015	All Models	35-5/8" x 18" x 1-3/8" M10 Fittings	61203-3418, 1S12193, RD45273-0	1519004
2002-2005	All Models	39-1/2" x 17-1/4" x 7/8" Fittings #6 #8 MIO	61203-3430	1519005
1994-2004	All Models	35-1/2" x 18" x 1-1/4" with Red Dot A/C	61203-3409, RD4-4815-0	1519003
69				
2008-2015	All Models	33-1/2" x 19" x 5/8" Pad fittings	22-67125-000, 22-62271-001, 22-65663-001	1512025
2005-2015	All Models	35-5/8" x 18" x 1-3/8" M10 Fittings	61203-3418, 1S12193, RD45273-0	1519004
2002-2005	All Models	39-1/2" x 17-1/4" x 7/8" Fittings #6 #8 MIO	61203-3430	1519005
1994-2004	All Models	35-1/2" x 18" x 1-1/4" with Red Dot A/C	61203-3409, RD4-4815-0	1519003
CONSTELLATION SERIES				
2008-2015	All Models	33-1/2" x 19" x 5/8" Pad fittings	22-67125-000, 22-62271-001, 22-65663-001	1512025
2005-2015	All Models	35-5/8" x 18" x 1-3/8" M10 Fittings	61203-3418, 1S12193, RD45273-0	1519004
2002-2005	All Models	39-1/2" x 17-1/4" x 7/8" Fittings #6 #8 MIO	61203-3430	1519005
1994-2004	All Models	35-1/2" x 18" x 1-1/4" with Red Dot A/C	61203-3409, RD4-4815-0	1519003
HERITAGE SERIES				
2008-2015	All Models	33-1/2" x 19" x 5/8" Pad fittings	22-67125-000, 22-62271-001, 22-65663-001	1512025
2005-2015	All Models	35-5/8" x 18" x 1-3/8" M10 Fittings	61203-3418, 1S12193, RD45273-0	1519004
2002-2005	All Models	39-1/2" x 17-1/4" x 7/8" Fittings #6 #8 MIO	61203-3430	1519005
1994-2004	All Models	35-1/2" x 18" x 1-1/4" with Red Dot A/C	61203-3409, RD4-4815-0	1519003

EVAPORATORS

YEAR	MODEL	DESCRIPTION	OEM NO.	KYSOR NO.
38				
1985-1998	3800	Sleeper Models with Red Dot unit (R4070, 4170)	6004-4403	1699002
48				
1985-2004	4800	Sleeper Models with Red Dot unit (R4070, 4170)	6004-4403, RD2-1402-0	1699002
49				
1985-2004	4900	Sleeper Models with Red Dot unit (R4070, 4170)	6004-4403, RD2-1402-0	1699002
58				
1985-2004	5800	Sleeper Models with Red Dot unit (R4070, 4170)	6004-4403, RD2-1402-0	1699002
59				
1985-2004	5900	Sleeper Models with Red Dot unit (R4070, 4170)	6004-4403, RD2-1402-0	1699002

EVAPORATORS

YEAR	MODEL	DESCRIPTION	OEM NO.	KYSOR NO.
69				
1985-2004	6900	Sleeper Models with Red Dot unit (R4070, 4170)	6004-4403, RD2-1402-0	1699002

EXPANSION VALVES AND ORIFICE TUBES

YEAR	MODEL	DESCRIPTION	OEM NO.	KYSOR NO.
38				
1993-2015	All Models	Main with block type expansion valve (2-ton)	RD5-9513-0, RD5-7015-0	1899042
1983-2015	All Models	All sleeper Models with block type expansion valve	RD5-7125-0, RD4157-0, 60012-5011, 60012-4401	1899046
1988-1998	3800	All sleeper Models with block type expansion valve	60012-5011, 60012-4401, RD 4157-0	1899046
All	All Models	with Internal Equalized Valve (Flare)	A22-14420-1	1813002
All	All Models	with External Equalized Valve (Flare)	02-7010501, 02-7086617, RD4126-1	1814005
All	All Models	with External Equalized Valve (Flare)	02-7010501, 02-7086617, RD4126-1	1814005
48				
1993-2015	All Models	Main with block type expansion valve (2-ton)	RD5-9513-0, RD5-7015-0	1899042
1983-2015	All Models	All sleeper Models with block type expansion valve	RD5-7125-0, RD4157-0, 60012-5011, 60012-4401	1899046
All	All Models	with Internal Equalized Valve (Flare)	A22-14420-1	1813002
All	All Models	with External Equalized Valve (Flare)	02-7010501, 02-7086617, RD4126-1	1814005
49				
1993-2015	All Models	Main with block type expansion valve (2-ton)	RD5-9513-0, RD5-7015-0	1899042
1983-2015	All Models	All sleeper Models with block type expansion valve	RD5-7125-0, RD4157-0, 60012-5011, 60012-4401	1899046
All	All Models	with Internal Equalized Valve (Flare)	A22-14420-1	1813002
All	All Models	with External Equalized Valve (Flare)	02-7010501, 02-7086617, RD4126-1	1814005
58				
1993-2015	All Models	Main with block type expansion valve (2-ton)	RD5-9513-0, RD5-7015-0	1899042
1983-2015	All Models	All sleeper Models with block type expansion valve	RD5-7125-0, RD4157-0, 60012-5011, 60012-4401	1899046
All	All Models	with Internal Equalized Valve (Flare)	A22-14420-1	1813002
All	All Models	with External Equalized Valve (Flare)	02-7010501, 02-7086617, RD4126-1	1814005
59				
1993-2015	All Models	Main with block type expansion valve (2-ton)	RD5-9513-0, RD5-7015-0	1899042
1983-2015	All Models	All sleeper Models with block type expansion valve	RD5-7125-0, RD4157-0, 60012-5011, 60012-4401	1899046
All	All Models	with Internal Equalized Valve (Flare)	A22-14420-1	1813002
All	All Models	with External Equalized Valve (Flare)	02-7010501, 02-7086617, RD4126-1	1814005

Western Star

EXPANSION VALVES AND ORIFICE TUBES

YEAR	MODEL	DESCRIPTION	OEM NO.	KYSOR NO.
69				
1993-2015	All Models	Main with block type expansion valve (2-ton)	RD5-9513-0, RD5-7015-0	1899042
1983-2015	All Models	All sleeper Models with block type expansion valve	RD5-7125-0, RD4157-0, 60012-5011, 60012-4401	1899046
All	All Models	with Internal Equalized Valve (Flare)	A22-14420-1	1813002
All	All Models	with External Equalized Valve (Flare)	02-7010501, 02-7086617, RD4126-1	1814005
CONSTELLATION SERIES				
1993-2015	All Models	Main with block type expansion valve (2-ton)	RD5-9513-0, RD5-7015-0	1899042
1983-2015	All Models	All sleeper Models with block type expansion valve	RD5-7125-0, RD4157-0, 60012-5011, 60012-4401	1899046
All	All Models	with Internal Equalized Valve (Flare)	A22-14420-1	1813002
All	All Models	with External Equalized Valve (Flare)	02-7010501, 02-7086617, RD4126-1	1814005
HERITAGE SERIES				
1993-2015	All Models	Main with block type expansion valve (2-ton)	RD5-9513-0, RD5-7015-0	1899042
1983-2015	All Models	All sleeper Models with block type expansion valve	RD5-7125-0, RD4157-0, 60012-5011, 60012-4401	1899046
All	All Models	with Internal Equalized Valve (Flare)	A22-14420-1	1813002
All	All Models	with External Equalized Valve (O-ring)	02-7086505, RD53824-1	1899009

RECEIVER DRIERS/ACCUMULATORS

YEAR	MODEL	DESCRIPTION	OEM NO.	KYSOR NO.
38				
2010-2015	All Models	Pad Type with Bracket (use # 0131 stat seals)	A22-66700-000	1912028
1993-2015	All Models	3" x 10-3/8" x 3/8" O-ring, fuse plug, 1/4" Port	61506-3406, RD5-7417-0, 088343-00	1919003
All	All Models	3" x 8-3/8" x 3/8" O-ring, fuse plug, 1/4" Port	61506-3402, RD5-7568-0, RD5-7517-0, ABPN83-319314	1918001
48				
2010-2015	All Models	Pad Type with Bracket (use # 0131 stat seals)	A22-66700-000	1912028
1993-2015	All Models	3" x 10-3/8" x 3/8" O-ring, fuse plug, 1/4" Port	61506-3406, RD5-7417-0, 088343-00	1919003
All	All Models	3" x 8-3/8" x 3/8" O-ring, fuse plug, 1/4" Port	61506-3402, RD5-7568-0, RD5-7517-0, ABPN83-319314	1918001
49				
2010-2015	All Models	Pad Type with Bracket (use # 0131 stat seals)	A22-66700-000	1912028
1993-2015	All Models	3" x 10-3/8" x 3/8" O-ring, fuse plug, 1/4" Port	61506-3406, RD5-7417-0, 088343-00	1919003
All	All Models	3" x 8-3/8" x 3/8" O-ring, fuse plug, 1/4" Port	61506-3402, RD5-7568-0, RD5-7517-0, ABPN83-319314	1918001

RECEIVER DRIERS/ACCUMULATORS

YEAR	MODEL	DESCRIPTION	OEM NO.	KYSOR NO.
58				
2010-2015	All Models	Pad Type with Bracket (use # 0131 stat seals)	A22-66700-000	1912028
1993-2015	All Models	3" x 10-3/8" x 3/8" O-ring, fuse plug, 1/4" Port	61506-3406, RD5-7417-0, 088343-00	1919003
All	All Models	3" x 8-3/8" x 3/8" O-ring, fuse plug, 1/4" Port	61506-3402, RD5-7568-0, RD5-7517-0, ABPN83-319314	1918001
59				
2010-2015	All Models	Pad Type with Bracket (use # 0131 stat seals)	A22-66700-000	1912028
1993-2015	All Models	3" x 10-3/8" x 3/8" O-ring, fuse plug, 1/4" Port	61506-3406, RD5-7417-0, 088343-00	1919003
All	All Models	3" x 8-3/8" x 3/8" O-ring, fuse plug, 1/4" Port	61506-3402, RD5-7568-0, RD5-7517-0, ABPN83-319314	1918001
69				
2010-2015	All Models	Pad Type with Bracket (use # 0131 stat seals)	A22-66700-000	1912028
1993-2015	All Models	3" x 10-3/8" x 3/8" O-ring, fuse plug, 1/4" Port	61506-3406, RD5-7417-0, 088343-00	1919003
All	All Models	3" x 8-3/8" x 3/8" O-ring, fuse plug, 1/4" Port	61506-3402, RD5-7568-0, RD5-7517-0, ABPN83-319314	1918001
ALL OTHER MODELS				
All	All Models	2-3/4" x 10" with side Low Pressure Switch	02-7077922	1999007
All	All Models	2-3/4" x 10" without Low Pressure Switch		1999034
All	All Models	without Switch	RD5-4632-0	1999034
All	All Models	with Top Mounted Switch Port	02-0707988	1915005
All	All Models	with Side Mounted Trinary switch	04-9041020	1999022
All	All Models	with Top Mounted Trinary switch #1550 #11-1625	04-9041020	1999022
CONSTELLATION SERIES				
2010-2015	All Models	Pad Type with Bracket (use # 0131 stat seals)	A22-66700-000	1912028
1993-2015	All Models	3" x 10-3/8" x 3/8" O-ring, fuse plug, 1/4" Port	61506-3406, RD5-7417-0, 088343-00	1919003
All	All Models	3" x 8-3/8" x 3/8" O-ring, fuse plug, 1/4" Port	61506-3402, RD5-7568-0, RD5-7517-0, ABPN83-319314	1918001
HERITAGE SERIES				
2010-2015	All Models	Pad Type with Bracket (use # 0131 stat seals)	A22-66700-000	1912028
1993-2015	All Models	3" x 10-3/8" x 3/8" O-ring, fuse plug, 1/4" Port	61506-3406, RD5-7417-0, 088343-00	1919003
All	All Models	3" x 8-3/8" x 3/8" O-ring, fuse plug, 1/4" Port	61506-3402, RD5-7568-0, RD5-7517-0, ABPN83-319314	1918001

Western Star

RELAYS

YEAR	MODEL	DESCRIPTION	OEM NO.	KYSOR NO.
ALL OTHER MODELS				
1996-2004	All Models	5 Terminal with Diode 40/30 amp 12V	BOA80-945-00-079, VF4-15F11-501	2099002
1988-1995	All Models	Mini-relay with 5 terminals 12V (universal Bosch)	0332-204-125/150	2099003
1988-1995	All Models	Mini-relay with 5 terminals 24V (Universal Bosch)	0332-204-203	2099009

RESISTORS

YEAR	MODEL	DESCRIPTION	OEM NO.	KYSOR NO.
ALL OTHER MODELS				
All	All Models	Resistor Speed. Control. (Auxiliary Unit)	RD5-3647-0	2099005
All	All Models	Universal Rotary Switch (long Thread) 3 speed 5 terminal	BOA80-926-00-109	2199026
All	All Models	Universal Rotary Switch (short Thread) 3 speed 5 terminal	BOA80-926-00-109	2118003
All	All Models	Universal Rotary Switch 3 speed with resistor without.e.#	176573	2199002

SEALS

YEAR	MODEL	DESCRIPTION	OEM NO.	KYSOR NO.
ALL OTHER MODELS				
All	All Models	Compressor GH Head Stat Seal	23-13205-000	2712007
All	All Models	#8 Stat Seal (mini)	23-13202-000	2712005

SWITCHES - PRESSURE

YEAR	MODEL	DESCRIPTION	OEM NO.	KYSOR NO.
ALL OTHER MODELS				
All	All Models	Fan Override – Trinary™ Normally Closed Female 1/4"	RD5-4625-0	2299008
All	All Models	Fan Override – Trinary™ Normally Open, Male 3/8-24"	RD5-4585-0, 02-2750417	2299109
All	All Models	High Pressure – Fan Coupling, NC M10 Female	A22-45194-001	2212005
All	All Models	Binary Switch, Normally Closed, M10 Threads	22-51296-000	2212004

SWITCHES - THERMOSTATIC

YEAR	MODEL	DESCRIPTION	OEM NO.	KYSOR NO.
38				
1987-1996	All Models	All Models with rotary type with 36" capillary tube	RD412536	2399004
1983-1996	All Models	All Models with Cable Operatedated with 30" capillary tube	02-7010174	2399010
All	All Models	All Models with Knob Type 36" Capillary Tube	A22-15817-A	2399004

SWITCHES - THERMOSTATIC

YEAR	MODEL	DESCRIPTION	OEM NO.	KYSOR NO.
All	All Models	All Models with Cable Type 30" Capillary Tube	02-7010174, RD4226-30	2399010
48				
1987-1996	All Models	All Models with rotary type with 36" capillary tube	RD412536	2399004
1983-1996	All Models	All Models with Cable Operatedated with 30" capillary tube	02-7010174	2399010
All	All Models	All Models with Knob Type 36" Capillary Tube	A22-15817-A	2399004
All	All Models	All Models with Cable Type 30" Capillary Tube	02-7010174, RD4226-30	2399010
49				
1987-1996	All Models	All Models with rotary type with 36" capillary tube	RD412536	2399004
1983-1996	All Models	All Models with Cable Operatedated with 30" capillary tube	02-7010174	2399010
All	All Models	All Models with Knob Type 36" Capillary Tube	A22-15817-A	2399004
All	All Models	All Models with Cable Type 30" Capillary Tube	02-7010174, RD4226-30	2399010
58				
1987-1996	All Models	All Models with rotary type with 36" capillary tube	RD412536	2399004
1983-1996	All Models	All Models with Cable Operatedated with 30" capillary tube	02-7010174	2399010
All	All Models	All Models with Knob Type 36" Capillary Tube	A22-15817-A	2399004
All	All Models	All Models with Cable Type 30" Capillary Tube	02-7010174, RD4226-30	2399010
59				
1987-1996	All Models	All Models with rotary type with 36" capillary tube	RD412536	2399004
1983-1996	All Models	All Models with Cable Operatedated with 30" capillary tube	02-7010174	2399010
All	All Models	All Models with Knob Type 36" Capillary Tube	A22-15817-A	2399004
All	All Models	All Models with Cable Type 30" Capillary Tube	02-7010174, RD4226-30	2399010
69				
1987-1996	All Models	All Models with rotary type with 36" capillary tube	RD412536	2399004
1983-1996	All Models	All Models with Cable Operatedated with 30" capillary tube	02-7010174	2399010
All	All Models	All Models with Knob Type 36" Capillary Tube	A22-15817-A	2399004
All	All Models	All Models with Cable Type 30" Capillary Tube	02-7010174, RD4226-30	2399010
CONSTELLATION SERIES				
1987-1996	All Models	All Models with rotary type with 36" capillary tube	RD412536	2399004
1983-1996	All Models	All Models with Cable Operatedated with 30" capillary tube	02-7010174	2399010

Western Star**SWITCHES - THERMOSTATIC**

YEAR	MODEL	DESCRIPTION	OEM NO.	KYSOR NO.
All	All Models	All Models with Knob Type 36" Capillary Tube	A22-15817-A	2399004
All	All Models	All Models with Cable Type 30" Capillary Tube	02-7010174, RD4226-30	2399010
HERITAGE SERIES				
1987-1996	All Models	All Models with rotary type with 36" capillary tube	RD412536	2399004
1983-1996	All Models	All Models with Cable Operatedated with 30" capillary tube	02-7010174	2399010
All	All Models	All Models with Knob Type 36" Capillary Tube	A22-15817-A	2399004
All	All Models	All Models with Cable Type 30" Capillary Tube	02-7010174, RD4226-30	2399010




















WATER VALVES

YEAR	MODEL	DESCRIPTION	OEM NO.	KYSOR NO.
ALL OTHER MODELS				
All	All Models	Electric Vlv. 4 Pin, with "D" Label Red	RD5-6320-0	2199066
All	All Models	All Models with cable control, pull to open, 5/8" Universal Type	677413, RD5-4923-0	2411005



Air Conditioning Systems & Heating Replacement Parts

The part sequence listed under each section title identifies the part number ordering per the Kysor New Part Number Legend (shown at the front of this catalog).

	BLOWER MOTORS	161		RECEIVER DRIERS	403
	BLOWER WHEELS	193		SWITCHES	427
	DEFROST FANS	201		FITTINGS	459
	CLUTCHES	213		SERVICE EQUIPMENT	527
	COMPRESSORS	223		CHEMICALS & LUBRICANTS	533
	EXPANSION VALVES	309		KITS & ACCESSORIES	539
	WATER VALVES	327		AIR FILTERS	549
	CONDENSERS	351		LOUVERS	571
	EVAPORATORS	375		BUS PRODUCTS	577
	HEATER CORES	387			

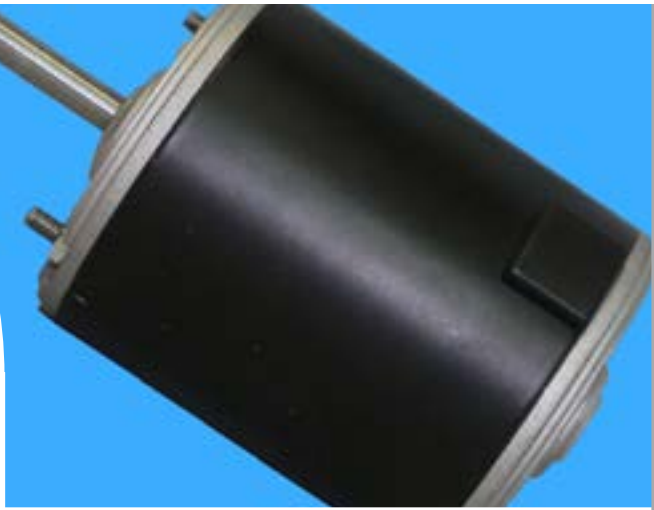
PART SPECIFICATIONS

Availability of the products shown in this catalog is subject to change without notice by Bergstrom, Inc. For the most current product information please visit the Kysor distributor website at <https://parts.kysorhvac.com/>.



KYSOR
by Bergstrom

*Air Conditioning & Heating
Replacement Parts*



Blower Motors

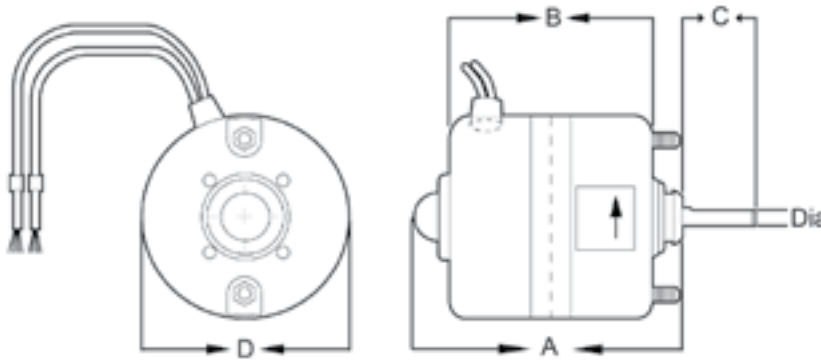
Single Shaft Motors	162
5/16" Shaft Diameter Single Shaft Motor Specifications	162
Single Shaft Brushless - style Motor Specifications	165
1/4" Shaft Diameter Single Motor Specifications	165
Double Shaft Motors	177
5/16" Shaft Diameter Double Motor Specifications	177
Blower Assemblies	181
Blower Assembly Specifications	181
Condenser Fan Assemblies	187
Condenser Fan Assembly Specifications	187
Booster Pumps	189
Booster Pump Specifications	189
Universal Booster Pump Cross Reference Chart	192



BUS



Availability of the products shown in this catalog is subject to change without notice by Bergstrom, Inc. For the most current product information please visit the Kysor distributor website at <https://parts.kysorhvac.com/>.

**Notes:**

1. On single shaft motor, rotation is determined by viewing motor from shaft end.
2. On permanent magnet motors the red or orange lead is positive.

Legend:

A = Overall Length
 B = Motor Length
 C = Shaft Length
 D = Motor Diameter
 Dia = Shaft Diameter
 CE = Closed End
 SE = Shaft End
 REV = Reversible

5/16" Shaft Diameter Single Shaft Motor Specifications

Overall Length (A)	Motor Length (B)	Shaft Length (C)	Motor Diameter (D)	Speed	Volt	Rotation	Mount	Shaft Diameter	Vent	Part No
-	-	-	-	-	-	-	-	-	-	1015009
2 15/16" (74.6mm)	2 9/16" (64mm)	7/8" (22.2mm)	3" (76.2mm)	1	12	CCWSE	Strap	5/16" (8mm)	NV	1075010
2 15/16" (74.6mm)	2 9/16" (64mm)	7/8" (22.2mm)	3" (76.2mm)	1	24	CCWSE	Strap	5/16" (8mm)	NV	1075017
3 9/16" (90.5mm)	3 1/8" (79.4mm)	1 5/16" (33.3mm)	3" (76.2mm)	2	12	CWSE	Stud	5/16" (8mm)	V	1099029
3 9/16" (90.5mm)	3 1/8" (79.4mm)	1 7/16" (36.5mm)	3" (76.2mm)	2	12	CW/CCW	Casebolt	5/16" (8mm)	V	1099038
3 15/16" (100mm)	3 11/16" (93.7mm)	1 3/8" (35mm)	2 15/16" (74.6mm)	1	24	CCWSE	Stud	5/16" (8mm)	V	1075034
3 3/4" (95.3mm)	3 3/8" (85.7mm)	1 7/16" (36.5mm)	3" (76.2mm)	2	24	CWSE	Stud	5/16" (8mm)	V	1099074
3 15/16" (100mm)	3 9/16" (90mm)	1" (25.4mm)	3" (76.2mm)	2	12	CWSE	Stud	5/16" (8mm)	NV	1099006
3 15/16" (100mm)	3 11/16" (93.7mm)	1 3/8" (35mm)	2 15/16" (74.6mm)	1	12	CCWSE	Stud	5/16" (8mm)	V	1099011
3 15/16" (100mm)	3 11/16" (93.7mm)	1 3/8" (35mm)	2 15/16" (74.6mm)	1	12	CWSE	Stud	5/16" (8mm)	V	1099024
3 7/8" (98.4mm)	3 11/16" (93.7mm)	1 3/8" (35mm)	2 15/16" (74.6mm)	1	24	CWSE	Strap	5/16" (8mm)	V	1075013
4" (101.6mm)	3 1/8" (79.4mm)	1 7/16" (36.5mm)	3" (76.2mm)	2	12	REV	Stud	5/16" (8mm)	V	1012015
4" (101.6mm)	3 9/16" (90mm)	1" (25.4mm)	3" (76.2mm)	2	12	CWSE	Stud	5/16" (8mm)	V	1099118
4" (101.6mm)	3 9/16" (90mm)	1 3/16" (30.1mm)	3" (76.2mm)	2	12	CWSE	Stud	5/16" (8mm)	V	1099135
4 1/16" (103mm)	3 11/16" (93.7mm)	1 3/8" (35mm)	3" (76.2mm)	2	12	CWSE	Stud	5/16" (8mm)	V	1099033
4 1/16" (103mm)	3 13/16" (96.8mm)	1 7/8" (47.6mm)	2 15/16" (74.6mm)	1	12	CW/CCW	Strap	5/16" (8mm)	V	1099034
4 1/16" (103mm)	3 9/16" (90mm)	1" (25.4mm)	3" (76.2mm)	2	12	CWSE	Stud	5/16" (8mm)	V	1099051
4 1/16" (103mm)	3 13/16" (96.8mm)	1 7/8" (47.6mm)	2 15/16" (74.6mm)	1	12	REV	Stud	5/16" (8mm)	V	1099116
4 3/16" (106.4mm)	4" (101.6mm)	1 13/16" (46mm)	3" (76.2mm)	1	12	CWSE	Flange	5/16" (8mm)	V	1099092
4 1/4" (108mm)	3 13/16" (96.8mm)	1 13/16" (46mm)	2 15/16" (74.6mm)	1	12	REV	Strap	5/16" (8mm)	V	1013007
4 1/4" (108mm)	4 1/16" (103mm)	1 13/16" (46mm)	2 15/16" (74.6mm)	1	12	CWSE	Stud	5/16" (8mm)	V	1075035

5/16" Shaft Diameter Single Shaft Motor Specifications

Overall Length (A)	Motor Length (B)	Shaft Length (C)	Motor Diameter (D)	Speed	Volt	Rotation	Mount	Shaft Diameter	Vent	Part No
4 15/16" (125.4mm)	4 1/16" (103mm)	1 13/16" (46mm)	2 15/16" (74.6mm)	1	12	CWSE	Strap	5/16" (8mm)	V	1099007
4 15/16" (125.4mm)	4 11/16" (119mm)	1 11/16" (42.9mm)	3 1/16" (77.8mm)	1	12	CCWCE	Flange	5/16" (8mm)	0	1099094
4 1/4" (108mm)	4 1/16" (103mm)	1 3/8" (35mm)	2 15/16" (74.6mm)	2	24	CWSE	Stud	5/16" (8mm)	NV	1099113
4 7/16" (112.7mm)	3 5/8" (92mm)	1 5/16" (33.3mm)	3 1/4" (82.6mm)	1	12	CWSE	Flange	5/16" (8mm)	V	1011003
4 7/16" (112.7mm)	3 9/16" (90mm)	1" (25.4mm)	3" (76.2mm)	2	12	CWSE	Strap	5/16" (8mm)	V	1013009
4 7/16" (112.7mm)	4 1/16" (103mm)	1 1/8" (28.6mm)	2 15/16" (74.6mm)	1	12	CCWCE	Strap	5/16" (8mm)	V	1015007
4 11/16" (119mm)	4 5/16" (109.5mm)	1 11/16" (42.9mm)	2 15/16" (74.6mm)	1	12	CCWSE	Flange	5/16" (8mm)	V	1012006
4 11/16" (119mm)	3 11/16" (93.7mm)	1 11/16" (42.9mm)	3 1/16" (77.8mm)	1	12	CW/CCW	Stud	5/16" (8mm)	V	1099050
4 1/4" (108mm)	3 3/4" (95.2mm)	1 1/4" (31.8mm)	3 1/4" (82.6mm)	1	12	CCW	Flange	5/16" (8mm)	V	1011014
4 1/4" (108mm)	4" (101.6mm)	1 5/16" (33.3mm)	2 15/16" (74.6mm)	1	12	CWSE	Flange	#10-32 UNF-2A	-	1013015
4 1/4" (108mm)	4" (101.6mm)	1 7/16" (36.5mm)	2 15/16" (74.6mm)	1	12	CCWCE	Strap	5/16" (8mm)	V	1014003
4 1/4" (108mm)	4" (101.6mm)	1 7/16" (36.5mm)	2 15/16" (74.6mm)	1	12	CCWCE	Strap	5/16" (8mm)	V	1014005
4 1/4" (108mm)	4" (101.6mm)	1 5/8" (41.3mm)	2 15/16" (74.6mm)	1	12	CCWCE	Strap	5/16" (8mm)	V	1015006
4 1/4" (108mm)	3 13/16" (96.8mm)	1 13/16" (46mm)	2 15/16" (74.6mm)	1	12	CCWCE	Stud	5/16" (8mm)	V	1017004
4 1/4" (108mm)	4 1/16" (103mm)	1 5/16" (33.3mm)	2 15/16" (74.6mm)	1	12	CWSE	Strap	5/16" (8mm)	NV	1099013
4 1/4" (108mm)	4 1/16" (103mm)	1 13/16" (46mm)	2 15/16" (74.6mm)	1	12	CWCE	Stud	5/16" (8mm)	V	1099022
4 1/4" (108mm)	4 1/16" (103mm)	2 1/8" (52.7mm)	2 15/16" (74.6mm)	1	12	CCWSE	Stud	5/16" (8mm)	V	1099023
4 1/4" (108mm)	4 1/16" (103mm)	1 11/16" (42.9mm)	3" (76.2mm)	1	12	CCWCE	Flange	5/16" (8mm)	V	1099064
4 1/4" (108mm)	4 1/16" (103mm)	1 13/16" (46mm)	2 15/16" (74.6mm)	1	12	CWSE	Bracket	5/16" (8mm)	V	1099070
4 1/4" (108mm)	4" (101.6mm)	1 1/4" (31.8mm)	3" (76.2mm)	1	24	REV	Stud	5/16" (8mm)	V	1099088
4 3/8" (111.6mm)	4" (101.7mm)	1 1/2" (38.1mm)	3 1/16" (77.8mm)	1	12	CCWCE	-	5/16" (8mm)	V	1014007
4 3/8" (111.1mm)	4" (101.6mm)	1 13/16" (46mm)	3" (76.2mm)	1	12	CCW	Stud	5/16" (8mm)	V	1019001
4 7/16" (112.7mm)	3 9/16" (90mm)	1 3/8" (35mm)	3" (76.2mm)	2	12	CWSE	Stud	5/16" (8mm)	V	1099054
4 7/16" (112.7mm)	4 1/16" (103mm)	1 5/16" (33.3mm)	3" (76.2mm)	1	24	CCWSE	Stud	5/16" (8mm)	NV	1099075
4 1/2" (114.3mm)	3 5/8" (92mm)	1 1/2" (38.1mm)	3" (76.2mm)	1	12	CW	Stud	5/16" (8mm)	V	1012009
4 1/2" (114.3mm)	4" (101.6mm)	1 3/16" (30.1mm)	3 1/8" (78mm)	1	12	CCWCE	Strap	5/16" (8mm)	NV	1075009
4 1/2" (114.3mm)	4" (101.6mm)	1 1/4" (31.8mm)	3 1/8" (78mm)	1	24	CWSE	Strap	5/16" (8mm)	NV	1075012
4 1/2" (114.3mm)	4" (101.6mm)	1 1/4" (31.8mm)	3 1/8" (78mm)	1	24	CWSE	Strap	5/16" (8mm)	NV	1075016
4 1/2" (114.3mm)	4" (101.6mm)	1 1/4" (31.8mm)	3 1/8" (78mm)	1	12	CCWCE	Strap	5/16" (8mm)	NV	1075049
4 1/2" (114.3mm)	4" (101.6mm)	1 1/4" (31.8mm)	3 1/8" (78mm)	1	24	CCWCE	Strap	5/16" (8mm)	NV	1075050

BLOWER MOTORS



Single Shaft Motors

5/16" Shaft Diameter Single Shaft Motor Specifications

BLOWER MOTORS



Overall Length (A)	Motor Length (B)	Shaft Length (C)	Motor Diameter (D)	Speed	Volt	Rotation	Mount	Shaft Diameter	Vent	Part No
4 1/2" (114.3mm)	4" (101.6mm)	1 1/4" (31.8mm)	3 1/8" (78mm)	1	24	CCWSE	Strap	5/16" (8mm)	NV	1075055
4 1/2" (114.3mm)	4 5/16" (109.5mm)	1 3/16" (30.1mm)	2 15/16" (74.6mm)	1	12	CWSE	Flange	5/16" (8mm)	V	1099137
4 9/16" (115.9mm)	3 13/16" (96.8mm)	1" (25.4mm)	3" (76.2mm)	1	12	CWSE	Flange	5/16" (8mm)	V	1017005
4 9/16" (115.9mm)	4 3/8" (111.1mm)	1 1/16" (27mm)	2 15/16" (74.6mm)	1	12	CWSE	Flange	5/16" (8mm)	V	1017006
4 5/8" (117.5mm)	4 1/8" (105mm)	1 5/16" (33.3mm)	3" (76.2mm)	1	12	CW	Flange w/ harness	5/16" (8mm)	V	1013004
4 5/8" (117.5mm)	4" (101.6mm)	1 3/4" (44.5mm)	2 15/16" (74.6mm)	1	12	CWSE	-	5/16" (8mm)	V	1013008
4 5/8" (117.5mm)	3 7/8" (98.4mm)	1 9/16" (39.6mm)	2 7/8" (73mm)	1	12	CWSE	Stud	5/16" (8mm)	V	1099012
4 11/16" (119mm)	4" (101.6mm)	1 1/4" (31.8mm)	3 1/16" (77.8mm)	1	12	CWSE	Strap	5/16" (8mm)	NV	1099087
4 3/4" (120.7mm)	4 1/2" (114.3mm)	1 5/16" (33.3mm)	2 15/16" (74.6mm)	1	12	CWSE	Strap	5/16" (8mm)	V	1014002
4 3/4" (120.7mm)	4" (101.6mm)	1 1/2" (38.1mm)	3" (76.2mm)	1	12	CCW	Stud	5/16" (8mm)	V	1015002
4 3/4" (120.7mm)	4 1/4" (108mm)	1 1/16" (27mm)	3 1/4" (82.6mm)	1	12	CWSE	Flange	5/16" (8mm)	V	1099014
4 3/4" (120.7mm)	4 9/16" (116mm)	1 13/16" (46mm)	2 15/16" (74.6mm)	1	12	CCWSE	Stud	5/16" (8mm)	V	1099052
4 3/4" (120.7mm)	4 1/16" (103mm)	1 5/8" (41.3mm)	3" (76.2mm)	1	12	CWSE	Flange	5/16" (8mm)	V	1099063
4 3/4" (120.7mm)	4 9/16" (116mm)	1 5/8" (41.3mm)	2 15/16" (74.6mm)	1	12	CCWCE	Stud	5/16" (8mm)	V	1099128
4 3/4" (120.7mm)	4 9/16" (116mm)	1 5/8" (41.3mm)	2 15/16" (74.6mm)	1	12	CCWLE	Stud	5/16" (8mm)	V	1099146
4 3/4" (120.7mm)	4 9/16" (116mm)	1 5/8" (41.3mm)	2 15/16" (74.6mm)	1	12	CCWCE	Stud	5/16" (8mm)	V	1099157
4 13/16" (122.2mm)	4 5/16" (109.5mm)	2 1/16" (52mm)	2 15/16" (74.6mm)	1	12	CCWCE	Stud	5/16" (8mm)	V	1018003
4 7/8" (123.8mm)	4 3/16" (106.4mm)	1 9/16" (39.6mm)	3 1/16" (77.8mm)	1	24	CWSE	Stud	5/16" (8mm)	NV	1099126
4 51/64" (121.84mm)	4 19/64" (109.04mm)	1 1/32" (26.32mm)	2 31/32" (75.35mm)	1	12	CWSE	-	5/16" (7.93mm)	V	1017007
4 13/16" (122.2mm)	4 5/16" (109.5mm)	1" (25.4mm)	3" (76.2mm)	1	12	CWSE	-	5/16" (8mm)	V	1017008
4 15/16" (125.4mm)	4 5/16" (109.5mm)	1 7/16" (36.5mm)	2 15/16" (74.6mm)	1	12	CWSE	Stud	5/16" (8mm)	V	1018002
4 15/16" (125.4mm)	4 11/16" (119mm)	1 7/8" (47.6mm)	3" (76.2mm)	1	12	CW	Bracket	5/16" (8mm)	V	1099069
5" (127mm)	4 1/4" (108mm)	1" (25.4mm)	3" (76.2mm)	1	12	CW	Plate	5/16" (8mm)	V	1011016
5" (127mm)	4 3/16" (106.4mm)	1 3/8" (35mm)	3 1/4" (82.6mm)	2	12	CW/Spade End	Stud	5/16" (8mm)	V	1017001
5" (127mm)	4 1/4" (108mm)	1" (25.4mm)	3 1/16" (77.8mm)	1	12	CWSE	Flange	5/16" (8mm)	V	1099003
5" (127mm)	3 9/16" (90mm)	1 3/8" (35mm)	3" (76.2mm)	2	12	CWSE	Stud	5/16" (8mm)	V	1099030
5" (127mm)	3 9/16" (90mm)	1" (25.4mm)	3" (76.2mm)	2	12	CWSE	Casebolt	5/16" (8mm)	V	1099040
5" (127mm)	4 9/16" (116mm)	1 13/16" (46mm)	2 15/16" (74.6mm)	1	12	CW	Stud	5/16" (8mm)	V	1099053
5 1/8" (130.1mm)	4 11/16" (118.9mm)	1 21/32" (42.16mm)	3 5/64" (77.98mm)	1	12	CCWCE	Flange	5/16" (8mm)	V	1099127
5 15/16" (150.8mm)	3 9/16" (90mm)	7/8" (22.2mm)	3" (76.2mm)	2	12	CW	Stud	5/16" (8mm)	V	1099055

5/16" Shaft Diameter Single Shaft Motor Specifications

Overall Length (A)	Motor Length (B)	Shaft Length (C)	Motor Diameter (D)	Speed	Volt	Rotation	Mount	Shaft Diameter	Vent	Part No
6 7/16" (163.5mm)	-	-	3" (76.2mm)	1	12	CWSE	Flange	-	V	1013012
6 13/16" (173mm)	4 13/16" (122.2mm)	2" (50.8mm)	3" (76.2mm)	1	12V	CCWSE	Strap	5/16" (8mm)	V	1099160
7 5/16" (185.7mm)	5 5/16" (135mm)	2" (50.8mm)	3" (76.2mm)	1	12V	CCWSE	Strap	5/16" (8mm)	V	1099159

Single Shaft Brushless - style Motor Specifications

Speed	Volt	Rotation	Mount	Shaft Diameter	Vent	Part No
Variable	12	CW	Flange	5/16" (8mm)	V	1012016

1/4" Shaft Diameter Single Motor Specifications

Overall Length (A)	Motor Length (B)	Shaft Length (C)	Motor Diameter (D)	Speed	Volt	Rotation	Mount	Shaft Diameter	Vent	Part No
-	-	-	3" (76.2mm)	1	12	CWSE	Flange	1/4" (6.4mm)	V	1013013
2 7/8" (72.1mm)	2 9/16" (64mm)	1 3/16" (30.1mm)	3" (76.2mm)	2	12	CCWSE	Stud	1/4" (6.4mm)	NV	1099032
2 15/16" (74.6mm)	2 9/16" (64mm)	1" (25.4mm)	3" (76.2mm)	2	12	CCWSE	Stud	1/4" (6.4mm)	NV	1099059
3" (76.2mm)	2 9/16" (64mm)	1 5/16" (33.3mm)	3" (76.2mm)	2	12	CWSE	Stud	1/4" (6.4mm)	NV	1075031
3" (76.2mm)	2 9/16" (64mm)	1" (25.4mm)	3 1/16" (77.8mm)	2	12	CCWSE	Strap	1/4" (6.4mm)	V	1099122
3" (76.2mm)	2 9/16" (64mm)	1 5/16" (33.3mm)	3" (76.2mm)	2	12	CWSE	Stud	1/4" (6.4mm)	NV	1099124
3" (76.2mm)	2 3/8" (60mm)	1 1/8" (28.6mm)	3" (76.2mm)	2	12	CWSE	Stud	1/4" (6.4mm)	NV	1099125
3" (76.2mm)	2 15/16" (75.5mm)	1 3/16" (30.1mm)	2 15/16" (74.6mm)	1	24	CCWCE	Stud	1/4" (6.4mm)	NV	1099150
3 1/16" (77.8mm)	2 5/8" (66.4mm)	7/8" (22.2mm)	3" (76.2mm)	2	12	CCWSE	Stud	1/4" (6.4mm)	NV	1075005
3 1/16" (77.8mm)	2 5/8" (66.4mm)	7/8" (22.2mm)	3" (76.2mm)	2	24	CCWSE	Stud	1/4" (6.4mm)	NV	1075006
3 1/16" (77.8mm)	2 5/8" (66.4mm)	1 1/8" (28.6mm)	3" (76.2mm)	2	12	CWSE	Stud	1/4" (6.4mm)	NV	1099080
3 7/16" (87.3mm)	2 1/2" (63.5mm)	1 1/16" (27mm)	3" (76.2mm)	2	24	CWSE	Stud	1/4" (6.4mm)	NV	1013006
3 7/8" (98.4mm)	2 9/16" (64mm)	3 7/8" (98.4mm)	3" (76.2mm)	2	24	CWSE	Bracket	1/4" (6.4mm)	NV	1099072
3 1/16" (77.8mm)	2 5/8" (66.4mm)	1 1/8" (28.6mm)	3" (76.2mm)	2	12	CWSE	Stud	1/4" (6.4mm)	NV	1099080
4 7/16" (112.7mm)	4" (101.6mm)	1 1/8" (28.6mm)	2 15/16" (74.6mm)	1	12	CCWSE	Flange	1/4" (6.4mm)	V	1013005



Single Shaft Motors

BLOWER MOTORS



Part No: 1011003



Speed: 1	Length: 4 7/16" (112.7mm)
Voltage: 12	Motor Length: 3 5/8" (92mm)
Rotation: CWSE	Shaft Length: 1 5/16" (33.3mm)
Mount: Flange	Diameter: 3 1/4" (82.6mm)
Vent: V	Shaft Diameter: 5/16" (8mm)

Part No: 1011014



Speed: 1	Length: 4 1/4" (108mm)
Voltage: 12	Motor Length: 3 3/4" (95.2mm)
Rotation: CCW	Shaft Length: 1 1/4" (31.8mm)
Mount: Flange	Diameter: 3 1/4" (82.6mm)
Vent: V	Shaft Diameter: 5/16" (8mm)

Part No: 1011016



Speed: 1	Length: 5" (127mm)
Voltage: 12	Motor Length: 4 1/4" (108mm)
Rotation: CW	Shaft Length: 1" (25.4mm)
Mount: Plate	Diameter: 3" (76.2mm)
Vent: V	Shaft Diameter: 5/16" (8mm)

Part No: 1012006



Speed: 1	Length: 4 11/16" (119mm)
Voltage: 12	Motor Length: 4 5/16" (109.5mm)
Rotation: CCWSE	Width: 3 13/16" (96.8mm)
Mount: Flange	Shaft Length: 1 11/16" (42.9mm)
Vent: V	Diameter: 2 15/16" (74.6mm)
Height: 1 1/2" (38.1mm)	Shaft Diameter: 5/16" (8mm)
Connector: Packard	Amps: 20 amps max
General Specifications: RFI Protection	

Part No: 1012009



Speed: 1	Length: 4 1/2" (114.3mm)
Voltage: 12	Motor Length: 3 5/8" (92mm)
Rotation: CW	Shaft Length: 1 1/2" (38.1mm)
Mount: Stud	Diameter: 3" (76.2mm)
Vent: V	Shaft Diameter: 5/16" (8mm)

Part No: 1012015



Speed: 2	Length: 4" (101.6mm)
Voltage: 12	Motor Length: 3 1/8" (79.4mm)
Rotation: REV	Shaft Length: 1 7/16" (36.5mm)
Mount: Stud	Diameter: 3" (76.2mm)
Vent: V	Shaft Diameter: 5/16" (8mm)
Connector: Bare leads	Amps: 9.1 amps (high), 4.9 amps (low)
Plug: All-Strip Wire	Stud Span: 2 5/16" (58.7mm)
General Specifications: Thermal Protection 160°	Wires: 5

Part No: 1012016



Speed: Variable	Shaft Diameter: 5/16" (8mm)
Voltage: 12	Mount: Flange
Rotation: CW	Vent: V
Plug: Wire	General Specification: Brushless-style

Part No: 1013004



Speed: 1	Length: 4 5/8" (117.5mm)
Voltage: 12	Motor Length: 4 1/8" (105mm)
Rotation: CW	Shaft Length: 1 5/16" (33.3mm)
Mount: Flange w/harness	Diameter: 3" (76.2mm)
Vent: V	Shaft Diameter: 5/16" (8mm)

Part No: 1013005



Speed: 1	Plug: Metric Pack 280 Connector
Voltage: 12	Length: 4 7/16" (112.7mm)
Rotation: CCWSE	Motor Length: 4" (101.6mm)
Mount: Flange	Shaft Length: 1 1/8" (28.6mm)
Vent: V	Diameter: 2 15/16" (74.6mm)
Connector: Metric Pack	Shaft Diameter: 1/4" (6.4mm)
General Specifications: RFI Protection	Amps: 22.5 amps max
Wires: 2	Stud Span: 2 5/16" (58.7mm)



Part No: 1013006



Speed: 2	Length: 3 7/16" (87.3mm)
Voltage: 24	Motor Length: 2 1/2" (63.5mm)
Rotation: CWSE	Shaft Length: 1 1/16" (27mm)
Vent: NV	Diameter: 3" (76.2mm)
Connector: Bare leads	Shaft Diameter: 1/4" (6.4mm)
General Specifications: Internally Grounded	Amps: 2.1 amps (high), 1.3 amps (low)
Wires: 2	Stud Span: 2 5/16" (58.7mm)

Part No: 1013007



Speed: 1	Plug: Orange-1/4 Male Terminal Black-1/4 Female Terminal
Voltage: 12	Length: 4 1/4" (108mm)
Rotation: REV	Motor Length: 3 13/16" (96.8mm)
Mount: Strap	Shaft Length: 1 13/16" (46mm)
Vent: V	Diameter: 2 15/16" (74.6mm)
Connector: male & female insulated terminal	Shaft Diameter: 5/16" (8mm)
General Specifications: RFI Protection	Amps: 18.75 amps max
Wires: 2	Stud Span: 2 5/16" (58.7mm)

Part No: 1013008



Speed: 1	Length: 4 5/8" (117.5mm)
Voltage: 12	Motor Length: 4" (101.6mm)
Rotation: CWSE	Width: 4" (101.6mm)
Vent: V	Shaft Length: 1 3/4" (44.5mm)
Height: 1 13/16" (46mm)	Diameter: 2 15/16" (74.6mm)
Connector: Packard	Shaft Diameter: 5/16" (8mm)
General Specifications: RFI Protection	Amps: 23 amps max
Wires: 2	

Part No: 1013009



Speed: 2	Plug: THB DJ7032-2.3-11 Connector
Voltage: 12	Length: 4 7/16" (112.7mm)
Rotation: CWSE	Motor Length: 3 9/16" (90mm)
Mount: Strap	Shaft Length: 1" (25.4mm)
Vent: V	Diameter: 3" (76.2mm)
Shaft Diameter: 5/16" (8mm)	Amps: 9 amp max
General Specifications: Thermal Protection 160°	Stud Span: 2 5/16" (58.7mm)
Wires: 3	

Part No: 1013012



Speed: 1	Length: 6 7/16" (163.5mm)
Voltage: 12	Width: 7 3/16" (183mm)
Rotation: CWSE	Diameter: 3" (76.2mm)
Mount: Flange	Wires: 2
Vent: V	

Part No: 1013013



Speed: 1	Plug: Yazaki 7283-5590-40
Voltage: 12	Width: 6 3/8" (162.6mm)
Rotation: CWSE	Diameter: 3" (76.2mm)
Mount: Flange	Shaft Diameter: 1/4" (6.4mm)
Vent: V	Wires: 2
Connector: Yazaki	

Part No: 1013015



Speed: 1	Length: 4 1/4" (108mm)
Voltage: 12	Motor Length: 4" (101.6mm)
Rotation: CWSE	Shaft Length: 1 5/16" (33.3mm)
Mount: Flange	Diameter: 2 15/16" (74.6mm)
Shaft Diameter: #10-32 UNF-2A thread	

Part No: 1014002



Speed: 1	Plug: Orange-AMP #3-520106-2 Black-AMP #3-350819-2
Voltage: 12	Length: 4 3/4" (120.7mm)
Rotation: CWSE	Motor Length: 4 1/2" (114.3mm)
Mount: Strap	Shaft Length: 1 5/16" (8mm)
Vent: V	Diameter: 2 15/16" (74.6mm)
Connector: amp insulated	Shaft Diameter: 5/16" (8mm)
Wires: 2	Amps: 16.5 amps max
Stud Span: 2 5/16" (58.7mm)	

Part No: 1014003



Speed: 1	Plug: Orange-AMP #3-520106-2 Black-AMP #3-350819-2
Voltage: 12	Length: 4 1/4" (108mm)
Rotation: CCWCE	Motor Length: 4" (101.6mm)
Mount: Strap	Shaft Length: 1 7/16" (36.5mm)
Vent: V	Diameter: 2 15/16" (74.6mm)
Connector: 1/4" amp insulated	Shaft Diameter: 5/16" (8mm)
Wires: 2	Amps: 13.9 amps max
Stud Span: 2 5/16" (58.7mm)	

Single Shaft Motors

BLOWER MOTORS



Part No: 1014005



Speed: 1	Plug: Packard #12129081 Connector
Voltage: 12	Length: 4 1/4" (108mm)
Rotation: CCWCE	Motor Length: 4" (101.6mm)
Mount: Strap	Shaft Length: 1 7/16" (36.5mm)
Vent: V	Diameter: 2 15/16" (74.6mm)
Connector: Packard	Shaft Diameter: 5/16" (8mm)
Wires: 2	Amps: 17.1 amps max
Stud Span: 2 5/16" (58.7mm)	

Part No: 1014007



Speed: 1	Plug: Packard #12129081 Connector
Voltage: 12	Length: 4 3/8" (111.6mm)
Rotation: CCWCE	Motor Length: 4" (101.7mm)
Vent: V	Shaft Length: 11 1/2" (38.1mm)
Connector: Packard	Diameter: 3 1/16" (77.8mm)
General Specifications: RFI Protection	Shaft Diameter: 5/16" (8mm)
Wires: 2	Amps: 16 amps
Stud Span: 2 13/32" (61mm)	

Part No: 1015002



Speed: 1	Length: 4 3/4" (120.7mm)
Voltage: 12	Motor Length: 4" (101.6mm)
Rotation: CCW	Shaft Length: 1 1/2" (38.1mm)
Mount: Stud	Diameter: 3" (76.2mm)
Vent: V	Shaft Diameter: 5/16" (8mm)

Part No: 1015006



Speed: 1	Plug: Orange-Packard #2984528 Black-Packard #2984528
Voltage: 12	Length: 4 1/4" (108mm)
Rotation: CCWCE	Motor Length: 4" (101.6mm)
Mount: Strap	Shaft Length: 1 5/8" (41.3mm)
Vent: V	Diameter: 2 15/16" (74.6mm)
Connector: Packard	Shaft Diameter: 5/16" (8mm)
General Specifications: RFI Protection	Amps: 18.5 amps max
Wires: 2	Stud Span: 2 5/16" (58.7mm)

Part No: 1015007



Speed: 1	Length: 4 7/16" (112.7mm)
Voltage: 12	Motor Length: 4 1/16" (103mm)
Rotation: CCWCE	Width: 4" (101.6mm)
Mount: Strap	Shaft Length: 1 1/8" (28.6mm)
Vent: V	Diameter: 2 15/16" (74.6mm)
Height: 1 7/16" (36.5mm)	Shaft Diameter: 5/16" (8mm)
Wires: 2	Amps: 24 amps max

Part No: 1015009



Part No: 1017001



Speed: 2	Length: 5" (127mm)
Voltage: 12	Motor Length: 4 3/16" (106.4mm)
Rotation: CW/Spade Ende	Shaft Length: 1 3/8" (35mm)
Mount: Stud	Diameter: 3 1/4" (82.6mm)
Vent: V	Shaft Diameter: 5/16" (8mm)

Part No: 1017004



Speed: 1	Plug: Packard #2984883 Connector
Voltage: 12	Length: 4 1/4" (108mm)
Rotation: CCWCE	Motor Length: 3 13/16" (96.8mm)
Mount: Stud	Shaft Length: 1 13/16" (46mm)
Vent: V	Diameter: 2 15/16" (74.6mm)
Connector: Packard	Shaft Diameter: 5/16" (8mm)
Wires: 2	Amps: 16.6 amps max
Stud Span: 2 5/16" (58.7mm)	

Part No: 1017005



Speed: 1	Plug: Packard #2984883 Connector
Voltage: 12	Length: 4 9/16" (115.9mm)
Rotation: CWSE	Motor Length: 3 13/16" (96.8mm)
Mount: Flange	Shaft Length: 1" (25.4mm)
Vent: V	Diameter: 3" (76.2mm)
Connector: Amp	Shaft Diameter: 5/16" (8mm)
Wires: 2	Amps: 21.5 amps max



Part No: 1017006



Speed: 1	Plug: Packard #2984883 Connector
Voltage: 12	Length: 4 9/16" (115.9mm)
Rotation: CWSE	Motor Length: 4 3/8" (111.1mm)
Mount: Flange	Shaft Length: 1 1/16" (27mm)
Vent: V	Diameter: 2 15/16" (74.6mm)
Connector: Packard	Shaft Diameter: 5/16" (8mm)
Wires: 2	Amps: 23 amps max
Stud Span: 2 5/16" (58.7mm)	

Part No: 1017007



Speed: 1	Plug: Packard #12064750 Connector
Voltage: 12	Length: 4 51/64" (121.84mm)
Rotation: CWSE	Motor Length: 4 19/64" (109.04mm)
Vent: V	Shaft Length: 1 1/32" (26.32mm)
Connector: Packard	Diameter: 2 31/32" (75.35mm)
Wires: 2	Shaft Diameter: 5/16" (7.93mm)
General Specifications: RFI Protection	

Part No: 1017008



Speed: 1	Plug: Packard #12064750 Connector
Voltage: 12	Length: 4 13/16" (122.2mm)
Rotation: CWSE	Motor Length: 4 5/16" (109.5mm)
Vent: V	Shaft Length: 1" (25.4mm)
Connector: Packard	Diameter: 3" (76.2mm)
Wires: 2	Shaft Diameter: 5/16" (8mm)
General Specifications: RFI Protection	Amps: 19 amps

Part No: 1018002



Speed: 1	Plug: AMP #61362-2
Voltage: 12	Length: 4 15/16" (125.4mm)
Rotation: CWSE	Motor Length: 4 5/16" (109.5mm)
Mount: Stud	Width: 4 5/16" (109.5mm)
Vent: V	Shaft Length: 1 7/16" (36.5mm)
Height: 1 1/4" (31.8mm)	Diameter: 2 15/16" (74.6mm)
Connector: Amp	Shaft Diameter: 5/16" (8mm)
Wires: 2	Amps: 21.4 amps max

Part No: 1018003



Speed: 1	Plug: Packard #2973781 Connector
Voltage: 12	Length: 4 13/16" (122.2mm)
Rotation: CCWCE	Motor Length: 4 5/16" (109.5mm)
Mount: Stud	Shaft Length: 2 1/16" (52mm)
Vent: V	Diameter: 2 15/16" (74.6mm)
Connector: Amp	Shaft Diameter: 5/16" (8mm)
Wires: 2	Amps: 24.6 amps max
Stud Span: 2 5/16" (58.7mm)	

Part No: 1019001



Speed: 1	Length: 4 3/8" (111.1mm)
Voltage: 12	Motor Length: 4" (101.6mm)
Rotation: CCW	Shaft Length: 1 13/16" (46mm)
Mount: Stud	Diameter: 3" (76.2mm)
Vent: V	Shaft Diameter: 5/16" (8mm)
General Specifications: RFI Protection	Stud Span: 2 5/16" (58.7mm)
Wires: 2	

Part No: 1075005



Speed: 2	Length: 3 1/16" (77.8mm)
Voltage: 12	Motor Length: 2 5/8" (66.4mm)
Rotation: CCWSE	Shaft Length: 7/8" (22.2mm)
Mount: Stud	Diameter: 3" (76.2mm)
Vent: NV	Shaft Diameter: 1/4" (6.4mm)
Connector: Bare leads	Amps: 4.2 amps (high), 2.2 amps (low)
General Specifications: Internally Grounded, Thermal Protection 130°	Stud Span: 2 5/16" (58.7mm)
Wires: 2	

Part No: 1075006



Speed: 2	Length: 3 1/16" (77.8mm)
Voltage: 24	Motor Length: 2 5/8" (66.4mm)
Rotation: CCWSE	Shaft Length: 7/8" (22.2mm)
Mount: Stud	Diameter: 3" (76.2mm)
Vent: NV	Shaft Diameter: 1/4" (6.4mm)
Connector: Bare leads	Amps: 4.2 amps (high), 2.2 amps (low)
General Specifications: Internally Grounded, Thermal Protection 125°	Stud Span: 2 5/16" (58.7mm)
Wires: 2	

Part No: 1075009




Speed: 1	Plug: Red/White AMP 60793-1 Connector Black AMP 60799-2 Connector
Voltage: 12	Length: 4 1/2" (114.3mm)
Rotation: CCWCE	Motor Length: 4" (101.6mm)
Mount: Strap	Shaft Length: 1 3/16" (30.1mm)
Vent: NV	Diameter: 3 1/8" (78mm)
Connector: Amp	Shaft Diameter: 5/16" (8mm)
General Specifications: Dust cap	Amps: 14.5 amps max
Wires: 2	Stud Span: 2 5/16" (58.7mm)

Single Shaft Motors

BLOWER MOTORS




Part No: 1075010




Speed: 1	Length: 2 15/16" (74.6mm)
Voltage: 12	Motor Length: 2 9/16" (64mm)
Rotation: CCWSE	Shaft Length: 7/8" (22.2mm)
Mount: Strap	Diameter: 3" (76.2mm)
Vent: NV	Shaft Diameter: 5/16" (8mm)
Connector: Amp	Amps: 8 amps max
Wires: 2	Stud Span: 2 5/16" (58.7mm)

Part No: 1075012



Speed: 1	Plug: Orange AMP 60793-1 Connector Black AMP 60799-2 Connector
Voltage: 24	Length: 4 1/2" (114.3mm)
Rotation: CWSE	Motor Length: 4" (101.6mm)
Mount: Strap	Shaft Length: 1 1/4" (31.8mm)
Vent: NV	Diameter: 3 1/8" (78mm)
Connector: Amp	Shaft Diameter: 5/16" (8mm)
General Specifications: Dust cap	Amps: 8 amps max
Wires: 2	

Part No: 1075013



Speed: 1	Plug: Orange AMP 60793-1 Connector Black AMP 60799-2 Connector
Voltage: 24	Length: 3 7/8" (98.4mm)
Rotation: CWSE	Motor Length: 3 11/16" (93.7mm)
Mount: Strap	Shaft Length: 1 3/8" (35mm)
Vent: V	Diameter: 2 15/16" (74.6mm)
Connector: Amp	Shaft Diameter: 5/16" (8mm)
Stud Span: 2 5/16" (58.7mm)	Amps: 7.5 amps max

Part No: 1075016




Speed: 1	Plug: Red/White AMP 60793-1 Connector Black AMP 60799-2 Connector
Voltage: 24	Length: 4 1/2" (114.3mm)
Rotation: CWSE	Motor Length: 4" (101.6mm)
Mount: Strap	Shaft Length: 1 1/4" (31.8mm)
Vent: NV	Diameter: 3 1/8" (78mm)
Connector: Amp	Amps: 7.5 amps max
General Specifications: Dust cap	Stud Span: 2 5/16" (58.7mm)
Wires: 2	

Part No: 1075017




Speed: 1	Length: 2 15/16" (74.6mm)
Voltage: 24	Motor Length: 2 9/16" (64mm)
Rotation: CCWSE	Shaft Length: 7/8" (22.2mm)
Mount: Strap	Diameter: 3" (76.2mm)
Vent: NV	Shaft Length: 7/8" (22.2mm)
Diameter: 3" (76.2mm)	Amps: 4 amps max
Stud Span: 2 5/16" (58.7mm)	

Part No: 1075031




Speed: 2	Length: 3" (76.2mm)
Voltage: 12	Motor Length: 2 9/16" (64mm)
Rotation: CWSE	Shaft Length: 1 5/16" (33.3mm)
Mount: Stud	Diameter: 3" (76.2mm)
Vent: NV	Shaft Diameter: 1/4" (6.4mm)
Connector: Bare leads	Amps: 3.6 amps (high), 2.2 amps (low)
General Specifications: Internally Grounded	Stud Span: 2 5/16" (58.7mm)
Wires: 2	

Part No: 1075034



Speed: 1	Plug: Orange AMP 60793-1 Connector Black AMP 60799-2 Connector
Voltage: 24	Length: 3 15/16" (100mm)
Rotation: CCWSE	Motor Length: 3 11/16" (93.7mm)
Mount: Stud	Shaft Length: 1 3/8" (35mm)
Vent: V	Diameter: 2 15/16" (74.6mm)
Connector: Amp	Shaft Diameter: 5/16" (8mm)
Wires: 2	Amps: 9 amps max
Stud Span: 2 5/16" (58.7mm)	

Part No: 1075035



Speed: 1	Plug: Orange AMP 60793-1 Connector Black AMP 60799-2 Connector
Voltage: 12	Length: 4 1/4" (108mm)
Rotation: CWSE	Motor Length: 4 1/16" (103mm)
Mount: Stud	Shaft Length: 1 13/16" (46mm)
Vent: V	Diameter: 2 15/16" (74.6mm)
Connector: Amp	Shaft Diameter: 5/16" (8mm)
Wires: 2	Amps: 20 amps max
Stud Span: 2 5/16" (58.7mm)	

Part No: 1075049



Speed: 1	Length: 4 1/2" (114.3mm)
Voltage: 12	Motor Length: 4" (101.6mm)
Rotation: CCWSE	Shaft Length: 1 1/4" (31.8mm)
Mount: Strap	Diameter: 3 1/8" (78mm)
Vent: NV	Shaft Diameter: 5/16" (8mm)
Connector: Henan Tianhai	Amps: 14.5 amps max
General Specifications: Dust cap	Stud Span: 2 5/16" (58.7mm)
Wires: 2	

Single Shaft Motors

2

BLOWER MOTORS



Part No: 1075050	
Speed: 1	Length: 4 1/2" (114.3mm)
Voltage: 24	Motor Length: 4" (101.6mm)
Rotation: CCWCE	Shaft Length: 1 1/4" (31.8mm)
Mount: Strap	Diameter: 3 1/8" (78mm)
Vent: NV	Shaft Diameter: 5/16" (8mm)
Connector: Henan Tianhai	Amps: 7.5 amps max
General Specifications: Dust cap	Stud Span: 2 5/16" (58.7mm)
Wires: 2	



Part No: 1075055	
Speed: 1	Plug: Orange AMP 60793-1 Connector Black AMP 60799-2 Connector
Voltage: 24	Length: 4 1/2" (114.3mm)
Rotation: CCWSE	Motor Length: 4" (101.6mm)
Mount: Strap	Shaft Length: 1 1/4" (31.8mm)
Vent: NV	Diameter: 3 1/8" (78mm)
Connector: Amp	Shaft Diameter: 5/16" (8mm)
General Specifications: Dust cap	Amps: 8 amps max
Wires: 2	Stud Span: 2 5/16" (58.7mm)



Part No: 1099003	
Speed: 1	Length: 5" (127mm)
Voltage: 12	Motor Length: 4 1/4" (108mm)
Rotation: CWSE	Shaft Length: 1" (25.4mm)
Mount: Flange	Diameter: 3 1/16" (77.8mm)
Vent: V	Shaft Diameter: 5/16" (8mm)
Connector: Blade terminal	



Part No: 1099006	
Speed: 2	Length: 3 15/16" (100mm)
Voltage: 12	Motor Length: 3 9/16" (90mm)
Rotation: CWSE	Shaft Length: 1" (25.4mm)
Mount: Stud	Diameter: 3" (76.2mm)
Vent: NV	Shaft Diameter: 5/16" (8mm)
Connector: Bare leads	Amps: 3.5 amps (high), 2.2 amps (low)
General Specifications: Internally Grounded	Stud Span: 2 5/16" (58.67mm)
Wires: 2	



Part No: 1099007	
Speed: 1	Plug: Packard #2984528 Connector
Voltage: 12	Length: 4 15/16" (125.4mm)
Rotation: CWSE	Motor Length: 4 1/16" (103mm)
Mount: Strap	Shaft Length: 1 13/16" (46mm)
Vent: V	Diameter: 2 15/16" (74.6mm)
Connector: Packard	Shaft Diameter: 5/16" (8mm)
Wires: 2	Amps: 18.7 amps max
Stud Span: 2 5/16" (58.7mm)	



Part No: 1099011	
Speed: 1	Plug: Orange AMP 60793-1 Connector Black AMP 60799-2 Connector
Voltage: 12	Length: 3 15/16" (100mm)
Rotation: CCWSE	Motor Length: 3 11/16" (93.7mm)
Mount: Stud	Shaft Length: 1 3/8" (35mm)
Vent: V	Diameter: 2 15/16" (74.6mm)
Connector: Amp	Shaft Diameter: 5/16" (8mm)
Wires: 2	Amps: 16 amps max
Stud Span: 2 5/16" (58.7mm)	



Part No: 1099012	
Speed: 1	Plug: Packard # 2989591 Connector
Voltage: 12	Length: 4 5/8" (117.5mm)
Rotation: CWSE	Motor Length: 3 7/8" (98.4mm)
Mount: Stud	Shaft Length: 1 9/16" (39.6mm)
Vent: V	Diameter: 2 7/8" (73mm)
Connector: Packard	Shaft Diameter: 5/16" (8mm)
Wires: 2	Stud Span: 2 5/16" (58.7mm)



Part No: 1099013	
Speed: 1	Plug: Orange AMP 60793-1 Connector Black AMP 60799-2 Connector
Voltage: 12	Length: 4 1/4" (108mm)
Rotation: CWSE	Motor Length: 4 1/16" (103mm)
Mount: Strap	Shaft Length: 1 5/16" (33.3mm)
Vent: NV	Diameter: 2 15/16" (74.6mm)
Connector: Amp	Shaft Diameter: 5/16" (8mm)
Wires: 2	Amps: 14.2 amps max
Stud Span: 2 5/16" (58.7mm)	



Part No: 1099014	
Speed: 1	Length: 4 3/4" (120.7mm)
Voltage: 12	Motor Length: 4 1/4" (108mm)
Rotation: CWSE	Shaft Length: 1 1/16" (27mm)
Mount: Flange	Diameter: 3 1/4" (82.6mm)
Vent: V	Shaft Diameter: 5/16" (8mm)
Amps: 16 amps max	

Single Shaft Motors

BLOWER MOTORS



Part No: 1099022



Speed: 1	Plug: Packard # 02984528 Connector
Voltage: 12	Length: 4 1/4" (108mm)
Rotation: CWCE	Motor Length: 4 1/16" (103mm)
Mount: Stud	Shaft Length: 1 13/16" (46mm)
Vent: V	Diameter: 2 15/16" (74.6mm)
Connector: Packard	Shaft Diameter: 5/16" (8mm)
Wires: 2	Amps: 11.5 amps max
Stud Span: 2 5/16" (58.7mm)	

Part No: 1099023



Speed: 1	Plug: Packard # 02984528 Connector
Voltage: 12	Length: 4 1/4" (108mm)
Rotation: CCWSE	Motor Length: 4 1/16" (103mm)
Mount: Stud	Shaft Length: 2 1/8" (52.7mm)
Vent: V	Diameter: 2 15/16" (74.6mm)
Connector: Packard	Shaft Diameter: 5/16" (8mm)
Wires: 2	Amps: 20.5 amps max
Stud Span: 2 5/16" (58.7mm)	

Part No: 1099024



Speed: 1	Plug: Orange AMP 60793-1 Connector Black AMP 60799-2 Connector
Voltage: 12	Length: 3 15/16" (100mm)
Rotation: CWSE	Motor Length: 3 11/16" (93.7mm)
Mount: Stud	Shaft Length: 1 3/8" (35mm)
Vent: V	Diameter: 2 15/16" (74.6mm)
Connector: Amp	Shaft Diameter: 5/16" (8mm)
Wires: 2	Amps: 16 amps max
Stud Span: 2 5/16" (58.7mm)	

Part No: 1099029



Speed: 2	Length: 3 9/16" (90.5mm)
Voltage: 12	Motor Length: 3 1/8" (79.4mm)
Rotation: CWSE	Shaft Length: 1 5/16" (33.3mm)
Mount: Stud	Diameter: 3" (76.2mm)
Vent: V	Shaft Diameter: 5/16" (8mm)
Connector: Bare leads	Amps: 10.16 amps (high), 5.35 amps (low)
Wires: 2	Stud Span: 2 5/16" (58.7mm)

Part No: 1099030



Speed: 2	Plug: AMP #520106-2
Voltage: 12	Length: 5" (127mm)
Rotation: CWSE	Motor Length: 3 9/16" (90mm)
Mount: Stud	Shaft Length: 1 3/8" (35mm)
Vent: V	Diameter: 3" (76.2mm)
Connector: Amp	Shaft Diameter: 5/16" (8mm)
General Specifications: Thermal Protection 160°	Amps: 9.5 amps (high), 4.3 amps (low)
Wires: 3	Stud Span: 2 5/16" (58.7mm)

Part No: 1099032



Speed: 2	Length: 2 7/8" (72.1mm)
Voltage: 12	Motor Length: 2 9/16" (64mm)
Rotation: CCWSE	Shaft Length: 1 3/16" (30.1mm)
Mount: Stud	Diameter: 3" (76.2mm)
Vent: NV	Shaft Diameter: 1/4" (6.4mm)
Connector: Bare leads	Amps: 10 amps max
General Specifications: Internally Grounded	Stud Span: 2 5/16" (58.7mm)
Wires: 2	

Part No: 1099033



Speed: 2	Length: 4 1/16" (103mm)
Voltage: 12	Motor Length: 3 11/16" (93.7mm)
Rotation: CWSE	Shaft Length: 1 3/8" (35mm)
Mount: Stud	Diameter: 3" (76.2mm)
Vent: V	Shaft Diameter: 5/16" (8mm)
Connector: Bare leads	Amps: 10 amps max
Wires: 3	Stud Span: 2 5/16" (58.7mm)

Part No: 1099034



Speed: 1	Length: 4 1/16" (103mm)
Voltage: 12	Motor Length: 3 13/16" (96.8mm)
Rotation: CW/CCW	Shaft Length: 1 7/8" (47.6mm)
Mount: Strap	Diameter: 2 15/16" (74.6mm)
Vent: V	Shaft Diameter: 5/16" (8mm)
Connector: 1/4" male insulated	Amps: 16 amps max
Wires: 2	Stud Span: 2 5/16" (58.7mm)


Part No: 1099038



Speed: 2	Length: 3 9/16" (90.5mm)
Voltage: 12	Motor Length: 3 1/8" (79.4mm)
Rotation: CW/CCW	Shaft Length: 1 7/16" (36.5mm)
Mount: Casebolt	Diameter: 3" (76.2mm)
Vent: V	Shaft Diameter: 5/16" (8mm)
Connector: Bare leads	Amps: 8 amps (high), 4.1 amps (low)
Wires: 5	Stud Span: 2 5/16" (58.67mm)



Part No: 1099040




Speed: 2	Length: 5" (127mm)
Voltage: 12	Motor Length: 3 9/16" (90mm)
Rotation: CWSE	Shaft Length: 1" (25.4mm)
Mount: Casebolt	Diameter: 3" (76.2mm)
Vent: V	Shaft Diameter: 5/16" (8mm)
Connector: Bare leads	Amps: 6.2 amps (high), 3.5 amps (low)
General Specifications: Thermal Protection 135°	Stud Span: 2 5/16" (58.7mm)
Wires: 2	

Part No: 1099050



Speed: 1	Length: 4 11/16" (119mm)
Voltage: 12	Motor Length: 3 11/16" (93.7mm)
Rotation: CW/CCW	Shaft Length: 1 11/16" (42.9mm)
Mount: Stud	Diameter: 3 1/16" (77.8mm)
Vent: V	Shaft Diameter: 5/16" (8mm)
Connector: 1/4" male & female insulated	Stud Span: 2 5/16" (58.7mm)
Wires: 2	

Part No: 1099051




Speed: 2	Length: 4 1/16" (103mm)
Voltage: 12	Motor Length: 3 9/16" (90mm)
Rotation: CWSE	Shaft Length: 1" (25.4mm)
Mount: Stud	Diameter: 3" (76.2mm)
Vent: V	Shaft Diameter: 5/16" (8mm)
Connector: Bare leads	Amps: 9 amps (high), 4.8 amps (low)
General Specifications: Thermal Protection 150°	Stud Span: 2 5/16" (58.7mm)
Wires: 3	

Part No: 1099052



Speed: 1	Plug: Packard #08900420 Connector
Voltage: 12	Length: 4 3/4" (120.7mm)
Rotation: CCWSE	Motor Length: 4 9/16" (116mm)
Mount: Stud	Shaft Length: 1 13/16" (46mm)
Vent: V	Diameter: 2 15/16" (74.6mm)
Connector: Packard	Shaft Diameter: 5/16" (8mm)
Wires: 2	Amps: 17 amps max
Stud Span: 2 5/16" (58.7mm)	

Part No: 1099053



Speed: 1	Length: 5" (127mm)
Voltage: 12	Motor Length: 4 9/16" (116mm)
Rotation: CW	Shaft Length: 1 13/16" (46mm)
Mount: Stud	Diameter: 2 15/16" (74.6mm)
Vent: V	Shaft Diameter: 5/16" (8mm)
Connector: Packard	Amps: 17 amps max
Wires: 2	Stud Span: 2 5/16" (58.7mm)

Part No: 1099054



Speed: 2	Length: 4 7/16" (112.7mm)
Voltage: 12	Motor Length: 3 9/16" (90mm)
Rotation: CWSE	Shaft Length: 1 3/8" (35mm)
Mount: Stud	Diameter: 3" (76.2mm)
Vent: V	Shaft Diameter: 5/16" (8mm)
Connector: Bare leads	Amps: 7.5 amps (high), 4.3 amps (low)
General Specifications: Thermal Protection 140°	Stud Span: 2 5/16" (58.7mm)
Wires: 2	

Part No: 1099055



Speed: 2	Length: 5 15/16" (150.8mm)
Voltage: 12	Motor Length: 3 9/16" (90mm)
Rotation: CW	Shaft Length: 7/8" (22.2mm)
Mount: Stud	Diameter: 3" (76.2mm)
Vent: V	Shaft Diameter: 5/16" (8mm)

Part No: 1099059



Speed: 2	Plug: Packard #02984883 Connector
Voltage: 12	Length: 2 15/16" (74.6mm)
Rotation: CCWSE	Motor Length: 2 9/16" (64mm)
Mount: Stud	Shaft Length: 1" (25.4mm)
Vent: NV	Diameter: 3" (76.2mm)
Connector: Packard, ring terminal	Shaft Diameter: 1/4" (6.4mm)
General Specifications: Thermal Protection 120°	Amps: 4.2 amps (high), 2.5 amps (low)
Wires: 3	Stud Span: 2 5/16" (58.7mm)

Part No: 1099063



Speed: 1	Length: 4 3/4" (120.7mm)
Voltage: 12	Motor Length: 4 1/16" (103mm)
Rotation: CWSE	Width: 4 7/16" (112.3mm)
Mount: Flange	Shaft Length: 1 5/8" (41.3mm)
Vent: V	Diameter: 3" (76.2mm)
Height: 1 1/2" (38.1mm)	Shaft Diameter: 5/16" (8mm)
Connector: Packard	Amps: 20 amps max
General Specifications: RFI Protection	Wires: 2

Single Shaft Motors

BLOWER MOTORS




Part No: 1099064



Speed: 1	Length: 4 1/4" (108mm)
Voltage: 12	Motor Length: 4 1/16" (103mm)
Rotation: CCWCE	Width: 4 7/16" (112.3mm)
Mount: Flange	Shaft Length: 1 11/16" (42.9mm)
Vent: V	Diameter: 3" (76.2mm)
Height: 1 1/2" (38.1mm)	Shaft Diameter: 5/16" (8mm)
Connector: Packard	Amps: 20 amps max
General Specifications: RFI Protection	Wires: 2

Part No: 1099069




Speed: 1	Length: 4 15/16" (125.4mm)
Voltage: 12	Motor Length: 4 11/16" (119mm)
Rotation: CW	Shaft Length: 1 7/8" (47.6mm)
Mount: Bracket	Diameter: 3" (76.2mm)
Vent: V	Shaft Diameter: 5/16" (8mm)

Part No: 1099070



Speed: 1	Plug: Packard #12129081 Connector
Voltage: 12	Length: 4 1/4" (108mm)
Rotation: CWSE	Motor Length: 4 1/16" (103mm)
Mount: Bracket	Shaft Length: 1 13/16" (46mm)
Vent: V	Diameter: 2 15/16" (74.6mm)
Connector: Packard	Shaft Diameter: 5/16" (8mm)
General Specifications: RFI Protection	Amps: 16 amps max
Wires: 2	

Part No: 1099072




Speed: 2	Length: 3 7/8" (98.4mm)
Voltage: 24	Motor Length: 2 9/16" (64mm)
Rotation: CWSE	Shaft Length: 3 7/8" (98.4mm)
Mount: Bracket	Diameter: 3" (76.2mm)
Vent: NV	Shaft Diameter: 1/4" (6.4mm)
Connector: Bare leads	Stud Span: 2 5/16" (58.7mm)
General Specifications: Internally Grounded	Wires: 2

Part No: 1099074



Speed: 2	Length: 3 3/4" (95.3mm)
Voltage: 24	Motor Length: 3 3/8" (85.7mm)
Rotation: CWSE	Shaft Length: 1 7/16" (36.5mm)
Mount: Stud	Diameter: 3" (76.2mm)
Vent: V	Shaft Diameter: 5/16" (8mm)
Connector: Bare leads	Stud Span: 2 5/16" (58.7mm)
Wires: 3	

Part No: 1099075




Speed: 1	Plug: Packard #2984483 Connector
Voltage: 24	Length: 4 7/16" (112.7mm)
Rotation: CCWSE	Motor Length: 4 1/16" (103mm)
Mount: Stud	Shaft Length: 1 5/16" (33.3mm)
Vent: NV	Diameter: 3" (76.2mm)
Shaft Diameter: 5/16" (8mm)	Amps: 10 amps max
Connector: Packard	Stud Span: 2 5/16" (58.7mm)

Part No: 1099080



Speed: 2	Length: 3 1/16" (77.8mm)
Voltage: 12	Motor Length: 2 5/8" (66.4mm)
Rotation: CWSE	Shaft Length: 1 1/8" (28.6mm)
Mount: Stud	Diameter: 3" (76.2mm)
Vent: NV	Shaft Diameter: 1/4" (6.4mm)
Connector: Bare leads	Amps: 4.2 amps (high), 2.2 amps (low)
Wires: 2	Stud Span: 2 5/16" (58.7mm)
General Specifications: Internally Grounded, Thermal Protection 130°	

Part No: 1099087



Speed: 1	Plug: Orange AMP 60793-1 Connector Black AMP 60799-2 Connector
Voltage: 12	Length: 4 11/16" (119mm)
Rotation: CWSE	Motor Length: 4" (101.6mm)
Mount: Strap	Shaft Length: 1 1/4" (31.8mm)
Vent: NV	Diameter: 3 1/16" (77.8mm)
Connector: Amp	Shaft Diameter: 5/16" (8mm)
Wires: 2	Amps: 16 amps max

Part No: 1099088



Speed: 1	Plug: Packard #2977763 Connector
Voltage: 24	Length: 4 1/4" (108mm)
Rotation: REV	Motor Length: 4" (101.6mm)
Mount: Stud	Shaft Length: 1 1/4" (31.8mm)
Vent: V	Diameter: 3" (76.2mm)
Connector: Packard	Shaft Diameter: 5/16" (8mm)
Wires: 2	Amps: 11.3 amps max
Stud Span: 2 1/2" (63.5mm)	



Part No: 1099092



Speed: 1	Length: 4 3/16" (106.4mm)
Voltage: 12	Motor Length: 4" (101.6mm)
Rotation: CWSE	Shaft Length: 1 13/16" (46mm)
Mount: Flange	Diameter: 3" (76.2mm)
Vent: V	Shaft Diameter: 5/16" (8mm)
Connector: Packard	Amps: 17.1 amps max
General Specifications: RFI Protection	Stud Span: 2 5/16" (58.7mm)
Wires: 2	

Part No: 1099094



Speed: 1	Plug: Packard #12129939 Connector
Voltage: 12	Length: 4 15/16" (125.4mm)
Rotation: CCWCE	Motor Length: 4 11/16" (119mm)
Mount: Flange	Shaft Length: 1 11/16" (42.9mm)
Shaft Diameter: 5/16" (8mm)	Diameter: 3 1/16" (77.8mm)
Connector: Packard	Amps: 27 amps
General Specifications: RFI Protection	Wires: 2

Part No: 1099113




Speed: 2	Length: 4 1/4" (108mm)
Voltage: 24	Motor Length: 4 1/16" (103mm)
Rotation: CWSE	Shaft Length: 1 3/8" (35mm)
Mount: Stud	Diameter: 2 15/16" (74.6mm)
Vent: NV	Shaft Diameter: 5/16" (8mm)
Wires: 2	Amps: 8.1 amps max
Stud Span: 2 5/16" (58.7mm)	

Part No: 1099116



Speed: 1	Length: 4 1/16" (103mm)
Voltage: 12	Motor Length: 3 13/16" (96.8mm)
Rotation: REV	Width: 3 1/2" (89mm)
Mount: Stud	Shaft Length: 1 7/8" (47.6mm)
Vent: V	Diameter: 2 15/16" (74.6mm)
Height: 1 9/16" (39.7mm)	Shaft Diameter: 5/16" (8mm)
Connector: 1/4" male insulated	Amps: 16 amps max
Wires: 2	Stud Span: 2 5/16" (58.7mm)

Part No: 1099118



Speed: 2	Length: 4" (101.6mm)
Voltage: 12	Motor Length: 3 9/16" (90mm)
Rotation: CWSE	Shaft Length: 1" (25.4mm)
Mount: Stud	Diameter: 3" (76.2mm)
Vent: V	Shaft Diameter: 5/16" (8mm)
Connector: Bare leads, ring terminal	Amps: 9 amps max
General Specifications: Thermal Protection 160°	Stud Span: 2 5/16" (58.9mm)
Wires: 3	

Part No: 1099122




Speed: 2	Plug: THB #T0870052 Connector
Voltage: 12	Length: 3" (76.2mm)
Rotation: CCWSE	Motor Length: 2 9/16" (64mm)
Mount: Strap	Shaft Length: 1" (25.4mm)
Vent: V	Diameter: 3 1/16" (77.8mm)
Connector: Henan Tianhai, ring terminal	Shaft Diameter: 1/4" (6.4mm)
General Specifications: Thermal Protection 120°	Amps: 4.2 amps (high), 2.5 amps (low)
Wires: 3	Stud Span: 2 5/16" (58.7mm)

Part No: 1099124



Speed: 2	Length: 3" (76.2mm)
Voltage: 12	Motor Length: 2 9/16" (64mm)
Rotation: CWSE	Shaft Length: 1 5/16" (33.3mm)
Mount: Stud	Diameter: 3" (76.2mm)
Vent: NV	Shaft Diameter: 1/4" (6.4mm)
Connector: Bare leads	Amps: 3.6 amps (high), 2.2 amps (low)
Wires: 2	Stud Span: 2 5/16" (58.7mm)
General Specifications: Internally Grounded, Thermal Protection	

Part No: 1099125



Speed: 2	Length: 3" (76.2mm)
Voltage: 12	Motor Length: 2 3/8" (60mm)
Rotation: CWSE	Shaft Length: 1 1/8" (28.6mm)
Mount: Stud	Diameter: 3" (76.2mm)
Vent: NV	Shaft Diameter: 1/4" (6.4mm)
Connector: Bare leads	Amps: 3.6 amps (high), 2.2 amps (low)
Stud Span: 2 5/16" (58.7mm)	

Part No: 1099126



Speed: 1	Plug: W.T. #12010973 Connector
Voltage: 24	Length: 4 7/8" (123.8mm)
Rotation: CWSE	Motor Length: 4 3/16" (106.4mm)
Mount: Stud	Shaft Length: 1 9/16" (39.6mm)
Vent: NV	Diameter: 3 1/16" (77.8mm)
Connector: Weatherpack	Shaft Diameter: 5/16" (8mm)
Wires: 2	Stud Span: 2 1/2" (63.5mm)

Single Shaft Motors

BLOWER MOTORS



Part No: 1099127



Speed: 1	Length: 5 1/8" (130.08mm)
Voltage: 12	Motor Length: 4 11/16" (118.9mm)
Rotation: CCWCE	Shaft Length: 1 21/32" (42.16mm)
Mount: Flange	Diameter: 3 5/64" (77.98mm)
Vent: V	Shaft Diameter: 5/16" (8mm)
Connector: Packard	Amps: 27 amps
General Specifications: RFI Protection	Wires: 2

Part No: 1099128



Speed: 1	Plug: Sebros #1531 & 1461 Connector
Voltage: 12	Length: 4 3/4" (120.7mm)
Rotation: CCWCE	Motor Length: 4 9/16" (116mm)
Mount: Stud	Shaft Length: 1 5/8" (41.3mm)
Vent: V	Diameter: 2 15/16" (74.6mm)
Wires: 2	Shaft Diameter: 5/16" (8mm)
Stud Span: 2 5/16" (58.7mm)	Amps: 26.5 amps max

Part No: 1099135



Speed: 2	Plug: AMP #350767-1 Connector
Voltage: 12	Length: 4" (101.6mm)
Rotation: CWSE	Motor Length: 3 9/16" (90mm)
Mount: Stud	Shaft Length: 1 3/16" (30.1mm)
Vent: V	Diameter: 3" (76.2mm)
Connector: Amp	Shaft Diameter: 5/16" (8mm)
General Specifications: Thermal Protection 160°	Amps: 9 amp max
Wires: 3	Stud Span: 2 5/16" (58.9mm)

Part No: 1099137



Speed: 1	Plug: Waytek #32714 Connector
Voltage: 12	Length: 4 1/2" (114.3mm)
Rotation: CWSE	Motor Length: 4 5/16" (109.5mm)
Mount: Flange	Shaft Length: 1 3/16" (30.1mm)
Vent: V	Diameter: 2 15/16" (74.6mm)
Connector: Waytek	Shaft Diameter: 5/16" (8mm)
Wires: 2	Amps: 16 amps max

Part No: 1099146



Speed: 1	Plug: Yakaki #7783-6458-40 Connector
Voltage: 12	Length: 4 3/4" (120.7mm)
Rotation: CCWLE	Motor Length: 4 9/16" (116mm)
Mount: Stud	Shaft Length: 1 5/8" (41.3mm)
Vent: V	Diameter: 2 15/16" (74.6mm)
Connector: Yazaki	Shaft Diameter: 5/16" (8mm)
Wires: 2	Amps: 26.5 amps max
Stud Span: 2 5/16" (58.7mm)	

Part No: 1099150



Speed: 1	Length: 3" (76.2mm)
Voltage: 24	Motor Length: 2 15/16" (75.5mm)
Rotation: CCWCE	Shaft Length: 1 3/16" (30.1mm)
Mount: Stud	Diameter: 2 15/16" (74.6mm)
Vent: NV	Shaft Diameter: 1/4" (6.4mm)
Connector: Bare leads	Amps: 2.5 amps max
Stud Span: 5/16" (58.7mm)	

Part No: 1099157



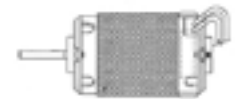
Speed: 1	Plug: Sebros #1531 & 1461 Connector
Voltage: 12	Length: 4 3/4" (120.7mm)
Rotation: CCWCE	Motor Length: 4 9/16" (116mm)
Mount: Stud	Shaft Length: 1 5/8" (41.3mm)
Vent: V	Diameter: 2 15/16" (74.6mm)
Wires: 2	Shaft Diameter: 5/16" (8mm)
Stud Span: 2 5/16" (58.7mm)	Amps: 26.5 amps max

Part No: 1099159

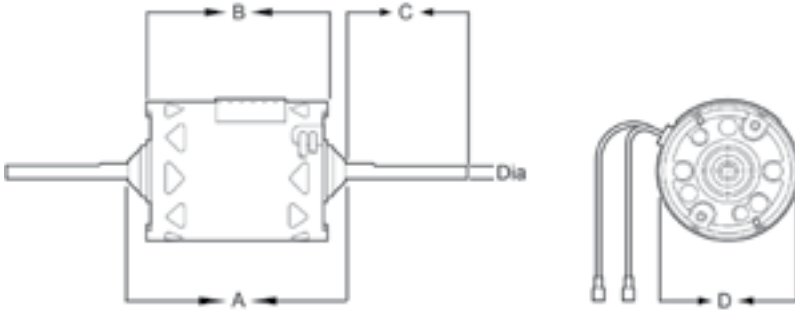


Speed: 1	Plug: AMP 12-#10 Ring Terminal
Voltage: 12V	Length: 7 5/16" (185.7mm)
Rotation: CCWSE	Motor Length: 5 5/16" (135mm)
Mount: Strap	Shaft Length: 2" (50.8mm)
Vent: V	Diameter: 3" (76.2mm)
Connector: Ring Terminal	Shaft Diameter: 5/16" (8mm)
Wires: 2	Amps: 29 Amps
Stud Span: 2 5/16" (58.7mm)	

Part No: 1099160



Speed: 1	Plug: AMP 12-#10 Ring Terminal
Voltage: 12V	Length: 6 13/16" (173mm)
Rotation: CCWSE	Motor Length: 4 13/16" (122.2mm)
Mount: Strap	Shaft Length: 2" (50.8mm)
Vent: V	Diameter: 3" (76.2mm)
Connector: Ring Terminal	Shaft Diameter: 5/16" (8mm)
Wires: 2	Amps: 16.5 Amps
Stud Span: 2 5/16" (58.7mm)	



Double Shaft Motors

Notes:

On single shaft motor, rotation is determined by viewing motor from shaft end.

Legend:

A = Overall Length
 B = Motor Length
 C = Shaft Length
 D = Motor Diameter
 Dia = Shaft Diameter
 CE = Closed End
 SE = Shaft End

5/16" Shaft Diameter Double Motor Specifications

Overall Length (A)	Motor Length (B)	Shaft Length (C)	Motor Diameter (D)	Speed	Volt	Rotation	Mount	Shaft Diameter	Vent	Part No
3 1/2" (88.9mm)	3" (76.2mm)	3" (76.2mm)	3" (76.2mm)	3	12	CW/CCW	Strap	5/16" (8mm)	NV	1099048
3 3/4" (95.3mm)	3 7/16" (86.5mm)	3 1/8" (79.4mm)	3" (76.2mm)	3	12	CCW	Stud	5/16" (8mm)	V	1011015
4" (101.6mm)	3 3/8" (85.7mm)	3 1/8" (79.4mm)	3" (76.2mm)	1	12	CCW	Strap	5/16" (8mm)	V	1099015
4 3/8" (111.1mm)	4 1/16" (103mm)	2 13/16" (71.4mm)	2 15/16" (74.6mm)	1	12	CCWCE	Strap	5/16" (8mm)	V	1099047
4 7/16" (112.7mm)	3 11/16" (93.7mm)	3 1/16" (77.8mm)	3" (76.2mm)	1	24	CCWCE	Strap	5/16" (8mm)	V	1075011
4 7/16" (112.7mm)	3 11/16" (93.7mm)	3 1/16" (77.8mm)	3" (76.2mm)	1	12	CCWCE	Strap	5/16" (8mm)	V	1075051
4 1/2" (114.3mm)	4 1/16" (103mm)	2 13/16" (71.4mm)	2 15/16" (74.6mm)	1	12	CCWCE	Strap	5/16" (8mm)	V	1099002
4 1/2" (114.3mm)	4 1/16" (103mm)	2 9/16" (65mm)	2 15/16" (74.6mm)	1	12	CCWCE	Stud	5/16" (8mm)	V	1099004
4 1/2" (114.3mm)	4 1/16" (103mm)	3 13/16" (95.9mm)	2 15/16" (74.6mm)	1	12	CCWCE	Strap	5/16" (8mm)	V	1099021
4 1/2" (114.3mm)	4 1/16" (103mm)	2 13/16" (71.4mm)	2 15/16" (74.6mm)	1	12	CCWCE	Strap	5/16" (8mm)	V	1099104
4 9/16" (115.9mm)	4 3/8" (111.1mm)	2 7/8" (71.8mm)	3 1/16" (77.8mm)	1	12	CCWCE	Strap	5/16" (8mm)	V	1099018
4 3/4" (120.7mm)	4 5/16" (109.5mm)	2 15/16" (74.6mm)	2 15/16" (74.6mm)	1	12	CCWCE	Stud	5/16" (8mm)	V	1099049
4 7/8" (123.8mm)	4 1/2" (114.3mm)	3 1/16" (77.8mm)	2 15/16" (74.6mm)	1	12	CCWCE	Strap	5/16" (8mm)	V	1017003
4 7/8" (123.8mm)	4 9/16" (116mm)	2 5/8" (66.7mm)	2 15/16" (74.6mm)	1	12	CCWCE	Stud	5/16" (8mm)	V	1099026
4 13/16" (122.2mm)	4 5/16" (109.5mm)	2 15/16" (74.6mm)	2 15/16" (74.6mm)	1	24	CCWCE	Strap	5/16" (8mm)	NV	1075014
4 13/16" (122.2mm)	4 3/8" (111.1mm)	2 5/8" (66.7mm)	3 1/8" (78mm)	1	24	CCWCE	Strap	5/16" (8mm)	V	1075015
4 13/16" (122.2mm)	4 3/8" (111.1mm)	2 5/8" (66.7mm)	3 1/8" (78mm)	1	12	CCWCE	Strap	5/16" (8mm)	V	1075033
4 13/16" (122.2mm)	4 1/16" (103mm)	2 1/2" (63.5mm)	3" (76.2mm)	1	24	CCWCE	Stud	5/16" (8mm)	V	1099019
4 15/16" (125.4mm)	3 15/16" (100mm)	2 11/16" (68.3mm)	3 1/16" (77.8mm)	1	24	CCWLE	Stud	5/16" (8mm)	V	1099147
5" (127mm)	4 9/16" (116mm)	2 9/16" (65mm)	2 15/16" (74.6mm)	1	12	CCWCE	Strap	5/16" (8mm)	V	1099020
5" (127mm)	4 9/16" (116mm)	2 9/16" (65mm)	2 15/16" (74.6mm)	1	12	CCWCE	Strap	5/16" (8mm)	V	1075036
5 5/16" (134.9mm)	4 9/16" (116mm)	2 3/8" (60.3mm)	2 15/16" (74.6mm)	1	12	CCWCE	-	5/16" (8mm)	V	1014006
5 7/16" (138.1mm)	4 9/16" (116mm)	2 13/16" (71.4mm)	3 1/16" (77.8mm)	1	12	CCWCE	Strap	5/16" (8mm)	NV	1099081
5 9/16" (134.1mm)	4 9/16" (116mm)	2 5/16" (58.2mm)	2 15/16" (74.6mm)	1	12	CCWCE	Strap	5/16" (8mm)	V	1099025

Double Shaft Motors

BLOWER MOTORS



Part No: 1011015



Speed: 3	Length: 3 3/4" (95.3mm)
Voltage: 12	Motor Length: 3 7/16" (86.5mm)
Rotation: CCW	Shaft Length: 3 1/8" (79.4mm)
Mount: Stud	Diameter: 3" (76.2mm)
Vent: V	Shaft Diameter: 5/16" (8mm)

Part No: 1014006



Speed: 1	Length: 5 5/16" (134.9mm)
Voltage: 12	Motor Length: 4 9/16" (116mm)
Rotation: CCWCE	Shaft Length: 2 3/8" (60.3mm)
Vent: V	Diameter: 2 15/16" (74.6mm)
Connector: Amp	Shaft Diameter: 5/16" (8mm)
General Specifications: RFI Protection	
Amps: 23 amps max	
Wires: 2	

Part No: 1017003



Speed: 1	Plug: Packard #2984528 Connector
Voltage: 12	Length: 4 7/8" (123.8mm)
Rotation: CCWCE	Motor Length: 4 1/2" (114.3mm)
Mount: Strap	Shaft Length: 3 1/16" (77.8mm)
Vent: V	Diameter: 2 15/16" (74.6mm)
Connector: Packard	Shaft Diameter: 5/16" (8mm)
Wires: 2	Amps: 16.5 amps max
Stud Span: 2 5/16" (58.7mm)	

Part No: 1075011



Speed: 1	Plug: Orange AMP 60793-1 Connector Black AMP 60799-2 Connector
Voltage: 24	Length: 4 7/16" (112.7mm)
Rotation: CCWCE	Motor Length: 3 11/16" (93.7mm)
Mount: Strap	Shaft Length: 3 1/16" (77.8mm)
Vent: V	Diameter: 3" (76.2mm)
Connector: Amp	Shaft Diameter: 5/16" (8mm)
Wires: 2	Amps: 10.5 amps max

Part No: 1075014



Speed: 1	Length: 4 13/16" (122.2mm)
Voltage: 24	Motor Length: 4 5/16" (109.5mm)
Rotation: CCWCE	Shaft Length: 2 15/16" (74.6mm)
Mount: Strap	Diameter: 2 15/16" (74.6mm)
Vent: NV	Shaft Diameter: 5/16" (8mm)
Connector: Amp	Amps: 10.5 amps max
Wires: 2	Stud Span: 2 5/16" (58.7mm)

Part No: 1075015



Speed: 1	Length: 4 13/16" (122.2mm)
Voltage: 24	Motor Length: 4 3/8" (111.1mm)
Rotation: CCWCE	Shaft Length: 2 5/8" (66.7mm)
Mount: Strap	Diameter: 3 1/8" (78mm)
Vent: V	Shaft Diameter: 5/16" (8mm)
Connector: Bare leads	Stud Span: 2 1/2" (63.5mm)
Wires: 2	

Part No: 1075033



Speed: 1	Length: 4 13/16" (122.2mm)
Voltage: 12	Motor Length: 4 3/8" (111.1mm)
Rotation: CCWCE	Shaft Length: 2 5/8" (66.7mm)
Mount: Strap	Diameter: 3 1/8" (78mm)
Vent: V	Shaft Diameter: 5/16" (8mm)
Connector: Amp	Stud Span: 2 1/2" (63.5mm)
Wires: 2	

Part No: 1075036



Speed: 1	Length: 5" (127mm)
Voltage: 12	Motor Length: 4 9/16" (116mm)
Rotation: CCWCE	Shaft Length: 2 9/16" (65mm)
Mount: Strap	Diameter: 2 15/16" (74.6mm)
Vent: V	Shaft Diameter: 5/16" (8mm)
Connector: Amp	Amps: 25 amps max
Wires: 2	Stud Span: 2 5/16" (58.7mm)

Part No: 1075051



Speed: 1	Plug: Orange AMP 60793-1 Connector Black AMP 60799-2 Connector
Voltage: 12	Length: 4 7/16" (112.7mm)
Rotation: CCWCE	Motor Length: 3 11/16" (93.7mm)
Mount: Strap	Shaft Length: 3 1/16" (77.8mm)
Vent: V	Diameter: 3" (76.2mm)
Connector: Amp	Shaft Diameter: 5/16" (8mm)
Wires: 2	Amps: 19.5 amps max


Double Shaft Motors

2

BLOWER MOTORS




Part No: 1099002



Speed: 1	Length: 4 1/2" (114.3mm)
Voltage: 12	Motor Length: 4 1/16" (103mm)
Rotation: CCWCE	Shaft Length: 2 13/16" (71.4mm)
Mount: Strap	Diameter: 2 15/16" (74.6mm)
Vent: V	Shaft Diameter: 5/16" (8mm)
Connector: Amp	Amps: 18 amps max
Wires: 2	Stud Span: 2 5/16" (58.7mm)

Part No: 1099004



Speed: 1	Length: 4 1/2" (114.3mm)
Voltage: 12	Motor Length: 4 1/16" (103mm)
Rotation: CCWCE	Shaft Length: 2 9/16" (65mm)
Mount: Stud	Diameter: 2 15/16" (74.6mm)
Vent: V	Shaft Diameter: 5/16" (8mm)
Connector: Amp	Amps: 21 amps max
Wires: 2	Stud Span: 2 5/16" (58.7mm)

Part No: 1099015




Speed: 1	Length: 4" (101.6mm)
Voltage: 12	Motor Length: 3 3/8" (85.7mm)
Rotation: CCW	Shaft Length: 3 1/8" (79.4mm)
Mount: Strap	Diameter: 3" (76.2mm)
Vent: V	Shaft Diameter: 5/16" (8mm)

Part No: 1099018




Speed: 1	Length: 4 9/16" (115.9mm)
Voltage: 12	Motor Length: 4 3/8" (111.1mm)
Rotation: CCWCE	Shaft Length: 2 7/8" (71.8mm)
Mount: Strap	Diameter: 3 1/16" (77.8mm)
Vent: V	Shaft Diameter: 5/16" (8mm)
Connector: Amp	Wires: 2

Part No: 1099019




Speed: 1	Length: 4 13/16" (122.2mm)
Voltage: 24	Motor Length: 4 1/16" (103mm)
Rotation: CCWCE	Shaft Length: 2 1/2" (63.5mm)
Mount: Stud	Diameter: 3" (76.2mm)
Vent: V	Shaft Diameter: 5/16" (8mm)
Connector: Amp	Stud Span: 2 5/16" (58.7mm)
Wires: 2	

Part No: 1099020




Speed: 1	Length: 5" (127mm)
Voltage: 12	Motor Length: 4 9/16" (116mm)
Rotation: CCWCE	Shaft Length: 2 9/16" (65mm)
Mount: Strap	Diameter: 2 15/16" (74.6mm)
Vent: V	Shaft Diameter: 5/16" (8mm)
Connector: Amp	Amps: 25 amps max
Wires: 2	

Part No: 1099021




Speed: 1	Plug: AMP # 640416-2
Voltage: 12	Length: 4 1/2" (114.3mm)
Rotation: CCWCE	Motor Length: 4 1/16" (103mm)
Mount: Strap	Shaft Length: 3 13/16" (95.9mm)
Vent: V	Diameter: 2 15/16" (74.6mm)
Wires: 2	Shaft Diameter: 5/16" (8mm)
Stud Span: 2 5/16" (58.7mm)	Amps: 16.5 amps max

Part No: 1099025



Speed: 1	Length: 5 9/16" (134.1mm)
Voltage: 12	Motor Length: 4 9/16" (116mm)
Rotation: CCWCE	Shaft Length: 2 5/16" (58.2mm)
Mount: Strap	Diameter: 2 15/16" (74.6mm)
Vent: V	Shaft Diameter: 5/16" (8mm)
Connector: Amp	Amps: 23.5 amps
Wires: 2	Stud Span: 2 5/16" (58.7mm)

Part No: 1099026



Speed: 1	Plug: Packard #2973781 Connector
Voltage: 12	Length: 4 7/8" (123.8mm)
Rotation: CCWCE	Motor Length: 4 9/16" (116mm)
Mount: Stud	Shaft Length: 2 5/8" (66.7mm)
Vent: V	Diameter: 2 15/16" (74.6mm)
Wires: 2	Shaft Diameter: 5/16" (8mm)
Stud Span: 2 5/16" (58.7mm)	Amps: 23.5 amps max

Double Shaft Motors

BLOWER MOTORS



Part No: 1099047



Speed: 1	Length: 4 3/8" (111.1mm)
Voltage: 12	Motor Length: 4 1/16" (103mm)
Rotation: CCWCE	Shaft Length: 2 13/16" (71.4mm)
Mount: Strap	Diameter: 2 15/16" (74.6mm)
Vent: V	Shaft Diameter: 5/16" (8mm)
Connector: Amp	Amps: 21 amps max
Wires: 2	Stud Span: 2 5/16" (58.7mm)

Part No: 1099048



Speed: 3	Length: 3 1/2" (88.9mm)
Voltage: 12	Motor Length: 3" (76.2mm)
Rotation: CW/CCW	Shaft Length: 3" (76.2mm)
Mount: Strap	Diameter: 3" (76.2mm)
Vent: NV	Shaft Diameter: 5/16" (8mm)

Part No: 1099049



Speed: 1	Length: 4 3/4" (120.7mm)
Voltage: 12	Motor Length: 4 5/16" (109.5mm)
Rotation: CCWCE	Shaft Length: 2 15/16" (74.6mm)
Mount: Stud	Diameter: 2 15/16" (74.6mm)
Vent: V	Shaft Diameter: 5/16" (8mm)
Connector: Amp	Amps: 21 amps max
Wires: 2	Stud Span: 2 5/16" (58.7mm)

Part No: 1099081



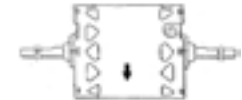
Speed: 1	Plug: Packard #2973781 Connector
Voltage: 12	Length: 5 7/16" (138.1mm)
Rotation: CCWCE	Motor Length: 4 9/16" (116mm)
Mount: Strap	Shaft Length: 2 13/16" (71.4mm)
Vent: NV	Diameter: 3 1/16" (77.8mm)
Connector: Packard	Shaft Diameter: 5/16" (8mm)
Wires: 2	Amps: 20 amps max

Part No: 1099104



Speed: 1	Length: 4 1/2" (114.3mm)
Voltage: 12	Motor Length: 4 1/16" (103mm)
Rotation: CCWCE	Shaft Length: 2 13/16" (71.4mm)
Mount: Strap	Diameter: 2 15/16" (74.6mm)
Vent: V	Shaft Diameter: 5/16" (8mm)
Connector: Bare leads	Amps: 17.2 amps max
Wires: 2	Stud Span: 2 5/16" (58.7mm)

Part No: 1099147



Speed: 1	Length: 4 15/16" (125.4mm)
Voltage: 24	Motor Length: 3 15/16" (100mm)
Rotation: CCWLE	Shaft Length: 2 11/16" (68.3mm)
Mount: Stud	Diameter: 3 1/16" (77.8mm)
Vent: V	Shaft Diameter: 5/16" (8mm)
Connector: Amp	Wires: 2



Legend:

- A = Overall Length
- B = Width
- C = Height
- D = Diameter
- CE = Closed End
- LE = Lead End

Blower Assembly Specifications

Overall Length (A)	Width (B)	Height (C)	Diameter (D)	Speed	Volt	Rotation	Mount	Vent	Wires	Part No
4 1/2" (114.3mm)	6 1/2" (165mm)	6 7/8" (174mm)	7 5/8" (193mm)	1	12	CCWCE	Strap	-	V	1075018
4 11/16" (119mm)	-	5 1/16" (128.6mm)	5 3/4" (146mm)	2	12	CCW	-	-	-	1099120
6 15/16" (176.2mm)	-	-	7 3/4" (196.8mm)	1	12	CCWLE	-	-	-	1099130
9 13/16" (249mm)	4 1/16" (103mm)	2" (50.8mm)	2 15/16" (74.6mm)	1	12	CW	Strap	5/16" (8mm)	V	1018006
12 7/8" (326mm)	-	4 1/2" (114mm)	5 1/8" (129mm)	1	12	CW	-	-	-	1075043
12 7/8" (326mm)	4 1/2" (114.3mm)	4 1/2" (114mm)	5 1/8" (129mm)	1	24	CCWCE	Strap	-	V	1075047
13 3/4" (349.3mm)	5 3/8" (136.5mm)	5 1/8" (130.2mm)	-	1	12	CWLE	Strap	-	V	1012010
13 3/4" (349.3mm)	5 5/16" (135mm)	5 33/64" (140mm)	6 5/8" (168mm)	1	12	CWLE	Strap	-	V	1099097
13 13/16" (350.8mm)	5 5/16" (135mm)	5 9/16" (141.3mm)	6 11/16" (170mm)	1	12	CCWLE	Strap	-	V	1075020
13 13/16" (350.8mm)	5 5/16" (135mm)	5 9/16" (141.3mm)	6 11/16" (170mm)	1	24	CCWCE	Strap	-	-	1075025
13 13/16" (350.8mm)	-	5 9/16" (141.3mm)	6 11/16" (170mm)	1	12	CCWLE	Strap	-	-	1075028
13 13/16" (350.8mm)	5 5/16" (135mm)	5 9/16" (141.3mm)	6 11/16" (170mm)	1	12	CWCE	Strap	-	V	1075044
13 13/16" (350.8mm)	5 5/16" (135mm)	5 9/16" (141.3mm)	6 11/16" (170mm)	1	24	CWCE	Strap	-	-	1075046
13 13/16" (350.8mm)	5 5/16" (135mm)	5 9/16" (141.3mm)	6 11/16" (170mm)	1	24	CCWCE	Strap	-	V	1075048
13 13/16" (350.8mm)	5 5/16" (135mm)	5 9/16" (141.3mm)	6 5/8" (168mm)	1	12	CCWCE	Strap	-	V	1099095
13 13/16" (350.52mm)	5 5/16" (135.38mm)	5 1/2" (139.7mm)	6 39/64" (167.64mm)	1	12	CCWCE	-	5/16" (8mm)	V	1099131
13 13/16" (351mm)	5 23/64" (136mm)	5 33/64" (140mm)	6 37/64" (167mm)	-	24	-	-	-	-	1099138
13 13/16" (351mm)	5 23/64" (136mm)	-	6 19/32" (167.5mm)	-	-	-	-	-	-	1099151
13 13/16" (351mm)	5 23/64" (136mm)	-	6 37/64" (167mm)	-	-	-	-	-	-	1099154
13 7/8" (352.3mm)	4 1/8" (105mm)	4 7/16" (112.7mm)	5" (127mm)	1	12	CCWLE	Strap	-	-	1075023
13 7/8" (352.3mm)	3 31/32" (101mm)	-	5" (127mm)	-	12	CCWCE	-	-	-	1075056
13 7/8" (352.3mm)	3 31/32" (101mm)	-	5" (127mm)	-	24	CCWCE	-	-	-	1075057
13 7/8" (352.3mm)	4" (101.6mm)	4 1/4" (108mm)	5" (127mm)	3	12	CCWCE	Strap	5/16" (8mm)	-	1099077



Blower Assemblies

Blower Assembly Specifications

BLOWER MOTORS



Overall Length (A)	Width (B)	Height (C)	Diameter (D)	Speed	Volt	Rotation	Mount	Vent	Wires	Part No
13 7/8" (352.3mm)	4" (101.6mm)	4 1/4" (108mm)	5" (127mm)	2	12	CCWLE	Strap	-	-	1099090
13 7/8" (352.3mm)	4" (101.6mm)	4 1/4" (108mm)	5" (127mm)	3	12	-	-	-	-	1099098
13 7/8" (352.3mm)	3 63/64" (101.3mm)	4 15/64" (107.5mm)	5" (127mm)	2	12	CCWCE	-	-	-	1099121
13 7/8" (352.3mm)	3 63/64" (101.3mm)	4 15/64" (107.5mm)	5" (127mm)	3	12	CCWCE	-	-	-	1099132
13 15/16" (354mm)	4 1/8" (105mm)	4 7/16" (112.7mm)	5" (127mm)	1	24	CCWLE	Strap	-	-	1075024
14 13/16" (376mm)	6 1/2" (165mm)	6 27/32" (174mm)	7 19/32" (193mm)	1	12	CCWCE	-	5/16" (8mm)	V	1099136
14 13/16" (376mm)	6 1/2" (165mm)	2 11/16" (68.3mm)	7 5/16" (186mm)	1	12	CCWCE	Strap	5/16" (8mm)	V	1099161
-	-	-	-	-	12	CWSE	-	-	0	1018009
12 29/32" (328mm)	6 13/32" (162.56mm)	6 25/64" (162mm)	8 7/32" (209mm)	1	12	CCWCE	-	-	V	1013011
-	-	-	-	3	12V	CWSE	-	-	V	1075059
12 53/64" (326mm)	4 1/4" (108.1mm)	4 31/64" (114mm)	5 5/64" (129mm)	3	12	CCWCE	-	-	V	1099119
13 53/64" (351mm)	5 23/64" (136mm)	5 33/64" (140mm)	6 37/64" (167mm)	-	24	-	-	-	-	1099134
-	-	-	-	-	-	-	-	-	-	1099155
13 25/32" (350mm)	5 5/16" (135.18mm)	5 33/64" (140mm)	6 21/32" (169mm)	-	-	-	-	-	-	1099156

Blower Assemblies

2

BLOWER MOTORS



Part No: 1012010



Speed: 1	Length: 13 3/4" (349.3mm)
Voltage: 12	Motor Length: 5 3/8" (136.5mm)
Rotation: CWLE	Width: 5 3/8" (136.5mm)
Mount: Strap	Shaft Length: 5 1/8" (130.2mm)
Vent: V	Height: 5 1/8" (130mm)

Part No: 1013011



Speed: 1	Length: 12 29/32" (328mm)
Voltage: 12	Motor Length: 6 13/32" (162.56mm)
Rotation: CCWCE	Width: 6 2/5" (162.56mm)
Vent: V	Shaft Length: 6 25/64" (162mm)
Wires: 2	Diameter: 8 7/32" (209mm)
General Specifications: RFI Protection	
Amps: 23.4 amps	

Part No: 1018006



Speed: 1	Length: 9 13/16" (249mm)
Voltage: 12	Motor Length: 4 1/16" (103mm)
Rotation: CW	Shaft Length: 2" (50.8mm)
Mount: Strap	Diameter: 2 15/16" (74.6mm)
Vent: V	Shaft Diameter: 5/16" (8mm)
Connector: Packard	Amps: 25.7 amps
Wires: 2	

Part No: 1018009




Voltage: 12	Rotation: CWSE
-------------	----------------

Part No: 1075018



Speed: 1	Length: 4 1/2" (114.3mm)
Voltage: 12	Motor Length: 6 1/2" (165mm)
Rotation: CCWCE	Width: 6 1/16" (154.1mm)
Mount: Strap	Shaft Length: 6 7/8" (174mm)
Vent: V	Diameter: 7 5/8" (193mm)
Height: 6 7/8" (174mm)	Amps: 21 amps max
Wires: 2	

Part No: 1075020



Speed: 1	Length: 13 13/16" (350.8mm)
Voltage: 12	Motor Length: 5 5/16" (135mm)
Rotation: CCWLE	Width: 5 3/8" (136.5mm)
Mount: Strap	Shaft Length: 5 9/16" (141.3mm)
Vent: V	Diameter: 6 11/16" (170mm)
Height: 5 9/16" (140mm)	Amps: 20 amps max
General Specifications: RFI Protection	
Wires: 2	

Part No: 1075023



Speed: 1	Length: 13 7/8" (352.3mm)
Voltage: 12	Motor Length: 4 1/8" (105mm)
Rotation: CCWLE	Width: 4 1/8" (105mm)
Mount: Strap	Shaft Length: 4 7/16" (112.7mm)
Height: 4 7/16" (112.3mm)	Diameter: 5" (127mm)
Wires: 2	
Amps: 16 amps max	

Part No: 1075024



Speed: 1	Length: 13 15/16" (354mm)
Voltage: 24	Motor Length: 4 1/8" (105mm)
Rotation: CCWLE	Width: 4 1/8" (105mm)
Mount: Strap	Shaft Length: 4 7/16" (112.7mm)
Height: 4 7/16" (112.3mm)	Diameter: 5" (127mm)

Part No: 1075025



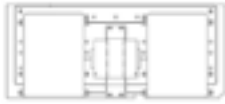
Speed: 1	Length: 13 13/16" (350.8mm)
Voltage: 24	Motor Length: 5 5/16" (135mm)
Rotation: CCWCE	Width: 5 5/16" (135mm)
Mount: Strap	Shaft Length: 5 9/16" (141.3mm)
Height: 5 1/2" (139.7mm)	Diameter: 6 11/16" (170mm)
General Specifications: RFI Protection	
Amps: 15.8 amps max	
Wires: 2	

Blower Assemblies

BLOWER MOTORS



Part No: 1075028



Speed: 1	Length: 13 13/16" (350.8mm)
Voltage: 12	Width: 5 5/16" (135mm)
Rotation: CCWLE	Shaft Length: 5 9/16" (141.3mm)
Mount: Strap	Diameter: 6 11/16" (170mm)
Height: 5 1/2" (139.7mm)	

Part No: 1075043



Speed: 1	Length: 12 7/8" (326mm)
Voltage: 12	Shaft Length: 4 1/2" (114mm)
Rotation: CW	Diameter: 5 1/8" (129mm)

Part No: 1075044



Speed: 1	Length: 13 13/16" (350.8mm)
Voltage: 12	Motor Length: 5 5/16" (135mm)
Rotation: CWCE	Width: 5 5/16" (135mm)
Mount: Strap	Shaft Length: 5 9/16" (141.3mm)
Vent: V	Diameter: 6 11/16" (170mm)
Height: 5 1/2" (139.7mm)	Amps: 22 amps

Part No: 1075046



Speed: 1	Length: 13 13/16" (350.8mm)
Voltage: 24	Motor Length: 5 5/16" (135mm)
Rotation: CWCE	Width: 5 5/16" (135mm)
Mount: Strap	Shaft Length: 5 9/16" (141.3mm)
Height: 5 1/2" (139.7mm)	Diameter: 6 11/16" (170mm)

Part No: 1075047



Speed: 1	Length: 12 7/8" (326mm)
Voltage: 24	Motor Length: 4 1/2" (114.3mm)
Rotation: CCWCE	Width: 4 1/2" (114.3mm)
Mount: Strap	Shaft Length: 4 1/2" (114mm)
Vent: V	Diameter: 5 1/8" (129mm)
Amps: 35 amps	

Part No: 1075048



Speed: 1	Length: 13 13/16" (350.8mm)
Voltage: 24	Motor Length: 5 5/16" (135mm)
Rotation: CCWCE	Width: 5 5/16" (135mm)
Mount: Strap	Shaft Length: 5 9/16" (141.3mm)
Vent: V	Diameter: 6 11/16" (170mm)
Height: 5 1/2" (139.7mm)	Amps: 16.5 amps

Part No: 1075056



Voltage: 12	Plug: Henan Tianhai #1000348172
Rotation: CCWCE	Length: 13 7/8" (352.3mm)
General Specifications: Thermal Protection 160°	Motor Length: 3 31/32" (101mm)
Amps: 18.5 amps max	Diameter: 5" (127mm)

Part No: 1075057



Voltage: 24	Plug: Henan Tianhai #1000348172
Rotation: CCWCE	Length: 13 7/8" (352.3mm)
General Specifications: Thermal Protection 160°	Motor Length: 3 31/32" (101mm)
Wires: 2	Diameter: 5" (127mm)
Amps: 18.5 amps max	

Part No: 1075059



Speed: 3	Amps: 22.5 amps max
Voltage: 12V	Vent: V
Rotation: CWSE	



Part No: 1099077



Speed: 3	Plug: Packard #12015664 Connector
Voltage: 12	Length: 13 7/8" (352.3mm)
Rotation: CCWCE	Motor Length: 4" (101.6mm)
Mount: Strap	Width: 4" (101.6mm)
Height: 4 1/4" (108mm)	Shaft Length: 4 1/4" (108mm)
General Specifications: Thermal Protection 160°	Diameter: 5" (127mm)
Wires: 4	Shaft Diameter: 5/16" (8mm)
Amps: 18.5 amps max	

Part No: 1099090



Speed: 2	Plug: Packard #12124753
Voltage: 12	Length: 13 7/8" (352.3mm)
Rotation: CCWLE	Motor Length: 4" (101.6mm)
Mount: Strap	Width: 4" (101.6mm)
Height: 4 1/4" (108mm)	Shaft Length: 4 1/4" (108mm)
General Specifications: Thermal Protection 160°	Diameter: 5" (127mm)
Wires: 3	Amps: 18.5 amps max

Part No: 1099095



Speed: 1	Plug: Packard #2064750 Connector
Voltage: 12	Length: 13 13/16" (350.8mm)
Rotation: CCWCE	Motor Length: 5 5/16" (135mm)
Mount: Strap	Width: 5 3/8" (136.5mm)
Vent: V	Shaft Length: 5 9/16" (141.3mm)
Height: 5 9/16" (140mm)	Diameter: 6 5/8" (168mm)
General Specifications: RFI Protection	Amps: 20 amps max
Wires: 2	

Part No: 1099097



Speed: 1	Length: 13 3/4" (349.3mm)
Voltage: 12	Motor Length: 5 5/16" (135mm)
Rotation: CWLE	Width: 5 5/16" (135mm)
Mount: Strap	Shaft Length: 5 33/64" (140mm)
Vent: V	Diameter: 6 5/8" (168mm)
Height: 5 1/2" (139.7mm)	Amps: 36 amps

Part No: 1099098



Speed: 3	Length: 13 7/8" (352.3mm)
Voltage: 12	Motor Length: 4" (101.6mm)
Wires: 4	Shaft Length: 4 1/4" (108mm)
General Specifications: Thermal Protection 140°	Diameter: 5" (127mm)
Amps: 14.2 amps max	

Part No: 1099119



Speed: 3	Length: 12 53/64" (326mm)
Voltage: 12	Motor Length: 4 1/4" (108.1mm)
Rotation: CCWCE	Width: 4 1/4" (107.95mm)
Vent: V	Shaft Length: 4 31/64" (114mm)
Height: 4 31/64" (113.9mm)	Diameter: 5 5/64" (129mm)
General Specifications: with Resistor	Amps: 36.38 amps

Part No: 1099120



Speed: 2	Plug: AMP #770025-1 Connector
Voltage: 12	Length: 4 11/16" (119mm)
Rotation: CCW	Shaft Length: 5 1/16" (128.6mm)
Height: 5 1/16" (128.59mm)	Diameter: 5 3/4" (146mm)
Wires: 3	Amps: 9.5 amps max

Part No: 1099121



Speed: 2	Length: 13 7/8" (352.3mm)
Voltage: 12	Motor Length: 3 63/64" (101.3mm)
Rotation: CCWCE	Width: 4" (101.6mm)
Height: 4 15/64" (107.55mm)	Shaft Length: 4 15/64" (107.5mm)
Wires: 3	Diameter: 5" (127mm)
Amps: 14.2 amps max	General Specifications: Thermal Protection 140°

Part No: 1099130



Speed: 1	Length: 6 15/16" (176.2mm)
Voltage: 12	Width: 4 3/4" (120.6mm)
Rotation: CCWLE	Diameter: 7 3/4" (196.8mm)
Height: 6 13/16" (171mm)	

Blower Assemblies

BLOWER MOTORS



Part No: 1099131



Speed: 1	Length: 13 13/16" (350.52mm)
Voltage: 12	Motor Length: 5 5/16" (135.38mm)
Rotation: CCWCE	Width: 6 3/5" (167.64mm)
Vent: V	Shaft Length: 5 1/2" (139.7mm)
Height: 5 1/2" (139.7mm)	Diameter: 6 39/64" (167.64mm)
Wires: 2	Shaft Diameter: 5/16" (8mm)
Amps: 21 amps max	

Part No: 1099132



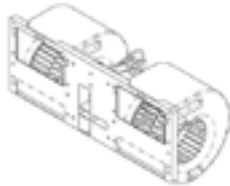
Speed: 3	Plug: Fleck #A-3-2 Connector
Voltage: 12	Length: 13 7/8" (352.3mm)
Rotation: CCWCE	Motor Length: 3 63/64" (101.3mm)
Height: 4 13/64" (106.68mm)	Shaft Length: 4 15/64" (107.5mm)
General Specifications: Thermal Protection 140°	
Wires: 4	Amps: 14.2 amps max

Part No: 1099134



Voltage: 24	Length: 13 53/64" (351mm)
Height: 5 1/2" (139.7mm)	Motor Length: 5 23/64" (136mm)
Diameter: 6 37/64" (167mm)	Width: 5 2/5" (137.16mm)
Shaft Length: 5 33/64" (140mm)	

Part No: 1099138



Voltage: 24	Length: 13 13/16" (351mm)
Shaft Length: 5 33/64" (140mm)	Motor Length: 5 23/64" (136mm)
Diameter: 6 37/64" (167mm)	

Part No: 1099151



Diameter: 6 19/32" (167.5mm)	Length: 13 13/16" (351mm)
Motor Length: 5 23/64" (136mm)	

Part No: 1099154



Diameter: 6 37/64" (167mm)	Length: 13 13/16" (351mm)
Motor Length: 5 23/64" (136mm)	

Part No: 1099155



Voltage: 12

Part No: 1099156

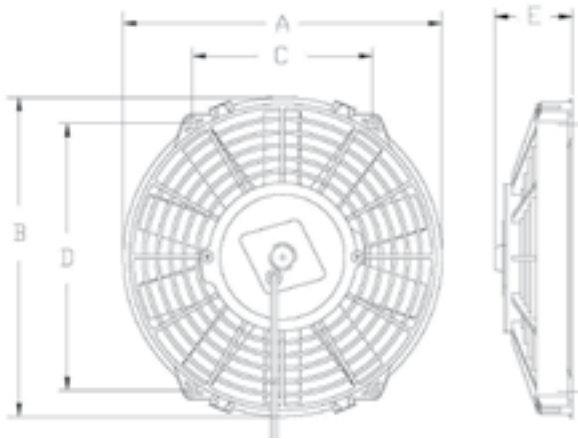


Shaft Length: 5 33/64" (140mm)	Length: 13 25/32" (350mm)
Diameter: 6 21/32" (169mm)	Motor Length: 5 5/16" (135.18mm)
Amps: 22 amps max	

Part No: 1099161



Speed: 1	Length: 14 13/16" (376mm)
Voltage: 12	Motor Length: 6 1/2" (165mm)
Rotation: CCWCE	Width: 6 1/2" (165mm)
Mount: Strap	Shaft Length: 2 11/16" (68.3mm)
Vent: V	Diameter: 7 5/16" (186mm)
Height: 6 7/8" (174mm)	Shaft Diameter: 5/16" (8mm)
General Specifications: RFI Protection	Amps: 18 amps



Legend:

- A = Overall Height
- B = Overall Width
- C = Mounting Width
- D = Mounting Height
- E = Thickness

Condenser Fan Assembly Specifications

Overall Height (A)	Overall Width (B)	Mounting Width (C)	Mounting Height (D)	Thickness (E)	Speed	Volt	Rotation	Type	Vent	Part No
9 11/16" (246mm)	9 11/16" (246.4mm)	5 1/2" (139mm)	8 1/8" (206mm)	2 3/8" (60mm)	1	12	CW	Pusher	NV	1075022
11 1/8" (283.5mm)	10 9/16" (268mm)	5 5/8" (142.3mm)	9 11/16" (246.4mm)	2 3/16" (55.3mm)	1	12	CCW	Puller	NV	1075053
11 1/8" (283.5mm)	10 9/16" (268mm)	5 5/8" (142.3mm)	9 11/16" (246.4mm)	2 3/16" (55.3mm)	1	24	CCW	Puller	NV	1075054
12 3/16" (310mm)	11 9/16" (294mm)	6 1/8" (155mm)	10 5/8" (269mm)	2 13/16" (71mm)	1	12V	CCW	Puller	NV	1099158
15" (382mm)	14 7/16" (367mm)	7 1/2" (191mm)	13" (331mm)	2 7/16" (63mm)	1	12V	CCW	Puller	NV	1099152
16 5/16" (414mm)	15 3/4" (400mm)	8 1/8" (206.5mm)	14 1/8" (358mm)	2 7/16" (63mm)	1	12V	CW	Puller	NV	1099153
16 7/16" (417mm)	16" (406.9mm)	16 7/16" (417.5mm)	8 1/8" (209.6mm)	3 13/16" (96.8mm)	1	12	CW	Puller	NV	1075058



Part No: 1075022



Speed: 1	Voltage: 12
Height: 9 11/16" (246mm)	Width: 9 11/16" (246.4mm)
Mounting Height: 8 1/8" (206mm)	Mounting Width: 5 1/2" (139mm)
Vent: NV	Thickness: 2 3/8" (60mm)
Rotation: CW	Type: Pusher

Part No: 1075053



Speed: 1	Voltage: 12
Height: 11 1/8" (283.5mm)	Width: 10 9/16" (268mm)
Mounting Height: 9 11/16" (246.4mm)	Mounting Width: 5 5/8" (142.3mm)
Vent: NV	Thickness: 2 3/16" (55.3mm)
Rotation: CCW	Type: Puller

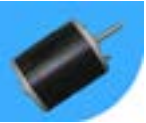
Part No: 1075054



Speed: 1	Voltage: 24
Height: 11 1/8" (283.5mm)	Width: 10 9/16" (268mm)
Mounting Height: 9 11/16" (246.4mm)	Mounting Width: 5 5/8" (142.3mm)
Vent: NV	Thickness: 2 3/16" (55.3mm)
Rotation: CCW	Type: Puller

Condenser Fan Assemblies

BLOWER MOTORS



Part No: 1075058



Speed: 1	Voltage: 12
Height: 16 7/16" (417mm)	Width: 16" (406.9mm)
Mounting Height: 8 1/8" (209.6mm)	Mounting Width: 16 7/16" (417.5mm)
Vent: NV	Thickness: 3 13/16" (96.8mm)
Rotation: CW	Type: Puller

Part No: 1099152



Speed: 1	Voltage: 12V
Height: 15" (382mm)	Width: 14 7/16" (367mm)
Mounting Height: 13" (331mm)	Mounting Width: 7 1/2" (191mm)
Vent: NV	Thickness: 2 7/16" (63mm)
Rotation: CCW	Type: Puller

Part No: 1099153



Speed: 1	Voltage: 12V
Height: 16 5/16" (414mm)	Width: 15 3/4" (400mm)
Mounting Height: 14 1/8" (358mm)	Mounting Width: 8 1/8" (206.5mm)
Vent: NV	Thickness: 2 7/16" (63mm)
Rotation: CW	Type: Puller

Part No: 1099158



Speed: 1	Voltage: 12V
Height: 12 3/16" (310mm)	Width: 11 9/16" (294mm)
Mounting Height: 10 5/8" (269mm)	Mounting Width: 6 1/8" (155mm)
Vent: NV	Thickness: 2 13/16" (71mm)
Rotation: CCW	Type: Puller

Booster Pump Specifications

Speed	Volt	Inlet	Outlet	Amps	Temperature Range	Elbow Degree	Replaces	Part No
2300 RPM	24V	1" inlet	1" outlet	4.0 amps max	-40°F - 185°F (-40°C - 85°C)	Straight	-	1099305
2300 RPM	12V	1" inlet	1" outlet	8.0 amps max	-40°F - 185°F (-40°C - 85°C)	90°	Assembled with hose, clamps and 90° nipple	1099306
2300 RPM	12V	1" inlet	1" outlet	8.0 amps max	-40°F - 185°F (-40°C - 85°C)	90°	Assembled with hose, clamps and 90° nipple	1099308
2300 RPM	12V	1" inlet	1" outlet	8.0 amps max	-40°F - 185°F (-40°C - 85°C)	90°	(optional) Assembled with hose, clamps and 90° nipple	1099311
2300 RPM	12V	1" inlet	1" outlet	8.0 amps max	-40°F - 185°F (-40°C - 85°C)	90°	(optional) Assembled with hose, clamps and 90° nipple	1099312
2300 RPM	12V	1" inlet	1" outlet	8.0 amps max	-40°F - 185°F (-40°C - 85°C)	90°	-	1099316
2300 RPM	12V	1" inlet	1" outlet	8.0 amps max	-40°F - 185°F (-40°C - 85°C)	90°	Assembled with hose, clamps and 90° nipple	1099317
2300 RPM	12V	1" inlet	1" outlet	8.0 amps max	-40°F - 185°F (-40°C - 85°C)	90°	Assembled with hose, clamps and 90° nipple	1099318
2300 RPM	12V	1" inlet	1" outlet	8.0 amps max	-40°F - 185°F (-40°C - 85°C)	90°	-	1099319
2300 RPM	12V	1" inlet	1" outlet	8.0 amps max	-40°F - 185°F (-40°C - 85°C)	90°	Assembled with hose, clamps and 90° nipple	1099322
2300 RPM	12V	1" inlet	1" outlet	8.0 amps max	-40°F - 185°F (-40°C - 85°C)	Straight	-	1099323
2300 RPM	12V	1" inlet	1" outlet	8.0 amps max	-40°F - 185°F (-40°C - 85°C)	Straight	-	1099325
2300 RPM	12V	1" inlet	1" outlet	8.0 amps max	-40°F - 185°F (-40°C - 85°C)	90°	Assembled with hose, clamps and 90° nipple	1099326
2300 RPM	12V	1" inlet	1" outlet	8.0 amps max	-40°F - 185°F (-40°C - 85°C)	60°	Assembled with hose, clamps and 60° nipple	1099328
2300 RPM	12V	1" inlet	1" outlet	8.0 amps max	-40°F - 185°F (-40°C - 85°C)	90°	Assembled with hose, clamps and 90° nipple	1099330

BLOWER MOTORS



Booster Pumps

BLOWER MOTORS



Part No: 1099305




Speed: 2300 RPM	Amps: 4.0 amps max
Voltage: 24V	Elbow Degree: Straight
Inlet: 1" inlet	Outlet: 1" outlet
Temperature Range: -40°F - 185°F (-40°C - 85°C)	
IC Bus: ZGG734005	
Thomas Built Bus: BSM 1000368102	

Part No: 1099306



Speed: 2300 RPM	Amps: 8.0 amps max
Voltage: 12V	Elbow Degree: 90°
Inlet: 1" inlet	Outlet: 1" outlet
General Specifications: Assembled with hose, clamps and 90° nipple	
Temperature Range: -40°F - 185°F (-40°C - 85°C)	
Blubird: 10035131	
IC Bus: 2614948C91	
Thomas Built Bus: BSM 1000360349	

Part No: 1099308



Speed: 2300 RPM	Amps: 8.0 amps max
Voltage: 12V	Elbow Degree: 90°
General Specifications: Assembled with hose, clamps and 90° nipple	
Temperature Range: -40°F - 185°F (-40°C - 85°C)	
Inlet: 1" inlet	Outlet: 1" outlet
Blubird: 10034148	
IC Bus: ZGG734007	

Part No: 1099311



Speed: 2300 RPM	Amps: 8.0 amps max
Voltage: 12V	Elbow Degree: 90°
General Specifications: (optional) Assembled with hose, clamps and 90° nipple	
Temperature Range: -40°F - 185°F (-40°C - 85°C)	
Inlet: 1" inlet	Outlet: 1" outlet
Universal	

Part No: 1099312



Speed: 2300 RPM	Amps: 8.0 amps max
Voltage: 12V	Elbow Degree: 90°
General Specifications: (optional) Assembled with hose, clamps and 90° nipple	
Temperature Range: -40°F - 185°F (-40°C - 85°C)	
Inlet: 1" inlet	Outlet: 1" outlet
Universal	

Part No: 1099316



Speed: 2300 RPM	Amps: 8.0 amps max
Voltage: 12V	Elbow Degree: 90°
General Specifications: (optional) Assembled with hose, clamps and 90° nipple	
Temperature Range: -40°F - 185°F (-40°C - 85°C)	
Inlet: 1" inlet	Outlet: 1" outlet
IC Bus: 2516874C91	

Part No: 1099317



Speed: 2300 RPM	Amps: 8.0 amps max
Voltage: 12V	Elbow Degree: 90°
General Specifications: Assembled with hose, clamps and 90° nipple	
Temperature Range: -40°F - 185°F (-40°C - 85°C)	
Inlet: 1" inlet	Outlet: 1" outlet
IC Bus: 3957534C92	

Part No: 1099318



Speed: 2300 RPM	Amps: 8.0 amps max
Voltage: 12V	Elbow Degree: 90°
General Specifications: Assembled with hose, clamps and 90° nipple	
Temperature Range: -40°F - 185°F (-40°C - 85°C)	
Inlet: 1" inlet	Outlet: 1" outlet
IC Bus	

Part No: 1099319



Speed: 2300 RPM	Amps: 8.0 amps max
Voltage: 12V	Elbow Degree: 90°
General Specifications: Assembled with hose, clamps and 90° nipple	
Temperature Range: -40°F - 185°F (-40°C - 85°C)	
Inlet: 1" inlet	Outlet: 1" outlet
Thomas Built Bus: BSM 100148651	



Part No: 1099322



Speed: 2300 RPM	Amps: 8.0 amps max
Voltage: 12V	Elbow Degree: 90°
General Specifications: Assembled with hose, clamps and 90° nipple	Temperature Range: -40°F - 185°F (-40°C - 85°C)
Inlet: 1" inlet	Outlet: 1" outlet
Thomas Built Bus: 22-71865-000	

Part No: 1099323



Speed: 2300 RPM	Amps: 8.0 amps max
Voltage: 12V	Elbow Degree: Straight
Inlet: 1" inlet	Outlet: 1" outlet
Temperature Range: -40°F - 185°F (-40°C - 85°C)	
Thomas Built Bus: 184618	

Part No: 1099325



Speed: 2300 RPM	Amps: 8.0 amps max
Voltage: 12V	Elbow Degree: Straight
Inlet: 1" inlet	Outlet: 1" outlet
Temperature Range: -40°F - 185°F (-40°C - 85°C)	
IC Bus: 2614947C91	
Thomas Built Bus: BSM 1000360348, 181122	

Part No: 1099326



Speed: 2300 RPM	Amps: 8.0 amps max
Voltage: 12V	Elbow Degree: 90°
General Specifications: Assembled with hose, clamps and 90° nipple	Temperature Range: -40°F - 185°F (-40°C - 85°C)
Inlet: 1" inlet	Outlet: 1" outlet
Blubird: 10035131	
Thomas Built Bus: BSM 1001487644	

Part No: 1099327



Speed: 2300 RPM	Amps: 4.0 amps max
Voltage: 24V	Elbow Degree: Straight
Inlet: 1" inlet	Outlet: 1" outlet
Temperature Range: -40°F - 185°F (-40°C - 85°C)	
IC Bus: ZGG734005	
Thomas Built Bus: BSM 1000368102	

Part No: 1099328



Speed: 2300 RPM	Amps: 8.0 amps max
Voltage: 12V	Elbow Degree: 60°
General Specifications: Assembled with hose, clamps and 60° nipple	Temperature Range: -40°F - 240°F (-40°C - 16°C)
Inlet: 1" inlet	Outlet: 1" outlet
Blubird: 10033362	
IC Bus: ZGG734006	
Thomas Built Bus: BSM 1000368103	

Part No: 1099330



Speed: 2300 RPM	Amps: 8.0 amps max
Voltage: 12V	Elbow Degree: 90°
General Specifications: Assembled with hose, clamps and 90° nipple	Temperature Range: -40°F - 185°F (-40°C - 85°C)
Inlet: 1" inlet	Outlet: 1" outlet
IC Bus: ZGG734008	
Thomas Built Bus: BSM 1000368105	

Booster Pumps

Universal Booster Pump Cross Reference Chart



Kysor Universal Pump	1099311	1099312
Kysor Old Cross Reference	1099073, 1099123, 1099068, 1099067, 1099071, 1099093, 1099102, 1099100	1099099, 1099066, 1099115
Kysor New Cross Reference	1099301, 1099302, 1099306, 1099307, 1099309, 1099310, 1099300	1099303, 1099304, 1099308
Navistar/IC Corp Old Cross Reference	2227279C92, 3858732C91, ZGG734000, 2503274C1, ZGG734001, ZGG734003, ZGG734004, 2227280C92	2227281C92, 1672003C91, ZGG734002
Navistar/IC Corp New Cross Reference	2614950C91, 3957323C91, 2614948C91, ZGG734006, ZGG734008, ZGG734009, 2614949C91	3957534C91, 2614947C91, ZGG734007
Paccar Old Cross Reference	RD10700, RD1065, RD1020, 868784BSM	RD1060
Paccar New Cross Reference	RD10701, RD10201, RD10801	RD10601
Bluebird Old Cross Reference	09017220, 01973981	02148849, 00007258
Bluebird New Cross Reference	10033362	10034148
Daimler Old Cross Reference	BSM 1000041264, BSM 868293, BSM 868242, BSM 868784, 22-58298-000, 22-61395-000, 22-60482-000	BSM 868192
Daimler New Cross Reference	BSM 1000368332, BSM 1000360349, BSM 1000368103, BSM 1000368105, BSM 1000368108, 22-71865-000	BSM 1000360348
Thomas Old Cross Reference	6123-0214, 6600-0784	6123-0211
Thomas New Cross Reference	n/a	181122
Volvo/Mack Old Cross Reference	BSM1000041264, BSM868242, BSM868784/7787-868784	BSM868192
Volvo/Mack New Cross Reference	BSM1000368332/7787-1000368332, 7787-1000368105	n/a
Gillig Old Cross Reference	82-24864-000, 53-29300-00	n/a
Gillig New Cross Reference	53-29300-000	n/a



KYSOR
by Bergstrom.

*Air Conditioning & Heating
Replacement Parts*



Blower Wheels

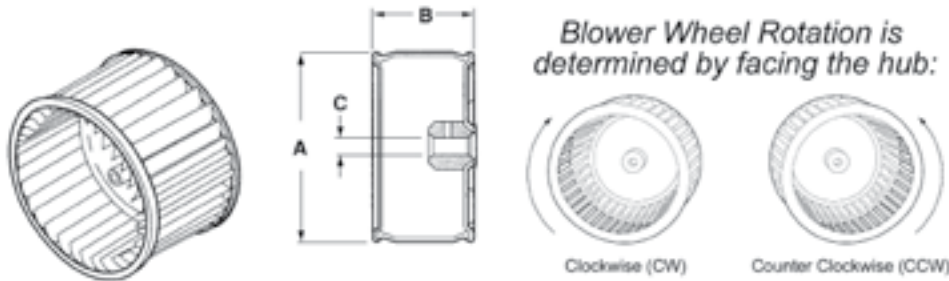
Single Entry Wheels	194
Single Entry Wheel Specifications	194
Double Entry Blower Wheels	198
Double Entry Wheel Specifications	198



BUS

Availability of the products shown in this catalog is subject to change without notice by Bergstrom, Inc. For the most current product information please visit the Kysor distributor website at <https://parts.kysorhvac.com/>.

Call: 800.499.6849 for Technical Assistance

**Legend:**

A = Diameter
 B = Width
 C = Bore Diameter

Single Entry Wheel Specifications

Diameter (A)	Width (B)	Bore Diameter (C)	Rotation	Material	Bore Diameter	Part No
3 13/16" (96.8mm)	1 15/16" (49.2mm)	1/4" (6.4mm)	CW	Steel	1/4" (6.4mm)	1199024
3 13/16" (96.8mm)	1 15/16" (49.2mm)	1/4" (6.4mm)	CCW	Steel	1/4" (6.4mm)	1199043
4 3/4" (120.7mm)	2 7/8" (73mm)	5/16" (8mm)	CCW	Steel	5/16" (8mm)	1199012
4 3/4" (120.7mm)	2 7/8" (73mm)	5/16" (78mm)	CCW	Steel	5/16" (8mm)	1199013
4 3/4" (120.7mm)	3 5/16" (84.1mm)	5/16" (8mm)	CCW	Plastic	5/16" (8mm)	1199023
5" (127mm)	3 1/8" (79.3mm)	5/16" (8mm)	CW	Plastic	5/16" (8mm)	1113002
5 3/16" (131.7mm)	3 1/2" (88.9mm)	5/16" (8mm)	CW	Steel	5/16" (8mm)	1115001
5 1/4" (133.4mm)	2 15/16" (74.6mm)	5/16" (8mm)	CCW	Steel	5/16" (8mm)	1117002
5 1/4" (133.4mm)	3 7/16" (87.3mm)	5/16" (8mm)	CW	Steel	5/16" (8mm)	1199008
5 1/4" (133.4mm)	3 1/2" (88.9mm)	5/16" (8mm)	CCW	Aluminum	5/16" (8mm)	1199010
5 1/4" (133.4mm)	2 1/2" (63.5mm)	5/16" (8mm)	CCW	Steel	5/16" (8mm)	1199015
5 1/4" (133.4mm)	3 3/8" (85.7mm)	5/16" (8mm)	CCW	Steel	5/16" (8mm)	1199020
5 1/4" (133.4mm)	3 3/8" (85.7mm)	5/16" (8mm)	CW	Steel	5/16" (8mm)	1199021
5 9/16" (141.3mm)	1 7/8" (47.6mm)	5/16" (8mm)	CW	Steel	5/16" (8mm)	1113001
5 9/16" (141.3mm)	1 7/8" (47.6mm)	5/16" (8mm)	CW	Steel	5/16" (8mm)	1199026
5 5/8" (143mm)	2 11/16" (67.9mm)	5/16" (8mm)	CW	Steel	5/16" (8mm)	1199051
5 11/16" (144.5mm)	3 1/8" (79.3mm)	5/16" (8mm)	CW	Steel	5/16" (8mm)	1115003
5 11/16" (144.5mm)	3 1/8" (79.3mm)	5/16" (8mm)	CCW	Steel	5/16" (8mm)	1199055
5 3/4" (146mm)	3 1/4" (82.6mm)	5/16" (8mm)	CW	Steel	5/16" (8mm)	1117003
5 3/4" (146mm)	2 3/4" (70mm)	5/16" (8mm)	CW	Plastic	5/16" (8mm)	1118001
5 3/4" (146mm)	3 1/2" (88.9mm)	5/16" (8mm)	CCW	Steel	5/16" (8mm)	1175002
5 3/4" (146mm)	3" (76.2mm)	5/16" (8mm)	CCW	Plastic	5/16" (8mm)	1199003
5 3/4" (146mm)	3 1/8" (79.3mm)	5/16" (8mm)	CCW	Aluminum	5/16" (8mm)	1199022
6 7/16" (163.5mm)	3" (76.2mm)	5/16" (8mm)	CCW	Plastic	5/16" (8mm)	1113003



Part No: 1113001



Rotation: CW
Width: 1 7/8" (47.6mm)
Diameter: 5 9/16" (141.3mm)
Material: Steel
Bore Diameter: 5/16" (8mm)

Part No: 1113002



Rotation: CW
Width: 3 1/8" (79.3mm)
Diameter: 5" (127mm)
Material: Plastic
Bore Diameter: 5/16" (8mm)

Part No: 1113003



Rotation: CCW
Width: 3" (76.2mm)
Diameter: 6 7/16" (163.5mm)
Material: Plastic
Bore Diameter: 5/16" (8mm)

Part No: 1115001



Rotation: CW
Width: 3 1/2" (88.9mm)
Diameter: 5 3/16" (131.7mm)
Material: Steel
Bore Diameter: 5/16" (8mm)

Part No: 1115003



Rotation: CW
Width: 3 1/8" (79.3mm)
Diameter: 5 11/16" (144.5mm)
Material: Steel
Bore Diameter: 5/16" (8mm)

Part No: 1117002



Rotation: CCW
Width: 2 15/16" (74.6mm)
Diameter: 5 1/4" (133.4mm)
Material: Steel
Bore Diameter: 5/16" (8mm)

Part No: 1117003



Rotation: CW
Width: 3 1/4" (82.6mm)
Diameter: 5 3/4" (146mm)
Material: Steel
Bore Diameter: 5/16" (8mm)

Part No: 1118001



Rotation: CW
Width: 2 3/4" (70mm)
Diameter: 5 3/4" (146mm)
Material: Plastic
Bore Diameter: 5/16" (8mm)

Part No: 1175002



Rotation: CCW
Width: 3 1/2" (88.9mm)
Diameter: 5 3/4" (146mm)
Material: Steel
Bore Diameter: 5/16" (8mm)

Single Entry Wheels

Part No: 1199003

Rotation: CCW

Width: 3" (76.2mm)

Diameter: 5 3/4" (146mm)

Material: Plastic

Bore Diameter: 5/16" (8mm)

Part No: 1199008

Rotation: CW

Width: 3 7/16" (87.3mm)

Diameter: 5 1/4" (133.4mm)

Material: Steel

Bore Diameter: 5/16" (8mm)

Part No: 1199010

Rotation: CCW

Width: 3 1/2" (88.9mm)

Diameter: 5 1/4" (133.4mm)

Material: Aluminum

Bore Diameter: 5/16" (8mm)

Part No: 1199012

Rotation: CCW

Width: 2 7/8" (73mm)

Diameter: 4 3/4" (120.7mm)

Material: Steel

Bore Diameter: 5/16" (8mm)

Part No: 1199013

Rotation: CCWCE

Width: 2 7/8" (73mm)

Diameter: 4 3/4" (120.7mm)

Material: Steel

Bore Diameter: 5/16" (8mm)

Part No: 1199015

Rotation: CCW

Width: 2 1/2" (63.5mm)

Diameter: 5 1/4" (133.4mm)

Material: Steel

Bore Diameter: 5/16" (8mm)

Part No: 1199020

Rotation: CCW

Width: 3 3/8" (85.7mm)

Diameter: 5 1/4" (133.4mm)

Material: Steel

Bore Diameter: 5/16" (8mm)

Part No: 1199021

Rotation: CW

Width: 3 3/8" (85.7mm)

Diameter: 5 1/4" (133.4mm)

Material: Steel

Bore Diameter: 5/16" (8mm)

Part No: 1199022

Rotation: CCW

Width: 3 1/8" (79.3mm)

Diameter: 5 3/4" (146mm)

Material: Aluminum

Bore Diameter: 5/16" (8mm)

Single Entry Wheels



Part No: 1199023



Rotation: CCW
Width: 3 5/16" (84.1mm)
Diameter: 4 3/4" (120.7mm)
Material: Plastic
Bore Diameter: 5/16" (8mm)

Part No: 1199024



Rotation: CW
Width: 1 15/16" (49.2mm)
Diameter: 3 13/16" (96.8mm)
Material: Steel
Bore Diameter: 1/4" (6.4mm)

Part No: 1199026



Rotation: CW
Width: 1 7/8" (47.6mm)
Diameter: 5 9/16" (141.3mm)
Material: Steel
Bore Diameter: 5/16" (8mm)

Part No: 1199043



Rotation: CCW
Width: 1 15/16" (49.2mm)
Diameter: 3 13/16" (96.8mm)
Material: Steel
Bore Diameter: 1/4" (6.4mm)

Part No: 1199051



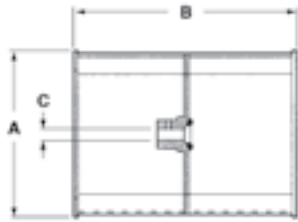
Rotation: CW
Width: 2 11/16" (67.9mm)
Diameter: 5 5/8" (143mm)
Material: Steel
Bore Diameter: 5/16" (8mm)

Part No: 1199055



Rotation: CCW
Width: 3 1/8" (79.3mm)
Diameter: 5 11/16" (144.5mm)
Material: Steel
Bore Diameter: 5/16" (8mm)

Double Entry Blower Wheels



Blower Wheel Rotation is determined by facing the hub:



Clockwise (CW)



Counter Clockwise (CCW)

Legend:

A = Wheel Diameter

B = Width

C = Bore Diameter

Double Entry Wheel Specifications

Diameter (A)	Width (B)	Bore Diameter (C)	Rotation	Material	Bore Diameter	Part No
1 9/16" (39.6mm)	3 3/4" (95.3mm)	5/16" (8mm)	CW/CCW	Plastic	5/16" (8mm)	1175003
3 3/16" (81mm)	3 13/16" (96.8mm)	5/16" (8mm)	CW/CCW	Plastic	5/16" (8mm)	1199009
3 3/16" (81mm)	3 13/16" (96.8mm)	5/16" (8mm)	CCW	Plastic	5/16" (8mm)	1199047
3 11/16" (93.7mm)	3 11/16" (93.6mm)	5/16" (8mm)	CW/CCW	Aluminum	5/16" (8mm)	1199001
3 3/4" (95.3mm)	4 1/16" (103.1mm)	5/16" (8mm)	CW/CCW	Plastic	5/16" (8mm)	1199036
4 1/2" (114.3mm)	2 1/8" (54mm)	5/16" (8mm)	CW	Steel	5/16" (8mm)	1199028
4 1/2" (114.3mm)	2 1/8" (54mm)	5/16" (8mm)	CCW	Steel	5/16" (8mm)	1199029
4 1/2" (114.3mm)	1 1/2" (38.1mm)	5/16" (8mm)	CW	Steel	5/16" (8mm)	1199030
4 1/2" (114.3mm)	3 1/4" (82.6mm)	5/16" (8mm)	CW/CCW	Plastic	5/16" (8mm)	1199035
4 9/16" (115.8mm)	3 7/16" (87.3mm)	5/16" (8mm)	CW/CCW	Plastic	5/16" (8mm)	1199007
5 5/16" (135mm)	3 1/4" (82.6mm)	5/16" (8mm)	CW/CCW	Plastic	5/16" (8mm)	1199037
5 1/2" (139.7mm)	3 1/8" (79.3mm)	5/16" (8mm)	CCW	Steel	5/16" (8mm)	1117001
5 1/2" (139.7mm)	1 1/2" (38.1mm)	5/16" (8mm)	CW	Steel	5/16" (8mm)	1199042
5 1/2" (139.7mm)	4 11/16" (119mm)	5/16" (8mm)	CW	Steel	5/16" (8mm)	1199044
5 1/2" (139.7mm)	4 11/16" (119mm)	5/16" (8mm)	CW	Steel	5/16" (8mm)	1199049
5 9/16" (141.3mm)	5 5/8" (143mm)	5/16" (8mm)	CCW	Steel	5/16" (8mm)	1199038
5 5/8" (143mm)	3 1/2" (88.9mm)	5/16" (8mm)	CCW	Plastic	5/16" (8mm)	1199006
5 5/8" (143mm)	3 7/16" (87.3mm)	5/16" (8mm)	CCW	Steel	5/16" (8mm)	1199045

Double Entry Blower Wheels



Part No: 1117001



Rotation: CCW
Width: 3 1/8" (79.3mm)
Diameter: 5 1/2" (139.7mm)
Material: Steel
Bore Diameter: 5/16" (8mm)

Part No: 1175003



Rotation: CW/CCW
Width: 3 3/4" (95.3mm)
Diameter: 1 9/16" (39.6mm)
Material: Plastic
Bore Diameter: 5/16" (8mm)

Part No: 1199001



Rotation: CW/CCW
Width: 3 11/16" (93.6mm)
Diameter: 3 11/16" (93.7mm)
Material: Aluminum
Bore Diameter: 5/16" (8mm)

Part No: 1199006



Rotation: CCW
Width: 3 1/2" (88.9mm)
Diameter: 5 5/8" (143mm)
Material: Plastic
Bore Diameter: 5/16" (8mm)

Part No: 1199007



Rotation: CW/CCW
Width: 3 7/16" (87.3mm)
Diameter: 4 9/16" (115.8mm)
Material: Plastic
Bore Diameter: 5/16" (8mm)

Part No: 1199009



Rotation: CW/CCW
Width: 3 13/16" (96.8mm)
Diameter: 3 3/16" (81mm)
Material: Plastic
Bore Diameter: 5/16" (8mm)

Part No: 1199028



Rotation: CW
Width: 2 1/8" (54mm)
Diameter: 4 1/2" (114.3mm)
Material: Steel
Bore Diameter: 5/16" (8mm)

Part No: 1199029



Rotation: CCW
Width: 2 1/8" (54mm)
Diameter: 4 1/2" (114.3mm)
Material: Steel
Bore Diameter: 5/16" (8mm)

Part No: 1199030



Rotation: CW
Width: 1 1/2" (38.1mm)
Diameter: 4 1/2" (114.3mm)
Material: Steel
Bore Diameter: 5/16" (8mm)

Double Entry Blower Wheels

Part No: 1199035

Rotation: CW/CCW

Width: 3 1/4" (82.6mm)

Diameter: 4 1/2" (114.3mm)

Material: Plastic

Bore Diameter: 5/16" (8mm)

Part No: 1199036

Rotation: CW/CCW

Width: 4 1/16" (103.1mm)

Diameter: 3 3/4" (95.3mm)

Material: Plastic

Bore Diameter: 5/16" (8mm)

Part No: 1199037

Rotation: CW/CCW

Width: 3 1/4" (82.6mm)

Diameter: 5 5/16" (135mm)

Material: Plastic

Bore Diameter: 5/16" (8mm)

Part No: 1199038

Rotation: CCW

Width: 5 5/8" (143mm)

Diameter: 5 9/16" (141.3mm)

Material: Steel

Bore Diameter: 5/16" (8mm)

Part No: 1199042

Rotation: CW

Width: 1 1/2" (38.1mm)

Diameter: 5 1/2" (139.7mm)

Material: Steel

Bore Diameter: 5/16" (8mm)

Part No: 1199044

Rotation: CW

Width: 4 11/16" (119mm)

Diameter: 5 1/2" (139.7mm)

Material: Steel

Bore Diameter: 5/16" (8mm)

Part No: 1199045

Rotation: CCW

Width: 3 7/16" (87.3mm)

Diameter: 5 5/8" (143mm)

Material: Steel

Bore Diameter: 5/16" (8mm)

Part No: 1199047

Rotation: CCW

Width: 3 13/16" (96.8mm)

Diameter: 3 3/16" (81mm)

Material: Plastic

Bore Diameter: 5/16" (8mm)

Part No: 1199049

Rotation: CW

Width: 4 11/16" (119mm)

Diameter: 5 1/2" (139.7mm)

Material: Steel

Bore Diameter: 5/16" (8mm)



Air Conditioning & Heating
Replacement Parts

Defrost Fans

Defrost Fans	202
Defrost Fan Specifications	202
Fan Blades	209
Fan Blade Specifications	209

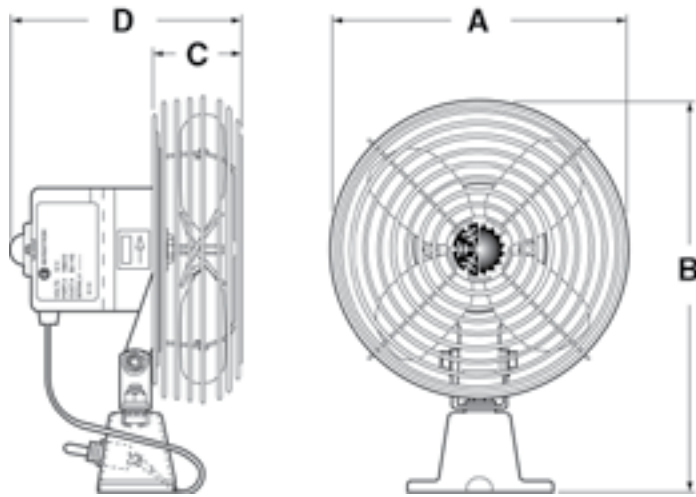


BUS

Availability of the products shown in this catalog is subject to change without notice by Bergstrom, Inc. For the most current product information please visit the Kysor distributor website at <https://parts.kysorhvac.com/>.

Call: 800.499.6849 for Technical Assistance

Defrost Fans


Legend:

A = Diameter

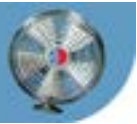
B = Height

C = Fan Guard Width

D = Width

Defrost Fan Specifications

Diameter (A)	Height (B)	Fan Guard Width (C)	Width (D)	Speed	Voltage	Switch Function	Color	Base	No. of Blades	Amp Draw	Part No
6 1/4" (158.8mm)	9 1/2" (241.3mm)	2 1/16" (52mm)	5 7/16" (139mm)	2	12	None	Black	Swivel Ball	4	4 amp max (high), 2 amp max (low)	1299046
7 5/16" (186.5mm)	9 9/16" (242.9mm)	2 3/16" (56mm)	5" (127mm)	2	12	On (Low) - Off - On (High)	Chrome	U Joint	4	3.6 amp max (high), 2.2 amp max (low)	1299009
7 5/16" (186.5mm)	9 9/16" (242.9mm)	2 3/16" (56mm)	5 1/4" (133.6mm)	2	24	On (Low) - Off - On (High)	Chrome	U Joint	4	-	1299040
7 3/8" (187.3mm)	7 3/8" (187.3mm)	2 1/4" (57.1mm)	5" (127mm)	2	12	None	Chrome	No Base	4	3.6 amp max (high), 2.2 amp max (low)	1299042
7 7/16" (188.9mm)	8 3/4" (222.3mm)	2 3/16" (55.6mm)	5" (127mm)	2	12	On (Low) - Off - On (High)	Chrome	Swivel Ball	4	2.5 amp max	1299001
7 7/16" (188.9mm)	9 5/8" (244.5mm)	2 1/4" (56mm)	5" (127mm)	2	12	None	Chrome	U Joint	4	4 amp max (high), 2 amp max (low)	1299002
7 7/16" (188.9mm)	9 5/8" (244.5mm)	2 1/4" (56mm)	5" (127mm)	2	12	None	Black	U Joint	4	4 amp max (high), 2 amp max (low)	1299003
7 7/16" (188.9mm)	8 3/4" (222.3mm)	2 3/16" (55.6mm)	5" (127mm)	2	12	On (Low) - Off - On (High)	Black	Swivel Ball	4	-	1299004
7 7/16" (188.9mm)	8 3/4" (222.3mm)	2 3/16" (55.6mm)	5" (127mm)	2	12	On (Low) - Off - On (High)	Chrome	Swivel Ball	4	-	1299005
7 7/16" (188.9mm)	8 3/4" (222.3mm)	2 3/16" (55.6mm)	5" (127mm)	2	24	On (Low) - Off - On (High)	Black	Swivel Ball	4	-	1299006
7 7/16" (188.9mm)	9 9/16" (242.9mm)	2 1/8" (54.5mm)	4 15/16" (127mm)	2	24	On (Low) - Off - On (High)	Chrome	U Joint	4	2.1 amp max (high), 1.3 amp max (low)	1299007
7 7/16" (188.9mm)	9 5/8" (244.5mm)	2 1/4" (56mm)	5" (127mm)	2	12	On (Low) - Off - On (High)	Chrome	U Joint	4	4 amp max (high), 2 amp max (low)	1299008
7 7/16" (188.9mm)	9 3/4" (247.7mm)	2 1/8" (54.5mm)	5" (127mm)	2	12	None	Chrome	U Joint	4	3.6 amp max (high), 2.2 amp max (low)	1299022
7 7/16" (188.9mm)	9 3/4" (247.7mm)	2 1/4" (55.95mm)	5 9/16" (144mm)	1	12	None	Black	U Joint	4	3 amp max (high), 2 amp max (low)	1299023
7 7/16" (188.9mm)	7 9/16" (192.9mm)	2" (50.8mm)	5 7/16" (133mm)	2	12	None	Black	No Base	4	2.5 amp max	1299025
7 7/16" (188.9mm)	9 3/4" (247.7mm)	2" (50.8mm)	5 1/2" (139mm)	2	12	On (Low) - Off - On (High)	Black	U Joint	4	4 amp max (high), 2 amp max (low)	1299026
7 7/16" (188.9mm)	9 5/8" (244.5mm)	2 1/4" (56mm)	5" (127mm)	2	12	None	Black	U Joint	5	3.6 amp max (high), 2.2 amp max (low)	1299027



Defrost Fan Specifications

Diameter (A)	Height (B)	Fan Guard Width (C)	Width (D)	Speed	Voltage	Switch Function	Color	Base	No. of Blades	Amp Draw	Part No
7 7/16" (188.9mm)	9 5/8" (244.5mm)	2" (50.8mm)	5 1/4" (133mm)	2	12	None	Black	U Joint	4	2.5 amp max	1299030
7 7/16" (188.9mm)	7 7/16" (188.9mm)	2" (50.8mm)	5 1/4" (133mm)	2	12	None	Chrome	No Base	4	2.5 amp max	1299031
7 7/16" (188.9mm)	8 3/4" (222.3mm)		5" (127mm)	2	12	None	Chrome	Swivel Ball	-	2.3 amp max (high), 1 amp max (low)	1299038
7 7/16" (188.8mm)	9 9/16" (242.9mm)	2" (50.8mm)	5 1/2" (139mm)	2	24	None	Black	U Joint	4	2 amp max (high), 1 amp max (low)	1299041
7 7/16" (188.9mm)	8 3/4" (222.3mm)	2" (50.8mm)	5" (127mm)	2	12	None	Chrome w/Black	Swivel Ball	4	3.6 amp max (high), 2.2 amp max (low)	1299043
7 1/2" (190.5mm)	9 7/8" (251mm)	2 3/16" (56mm)	5" (127mm)	2	12	None	Chrome	U Joint	4	3.6 amp max (high), 2.2 amp max (low)	1299010
7 1/2" (190.5mm)	11 1/4" (286mm)	2 1/4" (57.2mm)	5" (127mm)	2	12	None	Chrome w/Black Base	Plate	4	3.6 amp max (high), 2.2 amp max (low)	1299021
7 1/2" (191mm)	8 5/8" (219.2mm)	2 3/16" (55.4mm)	5 1/4" (134.4mm)	2	12	None	Chrome w/Black Base	Swivel Ball	4	2.3 amp max (high), 1 amp max (low)	1299029
7 1/2" (190.5mm)	8 3/4" (222.3mm)	2" (50.8mm)	5" (127mm)	2	12	None	Chrome w/Black Base	Swivel Ball	4	2.1 amp max (high), 1.3 amp max (low)	1299034
7 1/2" (189.5mm)	9 5/8" (244.5mm)	2 3/16" (55.4mm)	5" (127mm)	2	24	None	Black	U Joint	5	2.1 amp max (high), 1.3 amp max (low)	1299039
7 9/16" (192mm)	7 9/16" (192mm)	2 1/16" (52mm)	5 9/16" (140mm)	2	12	None	Black	U Joint	4	3.6 amp max (high), 2.2 amp max (low)	1299036
7 5/8" (194.4mm)	7 5/8" (194.4mm)	2 3/16" (55.9mm)	5" (127.3mm)	2	12	None	Black	U Joint	4	3.6 amp max (high), 2.2 amp max (low)	1299032
7 3/4" (197mm)	9 3/4" (247.7mm)	2 3/16" (55.9mm)	5" (127mm)	1	12	On (Low) - Off - On (High)	Black	U Joint	4	3.6 amp max (high), 2.2 amp max (low)	1299024
7 3/4" (197mm)	9 9/16" (242.9mm)	2 1/8" (54.5mm)	4 15/16" (127mm)	2	24	On (Low) - Off - On (High)	Chrome	U Joint	4	2.1 amp max (high), 1.3 amp max (low)	1299045
-	9 9/16" (242.9mm)	2" (50.8mm)	5 7/16" (138mm)	2	12	None	Black	U Joint	4	3 amp max (high), 2 amp max (low)	1299035



Defrost Fans

Part No: 1299001



Speed: 2	Width: 5" (127mm)
Voltage: 12	Diameter: 7 7/16" (188.9mm)
Height: 8 3/4" (222.3mm)	Switch: Switch
Cage Material: Metal	Cage Color: Chrome
Base: Swivel Ball	Motor Leads: 10"
Fan Guard: 2 3/16" (55.6mm)	No. of Blades: 4
Amp Draw: 2.5 amp max	Switch Function: On (Low) - Off - On (High)

Part No: 1299002



Speed: 2	Width: 5" (127mm)
Voltage: 12	Diameter: 7 7/16" (188.9mm)
Height: 9 5/8" (244.5mm)	Switch: Switch
Cage Material: Metal	Cage Color: Chrome
Base: U Joint	Motor Leads: 16"
Fan Guard: 2 1/4" (56mm)	No. of Blades: 4
Amp Draw: 4 amp max (high), 2 amp max (low)	Switch Function: None

Part No: 1299003



Speed: 2	Width: 5" (127mm)
Voltage: 12	Diameter: 7 7/16" (188.9mm)
Height: 9 5/8" (244.5mm)	Switch: Switch
Cage Material: Metal	Cage Color: Black
Base: U Joint	Motor Leads: 16"
Fan Guard: 2 1/4" (56mm)	No. of Blades: 4
Amp Draw: 4 amp max (high), 2 amp max (low)	Switch Function: None

Part No: 1299004



Speed: 2	Width: 5" (127mm)
Voltage: 12	Diameter: 7 7/16" (188.9mm)
Height: 8 3/4" (222.3mm)	Switch: Switch
Cage Material: Metal	Cage Color: Black
Base: Swivel Ball	Motor Leads: 12"
Fan Guard: 2 3/16" (55.6mm)	No. of Blades: 4
Switch Function: On (Low) - Off - On (High)	

Part No: 1299005



Speed: 2	Width: 5" (127mm)
Voltage: 12	Diameter: 7 7/16" (188.9mm)
Height: 8 3/4" (222.3mm)	Switch: Switch
Cage Material: Metal	Cage Color: Chrome
Base: Swivel Ball	Motor Leads: 12"
Fan Guard: 2 3/16" (55.6mm)	No. of Blades: 4
Switch Function: On (Low) - Off - On (High)	

Part No: 1299006



Speed: 2	Width: 5" (127mm)
Voltage: 24	Diameter: 7 7/16" (188.9mm)
Height: 8 3/4" (222.3mm)	Switch: Switch
Cage Material: Metal	Cage Color: Black
Base: Swivel Ball	Motor Leads: 12"
Fan Guard: 2 3/16" (55.6mm)	No. of Blades: 4
Switch Function: On (Low) - Off - On (High)	

Part No: 1299007



Speed: 2	Width: 4 9/16" (127mm)
Voltage: 24	Diameter: 7 7/16" (188.9mm)
Height: 9 9/16" (242.9mm)	Switch: Switch
Cage Material: Metal	Cage Color: Chrome
Base: U Joint	
Fan Guard: 2 1/8" (54.5mm)	No. of Blades: 4
Amp Draw: 2.1 amp max (high), 1.3 amp max (low)	Switch Function: On (Low) - Off - On (High)

Part No: 1299008



Speed: 2	Width: 5" (127mm)
Voltage: 12	Diameter: 7 7/16" (188.9mm)
Height: 9 5/8" (244.5mm)	Switch: Switch
Cage Material: Metal	Cage Color: Chrome
Base: U Joint	Motor Leads: 16"
Fan Guard: 2 1/4" (56mm)	No. of Blades: 4
Amp Draw: 4 amp max (high), 2 amp max (low)	Switch Function: On (Low) - Off - On (High)

Part No: 1299009



Speed: 2	Width: 5" (127mm)
Voltage: 12	Diameter: 7 5/16" (186.5mm)
Height: 9 9/16" (242.9mm)	Switch: Switch
Cage Material: Metal	Cage Color: Chrome
Base: U Joint	Motor Leads: 12"
Fan Guard: 2 3/16" (56mm)	No. of Blades: 4
Amp Draw: 3.6 amp max (high), 2.2 amp max (low)	Switch Function: On (Low) - Off - On (High)



Part No: 1299010	
Speed: 2	Width: 5" (126.2mm)
Voltage: 12	Diameter: 7 1/2" (190.5mm)
Height: 9 7/8" (251mm)	Switch: None
Cage Material: Metal	Cage Color: Chrome
Base: U Joint	Motor Leads: 12"
Fan Guard: 2 3/16" (56mm)	No. of Blades: 4
Amp Draw: 3.6 amp max (high), 2.2 amp max (low)	Switch Function: None



Part No: 1299021	
Speed: 2	Width: 5" (127mm)
Voltage: 12	Diameter: 7 1/2" (190.5mm)
Height: 11 1/4" (286mm)	Switch: None
Cage Material: Metal	Cage Color: Chrome w/ Black Base
Base: Plate	Motor Leads: 8 1/2"
Fan Guard: 2 1/4" (57.2mm)	No. of Blades: 4
Amp Draw: 3.6 amp max (high), 2.2 amp max (low)	Switch Function: None



Part No: 1299022	
Speed: 2	Width: 4 15/16" (127mm)
Voltage: 12	Diameter: 7 7/16" (188.9mm)
Height: 9 3/4" (247.7mm)	Switch: None
Cage Material: Metal	Cage Color: Chrome
Base: U Joint	Motor Leads: 33"
Fan Guard: 2 1/8" (54.5mm)	No. of Blades: 4
Amp Draw: 3.6 amp max (high), 2.2 amp max (low)	Switch Function: None



Part No: 1299023	
Speed: 1	Width: 5 9/16" (144mm)
Voltage: 12	Diameter: 7 7/16" (188.9mm)
Height: 9 3/4" (247.7mm)	Switch: None
Cage Material: Metal	Cage Color: Black
Base: U Joint	Motor Leads: 12"
Fan Guard: 2 1/4" (55.95mm)	No. of Blades: 4
Amp Draw: 3 amp max (high), 2 amp max (low)	Switch Function: None



Part No: 1299024	
Speed: 1	Width: 5" (127mm)
Voltage: 12	Diameter: 7 3/4" (197mm)
Height: 9 3/4" (247.7mm)	Switch: Switch
Cage Material: Metal	Cage Color: Black
Base: U Joint	Motor Leads: 12"
Fan Guard: 2 3/16" (55.9mm)	No. of Blades: 4
Amp Draw: 3.6 amp max (high), 2.2 amp max (low)	Switch Function: On (Low) - Off - On (High)



Part No: 1299025	
Speed: 2	Width: 5 7/16" (133mm)
Voltage: 12	Diameter: 7 7/16" (188.9mm)
Height: 7 9/16" (192.9mm)	Switch: None
Cage Material: Metal	Cage Color: Black
Base: No Base	Motor Leads: 12"
Fan Guard: 2" (50.8mm)	No. of Blades: 4
Amp Draw: 2.5 amp max	Switch Function: None



Part No: 1299026	
Speed: 2	Width: 5 1/2" (139mm)
Voltage: 12	Diameter: 7 7/16" (188.9mm)
Height: 9 3/4" (247.7mm)	Switch: Switch
Cage Material: Metal	Cage Color: Black
Base: U Joint	Motor Leads: 12"
Fan Guard: 2" (50.8mm)	No. of Blades: 4
Amp Draw: 4 amp max (high), 2 amp max (low)	Switch Function: On (Low) - Off - On (High)



Part No: 1299027	
Speed: 2	Width: 5" (127mm)
Voltage: 12	Diameter: 7 7/16" (188.9mm)
Height: 9 5/8" (244.5mm)	Switch: None
Cage Material: Metal	Cage Color: Black
Base: U Joint	No. of Blades: 5
Fan Guard: 2 1/4" (56mm)	Switch Function: None
Amp Draw: 3.6 amp max (high), 2.2 amp max (low)	



Part No: 1299029	
Speed: 2	Width: 5 1/4" (134.4mm)
Voltage: 12	Diameter: 7 1/2" (191mm)
Height: 8 5/8" (219.2mm)	Switch: None
Cage Material: Metal	Cage Color: Chrome w/ Black Base
Base: Swivel Ball	No. of Blades: 4
Fan Guard: 2 3/16" (55.4mm)	CFM: 210 (high), 115 (low)

Defrost Fans

DEFROST FANS

Part No: 1299030



Speed: 2	Width: 5 1/4" (133mm)
Voltage: 12	Diameter: 7 7/16" (188.9mm)
Height: 9 5/8" (244.5mm)	Switch: None
Cage Material: Metal	Cage Color: Black
Base: U Joint	No. of Blades: 4
Fan Guard: 2" (50.8mm)	Switch Function: None
Amp Draw: 2.5 amp max	

Part No: 1299031



Speed: 2	Width: 5 1/4" (133mm)
Voltage: 12	Diameter: 7 7/16" (188.9mm)
Height: 7 7/16" (188.9mm)	Switch: None
Cage Material: Metal	Cage Color: Chrome
Base: No Base	No. of Blades: 4
Fan Guard: 2" (50.8mm)	Switch Function: None
Amp Draw: 2.5 amp max	

Part No: 1299032



Speed: 2	Width: 5" (127.3mm)
Voltage: 12	Diameter: 7 5/8" (194.4mm)
Height: 7 5/8" (194.4mm)	Switch: None
Cage Material: Metal	Cage Color: Black
Base: U Joint	No. of Blades: 4
Fan Guard: 2 3/16" (55.9mm)	Switch Function: None
Amp Draw: 3.6 amp max (high), 2.2 amp max (low)	

Part No: 1299034



Speed: 2	Width: 5" (127mm)
Voltage: 12	Diameter: 7 1/2" (180.5mm)
Height: 8 3/4" (222.3mm)	Switch: None
Cage Material: Metal	Cage Color: Chrome w/ Black Base
Base: Swivel Ball	No. of Blades: 4
Fan Guard: 2" (50.8mm)	Switch Function: None
Amp Draw: 2.1 amp max (high), 1.3 amp max (low)	

Part No: 1299035



Speed: 2	Width: 5 7/16" (138mm)
Voltage: 12	Switch: None
Height: 9 9/16" (242.9mm)	Cage Color: Black
Cage Material: Metal	No. of Blades: 4
Base: U Joint	Switch Function: None
Fan Guard: 2" (50.8mm)	Amp Draw: 3 amp max (high), 2 amp max (low)

Part No: 1299036



Speed: 2	Width: 5 9/16" (140mm)
Voltage: 12	Diameter: 7 9/16" (192mm)
Height: 7 9/16" (192mm)	Switch: None
Cage Material: Metal	Cage Color: Black
Base: U Joint	Motor Leads: 6"
Fan Guard: 2 1/16" (52mm)	No. of Blades: 4
Amp Draw: 3.6 amp max (high), 2.2 amp max (low)	
Switch Function: None	

Part No: 1299038



Speed: 2	Width: 5" (127mm)
Voltage: 12	Diameter: 7 7/16" (188.9mm)
Height: 8 3/4" (222.3mm)	Switch: None
Base: Swivel Ball	Cage Color: Chrome
Amp Draw: 2.3 amp max (high), 1 amp max (low)	Motor Leads: 12"
Switch Function: None	

Part No: 1299039



Speed: 2	Width: 5" (127mm)
Voltage: 24	Diameter: 7 1/2" (189.5mm)
Height: 9 5/8" (244.5mm)	Switch: None
Cage Material: Metal	Cage Color: Black
Base: U Joint	Motor Leads: 10"
Fan Guard: 2 3/16" (55.4mm)	No. of Blades: 5
Amp Draw: 2.1 amp max (high), 1.3 amp max (low)	
Switch Function: None	

Part No: 1299040



Speed: 2	Width: 5 1/4" (133.6mm)
Voltage: 24	Diameter: 7 5/16" (186.5mm)
Height: 9 9/16" (242.9mm)	Switch: None
Cage Material: Metal	Cage Color: Chrome
Base: U Joint	No. of Blades: 4
Fan Guard: 2 3/16" (56mm)	Switch Function: On (Low) - Off - On (High)



Part No: 1299041



Speed: 2	Width: 5 1/2" (139mm)
Voltage: 24	Diameter: 7 7/16" (188.8mm)
Height: 9 9/16" (242.9mm)	Cage Color: Black
Cage Material: Metal	No. of Blades: 4
Base: U Joint	Switch Function: On (Low) - Off - On (High)
Fan Guard: 2" (50.8mm)	Amp Draw: 2 amp max (high), 1 amp max (low)

Part No: 1299042



Speed: 2	Width: 5" (127mm)
Voltage: 12	Diameter: 7 3/8" (187.3mm)
Height: 7 3/8" (187.3mm)	Switch: None
Cage Material: Metal	Cage Color: Chrome
Base: No Base	No. of Blades: 4
Fan Guard: 2 1/4" (57.1mm)	Switch Function: None
Amp Draw: 3.6 amp max (high), 2.2 amp max (low)	

Part No: 1299043



Speed: 2	Width: 5" (127mm)
Voltage: 12	Diameter: 7 7/16" (188.9mm)
Height: 8 3/4" (222.3mm)	Cage Color: Chrome w/ Black
Cage Material: Metal	No. of Blades: 4
Base: Swivel Ball	Switch Function: None
Fan Guard: 2" (50.8mm)	Amp Draw: 3.6 amp max (high), 2.2 amp max (low)

Part No: 1299045



Speed: 2	Width: 4 15/16" (127mm)
Voltage: 24	Diameter: 7 3/4" (197mm)
Height: 9 9/16" (242.9mm)	Switch: Switch
Cage Material: Metal	Cage Color: Chrome
Base: U Joint	No. of Blades: 4
Fan Guard: 2 1/8" (54.5mm)	Switch Function: On (Low) - Off - On (High)
Amp Draw: 2.1 amp max (high), 1.3 amp max (low)	

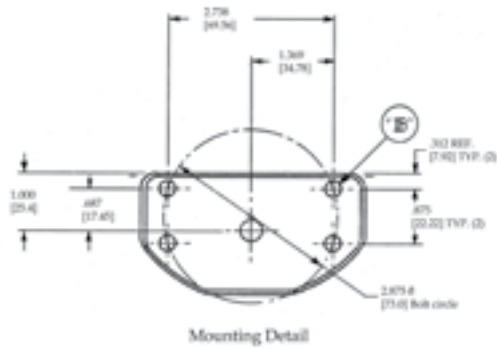
Part No: 1299046



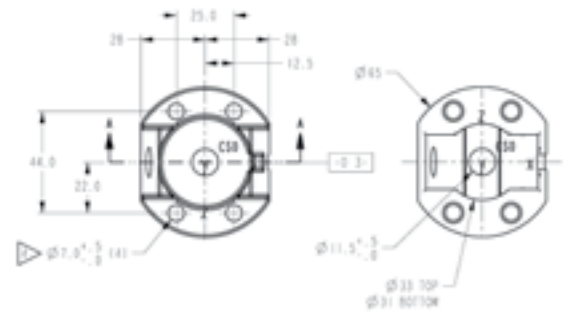
Speed: 2	Width: 5 7/16" (139mm)
Voltage: 12	Diameter: 6 1/4" (158.8mm)
Height: 9 1/2" (241.3mm)	Cage Color: Black
Cage Material: Metal	No. of Blades: 4
Base: Swivel Ball	Amp Draw: 4 amp max (high), 2 amp max (low)
Fan Guard: 2 1/16" (52mm)	



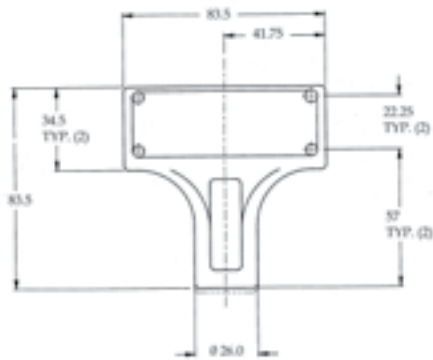
U-Joint Base - 1



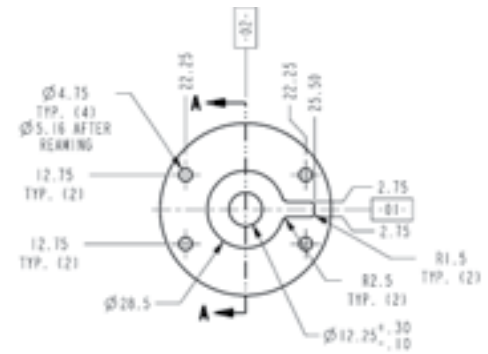
Swivel Ball Base - 2



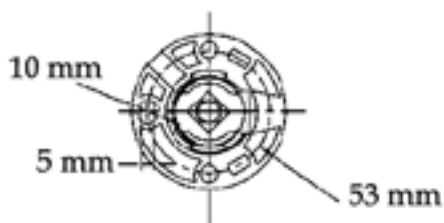
U-Joint Base - 3



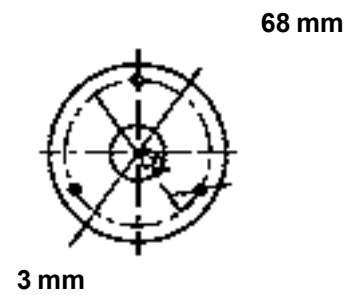
Swivel Ball Base - 4

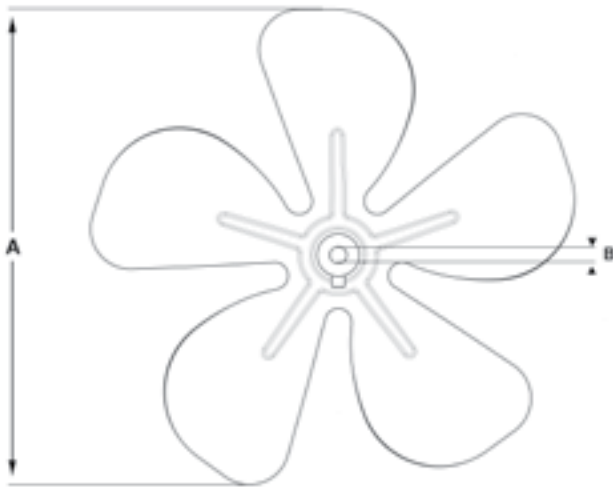


Swivel Ball Base - 5



Swivel Ball Base - 6





Legend:

- A = Fan Blade Diameter
- B = Bore Diameter
- CW = Clockwise
- CCW = Counter Clockwise

Fan Blade Specifications

Fan Blade Diameter (A)	Bore Diameter (B)	Material	Number of Blades	Blade Width	Rotation	Part No
5" (127mm)	1/4" (6.4mm)	Aluminum	4	1 1/4" (31.8mm)	CCW	1299028
5 1/2" (139.7mm)	1/4" (6.4mm)	Aluminum	4	1 1/16" (26.3mm)	CCW	1275004
6 1/2" (165.1mm)	1/4" (6.4mm)	Aluminum	4	1" (25.4mm)	CW	1299013
6 1/2" (165.1mm)	1/4" (6.4mm)	Aluminum	5	1 3/16" (30.2mm)	CW	1299016
6 1/2" (165.1mm)	1/4" (6.4mm)	Aluminum	4	3/4" (19mm)	CW	1299037
7" (177.8mm)	1/4" (6.4mm)	Aluminum	5	1 1/8" (28mm)	CW	1199056
7" (177.8mm)	1/4" (6.4mm)	Aluminum	5	1 1/16" (26.3mm)	CW	1299014
7" (177.8mm)	1/4" (6.4mm)	Aluminum	5	3/4" (19mm)	CW	1299015
7" (177.8mm)	5/16" (8mm)	Aluminum	5	1 9/16" (39.6mm)	CW	1299047
8" (203.2mm)	5/16" (8mm)	Aluminum	5	1 1/8" (28mm)	CW	1275007
8" (203.2mm)	5/16" (8mm)	Aluminum	5	1 1/8" (28mm)	CCW	1299048
8 3/4" (222.2mm)	5/16" (8mm)	Aluminum	5	1 1/4" (31.8mm)	CW	1275005
9" (228.6mm)	5/16" (8mm)	Aluminum	4	2 9/16" (65mm)	CW	1275001
10" (254mm)	5/16" (8mm)	Aluminum	5	1" (25.4mm)	CW	1299017
12" (304.8mm)	5/16" (8mm)	Aluminum	4	3 7/8" (96mm)	CW	1299020
10 1/32" (255mm)	5/16" (8mm)	Aluminum	4	2" (50.8mm)	CW	1275003
8 1/16" (205mm)	5/16" (8mm)	Aluminum	5	2" (50.8mm)	CW	1299019



Fan Blades

DEFROST FANS



Part No: 1199056



Rotation: CW	Diameter: 7" (177.8mm)
Bore Diameter: 1/4" (6.4mm)	No. of Blades: 5
Material: Aluminum	Blade Width: 1 1/8" (28mm)

Part No: 1275001



Rotation: CW	Diameter: 9" (228.6mm)
Bore Diameter: 5/16" (8mm)	No. of Blades: 4
Material: Aluminum	Blade Width: 2 9/16" (65mm)

Part No: 1275003



Rotation: CW	Diameter: 10 1/32" (255mm)
Bore Diameter: 5/16" (8mm)	No. of Blades: 4
Material: Aluminum	Blade Width: 2" (50.8mm)

Part No: 1275004



Rotation: CCW	Diameter: 5 1/2" (139.7mm)
Bore Diameter: 1/4" (6.4mm)	No. of Blades: 4
Material: Aluminum	Blade Width: 1 1/16" (26.3mm)

Part No: 1275005



Rotation: CW	Diameter: 8 3/4" (222.2mm)
Bore Diameter: 5/16" (8mm)	No. of Blades: 5
Material: Aluminum	Blade Width: 1 1/4" (31.8mm)

Part No: 1275007



Rotation: CW	Diameter: 8" (203.2mm)
Bore Diameter: 5/16" (8mm)	No. of Blades: 5
Material: Aluminum	Blade Width: 1 1/8" (28mm)

Part No: 1299013



Rotation: CW	Diameter: 6 1/2" (165.1mm)
Bore Diameter: 1/4" (6.4mm)	No. of Blades: 4
Material: Aluminum	Blade Width: 1" (25.4mm)

Part No: 1299014



Rotation: CW	Diameter: 7" (177.8mm)
Bore Diameter: 1/4" (6.4mm)	No. of Blades: 5
Material: Aluminum	Blade Width: 1 1/16" (26.3mm)


Part No: 1299015



Rotation: CW	Diameter: 7" (177.8mm)
Bore Diameter: 1/4" (6.4mm)	No. of Blades: 5
Material: Aluminum	Blade Width: 3/4" (19mm)



Part No: 1299016




Rotation: CW	Diameter: 6 1/2" (165.1mm)
Bore Diameter: 1/4" (6.4mm)	No. of Blades: 5
Material: Aluminum	Blade Width: 1 3/16" (30.2mm)

Part No: 1299017



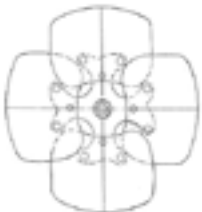
Rotation: CW	Diameter: 10" (254mm)
Bore Diameter: 5/16" (8mm)	No. of Blades: 5
Material: Aluminum	Blade Width: 1" (25.4mm)

Part No: 1299019



Rotation: CW	Diameter: 8 1/16" (205mm)
Bore Diameter: 5/16" (8mm)	No. of Blades: 5
Material: Aluminum	Blade Width: 2" (50.8mm)

Part No: 1299020




Rotation: CW	Diameter: 12" (304.8mm)
Bore Diameter: 5/16" (8mm)	No. of Blades: 4
Material: Aluminum	Blade Width: 3 7/8" (96mm)

Part No: 1299028



Rotation: CCW	Diameter: 5" (127mm)
Bore Diameter: 1/4" (6.4mm)	No. of Blades: 4
Material: Aluminum	Blade Width: 1 1/4" (31.8mm)

Part No: 1299037



Rotation: CW	Diameter: 6 1/2" (165.1mm)
Bore Diameter: 1/4" (6.4mm)	No. of Blades: 4
Material: Aluminum	Blade Width: 3/4" (19mm)

Part No: 1299047



Rotation: CW	Diameter: 7" (177.8mm)
Bore Diameter: 5/16" (8mm)	No. of Blades: 5
Material: Aluminum	Blade Width: 1 9/16" (39.6mm)

Part No: 1299048



Rotation: CCW	Diameter: 8" (203.2mm)
Bore Diameter: 5/16" (8mm)	No. of Blades: 5
Material: Aluminum	Blade Width: 1 1/8" (28mm)



KYSOR
by Bergstrom.

*Air Conditioning & Heating
Replacement Parts*



Clutches

Single Groove Clutches	214
Single Groove Specifications	214
Double Groove Clutches	216
Double Groove Specifications	216
Multi-Groove Specifications	219
Multi-Groove Clutches	219
Service Tips	222

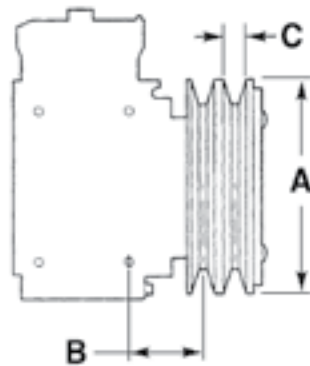


BUS

Availability of the products shown in this catalog is subject to change without notice by Bergstrom, Inc. For the most current product information please visit the Kysor distributor website at <https://parts.kysorhvac.com/>.

Call: 800.499.6849 for Technical Assistance

Single Groove Clutches


Legend:

A = Diameter
 B = Gauge Line
 C = Groove Width

Single Groove Specifications

Diameter (A)	Gauge Line (B)	Groove Width (C)	Voltage	Type	OEM No.	Part No
Blissfield/Tecumseh/T/CCI						
12V						
6" (152.4mm)	2 3/4" (69.9mm)	17/32" (13.3mm)	12	Blissfield/Tecumseh/T/CCI	502409	1399005
6" (152.4mm)	2 23/32" (69.1mm)	1/2" (12.7mm)	12	Blissfield/Tecumseh/T/CCI	508888	1399013
6 5/16" (160.3mm)	2 23/32" (69.1mm)	19/32" (15.1mm)	12	Blissfield/Tecumseh/T/CCI	515528	1313002
6 11/16" (169.9mm)	2 23/32" (69.1mm)	1/2" (12.7mm)	12	Blissfield/Tecumseh/T/CCI	502393	1312001
6 7/8" (170.18mm)	1 25/32" (45.2mm)	39/64" (15.5mm)	12	Blissfield/Tecumseh/T/CCI	502731	1399017
7 3/8" (187.3mm)	1 61/64" (49.6mm)	13/16" (20.6mm)	12	Blissfield/Tecumseh/T/CCI	502400	1399027
24V						
6 3/4" (171.5mm)	1 25/32" (45.2mm)	1/2" (12.7mm)	24	Blissfield/Tecumseh/T/CCI	1466-71	1399035
6 7/8" (174.6mm)	1 41/64" (41.5mm)	1/2" (12.7mm)	24	Blissfield/Tecumseh/T/CCI	1466-84	1399028
7 1/4" (184.2mm)	3 1/8" (79.4mm)	1/2" (12.7mm)	24	Blissfield/Tecumseh/T/CCI	1466-74	1399061
Seltec/Diesel Kiki/Zexel						
12V						
6 1/4" (158.8mm)	1 7/8" (47.6mm)	25/32" (19.8mm)	12	Seltec/Diesel Kiki/Zexel	-	1399014

Part No: 1312001


Voltage: 12

Diameter: 6 11/16" (169.9mm)

Groove Width: 1/2" (12.7mm)

Gauge Line: 2 23/32" (69.1mm)

No. of Grooves: 1

Type: Blissfield/Tecumseh/T/CCI, 502393

Part No: 1313002


Voltage: 12

Diameter: 6 5/16" (160.3mm)

Groove Width: 19/32" (15.1mm)

Gauge Line: 2 23/32" (69.1mm)

No. of Grooves: 1

Type: Blissfield/Tecumseh/T/CCI, 515528

Part No: 1399005


Voltage: 12

Diameter: 6" (152.4mm)

Groove Width: 17/32" (13.3mm)

Gauge Line: 2 3/4" (69.9mm)

No. of Grooves: 1

Type: Blissfield/Tecumseh/T/CCI, 502409



Single Groove Clutches

2

Part No: 1399013



Voltage: 12
Diameter: 6" (152.4mm)
Groove Width: 1/2" (12.7mm)
Gauge Line: 2 23/32" (69.1mm)
No. of Grooves: 1
Type: Blissfield/Tecumseh/T/CCI, 508888

Part No: 1399014



Voltage: 12
Diameter: 6 1/4" (158.8mm)
Groove Width: 25/32" (19.8mm)
Gauge Line: 1 7/8" (47.6mm)
No. of Grooves: 1
Type: Seltec/Diesel Kiki/Zexel, 0

Part No: 1399017



Voltage: 12
Diameter: 6 7/8" (170.18mm)
Groove Width: 39/64" (15.5mm)
Gauge Line: 1 25/32" (45.2mm)
No. of Grooves: 1
Type: Blissfield/Tecumseh/T/CCI, 502731

Part No: 1399027



Voltage: 12
Diameter: 7 3/8" (187.3mm)
Groove Width: 13/16" (20.6mm)
Gauge Line: 1 61/64" (49.6mm)
No. of Grooves: 1
Type: Blissfield/Tecumseh/T/CCI, 502400

Part No: 1399028



Voltage: 24
Diameter: 6 7/8" (174.6mm)
Groove Width: 1/2" (12.7mm)
Gauge Line: 1 41/64" (41.5mm)
No. of Grooves: 1
Type: Blissfield/Tecumseh/T/CCI, 1466-84

Part No: 1399035



Voltage: 24
Diameter: 6 3/4" (171.5mm)
Groove Width: 1/2" (12.7mm)
Gauge Line: 1 25/32" (45.2mm)
No. of Grooves: 1
Type: Blissfield/Tecumseh/T/CCI, 1466-71

Part No: 1399061

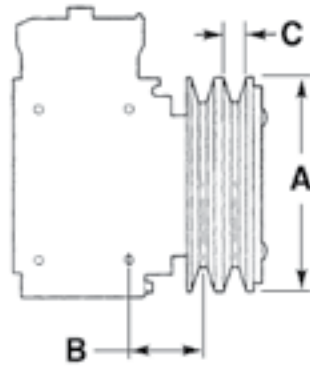


Voltage: 24
Diameter: 7 1/4" (184.2mm)
Groove Width: 1/2" (12.7mm)
Gauge Line: 3 1/8" (79.4mm)
No. of Grooves: 1
Type: Blissfield/Tecumseh/T/CCI, 1466-74

CLUTCHES



Double Groove Clutches


Legend:

A = Diameter
B = Gauge Line
C = Groove Width

Double Groove Specifications

Diameter (A)	Gauge Line (B)	Groove Width (C)	Voltage	Type	OEM No.	Part No
Blissfield/Tecumseh/T/CCI						
12V						
6" (152.4mm)	1 41/64" (41.7mm)	1/2" (12.7mm)	12	Blissfield/Tecumseh/T/CCI	332639	1313005
6" (152.4mm)	2 23/32" (69.1mm)	1/2" (12.7mm)	12	Blissfield/Tecumseh/T/CCI	511204	1313006
6" (152.4mm)	2 23/32" (69.1mm)	1/2" (12.7mm)	12	Blissfield/Tecumseh/T/CCI	503887	1313008
6" (152.4mm)	1 21/32" (41.9mm)	1/2" (12.7mm)	12	Blissfield/Tecumseh/T/CCI	501939	1380001
6" (152.4mm)	1 21/32" (41.9mm)	1/2" (12.7mm)	12	Blissfield/Tecumseh/T/CCI	522582	1380002
6" (152.4mm)	1 21/32" (41.9mm)	1/2" (12.7mm)	12	Blissfield/Tecumseh/T/CCI	332639	1380003
6 3/4" (171.5mm)	2 11/32" (59.4mm)	1/2" (12.7mm)	12	Blissfield/Tecumseh/T/CCI	502742	1399004
7" (177.8mm)	1 41/64" (41.9mm)	1/2" (12.7mm)	12	Blissfield/Tecumseh/T/CCI	332334	1399046
Sanden						
12V						
4 15/16" (125.4mm)	2 5/32" (54.8mm)	5/8" (15.9mm)	12	Sanden	4695-9931	1399068
5 1/4" (133.4mm)	2" (50.8mm)	1/2" (12.7mm)	12	Sanden	6511-6210	1399041
Seltec/Diesel Kiki/Zexel						
12V						
6" (152.4mm)	59/64" (23.5mm)	1/2" (12.7mm)	12	Seltec/Diesel Kiki/Zexel	-	1380008
6 3/16" (157.2mm)	59/64" (23.5mm)	39/64" (15.2mm)	12	Seltec/Diesel Kiki/Zexel	-	1380010
Seltec/Diesel Kiki/Zexel						
24V						
6" (152.4mm)	59/64" (23.5mm)	1/2" (12.7mm)	24	Seltec/Diesel Kiki/Zexel	-	1380009
6" (152.4mm)	1 41/64" (41.9mm)	1/2" (12.7mm)	24	Seltec/Diesel Kiki/Zexel	-	1399045
6 3/16" (157.2mm)	59/64" (23.5mm)	39/64" (15.2mm)	24	Seltec/Diesel Kiki/Zexel	-	1380011



Double Groove Clutches

2

Part No: 1313005



Voltage: 12
Diameter: 6" (152.4mm)
Groove Width: 1/2" (12.7mm)
Gauge Line: 1 41/64" (41.7mm)
No. of Grooves: 2
Type: Blissfield/Tecumseh/T/CCI, 332639

Part No: 1313006



Voltage: 12
Diameter: 6" (152.4mm)
Groove Width: 1/2" (12.7mm)
Gauge Line: 2 23/32" (69.1mm)
No. of Grooves: 1
Type: Blissfield/Tecumseh/T/CCI, 511204

Part No: 1313008



Voltage: 12
Diameter: 6" (152.4mm)
Groove Width: 1/2" (12.7mm)
Gauge Line: 2 23/32" (69.1mm)
No. of Grooves: 1
Type: Blissfield/Tecumseh/T/CCI, 503887

Part No: 1380001



Voltage: 12
Diameter: 6" (152.4mm)
Groove Width: 1/2" (12.7mm)
Gauge Line: 1 21/32" (41.9mm)
No. of Grooves: 2
Type: Blissfield/Tecumseh/T/CCI, 501939

Part No: 1380002



Voltage: 12
Diameter: 6" (152.4mm)
Groove Width: 1/2" (12.7mm)
Gauge Line: 1 21/32" (41.9mm)
No. of Grooves: 2
Type: Blissfield/Tecumseh/T/CCI, 522582

Part No: 1380003




Voltage: 12
Diameter: 6" (152.4mm)
Groove Width: 1/2" (12.7mm)
Gauge Line: 1 21/32" (41.9mm)
No. of Grooves: 2
Type: Blissfield/Tecumseh/T/CCI, 332639

Part No: 1380008



Voltage: 12
Diameter: 6" (152.4mm)
Groove Width: 1/2" (12.7mm)
Gauge Line: 59/64" (23.5mm)
No. of Grooves: 2
Type: Seltec/Diesel Kiki/Zexel

Part No: 1380009



Voltage: 24
Diameter: 6" (152.4mm)
Groove Width: 1/2" (12.7mm)
Gauge Line: 59/64" (23.5mm)
No. of Grooves: 2
Type: Seltec/Diesel Kiki/Zexel

Part No: 1380010



Voltage: 12
Diameter: 6 3/16" (157.2mm)
Groove Width: 39/64" (15.2mm)
Gauge Line: 59/64" (23.5mm)
No. of Grooves: 2
Type: Seltec/Diesel Kiki/Zexel

CLUTCHES



Double Groove Clutches

Part No: 1380011



Voltage: 24

Diameter: 6 3/16" (157.2mm)

Groove Width: 39/64" (15.2mm)

Gauge Line: 59/64" (23.5mm)

No. of Grooves: 2

Type: Seltec/Diesel Kiki/Zexel, 0

Part No: 1399004



Voltage: 12

Diameter: 6 3/4" (171.5mm)

Groove Width: 1/2" (12.7mm)

Gauge Line: 2 11/32" (59.4mm)

No. of Grooves: 2

Type: Blissfield/Tecumseh/T/CCI, 502742

Part No: 1399041



Voltage: 12

Diameter: 5 1/4" (133.4mm)

Groove Width: 1/2" (12.7mm)

Gauge Line: 2" (50.8mm)

No. of Grooves: 2

Type: Sanden, 6511-6210

Part No: 1399045



Voltage: 24

Diameter: 6" (152.4mm)

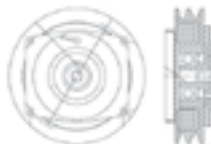
Groove Width: 1/2" (12.7mm)

Gauge Line: 1 41/64" (41.9mm)

No. of Grooves: 2

Type: Seltec/Diesel Kiki/Zexel, 0

Part No: 1399046



Voltage: 12

Diameter: 7" (177.8mm)

Groove Width: 1/2" (12.7mm)

Gauge Line: 1 41/64" (41.9mm)

No. of Grooves: 2

Type: Blissfield/Tecumseh/T/CCI, 332334

Part No: 1399068



Voltage: 12

Diameter: 4 15/16" (125.4mm)

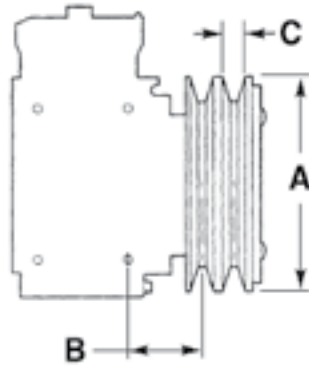
Groove Width: 5/8" (15.9mm)

Gauge Line: 2 5/32" (54.8mm)

No. of Grooves: 2

Type: Sanden, 4695-9931





Legend:

- A = Diameter
- B = Gauge Line
- C = Groove Width

Multi-Groove Specifications

A (Diameter)	B (Gauge Line)	C (Groove Width)	Voltage	No. of Grooves	Type	OEM No.	Part No
Blissfield/Tecumseh/T/CCI							
12V							
5 5/16" (134.9mm)	1 1/2" (38.1mm)	9/64" (3.6mm)	12	8	Blissfield/Tecumseh/T/CCI	515376	1380007
5 13/16" (147.6mm)	1 15/16" (49.2mm)	9/64" (3.6mm)	12	8	Blissfield/Tecumseh/T/CCI	522584	1380006
6" (152.4mm)	2 3/8" (60.3mm)	9/64" (3.6mm)	12	6	Blissfield/Tecumseh/T/CCI	518521	1312002
6" (152.4mm)	1 11/16" (42.6mm)	9/64" (3.6mm)	12	6	Blissfield/Tecumseh/T/CCI	522582	1380004
6" (152.4mm)	1 11/16" (42.6mm)	9/64" (3.6mm)	12	6	Blissfield/Tecumseh/T/CCI	520226	1380005
6" (152.4mm)	1 31/32" (50mm)	9/64" (3.6mm)	12	6	Blissfield/Tecumseh/T/CCI	14432	1399008
Sanden							
12V							
4 11/16" (119mm)	1 5/64" (27.4mm)	27/32" (21.4mm)	12	7	Sanden	6520-6010	1399059
4 15/16" (125.4mm)	2" (50.8mm)	9/64" (3.6mm)	12	10	Sanden	-	1399075
Seltec/Diesel Kiki/Zexel							
12V							
6 3/16" (157.2mm)	19/32" (15mm)	9/64" (3.6mm)	12	8	Seltec/Diesel Kiki/Zexel	-	1380012
6 3/16" (157.2mm)	43/64" (17mm)	9/64" (3.6mm)	12	10	Seltec/Diesel Kiki/Zexel	-	1380014
Seltec/Diesel Kiki/Zexel							
24V							
6 3/16" (157.2mm)	19/32" (15mm)	9/64" (3.6mm)	24	8	Seltec/Diesel Kiki/Zexel	-	1380013
6 3/16" (157.2mm)	43/64" (17mm)	9/64" (3.6mm)	24	10	Seltec/Diesel Kiki/Zexel	-	1380015

CLUTCHES



Multi-Groove Clutches

CLUTCHES

Part No: 1312002



Voltage: 12

Diameter: 6" (152.4mm)

Groove Width: 9/64" (3.6mm)

Gauge Line: 2 3/8" (60.3mm)

No. of Grooves: 6

Type: Blissfield/Tecumseh/T/CCI, 518521

Part No: 1380004



Voltage: 12

Diameter: 6" (152.4mm)

Groove Width: 9/64" (3.6mm)

Gauge Line: 1 11/16" (42.6mm)

No. of Grooves: 6

Type: Blissfield/Tecumseh/T/CCI, 522582

Part No: 1380005



Voltage: 12

Diameter: 6" (152.4mm)

Groove Width: 9/64" (3.6mm)

Gauge Line: 1 11/16" (42.6mm)

No. of Grooves: 6

Type: Blissfield/Tecumseh/T/CCI, 520226

Part No: 1380006



Voltage: 12

Diameter: 5 13/16" (147.6mm)

Groove Width: 9/64" (3.6mm)

Gauge Line: 1 15/16" (49.2mm)

No. of Grooves: 8

Type: Blissfield/Tecumseh/T/CCI, 522584

Part No: 1380007



Voltage: 12

Diameter: 5 5/16" (134.9mm)

Groove Width: 9/64" (3.6mm)

Gauge Line: 1 1/2" (38.1mm)

No. of Grooves: 8

Type: Blissfield/Tecumseh/T/CCI, 515376

Part No: 1380012



Voltage: 12

Diameter: 6 3/16" (157.2mm)

Groove Width: 9/64" (3.6mm)

Gauge Line: 19/32" (15mm)

No. of Grooves: 8

Type: Seltec/Diesel Kiki/Zexel, 0

Part No: 1380013



Voltage: 24

Diameter: 6 3/16" (157.2mm)

Groove Width: 9/64" (3.6mm)

Gauge Line: 19/32" (15mm)

No. of Grooves: 8

Type: Seltec/Diesel Kiki/Zexel, 0

Part No: 1380014



Voltage: 12

Diameter: 6 3/16" (157.2mm)

Groove Width: 9/64" (3.6mm)

Gauge Line: 43/64" (17mm)

No. of Grooves: 10

Type: Seltec/Diesel Kiki/Zexel, 0

Part No: 1380015



Voltage: 24

Diameter: 6 3/16" (157.2mm)

Groove Width: 9/64" (3.6mm)

Gauge Line: 43/64" (17mm)

No. of Grooves: 10

Type: Seltec/Diesel Kiki/Zexel, 0

Part No: 1399008



Voltage: 12
Diameter: 6" (152.4mm)
Groove Width: 9/64" (3.6mm)
Gauge Line: 1 31/32" (50mm)
No. of Grooves: 6
Type: Blissfield/Tecumseh/T/CCI, 14432

Part No: 1399059



Voltage: 12
Diameter: 4 11/16" (119mm)
Groove Width: 27/32" (21.4mm)
Gauge Line: 1 5/64" (27.4mm)
No. of Grooves: 7
Type: Sanden, 6520-6010

Part No: 1399075



Voltage: 12
Diameter: 4 15/16" (125.4mm)
Groove Width: 9/64" (3.6mm)
Gauge Line: 2" (50.8mm)
No. of Grooves: 10
Type: Sanden, 0



Service Tips

The clutch is designed to turn the compressor on and off. This is achieved by controlling the voltage to an electromagnetic coil that engages or disengages depending on the demand of the evaporator thermostat.

Clutch Service Tips

Verify Clutch Engagement	With the engine running and the A/C on full, verify the clutch is engaging/disengaging. With a jumper wire hooked up from a reliable power source, the clutch plate should engage. If not, the plate is defective.
Field Coil	Open circuit in field coil will show during resistance check.
Pulley & Belt	The pulley and belt should be aligned and free of any noise or slippage
Rotor	The rotor should be free of any signs indicating rubbing on the field coil outer diameter.



CLUTCHES



Notes



KYSOR
by Bergstrom

*Air Conditioning & Heating
Replacement Parts*



Compressors

Sanden to Kysor Interchange 224

Sanden Style Compressors 227

- R-134a Compressor Specifications 227
- R-134a Compressors - OEM Version 242
- R-134a Compressors - Aftermarket Version 265
- Head Types 277
- Sanden Clutch Variations 278
- Sanden R-134a Model Specifications 279
- Manufacturing Date Codes 279
- Assembly Mounting Angles 279
- Compressor Nomenclature 279
- Label Configuration 279
- R-12 to R-134a Model Conversions 280
- Belt Tension 280
- Speed Rating 280
- R-12 to R-134a Conversion Procedure 280
- Compressor Troubleshooting 281
- FLX 7 R-134a Replacement Matrix 283
- Sanden Flx 7 Replacement Adapter Fittings 284

A6 Compressors 284
R-134a Compressors - A6 Style 284

Denso Compressors 285
R-134a Compressor Specifications - Denso 285
R-134a Compressors - OEM Version 285
R-134a Compressors - Aftermarket Version 285

Seltec/Ice/Valeo Style Compressors 286
R-134a Compressor Specifications - Seltec/ICE/Valeo Style 286
R-134a Compressors - Seltec/Ice/Valeo Style 288
R-134a Compressors - Aftermarket Version 293

- Valeo to Seltec / ICE to Que Interchange 294
- Seltec Label Configuration 295
- Clutch Variations 296
- Cylinder Head Variations 296
- R-134a Compressor Specifications - York/T/CCI Style 297
- R-134a Compressors - York/T/CCI Style 297

York/T/CCI Style Compressors 297

- R-134a Compressors - Aftermarket Version 298
- York/T/CCI to New Universal Interchange 299
- Compressor Engine Application Table 299
- Compressor Configuration 300
- Compressor Troubleshooting 301

Compressor Mounting Brackets & Seal Kits 302

Pulley & Spacers 302

Service Valves 303

Compressor Service Parts 303

- Rotolock Compressor Service Valves - York/T/CCI/Tecumseh R-12 304
- Tube O-Ring Compressor Service Valves - York/T/CCI/Tecumseh R-12 305
- Rotolock Compressor Service Valves - York/T/CCI/Tecumseh R-134a 305
- Tube O-Ring Compressor Service Valves - York/T/CCI/Tecumseh R-134a 306
- Ford Compressor Service Valves 306
- Seltec & Sanden w/out Service Ports on Compressor 307

Caps 307



BUS

Availability of the products shown in this catalog is subject to change w/out notice by Bergstrom, Inc. For the most current product information please visit the Kysor distributor website at <https://parts.kysorhvac.com/>.

Sanden to Kysor Interchange

Sanden No.	Kysor No.
2134	1412011*
4010	1401450
4018	1401497
4020	1401498
4025	1401442
4027	1401411
4027	1412007*
4028	1401408
4028	1410075*
4034	1401409
4034	1410076*
4039	1401404
4039	1410002*
4040	1401405
4040	1410003*
4041	1401406
4041	1410019*
4042	1401390
4042	1410022*
4051	1401451
4052	1401436
4052	1410077*
4066	1401452
4073	1401442
4074	1401453
4075	1401428
4076	1401410
4077	1401413
4078	1401416
4078	1401416
4079	1401435
4080	1401414
4081	1401417
4082	1401396
4082	1410099*
4083	1401418
4083	1410100*
4084	1401420
4084	1410101*
4087	1401424
4088	1401425
4088	1410102*
4089	1401415
4090	1401432
4091	1401447
4093	1401499
4096	1401500
4097	1401438
4097	1440001*
4097	1441003*
4098	1440003*
4098	1441002*
4099	1401501
4099	1440002*
4099	1441001*
4108	1401438
4108	1412010*

Sanden No.	Kysor No.
4108	1440001*
4108	1441003*
4108U	1401438
4108U	1412010*
4117	1412011*
4117U	1401444
4117U	1412011*
4120	1412013*
4120U	1401443
4120U	1412013*
4121	1401520
4121U	1401520
4128	1401509
4148	1401532
4148	1410107*
4261	1401502
4269	1401136
4269	1401454
4271	1401455
4271U	1401455
4272	1401456
4277	1401494
4277U	1401494
4281	1401503
4281U	1401503
4285	1412013*
4286	1401444
4286	1412011*
4301	1401457
4302	1401458
4303	1401353
4303	1410059*
4304	1401354
4304	1410082*
4305	1401355
4305	1410056*
4306	1401356
4306	1410001*
4307	1401421
4307	1410074*
4308	1401429
4308	1410073*
4310U	1401448
4312	1401459
4314	1401460
4318	1401403
4318	1410060*
4322	1401445
4325	1401504
4326	1401437
4326	1412009*
4327	1401505
4332	1401401
4332	1410086*
4334	1401461
4347	1401422
4347	1412008*

Sanden No.	Kysor No.
4350	1401450
4350	1410036*
4362	1401440
4362	1401519
4362	1410093*
4368	1401413
4376	1401435
4377	1401414
4379	1410080*
4381	1401425
4383	1401415
4384	1401446
4384	1412014*
4384U	1412014*
4391	1401432
4392	1401423
4392	1412012*
4394	1401507
4398	1401417
4401	1401462
4402	1401463
4404	1401464
4405	1401465
4408	1401447
4417	1410007*
4418	1401389
4418	1410088*
4419	1401200
4419	1412002*
4420	1401201
4420	1401448
4420	1410031*
4421	1410023*
4422	1410059*
4423	1410082*
4424	1410002*
4425	1410003*
4426	1401406
4426	1410019*
4427	1410056*
4428	1410001*
4429	1412004*
4430	1410026*
4431	1410006*
4432	1410022*
4433	1410004*
4434	1401225
4434	1410032*
4435	1401226
4435	1410033*
4440	1401466
4455	1401495
4467	1401402
4467	1410097*
4468	1401467
4468	1410061*

* Aftermarket version compressor

Sanden to Kysor Interchange



Sanden No.	Kysor No.
4469	1401106
4469	1410057*
4471	1401121
4471	1410005*
4472	1401359
4472	1412004*
4473	1401360
4473	1410026*
4474	1401361
4474	1410058*
4475	1401126
4475	1412003*
4477	1401120
4477	1410006*
4478	1401468
4479	1401469
4482	1401399
4482	1410023*
4484	1401342
4484	1410004*
4485	1401346
4485	1410007*
4486	1410059*
4487	1401508
4488	1401122
4488	1410008*
4489	1401470
4490	1401400
4490	1410009*
4491	1401125
4491	1410018*
4492	1401127
4492	1410092*
4493	1401362
4493	1410010*
4494	1401427
4494	1410011*
4495	1401357
4495	1410095*
4496	1401364
4497	1401365
4497	1410012*
4499	1401471
4506	1401485
4506	1410062*
4507	1401485
4507	1410062*
4508	1401101
4508	1410063*
4509	1401484
4509	1410064*
4510	1401484
4510	1410064*
4511	1401101
4511	1401104
4513	1401348
4516	1401140

Sanden No.	Kysor No.
4516	1410065*
4530	1401332
4536	1410066*
4537	1401136
4542	1401450
4542	1410036*
4543	1401396
4544	1401407
4546	1401426
4546	1410025*
4548	1401418
4549	1401410
4577	1401531
4577	1410106*
4596	1401510
4597	1401510
4600	1401366
4600	1410034*
4602	1410067*
4603	1410057*
4604	1401467
4604	1410061*
4616	1401472
4617	1401367
4617	1410035*
4618	1401347
4618	1401450
4618	1410036*
4626	1401107
4626	1410013*
4627	1401108
4627	1410014*
4628	1410068*
4637	1401109
4637	1410037*
4639	1410016*
4641	1401473
4643	1401330
4643	1410038*
4644	1410016*
4645	1401110
4645	1412001*
4646	1401111
4646	1410015*
4647	1410016*
4652	1401113
4652	1410039*
4653	1401433
4653	1410069*
4659	1410083*
4660	1401114
4660	1410017*
4663	1401331
4663	1410040*
4664	1401115
4664	1410016*
4665	1401116

Sanden No.	Kysor No.
4666	1401117
4666	1410041*
4667	1401371
4667	1410041*
4672	1401118
4672	1412002*
4672	1412003*
4675	1401511
4678	1401474
4687	1401119
4687	1410091*
4694	1410008*
4695	1410018*
4696	1401406
4696	1410019*
4698	1401512
4699	1410013*
4700	1401344
4700	1410020*
4704	1401365
4704	1410012*
4705	1406006
4705	1410042*
4707	1401475
4708	1401476
4710	1401477
4711	1401373
4711	1410043*
4712	1401496
4713	1410070*
4715	1410024*
4716	1410009*
4717	1410021*
4718	1410056*
4720	1401478
4731	1410002*
4733	1410010*
4734	1410006*
4735	1401121
4735	1410005*
4736	1410008*
4739	1401374
4739	1410084*
4740	1410004*
4742	1401479
4745	1401123
4745	1410085*
4746	1401138
4747	1401480
4752	1410018*
4753	1410044*
4757	1410011*
4759	1410022*
4761	1401127
4762	1401128
4762	1410087*

* Aftermarket version compressor

Sanden to Kysor Interchange

Sanden No.	Kysor No.
4767	1410059*
4775	1401386
4776	1410023*
4777	1410021*
4778	1410024*
4779	1401375
4779	1401383
4779	1410029*
4780	1410013*
4781	1401334
4781	1410083*
4792	1410003*
4796	1401440
4800	1401481
4802	1401438
4802	1412010*
4804	1401419
4805	1401482
4808	1401420
4810	1401377
4815	1410025*
4816	1410046*
4818	1410007*
4819	1401339
4819	1410026*
4820	1401340
4820	1410094*
4821	1401341
4821	1412004*
4822	1401133
4822	1410027*
4823	1401378
4823	1412005*
4848	1401521
4855	1401525
4860	1401202
4860	1410047*
4862	1401204
4862	1410048*

Sanden No.	Kysor No.
4864	1401206
4864	1410049*
4866	1401208
4866	1410050*
4868	1401210
4868	1410051*
4870	1401212
4870	1410052*
4872	1401214
4872	1412001*
4874	1410054*
4875	1401217
4875	1410105*
4877	1401219
4877	1410104*
4881	1410055*
4883	1401397
4883	1410028*
4884	1410007*
4885	1401513
4885	1410023*
4890	1401379
4890	1410024*
4891	1410011*
4892	1410010*
4893	1401380
4893	1410021*
4895	1401382
4895	1410020*
4896	1401375
4896	1401383
4896	1410029*
4897	1412006*
5072	1401391
5073	1401514
5077	1401392
6035	1401493
6321	1401483
6626	1401484

Sanden No.	Kysor No.
6627	1401485
6631	1401348
6632	1401486
6634	1401136
6642	1401515
6656	1401101
6656	1410063*
6664	1401484
6664	1410064*
6665	1401485
6665	1410062*
6671	1401101
6671	1401104
6672	1401140
6672	1410065*
6673	1401522
6674	1401332
6676	1401333
6676	1410066*
6677	1401529
6697	1401488
7170	1401516
7304	1401495
7360	1401489
7804	1410058*
7819	1401135
7819	1410071*
7822	1401384
7822	1410072*
8045	1401490
8104	1410016*
8105	1410068*
8112	1401523
8144	1401491
8152	1401492
8242	1401518
8243	1401493
9570	1412011*

* Aftermarket version compressor

R-134a Compressor Specifications

Sanden No.	Model Type	Mount Type	Cylinder Head			Clutch					Oil Amount (cc)	Connector	Part No
			Type	Port Angle	Size/Thread	Size	Groove	Voltage	Shaft Type	Assy No.			
2134	SD7H15SPR HD	Direct Short	WV	Horizontal	O-Ring	5 3/64" (128mm)/ 5 1/8" (130mm)	PV8	12V	Long Key Shaft	Not Serviced	300	15300002	1412011*
4018	SD7H15	SD7 Direct Short	0	Vertical	O-Ring Compression	4 15/16" (125mm)	PV10	12V	Long Key Shaft	Not Serviced	300	2 Wire Female Packard #15300002	1401497
4020	SD7H15	SD7 Direct Long	GH	Horizontal	O-Ring Compression	4 11/16" (119mm)	PV8	12V	Long Key Shaft	Not Serviced	300	2 Wire Female Packard #15300002	1401498
4025	SD7H15SPR HD	Direct Long	WH	Vertical	Pad (U) @ 45 internal 3/4 x 7/8	4 11/16" (119mm)	PV8	12V	Long Key Shaft	4368-9931	300	3 Wire Delphi 15300003	1401442
4027	SD7H15	SD7 Direct Long	GV	Horizontal	O-Ring	4 15/16" (125mm)	PV6	12V	Long Key Shaft	6574-6010	250	1 Wire Male Packard #12015791 w/ Diode	1401411
4027	SD7H15HD	Direct ADM/LDM	GV	Horizontal	GM Pad Metric	4 59/64" (125mm)	PV6	12V	Long Key Shaft	4883-9931	250	12V015791	1412007*
4028	SD7H15HD	Direct ADM/LDM	GV	Horizontal	GM Pad Metric	4 11/16" (119mm)	PV8	12V	Long Key Shaft	4420-9931	250	12V015791	1401408
4028	SD7H15HD	Direct ADM/LDM	GV	Horizontal	GM Pad Metric	4 11/16" (119mm)	PV8	12V	Long Key Shaft	4420-9931	250	1 Wire Male Packard #12015791 w/ Diode	1410075*
4034	SD7H15	SD7 Direct Long	GV	Horizontal	O-Ring	4 11/16" (119mm)	PV10	12V	Long Key Shaft	4347-9930	300	2 Wire Female Packard #15300002	1401409
4034	SD7H15 Enhanced	Direct ADM/LDM	GV	Horizontal	GM Pad Metric	4 11/16" (119mm)	PV10	12V	Long Key Shaft	4347-9930	300	2 pin Metripack truck	1410076*
4039	SD7H15	SD7 Direct Long	GSA	Vertical	O-Ring Compression	4 15/16" (125mm)	PV6	12V	Long Key Shaft	4883-9931	300	2 Wire Female Packard #15300002	1401404
4039	SD7H15HD	Direct ADM/LDM	GSA/ GH	Vertical/ Horizontal	Pad	4 15/16" (125mm)	PV6	12V	Involute Spline 13 X 24 X 0.5	4756-9931, 4424-9931	300	2 pin Metripack truck/ 15300002	1410002*
4040	SD7H15	SD7 Direct Long	GQ	Vertical	O-Ring Compression	4 15/16" (125mm)	PV6	12V	Long Key Shaft	4883-9931	300	2 Wire Female Packard #15300002	1401405
4040	SD7H15HD	Direct ADM/LDM	GQ	Vertical	Pad @ 90	4 15/16" (125mm)	PV6	12V	Involute Spline 13 X 24 X 0.5	4756-9931, 4424-9931	300	2 Wire Female Packard/ 15300002	1410003*
4041	SD7H15	Ear 8 Long	GQ	Vertical	O-Ring Compression	4 15/16" (125mm)	A2	12V	Long Key Shaft	Not Serviced	300	2 Wire Female Packard #15300002	1401406
4041	SD7H15HD	Ear 8 Long	GQ	Vertical	Pad @ 90	4 15/16" (125mm)	A2	12V	Long Key Shaft	4695-9931, RB 4426-9931	300	Packard long/ Solder/Diode 1530002 200mm	1410019*
4042	SD7H15	SD7 Direct Long	GQ	Vertical	O-Ring Compression	4 11/16" (119mm)	PV8	12V	Long Key Shaft	4705-9930	300	2 Wire Female Packard #15300002	1401390
4042	SD7H15HD	Direct ADM/LDM	GQ	Vertical	Pad @ 90	4 11/16" (119mm)	PV8	12V	Involute Spline 13 X 24 X 0.5	4776-9931, 4417-9931	300	15300002/3 pin Metripack truck/4 pin Metripack truck	1410022*
4051	SD7H15	SD7 Direct Long	GV	Horizontal	O-Ring	4 15/16" (125mm)	PV12	24V	Long Key Shaft	Not Serviced	300	1 Wire Male Packard #12015791 w/ Diode & Bullet Jumper	1401451
4052	SD7H15 Enhanced	Direct ADM/LDM	GV	Horizontal	GM Pad Metric	4 15/16" (125mm)	A2	24V	Long Key Shaft	Not Serviced	300	1 Wire male Packard	1401436
4052	SD7H15 Enhanced	Direct ADM/LDM	GV	Horizontal	GM Pad Metric	4 15/16" (125mm)	A2	24V	Long Key Shaft	-	300	1 Wire Male Packard #12015791 w/ Diode	1410077*
4066	SD7H15	SD7 Direct Long	GV	Horizontal	O-Ring	4 11/16" (119mm)	PV8	24V	Long Key Shaft	4866-9931	300	1 Wire Male Packard #12015791 w/ Diode & Bullet Jumper	1401452
4073	SD7H15SPR HD	Direct Long	WH	Vertical	Pad (U) @ 45 internal 3/4 x 7/8	4 11/16" (119mm)	PV8	12V	Long Key Shaft	4368-9931	300	3 Wire Delphi 15300003	1401442
4074	SD7H15	SD7 Direct Long	JDA	Vertical	3/4 x 7/8	4 11/16" (119mm)	PV8	24V	Long Key Shaft	Not Serviced	300	2 Wire Female Packard #15300002	1401453
4075	SD7H15	SD7 Direct Long	GH	Horizontal	O-Ring Compression	4 11/16" (119mm)	PV8	12V	Long Key Shaft	4368-9931	300	2 Wire Female Packard #15300002	1401428

* Aftermarket version compressor

COMPRESSORS



Sanden Style Compressors

R-134a Compressor Specifications

Sanden No.	Model Type	Mount Type	Cylinder Head			Clutch					Oil Amount (cc)	Connector	Part No
			Type	Port Angle	Size/Thread	Size	Groove	Voltage	Shaft Type	Assy No.			
4076	SD7H15SPR HD	Direct	GH	Horizontal	Pad	4 15/16" (125mm)	PV6	12V	Long Key Shaft	4376-9931	300	15300002	1401410
4077	SD7H15SPR HD	Direct ADM/LDM	GQ	Vertical	Pad @ 90	4 11/16" (119mm)	PV8	12V	Long Key Shaft	4368-9931	300	15300002	1401413
4078	SD7H15SPR HD	Direct TDM/SDM	GQ	Vertical	Pad @ 90	5" (127mm)	PV12/PV10	12V	Long Key Shaft	4370-9931	240	2 pin Metripack truck	1401416
4079	SD7H15SPR HD	Direct TDM/SDM	GSA	Vertical	Pad	4 15/16" (125mm)	PV6	12V	Long Key Shaft	4376-9931	300	2 pin Metripack truck/ 15300002	1401435
4080	SD7H15SPR HD	Direct TDM/SDM	GQ	Vertical	Pad @ 90	4 15/16" (125mm)	PV6	12V	Long Key Shaft	4376-9931	300	2 pin Metripack truck	1401414
4081	SD7H15SPR HD	Direct ADM/LDM	GSA	Vertical	Pad	4 7/8" (124mm)	PV8	12V	Long Key Shaft	4368-9931	300	15300002	1401417
4082	SD7H15SPR HD	Direct ADM/LDM	GH	Horizontal	Pad	5 1/2" (140mm)	PV8	12V	Long Key Shaft	4802-9931	300	15300002	1401396
4082	SD7H15	SD7 Direct Short	-	Horizontal	O-Ring Compression	5 1/2" (140mm)	PV8	12V	Long Key Shaft	4802-9931	300	2 Wire Female Packard #15300002	1410099*
4083	SD7H15SPR HD	Direct	WH	Vertical	Pad (U) @ 45 internal 3/4 x 7/8	4 11/16" (119mm)	PV8	12V	Long Key Shaft	4417-9931, 4420-9931, 4705-9930	300	15300002	1401418
4083	SD7H15	SD7 Direct Long	-	Vertical	3/4 x 7/8 Internal Thread	4 11/16" (119mm)	PV8	12V	Long Key Shaft	4705-9930	300	2 Wire Female Packard #15300002	1410100*
4084	SD7H15SPR HD	Direct ADM/LDM	MDA	Horizontal	1 x 14	4 11/16" (119mm)	PV8	12V	Long Key Shaft	4368-9931	300	15300002	1401420
4084	SD7H15	SD7 Direct Long	-	Horizontal	1 x 14	4 11/16" (119mm)	PV8	12V	Long Key Shaft	4368-9931	300	2 Wire Female Packard #15300002	1410101*
4087	SD7H15	SD7 Direct Short	GSA	Vertical	O-Ring Compression	4 15/16" (125mm)	PV7	12V	Long Key Shaft	4379-9931	300	2 Wire Female Packard #15300002	1401424
4088	SD7H15SPR HD	Direct TDM/SDM	MDA	Horizontal	1 x 14	5" (127mm)	PV12	12V	Long Key Shaft	4370-9931	300	15300002	1401425
4088	SD7H15	SD7 Direct Short	-	Horizontal	1 x 14	4 15/16" (125mm)	PV12	12V	Long Key Shaft	4370-9931	300	2 Wire Female Packard #15300002	1410102*
4089	SD7H15SPR HD	Ear 8 Long	GQ	Vertical	Pad @ 90	4 15/16" (125mm)	A2	12V	Long Key Shaft	4383-9931	300	15300002	1401415
4090	SD7H15SPR HD	Direct ADM/LDM	KCA	Horizontal	3/4 x 7/8	4 11/16" (119mm)	PV8	12V	Long Key Shaft	4368-9931	300	2 pin Metripack truck/ 15300002	1401432
4091	SD7H15	Ear 8 Long	GSA	Vertical	O-Ring Compression	4 15/16" (125mm)	PV6	12V	Long Key Shaft	4376-9931	300	2 Wire Female Packard #15300002	1401447
4093	SD7H15	Ear 8 Long	JD	Vertical	3/4 x 7/8	4 15/16" (125mm)	A2	24V	Long Key Shaft	6511-6310	200	1 Wire Male Packard #12015791 w/ Diode	1401499
4096	SD7H15	SD7 Direct Short	KCA	Horizontal	3/4 x 7/8	4 15/16" (125mm)	PV7	12V	Long Key Shaft	4379-9931	300	2 Wire Female Packard #15300002	1401500
4099	SD7H15	SD7 Direct Short	480	Vertical	O-Ring Compression	6 5/16" (160mm)	PV8	12V	Long Key Shaft	4099-9931	300	2 Wire Female Packard #15300002	1401501
4108U	SD7H15	SD7 Direct Short	480	Vertical	O-Ring Compression	5 1/2" (140mm)	PV8	12V	Long Key Shaft	4802-9931	300	2 Wire Female Packard #15300002	1401438
4108U	SD7H15HD/SD7H15	Direct Short	480	Vertical	O-Ring Compression	5 1/2" (140mm)	PV8	12V	Long Key Shaft	4802-9931	300	15300002	1412010*
4108	SD7H15HD/SD7H15	Direct Short	480	Vertical	O-Ring Compression	5 1/2" (140mm)	PV8	12V	Long Key Shaft	4802-9931	300	15300002	1412010*
4117U	SD7H15SPR HD	Direct Short	WV	Horizontal	-	5 1/8" (130mm)	PV8	12V	Long Key Shaft	Not Serviced	300	15300002	1401444
4117	SD7H15SPR HD	Direct Short	WV	Horizontal	O-Ring	5 3/64" (128mm)/ 5 1/8" (130mm)	PV8	12V	Long Key Shaft	Not Serviced	300	15300002	1412011*
4120U	SD7H15SPR HD	SD7 Direct Short	WV	Horizontal	O-Ring	4 15/16" (125mm)	PV6	12V	Long Key Shaft	4376-9931	300	2 Wire Female Packard #15300002	1401443
4120U	SD7H15SPR HD	Direct Short	WV	Horizontal	O-Ring	4 59/64" (125mm)	PV8	12V	Long Key Shaft	4376-9931	300	15300002	1412013*
4120	SD7H15SPR HD	Direct Short	WV	Horizontal	O-Ring	4 59/64" (125mm)	PV8	12V	Long Key Shaft	4376-9931	300	15300002	1412013*
4121	SD7H15	SD7 Direct Long	KF	Horizontal	1 1/16 X 3/4	4 11/16" (119mm)	PV8	12V	Long Key Shaft	4545-9932	270	2 Wire Male Packard #12015792	1401520

* Aftermarket version compressor



R-134a Compressor Specifications

Sanden No.	Model Type	Mount Type	Cylinder Head			Clutch					Oil Amount (cc)	Connector	Part No
			Type	Port Angle	Size/Thread	Size	Groove	Voltage	Shaft Type	Assy No.			
4121U	SD7H15	SD7 Direct Long	KF	Horizontal	1 1/16 X 3/4	4 11/16" (119mm)	PV8	12V	Long Key Shaft	4545-9932	270	2 Wire Male Packard #12015792	1401520
4128	SD7H15HD	Direct Long	-	-	-	5 1/4" (133mm)	PV6	12V	Long Key Shaft	-	300	2 Wire Female Packard 1530002	1401509
4261	SD7H15	SD7 Direct GM	GT	Vertical	O-Ring Compression	4 7/16" (112mm)	PV6	12V	Involute Spline 13 X 24 X 0.5	Not Serviced	135	2 Wire SHINSUNG-PACKARD #830261	1401502
4269	SD7H15	Ear 8 Long	KG	Horizontal	3/4 x 7/8	5 3/16" (132mm)	A2	24V	Long Key Shaft	4435-9931	200	1 Wire male Packard	1401454
4271U1	SD7H15	Ear 8 Long	JD	Vertical	3/4 x 7/8	5 3/16" (132mm)	A2	24V	Long Key Shaft	4435-9931	200	1 Wire Male Packard #12015791 w/ Bullet Jumper	1401455
4272	SD7H15	Ear 8 Long	KG	Horizontal	3/4 x 7/8	5 3/16" (132mm)	A2	12V	Long Key Shaft	6504-6310	200	1 Wire Male Packard #12015791 w/ Diode	1401456
4277	SD7H15	SD7 Direct Long	4418	Vertical	O-Ring Compression	4 11/16" (119mm)	PV8	12V	Long Key Shaft	4705-9930	300	2 Wire Female Packard #15300002	1401494
4281U1	SD7H15	Ear 8 Long	JDA	Vertical	3/4 x 7/8	4 11/16" (119mm)	PV8	12V	Long Key Shaft	Not Serviced	175	1 Wire Man Special	1401503
4285	SD7H15SPR HD	Direct Short	WV	Horizontal	O-Ring	4 59/64" (125mm)	PV8	12V	Long Key Shaft	4376-9931	300	15300002	1412013*
4286	SD7H15SPR HD	Direct Short	WV	Horizontal	-	5 1/8" (130mm)	PV8	12V	Long Key Shaft	Not Serviced	300	15300002	1401444
4286	SD7H15SPR HD	Direct Short	WV	Horizontal	O-Ring	5 3/64" (128mm)/ 5 1/8" (130mm)	PV8	12V	Long Key Shaft	Not Serviced	300	15300002	1412011*
4301	SD7H15	SD7 Direct Long	GK	Horizontal	O-Ring	5 1/8" (130mm)	PV8	24V	Long Key Shaft	4726-9931	300	2 Wire Deutsch #DT04-2P-E (005, EP04, EP05)	1401457
4302	SD7H15	SD7 Direct Long	GK	Horizontal	O-Ring	6" (152mm)	PV8	24V	Long Key Shaft	4840-9932	300	2 Wire Deutsch #DT04-2P-E (005, EP04, EP05)	1401458
4303	SD7H15	SD7 Direct Long	WH	Vertical	3/4 x 7/8 Internal Thread	4 11/16" (119mm)	PV8	12V	Long Key Shaft	7731-9930	300	3 Wire Delphi #15300003	1401353
4303	SD7H15HD	Direct ADM/LDM	WH	Vertical	Pad (U) @ 45 internal 3/4 x 7/8	4 11/16" (119mm)	PV8	12V	Involute Spline 13 X 24 X 0.5	4767-9931, 4427-9931	300	3 Wire Delphi 15300003	1410059*
4304	SD7H15	SD7 Direct Long	WJ	Vertical	3/4 x 7/8 Internal Thread	4 15/16" (125mm)	PV6	12V	Long Key Shaft	6574-6410	300	2 Wire Ford F5TB-14A464-FA w/ Wedge	1401354
4304	SD7H15HD/SD7H15 Enhanced	Direct ADM/LDM	GH	Horizontal	Pad	4 15/16" (125mm)	PV6	12V	Long Key Shaft	4423-9931	300	2 Wire Ford F5TB14A464	1410082*
4305	SD7H15	Ear 8 Long	WJ	Vertical	3/4 x 7/8 Internal Thread	4 11/16" (119mm)	PV8	12V	Long Key Shaft	7731-9930	300	2 Wire Ford F5TB-14A464-FA w/ Wedge	1401355
4305	SD7H15HD	Ear 8 Long	WJ	Vertical	Pad Top/Pad	4 11/16" (119mm)	PV8	12V	Long Key Shaft	7731-9931, 4427-9931	300	2 Wire Ford F5TB14A464	1410056*
4306	SD7H15	SD7 Direct Long	KCA	Horizontal	3/4 x 7/8	5 3/16" (132mm)	A2	12V	Long Key Shaft	4428-9931	300	2 Wire Female Packard #15300002	1401356
4306	SD7H15HD	Direct ADM/LDM	KCA	Horizontal	3/4 x 7/8	5 3/16" (132mm)	A2	12V	Long Key Shaft	4428-9931	300	2 Wire Female Packard/ 15300002	1410001*
4307	SD7H15	SD7 Direct Long	WJ	Vertical	3/4 x 7/8 Internal Thread	4 11/16" (119mm)	PV8	12V	Long Key Shaft	4705-9930	300	2 Wire Female Packard #15300002	1401421
4307	SD7H15HD	Direct ADM/LDM	WJ	Vertical	Pad Top	4 11/16" (119mm)	PV8	12V	Long Key Shaft	4417-9931, 4420-9931	300	2 Wire Female Packard #15300002	1410074*
4308	SD7H15	Ear 8 Long	GV	Horizontal	3/4 x 7/8	6" (152mm)	A2	12V	Long Key Shaft	6776-6210	135	1 Wire Male Packard #12015791 w/ Diode	1401429
4308	SD7H15HD	Ear 8 Long	GV	Horizontal	3/4 x 7/8	6" (152mm)	A2	12V	Long Key Shaft	6776-6210	135	1 Wire Male Packard #12015791 w/ Diode	1410073*
4312	SD7H15SHD	Ear 8 Long	-	-	-	5 1/4" (133mm)	PV8	24V	Long Key Shaft	Not Serviced	220	1 Wire Female Packard 12010996	1401459

* Aftermarket version compressor

COMPRESSORS



Sanden Style Compressors

R-134a Compressor Specifications

Sanden No.	Model Type	Mount Type	Cylinder Head				Clutch				Oil Amount (cc)	Connector	Part No
			Type	Port Angle	Size/Thread	Size	Groove	Voltage	Shaft Type	Assy No.			
4314	SD7H15SPR HD	Direct TDM/SDM	480	Vertical	Pad @ 90	4 11/16" (119mm)	PV8	12V	Long Key Shaft	4368-9931	300	2 Wire male Packard	1401460
4318	SD7H15	Ear 8 Long	UK	Vertical	O-Ring	5 3/16" (132mm)	A2	12V	Long Key Shaft	6795-6110	155	2 Wire Female Packard #15300002 w/ Jumper #4315-0400	1401403
4318	SD7H15HD	Ear 8 Long	UK	Vertical	Pad @ Top	5 3/16" (132mm)	A2	12V	Key	6795-6110	-	2 Wire Female Packard w/ jumper	1410060*
4322	SD7H15	SD7 Direct Long	GSA	Vertical	O-Ring Compression	4 11/16" (119mm)	PV8	12V	Long Key Shaft	4705-9930	300	2 Wire Female Packard #15300002	1401445
4325	SD7H15	SD7 Direct Long	JD	Vertical	3/4 x 7/8	5 3/16" (132mm)	A2	24V	Long Key Shaft	Not Serviced	300	1 Wire Male Packard #12065171	1401504
4326	SD7H15	SD7 Direct Short	WV	Horizontal	O-Ring	7 1/16" 180mm)	PV8	12V	Long Key Shaft	Not Serviced	300	2 Wire Female Packard #15300002	1401437
4326	SD7H15SPR HD	Direct	WV	Horizontal	O-Ring	7 3/32" 180mm)	PV8	12V	Long Key Shaft	Not Serviced	300	15300002	1412009*
4327	SD7H15	SD7 Direct Long	GV	Horizontal	O-Ring	4 11/16" (119mm)	PV8	24V	Long Key Shaft	4866-9931	200	1 Wire Male Packard #12015791 w/ Diode & Bullet Jumper	1401505
4332	SD7H15HD	Direct TDM/SDM	SJA	Horizontal	Pad (QB)	5 1/8" (130mm)	PV7	12V	Involute Spline 13 X 24 X 0.5	4754-9930	240	12V177071	1401401
4332	SD7H15HD	Direct TDM/SDM	SJA	Horizontal	Pad (QB)	5 1/8" (130mm)	PV7	12V	SPLINED	4754-9930	240	2 Wire Female Packard #12177071	1410086*
4334	SD7H15	SD7 Direct Long	4400	Vertical	O-Ring Compression / Flat Washer	4 11/16" (119mm)	PV8	12V	Long Key Shaft	Not Serviced	300	2 Wire Female Packard #12177071	1401461
4347	SD7H15	SD7 Direct Long	4347	Vertical	O-Ring Compression	4 11/16" (119mm)	PV10	12V	Long Key Shaft	4347-9930	300	2 Wire Female Packard #15300002	1401422
4347	SD7H15 Enhanced	Direct ADM/LDM	4347	Vertical	Pad @ 45	4 11/16" (119mm)	PV10	12V	Long Key Shaft	4347-9930	300	2 pin Metripack truck	1412008*
4350	SD7H15HD	Ear 8 Long	SJA	Horizontal	Pad (QB)	4 11/16" (119mm)	PV7	12V	Long Key Shaft	4618-9931	240	2 Wire Female Packard #15300002	1401450
4350	SD7H15HD	Ear 8 Long	SJA	Horizontal	Pad (QB)	4 11/16" (119mm)	PV7	12V	Long Key Shaft	4618-9931	74	2 Wire Female Packard /15300002	1410036*
4362	SD7H15HD	SD7 Direct GM	GT	Vertical	O-Ring Compression	4 11/16" (119mm)	PV7	12V	Involute Spline 13 X 24 X 0.5	4796-9930	240	2 Wire Female Packard #12177071	1401440
4362	SD7H15	SD7 Direct GM	GT	Vertical	O-Ring Compression	4 11/16" (119mm)	PV7	12V	Involute Spline 13 X 24 X 0.5	6732-6010	240	2 Wire Female Packard #12177071	1401519
4362	SD7H15	SD7 Direct GM	GT	Vertical	-	4 11/16" (119mm)	PV7	12V	Involute Spline 13 X 24 X 0.5	-	155	2 Wire Female Packard #12177071	1410093*
4368	SD7H15SPR HD	Direct ADM/LDM	GQ	Vertical	Pad @ 90	4 11/16" (119mm)	PV8	12V	Long Key Shaft	4368-9931	300	15300002	1401413
4370	SD7H15SPR HD	Direct TDM/SDM	GQ	Vertical	Pad @ 90	5" (127mm)	PV12/ PV10	12V	Long Key Shaft	4370-9931	240	2 pin Metripack truck	1401416
4376	SD7H15SPR HD	Direct TDM/SDM	GSA	Vertical	Pad	4 15/16" (125mm)	PV6	12V	Long Key Shaft	4376-9931	300	2 pin Metripack truck/ 15300002	1401435
4377	SD7H15SPR HD	Direct TDM/SDM	GQ	Vertical	Pad @ 90	4 15/16" (125mm)	PV6	12V	Long Key Shaft	4376-9931	300	2 pin Metripack truck	1401414
4379	SD7H15SPR HD	Direct TDM/SDM	GSA	Vertical	Pad	5" (127mm)	PV7	12V	Long Key Shaft	4379-9931	300	2 pin Metripack truck	1410080*
4381	SD7H15SPR HD	Direct TDM/SDM	MDA	Horizontal	1 x 14	5" (127mm)	PV12	12V	Long Key Shaft	4370-9931	300	15300002	1401425
4382	SD7H15	SD7 Direct Long	GWA	Horizontal	O-Ring Compression	4 11/16" (119mm)	PV6	12V	-	-	300	2 Wire Female Packard #15300002	1401527
4383	SD7H15SPR HD	Ear 8 Long	GQ	Vertical	Pad @ 90	4 15/16" (125mm)	A2	12V	Long Key Shaft	4383-9931	300	15300002	1401415
4384	SD7H15	SD7 Direct Short	GQ	Vertical	O-Ring Compression	4 15/16" (125mm)	PV10	12V	Long Key Shaft	4369-9931	300	2 Wire Female Packard #15300002	1401446
4384	SD7H15	SD7 Direct Short	-	Vertical	O-Ring Compression	4 31/32" (127mm)	PV10	12V	Long Key Shaft	4369-9931	300	2 Wire Female Packard #15300002	1412014*

* Aftermarket version compressor



R-134a Compressor Specifications

Sanden No.	Model Type	Mount Type	Cylinder Head				Clutch				Oil Amount (cc)	Connector	Part No
			Type	Port Angle	Size/Thread	Size	Groove	Voltage	Shaft Type	Assy No.			
4384U	SD7H15	SD7 Direct Short	-	Vertical	O-Ring Compression	4 31/32" (127mm)	PV10	12V	Long Key Shaft	4369-9931	300	2 Wire Female Packard #15300002	1412014*
4391	SD7H15SPR HD	Direct ADM/LDM	KCA	Horizontal	3/4 x 7/8	4 11/16" (119mm)	PV8	12V	Long Key Shaft	4368-9931	300	2 pin Metripack truck/ 15300002	1401432
4392	SD7H15	Ear 8 Long	JDA	Vertical	3/4 x 7/8	4 15/16" (125mm)	A2	12V	Long Key Shaft	4383-9931	300	2 Wire Female Packard #15300002	1401423
4392	SD7H15SPR HD	EAR	JDA	Vertical	3/4 x 7/8	4 59/64" (125mm)	A2	12V	Long Key Shaft	4383-9931	300	2 pin Metripack truck	1412012*
4394	SD7H15	Ear 8 Long	MDA	Horizontal	1 x 14	4 11/16" (119mm)	PV8	12V	Long Key Shaft	Not Serviced	300	2 Wire Female Packard #15300002	1401507
4398	SD7H15SPR HD	Direct ADM/LDM	GSA	Vertical	Pad	4 7/8" (124mm)	PV8	12V	Long Key Shaft	4368-9931	300	15300002	1401417
4401	SD7H15	SD7 Direct Long	GV	Horizontal	O-Ring	4 15/16" (125mm)	A2	12V	Long Key Shaft	4419-9931	300	1 Wire Male Packard #12015791 w/ Diode	1401462
4402	SD7H15	SD7 Direct Ford	MD	Horizontal	1 x 14	5 7/16" (138mm)	A1	24V	Long Key Shaft	4402-9932	300	1 Wire Female Packard #12010996	1401463
4404	SD7H15	SD7 Direct Long	KG	Horizontal	3/4 x 7/8	4 11/16" (119mm)	PV8	12V	Long Key Shaft	4705-9930	300	2 Wire Female Packard #15300002	1401464
4405	SD7H15	SD7 Direct Long	JDA	Vertical	3/4 x 7/8	4 11/16" (119mm)	PV10	12V	Long Key Shaft	4405-9920	300	1 Wire Male Packard #12015791 w/ Diode	1401465
4408	SD7H15	Ear 8 Long	GSA	Vertical	O-Ring Compression	4 15/16" (125mm)	PV6	12V	Long Key Shaft	4376-9931	300	2 Wire Female Packard #15300002	1401447
4409	SD7H15	Ear 8 Long	JD	Vertical	3/4 x 7/8	6" (152.4mm)	A2	24V	0	6591-6210	300	1 Wire Female Packard #12010996	1401528
4417	SD7H15HD	Direct ADM/LDM	GH/ JDA	Horizontal / Vertical	Pad 3/4 x 7/8	4 11/16" (119mm)	PV8/A2	12V	Long Key Shaft	4417-9931, 4420-9931, 4705-9930, 4885-9931	300	2 pin Metripack truck/ 15300002	1410007*
4418	SD7H15	SD7 Direct Long	4418	Vertical	O-Ring Compression	4 11/16" (119mm)	PV8	12V	Long Key Shaft	4705-9930	300	2 Wire Female Packard #15300002	1401389
4418	SD7H15HD	SD7 Direct Long	441	Vertical	O-Ring Compression	4 11/16" (119mm)	PV8	12V	Long Key Shaft	4417-9931	300	2 Wire Female Packard #15300002	1410088*
4419	SD7H15	SD7 Direct Long	GV	Horizontal	O-Ring	4 15/16" (125mm)	A2	12V	Long Key Shaft	4419-9931	200	1 Wire Male Packard #12015791 w/ Diode	1401200
4419	SD7H15	SD7 Direct Long	GV	Horizontal	O-Ring	4 59/64" (125mm)	A2	12V	Long Key Shaft	4419-9931	200	1 Wire Male Packard #12015791 w/ Diode	1412002*
4420	SD7H15	SD7 Direct Long	GV	Horizontal	O-Ring	4 11/16" (119mm)	PV8	12V	Long Key Shaft	4672-9931	200	1 Wire Male Packard #12015791 w/ Diode	1401201
4420	SD7H15HD	Direct ADM/LDM	GV	Horizontal	GM Pad Metric	4 11/16" (119mm)	PV8	12V	Long Key Shaft	4420-9931	200	1 Wire Male Packard #12015791 w/ Diode	1401448
4420	SD7H15HD	Direct ADM/LDM	GV	Horizontal	GM Pad Metric	4 11/16" (119mm)	PV8	12V	Long Key Shaft	4420-9931	200	1 Wire male Packard	1410031*
4421	SD7H15HD	Direct ADM/LDM	MDA	Horizontal	1 x 14	4 11/16" (119mm)	PV8	12V	Involute Spline 13 X 24 X 0.5	4816-9931, 4885-9931, 4417-9931, 4420-9931, 4705-9930	300	2 Wire Female Packard/ 15300002	1410023*
4422	SD7H15HD	Direct ADM/LDM	WH	Vertical	Pad (U) @ 45 internal 3/4 x 7/8	4 11/16" (119mm)	PV8	12V	Involute Spline 13 X 24 X 0.5	4767-9931, 4427-9931	300	3 Wire Delphi 15300003	1410059*
4423	SD7H15HD/ SD7H15 Enhanced	Direct ADM/LDM	GH	Horizontal	Pad	4 15/16" (125mm)	PV6	12V	Long Key Shaft	4423-9931	300	2 Wire Ford F5TB14A464	1410082*
4424	SD7H15HD	Direct ADM/LDM	GSA/ GH	Vertical/ Horizontal	Pad	4 15/16" (125mm)	PV6	12V	Involute Spline 13 X 24 X 0.5	4756-9931, 4424-9931	300	2 pin Metripack truck/ 15300002	1410002*

* Aftermarket version compressor

COMPRESSORS



Sanden Style Compressors

R-134a Compressor Specifications

Sanden No.	Model Type	Mount Type	Cylinder Head			Clutch					Oil Amount (cc)	Connector	Part No
			Type	Port Angle	Size/Thread	Size	Groove	Voltage	Shaft Type	Assy No.			
4425	SD7H15HD	Direct ADM/LDM	GQ	Vertical	Pad @ 90	4 15/16" (125mm)	PV6	12V	Involute Spline 13 X 24 X 0.5	4756-9931, 4424-9931	300	2 Wire Female Packard/ 15300002	1410003*
4426	SD7H15	Ear 8 Long	GQ	Vertical	O-Ring Compression	4 15/16" (125mm)	A2	12V	Long Key Shaft	Not Serviced	300	2 Wire Female Packard #15300002	1401406
4426	SD7H15HD	Ear 8 Long	GQ	Vertical	Pad @ 90	4 15/16" (125mm)	A2	12V	Long Key Shaft	4695-9931, RB 4426-9931	300	Packard long/ Solder/Diode 1530002 200mm	1410019*
4427	SD7H15HD	Ear 8 Long	WJ	Vertical	Pad Top/Pad	4 11/16" (119mm)	PV8	12V	Long Key Shaft	7731-9931, 4427-9931	300	Packard long/ F5TB14A464	1410056*
4428	SD7H15HD	Direct ADM/LDM	KCA	Horizontal	3/4 x 7/8	5 3/16" (132mm)	A2	12V	Long Key Shaft	4428-9931	300	2 Wire Female Packard/ 15300002	1410001*
4429	SD7H15HD	EAR	GH	Horizontal	Pad	5 13/64" (132mm)	A2	12V	Long Key Shaft	4752-9931, 4428-9931	300	15300002	1412004*
4430	SD7H15HD	Direct ADM/LDM	GH	Horizontal	Pad	4 15/16" (125mm)	PV6	12V	Long Key Shaft	4430-9931, 4424-9931, 4819-9931	300	2 Wire Female Packard/ 15300002	1410026*
4431	SD7H15HD	Ear 8 Long	MDA	Horizontal	1 x 14	4 11/16" (119mm)	PV8	12V	Long Key Shaft	4417-9931, 4420-9931, 4705-9930	300	2 pin Metripack truck/ 15300002	1410006*
4432	SD7H15HD	Direct ADM/LDM	GQ	Vertical	Pad @ 90	4 11/16" (119mm)	PV8	12V	Involute Spline 13 X 24 X 0.5	4776-9931, 4417-9931	300	15300002/3 pin Metripack truck/4 pin Metripack truck	1410022*
4433	SD7H15HD	Ear 8 Long	JDA	Vertical	3/4 x 7/8	4 15/16" (125mm)	A2	12V	Involute Spline 13 X 24 X 0.5	4740-9931	300	2 pin Metripack truck	1410004*
4434	SD7H15	Ear 8 Long	GV	Horizontal	O-Ring	5 3/16" (132mm)	A2	12V	Long Key Shaft	6504-6310	200	1 Wire Male Packard #12015791 w/ Diode	1401225
4434	SD7H15HD	EAR	GV	Horizontal	GM Pad Metric	5 13/64" (132mm)	A2	12V	Long Key Shaft	4434-9931	200	1 Wire male Packard	1410032*
4435	SD7H15	Ear 8 Long	GV	Horizontal	O-Ring	5 3/16" (132mm)	A2	24V	Long Key Shaft	4435-9931	200	1 Wire Male Packard #12015791 w/ Diode & Bullet Jumper	1401226
4435	SD7H15HD	EAR	GV	Horizontal	GM Pad Metric	5 13/64" (132mm)	A2	24V	Long Key Shaft	4435-9931	200	1 Wire male Packard	1410033*
4440	SD7H15	SD7 Direct GM	GT	Vertical	O-Ring Compression	5 1/8" (130mm)	PV6	12V	Involute Spline 13 X 24 X 0.5	6789-6010	135	2 Wire SHINSUNG-PACKARD #830261	1401466
4455	SD7H13	Ear 8 Mid	JE	Vertical	3/4 x 7/8	4 11/16" (119mm)	PV6	12V	Long Key Shaft	6564-6110	135	1 Wire Male Bullet	1401495
4467	SD7H15HD	Ear 8 Long	UK	Vertical	Pad (U)	5 1/16" (128mm)	PV6	12V	Long Key Shaft	6746-6010	390	15300002	1401402
4467	SD7H15	Ear 8 Long	UK	Vertical	-	5 1/16" (128mm)	PV6	12V	Long Key Shaft	-	155	2 Wire Female Packard #15300002	1410097*
4468	SD7H15SHD	Ear 8 Long	GK	Horizontal	Pad @ H	5 7/16" (138mm)	A1	24V	Long Key Shaft	4604-9931, 6590-6010	300	2 Wire Deutsch DT04-2P-E	1401467
4468	SD7H15SHD	Ear 8 Long	GK	Horizontal	Pad @ H	5 7/16" (138mm)	A1	24V	Long Key Shaft	4604-9931, 6590-6010	300	2 Wire Deutsch DT04-2P-E	1410061*
4469	SD7H15	Ear 8 Long	WJ	Vertical	3/4 x 7/8 Internal Thread	5 3/16" (132mm)	A2	12V	Long Key Shaft	6504-6010	300	2 Wire Ford F5TB-14A464-FA w/ Wedge	1401106
4469	SD7H15HD	Ear 8 Long	WJ	Vertical	Pad Top	5 3/16" (132mm)	A2	12V	Long Key Shaft	6504-6010	300	2 Wire Ford F5TB14A464	1410057*
4471	SD7H15HD	Ear 8 Long	MDA	Horizontal	1 x 14	5 3/16" (132mm)	A2	12V	Long Key Shaft	4752-9931, 6504-6010	240	2 Wire Female Packard #15300002	1401121
4471	SD7H15HD	Ear 8 Long	MDA	Horizontal	1 x 14	5 3/16" (132mm)	A2	12V	Long Key Shaft	4752-9931, 6504-6010	240	2 Wire Female Packard /15300002	1410005*
4472	SD7H15	Ear 8 Long	GH	Horizontal	O-Ring Compression	5 3/16" (132mm)	A2	12V	Long Key Shaft	4428-9931	300	2 Wire Female Packard #15300002	1401359
4472	SD7H15HD	EAR	GH	Horizontal	Pad	5 13/64" (132mm)	A2	12V	Long Key Shaft	4752-9931, 4428-9931	300	15300002	1412004*
4473	SD7H15	SD7 Direct Long	GH	Horizontal	O-Ring Compression	4 15/16" (125mm)	PV6	12V	Long Key Shaft	4883-9931	300	2 Wire Female Packard #15300002	1401360
4473	SD7H15HD	Direct ADM/LDM	GH	Horizontal	Pad	4 15/16" (125mm)	PV6	12V	Long Key Shaft	4430-9931, 4424-9931, 4819-9931	300	2 Wire Female Packard/ 15300002	1410026*

* Aftermarket version compressor



R-134a Compressor Specifications

Sanden No.	Model Type	Mount Type	Cylinder Head			Clutch					Oil Amount (cc)	Connector	Part No
			Type	Port Angle	Size/Thread	Size	Groove	Voltage	Shaft Type	Assy No.			
4474	SD7H15	SD7 Direct Long	WH	Vertical	3/4 x 7/8 Internal Thread	4 11/16" (119mm)	PV8	12V	Long Key Shaft	7731-9930	300	2 Wire Ford F5TB-14A464-FA w/ Wedge	1401361
4474	SD7H15HD	Direct ADM/LDM	WH	Vertical	Pad (U) @ 45 internal 3/4 x 7/8	4 11/16" (119mm)	PV8	12V	Long Key Shaft	4427-9931, 7731-9930	300	2 Wire Ford F5TB14A464	1410058*
4475	SD7H15	SD7 Direct Long	CBA	Vertical	1 x 14	4 15/16" (125mm)	PV6	12V	Involute Spline 13 X 24 X 0.5	4756-9931	300	2 Wire Female Packard #15300002	1401126
4477	SD7H15	Ear 8 Long	MDA	Horizontal	1 x 14	4 11/16" (119mm)	PV8	12V	Long Key Shaft	4705-9930	300	2 Wire Female Packard #15300002	1401120
4477	SD7H15HD	Ear 8 Long	MDA	Horizontal	1 x 14	4 11/16" (119mm)	PV8	12V	Long Key Shaft	4417-9931, 4420-9931, 4705-9930	300	2 pin Metripack truck/ 15300002	1410006*
4478	SD7H15	Ear 8 Long	MD	Horizontal	1 x 14	6" (152mm)	A2	12V	Long Key Shaft	6591-6010	285	1 Wire Female Packard #12010996	1401468
4479	SD7H15	Ear 8 Long	GK	Horizontal	O-Ring	6" (152mm)	A1	24V	Long Key Shaft	4640-9932	300	2 Wire Deutsch #DT04-2P-E (005, EP04, EP05)	1401469
4482	SD7H15	SD7 Direct Long	MDA	Horizontal	1 x 14	4 11/16" (119mm)	PV8	12V	Long Key Shaft	4705-9930	300	2 Wire Female Packard #15300002	1401399
4482	SD7H15HD	Direct ADM/LDM	MDA	Horizontal	1 x 14	4 11/16" (119mm)	PV8	12V	Involute Spline 13 X 24 X 0.5	4816-9931, 4885-9931, 4417-9931, 4420-9931, 4705-9930	300	2 Wire Female Packard/ 15300002	1410023*
4484	SD7H15	Ear 8 Long	JDA	Vertical	3/4 x 7/8	4 15/16" (125mm)	A2	12V	Involute Spline 13 X 24 X 0.5	7803-9931	300	2 Wire Female Packard #15300002	1401342
4484	SD7H15HD	Ear 8 Long	JDA	Vertical	3/4 x 7/8	4 15/16" (125mm)	A2	12V	Involute Spline 13 X 24 X 0.5	4740-9931	300	2 pin Metripack truck	1410004*
4485	SD7H15	SD7 Direct Long	GH	Horizontal	O-Ring Compression	4 11/16" (119mm)	PV8	12V	Long Key Shaft	4705-9930	300	2 Wire Female Packard #15300002	1401346
4485	SD7H15HD	Direct ADM/LDM	GH/ JDA	Horizontal / Vertical	Pad 3/4 x 7/8	4 11/16" (119mm)	PV8/A2	12V	Long Key Shaft	4417-9931, 4420-9931, 4705-9930, 4885-9931	300	2 pin Metripack truck/ 15300002	1410007*
4486	SD7H15HD	Direct ADM/LDM	WH	Vertical	Pad (U) @ 45 internal 3/4 x 7/8	4 11/16" (119mm)	PV8	12V	Involute Spline 13 X 24 X 0.5	4767-9931, 4427-9931	300	3 Wire Delphi 15300003	1410059*
4487	SD7H15	Ear 8 Long	GK	Horizontal	O-Ring	5 1/8" (130mm)	PV8	24V	Long Key Shaft	4726-9931	300	2 Wire Deutsch #DT04-2P-E (005, EP04, EP05)	1401508
4488	SD7H15	Ear 8 Long	JDA	Vertical	3/4 x 7/8	5 3/16" (132mm)	A2	12V	Long Key Shaft	4752-9931	300	2 Wire Female Packard #15300002	1401122
4488	SD7H15HD	Ear 8 Long	JDA/ JD	Vertical	3/4 x 7/8	5 3/16" (132mm)	A2	12V	Long Key Shaft	4752-9931, 4694-9931	300	2 Wire Female Packard /15300002	1410008*
4489	SD7H15	Ear 8 Long	MD	Horizontal	1 x 14	6" (152mm)	A2	24V	Long Key Shaft	6591-6210	285	1 Wire Female Packard #12010996	1401470
4490	SD7H15	Ear 8 Long	WV	Horizontal	O-Ring	5 1/8" (130mm)	PV8	12V	Long Key Shaft	6557-6310	300	2 Wire Female Packard #15300002	1401400
4490	SD7H15HD	Ear 8 Long	WV	Horizontal	2 Pad @ 45 Offset	5 1/8" (130mm)	PV8	12V	Long Key Shaft	4700-9931	300	2 Wire Female Packard 15300002	1410009*
4491	SD7H15	SD7 Direct Long	JD	Vertical	3/4 x 7/8	5 3/16" (132mm)	A2	12V	Long Key Shaft	4752-9931	300	2 Wire Female Packard #15300002	1401125
4491	SD7H15HD	Direct ADM/LDM	JDA/ JD	Vertical	3/4 x 7/8	4 15/16" (125mm)	A2	12V	Long Key Shaft	6593-6010, RB 4426-9931, 4752-9931	300	Packard Long/ Solder/Diode 15300002	1410018*
4492	SD7H15HD	Direct ADM/LDM	MDA	Horizontal	1 x 14	4 15/16" (125mm)	PV6	12V	Involute Spline 13 X 24 X 0.5	4756-9931	300	15300002	1401127
4492	SD7H15	Direct ADM/LDM	MDA	Horizontal	1 x 14	4 15/16" (125mm)	PV6	12V	-	-	155	2 Wire Female Packard	1410092*
4493	SD7H15	SD7 Direct Short	WV	Horizontal	O-Ring	5 1/8" (130mm)	PV8	12V	Long Key Shaft	6786-6110	300	2 Wire Female Packard #15300002	1401362

* Aftermarket version compressor

COMPRESSORS



Sanden Style Compressors

R-134a Compressor Specifications

Sanden No.	Model Type	Mount Type	Cylinder Head			Clutch					Oil Amount (cc)	Connector	Part No
			Type	Port Angle	Size/Thread	Size	Groove	Voltage	Shaft Type	Assy No.			
4493	SD7H15HD	Direct ADM/LDM, TDM/SDM	WV	Horizontal	2 Pad @ 45 Offset	5 1/8" (130mm)	PV8	12V	Involute Spline 13 X 24 X 0.5	4733-9931, 4895-9931, 6786-6110	300	2 Wire Female Packard/ 15300002	1410010*
4494	SD7H15	SD7 Direct Long	WV	Horizontal	O-Ring	4 15/16" (125mm)	PV6	12V	Long Key Shaft	4891-9931	300	2 Wire Female Packard #15300002	1401427
4494	SD7H15HD/SD7H15SPR HD	SD7 Direct Long	WV	Horizontal	2 Pad @ 45 Offset	4 15/16" (125mm)	PV6	12V	Involute Spline 13 X 24 X 0.5	4757-9931, 4891-9931	300	2 Wire Female Packard/ 15300002	1410011*
4495	SD7H15HD	EAR	GV	Vertical	GM Pad Metric	4 11/16" (119mm)	PV8	12V	Long Key Shaft	4420-9931	300	1 Wire male Packard	1401357
4495	SD7H15	Ear 8 Long	GV	Horizontal	3/4 x 7/8	4 11/16" (119mm)	PV8	12V	0	0	0	1 Wire male Bullet	1410095*
4496	SD7H15	Ear 8 Long	GV	Vertical	3/4 x 7/8 Internal Thread	4 11/16" (119mm)	PV8	12V	Long Key Shaft	7731-9930	300	2 Wire Ford F5TB-14A464-FA w/ Wedge	1401364
4497	SD7H15HD	EAR	SJ	Horizontal	Pad (QB)	5 3/16" (132mm)	A2	12V	Involute Spline 13 X 24 X 0.5	4704-9931	300	2 Wire Ford E7EB14A464	1401365
4497	SD7H15HD	Ear 8 Long	SJ	Horizontal	Pad (QB)	5 3/16" (132mm)	A2	12V	Involute Spline 13 X 24 X 0.5	4704-9931	300	2 Wire Ford E7EB14A464	1410012*
4498	SD7H15	SD7 Direct Long	KCA	Horizontal	3/4 x 7/8	5 1/4" (133mm)	PV8	12V	0	4767-9932	300	2 Wire Deutsch #DT04-2P-E (005, EP04, EP05)	1401526
4499	SD7H15	SD7 Direct Long	MD	Horizontal	1 x 14	6" (152mm)	PV8	12V	Long Key Shaft	4768-9933	285	1 Wire Female Packard #12010996	1401471
4506	SD5H14HD	Ear 8 Long	FL	Vertical	3/4 x 7/8	5 3/16" (132mm)	A2	24V	Long Key Shaft	6514-6210	210	1 Wire male Bullet	1401485
4506	SD5H14HD	Ear 8 Long	FL	Vertical	3/4 x 7/8	5 3/16" (132mm)	A2	24V	Long Key Shaft	6514-6210	240	1 Wire male Bullet	1410062*
4507	SD5H14HD	Ear 8 Long	FL	Vertical	3/4 x 7/8	5 3/16" (132mm)	A2	24V	Long Key Shaft	6514-6210	210	1 Wire male Bullet	1401485
4507	SD5H14HD	Ear 8 Long	FL	Vertical	3/4 x 7/8	5 3/16" (132mm)	A2	24V	Long Key Shaft	6514-6210	240	1 Wire male Bullet	1410062*
4508	SD5H14HD	Ear 8 Long	FL	Vertical	3/4 x 7/8	4 15/16" (125mm)	PV10	12V	Long Key Shaft	6518-6210	210/175	1 Wire male Bullet	1410063*
4509	SD5H14HD	Ear 8 Long	FL	Vertical	3/4 x 7/8	5 3/16" (132mm)	A2	12V	Long Key Shaft	6514-6010, 6519-6010, 6514-6210	210	1 Wire male Bullet	1401484
4509	SD5H14HD	Ear 8 Long	FL	Vertical	3/4 x 7/8	5 3/16" (132mm)	A2	12V	Long Key Shaft	6514-6010, 6519-6010, 6514-6210	210	1 Wire male Bullet	1410064*
4510	SD5H14HD	Ear 8 Long	FL	Vertical	3/4 x 7/8	5 3/16" (132mm)	A2	12V	Long Key Shaft	6514-6010, 6519-6010, 6514-6210	210	1 Wire male Bullet	1401484
4510	SD5H14HD	Ear 8 Long	FL	Vertical	3/4 x 7/8	5 3/16" (132mm)	A2	12V	Long Key Shaft	6514-6010, 6519-6010, 6514-6210	210	1 Wire male Bullet	1410064*
4511	SD5H14HD	EAR	C	Vertical	1 x 14	6 1/4" (158mm)	C1	12V	Long Key Shaft	Not Serviced	240	1 Wire male Bullet	1401101
4511	SD5H14HD	Ear 8 Long	C	Vertical	1 x 14	6 1/4" (158mm)	C1	12V	Long Key Shaft	Not Serviced	240	1 Wire male Bullet	1401104
4513	SD5H14HD	Ear 8 Long	M	Horizontal	1 x 14	5 3/16" (132mm)	A2	12V	Long Key Shaft	6514-6210, 6519-6010	175	1 Wire male Bullet	1401348
4516	SD5H14	Ear 8 Long	JD	Vertical	3/4 x 7/8	6 1/4" (158mm)	C1	24V	SD5 Keyed Shaft	9313-6210	210	1 Wire Male Bullet	1401140
4516	SD5H14HD	Ear 8 Long	FL	Vertical	3/4 x 7/8	6 1/4" (158mm)	C1	24V	Long Key Shaft	6521-6210	210	1 Wire male Bullet	1410065*
4530	SD5H14HD	Ear 8 Long	FL	Vertical	3/4 x 7/8	4 13/16" (123mm)	A1	12V	Long Key Shaft	Not Serviced	210	1 Wire male Bullet	1401332
4536	SD5H14HD	Ear 8 Long	K	Horizontal	3/4 x 7/8	5 3/16" (132mm)	A2	12V	Long Key Shaft	6514-6010, 6514-6210, 6519-6010	210	1 Wire male Bullet	1410066*
4537	SD5H14HD	Ear 8 Long	K	Horizontal	3/4 x 7/8	5 3/16" (132mm)	A2	24V	Long Key Shaft	6514-6210	175	1 Wire male Bullet	1401136
4542	SD7H15HD	Ear 8 Long	SJA	Horizontal	Pad (QB)	4 11/16" (119mm)	PV7	12V	Long Key Shaft	4618-9931	240	2 Wire Female Packard #15300002	1401450
4542	SD7H15HD	Ear 8 Long	SJA	Horizontal	Pad (QB)	4 11/16" (119mm)	PV7	12V	Long Key Shaft	4618-9931	74	2 Wire Female Packard /15300002	1410036*
4543	SD7H15SPR HD	Direct ADM/LDM	GH	Horizontal	Pad	5 1/2" (140mm)	PV8	12V	Long Key Shaft	4802-9931	300	15300002	1401396

* Aftermarket version compressor



R-134a Compressor Specifications

Sanden No.	Model Type	Mount Type	Cylinder Head			Clutch					Oil Amount (cc)	Connector	Part No
			Type	Port Angle	Size/Thread	Size	Groove	Voltage	Shaft Type	Assy No.			
4544	SD7H15	SD7 Direct Long	GWA	Horizontal	O-Ring Compression	4 11/16" (119mm)	PV8	12V	Long Key Shaft	4705-9930	300	2 Wire Female Packard #15300002	1401407
4546	SD7H15	SD7 Direct Long	GWA	Horizontal	O-Ring Compression	4 15/16" (125mm)	PV6	12V	Long Key Shaft	4883-9931	300	2 Wire Female Packard #15300002	1401426
4546	SD7H15HD	Direct ADM/LDM	GWA/GH	Horizontal	Offset Pad 90/Pad	4 15/16" (125mm)	PV6	12V	Involute Spline 13 X 24 X 0.5	4883-9931, 4756-9931	300	2 Wire Female Packard/15300002	1410025*
4548	SD7H15SPR HD	Direct	WH	Vertical	Pad (U) @ 45 internal 3/4 x 7/8	4 11/16" (119mm)	PV8	12V	Long Key Shaft	4417-9931, 4420-9931, 4705-9930	300	15300002	1401418
4549	SD7H15SPR HD	Direct	GH	Horizontal	Pad	4 15/16" (125mm)	PV6	12V	Long Key Shaft	4376-9931	300	15300002	1401410
4597	SD7H15	Ear 8 Long	JD	Horizontal	O-Ring	5 7/16" (138mm)	A1	12V	Long Key Shaft	6506-6110	135	2 Wire Deutsch #DT04-2P-E (005, EP04, EP05)	1401510
4600	SD7H15SHD	Ear 8 Long	JD	Vertical	3/4 x 7/8	4 15/16" (125mm)	PV6	12V	Long Key Shaft	4600-9931	270	2 Wire AMP 180908	1401366
4600	SD7H15SHD	Ear 8 Long	JD	Vertical	3/4 x 7/8	4 15/16" (125mm)	PV6	12V	Long Key Shaft	4600-9931	270	2 Wire AMP 180908	1410034*
4602	SD7H15HD	Direct ADM/LDM	WH	Vertical	Pad (U) @ 45 internal 3/4 x 7/8	6 11/16" (169mm)	A1	12V	Long Key Shaft	7739-9931, 7739-9935	300	2 Wire Ford F5TB14A464	1410067*
4603	SD7H15HD	Ear 8 Long	WJ	Vertical	Pad Top	5 3/16" (132mm)	A2	12V	Long Key Shaft	6504-6010	300	2 Wire Ford F5TB14A464	1410057*
4604	SD7H15SHD	Ear 8 Long	GK	Horizontal	Pad @ H	5 7/16" (138mm)	A1	24V	Long Key Shaft	4604-9931, 6590-6010	300	2 Wire Deutsch DT04-2P-E	1401467
4604	SD7H15SHD	Ear 8 Long	GK	Horizontal	Pad @ H	5 7/16" (138mm)	A1	24V	Long Key Shaft	4604-9931, 6590-6010	300	2 Wire Deutsch DT04-2P-E	1410061*
4616	SD7H15	Ear 8 Long	GV	Horizontal	O-Ring	4 15/16" (125mm)	A2	12V	Long Key Shaft	4419-9931	300	1 Wire Male Packard #12015791 w/ Diode	1401472
4617	SD7H15SHD	EAR	MD	Horizontal	1 x 14	5 3/16" (132mm)	A2	12V	Long Key Shaft	4617-9931	300	1 Wire male Bullet	1401367
4617	SD7H15SHD	Ear 8 Long	MD	Horizontal	1 x 14	5 3/16" (132mm)	A2	12V	Long Key Shaft	4617-9931	300	1 Wire male Bullet	1410035*
4618	SD7H15	Ear 8 Long	SJA	Horizontal	O-Ring	4 11/16" (119mm)	PV7	12V	Long Key Shaft	4618-9931	240	2 Wire Female Packard #15300002	1401347
4618	SD7H15HD	Ear 8 Long	SJA	Horizontal	Pad (QB)	4 11/16" (119mm)	PV7	12V	Long Key Shaft	4618-9931	240	2 Wire Female Packard #15300002	1401450
4618	SD7H15HD	Ear 8 Long	SJA	Horizontal	Pad (QB)	4 11/16" (119mm)	PV7	12V	Long Key Shaft	4618-9931	74	2 Wire Female Packard /15300002	1410036*
4626	SD7H15	SD7 Direct Long	JD	Vertical	3/4 x 7/8	5 3/16" (132mm)	A2	12V	Long Key Shaft	6511-6010	300	1 Wire Male Packard #12065171	1401107
4626	SD7H15HD	Direct ADM/LDM	JD	Vertical	3/4 x 7/8	5 3/16" (132mm)	A2	12V	Long Key Shaft	4780-9931, 4694-9931	300	1 Wire male Packard/15300002	1410013*
4627	SD7H15	Ear 8 Long	JD	Vertical	3/4 x 7/8	4 15/16" (125mm)	A2	12V	Long Key Shaft	6510-6110	300	1 Wire Male Packard #12065171	1401108
4627	SD7H15HD	Ear 8 Long	JD	Vertical	3/4 x 7/8	4 15/16" (125mm)	A2	12V	Long Key Shaft	4627-9931	300	1 Wire male Packard	1410014*
4628	SD7H15HD	Direct HDM/FDM	JD	Vertical	3/4 x 7/8	4 11/16" (119mm)	PV6	12V	Long Key Shaft	6516-6010	240	1 Wire male Bullet	1410068*
4637	SD7H15SHD	Ear 8 Long	KC	Horizontal	3/4 x 7/8	5 3/16" (132mm)	PV8	12V	Long Key Shaft	4637-9933	270	2 Wire male Packard	1401109
4637	SD7H15SHD	Ear 8 Long	KC	Horizontal	3/4 x 7/8	5 3/16" (132mm)	PV8	12V	Long Key Shaft	4637-9933	270	2 Wire male Packard	1410037*
4639	SD7H15HD	Ear 8 Long	JD/JDA/ JE	Vertical	3/4 x 7/8	5 3/16" (132mm)	A2	12V	Long Key Shaft	4639-9931, 4647-9931	300	1 Wire male Bullet/1 Wire male Packard	1410016*
4641	SD7H15	SD7 Direct Long	MD	Horizontal	1 x 14	4 11/16" (119mm)	PV6	12V	Long Key Shaft	6524-6010	240	1 Wire Male Bullet	1401473
4643	SD7H15	Ear 8 Long	CBA	Vertical	1 x 14	5 3/16" (132mm)	A2	12V	Long Key Shaft	6504-6210	240	1 Wire Male Bullet	1401330
4643	SD7H15HD	Ear 8 Long	CB	Vertical	1 x 14	5 3/16" (132mm)	A2	12V	Long Key Shaft	4643-9930	240	1 Wire male Bullet	1410038*
4644	SD7H15HD	Ear 8 Long	JD/JDA/ JE	Vertical	3/4 x 7/8	5 3/16" (132mm)	A2	12V	Long Key Shaft	4639-9931, 4647-9931	300	1 Wire male Bullet/1 Wire male Packard	1410016*

* Aftermarket version compressor



Sanden Style Compressors

R-134a Compressor Specifications

Sanden No.	Model Type	Mount Type	Cylinder Head			Clutch				Oil Amount (cc)	Connector	Part No	
			Type	Port Angle	Size/Thread	Size	Groove	Voltage	Shaft Type				Assy No.
4645	SD7H15	Ear 8 Long	JDA	Vertical	3/4 x 7/8	4 11/16" (119mm)	PV7	12V	Long Key Shaft	6512-6310	300	1 Wire Male Packard #12015791 w/ Diode	1401110
4646	SD7H15	Ear 8 Long	MDA	Horizontal	1 x 14	5 3/16" (132mm)	A2	12V	Long Key Shaft	6504-6310	240	1 Wire Male Packard #12015791 w/ Diode	1401111
4646	SD7H15HD	Ear 8 Long	MDA	Horizontal	1 x 14	5 3/16" (132mm)	A2	12V	Long Key Shaft	4647-9931	240	1 Wire male Packard	1410015*
4647	SD7H15HD	Ear 8 Long	JD/ JDA/ JE	Vertical	3/4 x 7/8	5 3/16" (132mm)	A2	12V	Long Key Shaft	4639-9931, 4647-9931	300	1 Wire male Bullet/1 Wire male Packard	1410016*
4652	SD7H15	Ear 8 Long	JD	Vertical	3/4 x 7/8	4 15/16" (125mm)	A2	24V	Long Key Shaft	6511-6310	270	1 Wire Male Packard #12015791 wth Diode	1401113
4652	SD7H15HD	Ear 8 Long	JD	Vertical	3/4 x 7/8	4 15/16" (125mm)	A2	24V	Long Key Shaft	4652-9931	270	1 Wire male Packard	1410039*
4653	SD7H15	Ear 8 Long	CBA	Vertical	1 x 14	4 11/16" (119mm)	PV6	12V	Long Key Shaft	6516-6210	175	2 Wire Ford E7EB-14A464-DA w/ Wedge	1401433
4653	SD7H15HD	Ear 8 Long	CB	Vertical	1 x 14	4 11/16" (119mm)	PV6	12V	Long Key Shaft	4653-9930	175	2 Wire Ford E7EB14A464	1410069*
4659	SD7H15/ SD7H15HD	Ear 8 Long	KC	Horizontal	3/4 x 7/8	5 1/8" (130mm)	PV8	12V	Involute Spline 13 X 24 X 0.5	4659-9931, 4781-9931	270	1 Wire male Packard	1410083*
4660	SD7H15	Ear 8 Long	JD	Vertical	3/4 x 7/8	4 1/4" (108mm)	PV8	12V	Long Key Shaft	4672-9931	270	1 Wire Male Packard #12015791 w/ Diode	1401114
4660	SD7H15HD	Ear 8 Long	JDA	Vertical	3/4 x 7/8	4 11/16" (119mm)	PV8	12V	Long Key Shaft	4672-9931	270	1 Wire male Packard	1410017*
4663	SD7H15	Ear 8 Long	JD	Vertical	3/4 x 7/8	4 15/16" (125mm)	A2	12V	Long Key Shaft	6560-6010	135	1 Wire Male Bullet	1401331
4663	SD7H15HD	Ear 8 Long	JD	Vertical	3/4 x 7/8	4 15/16" (125mm)	A2	12V	Long Key Shaft	6560-6010	135	1 Wire male Bullet	1410040*
4664	SD7H15	Ear 8 Long	JD	Vertical	3/4 x 7/8	5 3/16" (132mm)	A2	12V	Long Key Shaft	4639-9931	240	1 Wire Male Packard #12015791 w/ Bullet Jumper	1401115
4664	SD7H15HD	Ear 8 Long	JD/ JDA/ JE	Vertical	3/4 x 7/8	5 3/16" (132mm)	A2	12V	Long Key Shaft	4639-9931, 4647-9931	300	1 Wire male Bullet/1 Wire male Packard	1410016*
4665	SD7H15HD	Direct Long	JD	Vertical	3/4 x 7/8	4 11/16" (119mm)	PV7	12V	Long Key Shaft	6512V-6210	300	1 Wire male Packard	1401116
4666	SD7H15	SD7 Direct Long	KC	Horizontal	3/4 x 7/8	4 11/16" (119mm)	PV8	12V	Long Key Shaft	6522-6010	240	1 Wire Male Bullet	1401117
4666	SD7H15HD	Direct ADM/LDM	KC	Horizontal	3/4 x 7/8	4 11/16" (119mm)	PV8	12V	Long Key Shaft	6522-6010, 4417-9931	300	1 Wire male Bullet/Packard GM T&B 15300002 140mm	1410041*
4667	SD7H15	SD7 Direct Long	KCA	Horizontal	3/4 x 7/8	4 11/16" (119mm)	PV8	12V	Long Key Shaft	4705-9930	300	2 Wire Female Packard #15300002	1401371
4667	SD7H15HD	Direct ADM/LDM	KC	Horizontal	3/4 x 7/8	4 11/16" (119mm)	PV8	12V	Long Key Shaft	6522-6010, 4417-9931	300	1 Wire male Bullet/Packard GM T&B 15300002 140mm	1410041*
4672	SD7H15	Ear 8 Long	MDA	Horizontal	1 x 14	4 11/16" (119mm)	PV8	12V	Long Key Shaft	4672-9931	240	1 Wire Male Packard #12015791 w/ Diode	1401118
4672	SD7H15	Ear 8 Long	MDA	Horizontal	1 x 14	4 11/16" (119mm)	PV8	12V	Long Key Shaft	4672-9931	240	1 Wire Male Packard #12015791 w/ Diode	1412003*
4675	SD7H15	SD7 Direct Short	4018	Vertical	O-Ring Compression	4 15/16" (125mm)	PV12	12V	Long Key Shaft	4541-9931	300	2 Wire Female Packard #15300002	1401511
4678	SD7H15	SD7 Direct Long	JDA	Vertical	3/4 x 7/8	4 15/16" (125mm)	PV12	12V	Long Key Shaft	4070-9931	300	1 Wire Male Packard #12015791 w/ Diode	1401474
4687	SD7H15HD	SD7 Direct Long	CBA	Vertical	1 x 14	4 15/16" (125mm)	PV6	12V	Long Key Shaft	4687-9931	240	1 Wire male Packard	1401119
4687	SD7H15	SD7 Direct Long	CBA	Vertical	1 x 14	4 15/16" (125mm)	PV6	12V	Long Key Shaft	-	155	1 Wire male Packard	1410091*

* Aftermarket version compressor



R-134a Compressor Specifications

Sanden No.	Model Type	Mount Type	Cylinder Head				Clutch				Oil Amount (cc)	Connector	Part No
			Type	Port Angle	Size/Thread	Size	Groove	Voltage	Shaft Type	Assy No.			
4694	SD7H15HD	Ear 8 Long	JDA/JD	Vertical	3/4 x 7/8	5 3/16" (132mm)	A2	12V	Long Key Shaft	4752-9931, 4694-9931	300	2 Wire Female Packard /1530002	1410008*
4695	SD7H15HD	Direct ADM/LDM	JDA/JD	Vertical	3/4 x 7/8	4 15/16" (125mm)	A2	12V	Long Key Shaft	6593-6010, RB 4426-9931, 4752-9931	300	Packard Long/Solder/Diode 1530002	1410018*
4696	SD7H15	Ear 8 Long	GQ	Vertical	O-Ring Compression	4 15/16" (125mm)	A2	12V	Long Key Shaft	Not Serviced	300	2 Wire Female Packard #1530002	1401406
4696	SD7H15HD	Ear 8 Long	GQ	Vertical	Pad @ 90	4 15/16" (125mm)	A2	12V	Long Key Shaft	4695-9931, RB 4426-9931	300	Packard long/Solder/Diode 1530002 200mm	1410019*
4698	SD7H15	SD7 Direct Long	JD	Vertical	3/4 x 7/8	5 3/16" (132mm)	PV8	12V	Long Key Shaft	6586-6010	300	2 Wire Male Packard #12015792	1401512
4699	SD7H15HD	Direct ADM/LDM	JD	Vertical	3/4 x 7/8	5 3/16" (132mm)	A2	12V	Long Key Shaft	4780-9931, 4694-9931	300	1 Wire male Packard/ 15300002	1410013*
4700	SD7H15	Ear 8 Long	KC	Horizontal	3/4 x 7/8	5 1/8" (130mm)	PV8	12V	Long Key Shaft	6557-6310	300	2 Wire Female Packard #15300002	1401344
4700	SD7H15HD	Ear 8 Long	KC	Horizontal	3/4 x 7/8	5 1/8" (130mm)	PV8	12V	Key RDA/Cyl. HD Port on V.C/L	4700-9931, 4895-9931	300	2 Wire Female Packard #15300002	1410020*
4704	SD7H15HD	EAR	SJ	Horizontal	Pad (QB)	5 3/16" (132mm)	A2	12V	Involute Spline 13 X 24 X 0.5	4704-9931	300	2 Wire Ford E7EB14A464	1401365
4704	SD7H15HD	Ear 8 Long	SJ	Horizontal	Pad (QB)	5 3/16" (132mm)	A2	12V	Involute Spline 13 X 24 X 0.5	4704-9931	300	2 Wire Ford E7EB14A464	1410012*
4705	SD7H15HD	Ear 8 Long	GQ	Vertical	Pad @ 90	4 11/16" (119mm)	PV8	12V	Long Key Shaft	4417-9931	300	2 pin Mertipak truck	1406006
4705	SD7H15HD	Ear 8 Long	GQ	Vertical	Pad @ 90	4 11/16" (119mm)	PV8	12V	Long Key Shaft	4417-9931	300	2 pin Mertipak truck	1410042*
4707	SD7H15	Ear 8 Long	QC	Horizontal	O-Ring	4 11/16" (119mm)	PV8	12V	Long Key Shaft	6522-6010	135	1 Wire Male Bullet	1401475
4708	SD7H15	Ear 8 Long	QC	Horizontal	O-Ring	4 15/16" (125mm)	A2	12V	Long Key Shaft	6560-6010	135	1 Wire Male Bullet	1401476
4710	SD7H15	Ear 8 Long	CB	Vertical	1 x 14	4 11/16" (119mm)	PV8	12V	Long Key Shaft	6522-6010	135	1 Wire Male Bullet	1401477
4711	SD7H15	Ear 8 Long	JD	Vertical	3/4 x 7/8	4 11/16" (119mm)	PV8	12V	Long Key Shaft	6522-6010	135	1 Wire Male Bullet	1401373
4711	SD7H15HD	Ear 8 Long	JD	Vertical	3/4 x 7/8	4 11/16" (119mm)	PV8	12V	Long Key Shaft	6522-6010	135	1 Wire male Bullet	1410043*
4712	SD7H15	Ear 8 Long	-	-	-	4 11/16" (119mm)	PV8	12V	Long Key Shaft	-	135	1 Wire male Bullet	1401496
4713	SD7H15HD	Ear 8 Long	JDA	Vertical	3/4 x 7/8	4 15/16" (125mm)	A2	12V	Long Key Shaft	4647-9931, 6504-6310	300	Single Wire Packard 12V015791	1410070*
4715	SD7H15HD	Direct ADM/LDM	WV	Horizontal	2 Pad @ 45 Offset	5 3/16" (132mm)	A2	12V	Involute Spline 13 X 24 X 0.5	4694-9931, 4777-9931, 4890-9931	300	2 Wire Female Packard/ 15300002	1410024*
4716	SD7H15HD	Ear 8 Long	WV	Horizontal	2 Pad @ 45 Offset	5 1/8" (130mm)	PV8	12V	Long Key Shaft	4700-9931	300	2 Wire Female Packard 15300002	1410009*
4717	SD7H15HD	Ear 8 Long	WV	Horizontal	2 Pad @ 45 Offset	5 3/16" (132mm)	A2	12V	Long Key Shaft	4694-9931, 4890-9931, 4777-9931	300	2 Wire Female Packard/ 15300002	1410021*
4718	SD7H15HD	Ear 8 Long	WJ	Vertical	Pad Top/Pad	4 11/16" (119mm)	PV8	12V	Long Key Shaft	7731-9931, 4427-9931	300	2 Wire Ford F5TB14A464	1410056*
4720	SD7H15	SD7 Direct Long	4347	Vertical	O-Ring Compression	4 11/16" (119mm)	PV8	12V	Long Key Shaft	4705-9930	300	2 Wire Female Packard #15300002	1401478
4731	SD7H15HD	Direct ADM/LDM	GSA/GH	Vertical/ Horizontal	Pad	4 15/16" (125mm)	PV6	12V	Involute Spline 13 X 24 X 0.5	4756-9931, 4424-9931	300	2 pin Metripak truck/ 15300002	1410002*
4733	SD7H15HD	Direct ADM/LDM, TDM/SDM	WV	Horizontal	2 Pad @ 45 Offset	5 1/8" (130mm)	PV8	12V	Involute Spline 13 X 24 X 0.5	4733-9931, 4895-9931, 6786-6110	300	2 Wire Female Packard/ 15300002	1410010*
4734	SD7H15HD	Ear 8 Long	MDA	Horizontal	1 x 14	4 11/16" (119mm)	PV8	12V	Long Key Shaft	4417-9931, 4420-9931, 4705-9930	300	2 pin Metripak truck/ 15300002	1410006*
4735	SD7H15HD	Ear 8 Long	MDA	Horizontal	1 x 14	5 3/16" (132mm)	A2	12V	Long Key Shaft	4752-9931, 6504-6010	240	2 Wire Female Packard #15300002	1401121

* Aftermarket version compressor

COMPRESSORS



Sanden Style Compressors

R-134a Compressor Specifications

Sanden No.	Model Type	Mount Type	Cylinder Head			Clutch					Oil Amount (cc)	Connector	Part No
			Type	Port Angle	Size/Thread	Size	Groove	Voltage	Shaft Type	Assy No.			
4735	SD7H15HD	Ear 8 Long	MDA	Horizontal	1 x 14	5 3/16" (132mm)	A2	12V	Long Key Shaft	4752-9931, 6504-6010	240	2 Wire Female Packard /15300002	1410005*
4736	SD7H15HD	Ear 8 Long	JDA/JD	Vertical	3/4 x 7/8	5 3/16" (132mm)	A2	12V	Long Key Shaft	4752-9931, 4694-9931	300	2 Wire Female Packard /15300002	1410008*
4739	SD7H15HD	Ear 8 Long	KG	Horizontal	3/4 x 7/8	4 11/16" (119mm)	PV8	12V	Long Key Shaft	4776-9931	300	2 pin Metripack truck	1401374
4739	SD7H15HD	Ear 8 Long	KG	Horizontal	3/4 x 7/8	4 11/16" (119mm)	PV8	12V	Long Key Shaft	4776-9931	300	2 pin Metripack truck	1410084*
4740	SD7H15HD	Ear 8 Long	JDA	Vertical	3/4 x 7/8	4 15/16" (125mm)	A2	12V	Involute Spline 13 X 24 X 0.5	4740-9931	300	2 pin Metripack truck	1410004*
4742	SD7H15	Ear 8 Long	KG	Horizontal	3/4 x 7/8	4 15/16" (125mm)	A2	24V	Long Key Shaft	6716-6010	175	1 Wire Male Bullet	1401479
4745	SD7H15	Ear 8 Long	JD	Vertical	3/4 x 7/8	6 1/4" (158mm)	C1	24V	Long Key Shaft	6719-6110	175	1 Wire Male Bullet	1401123
4745	SD7H15HD	Ear 8 Long	JD	Vertical	3/4 x 7/8	6 1/4" (158mm)	C1	24V	Long Key Shaft	6719-6110	175	1 Wire male Bullet	1410085*
4746	SD7H15HD	Ear 8 Long	JD	Vertical	3/4 x 7/8	6 1/4" (158mm)	C1	12V	Long Key Shaft	6719-6210	175	1 Wire male Bullet	1401138
4747	SD7H15	Ear 8 Long	CB	Vertical	1 x 14	6 1/4" (158mm)	C1	12V	Long Key Shaft	6719-6210	175	1 Wire Male Bullet	1401480
4752	SD7H15HD	Direct ADM/LDM	JDA/JD	Vertical	3/4 x 7/8	4 15/16" (125mm)	A2	12V	Long Key Shaft	6593-6010, RB 4426-9931, 4752-9931	300	Packard Long/Solder/Diode 15300002	1410018*
4753	SD7H15STD	Ear 8 Long	SJ	Horizontal	Pad (QB)	4 11/16" (119mm)	PV8	12V	Involute Spline 13 X 24 X 0.5	4753-9931	300	2 Wire Ford E7EB14A464	1410044*
4757	SD7H15HD/SD7H15SPR HD	SD7 Direct Long	WV	Horizontal	2 Pad @ 45 Offset	4 15/16" (125mm)	PV6	12V	Involute Spline 13 X 24 X 0.5	4757-9931, 4891-9931	300	2 Wire Female Packard/ 15300002	1410011*
4759	SD7H15HD	Direct ADM/LDM	GQ	Vertical	Pad @ 90	4 11/16" (119mm)	PV8	12V	Involute Spline 13 X 24 X 0.5	4776-9931, 4417-9931	300	15300002/3 pin Metripack truck/4 pin Metripack truck	1410022*
4761	SD7H15HD	Direct ADM/LDM	MDA	Horizontal	1 x 14	4 15/16" (125mm)	PV6	12V	Involute Spline 13 X 24 X 0.5	4756-9931	300	15300002	1401127
4762	SD7H15	Ear 8 Long	JD	Vertical	3/4 x 7/8	4 11/16" (119mm)	PV8	24V	Long Key Shaft	4762-9931	175	1 Wire Male Bullet	1401128
4762	SD7H15HD	Ear 8 Long	JD	Vertical	3/4 x 7/8	4 11/16" (119mm)	PV8	24V	Long Key Shaft	4762-9931	175	1 Wire male Bullet	1410087*
4767	SD7H15HD	Direct ADM/LDM	WH	Vertical	Pad (U) @ 45 internal 3/4 x 7/8	4 11/16" (119mm)	PV8	12V	Involute Spline 13 X 24 X 0.5	4767-9931, 4427-9931	300	3 Wire Delphi 15300003	1410059*
4775	SD7H15	SD7 Direct Short	GH	Horizontal	O-Ring Compression	4 11/16" (119mm)	PV8	12V	Involute Spline 13 X 24 X 0.5	6710-6310	240	2 Wire Chrysler #4687921	1401386
4776	SD7H15HD	Direct ADM/LDM	MDA	Horizontal	1 x 14	4 11/16" (119mm)	PV8	12V	Involute Spline 13 X 24 X 0.5	4816-9931, 4885-9931, 4417-9931, 4420-9931, 4705-9930	300	2 Wire Female Packard/ 15300002	1410023*
4777	SD7H15HD	Ear 8 Long	WV	Horizontal	2 Pad @ 45 Offset	5 3/16" (132mm)	A2	12V	Long Key Shaft	4694-9931, 4890-9931, 4777-9931	300	2 Wire Female Packard/ 15300002	1410021*
4778	SD7H15HD	Direct ADM/LDM	WV	Horizontal	2 Pad @ 45 Offset	5 3/16" (132mm)	A2	12V	Involute Spline 13 X 24 X 0.5	4694-9931, 4777-9931, 4890-9931	300	2 Wire Female Packard/ 15300002	1410024*
4779	SD7H15HD	Ear 8 Long	JD	Vertical	3/4 x 7/8	4 15/16" (125mm)	A2	12V	Involute Spline 13 X 24 X 0.5	4779-9931, 4896-9931	300	1 Wire male Packard 15300002	1401375
4779	SD7H15HD	Ear 8 Long	JD	Vertical	3/4 x 7/8	4 15/16" (125mm)	A2	12V	Involute Spline 13 X 24 X 0.5	4779-9931, 4896-9931	300	1 Wire male Packard/ 15300002	1401383
4779	SD7H15HD	Ear 8 Long	JD	Vertical	3/4 x 7/8	4 15/16" (125mm)	A2	12V	Involute Spline 13 X 24 X 0.5	4779-9931, 4896-9931	300	2 Wire Female Packard/ 15300002	1410029*
4780	SD7H15HD	Direct ADM/LDM	JD	Vertical	3/4 x 7/8	5 3/16" (132mm)	A2	12V	Long Key Shaft	4780-9931, 4694-9931	300	1 Wire male Packard/ 15300002	1410013*
4781	SD7H15	Ear 8 Long	KC	Horizontal	3/4 x 7/8	5 1/8" (130mm)	PV8	12V	Involute Spline 13 X 24 X 0.5	6715-6110	270	1 Wire Male Packard #12065171	1401334
4781	SD7H15/SD7H15HD	Ear 8 Long	KC	Horizontal	3/4 x 7/8	5 1/8" (130mm)	PV8	12V	Involute Spline 13 X 24 X 0.5	4659-9931, 4781-9931	270	1 Wire male Packard	1410083*

* Aftermarket version compressor

R-134a Compressor Specifications

Sanden No.	Model Type	Mount Type	Cylinder Head				Clutch				Oil Amount (cc)	Connector	Part No
			Type	Port Angle	Size/Thread	Size	Groove	Voltage	Shaft Type	Assy No.			
4792	SD7H15HD	Direct ADM/LDM	GQ	Vertical	Pad @ 90	4 15/16" (125mm)	PV6	12V	Involute Spline 13 X 24 X 0.5	4756-9931, 4424-9931	300	2 Wire Female Packard/ 15300002	1410003*
4796	SD7H15HD	SD7 Direct GM	GT	Vertical	O-Ring Compression	4 11/16" (119mm)	PV7	12V	Involute Spline 13 X 24 X 0.5	4796-9930	240	2 Wire Female Packard #12177071	1401440
4800	SD7H15	SD7 Direct Long	GV	Horizontal	O-Ring	4 11/16" (119mm)	PV8	12V	Long Key Shaft	4672-9931	300	1 Wire Male Packard #12015791 w/ Diode	1401481
4802	SD7H15HD/SD7H15	Direct Short	480	Vertical	O-Ring Compression	5 1/2" (140mm)	PV8	12V	Long Key Shaft	4802-9931	300	15300002	1412010*
4804	SD7H15	SD7 Direct Short	0	Vertical	O-Ring Compression	4 15/16" (125mm)	PV10	12V	Long Key Shaft	4369-9931	300	2 Wire Female Packard #15300002	1401419
4805	SD7H15	Ear 8 Long	GV	Horizontal	O-Ring	4 11/16" (119mm)	PV8	12V	Long Key Shaft	6522-6010	300	1 Wire Male Bullet	1401482
4808	SD7H15SPR HD	Direct ADM/LDM	MDA	Horizontal	1 x 14	4 11/16" (119mm)	PV8	12V	Long Key Shaft	4368-9931	300	15300002	1401420
4810	SD7H15HD	Direct ADM/LDM	WJ	Vertical	Pad Top	4 15/16" (125mm)	PV6	12V	Long Key Shaft	4810-9931	300	2 Wire Ford F5TB14A464	1401377
4815	SD7H15HD	Direct ADM/LDM	GWA/GH	Horizontal	Offset Pad 90/Pad	4 15/16" (125mm)	PV6	12V	Involute Spline 13 X 24 X 0.5	4883-9931, 4756-9931	300	2 Wire Female Packard/ 15300002	1410025*
4816	SD7H15	SD7 Direct Long	GWA	Horizontal	O-Ring Compression	4 11/16" (119mm)	PV8	12V	Involute Spline 13 X 24 X 0.5	-	300	2 Wire Female Packard #15300002	1410046*
4818	SD7H15HD	Direct ADM/LDM	GH/JDA	Horizontal / Vertical	Pad 3/4 x 7/8	4 11/16" (119mm)	PV8/A2	12V	Long Key Shaft	4417-9931, 4420-9931, 4705-9930, 4885-9931	300	2 pin Metripack truck/ 15300002	1410007*
4819	SD7H15	SD7 Direct Long	GH	Horizontal	O-Ring Compression	4 15/16" (125mm)	PV6	12V	Long Key Shaft	4883-9931	300	2 Wire Female Packard #15300002	1401339
4819	SD7H15HD	Direct ADM/LDM	GH	Horizontal	Pad	4 15/16" (125mm)	PV6	12V	Long Key Shaft	4430-9931, 4424-9931, 4819-9931	300	2 Wire Female Packard/ 15300002	1410026*
4820	SD7H15	Ear 8 Long	GH	Horizontal	O-Ring Compression	4 11/16" (119mm)	PV8	12V	Long Key Shaft	4705-9930	300	2 Wire Female Packard #15300002	1401340
4820	SD7H15	Ear 8 Long	GH	Horizontal	-	4 11/16" (119mm)	PV8	12V	Long Key Shaft	-	155	2 Wire Female Packard #15300002	1410094*
4821	SD7H15	Ear 8 Long	GH	Horizontal	O-Ring Compression	5 3/16" (132mm)	A2	12V	Long Key Shaft	4428-9931	300	2 Wire Female Packard #15300002	1401341
4821	SD7H15HD	EAR	GH	Horizontal	Pad	5 13/64" (132mm)	A2	12V	Long Key Shaft	4752-9931, 4428-9931	300	15300002	1412004*
4822	SD7H15	SD7 Direct Long	JDA	Vertical	3/4 x 7/8	4 11/16" (119mm)	PV8	12V	Long Key Shaft	4705-9930	300	2 Wire Female Packard #15300002	1401133
4822	SD7H15HD	Direct ADM/LDM	JDA	Vertical	3/4 x 7/8	4 11/16" (119mm)	PV8	12V	Long Key Shaft	4667-9931	300	2 Wire Female Packard/ 15300002	1410027*
4823	SD7H15	SD7 Direct Short	KC	Horizontal	3/4 x 7/8	5 1/8" (130mm)	PV8	12V	Involute Spline 13 X 24 X 0.5	6715-6110	300	1 Wire Male Packard #12065171	1401378
4823	SD7H15HD	Direct TDM/SDM	KC	Horizontal	3/4 x 7/8	5 1/8" (130mm)	PV8	12V	Involute Spline 13 X 24 X 0.5	4823-9930	300	1 Wire male Packard	1412005*
4848	SD7H15	SD7 Direct Long	WH	Vertical	3/4 x 7/8 Internal Thread	4 11/16" (119mm)	PV6	12V	Involute Spline 13 X 24 X 0.5	4848-9930	240	2 Wire Ford E7EB-14A464-DA w/ Wedge	1401521
4855	SD7H15 Enhanced	Direct	GV	Horizontal	GM Pad Metric	5 3/16" (132mm)	PV8	12V	Long Key Shaft	6785-6210	300	2 Wire Deutsch DT04-2P-EP05	1401525
4860	SD7H15	Ear 8 Long	GV	Horizontal	O-Ring	4 15/16" (125mm)	A2	12V	Long Key Shaft	4419-9931	200	1 Wire Male Packard #12015791 w/ Diode	1401202
4860	SD7H15HD	EAR	GV	Horizontal	GM Pad Metric	4 59/64" (125mm)	A2	12V	Long Key Shaft	4419-9931	200	1 Wire male Packard	1410047*
4862	SD7H15	Ear 8 Long	GV	Horizontal	O-Ring	4 15/16" (125mm)	A2	24V	Long Key Shaft	4862-9931	200	1 Wire Male Packard #12015791 w/ Diode & Bullet Jumper	1401204

* Aftermarket version compressor

COMPRESSORS



Sanden Style Compressors

R-134a Compressor Specifications

Sanden No.	Model Type	Mount Type	Cylinder Head			Clutch				Oil Amount (cc)	Connector	Part No	
			Type	Port Angle	Size/Thread	Size	Groove	Voltage	Shaft Type				Assy No.
4862	SD7H15HD	Ear 8 Long	GV	Horizontal	GM Pad Metric	4 15/16" (125mm)	A2	24V	Long Key Shaft	4862-9931	200	1 Wire Male Packard #12015791 w/ Diode & Bullet Jumper	1410048*
4864	SD7H15	Ear 8 Long	GV	Horizontal	O-Ring	4 11/16" (119mm)	PV8	12V	Long Key Shaft	4672-9931	200	1 Wire Male Packard #12015791 w/ Diode	1401206
4864	SD7H15HD	EAR	GV	Horizontal	GM Pad Metric	4 11/16" (119mm)	PV8	12V	Long Key Shaft	4420-9931	200	1 Wire male Packard	1410049*
4866	SD7H15	Ear 8 Long	GV	Horizontal	O-Ring	4 11/16" (119mm)	PV8	24V	Long Key Shaft	4866-9931	200	1 Wire Male Packard #12015791 w/ Diode & Bullet Jumper	1401208
4866	SD7H15HD	EAR	GV	Horizontal	GM Pad Metric	4 11/16" (119mm)	PV8	24V	Long Key Shaft	4866-9931	200	1 Wire male Packard	1410050*
4868	SD7H15	Ear 8 Long	GV	Horizontal	O-Ring	6 1/4" (158mm)	C1	12V	Long Key Shaft	4868-9930	200	1 Wire Male Packard #12015791 w/ Diode	1401210
4868	SD7H15HD	Ear 8 Long	GV	Horizontal	GM Pad Metric	6 1/4" (158mm)	C1	12V	Key	4868-9930	200	1 Wire male Packard	1410051*
4870	SD7H15HD	Ear 8 Long	GV	Horizontal	GM Pad Metric	6 1/4" (158mm)	C1	24V	Long Key Shaft	4870-9930	200	1 Wire male Packard	1401212
4870	SD7H15HD	EAR	GV	Horizontal	GM Pad Metric	6 7/32" (158mm)	C1	24V	Long Key Shaft	4870-9930	200	1 Wire male Packard	1410052*
4872	SD7H15	Ear 8 Long	GV	Horizontal	O-Ring	4 15/16" (125mm)	PV10	12V	Long Key Shaft	4872-9930	200	1 Wire Male Packard #12015791 w/ Diode	1401214
4872	SD7H15	Ear 8 Long	GV	Horizontal	O-Ring	4 59/64" (125mm)	PV10	12V	Long Key Shaft	4872-9930	200	1 Wire Male Packard #12015791 w/ Diode	1412001*
4874	SD7H15SHD	Ear 8 Long	GV	Horizontal	GM Pad Metric	4 11/16" (119mm)	PV8	12V	Long Key Shaft	4874-9932	200	1 Wire male Packard	1410054*
4875	SD7H15SHD	EAR	GV	Horizontal	GM Pad Metric	5 7/16" (138mm)	A1	12V	Long Key Shaft	4875-9932	200	1 Wire male Packard	1401217
4875	SD7H15	Ear 8 Long	GV	Horizontal	-	5 7/16" (138mm)	A1	12V	Long Key Shaft	-	155	1 Wire male Packard	1410105*
4877	SD7H15SHD	EAR	GV	Horizontal	GM Pad Metric	5 7/16" (138mm)	A1	24V	Long Key Shaft	4877-9932	200	1 Wire male Packard	1401219
4877	SD7H15	Ear 8 Long	GV	Horizontal	-	5 7/16" (138mm)	A1	24V	Long Key Shaft	-	155	1 Wire male Packard	1410104*
4881	SD7H15HD	Ear 8 Long	GV	Horizontal	GM Pad Metric	6" (152mm)	A2	24V	Long Key Shaft	4881-9930	200	1 Wire male Packard	1410055*
4883	SD7H15	SD7 Direct Long	JD	Vertical	3/4 x 7/8	4 15/16" (125mm)	PV6	12V	Long Key Shaft	4883-9931	300	2 Wire Female Packard #15300002	1401397
4883	SD7H15HD	Direct ADM/LDM	JR	Vertical	Pad	4 15/16" (125mm)	PV6	12V	Long Key Shaft	4883-9931	300	2 Wire Female Packard/ 15300002	1410028*
4884	SD7H15HD	Direct ADM/LDM	GH/JDA	Horizontal / Vertical	Pad 3/4 x 7/8	4 11/16" (119mm)	PV8/A2	12V	Long Key Shaft	4417-9931, 4420-9931, 4705-9930, 4885-9931	300	2 pin Metripack truck/ 15300002	1410007*
4885	SD7H15	SD7 Direct Long	MDA	Horizontal	1 x 14	5 1/16" (128mm)	PV8	12V	Long Key Shaft	6786-6110	300	2 Wire Female Packard #15300002	1401513
4885	SD7H15HD	Direct ADM/LDM	MDA	Horizontal	1 x 14	4 11/16" (119mm)	PV8	12V	Involute Spline 13 X 24 X 0.5	4816-9931, 4885-9931, 4417-9931, 4420-9931, 4705-9930	300	2 Wire Female Packard/ 15300002	1410023*
4890	SD7H15	SD7 Direct Long	WV	Horizontal	O-Ring	5 3/16" (132mm)	A2	12V	Long Key Shaft	6785-6210	300	2 Wire Female Packard #15300002	1401379
4890	SD7H15HD	Direct ADM/LDM	WV	Horizontal	2 Pad @ 45 Offset	5 3/16" (132mm)	A2	12V	Involute Spline 13 X 24 X 0.5	4694-9931, 4777-9931, 4890-9931	300	2 Wire Female Packard/ 15300002	1410024*
4891	SD7H15HD/SD7H15SPR HD	SD7 Direct Long	WV	Horizontal	2 Pad @ 45 Offset	4 15/16" (125mm)	PV6	12V	Involute Spline 13 X 24 X 0.5	4757-9931, 4891-9931	300	2 Wire Female Packard/ 15300002	1410011*
4892	SD7H15HD	Direct ADM/LDM, TDM/SDM	WV	Horizontal	2 Pad @ 45 Offset	5 1/8" (130mm)	PV8	12V	Involute Spline 13 X 24 X 0.5	4733-9931, 4895-9931, 6786-6110	300	2 Wire Female Packard/ 15300002	1410010*

* Aftermarket version compressor



R-134a Compressor Specifications

Sanden No.	Model Type	Mount Type	Cylinder Head			Clutch					Oil Amount (cc)	Connector	Part No
			Type	Port Angle	Size/Thread	Size	Groove	Voltage	Shaft Type	Assy No.			
4893	SD7H15	Ear 8 Long	WV	Horizontal	O-Ring	5 3/16" (132mm)	A2	12V	Long Key Shaft	6785-6210	300	2 Wire Female Packard #15300002	1401380
4893	SD7H15HD	Ear 8 Long	WV	Horizontal	2 Pad @ 45 Offset	5 3/16" (132mm)	A2	12V	Long Key Shaft	4694-9931, 4890-9931, 4777-9931	300	2 Wire Female Packard/ 15300002	1410021*
4895	SD7H15	Ear 8 Long	KC	Horizontal	3/4 x 7/8	5 1/8" (130mm)	PV8	12V	Long Key Shaft	6786-6110	300	2 Wire Female Packard #15300002	1401382
4895	SD7H15HD	Ear 8 Long	KC	Horizontal	3/4 x 7/8	5 1/8" (130mm)	PV8	12V	Key RDA/ Cyl. HD Port on V.C/L	4700-9931, 4895-9931	300	2 Wire Female Packard #15300002	1410020*
4896	SD7H15HD	Ear 8 Long	JD	Vertical	3/4 x 7/8	4 15/16" (125mm)	A2	12V	Involute Spline 13 X 24 X 0.5	4779-9931, 4896-9931	300	1 Wire male Packard 15300002	1401375
4896	SD7H15HD	Ear 8 Long	JD	Vertical	3/4 x 7/8	4 15/16" (125mm)	A2	12V	Involute Spline 13 X 24 X 0.5	4779-9931, 4896-9931	300	1 Wire male Packard/ 15300002	1401383
4896	SD7H15HD	Ear 8 Long	JD	Vertical	3/4 x 7/8	4 15/16" (125mm)	A2	12V	Involute Spline 13 X 24 X 0.5	4779-9931, 4896-9931	300	2 Wire Female Packard/ 15300002	1410029*
4897	SD7H15HD	Direct ADM/LDM	KCA	Horizontal	3/4 x 7/8	4 59/64" (125mm)	PV6	12V	Long Key Shaft	4819-9931	300	15300002	1412006*
5072	SD5H09STD	Ear 8 Short	FL	Vertical	3/4 x 7/8	4 15/16" (125mm)	A2	12V	SD5 Keyed Shaft	9301-6011	100	1 Wire male Bullet	1401391
5073	SD5H09	Ear 8 Short	FL	Vertical	3/4 x 7/8	4 15/16" (125mm)	A2	24V	SD5 Keyed Shaft	9351-6010	100	1 Wire Male Bullet	1401514
5077	SD5H09STD	Ear 8 Short	K	Horizontal	3/4 x 7/8	4 15/16" (125mm)	A2	12V	SD5 Keyed Shaft	9301-6010	100	1 Wire male Bullet	1401392
6035	SD7H15	Ear 8 Long	WZ	Horizontal	O-Ring	5 3/16" (132mm)	A2	24V	Long Key Shaft	Not Serviced	240	2 Wire Deutsch #DT04-2P-E (005, EP04, EP05)	1401493
6321	SD5H11	Ear 8 Mid	FL	Vertical	3/4 x 7/8	4 15/16" (125mm)	A2	12V	Long Key Shaft	0581-6211	135	1 Wire Male Spade CF250MEC	1401483
6631	SD5H14HD	Ear 8 Long	M	Horizontal	1 x 14	5 3/16" (132mm)	A2	12V	Long Key Shaft	6514-6210, 6519-6010	175	1 Wire male Bullet	1401348
6632	SD5H14	Ear 8 Long	M	Horizontal	1 x 14	5 3/16" (132mm)	A2	24V	Long Key Shaft	6514-6210	175	1 Wire Male Bullet	1401486
6634	SD5H14HD	Ear 8 Long	K	Horizontal	3/4 x 7/8	5 3/16" (132mm)	A2	24V	Long Key Shaft	6514-6210	175	1 Wire male Bullet	1401136
6642	SD5H14	Ear 8 Long	C	Vertical	1 x 14	5 3/16" (132mm)	A2	12V	SD5 Keyed Shaft	8536-6111	175	1 Wire Male Bullet	1401515
6656	SD5H14HD	Ear 8 Long	FL	Vertical	3/4 x 7/8	4 15/16" (125mm)	PV10	12V	Long Key Shaft	6518-6210	210/175	1 Wire male Bullet	1410063*
6664	SD5H14HD	Ear 8 Long	FL	Vertical	3/4 x 7/8	5 3/16" (132mm)	A2	12V	Long Key Shaft	6514-6010, 6519-6010, 6514-6210	210	1 Wire male Bullet	1401484
6664	SD5H14HD	Ear 8 Long	FL	Vertical	3/4 x 7/8	5 3/16" (132mm)	A2	12V	Long Key Shaft	6514-6010, 6519-6010, 6514-6210	210	1 Wire male Bullet	1410064*
6665	SD5H14HD	Ear 8 Long	FL	Vertical	3/4 x 7/8	5 3/16" (132mm)	A2	24V	Long Key Shaft	6514-6210	210	1 Wire male Bullet	1401485
6665	SD5H14HD	Ear 8 Long	FL	Vertical	3/4 x 7/8	5 3/16" (132mm)	A2	24V	Long Key Shaft	6514-6210	240	1 Wire male Bullet	1410062*
6671	SD5H14HD	EAR	C	Vertical	1 x 14	6 1/4" (158mm)	C1	12V	Long Key Shaft	Not Serviced	240	1 Wire male Bullet	1401101
6671	SD5H14HD	Ear 8 Long	C	Vertical	1 x 14	6 1/4" (158mm)	C1	12V	Long Key Shaft	Not Serviced	240	1 Wire male Bullet	1401104
6672	SD5H14HD	Ear 8 Long	FL	Vertical	3/4 x 7/8	6 1/4" (158mm)	C1	24V	Long Key Shaft	6521-6210	210	1 Wire male Bullet	1410065*
6673	SD5H14	Ear 8 Long	0	Vertical	3/4 x 7/8	6 1/4" (158mm)	C1	12V	Long Key Shaft	Not Serviced	240	1 Wire Male Bullet	1401522
6674	SD5H14HD	Ear 8 Long	FL	Vertical	3/4 x 7/8	4 13/16" (123mm)	A1	12V	Long Key Shaft	Not Serviced	210	1 Wire male Bullet	1401332
6676	SD5H14	Ear 8 Long	K	Horizontal	3/4 x 7/8	5 3/16" (132mm)	A2	12V	SD5 Keyed Shaft	6519-6010	210	1 Wire Male Bullet	1401333
6676	SD5H14HD	Ear 8 Long	K	Horizontal	3/4 x 7/8	5 3/16" (132mm)	A2	12V	Long Key Shaft	6514-6010, 6514-6210, 6519-6010	210	1 Wire male Bullet	1410066*

* Aftermarket version compressor

COMPRESSORS



Sanden Style Compressors

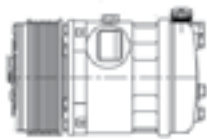
R-134a Compressor Specifications

Sanden No.	Model Type	Mount Type	Cylinder Head				Clutch					Oil Amount (cc)	Connector	Part No
			Type	Port Angle	Size/Thread	Size	Groove	Voltage	Shaft Type	Assy No.				
6677	SD5H14	Ear 8 Long	C	Vertical	1 x 14	132mm	A2	12V	-	-	210	1 Wire Male Bullet	1401529	
6697	SD5H14	Ear 8 Long	FL	Vertical	3/4 x 7/8	4 11/16" (119mm)	PV8	24V	Long Key Shaft	Not Serviced	175	1 Wire Male Bullet	1401488	
7170	SD7B10	SD7B Swing Alternator 2 Top 2 Bottom	PB	T	O-Ring	4 9/16" (116mm)	A2	12V	Long Key Shaft	0654-6011	100	1 Wire Male Bullet	1401516	
7360	SD7H13	Direct SD708 & SD7H13	WL	Vertical	O-Ring Compression	5 3/4" (146mm)	B1	24V	Long Key Shaft	0580-6311	135	1 Wire Male Bullet	1401489	
7804	SD7H15HD	Direct ADM/LDM	WH	Vertical	Pad (U) @ 45 internal 3/4 x 7/8	4 11/16" (119mm)	PV8	12V	Long Key Shaft	4427-9931, 7731-9930	300	2 Wire Ford F5TB14A464	1410058*	
7819	SD7H15	Ear 8 Long	MDA	Horizontal	1 x 14	4 15/16" (125mm)	A2	12V	Long Key Shaft	6560-6010	150	1 Wire Male Bullet	1401135	
7819	SD7H15HD	Ear 8 Long	MD	Horizontal	1 x 14	4 15/16" (125mm)	A2	12V	Key/Port 7mm Above H. C/L	7819-9930	150	1 Wire male Bullet	1410071*	
7822	SD7H15	Ear 8 Long	MDA	Horizontal	1 x 14	4 11/16" (119mm)	PV8	12V	Long Key Shaft	6522-6010	240	1 Wire Male Bullet	1401384	
7822	SD7H15HD	Ear 8 Long	MD	Horizontal	1 x 14	4 11/16" (119mm)	PV8	12V	Key/Port 7mm Above H. C/L	6522-6010	240	1 Wire male Bullet	1410072*	
8045	SD7H15	Ear 8 Long	WZ	Horizontal	O-Ring	5 3/16" (132mm)	A2	24V	Long Key Shaft	0767-6011	240	1 Wire Bullet Volvo 1308436	1401490	
8104	SD7H15HD	Ear 8 Long	JD/JDA/ JE	Vertical	3/4 x 7/8	5 3/16" (132mm)	A2	12V	Long Key Shaft	4639-9931, 4647-9931	300	1 Wire male Bullet/1 Wire male Packard	1410016*	
8105	SD7H15HD	Direct HDM/FDM	JD	Vertical	3/4 x 7/8	4 11/16" (119mm)	PV6	12V	Long Key Shaft	6516-6010	240	1 Wire male Bullet	1410068*	
8112	SD7H15	SD7 Direct Short	-	-	-	5 3/16" (132mm)	PV8	24V	Long Key Shaft	Not Serviced	240	1 Wire Bullet Volvo 1308436	1401523	
8144	SD7H15	SD7 Direct Short	MD	Horizontal	1 x 14	4 11/16" (119mm)	PV8	24V	Long Key Shaft	Not Serviced	200	1 Wire Female AMP #282104	1401491	
8152	SD7H15	Ear 8 Long	WZ	Horizontal	O-Ring	5 3/16" (132mm)	A2	24V	Long Key Shaft	Not Serviced	240	2 Wire AMP171661-1	1401492	
8242	SD7H15	SD7 Direct Short	WZ	Horizontal	O-Ring	5 1/8" (130mm)	PV8	24V	Long Key Shaft	Not Serviced	240	2 Wire Deutsch #DT04-2P-E (005, EP04, EP05)	1401518	
9570	SD7H15SPR HD	Direct Short	WV	Horizontal	O-Ring	5 3/64" (128mm)/ 5 1/8" (130mm)	PV8	12V	Long Key Shaft	Not Serviced	300	15300002	1412011*	

* Aftermarket version compressor

R-134a Compressors - OEM Version

Part No: 1401101



Voltage: 12V	Material: Aluminum
Mount: EAR	Model Type: SD5H14HD
Clutch Size: 6 1/4" (158mm)	OEM Model No: 4511, 6671
Cylinder Head Type: C	No. of Grooves: C1
Cylinder Head Port Angle: Vertical	Clutch Assembly No: Not Serviced
Cylinder Head Size/Thread: 1 x 14	Clutch Shaft Type: long Key Shaft
Oil Amount: 240	Oil Type: SP20
Connector: 1 Wire male Bullet	System: R-134a

Part No: 1401104



Voltage: 12V	Material: Aluminum
Mount: Ear 8 Long	Model Type: SD5H14HD
Clutch Size: 6 1/4" (158mm)	OEM Model No: 4511, 6671
Cylinder Head Type: C	No. of Grooves: C1
Cylinder Head Port Angle: Vertical	Clutch Assembly No: Not Serviced
Cylinder Head Size/Thread: 1 x 14	Clutch Shaft Type: Long Key Shaft
Oil Amount: 240	Oil Type: SP20
Connector: 1 Wire male Bullet	System: R-134a

Part No: 1401106




Voltage: 12V	Material: Aluminum
Mount: Ear 8 Long	Model Type: SD7H15
Clutch Size: 5 3/16" (132mm)	OEM Model No: 4469
Cylinder Head Type: WJ	No. of Grooves: A2
Cylinder Head Port Angle: Vertical	Clutch Assembly No: 6504-6010
Cylinder Head Size/Thread: 3/4 x 7/8 Internal Thread	Clutch Shaft Type: Long Key Shaft
Oil Amount: 300	Oil Type: SP15
Connector: 2 Wire Ford F5TB-14A464-FA w/ Wedge	System: R-134a

COMPRESSORS





Part No: 1401107



Voltage: 12V	Material: Aluminum
Mount: SD7 Direct Long	Model Type: SD7H15
Clutch Size: 5 3/16" (132mm)	OEM Model No: 4626
Cylinder Head Type: JD	No. of Grooves: A2
Cylinder Head Port Angle: Vertical	Clutch Assembly No: 6511-6010
Cylinder Head Size/Thread: 3/4 x 7/8	Clutch Shaft Type: Long Key Shaft
Oil Amount: 300	Oil Type: SP15
Connector: 1 Wire Male Packard #12065171	System: R-134a

Part No: 1401108



Voltage: 12V	Material: Aluminum
Mount: Ear 8 Long	Model Type: SD7H15
Clutch Size: 4 15/16" (125mm)	OEM Model No: 4627
Cylinder Head Type: JD	No. of Grooves: A2
Cylinder Head Port Angle: Vertical	Clutch Assembly No: 6510-6110
Cylinder Head Size/Thread: 3/4 x 7/8	Clutch Shaft Type: Long Key Shaft
Oil Amount: 300	Oil Type: SP15
Connector: 1 Wire Male Packard #12065171	System: R-134a

Part No: 1401109




Voltage: 12V	Material: Aluminum
Mount: Ear 8 Long	Model Type: SD7H15SHD
Clutch Size: 5 3/16" (132mm)	OEM Model No: 4637
Cylinder Head Type: KC	No. of Grooves: PV8
Cylinder Head Port Angle: Horizontal	Clutch Assembly No: 4637-9933
Cylinder Head Size/Thread: 3/4 x 7/8	Clutch Shaft Type: Long Key Shaft
Oil Amount: 270	Oil Type: SP15
Connector: 2 Wire male Packard	System: R-134a

Part No: 1401110



Voltage: 12V	Material: Aluminum
Mount: Ear 8 Long	Model Type: SD7H15
Clutch Size: 4 11/16" (119mm)	OEM Model No: 4645
Cylinder Head Type: JDA	No. of Grooves: PV7
Cylinder Head Port Angle: Vertical	Clutch Assembly No: 6512-6310
Cylinder Head Size/Thread: 3/4 x 7/8	Clutch Shaft Type: Long Key Shaft
Oil Amount: 300	Oil Type: SP15
Connector: 1 Wire Male Packard #12015791 w/ Diode	System: R-134a

Part No: 1401111




Voltage: 12V	Material: Aluminum
Mount: Ear 8 Long	Model Type: SD7H15
Clutch Size: 5 3/16" (132mm)	OEM Model No: 4646
Cylinder Head Type: MDA	No. of Grooves: A2
Cylinder Head Port Angle: Horizontal	Clutch Assembly No: 6504-6310
Cylinder Head Size/Thread: 1 x 14	Clutch Shaft Type: Long Key Shaft
Oil Amount: 240	Oil Type: SP15
Connector: 1 Wire Male Packard #12015791 w/ Diode	System: R-134a

Part No: 1401113




Voltage: 24V	Material: Aluminum
Mount: Ear 8 Long	Model Type: SD7H15
Clutch Size: 4 15/16" (125mm)	OEM Model No: 4652
Cylinder Head Type: JD	No. of Grooves: A2
Cylinder Head Port Angle: Vertical	Clutch Assembly No: 6511-6310
Cylinder Head Size/Thread: 3/4 x 7/8	Clutch Shaft Type: Long Key Shaft
Oil Amount: 270	Oil Type: SP15
Connector: 1 Wire Male Packard #12015791 w/ Diode	System: R-134a

Part No: 1401114



Voltage: 12V	Material: Aluminum
Mount: Ear 8 Long	Model Type: SD7H15
Clutch Size: 4 1/4" (108mm)	OEM Model No: 4660
Cylinder Head Type: JD	No. of Grooves: PV8
Cylinder Head Port Angle: Vertical	Clutch Assembly No: 4672-9931
Cylinder Head Size/Thread: 3/4 x 7/8	Clutch Shaft Type: Long Key Shaft
Oil Amount: 270	Oil Type: SP15
Connector: 1 Wire Male Packard #12015791 W/ Diode	System: R-134a

Part No: 1401115



Voltage: 12V	Material: Aluminum
Mount: Ear 8 Long	Model Type: SD7H15
Clutch Size: 5 3/16" (132mm)	OEM Model No: 4664
Cylinder Head Type: JD	No. of Grooves: A2
Cylinder Head Port Angle: Vertical	Clutch Assembly No: 4639-9931
Cylinder Head Size/Thread: 3/4 x 7/8	Clutch Shaft Type: Long Key Shaft
Oil Amount: 240	Oil Type: SP15
Connector: 1 Wire Male Packard #12015791 w/ Bullet Jumper	System: R-134a

Part No: 1401116



Voltage: 12V	Material: Aluminum
Mount: Direct Long	Model Type: SD7H15HD
Clutch Size: 4 11/16" (119mm)	OEM Model No: 4665
Cylinder Head Type: JD	No. of Grooves: PV7
Cylinder Head Port Angle: Vertical	Clutch Assembly No: 6512V-6210
Cylinder Head Size/Thread: 3/4 x 7/8	Clutch Shaft Type: Long Key Shaft
Oil Amount: 300	Oil Type: SP15
Connector: 1 Wire male Packard	System: R-134a

Sanden Style Compressors

Part No: 1401117



Voltage: 12V	Material: Aluminum
Mount: SD7 Direct Long	Model Type: SD7H15
Clutch Size: 4 11/16" (119mm)	OEM Model No: 4666
Cylinder Head Type: KC	No. of Grooves: PV8
Cylinder Head Port Angle: Horizontal	Clutch Assembly No: 6522-6010
Cylinder Head Size/Thread: 3/4 x 7/8	Clutch Shaft Type: Long Key Shaft
Oil Amount: 240	Oil Type: SP15
Connector: 1 Wire Male Bullet	System: R-134a

Part No: 1401118



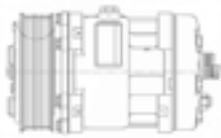
Voltage: 12V	Material: Aluminum
Mount: Ear 8 Long	Model Type: SD7H15
Clutch Size: 4 11/16" (119mm)	OEM Model No: 4672
Cylinder Head Type: MDA	No. of Grooves: PV8
Cylinder Head Port Angle: Horizontal	Clutch Assembly No: 4672-9931
Cylinder Head Size/Thread: 1 x 14	Clutch Shaft Type: Long Key Shaft
Oil Amount: 240	Oil Type: SP15
Connector: 1 Wire Male Packard #12015791 w/ Diode	System: R-134a

Part No: 1401119



Voltage: 12V	Material: Aluminum
Mount: SD7 Direct Long	Model Type: SD7H15HD
Clutch Size: 4 15/16" (125mm)	OEM Model No: 4687
Cylinder Head Type: CBA	No. of Grooves: PV6
Cylinder Head Port Angle: Vertical	Clutch Assembly No: 4687-9931
Cylinder Head Size/Thread: 1 x 14	Clutch Shaft Type: Long Key Shaft
Oil Amount: 240	Oil Type: SP15
Connector: 1 Wire male Packard	System: R-134a

Part No: 1401120



Voltage: 12V	Material: Aluminum
Mount: Ear 8 Long	Model Type: SD7H15
Clutch Size: 4 11/16" (119mm)	OEM Model No: 4477
Cylinder Head Type: MDA	No. of Grooves: PV8
Cylinder Head Port Angle: Horizontal	Clutch Assembly No: 4705-9930
Cylinder Head Size/Thread: 1 x 14	Clutch Shaft Type: Long Key Shaft
Oil Amount: 300	Oil Type: SP15
Connector: 2 Wire Female Packard #15300002	System: R-134a

Part No: 1401121



Voltage: 12V	Material: Aluminum
Mount: Ear 8 Long	Model Type: SD7H15HD
Clutch Size: 5 3/16" (132mm)	OEM Model No: 4735, 4471
Cylinder Head Type: MDA	No. of Grooves: A2
Cylinder Head Port Angle: Horizontal	Clutch Assembly No: 4752-9931, 6504-6010
Cylinder Head Size/Thread: 1 x 14	Clutch Shaft Type: Long Key Shaft
Oil Amount: 240	Oil Type: SP15
Connector: 2 Wire Female Packard #15300002	System: R-134a

Part No: 1401122



Voltage: 12V	Material: Aluminum
Mount: Ear 8 Long	Model Type: SD7H15
Clutch Size: 5 3/16" (132mm)	OEM Model No: 4488
Cylinder Head Type: JDA	No. of Grooves: A2
Cylinder Head Port Angle: Vertical	Clutch Assembly No: 4752-9931
Cylinder Head Size/Thread: 3/4 x 7/8	Clutch Shaft Type: Long Key Shaft
Oil Amount: 300	Oil Type: SP15
Connector: 2 Wire Female Packard #15300002	System: R-134a

Part No: 1401123



Voltage: 24V	Material: Aluminum
Mount: Ear 8 Long	Model Type: SD7H15
Clutch Size: 6 1/4" (158mm)	OEM Model No: 4745
Cylinder Head Type: JD	No. of Grooves: C1
Cylinder Head Port Angle: Vertical	Clutch Assembly No: 6719-6110
Cylinder Head Size/Thread: 3/4 x 7/8	Clutch Shaft Type: Long Key Shaft
Oil Amount: 175	Oil Type: SP15
Connector: 1 Wire Male Bullet	System: R-134a

Part No: 1401125



Voltage: 12V	Material: Aluminum
Mount: SD7 Direct Long	Model Type: SD7H15
Clutch Size: 5 3/16" (132mm)	OEM Model No: 4491
Cylinder Head Type: JD	No. of Grooves: A2
Cylinder Head Port Angle: Vertical	Clutch Assembly No: 4752-9931
Cylinder Head Size/Thread: 3/4 x 7/8	Clutch Shaft Type: Long Key Shaft
Oil Amount: 300	Oil Type: SP15
Connector: 2 Wire Female Packard #15300002	System: R-134a


Part No: 1401126



Voltage: 12V	Material: Aluminum
Mount: SD7 Direct Long	Model Type: SD7H15
Clutch Size: 4 15/16" (125mm)	OEM Model No: 4475
Cylinder Head Type: CBA	No. of Grooves: PV6
Cylinder Head Port Angle: Vertical	Clutch Assembly No: 4756-9931
Cylinder Head Size/Thread: 1 x 14	Clutch Shaft Type: Involute Spline 13 x 24 0.5
Oil Amount: 300	Oil Type: SP15
Connector: 2 Wire Female Packard #15300002	System: R-134a



Part No: 1401127



Voltage: 12V	Material: Aluminum
Mount: Direct ADM/LDM	Model Type: SD7H15HD
Clutch Size: 4 15/16" (125mm)	OEM Model No: 4761, 4492
Cylinder Head Type: MDA	No. of Grooves: PV6
Cylinder Head Port Angle: Horizontal	Clutch Assembly No: 4756-9931
Cylinder Head Size/Thread: 1 x 14	Clutch Shaft Type: Involute Spline 13 x 24 0.5
Oil Amount: 300	Oil Type: SP15
Connector: 15300002	System: R-134a

Part No: 1401128




Voltage: 24V	Material: Aluminum
Mount: Ear 8 Long	Model Type: SD7H15
Clutch Size: 4 11/16" (119mm)	OEM Model No: 4762
Cylinder Head Type: JD	No. of Grooves: PV8
Cylinder Head Port Angle: Vertical	Clutch Assembly No: 4762-9931
Cylinder Head Size/Thread: 3/4 x 7/8	Clutch Shaft Type: Long Key Shaft
Oil Amount: 175	Oil Type: SP15
Connector: 1 Wire Male Bullet	System: R-134a

Part No: 1401133




Voltage: 12V	Material: Aluminum
Mount: SD7 Direct Long	Model Type: SD7H15
Clutch Size: 4 11/16" (119mm)	OEM Model No: 4822
Cylinder Head Type: JDA	No. of Grooves: PV8
Cylinder Head Port Angle: Vertical	Clutch Assembly No: 4705-9930
Cylinder Head Size/Thread: 3/4 x 7/8	Clutch Shaft Type: Long Key Shaft
Oil Amount: 300	Oil Type: SP15
Connector: 2 Wire Female Packard #15300002	System: R-134a

Part No: 1401135



Voltage: 12V	Material: Aluminum
Mount: Ear 8 Long	Model Type: SD7H15
Clutch Size: 4 15/16" (125mm)	OEM Model No: 7819
Cylinder Head Type: MDA	No. of Grooves: A2
Cylinder Head Port Angle: Horizontal	Clutch Assembly No: 6560-6010
Cylinder Head Size/Thread: 1 x 14	Clutch Shaft Type: Long Key Shaft
Oil Amount: 150	Oil Type: SP15
Connector: 1 Wire Male Bullet	System: R-134a

Part No: 1401136




Voltage: 24V	Material: Aluminum
Mount: Ear 8 Long	Model Type: SD5H14HD
Clutch Size: 5 3/16" (132mm)	OEM Model No: 4537, 6634
Cylinder Head Type: K	No. of Grooves: A2
Cylinder Head Port Angle: Horizontal	Clutch Assembly No: 6514-6210
Cylinder Head Size/Thread: 3/4 x 7/8	Clutch Shaft Type: Long Key Shaft
Oil Amount: 175	Oil Type: SP20
Connector: 1 Wire male Bullet	System: R-134a

Part No: 1401138




Voltage: 12V	Material: Aluminum
Mount: Ear 8 Long	Model Type: SD7H15HD
Clutch Size: 6 1/4" (158mm)	OEM Model No: 4746
Cylinder Head Type: JD	No. of Grooves: C1
Cylinder Head Port Angle: Vertical	Clutch Assembly No: 6719-6210
Cylinder Head Size/Thread: 3/4 x 7/8	Clutch Shaft Type: Long Key Shaft
Oil Amount: 175	Oil Type: SP15
Connector: 1 Wire male Bullet	System: R-134a

Part No: 1401140



Voltage: 24V	Material: Aluminum
Mount: Ear 8 Long	Model Type: SD5H14
Clutch Size: 6 1/4" (158mm)	OEM Model No: 4516
Cylinder Head Type: JD	No. of Grooves: C1
Cylinder Head Port Angle: Vertical	Clutch Assembly No: 9313-6210
Cylinder Head Size/Thread: 3/4 x 7/8	Clutch Shaft Type: SD5 Keyed Shaft
Oil Amount: 210	Oil Type: SP15
Connector: 1 Wire Male Bullet	System: R-134a

Part No: 1401200



Voltage: 12V	Material: Aluminum
Mount: SD7 Direct Long	Model Type: SD7H15
Clutch Size: 4 15/16" (125mm)	OEM Model No: 4419
Cylinder Head Type: GV	No. of Grooves: A2
Cylinder Head Port Angle: Horizontal	Clutch Assembly No: 4419-9931
Cylinder Head Size/Thread: O-Ring	Clutch Shaft Type: Long Key Shaft
Oil Amount: 200	Oil Type: SP15
Connector: 1 Wire Male Packard #12015791 w/ Diode	System: R-134a

Part No: 1401201



Voltage: 12V	Material: Aluminum
Mount: SD7 Direct Long	Model Type: SD7H15
Clutch Size: 4 11/16" (119mm)	OEM Model No: 4420
Cylinder Head Type: GV	No. of Grooves: PV8
Cylinder Head Port Angle: Horizontal	Clutch Assembly No: 4672-9931
Cylinder Head Size/Thread: O-Ring	Clutch Shaft Type: Long Key Shaft
Oil Amount: 200	Oil Type: SP15
Connector: 1 Wire Male Packard #12015791 w/ Diode	System: R-134a

Sanden Style Compressors

COMPRESSORS

Part No: 1401202



Voltage: 12V	Material: Aluminum
Mount: Ear 8 Long	Model Type: SD7H15
Clutch Size: 4 15/16" (125mm)	OEM Model No: 4860
Cylinder Head Type: GV	No. of Grooves: A2
Cylinder Head Port Angle: Horizontal	Clutch Assembly No: 4419-9931
Cylinder Head Size/Thread: O-Ring	Clutch Shaft Type: Long Key Shaft
Oil Amount: 200	Oil Type: SP15
Connector: 1 Wire Male Packard #12015791 w/ Diode	System: R-134a

Part No: 1401204



Voltage: 24V	Material: Aluminum
Mount: Ear 8 Long	Model Type: SD7H15
Clutch Size: 4 15/16" (125mm)	OEM Model No: 4862
Cylinder Head Type: GV	No. of Grooves: A2
Cylinder Head Port Angle: Horizontal	Clutch Assembly No: 4862-9931
Cylinder Head Size/Thread: O-Ring	Clutch Shaft Type: Long Key Shaft
Oil Amount: 200	Oil Type: SP15
Connector: 1 Wire Male Packard #12015791 w/ Diode & Bullet Jumper	System: R-134a

Part No: 1401206



Voltage: 12V	Material: Aluminum
Mount: Ear 8 Long	Model Type: SD7H15
Clutch Size: 4 11/16" (119mm)	OEM Model No: 4864
Cylinder Head Type: GV	No. of Grooves: PV8
Cylinder Head Port Angle: Horizontal	Clutch Assembly No: 4672-9931
Cylinder Head Size/Thread: O-Ring	Clutch Shaft Type: Long Key Shaft
Oil Amount: 200	Oil Type: SP15
Connector: 1 Wire Male Packard #12015791 w/ Diode	System: R-134a

Part No: 1401208



Voltage: 24V	Material: Aluminum
Mount: Ear 8 Long	Model Type: SD7H15
Clutch Size: 4 11/16" (119mm)	OEM Model No: 4866
Cylinder Head Type: GV	No. of Grooves: PV8
Cylinder Head Port Angle: Horizontal	Clutch Assembly No: 4866-9931
Cylinder Head Size/Thread: O-Ring	Clutch Shaft Type: Long Key Shaft
Oil Amount: 200	Oil Type: SP15
Connector: 1 Wire Male Packard #12015791 w/ Diode & Bullet Jumper	System: R-134a

Part No: 1401210



Voltage: 12V	Material: Aluminum
Mount: Ear 8 Long	Model Type: SD7H15
Clutch Size: 6 1/4" (158mm)	OEM Model No: 4868
Cylinder Head Type: GV	No. of Grooves: C1
Cylinder Head Port Angle: Horizontal	Clutch Assembly No: 4868-9930
Cylinder Head Size/Thread: O-Ring	Clutch Shaft Type: Long Key Shaft
Oil Amount: 200	Oil Type: SP15
Connector: 1 Wire Male Packard #12015791 w/ Diode	System: R-134a

Part No: 1401212



Voltage: 24V	Material: Aluminum
Mount: Ear 8 Long	Model Type: SD7H15HD
Clutch Size: 6 1/4" (158mm)	OEM Model No: 4870
Cylinder Head Type: GV	No. of Grooves: C1
Cylinder Head Port Angle: Horizontal	Clutch Assembly No: 4870-9930
Cylinder Head Size/Thread: GM Pad Metric	Clutch Shaft Type: Long Key Shaft
Oil Amount: 200	Oil Type: SP15
Connector: 1 Wire male Packard	System: R-134a

Part No: 1401214



Voltage: 12V	Material: Aluminum
Mount: Ear 8 Long	Model Type: SD7H15
Clutch Size: 4 15/16" (125mm)	OEM Model No: 4872
Cylinder Head Type: GV	No. of Grooves: PV10
Cylinder Head Port Angle: Horizontal	Clutch Assembly No: 4872-9930
Cylinder Head Size/Thread: O-Ring	Clutch Shaft Type: Long Key Shaft
Oil Amount: 200	Oil Type: SP15
Connector: 1 Wire Male Packard #12015791 w/ Diode	System: R-134a

Part No: 1401217



Voltage: 12V	Material: Aluminum
Mount: EAR	Model Type: SD7H15SHD
Clutch Size: 5 7/16" (138mm)	OEM Model No: 4875
Cylinder Head Type: GV	No. of Grooves: A1
Cylinder Head Port Angle: Horizontal	Clutch Assembly No: 4875-9932
Cylinder Head Size/Thread: GM Pad Metric	Clutch Shaft Type: Long Key Shaft
Oil Amount: 200	Oil Type: SP15
Connector: 1 Wire male Packard	System: R-134a


Part No: 1401219



Voltage: 24V	Material: Aluminum
Mount: EAR	Model Type: SD7H15SHD
Clutch Size: 5 7/16" (138mm)	OEM Model No: 4877
Cylinder Head Type: GV	No. of Grooves: A1
Cylinder Head Port Angle: Horizontal	Clutch Assembly No: 4877-9932
Cylinder Head Size/Thread: GM Pad Metric	Clutch Shaft Type: Long Key Shaft
Oil Amount: 200	Oil Type: SP15
Connector: 1 Wire male Packard	System: R-134a




Part No: 1401225



Voltage: 12V	Material: Aluminum
Mount: Ear 8 Long	Model Type: SD7H15
Clutch Size: 5 3/16" (132mm)	OEM Model No: 4434
Cylinder Head Type: GV	No. of Grooves: A2
Cylinder Head Port Angle: Horizontal	Clutch Assembly No: 6504-6310
Cylinder Head Size/Thread: O-Ring	Clutch Shaft Type: Long Key Shaft
Oil Amount: 200	Oil Type: SP15
Connector: 1 Wire Male Packard #12015791 w/ Diode	System: R-134a

Part No: 1401226




Voltage: 24V	Material: Aluminum
Mount: Ear 8 Long	Model Type: SD7H15
Clutch Size: 5 3/16" (132mm)	OEM Model No: 4435
Cylinder Head Type: GV	No. of Grooves: A2
Cylinder Head Port Angle: Horizontal	Clutch Assembly No: 4435-9931
Cylinder Head Size/Thread: O-Ring	Clutch Shaft Type: Long Key Shaft
Oil Amount: 200	Oil Type: SP15
Connector: 1 Wire Male Packard #12015791 w/ Diode & Bullet Jumper	System: R-134a

Part No: 1401330



Voltage: 12V	Material: Aluminum
Mount: Ear 8 Long	Model Type: SD7H15
Clutch Size: 5 3/16" (132mm)	OEM Model No: 4643
Cylinder Head Type: CBA	No. of Grooves: A2
Cylinder Head Port Angle: Vertical	Clutch Assembly No: 6504-6210
Cylinder Head Size/Thread: 1 x 14	Clutch Shaft Type: Long Key Shaft
Oil Amount: 240	Oil Type: SP15
Connector: 1 Wire Male Bullet	System: R-134a

Part No: 1401331



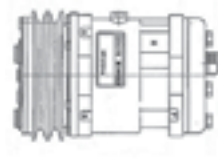
Voltage: 12V	Material: Aluminum
Mount: Ear 8 Long	Model Type: SD7H15
Clutch Size: 4 15/16" (125mm)	OEM Model No: 4663
Cylinder Head Type: JD	No. of Grooves: A2
Cylinder Head Port Angle: Vertical	Clutch Assembly No: 6560-6010
Cylinder Head Size/Thread: 3/4 x 7/8	Clutch Shaft Type: Long Key Shaft
Oil Amount: 135	Oil Type: SP15
Connector: 1 Wire Male Bullet	System: R-134a

Part No: 1401332




Voltage: 12V	Material: Aluminum
Mount: Ear 8 Long	Model Type: SD5H14HD
Clutch Size: 4 13/16" (123mm)	OEM Model No: 4530, 6674
Cylinder Head Type: FL	No. of Grooves: A1
Cylinder Head Port Angle: Vertical	Clutch Assembly No: Not Serviced
Cylinder Head Size/Thread: 3/4 x 7/8	Clutch Shaft Type: Long Key Shaft
Oil Amount: 210	Oil Type: SP20
Connector: 1 Wire male Bullet	System: R-134a

Part No: 1401333




Voltage: 12V	Material: Aluminum
Mount: Ear 8 Long	Model Type: SD5H14
Clutch Size: 5 3/16" (132mm)	OEM Model No: 6676
Cylinder Head Type: K	No. of Grooves: A2
Cylinder Head Port Angle: Horizontal	Clutch Assembly No: 6519-6010
Cylinder Head Size/Thread: 3/4 x 7/8	Clutch Shaft Type: SD5 Keyed Shaft
Oil Amount: 210	Oil Type: SP20
Connector: 1 Wire Male Bullet	System: R-134a

Part No: 1401334



Voltage: 12V	Material: Aluminum
Mount: Ear 8 Long	Model Type: SD7H15
Clutch Size: 5 1/8" (130mm)	OEM Model No: 4781
Cylinder Head Type: KC	No. of Grooves: PV8
Cylinder Head Port Angle: Horizontal	Clutch Assembly No: 6715-6110
Cylinder Head Size/Thread: 3/4 x 7/8	Clutch Shaft Type: Involute Spline 13 x 24 0.5
Oil Amount: 270	Oil Type: SP15
Connector: 1 Wire Male Packard #12065171	System: R-134a

Part No: 1401339



Voltage: 12V	Material: Aluminum
Mount: SD7 Direct Long	Model Type: SD7H15
Clutch Size: 4 15/16" (125mm)	OEM Model No: 4819
Cylinder Head Type: GH	No. of Grooves: PV6
Cylinder Head Port Angle: Horizontal	Clutch Assembly No: 4883-9931
Cylinder Head Size/Thread: O-Ring Compression	Clutch Shaft Type: Long Key Shaft
Oil Amount: 300	Oil Type: SP15
Connector: 2 Wire Female Packard #15300002	System: R-134a

Part No: 1401340



Voltage: 12V	Material: Aluminum
Mount: Ear 8 Long	Model Type: SD7H15
Clutch Size: 4 11/16" (119mm)	OEM Model No: 4820
Cylinder Head Type: GH	No. of Grooves: PV8
Cylinder Head Port Angle: Horizontal	Clutch Assembly No: 4705-9930
Cylinder Head Size/Thread: O-Ring Compression	Clutch Shaft Type: Long Key Shaft
Oil Amount: 300	Oil Type: SP15
Connector: 2 Wire Female Packard #15300002	System: R-134a

Sanden Style Compressors

Part No: 1401341



Voltage: 12V	Material: Aluminum
Mount: Ear 8 Long	Model Type: SD7H15
Clutch Size: 5 3/16" (132mm)	OEM Model No: 4821
Cylinder Head Type: GH	No. of Grooves: A2
Cylinder Head Port Angle: Horizontal	Clutch Assembly No: 4428-9931
Cylinder Head Size/Thread: O-Ring Compression	Clutch Shaft Type: Long Key Shaft
Oil Amount: 300	Oil Type: SP15
Connector: 2 Wire Female Packard #15300002	System: R-134a

Part No: 1401342



Voltage: 12V	Material: Aluminum
Mount: Ear 8 Long	Model Type: SD7H15
Clutch Size: 4 15/16" (125mm)	OEM Model No: 4484
Cylinder Head Type: JDA	No. of Grooves: A2
Cylinder Head Port Angle: Vertical	Clutch Assembly No: 7803-9931
Cylinder Head Size/Thread: 3/4 x 7/8	Clutch Shaft Type: Involute Spline 13 x 24 0.5
Oil Amount: 300	Oil Type: SP20
Connector: 2 Wire Female Packard #15300002	System: R-134a

Part No: 1401344



Voltage: 12V	Material: Aluminum
Mount: Ear 8 Long	Model Type: SD7H15
Clutch Size: 5 1/8" (130mm)	OEM Model No: 4700
Cylinder Head Type: KC	No. of Grooves: PV8
Cylinder Head Port Angle: Horizontal	Clutch Assembly No: 6557-6310
Cylinder Head Size/Thread: 3/4 x 7/8	Clutch Shaft Type: Long Key Shaft
Oil Amount: 300	Oil Type: SP15
Connector: 2 Wire Female Packard #15300002	System: R-134a

Part No: 1401346



Voltage: 12V	Material: Aluminum
Mount: SD7 Direct Long	Model Type: SD7H15
Clutch Size: 4 11/16" (119mm)	OEM Model No: 4485
Cylinder Head Type: GH	No. of Grooves: PV8
Cylinder Head Port Angle: Horizontal	Clutch Assembly No: 4705-9930
Cylinder Head Size/Thread: O-Ring Compression	Clutch Shaft Type: Long Key Shaft
Oil Amount: 300	Oil Type: SP15
Connector: 2 Wire Female Packard #15300002	System: R-134a

Part No: 1401347



Voltage: 12V	Material: Aluminum
Mount: Ear 8 Long	Model Type: SD7H15
Clutch Size: 4 11/16" (119mm)	OEM Model No: 4618
Cylinder Head Type: SJA	No. of Grooves: PV7
Cylinder Head Port Angle: Horizontal	Clutch Assembly No: 4618-9931
Cylinder Head Size/Thread: O-Ring	Clutch Shaft Type: Long Key Shaft
Oil Amount: 240	Oil Type: SP15
Connector: 2 Wire Female Packard #15300002	System: R-134a

Part No: 1401348



Voltage: 12V	Material: Aluminum
Mount: Ear 8 Long	Model Type: SD5H14HD
Clutch Size: 5 3/16" (132mm)	OEM Model No: 4513, 6631
Cylinder Head Type: M	No. of Grooves: A2
Cylinder Head Port Angle: Horizontal	Clutch Assembly No: 6514-6210, 6519-6010
Cylinder Head Size/Thread: 1 x 14	Clutch Shaft Type: Long Key Shaft
Oil Amount: 175	Oil Type: SP20
Connector: 1 Wire male Bullet	System: R-134a

Part No: 1401353



Voltage: 12V	Material: Aluminum
Mount: SD7 Direct Long	Model Type: SD7H15
Clutch Size: 4 11/16" (119mm)	OEM Model No: 4303
Cylinder Head Type: WH	No. of Grooves: PV8
Cylinder Head Port Angle: Vertical	Clutch Assembly No: 7731-9930
Cylinder Head Size/Thread: 3/4 x 7/8 Internal Thread	Clutch Shaft Type: Long Key Shaft
Oil Amount: 300	Oil Type: SP15
Connector: 3 Wire Delphi #15300003	System: R-134a

Part No: 1401354



Voltage: 12V	Material: Aluminum
Mount: SD7 Direct Long	Model Type: SD7H15
Clutch Size: 4 15/16" (125mm)	OEM Model No: 4304
Cylinder Head Type: WJ	No. of Grooves: PV6
Cylinder Head Port Angle: Vertical	Clutch Assembly No: 6574-6410
Cylinder Head Size/Thread: 3/4 x 7/8 Internal Thread	Clutch Shaft Type: Long Key Shaft
Oil Amount: 300	Oil Type: SP15
Connector: 2 Wire Ford F5TB-14A464-FA w/ Wedge	System: R-134a

Part No: 1401355



Voltage: 12V	Material: Aluminum
Mount: Ear 8 Long	Model Type: SD7H15
Clutch Size: 4 11/16" (119mm)	OEM Model No: 4305
Cylinder Head Type: WJ	No. of Grooves: PV8
Cylinder Head Port Angle: Vertical	Clutch Assembly No: 7731-9930
Cylinder Head Size/Thread: 3/4 x 7/8 Internal Thread	Clutch Shaft Type: Long Key Shaft
Oil Amount: 300	Oil Type: SP15
Connector: 2 Wire Ford F5TB-14A464-FA w/ Wedge	System: R-134a




Part No: 1401356




Voltage: 12V	Material: Aluminum
Mount: SD7 Direct Long	Model Type: SD7H15
Clutch Size: 5 3/16" (132mm)	OEM Model No: 4306
Cylinder Head Type: KCA	No. of Grooves: A2
Cylinder Head Port Angle: Horizontal	Clutch Assembly No: 4428-9931
Cylinder Head Size/Thread: 3/4 x 7/8	Clutch Shaft Type: Long Key Shaft
Oil Amount: 300	Oil Type: SP15
Connector: 2 Wire Female Packard #15300002	System: R-134a

Part No: 1401357



Voltage: 12V	Material: Aluminum
Mount: EAR	Model Type: SD7H15HD
Clutch Size: 4 11/16" (119mm)	OEM Model No: 4495
Cylinder Head Type: GV	No. of Grooves: PV8
Cylinder Head Port Angle: Vertical	Clutch Assembly No: 4420-9931
Cylinder Head Size/Thread: GM Pad Metric	Clutch Shaft Type: Long Key Shaft
Oil Amount: 300	Oil Type: SP15
Connector: 1 Wire male Packard	System: R-134a

Part No: 1401359




Voltage: 12V	Material: Aluminum
Mount: Ear 8 Long	Model Type: SD7H15
Clutch Size: 5 3/16" (132mm)	OEM Model No: 4472
Cylinder Head Type: GH	No. of Grooves: A2
Cylinder Head Port Angle: Horizontal	Clutch Assembly No: 4428-9931
Cylinder Head Size/Thread: O-Ring Compression	Clutch Shaft Type: Long Key Shaft
Oil Amount: 300	Oil Type: SP15
Connector: 2 Wire Female Packard #15300002	System: R-134a

Part No: 1401360




Voltage: 12V	Material: Aluminum
Mount: SD7 Direct Long	Model Type: SD7H15
Clutch Size: 4 15/16" (125mm)	OEM Model No: 4473
Cylinder Head Type: GH	No. of Grooves: PV6
Cylinder Head Port Angle: Horizontal	Clutch Assembly No: 4883-9931
Cylinder Head Size/Thread: O-Ring Compression	Clutch Shaft Type: Long Key Shaft
Oil Amount: 300	Oil Type: SP15
Connector: 2 Wire Female Packard #15300002	System: R-134a

Part No: 1401361



Voltage: 12V	Material: Aluminum
Mount: SD7 Direct Long	Model Type: SD7H15
Clutch Size: 4 11/16" (119mm)	OEM Model No: 4474
Cylinder Head Type: WH	No. of Grooves: PV8
Cylinder Head Port Angle: Vertical	Clutch Assembly No: 7731-9930
Cylinder Head Size/Thread: 3/4 x 7/8 Internal Thread	Clutch Shaft Type: Long Key Shaft
Oil Amount: 300	Oil Type: SP15
Connector: 2 Wire Ford F5TB-14A464-FA w/ Wedge	System: R-134a

Part No: 1401362



Voltage: 12V	Material: Aluminum
Mount: SD7 Direct Short	Model Type: SD7H15
Clutch Size: 5 1/8" (130mm)	OEM Model No: 4493
Cylinder Head Type: WV	No. of Grooves: PV8
Cylinder Head Port Angle: Horizontal	Clutch Assembly No: 6786-6110
Cylinder Head Size/Thread: O-Ring	Clutch Shaft Type: Long Key Shaft
Oil Amount: 300	Oil Type: SP15
Connector: 2 Wire Female Packard #15300002	System: R-134a

Part No: 1401364



Voltage: 12V	Material: Aluminum
Mount: Ear 8 Long	Model Type: SD7H15
Clutch Size: 4 11/16" (119mm)	OEM Model No: 4496
Cylinder Head Type: GV	No. of Grooves: PV8
Cylinder Head Port Angle: Vertical	Clutch Assembly No: 7731-9930
Cylinder Head Size/Thread: 3/4 x 7/8 Internal Thread	Clutch Shaft Type: Long Key Shaft
Oil Amount: 300	Oil Type: SP15
Connector: 2 Wire Ford F5TB-14A464-FA w/ Wedge	System: R-134a

Part No: 1401365



Voltage: 12V	Material: Aluminum
Mount: EAR	Model Type: SD7H15HD
Clutch Size: 5 3/16" (132mm)	OEM Model No: 4704, 4497
Cylinder Head Type: SJ	No. of Grooves: A2
Cylinder Head Port Angle: Horizontal	Clutch Assembly No: 4704-9931
Cylinder Head Size/Thread: Pad (QB)	Clutch Shaft Type: Involute Spline 13 x 24 0.5
Oil Amount: 300	Oil Type: SP15
Connector: 2 Wire Ford E7EB14A464	System: R-134a

Part No: 1401366



Voltage: 12V	Material: Aluminum
Mount: Ear 8 Long	Model Type: SD7H15SHD
Clutch Size: 4 15/16" (125mm)	OEM Model No: 4600
Cylinder Head Type: JD	No. of Grooves: PV6
Cylinder Head Port Angle: Vertical	Clutch Assembly No: 4600-9931
Cylinder Head Size/Thread: 3/4 x 7/8	Clutch Shaft Type: Long Key Shaft
Oil Amount: 270	Oil Type: SP15
Connector: 2 Wire AMP 180908	System: R-134a

Sanden Style Compressors

COMPRESSORS

Part No: 1401367



Voltage: 12V	Material: Aluminum
Mount: EAR	Model Type: SD7H15SHD
Clutch Size: 5 3/16" (132mm)	OEM Model No: 4617
Cylinder Head Type: MD	No. of Grooves: A2
Cylinder Head Port Angle: Horizontal	Clutch Assembly No: 4617-9931
Cylinder Head Size/Thread: 1 x 14	Clutch Shaft Type: Long Key Shaft
Oil Amount: 300	Oil Type: SP15
Connector: 1 Wire male Bullet	System: R-134a

Part No: 1401371



Voltage: 12V	Material: Aluminum
Mount: SD7 Direct Long	Model Type: SD7H15
Clutch Size: 4 11/16" (119mm)	OEM Model No: 4667
Cylinder Head Type: KCA	No. of Grooves: PV8
Cylinder Head Port Angle: Horizontal	Clutch Assembly No: 4705-9930
Cylinder Head Size/Thread: 3/4 x 7/8	Clutch Shaft Type: Long Key Shaft
Oil Amount: 300	Oil Type: SP15
Connector: 2 Wire Female Packard #15300002	System: R-134a

Part No: 1401373



Voltage: 12V	Material: Aluminum
Mount: Ear 8 Long	Model Type: SD7H15
Clutch Size: 4 11/16" (119mm)	OEM Model No: 4711
Cylinder Head Type: JD	No. of Grooves: PV8
Cylinder Head Port Angle: Vertical	Clutch Assembly No: 6522-6010
Cylinder Head Size/Thread: 3/4 x 7/8	Clutch Shaft Type: Long Key Shaft
Oil Amount: 135	Oil Type: SP15
Connector: 1 Wire Male Bullet	System: R-134a

Part No: 1401374



Voltage: 12V	Material: Aluminum
Mount: Ear 8 Long	Model Type: SD7H15HD
Clutch Size: 4 11/16" (119mm)	OEM Model No: 4739
Cylinder Head Type: KG	No. of Grooves: PV8
Cylinder Head Port Angle: Horizontal	Clutch Assembly No: 4776-9931
Cylinder Head Size/Thread: 3/4 x 7/8	Clutch Shaft Type: Long Key Shaft
Oil Amount: 300	Oil Type: SP15
Connector: 2 pin Metripack truck	System: R-134a

Part No: 1401375



Voltage: 12V	Material: Aluminum
Mount: Ear 8 Long	Model Type: SD7H15HD
Clutch Size: 4 15/16" (125mm)	OEM Model No: 4779, 4896
Cylinder Head Type: JD	No. of Grooves: A2
Cylinder Head Port Angle: Vertical	Clutch Assembly No: 4779-9931, 4896-9931
Cylinder Head Size/Thread: 3/4 x 7/8	Clutch Shaft Type: Involute Spline 13 x 24 0.5
Oil Amount: 300	Oil Type: SP15
Connector: 1 Wire male Packard/15300002	System: R-134a

Part No: 1401377



Voltage: 12V	Material: Aluminum
Mount: Direct ADM/LDM	Model Type: SD7H15HD
Clutch Size: 4 15/16" (125mm)	OEM Model No: 4810
Cylinder Head Type: WJ	No. of Grooves: PV6
Cylinder Head Port Angle: Vertical	Clutch Assembly No: 4810-9931
Cylinder Head Size/Thread: Pad Top	Clutch Shaft Type: Long Key Shaft
Oil Amount: 300	Oil Type: SP15
Connector: 2 Wire Ford F5TB14A464	System: R-134a

Part No: 1401378



Voltage: 12V	Material: Aluminum
Mount: SD7 Direct Short	Model Type: SD7H15
Clutch Size: 5 1/8" (130mm)	OEM Model No: 4823
Cylinder Head Type: KC	No. of Grooves: PV8
Cylinder Head Port Angle: Horizontal	Clutch Assembly No: 6715-6110
Cylinder Head Size/Thread: 3/4 x 7/8	Clutch Shaft Type: Involute Spline 13 x 24 0.5
Oil Amount: 300	Oil Type: SP15
Connector: 1 Wire Male Packard #12065171	System: R-134a

Part No: 1401379



Voltage: 12V	Material: Aluminum
Mount: SD7 Direct Long	Model Type: SD7H15
Clutch Size: 5 3/16" (132mm)	OEM Model No: 4890
Cylinder Head Type: WV	No. of Grooves: A2
Cylinder Head Port Angle: Horizontal	Clutch Assembly No: 6785-6210
Cylinder Head Size/Thread: O-Ring	Clutch Shaft Type: Long Key Shaft
Oil Amount: 300	Oil Type: SP15
Connector: 2 Wire Female Packard #15300002	System: R-134a

Part No: 1401380



Voltage: 12V	Material: Aluminum
Mount: Ear 8 Long	Model Type: SD7H15
Clutch Size: 5 3/16" (132mm)	OEM Model No: 4893
Cylinder Head Type: WV	No. of Grooves: A2
Cylinder Head Port Angle: Horizontal	Clutch Assembly No: 6785-6210
Cylinder Head Size/Thread: O-Ring	Clutch Shaft Type: Long Key Shaft
Oil Amount: 300	Oil Type: SP15
Connector: 2 Wire Female Packard #15300002	System: R-134a



Part No: 1401382	
Voltage: 12V	Material: Aluminum
Mount: Ear 8 Long	Model Type: SD7H15
Clutch Size: 5 1/8" (130mm)	OEM Model No: 4895
Cylinder Head Type: KC	No. of Grooves: PV8
Cylinder Head Port Angle: Horizontal	Clutch Assembly No: 6786-6110
Cylinder Head Size/Thread: 3/4 x 7/8	Clutch Shaft Type: Long Key Shaft
Oil Amount: 300	Oil Type: SP15
Connector: 2 Wire Female Packard #15300002	System: R-134a



Part No: 1401383	
Voltage: 12V	Material: Aluminum
Mount: Ear 8 Long	Model Type: SD7H15HD
Clutch Size: 4 15/16" (125mm)	OEM Model No: 4779, 4896
Cylinder Head Type: JD	No. of Grooves: A2
Cylinder Head Port Angle: Vertical	Clutch Assembly No: 4779-9931, 4896-9931
Cylinder Head Size/Thread: 3/4 x 7/8	Clutch Shaft Type: Involute Spline 13 x 24 0.5
Oil Amount: 300	Oil Type: SP15
Connector: 1 Wire male Packard/15300002	System: R-134a



Part No: 1401384	
Voltage: 12V	Material: Aluminum
Mount: Ear 8 Long	Model Type: SD7H15
Clutch Size: 4 11/16" (119mm)	OEM Model No: 7822
Cylinder Head Type: MDA	No. of Grooves: PV8
Cylinder Head Port Angle: Horizontal	Clutch Assembly No: 6522-6010
Cylinder Head Size/Thread: 1 x 14	Clutch Shaft Type: Long Key Shaft
Oil Amount: 240	Oil Type: SP15
Connector: 1 Wire Male Bullet	System: R-134a



Part No: 1401386	
Voltage: 12V	Material: Aluminum
Mount: SD7 Direct Short	Model Type: SD7H15
Clutch Size: 4 11/16" (119mm)	OEM Model No: 4775
Cylinder Head Type: GH	No. of Grooves: PV8
Cylinder Head Port Angle: Horizontal	Clutch Assembly No: 6710-6310
Cylinder Head Size/Thread: O-Ring Compression	Clutch Shaft Type: Involute Spline 13 x 24 0.5
Oil Amount: 240	Oil Type: SP15
Connector: 2 Wire Chrysler #4687921	System: R-134a



Part No: 1401389	
Voltage: 12V	Material: Aluminum
Mount: SD7 Direct Long	Model Type: SD7H15
Clutch Size: 4 11/16" (119mm)	OEM Model No: 4418
Cylinder Head Type: 4418	No. of Grooves: PV8
Cylinder Head Port Angle: Vertical	Clutch Assembly No: 4705-9930
Cylinder Head Size/Thread: O-Ring Compression	Clutch Shaft Type: Long Key Shaft
Oil Amount: 300	Oil Type: SP15
Connector: 2 Wire Female Packard #15300002	System: R-134a



Part No: 1401390	
Voltage: 12V	Material: Aluminum
Mount: SD7 Direct Long	Model Type: SD7H15
Clutch Size: 4 11/16" (119mm)	OEM Model No: 4042
Cylinder Head Type: GQ	No. of Grooves: PV8
Cylinder Head Port Angle: Vertical	Clutch Assembly No: 4705-9930
Cylinder Head Size/Thread: O-Ring Compression	Clutch Shaft Type: Long Key Shaft
Oil Amount: 300	Oil Type: SP15
Connector: 2 Wire Female Packard #15300002	System: R-134a



Part No: 1401391	
Voltage: 12V	Material: Aluminum
Mount: Ear 8 Short	Model Type: SD5H09STD
Clutch Size: 4 15/16" (125mm)	OEM Model No: 5072
Cylinder Head Type: FL	No. of Grooves: A2
Cylinder Head Port Angle: Vertical	Clutch Assembly No: 9301-6011
Cylinder Head Size/Thread: 3/4 x 7/8	Clutch Shaft Type: SD5 Keyed Shaft
Oil Amount: 100	Oil Type: SP20
Connector: 1 Wire male Bullet	System: R-134a



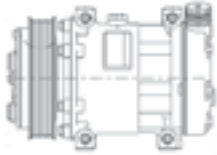
Part No: 1401392	
Voltage: 12V	Material: Aluminum
Mount: Ear 8 Short	Model Type: SD5H09STD
Clutch Size: 4 15/16" (125mm)	OEM Model No: 5077
Cylinder Head Type: K	No. of Grooves: A2
Cylinder Head Port Angle: Horizontal	Clutch Assembly No: 9301-6010
Cylinder Head Size/Thread: 3/4 x 7/8	Clutch Shaft Type: SD5 Keyed Shaft
Oil Amount: 100	Oil Type: SP20
Connector: 1 Wire male Bullet	System: R-134a



Part No: 1401396	
Voltage: 12V	Material: Aluminum
Mount: Direct ADM/LDM	Model Type: SD7H15SPRHD
Clutch Size: 5 1/2" (140mm)	OEM Model No: 4543, 4082
Cylinder Head Type: GH	No. of Grooves: PV8
Cylinder Head Port Angle: Horizontal	Clutch Assembly No: 4802-9931
Cylinder Head Size/Thread: Pad	Clutch Shaft Type: Long Key Shaft
Oil Amount: 300	Oil Type: SP15
Connector: 15300002	System: R-134a

Sanden Style Compressors

Part No: 1401397



Voltage: 12V	Material: Aluminum
Mount: SD7 Direct Long	Model Type: SD7H15
Clutch Size: 4 15/16" (125mm)	OEM Model No: 4883
Cylinder Head Type: JD	No. of Grooves: PV6
Cylinder Head Port Angle: Vertical	Clutch Assembly No: 4883-9931
Cylinder Head Size/Thread: 3/4 x 7/8	Clutch Shaft Type: Long Key Shaft
Oil Amount: 300	Oil Type: SP15
Connector: 2 Wire Female Packard #15300002	System: R-134a

Part No: 1401399



Voltage: 12V	Material: Aluminum
Mount: SD7 Direct Long	Model Type: SD7H15
Clutch Size: 4 11/16" (119mm)	OEM Model No: 4482
Cylinder Head Type: MDA	No. of Grooves: PV8
Cylinder Head Port Angle: Horizontal	Clutch Assembly No: 4705-9930
Cylinder Head Size/Thread: 1 x 14	Clutch Shaft Type: Long Key Shaft
Oil Amount: 300	Oil Type: SP15
Connector: 2 Wire Female Packard #15300002	System: R-134a

Part No: 1401400



Voltage: 12V	Material: Aluminum
Mount: Ear 8 Long	Model Type: SD7H15
Clutch Size: 5 1/8" (130mm)	OEM Model No: 4490
Cylinder Head Type: WV	No. of Grooves: PV8
Cylinder Head Port Angle: Horizontal	Clutch Assembly No: 6557-6310
Cylinder Head Size/Thread: O-Ring	Clutch Shaft Type: Long Key Shaft
Oil Amount: 300	Oil Type: SP15
Connector: 2 Wire Female Packard #15300002	System: R-134a

Part No: 1401401



Voltage: 12V	Material: Aluminum
Mount: Direct TDM/SDM	Model Type: SD7H15HD
Clutch Size: 5 1/8" (130mm)	OEM Model No: 4332
Cylinder Head Type: SJA	No. of Grooves: PV7
Cylinder Head Port Angle: Horizontal	Clutch Assembly No: 4754-9930
Cylinder Head Size/Thread: Pad (QB)	Clutch Shaft Type: Involute Spline 13 x 24 0.5
Oil Amount: 240	Oil Type: SP15
Connector: 12V177071	System: R-134a

Part No: 1401402



Voltage: 12V	Material: Aluminum
Mount: Ear 8 Long	Model Type: SD7H15HD
Clutch Size: 5 1/16" (128mm)	OEM Model No: 4467
Cylinder Head Type: UK	No. of Grooves: PV6
Cylinder Head Port Angle: Vertical	Clutch Assembly No: 6746-6010
Cylinder Head Size/Thread: Pad (U)	Clutch Shaft Type: Long Key Shaft
Oil Amount: 390	Oil Type: SP15
Connector: 15300002	System: R-134a

Part No: 1401403



Voltage: 12V	Material: Aluminum
Mount: Ear 8 Long	Model Type: SD7H15
Clutch Size: 5 3/16" (132mm)	OEM Model No: 4318
Cylinder Head Type: UK	No. of Grooves: A2
Cylinder Head Port Angle: Vertical	Clutch Assembly No: 6795-6110
Cylinder Head Size/Thread: O-Ring	Clutch Shaft Type: Long Key Shaft
Oil Amount: 155	Oil Type: SP15
Connector: 2 Wire Female Packard #15300002 w/ Jumper #4315-0400	System: R-134a

Part No: 1401404



Voltage: 12V	Material: Aluminum
Mount: SD7 Direct Long	Model Type: SD7H15
Clutch Size: 4 15/16" (125mm)	OEM Model No: 4039
Cylinder Head Type: GSA	No. of Grooves: PV6
Cylinder Head Port Angle: Vertical	Clutch Assembly No: 4883-9931
Cylinder Head Size/Thread: O-Ring Compression	Clutch Shaft Type: Long Key Shaft
Oil Amount: 300	Oil Type: SP15
Connector: 2 Wire Female Packard #15300002	System: R-134a

Part No: 1401405



Voltage: 12V	Material: Aluminum
Mount: SD7 Direct Long	Model Type: SD7H15
Clutch Size: 4 15/16" (125mm)	OEM Model No: 4040
Cylinder Head Type: GQ	No. of Grooves: PV6
Cylinder Head Port Angle: Vertical	Clutch Assembly No: 4883-9931
Cylinder Head Size/Thread: O-Ring Compression	Clutch Shaft Type: Long Key Shaft
Oil Amount: 300	Oil Type: SP15
Connector: 2 Wire Female Packard #15300002	System: R-134a


Part No: 1401406



Voltage: 12V	Material: Aluminum
Mount: Ear 8 Long	Model Type: SD7H15
Clutch Size: 4 15/16" (125mm)	OEM Model No: 4041, 4426, 4696
Cylinder Head Type: GQ	No. of Grooves: A2
Cylinder Head Port Angle: Vertical	Clutch Assembly No: Not Serviced
Cylinder Head Size/Thread: O-Ring Compression	Clutch Shaft Type: Long Key Shaft
Oil Amount: 300	Oil Type: SP15
Connector: 2 Wire Female Packard #15300002	System: R-134a




Part No: 1401407




Voltage: 12V	Material: Aluminum
Mount: SD7 Direct Long	Model Type: SD7H15
Clutch Size: 4 11/16" (119mm)	OEM Model No: 4544
Cylinder Head Type: GWA	No. of Grooves: PV8
Cylinder Head Port Angle: Horizontal	Clutch Assembly No: 4705-9930
Cylinder Head Size/Thread: O-Ring Compression	Clutch Shaft Type: Long Key Shaft
Oil Amount: 300	Oil Type: SP15
Connector: 2 Wire Female Packard #15300002	System: R-134a

Part No: 1401408




Voltage: 12V	Material: Aluminum
Mount: Direct ADM/LDM	Model Type: SD7H15HD
Clutch Size: 4 11/16" (119mm)	OEM Model No: 4028
Cylinder Head Type: GV	No. of Grooves: PV8
Cylinder Head Port Angle: Horizontal	Clutch Assembly No: 4420-9931
Cylinder Head Size/Thread: GM Pad Metric	Clutch Shaft Type: Long Key Shaft
Oil Amount: 250	Oil Type: SP15
Connector: 12V015791	System: R-134a

Part No: 1401409




Voltage: 12V	Material: Aluminum
Mount: SD7 Direct Long	Model Type: SD7H15
Clutch Size: 4 11/16" (119mm)	OEM Model No: 4034
Cylinder Head Type: GV	No. of Grooves: PV10
Cylinder Head Port Angle: Horizontal	Clutch Assembly No: 4347-9930
Cylinder Head Size/Thread: O-Ring	Clutch Shaft Type: Long Key Shaft
Oil Amount: 300	Oil Type: SP15
Connector: 2 Wire Female Packard #15300002	System: R-134a

Part No: 1401410




Voltage: 12V	Material: Aluminum
Mount: Direct	Model Type: SD7H15SPRHD
Clutch Size: 4 15/16" (125mm)	OEM Model No: 4549, 4076
Cylinder Head Type: GH	No. of Grooves: PV6
Cylinder Head Port Angle: Horizontal	Clutch Assembly No: 4376-9931
Cylinder Head Size/Thread: Pad	Clutch Shaft Type: Long Key Shaft
Oil Amount: 300	Oil Type: SP15
Connector: 15300002	System: R-134a

Part No: 1401411



Voltage: 12V	Material: Aluminum
Mount: SD7 Direct Long	Model Type: SD7H15
Clutch Size: 4 15/16" (125mm)	OEM Model No: 4027
Cylinder Head Type: GV	No. of Grooves: PV6
Cylinder Head Port Angle: Horizontal	Clutch Assembly No: 6574-6010
Cylinder Head Size/Thread: O-Ring	Clutch Shaft Type: Long Key Shaft
Oil Amount: 250	Oil Type: SP15
Connector: 1 Wire Male Packard #12015791 w/ Diode	System: R-134a

Part No: 1401413




Voltage: 12V	Material: Aluminum
Mount: Direct ADM/LDM	Model Type: SD7H15SPRHD
Clutch Size: 4 11/16" (119mm)	OEM Model No: 4368, 4077
Cylinder Head Type: GQ	No. of Grooves: PV8
Cylinder Head Port Angle: Vertical	Clutch Assembly No: 4368-9931
Cylinder Head Size/Thread: Pad @ 90	Clutch Shaft Type: Long Key Shaft
Oil Amount: 300	Oil Type: SP15
Connector: 15300002	System: R-134a

Part No: 1401414



Voltage: 12V	Material: Aluminum
Mount: Direct TDM/SDM	Model Type: SD7H15SPRHD
Clutch Size: 4 15/16" (125mm)	OEM Model No: 4080, 4377
Cylinder Head Type: GQ	No. of Grooves: PV6
Cylinder Head Port Angle: Vertical	Clutch Assembly No: 4376-9931
Cylinder Head Size/Thread: Pad @ 90	Clutch Shaft Type: Long Key Shaft
Oil Amount: 300	Oil Type: SP15
Connector: 2 pin Metripack truck	System: R-134a

Part No: 1401415



Voltage: 12V	Material: Aluminum
Mount: Ear 8 Long	Model Type: SD7H15SPRHD
Clutch Size: 4 15/16" (125mm)	OEM Model No: 4383, 4089
Cylinder Head Type: GQ	No. of Grooves: A2
Cylinder Head Port Angle: Vertical	Clutch Assembly No: 4383-9931
Cylinder Head Size/Thread: Pad @ 90	Clutch Shaft Type: Long Key Shaft
Oil Amount: 300	Oil Type: SP15
Connector: 15300002	System: R-134a

Part No: 1401416




Voltage: 12V	Material: Aluminum
Mount: Direct TDM/SDM	Model Type: SD7H15SPRHD
Clutch Size: 5" (127mm)	OEM Model No: 4078, 4370
Cylinder Head Type: GQ	No. of Grooves: PV12/PV10
Cylinder Head Port Angle: Vertical	Clutch Assembly No: 4370-9931
Cylinder Head Size/Thread: Pad @ 90	Clutch Shaft Type: Long Key Shaft
Oil Amount: 240	Oil Type: SP15
Connector: 2 pin Metripack truck	System: R-134a

Sanden Style Compressors


COMPRESSORS

Part No: 1401417




Voltage: 12V	Material: Aluminum
Mount: Direct ADM/LDM	Model Type: SD7H15SPRHD
Clutch Size: 4 7/8" (124mm)	OEM Model No: 4398, 4081
Cylinder Head Type: GSA	No. of Grooves: PV8
Cylinder Head Port Angle: Vertical	Clutch Assembly No: 4368-9931
Cylinder Head Size/Thread: Pad	Clutch Shaft Type: Long Key Shaft
Oil Amount: 300	Oil Type: SP15
Connector: 15300002	System: R-134a

Part No: 1401418




Voltage: 12V	Material: Aluminum
Mount: Direct	Model Type: SD7H15SPRHD
Clutch Size: 4 11/16" (119mm)	OEM Model No: 4548, 4083
Cylinder Head Type: WH	No. of Grooves: PV8
Cylinder Head Port Angle: Vertical	Clutch Assembly No: 4417-9931, 4420-9931, 4705-9930
Cylinder Head Size/Thread: Pad (U) @ 45 internal 3/4 x 7/8	Clutch Shaft Type: Long Key Shaft
Oil Amount: 300	Oil Type: SP15
Connector: 15300002	System: R-134a

Part No: 1401419




Voltage: 12V	Material: Aluminum
Mount: SD7 Direct Short	Model Type: SD7H15
Clutch Size: 4 15/16" (125mm)	OEM Model No: 4804
Cylinder Head Port Angle: Vertical	No. of Grooves: PV10
Cylinder Head Size/Thread: O-Ring Compression	Clutch Assembly No: 4369-9931
Oil Amount: 300	Clutch Shaft Type: Long Key Shaft
Connector: 2 Wire Female Packard #15300002	Oil Type: SP15
System: R-134a	

Part No: 1401420



Voltage: 12V	Material: Aluminum
Mount: Direct ADM/LDM	Model Type: SD7H15SPRHD
Clutch Size: 4 11/16" (119mm)	OEM Model No: 4808, 4084
Cylinder Head Type: MDA	No. of Grooves: PV8
Cylinder Head Port Angle: Horizontal	Clutch Assembly No: 4368-9931
Cylinder Head Size/Thread: 1 x 14	Clutch Shaft Type: Long Key Shaft
Oil Amount: 300	Oil Type: SP15
Connector: 15300002	System: R-134a

Part No: 1401421




Voltage: 12V	Material: Aluminum
Mount: SD7 Direct Long	Model Type: SD7H15
Clutch Size: 4 11/16" (119mm)	OEM Model No: 4307
Cylinder Head Type: WJ	No. of Grooves: PV8
Cylinder Head Port Angle: Vertical	Clutch Assembly No: 4705-9930
Cylinder Head Size/Thread: 3/4 x 7/8 Internal Thread	Clutch Shaft Type: Long Key Shaft
Oil Amount: 300	Oil Type: SP15
Connector: 2 Wire Female Packard #15300002	System: R-134a

Part No: 1401422




Voltage: 12V	Material: Aluminum
Mount: SD7 Direct Long	Model Type: SD7H15
Clutch Size: 4 11/16" (119mm)	OEM Model No: 4347
Cylinder Head Type: 4347	No. of Grooves: PV10
Cylinder Head Port Angle: Vertical	Clutch Assembly No: 4347-9930
Cylinder Head Size/Thread: O-Ring Compression	Clutch Shaft Type: Long Key Shaft
Oil Amount: 300	Oil Type: SP15
Connector: 2 Wire Female Packard #15300002	System: R-134a

Part No: 1401423




Voltage: 12V	Material: Aluminum
Mount: Ear 8 Long	Model Type: SD7H15
Clutch Size: 4 15/16" (125mm)	OEM Model No: 4392
Cylinder Head Type: JDA	No. of Grooves: A2
Cylinder Head Port Angle: Vertical	Clutch Assembly No: 4383-9931
Cylinder Head Size/Thread: 3/4 x 7/8	Clutch Shaft Type: Long Key Shaft
Oil Amount: 300	Oil Type: SP15
Connector: 2 Wire Female Packard #15300002	System: R-134a

Part No: 1401424



Voltage: 12V	Material: Aluminum
Mount: SD7 Direct Short	Model Type: SD7H15
Clutch Size: 4 15/16" (125mm)	OEM Model No: 4087
Cylinder Head Type: GSA	No. of Grooves: PV7
Cylinder Head Port Angle: Vertical	Clutch Assembly No: 4379-9931
Cylinder Head Size/Thread: O-Ring Compression	Clutch Shaft Type: Long Key Shaft
Oil Amount: 300	Oil Type: SP15
Connector: 2 Wire Female Packard #15300002	System: R-134a

Part No: 1401425




Voltage: 12V	Material: Aluminum
Mount: Direct TDM/SDM	Model Type: SD7H15SPRHD
Clutch Size: 5" (127mm)	OEM Model No: 4381, 4088
Cylinder Head Type: MDA	No. of Grooves: PV12
Cylinder Head Port Angle: Horizontal	Clutch Assembly No: 4370-9931
Cylinder Head Size/Thread: 1 x 14	Clutch Shaft Type: Long Key Shaft
Oil Amount: 300	Oil Type: SP15
Connector: 15300002	System: R-134a

Sanden Style Compressors




Part No: 1401426



Voltage: 12V	Material: Aluminum
Mount: SD7 Direct Long	Model Type: SD7H15
Clutch Size: 4 15/16" (125mm)	OEM Model No: 4546
Cylinder Head Type: GWA	No. of Grooves: PV6
Cylinder Head Port Angle: Horizontal	Clutch Assembly No: 4883-9931
Cylinder Head Size/Thread: O-Ring Compression	Clutch Shaft Type: Long Key Shaft
Oil Amount: 300	Oil Type: SP15
Connector: 2 Wire Female Packard #15300002	System: R-134a

Part No: 1401427




Voltage: 12V	Material: Aluminum
Mount: SD7 Direct Long	Model Type: SD7H15
Clutch Size: 4 15/16" (125mm)	OEM Model No: 4494
Cylinder Head Type: WV	No. of Grooves: PV6
Cylinder Head Port Angle: Horizontal	Clutch Assembly No: 4891-9931
Cylinder Head Size/Thread: O-Ring	Clutch Shaft Type: Long Key Shaft
Oil Amount: 300	Oil Type: SP15
Connector: 2 Wire Female Packard #15300002	System: R-134a

Part No: 1401428




Voltage: 12V	Material: Aluminum
Mount: SD7 Direct Long	Model Type: SD7H15
Clutch Size: 4 11/16" (119mm)	OEM Model No: 4075
Cylinder Head Type: GH	No. of Grooves: PV8
Cylinder Head Port Angle: Horizontal	Clutch Assembly No: 4368-9931
Cylinder Head Size/Thread: O-Ring Compression	Clutch Shaft Type: Long Key Shaft
Oil Amount: 300	Oil Type: SP15
Connector: 2 Wire Female Packard #15300002	System: R-134a

Part No: 1401429



Voltage: 12V	Material: Aluminum
Mount: Ear 8 Long	Model Type: SD7H15
Clutch Size: 6" (152mm)	OEM Model No: 4308
Cylinder Head Type: GV	No. of Grooves: A2
Cylinder Head Port Angle: Horizontal	Clutch Assembly No: 6776-6210
Cylinder Head Size/Thread: 3/4 x 7/8	Clutch Shaft Type: Long Key Shaft
Oil Amount: 135	Oil Type: SP15
Connector: 1 Wire Male Packard #12015791 W/ Diode	System: R-134a

Part No: 1401432




Voltage: 12V	Material: Aluminum
Mount: Direct ADM/LDM	Model Type: SD7H15SPRHD
Clutch Size: 4 11/16" (119mm)	OEM Model No: 4090, 4391
Cylinder Head Type: KCA	No. of Grooves: PV8
Cylinder Head Port Angle: Horizontal	Clutch Assembly No: 4368-9931
Cylinder Head Size/Thread: 3/4 x 7/8	Clutch Shaft Type: Long Key Shaft
Oil Amount: 300	Oil Type: SP15
Connector: 2 pin Metripack truck/15300002	System: R-134a

Part No: 1401433



Voltage: 12V	Material: Aluminum
Mount: Ear 8 Long	Model Type: SD7H15
Clutch Size: 4 11/16" (119mm)	OEM Model No: 4653
Cylinder Head Type: CBA	No. of Grooves: PV6
Cylinder Head Port Angle: Vertical	Clutch Assembly No: 6516-6210
Cylinder Head Size/Thread: 1 x 14	Clutch Shaft Type: Long Key Shaft
Oil Amount: 175	Oil Type: SP15
Connector: 2 Wire Ford E7EB-14A464-DA w/ Wedge	System: R-134a

Part No: 1401435



Voltage: 12V	Material: Aluminum
Mount: Direct TDM/SDM	Model Type: SD7H15SPRHD
Clutch Size: 4 15/16" (125mm)	OEM Model No: 4079, 4376
Cylinder Head Type: GSA	No. of Grooves: PV6
Cylinder Head Port Angle: Vertical	Clutch Assembly No: 4376-9931
Cylinder Head Size/Thread: Pad	Clutch Shaft Type: Long Key Shaft
Oil Amount: 300	Oil Type: SP15
Connector: 2 pin Metripack truck/15300002	System: R-134a

Part No: 1401436



Voltage: 24V	Material: Aluminum
Mount: Direct ADM/LDM	Model Type: SD7H15 Enhanced
Clutch Size: 4 15/16" (125mm)	OEM Model No: 4052
Cylinder Head Type: GV	No. of Grooves: A2
Cylinder Head Port Angle: Horizontal	Clutch Assembly No: Not Serviced
Cylinder Head Size/Thread: GM Pad Metric	Clutch Shaft Type: Long Key Shaft
Oil Amount: 300	Oil Type: SP15
Connector: 1 Wire male Packard	System: R-134a

Part No: 1401437



Voltage: 12V	Material: Aluminum
Mount: SD7 Direct Short	Model Type: SD7H15
Clutch Size: 7 1/16" (180mm)	OEM Model No: 4326
Cylinder Head Type: WV	No. of Grooves: PV8
Cylinder Head Port Angle: Horizontal	Clutch Assembly No: Not Serviced
Cylinder Head Size/Thread: O-Ring	Clutch Shaft Type: Long Key Shaft
Oil Amount: 300	Oil Type: SP15
Connector: 2 Wire Female Packard #15300002	System: R-134a

Sanden Style Compressors

COMPRESSORS

Part No: 1401438



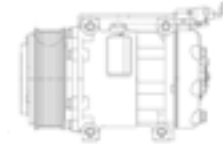
Voltage: 12V	Material: Aluminum
Mount: SD7 Direct Short	Model Type: SD7H15
Clutch Size: 5 1/2" (140mm)	OEM Model No: 4108U
Cylinder Head Type: 4802	No. of Grooves: PV8
Cylinder Head Port Angle: Vertical	Clutch Assembly No: 4802-9931
Cylinder Head Size/Thread: O-Ring Compression	Clutch Shaft Type: Long Key Shaft
Oil Amount: 300	Oil Type: SP15
Connector: 2 Wire Female Packard #15300002	System: R-134a

Part No: 1401440



Voltage: 12V	Material: Aluminum
Mount: SD7 Direct GM	Model Type: SD7H15HD
Clutch Size: 4 11/16" (119mm)	OEM Model No: 4362, 4796
Cylinder Head Type: GT	No. of Grooves: PV7
Cylinder Head Port Angle: Vertical	Clutch Assembly No: 4796-9930
Cylinder Head Size/Thread: O-Ring Compression	Clutch Shaft Type: Involute Spline 13 x 24 0.5
Oil Amount: 240	Oil Type: SP15
Connector: 2 Wire Female Packard #12177071	System: R-134a

Part No: 1401442



Voltage: 12V	Material: Aluminum
Mount: Direct Long	Model Type: SD7H15SPRHD
Clutch Size: 4 11/16" (119mm)	OEM Model No: 4073, 4025
Cylinder Head Type: WH	No. of Grooves: PV8
Cylinder Head Port Angle: Vertical	Clutch Assembly No: 4368-9931
Cylinder Head Size/Thread: Pad (U) @ 45 internal 3/4 x 7/8	Clutch Shaft Type: Long Key Shaft
Oil Amount: 300	Oil Type: SP15
Connector: 3 Wire Delphi 15300003	System: R-134a

Part No: 1401443



Voltage: 12V	Material: Aluminum
Mount: SD7 Direct Short	Model Type: SD7H15SPRHD
Clutch Size: 4 15/16" (125mm)	OEM Model No: 4120U
Cylinder Head Type: WV	No. of Grooves: PV6
Cylinder Head Port Angle: Horizontal	Clutch Assembly No: 4376-9931
Cylinder Head Size/Thread: O-Ring	Clutch Shaft Type: Long Key Shaft
Oil Amount: 300	Oil Type: SP15
Connector: 2 Wire Female Packard #15300002	System: R-134a

Part No: 1401444



Voltage: 12V	Material: Aluminum
Mount: Direct Short	Model Type: SD7H15SPRHD
Clutch Size: 5 1/8" (130mm)	OEM Model No: 4286, 4117U
Cylinder Head Type: WV	No. of Grooves: PV8
Cylinder Head Port Angle: Horizontal	Clutch Assembly No: Not Serviced
Oil Amount: 300	Clutch Shaft Type: Long Key Shaft
Connector: 15300002	Oil Type: SP15
System: R-134a	

Part No: 1401445



Voltage: 12V	Material: Aluminum
Mount: SD7 Direct Long	Model Type: SD7H15
Clutch Size: 4 11/16" (119mm)	OEM Model No: 4322
Cylinder Head Type: GSA	No. of Grooves: PV8
Cylinder Head Port Angle: Vertical	Clutch Assembly No: 4705-9930
Cylinder Head Size/Thread: O-Ring Compression	Clutch Shaft Type: Long Key Shaft
Oil Amount: 300	Oil Type: SP15
Connector: 2 Wire Female Packard #15300002	System: R-134a

Part No: 1401446



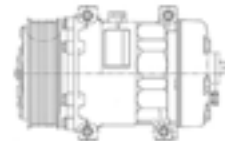
Voltage: 12V	Material: Aluminum
Mount: SD7 Direct Short	Model Type: SD7H15
Clutch Size: 4 15/16" (125mm)	OEM Model No: 4384
Cylinder Head Type: GQ	No. of Grooves: PV10
Cylinder Head Port Angle: Vertical	Clutch Assembly No: 4369-9931
Cylinder Head Size/Thread: O-Ring Compression	Clutch Shaft Type: Long Key Shaft
Oil Amount: 300	Oil Type: SP15
Connector: 2 Wire Female Packard #15300002	System: R-134a

Part No: 1401447



Voltage: 12V	Material: Aluminum
Mount: Ear 8 Long	Model Type: SD7H15
Clutch Size: 4 15/16" (125mm)	OEM Model No: 4408, 4091
Cylinder Head Type: GSA	No. of Grooves: PV6
Cylinder Head Port Angle: Vertical	Clutch Assembly No: 4376-9931
Cylinder Head Size/Thread: O-Ring Compression	Clutch Shaft Type: Long Key Shaft
Oil Amount: 300	Oil Type: SP15
Connector: 2 Wire Female Packard #15300002	System: R-134a

Part No: 1401448



Voltage: 12V	Material: Aluminum
Mount: Direct ADM/LDM	Model Type: SD7H15HD
Clutch Size: 4 11/16" (119mm)	OEM Model No: 4420
Cylinder Head Type: GV	No. of Grooves: PV8
Cylinder Head Port Angle: Horizontal	Clutch Assembly No: 4420-9931
Cylinder Head Size/Thread: GM Pad Metric	Clutch Shaft Type: Long Key Shaft
Oil Amount: 200	Oil Type: SP15
Connector: 1 Wire Male Packard #12015791 w/ Diode	System: R-134a



Part No: 1401450



Voltage: 12V	Material: Aluminum
Mount: Ear 8 Long	Model Type: SD7H15HD
Clutch Size: 4 11/16" (119mm)	OEM Model No: 4542, 4350, 4618
Cylinder Head Type: SJA	No. of Grooves: PV7
Cylinder Head Port Angle: Horizontal	Clutch Assembly No: 4618-9931
Cylinder Head Size/Thread: Pad (QB)	Clutch Shaft Type: Long Key Shaft
Oil Amount: 240	Oil Type: SP15
Connector: 2 Wire Female Packard #15300002	System: R-134a

Part No: 1401451



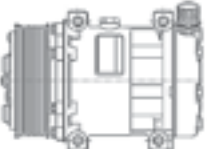
Voltage: 24V	Material: Aluminum
Mount: SD7 Direct Long	Model Type: SD7H15
Clutch Size: 4 15/16" (125mm)	OEM Model No: 4051
Cylinder Head Type: GV	No. of Grooves: PV12
Cylinder Head Port Angle: Horizontal	Clutch Assembly No: Not Serviced
Cylinder Head Size/Thread: O-Ring	Clutch Shaft Type: Long Key Shaft
Oil Amount: 300	Oil Type: SP15
Connector: 1 Wire Male Packard #12015791 w/ Diode & Bullet Jumper	System: R-134a

Part No: 1401452



Voltage: 24V	Material: Aluminum
Mount: SD7 Direct Long	Model Type: SD7H15
Clutch Size: 4 11/16" (119mm)	OEM Model No: 4066
Cylinder Head Type: GV	No. of Grooves: PV8
Cylinder Head Port Angle: Horizontal	Clutch Assembly No: 4866-9931
Cylinder Head Size/Thread: O-Ring	Clutch Shaft Type: Long Key Shaft
Oil Amount: 300	Oil Type: SP15
Connector: 1 Wire Male Packard #12015791 w/ Diode & Bullet Jumper	System: R-134a

Part No: 1401453



Voltage: 24V	Material: Aluminum
Mount: SD7 Direct Long	Model Type: SD7H15
Clutch Size: 4 11/16" (119mm)	OEM Model No: 4074
Cylinder Head Type: JDA	No. of Grooves: PV8
Cylinder Head Port Angle: Vertical	Clutch Assembly No: Not Serviced
Cylinder Head Size/Thread: 3/4 x 7/8	Clutch Shaft Type: Long Key Shaft
Oil Amount: 300	Oil Type: SP15
Connector: 2 Wire Female Packard #15300002	System: R-134a

Part No: 1401454



Voltage: 24V	Material: Aluminum
Mount: Ear 8 Long	Model Type: SD7H15
Clutch Size: 5 3/16" (132mm)	OEM Model No: 4269
Cylinder Head Type: KG	No. of Grooves: A2
Cylinder Head Port Angle: Horizontal	Clutch Assembly No: 4435-9931
Cylinder Head Size/Thread: 3/4 x 7/8	Clutch Shaft Type: Long Key Shaft
Oil Amount: 200	Oil Type: SP15
Connector: 1 Wire male Packard	System: R-134a

Part No: 1401455



Voltage: 24V	Material: Aluminum
Mount: Ear 8 Long	Model Type: SD7H15
Clutch Size: 5 3/16" (132mm)	OEM Model No: 4271U1
Cylinder Head Type: JD	No. of Grooves: A2
Cylinder Head Port Angle: Vertical	Clutch Assembly No: 4435-9931
Cylinder Head Size/Thread: 3/4 x 7/8	Clutch Shaft Type: Long Key Shaft
Oil Amount: 200	Oil Type: SP15
Connector: 1 Wire Male Packard #12015791 w/ Bullet Jumper	System: R-134a

Part No: 1401456



Voltage: 12V	Material: Aluminum
Mount: Ear 8 Long	Model Type: SD7H15
Clutch Size: 5 3/16" (132mm)	OEM Model No: 4272
Cylinder Head Type: KG	No. of Grooves: A2
Cylinder Head Port Angle: Horizontal	Clutch Assembly No: 6504-6310
Cylinder Head Size/Thread: 3/4 x 7/8	Clutch Shaft Type: Long Key Shaft
Oil Amount: 200	Oil Type: SP15
Connector: 1 Wire Male Packard #12015791 w/ Diode	System: R-134a

Part No: 1401457



Voltage: 24V	Material: Aluminum
Mount: SD7 Direct Long	Model Type: SD7H15
Clutch Size: 5 1/8" (130mm)	OEM Model No: 4301
Cylinder Head Type: GK	No. of Grooves: PV8
Cylinder Head Port Angle: Horizontal	Clutch Assembly No: 4726-9931
Cylinder Head Size/Thread: O-Ring	Clutch Shaft Type: Long Key Shaft
Oil Amount: 300	Oil Type: SP15
Connector: 2 Wire Deutsch #DT04-2P-E (005, EP04, EP05)	System: R-134a

Part No: 1401458

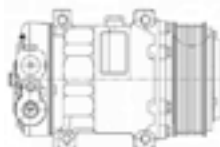


Voltage: 24V	Material: Aluminum
Mount: SD7 Direct Long	Model Type: SD7H15
Clutch Size: 6" (152mm)	OEM Model No: 4302
Cylinder Head Type: GK	No. of Grooves: PV8
Cylinder Head Port Angle: Horizontal	Clutch Assembly No: 4840-9932
Cylinder Head Size/Thread: O-Ring	Clutch Shaft Type: Long Key Shaft
Oil Amount: 300	Oil Type: SP15
Connector: 2 Wire Deutsch #DT04-2P-E (005, EP04, EP05)	System: R-134a

Sanden Style Compressors

Part No: 1401459


Voltage: 24V	Model Type: SD7H15SHD
Mount: Ear 8 Long	OEM Model No: 4312
Clutch Size: 5 1/4" (133mm)	No. of Grooves: PV8
Oil Amount: 220	Clutch Assembly No: Not Serviced
Connector: 1 Wire Female Packard 12010996	Clutch Shaft Type: Long Key Shaft
Oil Type: SP15	System: R-134a

Part No: 1401460


Voltage: 12V	Material: Aluminum
Mount: Direct TDM/SDM	Model Type: SD7H15SPRHD
Clutch Size: 4 11/16" (119mm)	OEM Model No: 4314
Cylinder Head Type: 480	No. of Grooves: PV8
Cylinder Head Port Angle: Vertical	Clutch Assembly No: 4368-9931
Cylinder Head Size/Thread: Pad @ 90	Clutch Shaft Type: Long Key Shaft
Oil Amount: 300	Oil Type: SP15
Connector: 2 Wire male Packard	System: R-134a

Part No: 1401461


Voltage: 12V	Material: Aluminum
Mount: SD7 Direct Long	Model Type: SD7H15
Clutch Size: 4 11/16" (119mm)	OEM Model No: 4334
Cylinder Head Type: 4400	No. of Grooves: PV8
Cylinder Head Port Angle: Vertical	Clutch Assembly No: Not Serviced
Cylinder Head Size/Thread: O-Ring Compression/ Flat Washer	Clutch Shaft Type: Long Key Shaft
Oil Amount: 300	Oil Type: SP15
Connector: 2 Wire Female Packard #12177071	System: R-134a

Part No: 1401462


Voltage: 12V	Material: Aluminum
Mount: SD7 Direct Long	Model Type: SD7H15
Clutch Size: 4 15/16" (125mm)	OEM Model No: 4401
Cylinder Head Type: GV	No. of Grooves: A2
Cylinder Head Port Angle: Horizontal	Clutch Assembly No: 4419-9931
Cylinder Head Size/Thread: O-Ring	Clutch Shaft Type: Long Key Shaft
Oil Amount: 300	Oil Type: SP15
Connector: 1 Wire Male Packard #12015791 w/ Diode	System: R-134a

Part No: 1401463


Voltage: 24V	Material: Aluminum
Mount: SD7 Direct Ford	Model Type: SD7H15
Clutch Size: 5 7/16" (138mm)	OEM Model No: 4402
Cylinder Head Type: MD	No. of Grooves: A1
Cylinder Head Port Angle: Horizontal	Clutch Assembly No: 4402-9932
Cylinder Head Size/Thread: 1 x 14	Clutch Shaft Type: Long Key Shaft
Oil Amount: 300	Oil Type: SP15
Connector: 1 Wire Female Packard #12010996	System: R-134a

Part No: 1401464


Voltage: 12V	Material: Aluminum
Mount: SD7 Direct Long	Model Type: SD7H15
Clutch Size: 4 11/16" (119mm)	OEM Model No: 4404
Cylinder Head Type: KG	No. of Grooves: PV8
Cylinder Head Port Angle: Horizontal	Clutch Assembly No: 4705-9930
Cylinder Head Size/Thread: 3/4 x 7/8	Clutch Shaft Type: Long Key Shaft
Oil Amount: 300	Oil Type: SP15
Connector: 2 Wire Female Packard #15300002	System: R-134a

Part No: 1401465


Voltage: 12V	Material: Aluminum
Mount: SD7 Direct Long	Model Type: SD7H15
Clutch Size: 4 11/16" (119mm)	OEM Model No: 4405
Cylinder Head Type: JDA	No. of Grooves: PV10
Cylinder Head Port Angle: Vertical	Clutch Assembly No: 4405-9920
Cylinder Head Size/Thread: 3/4 x 7/8	Clutch Shaft Type: Long Key Shaft
Oil Amount: 300	Oil Type: SP15
Connector: 1 Wire Male Packard #12015791 w/ Diode	System: R-134a

Part No: 1401466


Voltage: 12V	Material: Aluminum
Mount: SD7 Direct GM	Model Type: SD7H15
Clutch Size: 5 1/8" (130mm)	OEM Model No: 4440
Cylinder Head Type: GT	No. of Grooves: PV6
Cylinder Head Port Angle: Vertical	Clutch Assembly No: 6789-6010
Cylinder Head Size/Thread: O-Ring Compression	Clutch Shaft Type: Involute Spline 13 x 24 0.5
Oil Amount: 135	Oil Type: SP15
Connector: 2 Wire SHINSUNG-PACKARD #830261	System: R-134a

Part No: 1401467


Voltage: 24V	Material: Aluminum
Mount: Ear 8 Long	Model Type: SD7H15SHD
Clutch Size: 5 7/16" (138mm)	OEM Model No: 4604, 4468
Cylinder Head Type: GK	No. of Grooves: A1
Cylinder Head Port Angle: Horizontal	Clutch Assembly No: 4604-9931, 6590-6010
Cylinder Head Size/Thread: Pad @ H	Clutch Shaft Type: Long Key Shaft
Oil Amount: 300	Oil Type: SP15
Connector: 2 Wire Deutsch DT04-2P-E	System: R-134a



Part No: 1401468



Voltage: 12V	Material: Aluminum
Mount: Ear 8 Long	Model Type: SD7H15
Clutch Size: 6" (152mm)	OEM Model No: 4478
Cylinder Head Type: MD	No. of Grooves: A2
Cylinder Head Port Angle: Horizontal	Clutch Assembly No: 6591-6010
Cylinder Head Size/Thread: 1 x 14	Clutch Shaft Type: Long Key Shaft
Oil Amount: 285	Oil Type: SP15
Connector: 1 Wire Female Packard #12010996	System: R-134a

Part No: 1401469



Voltage: 24V	Material: Aluminum
Mount: Ear 8 Long	Model Type: SD7H15
Clutch Size: 6" (152mm)	OEM Model No: 4479
Cylinder Head Type: GK	No. of Grooves: A1
Cylinder Head Port Angle: Horizontal	Clutch Assembly No: 4640-9932
Cylinder Head Size/Thread: O-Ring	Clutch Shaft Type: Long Key Shaft
Oil Amount: 300	Oil Type: SP15
Connector: 2 Wire Deutsch #DT04-2P-E (005, EP04, EP05)	System: R-134a

Part No: 1401470



Voltage: 24V	Material: Aluminum
Mount: Ear 8 Long	Model Type: SD7H15
Clutch Size: 6" (152mm)	OEM Model No: 4489
Cylinder Head Type: MD	No. of Grooves: A2
Cylinder Head Port Angle: Horizontal	Clutch Assembly No: 6591-6210
Cylinder Head Size/Thread: 1 x 14	Clutch Shaft Type: Long Key Shaft
Oil Amount: 285	Oil Type: SP15
Connector: 1 Wire Female Packard #12010996	System: R-134a

Part No: 1401471



Voltage: 12V	Material: Aluminum
Mount: SD7 Direct Long	Model Type: SD7H15
Clutch Size: 6" (152mm)	OEM Model No: 4499
Cylinder Head Type: MD	No. of Grooves: PV8
Cylinder Head Port Angle: Horizontal	Clutch Assembly No: 4768-9933
Cylinder Head Size/Thread: 1 x 14	Clutch Shaft Type: Long Key Shaft
Oil Amount: 285	Oil Type: SP15
Connector: 1 Wire Female Packard #12010996	System: R-134a

Part No: 1401472



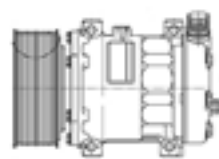
Voltage: 12V	Material: Aluminum
Mount: Ear 8 Long	Model Type: SD7H15
Clutch Size: 4 15/16" (125mm)	OEM Model No: 4616
Cylinder Head Type: GV	No. of Grooves: A2
Cylinder Head Port Angle: Horizontal	Clutch Assembly No: 4419-9931
Cylinder Head Size/Thread: O-Ring	Clutch Shaft Type: Long Key Shaft
Oil Amount: 300	Oil Type: SP15
Connector: 1 Wire Male Packard #12015791 w/ Diode	System: R-134a

Part No: 1401473



Voltage: 12V	Material: Aluminum
Mount: SD7 Direct Long	Model Type: SD7H15
Clutch Size: 4 11/16" (119mm)	OEM Model No: 4641
Cylinder Head Type: MD	No. of Grooves: PV6
Cylinder Head Port Angle: Horizontal	Clutch Assembly No: 6524-6010
Cylinder Head Size/Thread: 1 x 14	Clutch Shaft Type: Long Key Shaft
Oil Amount: 240	Oil Type: SP15
Connector: 1 Wire Male Bullet	System: R-134a

Part No: 1401474



Voltage: 12V	Material: Aluminum
Mount: SD7 Direct Long	Model Type: SD7H15
Clutch Size: 4 15/16" (125mm)	OEM Model No: 4678
Cylinder Head Type: JDA	No. of Grooves: PV12
Cylinder Head Port Angle: Vertical	Clutch Assembly No: 4070-9931
Cylinder Head Size/Thread: 3/4 x 7/8	Clutch Shaft Type: Long Key Shaft
Oil Amount: 300	Oil Type: SP15
Connector: 1 Wire Male Packard #12015791 w/ Diode	System: R-134a

Part No: 1401475



Voltage: 12V	Material: Aluminum
Mount: Ear 8 Long	Model Type: SD7H15
Clutch Size: 4 11/16" (119mm)	OEM Model No: 4707
Cylinder Head Type: QC	No. of Grooves: PV8
Cylinder Head Port Angle: Horizontal	Clutch Assembly No: 6522-6010
Cylinder Head Size/Thread: O-Ring	Clutch Shaft Type: Long Key Shaft
Oil Amount: 135	Oil Type: SP15
Connector: 1 Wire Male Bullet	System: R-134a

Part No: 1401476



Voltage: 12V	Material: Aluminum
Mount: Ear 8 Long	Model Type: SD7H15
Clutch Size: 4 15/16" (125mm)	OEM Model No: 4708
Cylinder Head Type: QC	No. of Grooves: A2
Cylinder Head Port Angle: Horizontal	Clutch Assembly No: 6560-6010
Cylinder Head Size/Thread: O-Ring	Clutch Shaft Type: Long Key Shaft
Oil Amount: 135	Oil Type: SP15
Connector: 1 Wire Male Bullet	System: R-134a

Sanden Style Compressors

COMPRESSORS

Part No: 1401477




Voltage: 12V	Material: Aluminum
Mount: Ear 8 Long	Model Type: SD7H15
Clutch Size: 4 11/16" (119mm)	OEM Model No: 4710
Cylinder Head Type: CB	No. of Grooves: PV8
Cylinder Head Port Angle: Vertical	Clutch Assembly No: 6522-6010
Cylinder Head Size/Thread: 1 x 14	Clutch Shaft Type: Long Key Shaft
Oil Amount: 135	Oil Type: SP15
Connector: 1 Wire Male Bullet	System: R-134a

Part No: 1401478



Voltage: 12V	Material: Aluminum
Mount: SD7 Direct Long	Model Type: SD7H15
Clutch Size: 4 11/16" (119mm)	OEM Model No: 4720
Cylinder Head Type: 4347	No. of Grooves: PV8
Cylinder Head Port Angle: Vertical	Clutch Assembly No: 4705-9930
Cylinder Head Size/Thread: O-Ring Compression	Clutch Shaft Type: Long Key Shaft
Oil Amount: 300	Oil Type: SP15
Connector: 2 Wire Female Packard #15300002	System: R-134a

Part No: 1401479



Voltage: 24V	Material: Aluminum
Mount: Ear 8 Long	Model Type: SD7H15
Clutch Size: 4 15/16" (125mm)	OEM Model No: 4742
Cylinder Head Type: KG	No. of Grooves: A2
Cylinder Head Port Angle: Horizontal	Clutch Assembly No: 6716-6010
Cylinder Head Size/Thread: 3/4 x 7/8	Clutch Shaft Type: Long Key Shaft
Oil Amount: 175	Oil Type: SP15
Connector: 1 Wire Male Bullet	System: R-134a

Part No: 1401480



Voltage: 12V	Material: Aluminum
Mount: Ear 8 Long	Model Type: SD7H15
Clutch Size: 6 1/4" (158mm)	OEM Model No: 4747
Cylinder Head Type: CB	No. of Grooves: C1
Cylinder Head Port Angle: Vertical	Clutch Assembly No: 6719-6210
Cylinder Head Size/Thread: 1 x 14	Clutch Shaft Type: Long Key Shaft
Oil Amount: 175	Oil Type: SP15
Connector: 1 Wire Male Bullet	System: R-134a

Part No: 1401481



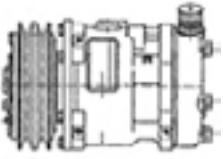
Voltage: 12V	Material: Aluminum
Mount: SD7 Direct Long	Model Type: SD7H15
Clutch Size: 4 11/16" (119mm)	OEM Model No: 4800
Cylinder Head Type: GV	No. of Grooves: PV8
Cylinder Head Port Angle: Horizontal	Clutch Assembly No: 4672-9931
Cylinder Head Size/Thread: O-Ring	Clutch Shaft Type: Long Key Shaft
Oil Amount: 300	Oil Type: SP15
Connector: 1 Wire Male Packard #12015791 w/ Diode	System: R-134a

Part No: 1401482




Voltage: 12V	Material: Aluminum
Mount: Ear 8 Long	Model Type: SD7H15
Clutch Size: 4 11/16" (119mm)	OEM Model No: 4805
Cylinder Head Type: GV	No. of Grooves: PV8
Cylinder Head Port Angle: Horizontal	Clutch Assembly No: 6522-6010
Cylinder Head Size/Thread: O-Ring	Clutch Shaft Type: Long Key Shaft
Oil Amount: 300	Oil Type: SP15
Connector: 1 Wire Male Bullet	System: R-134a

Part No: 1401483



Voltage: 12V	Material: Aluminum
Mount: Ear 8 Mid	Model Type: SD5H11
Clutch Size: 4 15/16" (125mm)	OEM Model No: 6321
Cylinder Head Type: FL	No. of Grooves: A2
Cylinder Head Port Angle: Vertical	Clutch Assembly No: 0581-6211
Cylinder Head Size/Thread: 3/4 x 7/8	Clutch Shaft Type: Long Key Shaft
Oil Amount: 135	Oil Type: SP20
Connector: 1 Wire Male Spade CF250MEC	System: R-134a

Part No: 1401484



Voltage: 12V	Material: Aluminum
Mount: Ear 8 Long	Model Type: SD5H14HD
Clutch Size: 5 3/16" (132mm)	OEM Model No: 4509, 4510, 6664
Cylinder Head Type: FL	No. of Grooves: A2
Cylinder Head Port Angle: Vertical	Clutch Assembly No: 6514-6010, 6519-6010, 6514-6210
Cylinder Head Size/Thread: 3/4 x 7/8	Clutch Shaft Type: Long Key Shaft
Oil Amount: 210	Oil Type: SP20
Connector: 1 Wire male Bullet	System: R-134a

Part No: 1401485



Voltage: 24V	Material: Aluminum
Mount: Ear 8 Long	Model Type: SD5H14HD
Clutch Size: 5 3/16" (132mm)	OEM Model No: 4506, 4507, 6665
Cylinder Head Type: FL	No. of Grooves: A2
Cylinder Head Port Angle: Vertical	Clutch Assembly No: 6514-6210
Cylinder Head Size/Thread: 3/4 x 7/8	Clutch Shaft Type: Long Key Shaft
Oil Amount: 210	Oil Type: SP20
Connector: 1 Wire male Bullet	System: R-134a

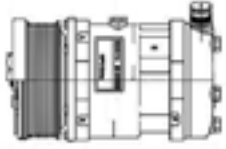


Part No: 1401486



Voltage: 24V	Material: Aluminum
Mount: Ear 8 Long	Model Type: SD5H14
Clutch Size: 5 3/16" (132mm)	OEM Model No: 6632
Cylinder Head Type: M	No. of Grooves: A2
Cylinder Head Port Angle: Horizontal	Clutch Assembly No: 6514-6210
Cylinder Head Size/Thread: 1 x 14	Clutch Shaft Type: Long Key Shaft
Oil Amount: 175	Oil Type: SP20
Connector: 1 Wire Male Bullet	System: R-134a

Part No: 1401488



Voltage: 24V	Material: Aluminum
Mount: Ear 8 Long	Model Type: SD5H14
Clutch Size: 4 11/16" (119mm)	OEM Model No: 6697
Cylinder Head Type: FL	No. of Grooves: PV8
Cylinder Head Port Angle: Vertical	Clutch Assembly No: Not Serviced
Cylinder Head Size/Thread: 3/4 x 7/8	Clutch Shaft Type: Long Key Shaft
Oil Amount: 175	Oil Type: SP20
Connector: 1 Wire Male Bullet	System: R-134a

Part No: 1401489



Voltage: 24V	Material: Aluminum
Mount: Direct SD708 & SD7H13	Model Type: SD7H13
Clutch Size: 5 3/4" (146mm)	OEM Model No: 7360
Cylinder Head Type: WL	No. of Grooves: B1
Cylinder Head Port Angle: Vertical	Clutch Assembly No: 0580-6311
Cylinder Head Size/Thread: O-Ring Compression	Clutch Shaft Type: Long Key Shaft
Oil Amount: 135	Oil Type: SP10
Connector: 1 Wire Male Bullet	System: R-134a

Part No: 1401490



Voltage: 24V	Material: Aluminum
Mount: Ear 8 Long	Model Type: SD7H15
Clutch Size: 5 3/16" (132mm)	OEM Model No: 8045
Cylinder Head Type: WZ	No. of Grooves: A2
Cylinder Head Port Angle: Horizontal	Clutch Assembly No: 0767-6011
Cylinder Head Size/Thread: O-Ring	Clutch Shaft Type: Long Key Shaft
Oil Amount: 240	Oil Type: SP10
Connector: 1 Wire Bullet Volvo 1308436	System: R-134a

Part No: 1401491



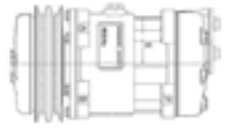
Voltage: 24V	Material: Aluminum
Mount: SD7 Direct Short	Model Type: SD7H15
Clutch Size: 4 11/16" (119mm)	OEM Model No: 8144
Cylinder Head Type: MD	No. of Grooves: PV8
Cylinder Head Port Angle: Horizontal	Clutch Assembly No: Not Serviced
Cylinder Head Size/Thread: 1 x 14	Clutch Shaft Type: Long Key Shaft
Oil Amount: 200	Oil Type: SP15
Connector: 1 Wire Female AMP #282104	System: R-134a

Part No: 1401492




Voltage: 24V	Material: Aluminum
Mount: Ear 8 Long	Model Type: SD7H15
Clutch Size: 5 3/16" (132mm)	OEM Model No: 8152
Cylinder Head Type: WZ	No. of Grooves: A2
Cylinder Head Port Angle: Horizontal	Clutch Assembly No: Not Serviced
Cylinder Head Size/Thread: O-Ring	Clutch Shaft Type: Long Key Shaft
Oil Amount: 240	Oil Type: SP15
Connector: 2 Wire AMP171661-1	System: R-134a

Part No: 1401493



Voltage: 24V	Material: Aluminum
Mount: Ear 8 Long	Model Type: SD7H15
Clutch Size: 5 3/16" (132mm)	OEM Model No: 6035
Cylinder Head Type: WZ	No. of Grooves: A2
Cylinder Head Port Angle: Horizontal	Clutch Assembly No: Not Serviced
Cylinder Head Size/Thread: O-Ring	Clutch Shaft Type: Long Key Shaft
Oil Amount: 240	Oil Type: SP10
Connector: 2 Wire Deutsch #DT04-2P-E (005, EP04, EP05)	System: R-134a

Part No: 1401494



Voltage: 12V	Material: Aluminum
Mount: SD7 Direct Long	Model Type: SD7H15
Clutch Size: 4 11/16" (119mm)	OEM Model No: 4277
Cylinder Head Type: 4418	No. of Grooves: PV8
Cylinder Head Port Angle: Vertical	Clutch Assembly No: 4705-9930
Cylinder Head Size/Thread: O-Ring Compression	Clutch Shaft Type: Long Key Shaft
Oil Amount: 300	Oil Type: SP15
Connector: 2 Wire Female Packard #1530002	System: R-134a

Part No: 1401495



Voltage: 12V	Material: Aluminum
Mount: Ear 8 Mid	Model Type: SD7H13
Clutch Size: 4 11/16" (119mm)	OEM Model No: 4455
Cylinder Head Type: JE	No. of Grooves: PV6
Cylinder Head Port Angle: Vertical	Clutch Assembly No: 6564-6110
Cylinder Head Size/Thread: 3/4 x 7/8	Clutch Shaft Type: Long Key Shaft
Oil Amount: 135	Oil Type: SP20
Connector: 1 Wire Male Bullet	System: R-134a

Sanden Style Compressors

COMPRESSORS

Part No: 1401496



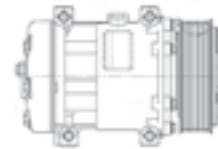
Voltage: 12V	
Mount: Ear 8 Long	Model Type: SD7H15
Clutch Size: 4 11/16" (119mm)	OEM Model No: 4712
Oil Amount: 135	No. of Grooves: PV8
Connector: 1 Wire male Bullet	Clutch Shaft Type: Long Key Shaft
System: R-134a	Oil Type: SP15

Part No: 1401497



Voltage: 12V	Material: Aluminum
Mount: SD7 Direct Short	Model Type: SD7H15
Clutch Size: 4 15/16" (125mm)	OEM Model No: 4018
Cylinder Head Type: 4018	No. of Grooves: PV10
Cylinder Head Port Angle: Vertical	Clutch Assembly No: Not Serviced
Cylinder Head Size/Thread: O-Ring Compression	Clutch Shaft Type: Long Key Shaft
Oil Amount: 300	Oil Type: SP15
Connector: 2 Wire Female Packard #15300002	System: R-134a

Part No: 1401498



Voltage: 12V	Material: Aluminum
Mount: SD7 Direct Long	Model Type: SD7H15
Clutch Size: 4 11/16" (119mm)	OEM Model No: 4020
Cylinder Head Type: GH	No. of Grooves: PV8
Cylinder Head Port Angle: Horizontal	Clutch Assembly No: Not Serviced
Cylinder Head Size/Thread: O-Ring Compression	Clutch Shaft Type: Long Key Shaft
Oil Amount: 300	Oil Type: SP15
Connector: 2 Wire Female Packard #15300002	System: R-134a

Part No: 1401499



Voltage: 24V	Material: Aluminum
Mount: Ear 8 Long	Model Type: SD7H15
Clutch Size: 4 15/16" (125mm)	OEM Model No: 4093
Cylinder Head Type: JD	No. of Grooves: A2
Cylinder Head Port Angle: Vertical	Clutch Assembly No: 6511-6310
Cylinder Head Size/Thread: 3/4 x 7/8	Clutch Shaft Type: Long Key Shaft
Oil Amount: 200	Oil Type: SP15
Connector: 1 Wire Male Packard #12015791 w/ Diode	System: R-134a

Part No: 1401500



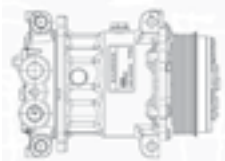
Voltage: 12V	Material: Aluminum
Mount: SD7 Direct Short	Model Type: SD7H15
Clutch Size: 4 15/16" (125mm)	OEM Model No: 4096
Cylinder Head Type: KCA	No. of Grooves: PV7
Cylinder Head Port Angle: Horizontal	Clutch Assembly No: 4379-9931
Cylinder Head Size/Thread: 3/4 x 7/8	Clutch Shaft Type: Long Key Shaft
Oil Amount: 300	Oil Type: SP15
Connector: 2 Wire Female Packard #15300002	System: R-134a

Part No: 1401501



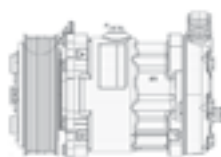
Voltage: 12V	Material: Aluminum
Mount: SD7 Direct Short	Model Type: SD7H15
Clutch Size: 6 5/16" (160mm)	OEM Model No: 4099
Cylinder Head Type: 4802	No. of Grooves: PV8
Cylinder Head Port Angle: Vertical	Clutch Assembly No: 4099-9931
Cylinder Head Size/Thread: O-Ring Compression	Clutch Shaft Type: Long Key Shaft
Oil Amount: 300	Oil Type: SP15
Connector: 2 Wire Female Packard #15300002	System: R-134a

Part No: 1401502



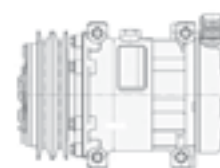
Voltage: 12V	Material: Aluminum
Mount: SD7 Direct GM	Model Type: SD7H15
Clutch Size: 4 7/16" (112mm)	OEM Model No: 4261
Cylinder Head Type: GT	No. of Grooves: PV6
Cylinder Head Port Angle: Vertical	Clutch Assembly No: Not Serviced
Cylinder Head Size/Thread: O-Ring Compression	Clutch Shaft Type: Involute Spline 13 x 24 0.5
Oil Amount: 135	Oil Type: SP15
Connector: 2 Wire SHINSUNG-PACKARD #830261	System: R-134a

Part No: 1401503



Voltage: 12V	Material: Aluminum
Mount: Ear 8 Long	Model Type: SD7H15
Clutch Size: 4 11/16" (119mm)	OEM Model No: 4281U1
Cylinder Head Type: JDA	No. of Grooves: PV8
Cylinder Head Port Angle: Vertical	Clutch Assembly No: Not Serviced
Cylinder Head Size/Thread: 3/4 x 7/8	Clutch Shaft Type: Long Key Shaft
Oil Amount: 175	Oil Type: SP15
Connector: 1 Wire Man Special	System: R-134a

Part No: 1401504



Voltage: 24V	Material: Aluminum
Mount: SD7 Direct Long	Model Type: SD7H15
Clutch Size: 5 3/16" (132mm)	OEM Model No: 4325
Cylinder Head Type: JD	No. of Grooves: A2
Cylinder Head Port Angle: Vertical	Clutch Assembly No: Not Serviced
Cylinder Head Size/Thread: 3/4 x 7/8	Clutch Shaft Type: Long Key Shaft
Oil Amount: 300	Oil Type: SP20
Connector: 1 Wire Male Packard #12065171	System: R-134a



Part No: 1401505




Voltage: 24V	Material: Aluminum
Mount: SD7 Direct Long	Model Type: SD7H15
Clutch Size: 4 11/16" (119mm)	OEM Model No: 4327
Cylinder Head Type: GV	No. of Grooves: PV8
Cylinder Head Port Angle: Horizontal	Clutch Assembly No: 4866-9931
Cylinder Head Size/Thread: O-Ring	Clutch Shaft Type: Long Key Shaft
Oil Amount: 200	Oil Type: SP15
Connector: 1 Wire Male Packard #12015791 w/ Diode & Bullet Jumper	System: R-134a

Part No: 1401507



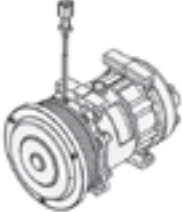
Voltage: 12V	Material: Aluminum
Mount: Ear 8 Long	Model Type: SD7H15
Clutch Size: 4 11/16" (119mm)	OEM Model No: 4394
Cylinder Head Type: MDA	No. of Grooves: PV8
Cylinder Head Port Angle: Horizontal	Clutch Assembly No: Not Serviced
Cylinder Head Size/Thread: 1 x 14	Clutch Shaft Type: Long Key Shaft
Oil Amount: 300	Oil Type: SP15
Connector: 2 Wire Female Packard #15300002	System: R-134a

Part No: 1401508



Voltage: 24V	Material: Aluminum
Mount: Ear 8 Long	Model Type: SD7H15
Clutch Size: 5 1/8" (130mm)	OEM Model No: 4487
Cylinder Head Type: GK	No. of Grooves: PV8
Cylinder Head Port Angle: Horizontal	Clutch Assembly No: 4726-9931
Cylinder Head Size/Thread: O-Ring	Clutch Shaft Type: Long Key Shaft
Oil Amount: 300	Oil Type: SP15
Connector: 2 Wire Deutsch #DT04-2P-E (005, EP04, EP05)	System: R-134a

Part No: 1401509



Voltage: 12V	Model Type: SD7H15HD
Mount: Direct Long	No. of Grooves: PV6
Clutch Size: 5 1/4" (133mm)	Clutch Shaft Type: Long Key Shaft
Oil Amount: 300	Oil Type: SP15
Connector: 2 Wire Female Packard 1530002	System: R-134a

Part No: 1401510



Voltage: 12V	Material: Aluminum
Mount: Ear 8 Long	Model Type: SD7H15
Clutch Size: 5 7/16" (138mm)	OEM Model No: 4597
Cylinder Head Type: JD	No. of Grooves: A1
Cylinder Head Port Angle: Horizontal	Clutch Assembly No: 6506-6110
Cylinder Head Size/Thread: O-Ring	Clutch Shaft Type: Long Key Shaft
Oil Amount: 135	Oil Type: SP15
Connector: 2 Wire Deutsch #DT04-2P-E (005, EP04, EP05)	System: R-134a

Part No: 1401511



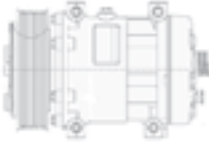
Voltage: 12V	Material: Aluminum
Mount: SD7 Direct Short	Model Type: SD7H15
Clutch Size: 4 15/16" (125mm)	OEM Model No: 4675
Cylinder Head Type: 4018	No. of Grooves: PV12
Cylinder Head Port Angle: Vertical	Clutch Assembly No: 4541-9931
Cylinder Head Size/Thread: O-Ring Compression	Clutch Shaft Type: Long Key Shaft
Oil Amount: 300	Oil Type: SP15
Connector: 2 Wire Female Packard #15300002	System: R-134a

Part No: 1401512




Voltage: 12V	Material: Aluminum
Mount: SD7 Direct Long	Model Type: SD7H15
Clutch Size: 5 3/16" (132mm)	OEM Model No: 4698
Cylinder Head Type: JD	No. of Grooves: PV8
Cylinder Head Port Angle: Vertical	Clutch Assembly No: 6586-6010
Cylinder Head Size/Thread: 3/4 x 7/8	Clutch Shaft Type: Long Key Shaft
Oil Amount: 300	Oil Type: SP15
Connector: 2 Wire Male Packard #12015792	System: R-134a

Part No: 1401513



Voltage: 12V	Material: Aluminum
Mount: SD7 Direct Long	Model Type: SD7H15
Clutch Size: 5 1/16" (128mm)	OEM Model No: 4885
Cylinder Head Type: MDA	No. of Grooves: PV8
Cylinder Head Port Angle: Horizontal	Clutch Assembly No: 6786-6110
Cylinder Head Size/Thread: 1 x 14	Clutch Shaft Type: Long Key Shaft
Oil Amount: 300	Oil Type: SP15
Connector: 2 Wire Female Packard #15300002	System: R-134a

Part No: 1401514

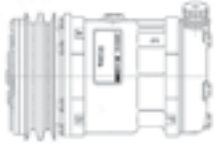


Voltage: 24V	Material: Aluminum
Mount: Ear 8 Short	Model Type: SD5S09
Clutch Size: 4 15/16" (125mm)	OEM Model No: SD5S09-5073
Cylinder Head Type: FL	No. of Grooves: A2
Cylinder Head Port Angle: Vertical	Clutch Assembly No: 9351-6010
Cylinder Head Size/Thread: 3/4 x 7/8	Clutch Shaft Type: SD5 Keyed Shaft
Oil Amount: 100	Oil Type: SP20
Connector: 1 Wire Male Bullet	System: R-134a

Sanden Style Compressors

COMPRESSORS

Part No: 1401515



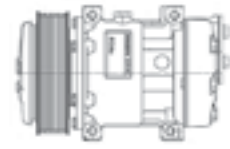
Voltage: 12V	Material: Aluminum
Mount: Ear 8 Long	Model Type: SD5H14
Clutch Size: 5 3/16" (132mm)	OEM Model No: 6642
Cylinder Head Type: C	No. of Grooves: A2
Cylinder Head Port Angle: Vertical	Clutch Assembly No: 8536-6111
Cylinder Head Size/Thread: 1 x 14	Clutch Shaft Type: SD5 Keyed Shaft
Oil Amount: 175	Oil Type: SP20
Connector: 1 Wire Male Bullet	System: R-134a

Part No: 1401516



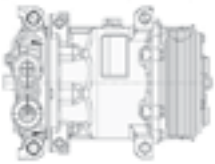
Voltage: 12V	Material: Aluminum
Mount: SD7B Swing Alternator 2 Top 2 Bottom	Model Type: SD7B10
Clutch Size: 4 9/16" (116mm)	OEM Model No: 7170
Cylinder Head Type: PB	No. of Grooves: A2
Cylinder Head Port Angle: T	Clutch Assembly No: 0654-6011
Cylinder Head Size/Thread: O-Ring	Clutch Shaft Type: Long Key Shaft
Oil Amount: 100	Oil Type: SP10
Connector: 1 Wire Male Bullet	System: R-134a

Part No: 1401518



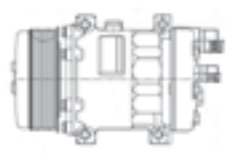
Voltage: 24V	Material: Aluminum
Mount: SD7 Direct Short	Model Type: SD7H15
Clutch Size: 5 1/8" (130mm)	OEM Model No: 8242
Cylinder Head Type: WZ	No. of Grooves: PV8
Cylinder Head Port Angle: Horizontal	Clutch Assembly No: Not Serviced
Cylinder Head Size/Thread: O-Ring	Clutch Shaft Type: Long Key Shaft
Oil Amount: 240	Oil Type: SP10
Connector: 2 Wire Deutsch #DT04-2P-E (005, EP04, EP05)	System: R-134a

Part No: 1401519



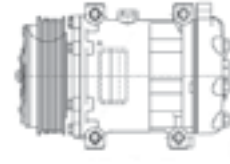
Voltage: 12V	Material: Aluminum
Mount: SD7 Direct GM	Model Type: SD7H15
Clutch Size: 4 11/16" (119mm)	OEM Model No: 4362
Cylinder Head Type: GT	No. of Grooves: PV7
Cylinder Head Port Angle: Vertical	Clutch Assembly No: 6732-6010
Cylinder Head Size/Thread: O-Ring Compression	Clutch Shaft Type: Involute Spline 13 x 24 0.5
Oil Amount: 240	Oil Type: SP15
Connector: 2 Wire Female Packard #12177071	System: R-134a

Part No: 1401520



Voltage: 12V	Material: Aluminum
Mount: SD7 Direct Long	Model Type: SD7H15
Clutch Size: 4 11/16" (119mm)	OEM Model No: 4121, 4121U
Cylinder Head Type: KF	No. of Grooves: PV8
Cylinder Head Port Angle: Horizontal	Clutch Assembly No: 0645-9932
Cylinder Head Size/Thread: 1 1/16 X 3/4	Clutch Shaft Type: Long Key Shaft
Oil Amount: 270	Oil Type: SP15
Connector: 2 Wire Male Packard #12015792	System: R-134a

Part No: 1401521



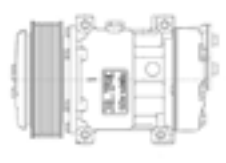
Voltage: 12V	Material: Aluminum
Mount: SD7 Direct Long	Model Type: SD7H15
Clutch Size: 4 11/16" (119mm)	OEM Model No: 4848
Cylinder Head Type: WH	No. of Grooves: PV6
Cylinder Head Port Angle: Vertical	Clutch Assembly No: 4848-9930
Cylinder Head Size/Thread: 3/4 x 7/8 Internal Thread	Clutch Shaft Type: Involute Spline 13 x 24 0.5
Oil Amount: 240	Oil Type: SP15
Connector: 2 Wire Ford E7EB-14A464-DA w/ Wedge	System: R-134a

Part No: 1401522



Voltage: 12V	Material: Aluminum
Mount: Ear 8 Long	Model Type: SD5H14
Clutch Size: 6 1/4" (158mm)	OEM Model No: 6673
	No. of Grooves: C1
Cylinder Head Port Angle: Vertical	Clutch Assembly No: Not Serviced
Cylinder Head Size/Thread: 3/4 x 7/8	Clutch Shaft Type: Long Key Shaft
Oil Amount: 240	Oil Type: SP20
Connector: 1 Wire Male Bullet	System: R-134a

Part No: 1401523



Voltage: 24V	Model Type: SD7H15
Mount: SD7 Direct Short	No. of Grooves: PV8
Clutch Size: 5 3/16" (132mm)	Clutch Assembly No: Not Serviced
Oil Amount: 240	Clutch Shaft Type: Long Key Shaft
Connector: 1 Wire Bullet Volvo 1308436	Oil Type: SP15
	System: R-134a

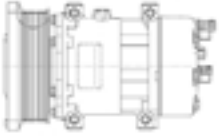
Part No: 1401525



Voltage: 12V	Material: Aluminum
Mount: Direct	Model Type: SD7H15 Enhanced
Clutch Size: 5 3/16" (132mm)	OEM Model No: 1194777
Cylinder Head Type: GV	No. of Grooves: PV8
Cylinder Head Port Angle: Horizontal	Clutch Assembly No: 6785-6210
Cylinder Head Size/Thread: GM Pad Metric	Clutch Shaft Type: Long Key Shaft
Oil Amount: 300	Oil Type: SP15
Connector: 2 Wire Deutsch DT04-2P-EP05	System: R-134a

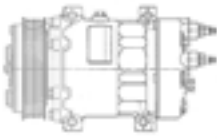


Part No: 1401526



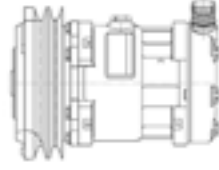
Voltage: 12V	No. of Grooves: PV8
Clutch Size: 133mm	Connector: Deutsch W2P
Oil Amount: 300	Oil Type: SP-15

Part No: 1401527




Voltage: 12V	No. of Grooves: PV6
Clutch Size: 119mm	Connector: Packard 12048159
Oil Amount: 300	Oil Type: SP-15

Part No: 1401528



Voltage: 24V	No. of Grooves: A2
Clutch Size: 152.4mm	Connector: Packard 12124582
Oil Amount: 270	Oil Type: SP-15

Part No: 1401529



Voltage: 12V	Model Type: SD5H14
Mount: Ear 8 Long	OEM Model No: 6677
Clutch Size: 132mm	No. of Grooves: A2
Cylinder Head Type: C	Cylinder Head Port Angle: Vertical
Cylinder Head Size/Thread: 1 x 14	Connector: 1 Wire Male Bullet
Oil Amount: 210	Oil Type: SP-20


Part No: 1406006



Voltage: 12V	Material: Aluminum
Mount: Ear 8 Long	Model Type: SD7H15HD
Clutch Size: 4 11/16" (119mm)	OEM Model No: 4705
Cylinder Head Type: GQ	No. of Grooves: PV8
Cylinder Head Port Angle: Vertical	Clutch Assembly No: 4417-9931
Cylinder Head Size/Thread: Pad @ 90	Clutch Shaft Type: Long Key Shaft
Oil Amount: 300	Oil Type: SP15
Connector: 2 pin Mertipak truck	System: R-134a


R-134a Compressors - Aftermarket Version

Part No: 1410001




Voltage: 12V	Material: Aluminum
Mount: Direct ADM/LDM	Model Type: SD7H15HD
Clutch Size: 5 3/16" (132mm)	OEM Model No: 4428, 4306
Cylinder Head Type: KCA	No. of Grooves: A2
Cylinder Head Port Angle: Horizontal	Clutch Assembly No: 4428-9931
Cylinder Head Size/Thread: 3/4 x 7/8	Clutch Shaft Type: Long Key Shaft
Oil Amount: 300	Oil Type: SP15
Connector: 2 Wire Female Packard/15300002	System: R-134a

Part No: 1410002



Voltage: 12V	Material: Aluminum
Mount: Direct ADM/LDM	Model Type: SD7H15HD
Clutch Size: 4 15/16" (125mm)	OEM Model No: 4731, 4424, 4039
Cylinder Head Type: GSA/GH	No. of Grooves: PV6
Cylinder Head Port Angle: Vertical/Horizontal	Clutch Assembly No: 4756-9931, 4424-9931
Cylinder Head Size/Thread: Pad	Clutch Shaft Type: Involute Spline 13 x 24 0.5
Oil Amount: 300	Oil Type: SP15
Connector: 2 pin Metripack truck/15300002	System: R-134a

Part No: 1410003




Voltage: 12V	Material: Aluminum
Mount: Direct ADM/LDM	Model Type: SD7H15HD
Clutch Size: 4 15/16" (125mm)	OEM Model No: 4792, 4425, 4040
Cylinder Head Type: GQ	No. of Grooves: PV6
Cylinder Head Port Angle: Vertical	Clutch Assembly No: 4756-9931, 4424-9931
Cylinder Head Size/Thread: Pad @ 90	Clutch Shaft Type: Involute Spline 13 x 24 0.5
Oil Amount: 300	Oil Type: SP15
Connector: 2 Wire Female Packard/15300002	System: R-134a

Sanden Style Compressors


COMPRESSORS

Part No: 1410004




Voltage: 12V	Material: Aluminum
Mount: Ear 8 Long	Model Type: SD7H15HD
Clutch Size: 4 15/16" (125mm)	OEM Model No: 4740, 4433, 4484
Cylinder Head Type: JDA	No. of Grooves: A2
Cylinder Head Port Angle: Vertical	Clutch Assembly No: 4740-9931
Cylinder Head Size/Thread: 3/4 x 7/8	Clutch Shaft Type: Involute Spline 13 x 24 0.5
Oil Amount: 300	Oil Type: SP15
Connector: 2 pin Metripack truck	System: R-134a

Part No: 1410005




Voltage: 12V	Material: Aluminum
Mount: Ear 8 Long	Model Type: SD7H15HD
Clutch Size: 5 3/16" (132mm)	OEM Model No: 4735, 4471
Cylinder Head Type: MDA	No. of Grooves: A2
Cylinder Head Port Angle: Horizontal	Clutch Assembly No: 4752-9931, 6504-6010
Cylinder Head Size/Thread: 1 x 14	Clutch Shaft Type: Long Key Shaft
Oil Amount: 240	Oil Type: SP15
Connector: 2 Wire Female Packard/15300002	System: R-134a

Part No: 1410006



Voltage: 12V	Material: Aluminum
Mount: Ear 8 Long	Model Type: SD7H15HD
Clutch Size: 4 11/16" (119mm)	OEM Model No: 4734, 4431, 4477
Cylinder Head Type: MDA	No. of Grooves: PV8
Cylinder Head Port Angle: Horizontal	Clutch Assembly No: 4417-9931, 4420-9931, 4705-9930
Cylinder Head Size/Thread: 1 x 14	Clutch Shaft Type: Long Key Shaft
Oil Amount: 300	Oil Type: SP15
Connector: 2 pin Metripack truck/15300002	System: R-134a

Part No: 1410007




Voltage: 12V	Material: Aluminum
Mount: Direct ADM/LDM	Model Type: SD7H15HD
Clutch Size: 4 11/16" (119mm)	OEM Model No: 4417, 4818, 4485, 4884
Cylinder Head Type: GH/JDA	No. of Grooves: PV8/A2
Cylinder Head Port Angle: Horizontal/Vertical	Clutch Assembly No: 4417-9931, 4420-9931, 4705-9930, 4885-9931
Cylinder Head Size/Thread: Pad 3/4 x 7/8	Clutch Shaft Type: Long Key Shaft
Oil Amount: 300	Oil Type: SP15
Connector: 2 pin Metripack truck/15300002	System: R-134a

Part No: 1410008




Voltage: 12V	Material: Aluminum
Mount: Ear 8 Long	Model Type: SD7H15HD
Clutch Size: 5 3/16" (132mm)	OEM Model No: 4736, 4694, 4488
Cylinder Head Type: JDA/JD	No. of Grooves: A2
Cylinder Head Port Angle: Vertical	Clutch Assembly No: 4752-9931, 4694-9931
Cylinder Head Size/Thread: 3/4 x 7/8	Clutch Shaft Type: Long Key Shaft
Oil Amount: 300	Oil Type: SP15
Connector: 2 Wire Female Packard/15300002	System: R-134a

Part No: 1410009




Voltage: 12V	Material: Aluminum
Mount: Ear 8 Long	Model Type: SD7H15HD
Clutch Size: 5 1/8" (130mm)	OEM Model No: 4716, 4490
Cylinder Head Type: WV	No. of Grooves: PV8
Cylinder Head Port Angle: Horizontal	Clutch Assembly No: 4700-9931
Cylinder Head Size/Thread: 2 Pad @ 45 Offset	Clutch Shaft Type: Long Key Shaft
Oil Amount: 300	Oil Type: SP15
Connector: 2 Wire Female Packard 15300002	System: R-134a

Part No: 1410010




Voltage: 12V	Material: Aluminum
Mount: Direct ADM/LDM, TDM/SDM	Model Type: SD7H15HD
Clutch Size: 5 1/8" (130mm)	OEM Model No: 4733, 4892, 4493
Cylinder Head Type: WV	No. of Grooves: PV8
Cylinder Head Port Angle: Horizontal	Clutch Assembly No: 4733-9931, 4895-9931, 6786-6110
Cylinder Head Size/Thread: 2 Pad @ 45 Offset	Clutch Shaft Type: Involute Spline 13 x 24 0.5
Oil Amount: 300	Oil Type: SP15
Connector: 2 Wire Female Packard/15300002	System: R-134a

Part No: 1410011



Voltage: 12V	Material: Aluminum
Mount: SD7 Direct Long	Model Type: SD7H15HD/SD7H15SPRHD
Clutch Size: 4 15/16" (125mm)	OEM Model No: 4757, 4891, 4494
Cylinder Head Type: WV	No. of Grooves: PV6
Cylinder Head Port Angle: Horizontal	Clutch Assembly No: 4757-9931, 4891-9931
Cylinder Head Size/Thread: 2 Pad @ 45 Offset	Clutch Shaft Type: Involute Spline 13 x 24 0.5
Oil Amount: 300	Oil Type: SP15
Connector: 2 Wire Female Packard/15300002	System: R-134a

Part No: 1410012



Voltage: 12V	Material: Aluminum
Mount: Ear 8 Long	Model Type: SD7H15HD
Clutch Size: 5 3/16" (132mm)	OEM Model No: 4704, 4497
Cylinder Head Type: SJ	No. of Grooves: A2
Cylinder Head Port Angle: Horizontal	Clutch Assembly No: 4704-9931
Cylinder Head Size/Thread: Pad (QB)	Clutch Shaft Type: Involute Spline 13 x 24 0.5
Oil Amount: 300	Oil Type: SP15
Connector: 2 Wire Ford E7EB14A464	System: R-134a




Part No: 1410013



Voltage: 12V	Material: Aluminum
Mount: Direct ADM/LDM	Model Type: SD7H15HD
Clutch Size: 5 3/16" (132mm)	OEM Model No: 4626, 4699, 4780
Cylinder Head Type: JD	No. of Grooves: A2
Cylinder Head Port Angle: Vertical	Clutch Assembly No: 4780-9931, 4694-9931
Cylinder Head Size/Thread: 3/4 x 7/8	Clutch Shaft Type: Long Key Shaft
Oil Amount: 300	Oil Type: SP15
Connector: 1 Wire male Packard/1530002	System: R-134a

Part No: 1410014




Voltage: 12V	Material: Aluminum
Mount: Ear 8 Long	Model Type: SD7H15HD
Clutch Size: 4 15/16" (125mm)	OEM Model No: 4627
Cylinder Head Type: JD	No. of Grooves: A2
Cylinder Head Port Angle: Vertical	Clutch Assembly No: 4627-9931
Cylinder Head Size/Thread: 3/4 x 7/8	Clutch Shaft Type: Long Key Shaft
Oil Amount: 300	Oil Type: SP15
Connector: 1 Wire male Packard	System: R-134a

Part No: 1410015




Voltage: 12V	Material: Aluminum
Mount: Ear 8 Long	Model Type: SD7H15HD
Clutch Size: 5 3/16" (132mm)	OEM Model No: 4646
Cylinder Head Type: MDA	No. of Grooves: A2
Cylinder Head Port Angle: Horizontal	Clutch Assembly No: 4647-9931
Cylinder Head Size/Thread: 1 x 14	Clutch Shaft Type: Long Key Shaft
Oil Amount: 240	Oil Type: SP15
Connector: 1 Wire male Packard	System: R-134a

Part No: 1410016



Voltage: 12V	Material: Aluminum
Mount: Ear 8 Long	Model Type: SD7H15HD
Clutch Size: 5 3/16" (132mm)	OEM Model No: 4639, 4644, 4647, 4664, 8104
Cylinder Head Type: JD/JDA/JE	No. of Grooves: A2
Cylinder Head Port Angle: Vertical	Clutch Assembly No: 4639-9931, 4647-9931
Cylinder Head Size/Thread: 3/4 x 7/8	Clutch Shaft Type: Long Key Shaft
Oil Amount: 300	Oil Type: SP15
Connector: 1 Wire male Bullet/1 Wire male Packard	System: R-134a

Part No: 1410017



Voltage: 12V	Material: Aluminum
Mount: Ear 8 Long	Model Type: SD7H15HD
Clutch Size: 4 11/16" (119mm)	OEM Model No: 4660
Cylinder Head Type: JDA	No. of Grooves: PV8
Cylinder Head Port Angle: Vertical	Clutch Assembly No: 4672-9931
Cylinder Head Size/Thread: 3/4 x 7/8	Clutch Shaft Type: Long Key Shaft
Oil Amount: 270	Oil Type: SP15
Connector: 1 Wire male Packard	System: R-134a

Part No: 1410018




Voltage: 12V	Material: Aluminum
Mount: Direct ADM/LDM	Model Type: SD7H15HD
Clutch Size: 4 15/16" (125mm)	OEM Model No: 4695, 4752, 4491
Cylinder Head Type: JDA/JD	No. of Grooves: A2
Cylinder Head Port Angle: Vertical	Clutch Assembly No: 6593-6010, RB 4426-9931, 4752-9931
Cylinder Head Size/Thread: 3/4 x 7/8	Clutch Shaft Type: Long Key Shaft
Oil Amount: 300	Oil Type: SP15
Connector: Packard Long/Solder/Diode 1530002	System: R-134a

Part No: 1410019




Voltage: 12V	Material: Aluminum
Mount: Ear 8 Long	Model Type: SD7H15HD
Clutch Size: 4 15/16" (125mm)	OEM Model No: 4696, 4426, 4041
Cylinder Head Type: GQ	No. of Grooves: A2
Cylinder Head Port Angle: Vertical	Clutch Assembly No: 4695-9931, RB 4426-9931
Cylinder Head Size/Thread: Pad @ 90	Clutch Shaft Type: Long Key Shaft
Oil Amount: 300	Oil Type: SP15
Connector: Packard long/Solder/Diode 1530002 200mm	System: R-134a

Part No: 1410020



Voltage: 12V	Material: Aluminum
Mount: Ear 8 Long	Model Type: SD7H15HD
Clutch Size: 5 1/8" (130mm)	OEM Model No: 4700, 4895
Cylinder Head Type: KC	No. of Grooves: PV8
Cylinder Head Port Angle: Horizontal	Clutch Assembly No: 4700-9931, 4895-9931
Cylinder Head Size/Thread: 3/4 x 7/8	Clutch Shaft Type: Key RDA/Cyl. HD Port on V.C/L
Oil Amount: 300	Oil Type: SP15
Connector: 2 Wire Female Packard #15300002	System: R-134a

Part No: 1410021



Voltage: 12V	Material: Aluminum
Mount: Ear 8 Long	Model Type: SD7H15HD
Clutch Size: 5 3/16" (132mm)	OEM Model No: 4717, 4893, 4777
Cylinder Head Type: WV	No. of Grooves: A2
Cylinder Head Port Angle: Horizontal	Clutch Assembly No: 4694-9931, 4890-9931, 4777-9931
Cylinder Head Size/Thread: 2 Pad @ 45 Offset	Clutch Shaft Type: Long Key Shaft
Oil Amount: 300	Oil Type: SP15
Connector: 2 Wire Female Packard/15300002	System: R-134a

Sanden Style Compressors

COMPRESSORS

Part No: 1410022



Voltage: 12V	Material: Aluminum
Mount: Direct ADM/LDM	Model Type: SD7H15HD
Clutch Size: 4 11/16" (119mm)	OEM Model No: 4759, 4432, 4042
Cylinder Head Type: GQ	No. of Grooves: PV8
Cylinder Head Port Angle: Vertical	Clutch Assembly No: 4776-9931, 4417-9931
Cylinder Head Size/Thread: Pad @ 90	Clutch Shaft Type: Involute Spline 13 x 24 0.5
Oil Amount: 300	Oil Type: SP15
Connector: 15300002/3 pin Metripack truck/4 pin Metripack truck	System: R-134a

Part No: 1410023



Voltage: 12V	Material: Aluminum
Mount: Direct ADM/LDM	Model Type: SD7H15HD
Clutch Size: 4 11/16" (119mm)	OEM Model No: 4776, 4885, 4421, 4482
Cylinder Head Type: MDA	No. of Grooves: PV8
Cylinder Head Port Angle: Horizontal	Clutch Assembly No: 4816-9931, 4885-9931, 4417-9931, 4420-9931, 4705-9930
Cylinder Head Size/Thread: 1 x 14	Clutch Shaft Type: Involute Spline 13 x 24 0.5
Oil Amount: 300	Oil Type: SP15
Connector: 2 Wire Female Packard/15300002	System: R-134a

Part No: 1410024



Voltage: 12V	Material: Aluminum
Mount: Direct ADM/LDM	Model Type: SD7H15HD
Clutch Size: 5 3/16" (132mm)	OEM Model No: 4715, 4778, 4890
Cylinder Head Type: WV	No. of Grooves: A2
Cylinder Head Port Angle: Horizontal	Clutch Assembly No: 4694-9931, 4777-9931, 4890-9931
Cylinder Head Size/Thread: 2 Pad @ 45 Offset	Clutch Shaft Type: Involute Spline 13 x 24 0.5
Oil Amount: 300	Oil Type: SP15
Connector: 2 Wire Female Packard/15300002	System: R-134a

Part No: 1410025



Voltage: 12V	Material: Aluminum
Mount: Direct ADM/LDM	Model Type: SD7H15HD
Clutch Size: 4 15/16" (125mm)	OEM Model No: 4546, 4815
Cylinder Head Type: GWA/GH	No. of Grooves: PV6
Cylinder Head Port Angle: Horizontal	Clutch Assembly No: 4883-9931, 4756-9931
Cylinder Head Size/Thread: Offset Pad 90/Pad	Clutch Shaft Type: Involute Spline 13 x 24 0.5
Oil Amount: 300	Oil Type: SP15
Connector: 2 Wire Female Packard/15300002	System: R-134a

Part No: 1410026



Voltage: 12V	Material: Aluminum
Mount: Direct ADM/LDM	Model Type: SD7H15HD
Clutch Size: 4 15/16" (125mm)	OEM Model No: 4430, 4473, 4819
Cylinder Head Type: GH	No. of Grooves: PV6
Cylinder Head Port Angle: Horizontal	Clutch Assembly No: 4430-9931, 4424-9931, 4819-9931
Cylinder Head Size/Thread: Pad	Clutch Shaft Type: Long Key Shaft
Oil Amount: 300	Oil Type: SP15
Connector: 2 Wire Female Packard/15300002	System: R-134a

Part No: 1410027



Voltage: 12V	Material: Aluminum
Mount: Direct ADM/LDM	Model Type: SD7H15HD
Clutch Size: 4 11/16" (119mm)	OEM Model No: 4822
Cylinder Head Type: JDA	No. of Grooves: PV8
Cylinder Head Port Angle: Vertical	Clutch Assembly No: 4667-9931
Cylinder Head Size/Thread: 3/4 x 7/8	Clutch Shaft Type: Long Key Shaft
Oil Amount: 300	Oil Type: SP15
Connector: 2 Wire Female Packard/15300002	System: R-134a

Part No: 1410028



Voltage: 12V	Material: Aluminum
Mount: Direct ADM/LDM	Model Type: SD7H15HD
Clutch Size: 4 15/16" (125mm)	OEM Model No: 4883
Cylinder Head Type: JR	No. of Grooves: PV6
Cylinder Head Port Angle: Vertical	Clutch Assembly No: 4883-9931
Cylinder Head Size/Thread: Pad	Clutch Shaft Type: Long Key Shaft
Oil Amount: 300	Oil Type: SP15
Connector: 2 Wire Female Packard/15300002	System: R-134a

Part No: 1410029



Voltage: 12V	Material: Aluminum
Mount: Ear 8 Long	Model Type: SD7H15HD
Clutch Size: 4 15/16" (125mm)	OEM Model No: 4779, 4896
Cylinder Head Type: JD	No. of Grooves: A2
Cylinder Head Port Angle: Vertical	Clutch Assembly No: 4779-9931, 4896-9931
Cylinder Head Size/Thread: 3/4 x 7/8	Clutch Shaft Type: Involute Spline 13 x 24 0.5
Oil Amount: 300	Oil Type: SP15
Connector: 2 Wire Female Packard/15300002	System: R-134a

Part No: 1410031



Voltage: 12V	Material: Aluminum
Mount: Direct ADM/LDM	Model Type: SD7H15HD
Clutch Size: 4 11/16" (119mm)	OEM Model No: 4420
Cylinder Head Type: GV	No. of Grooves: PV8
Cylinder Head Port Angle: Horizontal	Clutch Assembly No: 4420-9931
Cylinder Head Size/Thread: GM Pad Metric	Clutch Shaft Type: Long Key Shaft
Oil Amount: 200	Oil Type: SP15
Connector: 1 Wire male Packard	System: R-134a



Part No: 1410041



Voltage: 12V	Material: Aluminum
Mount: Direct ADM/LDM	Model Type: SD7H15HD
Clutch Size: 4 11/16" (119mm)	OEM Model No: 4666, 4667
Cylinder Head Type: KC	No. of Grooves: PV8
Cylinder Head Port Angle: Horizontal	Clutch Assembly No: 6522-6010, 4417-9931
Cylinder Head Size/Thread: 3/4 x 7/8	Clutch Shaft Type: Long Key Shaft
Oil Amount: 300	Oil Type: SP15
Connector: 1 Wire male Bullet/Packard GM T&B 15300002 140mm	System: R-134a

Part No: 1410042



Voltage: 12V	Material: Aluminum
Mount: Ear 8 Long	Model Type: SD7H15HD
Clutch Size: 4 11/16" (119mm)	OEM Model No: 4705
Cylinder Head Type: GQ	No. of Grooves: PV8
Cylinder Head Port Angle: Vertical	Clutch Assembly No: 4417-9931
Cylinder Head Size/Thread: Pad @ 90	Clutch Shaft Type: Long Key Shaft
Oil Amount: 300	Oil Type: SP15
Connector: 2 pin Mertipak truck	System: R-134a

Part No: 1410043



Voltage: 12V	Material: Aluminum
Mount: Ear 8 Long	Model Type: SD7H15HD
Clutch Size: 4 11/16" (119mm)	OEM Model No: 4711
Cylinder Head Type: JD	No. of Grooves: PV8
Cylinder Head Port Angle: Vertical	Clutch Assembly No: 6522-6010
Cylinder Head Size/Thread: 3/4 x 7/8	Clutch Shaft Type: Long Key Shaft
Oil Amount: 135	Oil Type: SP15
Connector: 1 Wire male Bullet	System: R-134a

Part No: 1410044



Voltage: 12V	Material: Aluminum
Mount: Ear 8 Long	Model Type: SD7H15STD
Clutch Size: 4 11/16" (119mm)	OEM Model No: 4753
Cylinder Head Type: SJ	No. of Grooves: PV8
Cylinder Head Port Angle: Horizontal	Clutch Assembly No: 4753-9931
Cylinder Head Size/Thread: Pad (QB)	Clutch Shaft Type: Involute Spline 13 x 24 0.5
Oil Amount: 300	Oil Type: SP15
Connector: 2 Wire Ford E7EB14A464	System: R-134a

Part No: 1410046



Voltage: 12V	Material: Aluminum
Mount: SD7 Direct Long	Model Type: SD7H15
Clutch Size: 4 11/16" (119mm)	OEM Model No: 4816
Cylinder Head Type: GWA	No. of Grooves: PV8
Cylinder Head Port Angle: Horizontal	
Cylinder Head Size/Thread: O-Ring Compression	Clutch Shaft Type: Involute Spline 13 x 24 0.5
Oil Amount: 300	Oil Type: SP15
Connector: 2 Wire Female Packard #15300002	System: R-134a

Part No: 1410047



Voltage: 12V	Material: Aluminum
Mount: EAR	Model Type: SD7H15HD
Clutch Size: 4 59/64" (125mm)	OEM Model No: 4860
Cylinder Head Type: GV	No. of Grooves: A2
Cylinder Head Port Angle: Horizontal	Clutch Assembly No: 4419-9931
Cylinder Head Size/Thread: GM Pad Metric	Clutch Shaft Type: Long Key Shaft
Oil Amount: 200	Oil Type: SP15
Connector: 1 Wire male Packard	System: R-134a

Part No: 1410048



Voltage: 24V	
Mount: Ear 8 Long	Model Type: SD7H15HD
Clutch Size: 4 15/16" (125mm)	OEM Model No: 4862
Cylinder Head Type: GV	No. of Grooves: A2
Cylinder Head Port Angle: Horizontal	Clutch Assembly No: 4862-9931
Cylinder Head Size/Thread: GM Pad Metric	Clutch Shaft Type: Long Key Shaft
Oil Amount: 200	Oil Type: SP15
Connector: 1 Wire Male Packard #12015791 w/ Diode & Bullet Jumper	System: R-134a

Part No: 1410049



Voltage: 12V	Material: Aluminum
Mount: EAR	Model Type: SD7H15HD
Clutch Size: 4 11/16" (119mm)	OEM Model No: 4864
Cylinder Head Type: GV	No. of Grooves: PV8
Cylinder Head Port Angle: Horizontal	Clutch Assembly No: 4420-9931
Cylinder Head Size/Thread: GM Pad Metric	Clutch Shaft Type: Long Key Shaft
Oil Amount: 200	Oil Type: SP15
Connector: 1 Wire male Packard	System: R-134a

Part No: 1410050



Voltage: 24V	Material: Aluminum
Mount: EAR	Model Type: SD7H15HD
Clutch Size: 4 11/16" (119mm)	OEM Model No: 4866
Cylinder Head Type: GV	No. of Grooves: PV8
Cylinder Head Port Angle: Horizontal	Clutch Assembly No: 4866-9931
Cylinder Head Size/Thread: GM Pad Metric	Clutch Shaft Type: Long Key Shaft
Oil Amount: 200	Oil Type: SP15
Connector: 1 Wire male Packard	System: R-134a

Sanden Style Compressors

Part No: 1410051



Voltage: 12V	
Mount: Ear 8 Long	Model Type: SD7H15HD
Clutch Size: 6 1/4" (158mm)	OEM Model No: 4868
Cylinder Head Type: GV	No. of Grooves: C1
Cylinder Head Port Angle: Horizontal	Clutch Assembly No: 4868-9930
Cylinder Head Size/Thread: GM Pad Metric	Clutch Shaft Type: Key
Oil Amount: 200	Oil Type: SP15
Connector: 1 Wire male Packard	System: R-134a

Part No: 1410052



Voltage: 24V	Material: Aluminum
Mount: EAR	Model Type: SD7H15HD
Clutch Size: 6 7/32" (158mm)	OEM Model No: 4870
Cylinder Head Type: GV	No. of Grooves: C1
Cylinder Head Port Angle: Horizontal	Clutch Assembly No: 4870-9930
Cylinder Head Size/Thread: GM Pad Metric	Clutch Shaft Type: Long Key Shaft
Oil Amount: 200	Oil Type: SP15
Connector: 1 Wire male Packard	System: R-134a

Part No: 1410054



Voltage: 12V	
Mount: Ear 8 Long	Model Type: SD7H15SHD
Clutch Size: 4 11/16" (119mm)	OEM Model No: 4874
Cylinder Head Type: GV	No. of Grooves: PV8
Cylinder Head Port Angle: Horizontal	Clutch Assembly No: 4874-9932
Cylinder Head Size/Thread: GM Pad Metric	Clutch Shaft Type: Long Key Shaft
Oil Amount: 200	Oil Type: SP15
Connector: 1 Wire male Packard	System: R-134a

Part No: 1410055



Voltage: 24V	
Mount: Ear 8 Long	Model Type: SD7H15HD
Clutch Size: 6" (152mm)	OEM Model No: 4881
Cylinder Head Type: GV	No. of Grooves: A2
Cylinder Head Port Angle: Horizontal	Clutch Assembly No: 4881-9930
Cylinder Head Size/Thread: GM Pad Metric	Clutch Shaft Type: Long Key Shaft
Oil Amount: 200	Oil Type: SP15
Connector: 1 Wire male Packard	System: R-134a

Part No: 1410056



Voltage: 12V	Material: Aluminum
Mount: Ear 8 Long	Model Type: SD7H15HD
Clutch Size: 4 11/16" (119mm)	OEM Model No: 4718, 4305, 4427
Cylinder Head Type: WJ	No. of Grooves: PV8
Cylinder Head Port Angle: Vertical	Clutch Assembly No: 7731-9931, 4427-9931
Cylinder Head Size/Thread: Pad Top/Pad	Clutch Shaft Type: Long Key Shaft
Oil Amount: 300	Oil Type: SP15
Connector: 2 Wire Ford F5TB14A464	System: R-134a

Part No: 1410057



Voltage: 12V	Material: Aluminum
Mount: Ear 8 Long	Model Type: SD7H15HD
Clutch Size: 5 3/16" (132mm)	OEM Model No: 4603, 4469
Cylinder Head Type: WJ	No. of Grooves: A2
Cylinder Head Port Angle: Vertical	Clutch Assembly No: 6504-6010
Cylinder Head Size/Thread: Pad Top	Clutch Shaft Type: Long Key Shaft
Oil Amount: 300	Oil Type: SP15
Connector: 2 Wire Ford F5TB14A464	System: R-134a

Part No: 1410058



Voltage: 12V	Material: Aluminum
Mount: Direct ADM/LDM	Model Type: SD7H15HD
Clutch Size: 4 11/16" (119mm)	OEM Model No: 7804, 4474
Cylinder Head Type: WH	No. of Grooves: PV8
Cylinder Head Port Angle: Vertical	Clutch Assembly No: 4427-9931, 7731-9930
Cylinder Head Size/Thread: Pad (U) @ 45 internal 3/4 x 7/8	Clutch Shaft Type: Long Key Shaft
Oil Amount: 300	Oil Type: SP15
Connector: 2 Wire Ford F5TB14A464	System: R-134a

Part No: 1410059



Voltage: 12V	Material: Aluminum
Mount: Direct ADM/LDM	Model Type: SD7H15HD
Clutch Size: 4 11/16" (119mm)	OEM Model No: 4767, 4486, 4422, 4303
Cylinder Head Type: WH	No. of Grooves: PV8
Cylinder Head Port Angle: Vertical	Clutch Assembly No: 4767-9931, 4427-9931
Cylinder Head Size/Thread: Pad (U) @ 45 internal 3/4 x 7/8	Clutch Shaft Type: Involute Spline 13 x 24 0.5
Oil Amount: 300	Oil Type: SP15
Connector: 3 Wire Delphi 15300003	System: R-134a

Part No: 1410060



Voltage: 12V	Model Type: SD7H15HD
Mount: Ear 8 Long	OEM Model No: 4318
Clutch Size: 5 3/16" (132mm)	No. of Grooves: A2
Cylinder Head Type: UK	Clutch Assembly No: 6795-6110
Cylinder Head Port Angle: Vertical	Clutch Shaft Type: Key
Cylinder Head Size/Thread: Pad @ Top	Connector: 2 Wire Female Packard w/jumper



Part No: 1410061



Voltage: 24V	Material: Aluminum
Mount: Ear 8 Long	Model Type: SD7H15SHD
Clutch Size: 5 7/16" (138mm)	OEM Model No: 4604, 4468
Cylinder Head Type: GK	No. of Grooves: A1
Cylinder Head Port Angle: Horizontal	Clutch Assembly No: 4604-9931, 6590-6010
Cylinder Head Size/Thread: Pad @ H	Clutch Shaft Type: Long Key Shaft
Oil Amount: 300	Oil Type: SP15
Connector: 2 Wire Deutsch DT04-2P-E	System: R-134a

Part No: 1410062



Voltage: 24V	Material: Aluminum
Mount: Ear 8 Long	Model Type: SD5H14HD
Clutch Size: 5 3/16" (132mm)	OEM Model No: 4506, 4507, 6665
Cylinder Head Type: FL	No. of Grooves: A2
Cylinder Head Port Angle: Vertical	Clutch Assembly No: 6514-6210
Cylinder Head Size/Thread: 3/4 x 7/8	Clutch Shaft Type: Long Key Shaft
Oil Amount: 240	Oil Type: SP15
Connector: 1 Wire male Bullet	System: R-134a

Part No: 1410063




Voltage: 12V	
Mount: Ear 8 Long	Model Type: SD5H14HD
Clutch Size: 4 15/16" (125mm)	OEM Model No: 4508, 6656
Cylinder Head Type: FL	No. of Grooves: PV10
Cylinder Head Port Angle: Vertical	Clutch Assembly No: 6518-6210
Cylinder Head Size/Thread: 3/4 x 7/8	Clutch Shaft Type: Long Key Shaft
Oil Amount: 210/175	Oil Type: SP20
Connector: 1 Wire male Bullet	System: R-134a

Part No: 1410064



Voltage: 12V	Material: Aluminum
Mount: Ear 8 Long	Model Type: SD5H14HD
Clutch Size: 5 3/16" (132mm)	OEM Model No: 4509, 4510, 6664
Cylinder Head Type: FL	No. of Grooves: A2
Cylinder Head Port Angle: Vertical	Clutch Assembly No: 6514-6010, 6519-6010, 6514-6210
Cylinder Head Size/Thread: 3/4 x 7/8	Clutch Shaft Type: Long Key Shaft
Oil Amount: 210	Oil Type: SP20
Connector: 1 Wire male Bullet	System: R-134a

Part No: 1410065



Voltage: 24V	Material: Aluminum
Mount: Ear 8 Long	Model Type: SD5H14HD
Clutch Size: 6 1/4" (158mm)	OEM Model No: 4516, 6672
Cylinder Head Type: FL	No. of Grooves: C1
Cylinder Head Port Angle: Vertical	Clutch Assembly No: 6521-6210
Cylinder Head Size/Thread: 3/4 x 7/8	Clutch Shaft Type: Long Key Shaft
Oil Amount: 210	Oil Type: SP20
Connector: 1 Wire male Bullet	System: R-134a

Part No: 1410066



Voltage: 12V	Material: Aluminum
Mount: Ear 8 Long	Model Type: SD5H14HD
Clutch Size: 5 3/16" (132mm)	OEM Model No: 4536, 6676
Cylinder Head Type: K	No. of Grooves: A2
Cylinder Head Port Angle: Horizontal	Clutch Assembly No: 6514-6010, 6514-6210, 6519-6010
Cylinder Head Size/Thread: 3/4 x 7/8	Clutch Shaft Type: Long Key Shaft
Oil Amount: 210	Oil Type: SP20
Connector: 1 Wire male Bullet	System: R-134a

Part No: 1410067




Voltage: 12V	Material: Aluminum
Mount: Direct ADM/LDM	Model Type: SD7H15HD
Clutch Size: 6 11/16" (169mm)	OEM Model No: 4602
Cylinder Head Type: WH	No. of Grooves: A1
Cylinder Head Port Angle: Vertical	Clutch Assembly No: 7739-9931, 7739-9935
Cylinder Head Size/Thread: Pad (U) @ 45 internal 3/4 x 7/8	Clutch Shaft Type: Long Key Shaft
Oil Amount: 300	Oil Type: SP15
Connector: 2 Wire Ford F5TB14A464	System: R-134a

Part No: 1410068



Voltage: 12V	Model Type: SD7H15HD
Mount: Direct HDM/FDM	OEM Model No: 8105, 4628
Clutch Size: 4 11/16" (119mm)	No. of Grooves: PV6
Cylinder Head Type: JD	Clutch Assembly No: 6516-6010
Cylinder Head Port Angle: Vertical	Clutch Shaft Type: Long Key Shaft
Cylinder Head Size/Thread: 3/4 x 7/8	Oil Type: SP15
Oil Amount: 240	System: R-134a
Connector: 1 Wire male Bullet	

Part No: 1410069



Voltage: 12V	Model Type: SD7H15HD
Mount: Ear 8 Long	OEM Model No: 4653
Clutch Size: 4 11/16" (119mm)	No. of Grooves: PV6
Cylinder Head Type: CB	Clutch Assembly No: 4653-9930
Cylinder Head Port Angle: Vertical	Clutch Shaft Type: Long Key Shaft
Cylinder Head Size/Thread: 1 x 14	Oil Type: SP15
Oil Amount: 175	System: R-134a
Connector: 2 Wire Ford E7EB14A464	

Sanden Style Compressors

COMPRESSORS

Part No: 1410070



Voltage: 12V	Material: Aluminum
Mount: Ear 8 Long	Model Type: SD7H15HD
Clutch Size: 4 15/16" (125mm)	OEM Model No: 4713
Cylinder Head Type: JDA	No. of Grooves: A2
Cylinder Head Port Angle: Vertical	Clutch Assembly No: 4647-9931, 6504-6310
Cylinder Head Size/Thread: 3/4 x 7/8	Clutch Shaft Type: Long Key Shaft
Oil Amount: 300	Oil Type: SP15
Connector: Single Wire Packard 12V015791	System: R-134a

Part No: 1410071



Voltage: 12V	Model Type: SD7H15HD
Mount: Ear 8 Long	OEM Model No: 7819
Clutch Size: 4 15/16" (125mm)	No. of Grooves: A2
Cylinder Head Type: MD	Clutch Assembly No: 7819-9930
Cylinder Head Port Angle: Horizontal	Clutch Shaft Type: Key/Port 7mm Above H. C/L
Cylinder Head Size/Thread: 1 x 14	Oil Type: SP15
Oil Amount: 150	System: R-134a
Connector: 1 Wire male Bullet	

Part No: 1410072



Voltage: 12V	Model Type: SD7H15HD
Mount: Ear 8 Long	OEM Model No: 7822
Clutch Size: 4 11/16" (119mm)	No. of Grooves: PV8
Cylinder Head Type: MD	Clutch Assembly No: 6522-6010
Cylinder Head Port Angle: Horizontal	Clutch Shaft Type: Key/Port 7mm Above H. C/L
Cylinder Head Size/Thread: 1 x 14	Oil Type: SP15
Oil Amount: 240	System: R-134a
Connector: 1 Wire male Bullet	

Part No: 1410073



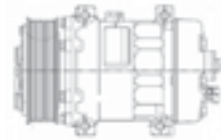
Voltage: 12V	Model Type: SD7H15HD
Mount: Ear 8 Long	OEM Model No: 4308
Clutch Size: 6" (152mm)	No. of Grooves: A2
Cylinder Head Type: GV	Clutch Assembly No: 6776-6210
Cylinder Head Port Angle: Horizontal	Clutch Shaft Type: Long Key Shaft
Cylinder Head Size/Thread: 3/4 x 7/8	Oil Type: SP15
Oil Amount: 135	System: R-134a
Connector: 1 Wire Male Packard #12015791 W/ Diode	

Part No: 1410074



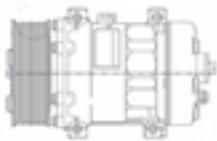
Voltage: 12V	Material: Aluminum
Mount: Direct ADM/LDM	Model Type: SD7H15HD
Clutch Size: 4 11/16" (119mm)	OEM Model No: 4307
Cylinder Head Type: WJ	No. of Grooves: PV8
Cylinder Head Port Angle: Vertical	Clutch Assembly No: 4417-9931, 4420-9931
Cylinder Head Size/Thread: Pad Top	Clutch Shaft Type: Long Key Shaft
Oil Amount: 300	Oil Type: SP15
Connector: 2 Wire Female Packard #15300002	System: R-134a

Part No: 1410075



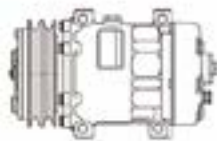
Voltage: 12V	Model Type: SD7H15HD
Mount: Direct ADM/LDM	OEM Model No: 4028
Clutch Size: 4 11/16" (119mm)	No. of Grooves: PV8
Cylinder Head Type: GV	Clutch Assembly No: 4420-9931
Cylinder Head Port Angle: Horizontal	Clutch Shaft Type: Long Key Shaft
Cylinder Head Size/Thread: GM Pad Metric	Oil Type: SP15
Oil Amount: 250	System: R-134a
Connector: 1 Wire Male Packard #12015791 w/ Diode	

Part No: 1410076



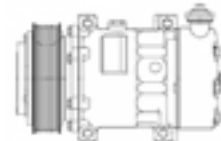
Voltage: 12V	Model Type: SD7H15 Enhanced
Mount: Direct ADM/LDM	OEM Model No: 4034
Clutch Size: 4 11/16" (119mm)	No. of Grooves: PV10
Cylinder Head Type: GV	Clutch Assembly No: 4347-9930
Cylinder Head Port Angle: Horizontal	Clutch Shaft Type: Long Key Shaft
Cylinder Head Size/Thread: GM Pad Metric	Oil Type: SP15
Oil Amount: 300	System: R-134a
Connector: 2 pin Metripack truck	

Part No: 1410077



Voltage: 24V	Model Type: SD7H15 Enhanced
Mount: Direct ADM/LDM	OEM Model No: 4052
Clutch Size: 4 15/16" (125mm)	No. of Grooves: A2
Cylinder Head Type: GV	Clutch Assembly No: N/A
Cylinder Head Port Angle: Horizontal	Clutch Shaft Type: Long Key Shaft
Cylinder Head Size/Thread: GM Pad Metric	Oil Type: SP15
Oil Amount: 300	System: R-134a
Connector: 1 Wire Male Packard #12015791 w/ Diode	

Part No: 1410080



Voltage: 12V	Material: Aluminum
Mount: Direct TDM/SDM	Model Type: SD7H15SPRHD
Clutch Size: 5" (127mm)	OEM Model No: 4379
Cylinder Head Type: GSA	No. of Grooves: PV7
Cylinder Head Port Angle: Vertical	Clutch Assembly No: 4379-9931
Cylinder Head Size/Thread: Pad	Clutch Shaft Type: Long Key Shaft
Oil Amount: 300	Oil Type: SP15
Connector: 2 pin Metripack truck	System: R-134a

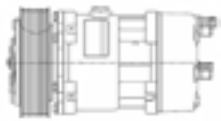


Part No: 1410082



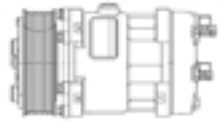
Voltage: 12V	Material: Aluminum
Mount: Direct ADM/LDM	Model Type: SD7H15HD/SD7H15 Enhanced
Clutch Size: 4 15/16" (125mm)	OEM Model No: 4423, 4304
Cylinder Head Type: GH	No. of Grooves: PV6
Cylinder Head Port Angle: Horizontal	Clutch Assembly No: 4423-9931
Cylinder Head Size/Thread: Pad	Clutch Shaft Type: Long Key Shaft
Oil Amount: 300	Oil Type: SP15
Connector: 2 Wire Ford F5TB14A464	System: R-134a

Part No: 1410083




Voltage: 12V	Material: Aluminum
Mount: Ear 8 Long	Model Type: SD7H15/SD7H15HD
Clutch Size: 5 1/8" (130mm)	OEM Model No: 4659, 4781
Cylinder Head Type: KC	No. of Grooves: PV8
Cylinder Head Port Angle: Horizontal	Clutch Assembly No: 4659-9931, 4781-9931
Cylinder Head Size/Thread: 3/4 x 7/8	Clutch Shaft Type: Involute Spline 13 x 24 0.5
Oil Amount: 270	Oil Type: SP15
Connector: 1 Wire male Packard	System: R-134a

Part No: 1410084



Voltage: 12V	Material: Aluminum
Mount: Ear 8 Long	Model Type: SD7H15HD
Clutch Size: 4 11/16" (119mm)	OEM Model No: 4739
Cylinder Head Type: KG	No. of Grooves: PV8
Cylinder Head Port Angle: Horizontal	Clutch Assembly No: 4776-9931
Cylinder Head Size/Thread: 3/4 x 7/8	Clutch Shaft Type: Long Key Shaft
Oil Amount: 300	Oil Type: SP15
Connector: 2 pin Metripack truck	System: R-134a

Part No: 1410085



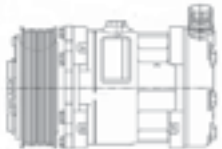
Voltage: 24V	Model Type: SD7H15HD
Mount: Ear 8 Long	OEM Model No: 4745
Clutch Size: 6 1/4" (158mm)	No. of Grooves: C1
Cylinder Head Type: JD	Clutch Assembly No: 6719-6110
Cylinder Head Port Angle: Vertical	Clutch Shaft Type: Long Key Shaft
Cylinder Head Size/Thread: 3/4 x 7/8	Oil Type: SP15
Oil Amount: 175	System: R-134a
Connector: 1 Wire male Bullet	

Part No: 1410086



Voltage: 12V	Model Type: SD7H15HD
Mount: Direct TDM/SDM	OEM Model No: 4332
Clutch Size: 5 1/8" (130mm)	No. of Grooves: PV7
Cylinder Head Type: SJA	Clutch Assembly No: 4754-9930
Cylinder Head Port Angle: Horizontal	Clutch Shaft Type: SPLINED
Cylinder Head Size/Thread: Pad (QB)	Oil Type: SP15
Oil Amount: 240	System: R-134a
Connector: 2 Wire Female Packard #12177071	

Part No: 1410087



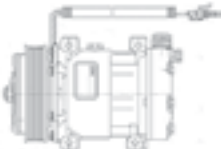
Voltage: 24V	Model Type: SD7H15HD
Mount: Ear 8 Long	OEM Model No: 4762
Clutch Size: 4 11/16" (119mm)	No. of Grooves: PV8
Cylinder Head Type: JD	Clutch Assembly No: 4762-9931
Cylinder Head Port Angle: Vertical	Clutch Shaft Type: Long Key Shaft
Cylinder Head Size/Thread: 3/4 x 7/8	Oil Type: SP15
Oil Amount: 175	System: R-134a
Connector: 1 Wire male Bullet	

Part No: 1410088



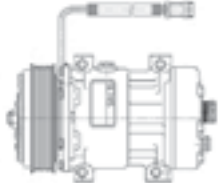
Voltage: 12V	Material: Aluminum
Mount: SD7 Direct Long	Model Type: SD7H15HD
Clutch Size: 4 11/16" (119mm)	OEM Model No: 4418
Cylinder Head Type: 441	No. of Grooves: PV8
Cylinder Head Port Angle: Vertical	Clutch Assembly No: 4417-9931
Cylinder Head Size/Thread: O-Ring Compression	Clutch Shaft Type: Long Key Shaft
Oil Amount: 300	Oil Type: SP15
Connector: 2 Wire Female Packard #15300002	System: R-134a

Part No: 1410091



Voltage: 12V	Model Type: SD7H15
Mount: SD7 Direct Long	OEM Model No: 4687
Clutch Size: 4 15/16" (125mm)	No. of Grooves: PV6
Cylinder Head Type: CBA	Clutch Shaft Type: Long Key Shaft
Cylinder Head Port Angle: Vertical	Oil Type: SP15
Cylinder Head Size/Thread: 1 x 14	System: R-134a
Oil Amount: 155	Connector: 1 Wire male Packard

Part No: 1410092

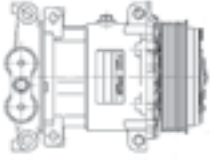


Voltage: 12V	Model Type: SD7H15
Mount: Direct ADM/LDM	OEM Model No: 4492
Clutch Size: 4 15/16" (125mm)	No. of Grooves: PV6
Cylinder Head Type: MDA	Cylinder Head Port Angle: Horizontal
Connector: 2 Wire Female Packard	Cylinder Head Size/Thread: 1 x 14
Oil Amount: 155	Oil Type: SP15
System: R-134a	

Sanden Style Compressors


COMPRESSORS

Part No: 1410093




Voltage: 12V	Model Type: SD7H15
Mount: SD7 Direct GM	OEM Model No: 4362
Clutch Size: 4 11/16" (119mm)	No. of Grooves: PV7
Cylinder Head Type: GT	Clutch Shaft Type: Involute Spline 13 x 24 0.5
Cylinder Head Port Angle: Vertical	Oil Type: SP15
Oil Amount: 155	System: R-134a
Connector: 2 Wire Female Packard #12177071	

Part No: 1410094



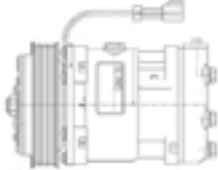
Voltage: 12V	Model Type: SD7H15
Mount: Ear 8 Long	OEM Model No: 4820
Clutch Size: 4 11/16" (119mm)	No. of Grooves: PV8
Cylinder Head Type: GH	Clutch Shaft Type: Long Key Shaft
Cylinder Head Port Angle: Horizontal	Oil Type: SP15
Oil Amount: 155	System: R-134a
Connector: 2 Wire Female Packard #15300002	

Part No: 1410095



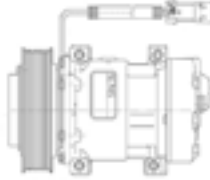
Voltage: 12V	Model Type: SD7H15
Mount: Ear 8 Long	OEM Model No: 4495
Clutch Size: 4 11/16" (119mm)	No. of Grooves: PV8
Cylinder Head Type: GV	Oil Type: SP15
Cylinder Head Port Angle: Horizontal	System: R-134a
Cylinder Head Size/Thread: 3/4 x 7/8	Connector: 1 Wire male Bullet

Part No: 1410097



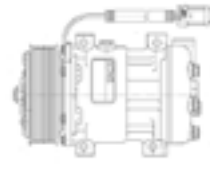
Voltage: 12V	Model Type: SD7H15
Mount: Ear 8 Long	OEM Model No: 4467
Clutch Size: 5 1/16" (128mm)	No. of Grooves: PV6
Cylinder Head Type: UK	Clutch Shaft Type: Long Key Shaft
Cylinder Head Port Angle: Vertical	Oil Type: SP15
Oil Amount: 155	System: R-134a
Connector: 2 Wire Female Packard #15300002	

Part No: 1410099



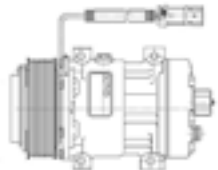
Voltage: 12V	Material: Aluminum
Mount: SD7 Direct Short	Model Type: SD7H15
Clutch Size: 5 1/2" (140mm)	OEM Model No: 4082
Cylinder Head Port Angle: Horizontal	No. of Grooves: PV8
Cylinder Head Size/Thread: O-Ring Compression	Clutch Assembly No: 4802-9931
Oil Amount: 300	Clutch Shaft Type: Long Key Shaft
Connector: 2 Wire Female Packard #15300002	Oil Type: SP15
System: R-134a	

Part No: 1410100



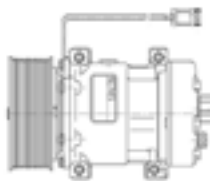
Voltage: 12V	Material: Aluminum
Mount: SD7 Direct Long	Model Type: SD7H15
Clutch Size: 4 11/16" (119mm)	OEM Model No: 4083
Cylinder Head Port Angle: Vertical	No. of Grooves: PV8
Cylinder Head Size/Thread: 3/4 x 7/8 Internal Thread	Clutch Assembly No: 4705-9930
Oil Amount: 300	Clutch Shaft Type: Long Key Shaft
Connector: 2 Wire Female Packard #15300002	Oil Type: SP15
System: R-134a	

Part No: 1410101



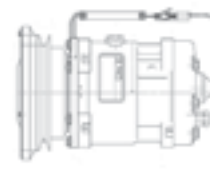
Voltage: 12V	Material: Aluminum
Mount: SD7 Direct Long	Model Type: SD7H15
Clutch Size: 4 11/16" (119mm)	OEM Model No: 4084
Cylinder Head Port Angle: Horizontal	No. of Grooves: PV8
Cylinder Head Size/Thread: 1 x 14	Clutch Assembly No: 4368-9931
Oil Amount: 300	Clutch Shaft Type: Long Key Shaft
Connector: 2 Wire Female Packard #15300002	Oil Type: SP15
System: R-134a	

Part No: 1410102



Voltage: 12V	Material: Aluminum
Mount: SD7 Direct Short	Model Type: SD7H15
Clutch Size: 4 15/16" (125mm)	OEM Model No: 4088
Cylinder Head Port Angle: Horizontal	No. of Grooves: PV12
Cylinder Head Size/Thread: 1 x 14	Clutch Assembly No: 4370-9931
Oil Amount: 300	Clutch Shaft Type: Long Key Shaft
Connector: 2 Wire Female Packard #15300002	Oil Type: SP15
System: R-134a	


Part No: 1410104



Voltage: 24V	Model Type: SD7H15
Mount: Ear 8 Long	OEM Model No: 4877
Clutch Size: 5 7/16" (138mm)	No. of Grooves: A1
Cylinder Head Type: GV	Clutch Shaft Type: Long Key Shaft
Cylinder Head Port Angle: Horizontal	Oil Type: SP15
Oil Amount: 155	System: R-134a
Connector: 1 Wire male Packard	




Part No: 1410105



Voltage: 12V	Model Type: SD7H15
Mount: Ear 8 Long	OEM Model No: 4875
Clutch Size: 5 7/16" (138mm)	No. of Grooves: A1
Cylinder Head Type: GV	Clutch Shaft Type: Long Key Shaft
Cylinder Head Port Angle: Horizontal	Oil Type: SP15
Oil Amount: 155	System: R-134a
Connector: 1 Wire male Packard	

Part No: 1412001



Voltage: 12V	Material: Aluminum
Mount: Ear 8 Long	Model Type: SD7H15
Clutch Size: 4 59/64" (125mm)	OEM Model No: 4872
Cylinder Head Type: GV	No. of Grooves: PV10
Cylinder Head Port Angle: Horizontal	Clutch Assembly No: 4872-9930
Cylinder Head Size/Thread: O-Ring	Clutch Shaft Type: Long Key Shaft
Oil Amount: 200	Oil Type: SP15
Connector: 1 Wire Male Packard #12015791 w/ Diode	System: R-134a

Part No: 1412002




Voltage: 12V	Material: Aluminum
Mount: SD7 Direct Long	Model Type: SD7H15
Clutch Size: 4 59/64" (125mm)	OEM Model No: 4419
Cylinder Head Type: GV	No. of Grooves: A2
Cylinder Head Port Angle: Horizontal	Clutch Assembly No: 4419-9931
Cylinder Head Size/Thread: O-Ring	Clutch Shaft Type: Long Key Shaft
Oil Amount: 200	Oil Type: SP15
Connector: 1 Wire Male Packard #12015791 w/ Diode	System: R-134a

Part No: 1412003



Voltage: 12V	Material: Aluminum
Mount: Ear 8 Long	Model Type: SD7H15
Clutch Size: 4 11/16" (119mm)	OEM Model No: 4672
Cylinder Head Type: MDA	No. of Grooves: PV8
Cylinder Head Port Angle: Horizontal	Clutch Assembly No: 4672-9931
Cylinder Head Size/Thread: 1 x 14	Clutch Shaft Type: Long Key Shaft
Oil Amount: 240	Oil Type: SP15
Connector: 1 Wire Male Packard #12015791 w/ Diode	System: R-134a

Part No: 1412004



Voltage: 12V	Material: Aluminum
Mount: EAR	Model Type: SD7H15HD
Clutch Size: 5 13/64" (132mm)	OEM Model No: 4821, 4429, 4472
Cylinder Head Type: GH	No. of Grooves: A2
Cylinder Head Port Angle: Horizontal	Clutch Assembly No: 4752-9931, 4428-9931
Cylinder Head Size/Thread: Pad	Clutch Shaft Type: Long Key Shaft
Oil Amount: 300	Oil Type: SP15
Connector: 15300002	System: R-134a

Part No: 1412005



Voltage: 12V	Material: Aluminum
Mount: Direct TDM/SDM	Model Type: SD7H15HD
Clutch Size: 5 1/8" (130mm)	OEM Model No: 4823
Cylinder Head Type: KC	No. of Grooves: PV8
Cylinder Head Port Angle: Horizontal	Clutch Assembly No: 4823-9930
Cylinder Head Size/Thread: 3/4 x 7/8	Clutch Shaft Type: Involute Spline 13 x 24 0.5
Oil Amount: 300	Oil Type: SP15
Connector: 1 Wire male Packard	System: R-134a

Part No: 1412006



Voltage: 12V	Material: Aluminum
Mount: Direct ADM/LDM	Model Type: SD7H15HD
Clutch Size: 4 59/64" (125mm)	OEM Model No: 4897
Cylinder Head Type: KCA	No. of Grooves: PV6
Cylinder Head Port Angle: Horizontal	Clutch Assembly No: 4819-9931
Cylinder Head Size/Thread: 3/4 x 7/8	Clutch Shaft Type: Long Key Shaft
Oil Amount: 300	Oil Type: SP15
Connector: 15300002	System: R-134a

Part No: 1412007



Voltage: 12V	Material: Aluminum
Mount: Direct ADM/LDM	Model Type: SD7H15HD
Clutch Size: 4 59/64" (125mm)	OEM Model No: 4027
Cylinder Head Type: GV	No. of Grooves: PV6
Cylinder Head Port Angle: Horizontal	Clutch Assembly No: 4883-9931
Cylinder Head Size/Thread: GM Pad Metric	Clutch Shaft Type: Long Key Shaft
Oil Amount: 250	Oil Type: SP15
Connector: 12V015791	System: R-134a

Part No: 1412008



Voltage: 12V	Material: Aluminum
Mount: Direct ADM/LDM	Model Type: SD7H15 Enhanced
Clutch Size: 4 11/16" (119mm)	OEM Model No: 4347
Cylinder Head Type: 4347	No. of Grooves: PV10
Cylinder Head Port Angle: Vertical	Clutch Assembly No: 4347-9930
Cylinder Head Size/Thread: Pad @ 45	Clutch Shaft Type: Long Key Shaft
Oil Amount: 300	Oil Type: SP15
Connector: 2 pin Metripack truck	System: R-134a

Sanden Style Compressors

COMPRESSORS

Part No: 1412009



Voltage: 12V	Material: Aluminum
Mount: Direct	Model Type: SD7H15SPRHD
Clutch Size: 7 3/32" (180mm)	OEM Model No: 4326
Cylinder Head Type: WV	No. of Grooves: PV8
Cylinder Head Port Angle: Horizontal	Clutch Assembly No: Not Serviced
Cylinder Head Size/Thread: O-Ring	Clutch Shaft Type: Long Key Shaft
Oil Amount: 300	Oil Type: SP15
Connector: 15300002	System: R-134a

Part No: 1412010



Voltage: 12V	Material: Aluminum
Mount: Direct Short	Model Type: SD7H15SPRHD/SD7H15
Clutch Size: 5 1/2" (140mm)	OEM Model No: 4108, 4802, 4108U
Cylinder Head Type: 480	No. of Grooves: PV8
Cylinder Head Port Angle: Vertical	Clutch Assembly No: 4802-9931
Cylinder Head Size/Thread: O-Ring Compression	Clutch Shaft Type: Long Key Shaft
Oil Amount: 300	Oil Type: SP15
Connector: 15300002	System: R-134a

Part No: 1412011



Voltage: 12V	Material: Aluminum
Mount: Direct Short	Model Type: SD7H15SPRHD
Clutch Size: 5 3/64" (128mm)/5 1/8" (130mm)	OEM Model No: 4117, 4286, 2134, 9570
Cylinder Head Type: WV	No. of Grooves: PV8
Cylinder Head Port Angle: Horizontal	Clutch Assembly No: Not Serviced
Cylinder Head Size/Thread: O-Ring	Clutch Shaft Type: Long Key Shaft
Oil Amount: 300	Oil Type: SP15
Connector: 15300002	System: R-134a

Part No: 1412012




Voltage: 12V	Material: Aluminum
Mount: EAR	Model Type: SD7H15SPRHD
Clutch Size: 4 59/64" (125mm)	OEM Model No: 4392
Cylinder Head Type: JDA	No. of Grooves: A2
Cylinder Head Port Angle: Vertical	Clutch Assembly No: 4383-9931
Cylinder Head Size/Thread: 3/4 x 7/8	Clutch Shaft Type: Long Key Shaft
Oil Amount: 300	Oil Type: SP15
Connector: 2 pin Metripack truck	System: R-134a

Part No: 1412013



Voltage: 12V	Material: Aluminum
Mount: Direct Short	Model Type: SD7H15SPRHD
Clutch Size: 4 59/64" (125mm)	OEM Model No: 4285, 412V0U
Cylinder Head Type: WV	No. of Grooves: PV8
Cylinder Head Port Angle: Horizontal	Clutch Assembly No: 4376-9931
Cylinder Head Size/Thread: O-Ring	Clutch Shaft Type: Long Key Shaft
Oil Amount: 300	Oil Type: SP15
Connector: 15300002	System: R-134a

Part No: 1412014



Voltage: 12V	Material: Aluminum
Mount: SD7 Direct Short	Model Type: SD7H15
Clutch Size: 4 31/32" (127mm)	OEM Model No: 4384, 4384U
Cylinder Head Type: N/A	No. of Grooves: PV10
Cylinder Head Port Angle: Vertical	Clutch Assembly No: 4369-9931
Cylinder Head Size/Thread: O-Ring Compression	Clutch Shaft Type: Long Key Shaft
Oil Amount: 300	Oil Type: SP15
Connector: 2 Wire Female Packard #15300002	System: R-134a

Harnesses

Part No: 1399084



General Specifications: Harness converts single Wire to dual Wire.

Part No: 2099029



General Specifications: Spike Protection Kit

Head Types

STYLE B



Vertical Flare
3/4 x 7/8

STYLE C



Vertical Tube O-Ring
1 x 14

STYLE FC



Vertical Standard
Tube O-Ring 3/4 x 7/8

STYLE FG



STYLE FL



Vertical O-Ring
3/4 x 7/8

STYLE GWA



Horizontal Pad Type

STYLE JD



Vertical O-Ring
3/4 x 7/8

STYLE JDA

STYLE K



Horizontal O-Ring
3/4 x 7/8

STYLE KC

STYLE M



Horizontal Tube O-Ring
1 x 14





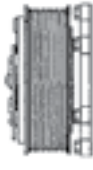




Sanden Style Compressors

Sanden Clutch Variations

One Wire

Two Wire

<p>Double Groove 125mm 132mm</p>	<p>Double Groove 125mm 132mm 152mm</p>	
<p>Single Variable Groove 158mm</p>		
<p>Single Offset Groove 122mm 138mm</p>		
<p>7 Poly Groove 119mm</p>	<p>7 Poly Groove 119mm 130mm</p>	
<p>8 Poly Groove 119mm 133mm</p>	<p>8 Poly Groove 119mm 130mm 132mm 152mm</p>	
<p>6 Poly Groove 119mm</p>	<p>6 Poly Groove 125mm</p>	
<p>10 Poly Groove 125mm</p>		

COMPRESSORS



Manufacturing Date Codes

Manufacturing date codes are stamped on the mounting ear or boss at the front left of the compressor as seen when facing the clutch, with oil plug or adaptor up.

Year of manufacture (first digit):
(i.e. 2 indicates manufacture in 1992)
Month of manufacture (last digit):
Jan. - Sept.: 1 - 9
Oct.: X
Nov.: Y
Dec.: Z

Stamped on Compressor
Manufactured in USA Only

Compressor Nomenclature

Identification

R-12 Compressors

S D - 7 0 9

Sanden reciprocating wobble plate compressors
Number of cylinders
Approximate displacement, in cubic inches

R-134a Compressors

S D 7 H 1 5 H D

Sanden reciprocating wobble plate compressors
Number of cylinders
Port location (H if on head, B if on block)
Approximate displacement, in cubic centimeters (divided by 10)
Heavy-duty (HD) or Sealed Heavy-duty (SHD) clutch

Assembly Mounting Angles

All Sanden R-134a Compressors

Oil Filler Plug

90° 90°

Label Configuration

Manufacturing location code

00-06 Japan
70-79 USA
80-89 Singapore

SD7H15

Serial No:
123456 0-1 1 70

Serial Number
Month of manufacture (1 - 12)
Year of manufacture (last digit)

Sanden R-134a Model Specifications

Model	Refrigerant	Displacement cubic inch (cc)	Typical Weight, lb. (kg.)			Standard Oil Charge			Rotation
			Compressor	Clutch	Assembly	Oil Type	System Type	Amount fl. oz. (cc)	
SD5H14	R-134a	8.4 (138)	11.2 (5.1)	6.0 (2.7)	17.2 (7.8)	SP-20	TXV	7.2±0.5 (210±15)	Either way
							CCOT	No Standard	
SD7B10	R-134a	6.1 (100)	5.9 (2.7)	3.3 (1.5)	9.2 (4.2)	SP-10	TXV	No Standard	CW only
SD7H13	R-134a	7.9 (129)	9.3 (4.2)	4.6 (2.1)	13.9 (6.3)	SP-20	TXV	4.6±0.5 (135±15)	CW only
SD7H15/HD	R-134a	9.5 (155)	9.9 (4.5)	5.3 (2.4)	15.2 (6.9)	SP-20	TXV	4.6±0.5 (135±15)	CW only
							CCOT	8.1±0.5 (240±15)	
SD7H15/SHD	R-134a	9.5 (155)	9.9 (4.5)	7.7 (3.5)	17.6 (8.0)	SP-20	TXV	4.6±0.5 (135±15)	CW only
							CCOT	8.1±0.5 (240±15)	



Sanden Style Compressors

R-12 to R-134a Model Conversions

Type	R-12	R-134a
5 Cylinder	SD-505	SD7B10/SD5H09
	SD-507	SD5H11
	SD-508	SD5H14
	SD-510	SD7H15HD & SD5H14HD
7 Cylinder	SDB-706	SD7B10
	SD-708	SD7H13
	SD-709	SD7H15
	SDB-709	SD7B15

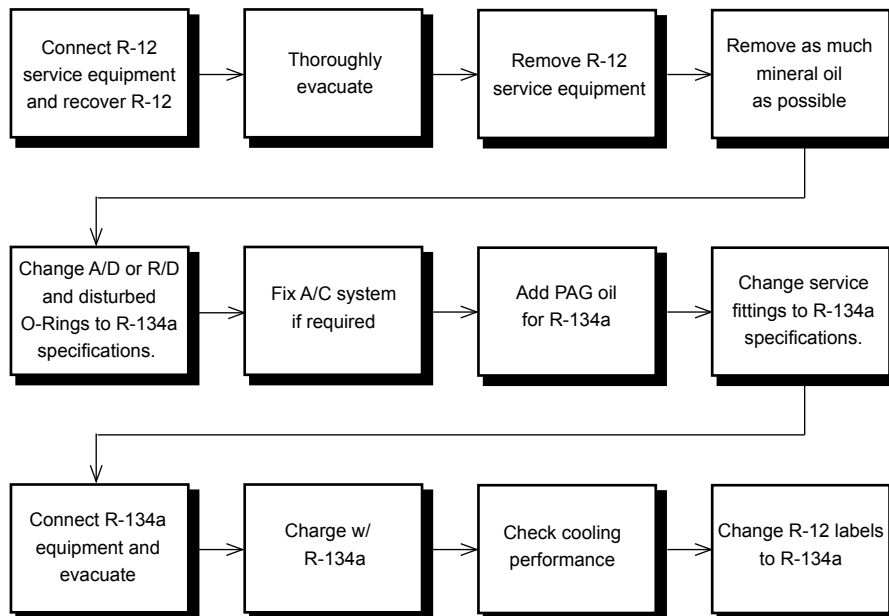
Belt Tension

Grooves	Tension, lb. (kgf.)
A	121±5 (55±2)
B	132±5 (60±2)
C	132±5 (60±2)
M	132±5 (60±2)
PV4	132±5 (60±2)
PV6	198±5 (60±2)

Speed Rating

Model	Clutch Type	Max RPM	
		Constant	Downshift
SD5H14	Std.	6,000	7,000
SD5H14	HD	4,000	6,000
SD7B10	All	6,000	7,000
SD7H13	All	6,000	8,000
SD7H15	Std.	6,000	8,000
SD7H15	HD	4,000	6,000
SD7H15	SHD	4,000	4,000

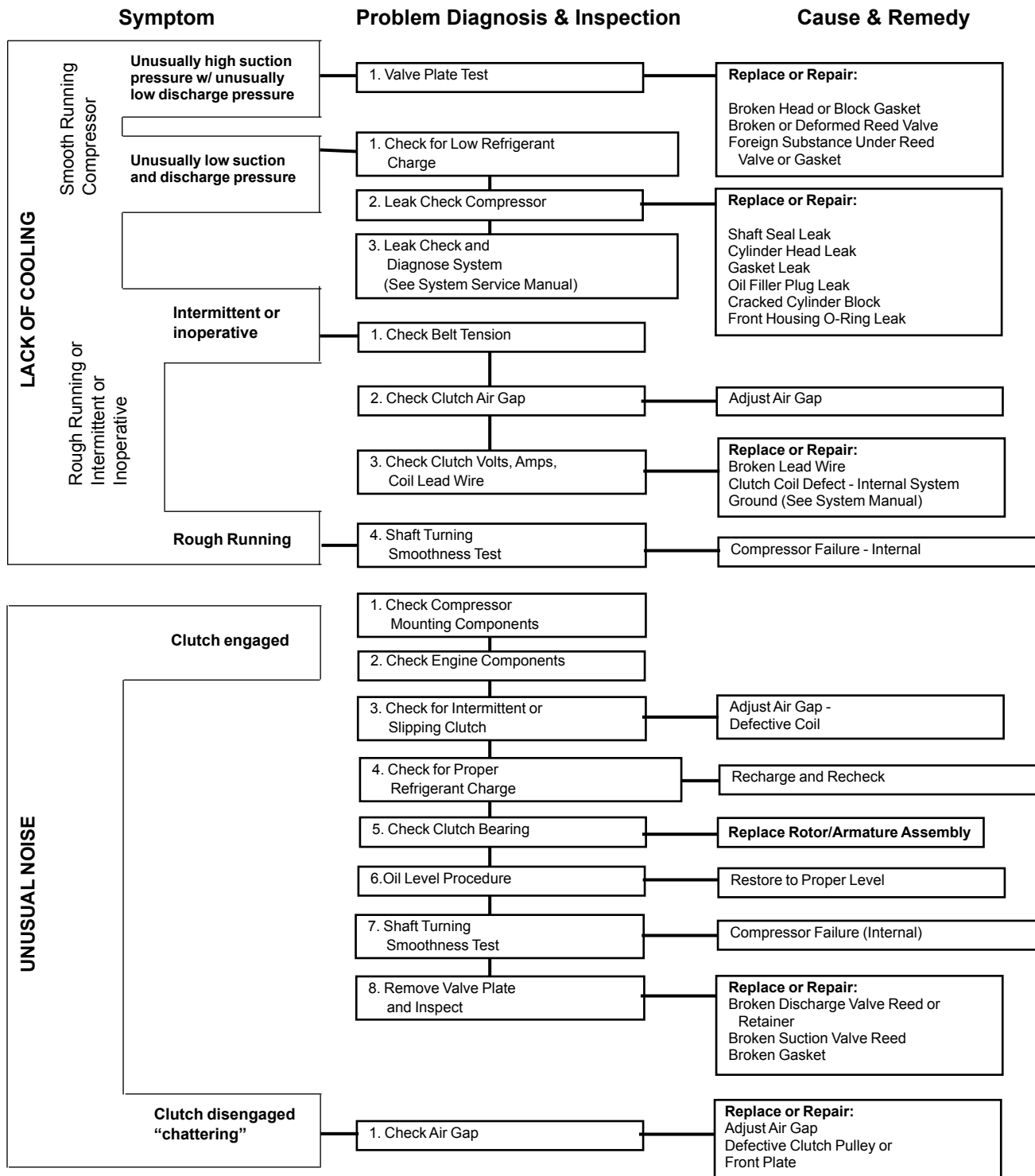
R-12 to R-134a Conversion Procedure



COMPRESSORS



Compressor Troubleshooting



COMPRESSORS



Sanden Style Compressors

Sanden's new, flexible compressor series...

WHAT IS THE FLX 7?

SD7H15 Durability

The FLX7 starts w/ the same SD7H15 compressor known throughout the automotive industry for its performance and durability.

FLX7 Features and Benefits

The FLX7 is an optimized version of the SD7H15 compressor which utilizes interchangeable parts to increase flexibility and adaptability to a variety of automotive applications. FLX7 compressors come standard w/ enhanced features previously found only on premium compressors. Features and benefits include:

- **Fewer Part Numbers.** The FLX 7 uses a common body and interchangeable parts to consolidate hundreds of existing part numbers into just 23 models.
- **Reduced Inventory Costs.** The consolidation of part numbers provides an opportunity to stock a single FLX 7 compressor instead of dozens of models.
- Fewer part numbers means the number of service parts required to inventory for field replacement is also decreased.
- **Expanded Product Configurations.** The FLX 7 allows for the creation of compressor configurations not previously offered by Sanden.
- Each FLX7 comes w/ both a Bullet and sealed Packard clutch lead Wire terminal for application flexibility
- For protection, every FLX7 comes equipped w/ a pressure relief valve to guard against abnormal pressure conditions. A field coil diode is also included to prevent electrical damage caused by voltage surges.
- The FLX7 uses a standard GM pad-style Cylinder head which receives a variety of port fittings ready to accommodate vertical and horizontal hose attachment. The port fittings are sold separately from the compressor, allowing the user to adapt a single compressor to fit many applications.
- Each port fitting is made of forged steel for superior strength vs. cast iron fittings. The fittings have threaded ports ready to receive an R12 or R134a charging valve.
- FLX7 models come w/ mineral oil for use w/ R12 systems or PAG oil for use w/ R134a systems eliminating the need for retrofitting.
- Heavy Duty rotor bearings to handle higher pressure / loads.
- A variety of clutch rotor configurations sealed heavy-duty and multi-groove rotors are available in 12 volt and 24 volt options:

125mm, A2	158mm, C1
119mm, PV10	119mm, PV8
122mm, A1 (Overhang)	119mm, PV8(SHD)
152mm, A2	138mm, A1
- Port Fitting sizes available:
 - Horizontal 3/4 x 7/8**
 - Vertical 3/4 x 7/8**
 - Vertical 3/4 x 7/8 Flare**
 - Vertical 1 x 14**
 - Horizontal 1 x 14**

FLX 7 Features

FLX 7 features include:

- *7 Cylinders for reduced operating pulsations, reduced noise, and improved performance.*
- *Available in ear mount or direct mount configurations for flexibility and adaptability over a broad range of applications.*
- *Superior lubricating system for increased durability and high temperature performance.*
- *Heavy-duty bearing to handle higher pressures and loads.*
- *Shaft seal for greater leak protection and durability.*

FLX 7 Typical Applications

FLX7 models are designed for use w/:

- *Light Passenger Vehicles*
- *Medium Duty and Heavy Trucks*
- *Agricultural Vehicles*
- *Passenger Buses*
- *Construction Vehicles*



Sanden Style Compressors

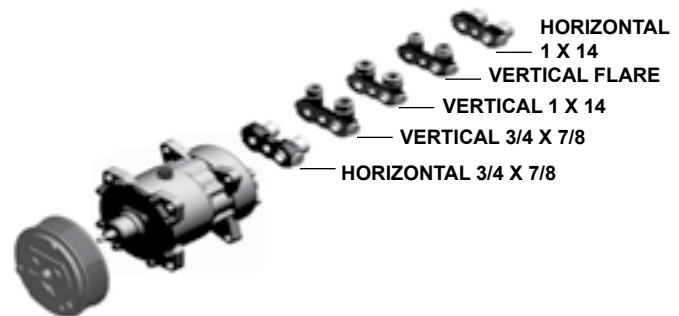
FLX 7 R-134a Replacement Matrix

SANDEN PART NO	FLX 7	ADAPTER
4419	1410030	NA
4420	1410031	NA
4428	1410030	1401325
4434	1410032	NA
4435	1410033	1401326
4447	1410053	1401327
4506	1410033	1401326
4507	1410033	1401326
4508	1410053	1401326
4509	1410032	1401326
4510	1410032	1401326
4511	1410051	1401327
4513	1410032	1401329
4514	1410049	1401326
4515	1410051	1401326
4516	1410052	1401326
4521	1410033	1401329
4522	1410049	1401329
4523	1410049	1401329
4525	1410032	1401327
4526	1410053	1401329
4527	1410033	1401327
4529	1410032	1401327
4536	1410032	1401325
4537	1410033	1401325
4626	1410030	1401326
4627	1410047	1401326
4638	1410049	1401329
4641	1410031	1401329
4643	1410032	1401327
4646	1410032	1401329
4647	1410032	1401326
4652	1410048	1401326
4663	1410047	1401326
4664	1410032	1401326
4665	1410049	1401326
4666	1410031	1401325
4706	1410047	1401327
4707	1410049	NA
4708	1410047	NA
4709	1410047	1401325
4710	1410049	1401327
4711	1410049	1401326
4712	1410049	1401325
4741	1410048	1401326
4745	1410052	1401326
4746	1410051	1401326
4747	1410051	1401327
4762	1410050	1401327
4763	1410050	1401327

FLX 7 R-134a Replacement Matrix

SANDEN PART NO	FLX 7	ADAPTER
4764	1410050	1401329
4765	1410050	1401325
4779	1410047	1401326
4864	1410049	NA
4866	1410050	NA
4867	1410050	NA
4868	1410051	NA
4870	1410052	NA
4872	1410053	NA
4877	1401219	NA
4881	1410055	NA
4882	1410047	1401328
6626	1410032	1401326
6627	1410033	1401326
6629	1410049	1401326
6630	1410032	1401325
6631	1410032	1401329
6632	1410033	1401329
6634	1410033	1401325
6642	1410032	1401327
6655	1410049	1401329
6656	1410053	1401326
6664	1410032	1401326
6665	1410033	1401326
6667	1410033	1401327
6670	1410053	1401329
6671	1410051	1401327
6672	1410052	1401326
6673	1410051	1401326
6675	1410049	1401329
6676	1410032	1401325
6677	1410032	NA
6678	1410032	NA
6679	1410055	1401326
6680	1410055	1401325
7819	1410047	1401329
7822	1410049	1401329
8103	1410049	1401326
8104	1410032	1401326
8396	1410047	1401328

COMPRESSORS



A6 Compressors

Sanden Flx 7 Replacement Adapter Fittings

Part No: 1401325	
	
Cylinder Head Port Angle: Horizontal	
Cylinder Head Size/Thread: 3/4 x 7/8	
Material: Aluminum	
Model Type: FTG	
OEM Model No: 4865-6340	
System: R-134a	

Part No: 1401326	
	
Cylinder Head Port Angle: Vertical	
Cylinder Head Size/Thread: 3/4 x 7/8	
Material: Aluminum	
Model Type: FTG	
OEM Model No: 4866-6340	
System: R-134a	

Part No: 1401327	
	
Cylinder Head Port Angle: Vertical	
Cylinder Head Size/Thread: 1 x 14	
Material: Aluminum	
Model Type: FTG	
OEM Model No: 4867-6340	
System: R-134a	

Part No: 1401328	
	
Cylinder Head Port Angle: Vertical	
Cylinder Head Size/Thread: 3/4 x 7/8 Flare	
Material: Aluminum	
Model Type: FTG	
OEM Model No: 4868-6340	
System: R-134a	

Part No: 1401329	
	
Cylinder Head Port Angle: Horizontal	
Cylinder Head Size/Thread: 1 x 14	
Material: Aluminum	
Model Type: FTG	
OEM Model No: 4869-6340	
System: R-134a	

COMPRESSORS



All Flx 7 compressors come w/ the sealed packard connector attached to the field coil, jumper Wire to convert field coil terminal to Bullet type is also included.

R-134a Compressors - A6 Style

Part No: 1404025	
	
Voltage: 12V	No. of Grooves: A6
Clutch Size: 5" (127mm)	Cylinder Head Size/Thread: M10 x 1.5
Oil Amount: 12.6	Compressor Switch Type: None

Part No: 1404028	
	
Voltage: 12V	No. of Grooves: A6
Mount: Metric	Cylinder Head Size/Thread: M8 x 1.25
Clutch Size: 4 13/16" (123mm)	Oil Amount: 10







Denso Compressors

R-134a Compressor Specifications - Denso







Denso No.	Model Type	Mount Type	Cylinder Head			Clutch					Oil Amount	Connector	Part No
			Type	Port Angle	Size/ Thread	Size	Groove	Voltage	Shaft Type	Assy No.			
22-65771-000	10S15C	Direct	0	Vertical	Pad	6 7/16" (163mm)	PV8	12V	SPLINED	Not Serviced	130	2 Wire Metripack	1440002
22-65771-000	10S15C	Direct	0	Vertical	Pad	6 7/16" (163.5mm)	PV8	12V	SPLINED	Not Serviced	130	2 Wire Metripack	1441001*
22-65772-000	10S15C	Direct	0	Vertical	Pad	6 5/16" (160mm)	PV6	12V	SPLINED	Not Serviced	130	2 Wire Metripack	1440003
22-65772-000	10S15C	Direct	0	Vertical	Pad	6 5/16" (160mm)	PV6	12V	SPLINED	Not Serviced	130	2 Wire Metripack	1441002*
22-65770-000	10S15C	Direct	0	Vertical	Pad	5 1/2" (140mm)	PV8	12V	SPLINED	Not Serviced	130	2 Wire Metripack	1440001
22-65770-000	10S15C	Direct	0	Vertical	Pad	5 1/2" (140mm)	PV8	12V	SPLINED	Not Serviced	130	2 Wire Metripack	1441003*

* Aftermarket version compressor

R-134a Compressors - OEM Version

Part No: 1440001		Part No: 1440002		Part No: 1440003	
					
Voltage: 12V	Material: Aluminum	Voltage: 12V	Material: Aluminum	Voltage: 12V	Material: Aluminum
Mount: Direct	Model Type: 10S15C	Mount: Direct	Model Type: 10S15C	Mount: Direct	Model Type: 10S15C
Clutch Size: 5 1/2" (140mm)	OEM Model No: 22-65770-000	Clutch Size: 6 7/16" (163mm)	OEM Model No: 22-65771-000	Clutch Size: 6 5/16" (160mm)	OEM Model No: 22-65772-000
Cylinder Head Port Angle: Vertical	No. of Grooves: PV8	Cylinder Head Port Angle: Vertical	No. of Grooves: PV8	Cylinder Head Port Angle: Vertical	No. of Grooves: PV6
Cylinder Head Size/Thread: Pad	Clutch Assembly No: Not Serviced	Cylinder Head Size/Thread: Pad	Clutch Assembly No: Not Serviced	Cylinder Head Size/Thread: Pad	Clutch Assembly No: Not Serviced
Oil Amount: 130	Clutch Shaft Type: SPLINED	Oil Amount: 130	Clutch Shaft Type: SPLINED	Oil Amount: 130	Clutch Shaft Type: SPLINED
Connector: 2 Wire Metripack	Oil Type: PAG 46	Connector: 2 Wire Metripack	Oil Type: PAG 46	Connector: 2 Wire Metripack	Oil Type: PAG 46
System: R-134a		System: R-134a		System: R-134a	

R-134a Compressors - Aftermarket Version

Part No: 1441001		Part No: 1441002		Part No: 1441003	
					
Voltage: 12V	Material: Aluminum	Voltage: 12V	Material: Aluminum	Voltage: 12V	Material: Aluminum
Mount: Direct	Model Type: 10S15C	Mount: Direct	Model Type: 10S15C	Mount: Direct	Model Type: 10S15C
Clutch Size: 6 7/16" (163.5mm)	OEM Model No: 22-65771-000	Clutch Size: 6 5/16" (160mm)	OEM Model No: 22-65772-000	Clutch Size: 5 1/2" (140mm)	OEM Model No: 22-65770-000
Cylinder Head Port Angle: Vertical	No. of Grooves: PV8	Cylinder Head Port Angle: Vertical	No. of Grooves: PV6	Cylinder Head Port Angle: Vertical	No. of Grooves: PV8
Cylinder Head Size/Thread: Pad	Clutch Assembly No: Not Serviced	Cylinder Head Size/Thread: Pad	Clutch Assembly No: Not Serviced	Cylinder Head Size/Thread: Pad	Clutch Assembly No: Not Serviced
Oil Amount: 130	Clutch Shaft Type: SPLINED	Oil Amount: 130	Clutch Shaft Type: SPLINED	Oil Amount: 130	Clutch Shaft Type: SPLINED
Connector: 2 Wire Metripack	Oil Type: PAG 46	Connector: 2 Wire Metripack	Oil Type: PAG 46	Connector: 2 Wire Metripack	Oil Type: PAG 46
System: R-134a		System: R-134a		System: R-134a	

COMPRESSORS



Seltec/Ice/Valeo Style Compressors

Seltec/ICE/Valeo Compressors

R-134a Compressor Specifications - Seltec/ICE/Valeo Style

Valeo No.	Model Type	Mount Type	Cylinder Head		Clutch					Oil Amount	Connector	Part No
			Port Angle	Size/ Thread	Size	Groove	Voltage	Shaft Type	Assy No.			
TM-08HS												
103-52080	TM-08HS	Ear	Monolithic	3/4 x 7/8	4 23/32" (120mm)	PV4	12V	SPLINED	Not Serviced	150	Bullet	1403153
103-52083	TM-08HS	Ear	Monolithic	3/4 x 7/8	5 5/16" (135mm)	A2	12V	SPLINED	Not Serviced	150	Bullet	1403161
TM-13HA												
103-52110	TM-13HA	Ear	Monolithic	3/4 x 7/8	5 5/16" (135mm)	A2	12V	SPLINED	Not Serviced	150	Bullet	1403162
TM-13HS												
103-54070	TM-13HS	Ear	Vertical	3/4 x 7/8	5 5/16" (135mm)	A2	12V	SPLINED	Not Serviced	150	Bullet	1403158
103-54120	TM-13HS	Ear	Vertical	3/4 X 7/8	4 11/16" (119mm)	PV8	12V	SPLINED	Not Serviced	150	Bullet	1403159
TM-15HD												
103-25011	TM-15HD	Ear	Vertical	O-Ring	5 5/16" (135mm)	A2	12V	SPLINED	Not Serviced	180	Bullet	1403001
103-25021	TM-15HD	Ear	Vertical	O-Ring	5 5/16" (135mm)	A2	12V	SPLINED	Not Serviced	180	Bullet	1403004
TM-15HS												
103-55011	TM-15HS	Ear	Vertical	3/4 X 7/8	5 5/16" (135mm)	A2	12V	SPLINED	Not Serviced	150	Bullet	1403100
103-55015	TM-15HS	Ear	Vertical	3/4 x 7/8	5 5/16" (135mm)	A2	24V	SPLINED	Not Serviced	150	Bullet	1403101
103-55017	TM-15HS	Ear	Horizontal	3/4 x 7/8	5 5/16" (135mm)	A2	24V	SPLINED	Not Serviced	150	Bullet	1403102
103-55019	TM-15HS	Ear	Vertical	3/4 x 7/8	4 23/32" (120mm)	PV6	24V	SPLINED	Not Serviced	150	Bullet	1403103
103-55021	TM-15HS	Ear	Monolithic	0	5 5/16" (135mm)	A2	12V	SPLINED	Not Serviced	150	Bullet	1403104
103-55030	TM-15HS	Ear	Horizontal	3/4 x 7/8	5 5/16" (135mm)	A2	12V	SPLINED	Not Serviced	150	Bullet	1403105
103-55036	TM-15HS	Ear	Horizontal	3/4 x 7/8	4 59/64" (125mm)	A2	12V	SPLINED	Not Serviced	150	Bullet	1403107
103-55043	TM-15HS	Ear	Vertical	3/4 x 7/8	4 59/64" (125mm)	A2	12V	SPLINED	Not Serviced	150	Bullet	1403163
103-55047	TM-15HS	Ear	Monolithic	-	4 23/32" (120mm)	PV6	12V	SPLINED	Not Serviced	150	Bullet	1403108
103-55056	TM-15HS	Ear	Monolithic	3/4 x 7/8	5 5/16" (135mm)	A2	24V	SPLINED	Not Serviced	150	Bullet	1403110
103-55057	TM-15HS	Ear	Monolithic	-	6 19/64" (160mm)	-	24V	SPLINED	Not Serviced	150	Bullet	1403111
103-55063	TM-15HS	Ear	Vertical	3/4 x 7/8	4 31/32" (127mm)	-	12V	SPLINED	Not Serviced	150	Bullet	1403112
103-55075	TM-15HS	Ear	Horizontal	1 x 14	4 59/64" (125mm)	A2	12V	SPLINED	Not Serviced	150	Bullet	1403114
103-55082	TM-15HS	Direct	Vertical	3/4 x 7/8	4 23/32" (120mm)	PV8	12V	SPLINED	Not Serviced	180	Bullet	1403116
103-55088	TM-15HS	Direct	Vertical	3/4 x 7/8	4 23/32" (120mm)	PV6	12V	SPLINED	Not Serviced	180	Bullet	1403117
103-55120	TM-15HS	Ear	Vertical	3/4 x 7/8	4 11/16" (119mm)	PV8	12V	SPLINED	Not Serviced	150	Bullet	1403119
103-55121	TM-15HS	Ear	Monolithic	-	4 11/16" (119mm)	PV8	12V	SPLINED	Not Serviced	150	Bullet	1403120
103-55210	TM-15HS	Ear	Horizontal	Pad	5 5/16" (135mm)	A2	12V	SPLINED	Not Serviced	150	Bullet	1403123
TM-16HS												
103-56011	TM-16HS	Ear	Vertical	3/4 x 7/8	5 5/16" (135mm)	A2	12V	SPLINED	Not Serviced	180	Bullet	1403125
103-56015	TM-16HS	Ear	Vertical	3/4 x 7/8	5 5/16" (135mm)	A2	24V	SPLINED	Not Serviced	180	Bullet	1403126
103-56017	TM-16HS	Ear	Horizontal	3/4 x 7/8	5 5/16" (135mm)	A2	24V	SPLINED	Not Serviced	180	Bullet	1403127
103-56021	TM-16HS	Ear	Monolithic	-	5 5/16" (135mm)	A2	12V	SPLINED	Not Serviced	180	Bullet	1403128
103-56030	TM-16HS	Ear	Horizontal	3/4 x 7/8	5 5/16" (135mm)	A2	12V	SPLINED	Not Serviced	180	Bullet	1403129
103-56043	TM-16HS	Ear	Monolithic	3/4 x 7/8	4 59/64" (125mm)	A2	12V	SPLINED	Not Serviced	180	Bullet	1403130
103-56056	TM-16HS	Ear	Monolithic	-	5 5/16" (135mm)	A2	24V	SPLINED	Not Serviced	180	Bullet	1403132
* Aftermarket version compressor												



R-134a Compressor Specifications - Seltec/ICE/Valeo Style

Valeo No.	Model Type	Mount Type	Cylinder Head		Clutch					Oil Amount	Connector	Part No
			Port Angle	Size/ Thread	Size	Groove	Voltage	Shaft Type	Assy No.			
TM-16HS												
103-56120	TM-16HS	Ear	Vertical	3/4 x 7/8	4 11/16" (119mm)	PV8	12V	SPLINED	Not Serviced	180	Bullet	1403136
103-56121	TM-16HS	Ear	Monolithic	-	4 11/16" (119mm)	PV8	12V	SPLINED	Not Serviced	180	Bullet	1403137
103-56122	TM-16HS	Ear	Horizontal	3/4 x 7/8	4 11/16" (119mm)	PV8	12V	SPLINED	Not Serviced	180	Bullet	1403138
103-56131	TM-16HS	Ear	Monolithic	3/4 x 7/8	4 23/32" (120mm)	PV8	24V	SPLINED	Not Serviced	180	Bullet	1403166
103-56222	TM-16HS	Ear	-	Pad	4 59/64" (125mm)	A2	12V	SPLINED	Not Serviced	180	Bullet	1403140
103-56234	TM-16HS	Ear	-	Pad	4 11/16" (119mm)	PV8	12V	SPLINED	Not Serviced	180	Bullet	1403141
103-56282	TM-16HS	Direct	-	Pad	4 11/16" (119mm)	PV8	12V	SPLINED	Not Serviced	180	Bullet	1403167
103-56409	0	Direct	Horizontal	-	4 59/64" (125mm)	A2	12V	-	-	180	1 Wire Bullet	1403170
103-56577	TM-16HS	0	-	-	4 59/64" (125mm)	A2	12V	-	-	180	Delphi Connector	1403171
TM-21HX												
103-25077	TM-21HX	Direct	Horizontal	-	5 23/32" (145mm)	A2	12V	SPLINED	Not Serviced	180	Bullet	1403015
103-57240	TM-21HX	Direct	-	Pad	5 45/64" (145mm)	A2	12V	SPLINED	Not Serviced	180	Bullet	1403150
103-57242	TM-21HX	Direct	-	Pad	5 45/64" (145mm)	A2	24V	SPLINED	Not Serviced	180	Bullet	1403147
103-57244	TM-21HX	Direct	-	Pad	5 25/64" (137mm)	PV8	12V	SPLINED	Not Serviced	180	Bullet	1403145
103-57246	TM-21HX	Direct	-	Pad	5 35/64" (141mm)	PV8	24V	SPLINED	Not Serviced	180	Bullet	1403146
103-67248	TM-21HX	Direct	-	Pad	5" (127mm)	PV8	12V	SPLINED	Not Serviced	180	Packard #12V	1403168
103-67260	TM-21HX	Direct	-	Pad	5" (127mm)	PV8	12V	SPLINED	Not Serviced	180	Bullet	1403169
TM-31												
103-68500	TM-31	Direct	-	Pad	6" (152mm)	2AG	12V	SPLINED	Not Serviced	500	1 Wire Male Bullet	1411005*
103-68510	TM-31	Direct	-	Pad	6" (152mm)	2AG	24V	SPLINED	Not Serviced	500	1 Wire Male Bullet	1411006*
103-68520	TM-31	Direct	-	Pad	6 1/4" (158mm)	2BG	12V	SPLINED	Not Serviced	500	1 Wire Male Bullet	1411007*
103-68530	TM-31	Direct	-	Pad	6 1/4" (158mm)	2BG	24V	SPLINED	Not Serviced	500	1 Wire Male Bullet	1411008*
103-68540	TM-31	Direct	-	Pad	6" (152mm)	PV8	12V	SPLINED	Not Serviced	500	1 Wire Male Bullet	1411009*
103-68550	TM-31	Direct	-	Pad	6" (152mm)	PV8	24V	SPLINED	Not Serviced	500	1 Wire Male Bullet	1411010*
103-68560	TM-31	Direct	-	Pad	6 1/8" (156mm)	PV10	12V	SPLINED	Not Serviced	500	1 Wire Male Bullet	1411011*
103-68570	TM-31	Direct	-	Pad	6" (152mm)	PV10	24V	SPLINED	Not Serviced	500	1 Wire Male Bullet	1411012*
* Aftermarket version compressor												

COMPRESSORS



Seltec/Ice/Valeo Style Compressors

R-134a Compressors - Seltec/Ice/Valeo Style

Part No: 1403001


Voltage: 12V	Material: Aluminum
Mount: Ear	Model Type: TM-15HD
Clutch Size: 5 5/16" (135mm)	OEM Model No: 103-25011
Cylinder Head Type: A, Cast Vertical O-Ring R-12V Charging Ports	No. of Grooves: A2
Cylinder Head Port Angle: Vertical	Clutch Assembly No: Not Serviced
Cylinder Head Size/Thread: O-Ring	Clutch Shaft Type: SPLINED
Oil Amount: 180	Oil Type: Mineral
Connector: Bullet	System: R-134a

Part No: 1403004


Voltage: 12V	Material: Aluminum
Mount: Ear	Model Type: TM-15HD
Clutch Size: 5 5/16" (135mm)	OEM Model No: 103-25021
Cylinder Head Type: B, Aluminum Vertical O-Ring	No. of Grooves: A2
Cylinder Head Port Angle: Vertical	Clutch Assembly No: Not Serviced
Cylinder Head Size/Thread: O-Ring	Clutch Shaft Type: SPLINED
Oil Amount: 180	Oil Type: Mineral
Connector: Bullet	System: R-134a

Part No: 1403100


Voltage: 12V	Material: Aluminum
Mount: Ear	Model Type: TM-15HS
Clutch Size: 5 5/16" (135mm)	OEM Model No: 103-55011
Cylinder Head Type: D, Cast Vertical O-Ring	No. of Grooves: A2
Cylinder Head Port Angle: Vertical	Clutch Assembly No: Not Serviced
Cylinder Head Size/Thread: 3/4 x 7/8	Clutch Shaft Type: SPLINED
Oil Amount: 150	Oil Type: ZXL100
Connector: Bullet	System: R-134a

Part No: 1403101


Voltage: 24V	Material: Aluminum
Mount: Ear	Model Type: TM-15HS
Clutch Size: 5 5/16" (135mm)	OEM Model No: 103-55015
Cylinder Head Type: D, Cast Vertical O-Ring	No. of Grooves: A2
Cylinder Head Port Angle: Vertical	Clutch Assembly No: Not Serviced
Cylinder Head Size/Thread: 3/4 x 7/8	Clutch Shaft Type: SPLINED
Oil Amount: 150	Oil Type: ZXL100
Connector: Bullet	System: R-134a

Part No: 1403102


Voltage: 24V	Material: Aluminum
Mount: Ear	Model Type: TM-15HS
Clutch Size: 5 5/16" (135mm)	OEM Model No: 103-55017
Cylinder Head Type: C, Cast Horizontal O-Ring	No. of Grooves: A2
Cylinder Head Port Angle: Horizontal	Clutch Assembly No: Not Serviced
Cylinder Head Size/Thread: 3/4 x 7/8	Clutch Shaft Type: SPLINED
Oil Amount: 150	Oil Type: ZXL100
Connector: Bullet	System: R-134a

Part No: 1403103


Voltage: 24V	Material: Aluminum
Mount: Ear	Model Type: TM-15HS
Clutch Size: 4 23/32" (120mm)	OEM Model No: 103-55019
Cylinder Head Type: Aluminum	No. of Grooves: PV6
Cylinder Head Port Angle: Vertical	Clutch Assembly No: Not Serviced
Cylinder Head Size/Thread: 3/4 x 7/8	Clutch Shaft Type: SPLINED
Oil Amount: 150	Oil Type: ZXL100
Connector: Bullet	System: R-134a

Seltec/Ice/Valeo Style Compressors



Part No: 1403104



Voltage: 12V	Material: Aluminum
Mount: Ear	Model Type: TM-15HS
Clutch Size: 5 5/16" (135mm)	OEM Model No: 103-55021
Cylinder Head Port Angle: Monolithic	No. of Grooves: A2
Oil Amount: 150	Clutch Assembly No: Not Serviced
Connector: Bullet	Clutch Shaft Type: SPLINED
System: R-134a	Oil Type: ZXL100

Part No: 1403105




Voltage: 12V	Material: Aluminum
Mount: Ear	Model Type: TM-15HS
Clutch Size: 5 5/16" (135mm)	OEM Model No: 103-55030
Cylinder Head Port Angle: Horizontal	No. of Grooves: A2
Cylinder Head Size/Thread: 3/4 x 7/8	Clutch Assembly No: Not Serviced
Oil Amount: 150	Clutch Shaft Type: SPLINED
Connector: Bullet	Oil Type: ZXL100
System: R-134a	

Part No: 1403107



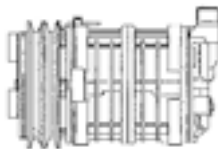
Voltage: 12V	Material: Aluminum
Mount: Ear	Model Type: TM-15HS
Clutch Size: 4 59/64" (125mm)	OEM Model No: 103-55036
Cylinder Head Port Angle: Horizontal	No. of Grooves: A2
Cylinder Head Size/Thread: 3/4 x 7/8	Clutch Assembly No: Not Serviced
Oil Amount: 150	Clutch Shaft Type: SPLINED
Connector: Bullet	Oil Type: ZXL100
System: R-134a	

Part No: 1403108



Voltage: 12V	Material: Aluminum
Mount: Ear	Model Type: TM-15HS
Clutch Size: 4 23/32" (120mm)	OEM Model No: 103-55047
Cylinder Head Port Angle: Monolithic	No. of Grooves: PV6
Oil Amount: 150	Clutch Assembly No: Not Serviced
Connector: Bullet	Clutch Shaft Type: SPLINED
System: R-134a	Oil Type: ZXL100

Part No: 1403110



Voltage: 24V	Material: Aluminum
Mount: Ear	Model Type: TM-15HS
Clutch Size: 5 5/16" (135mm)	OEM Model No: 103-55056
Cylinder Head Type: Aluminum	No. of Grooves: A2
Cylinder Head Port Angle: Monolithic	Clutch Assembly No: Not Serviced
Cylinder Head Size/Thread: 3/4 x 7/8	Clutch Shaft Type: SPLINED
Oil Amount: 150	Oil Type: ZXL100
Connector: Bullet	System: R-134a

Part No: 1403111



Voltage: 24V	Material: Aluminum
Mount: Ear	Model Type: TM-15HS
Clutch Size: 6 19/64" (160mm)	OEM Model No: 103-55057
Cylinder Head Port Angle: Monolithic	Clutch Assembly No: Not Serviced
Oil Amount: 150	Clutch Shaft Type: SPLINED
Connector: Bullet	Oil Type: ZXL100
System: R-134a	

Part No: 1403112




Voltage: 12V	Material: Aluminum
Mount: Ear	Model Type: TM-15HS
Clutch Size: 4 31/32" (127mm)	OEM Model No: 103-55063
Cylinder Head Port Angle: Vertical	Clutch Assembly No: Not Serviced
Cylinder Head Size/Thread: 3/4 x 7/8	Clutch Shaft Type: SPLINED
Oil Amount: 150	Oil Type: ZXL100
Connector: Bullet	System: R-134a

Part No: 1403114



Voltage: 12V	Material: Aluminum
Mount: Ear	Model Type: TM-15HS
Clutch Size: 4 59/64" (125mm)	OEM Model No: 103-55075
Cylinder Head Port Angle: Horizontal	No. of Grooves: A2
Cylinder Head Size/Thread: 1 x 14	Clutch Assembly No: Not Serviced
Oil Amount: 150	Clutch Shaft Type: SPLINED
Connector: Bullet	Oil Type: ZXL100
System: R-134a	


Part No: 1403015




Voltage: 12V	Material: Aluminum
Mount: Direct	Model Type: TM-21HX
Clutch Size: 5 23/32" (145mm)	OEM Model No: 103-25077
Cylinder Head Port Angle: Horizontal	No. of Grooves: A2
Oil Amount: 180	Clutch Assembly No: Not Serviced
Connector: Bullet	Clutch Shaft Type: SPLINED
System: R-134a	

Seltec/Ice/Valeo Style Compressors

COMPRESSORS


Part No: 1403116	
	
Voltage: 12V	Material: Aluminum
Mount: Direct	Model Type: TM-15HS
Clutch Size: 4 23/32" (120mm)	OEM Model No: 103-55082
Cylinder Head Port Angle: Vertical	No. of Grooves: PV8
Cylinder Head Size/Thread: 3/4 x 7/8	Clutch Assembly No: Not Serviced
Oil Amount: 180	Clutch Shaft Type: SPLINED
Connector: Bullet	Oil Type: ZXL100
System: R-134a	


Part No: 1403117	
	
Voltage: 12V	Material: Aluminum
Mount: Direct	Model Type: TM-15HS
Clutch Size: 4 23/32" (120mm)	OEM Model No: 103-55088
Cylinder Head Port Angle: Vertical	No. of Grooves: PV6
Cylinder Head Size/Thread: 3/4 x 7/8	Clutch Assembly No: Not Serviced
Oil Amount: 180	Clutch Shaft Type: SPLINED
Connector: Bullet	Oil Type: ZXL100
System: R-134a	

Part No: 1403119	
	
Voltage: 12V	Material: Aluminum
Mount: Ear	Model Type: TM-15HS
Clutch Size: 4 11/16" (119mm)	OEM Model No: 103-55120
Cylinder Head Port Angle: Vertical	No. of Grooves: PV8
Cylinder Head Size/Thread: 3/4 x 7/8	Clutch Assembly No: Not Serviced
Oil Amount: 150	Clutch Shaft Type: SPLINED
Connector: Bullet	Oil Type: ZXL100
System: R-134a	

Part No: 1403120	
	
Voltage: 12V	Material: Aluminum
Mount: Ear	Model Type: TM-15HS
Clutch Size: 4 11/16" (119mm)	OEM Model No: 103-55121
Cylinder Head Port Angle: Monolithic	No. of Grooves: PV8
Oil Amount: 150	Clutch Assembly No: Not Serviced
Connector: Bullet	Clutch Shaft Type: SPLINED
System: R-134a	

Part No: 1403123	
	
Voltage: 12V	Material: Aluminum
Mount: Ear	Model Type: TM-15HS
Clutch Size: 5 5/16" (135mm)	OEM Model No: 103-55210
Cylinder Head Port Angle: Horizontal	No. of Grooves: A2
Cylinder Head Size/Thread: Pad	Clutch Assembly No: Not Serviced
Oil Amount: 150	Clutch Shaft Type: SPLINED
Connector: Bullet	Oil Type: ZXL100
System: R-134a	

Part No: 1403125	
	
Voltage: 12V	Material: Aluminum
Mount: Ear	Model Type: TM-16HS
Clutch Size: 5 5/16" (135mm)	OEM Model No: 103-56011
Cylinder Head Port Angle: Vertical	No. of Grooves: A2
Cylinder Head Size/Thread: 3/4 x 7/8	Clutch Assembly No: Not Serviced
Oil Amount: 180	Clutch Shaft Type: SPLINED
Connector: Bullet	Oil Type: ZXL100
System: R-134a	

Part No: 1403126	
	
Voltage: 24V	Material: Aluminum
Mount: Ear	Model Type: TM-16HS
Clutch Size: 5 5/16" (135mm)	OEM Model No: 103-56015
Cylinder Head Port Angle: Vertical	No. of Grooves: A2
Cylinder Head Size/Thread: 3/4 x 7/8	Clutch Assembly No: Not Serviced
Oil Amount: 180	Clutch Shaft Type: SPLINED
Connector: Bullet	Oil Type: ZXL100
System: R-134a	

Part No: 1403127	
	
Voltage: 24V	Material: Aluminum
Mount: Ear	Model Type: TM-16HS
Clutch Size: 5 5/16" (135mm)	OEM Model No: 103-56017
Cylinder Head Port Angle: Horizontal	No. of Grooves: A2
Cylinder Head Size/Thread: 3/4 x 7/8	Clutch Assembly No: Not Serviced
Oil Amount: 180	Clutch Shaft Type: SPLINED
Connector: Bullet	Oil Type: ZXL100
System: R-134a	

Part No: 1403128	
	
Voltage: 12V	Material: Aluminum
Mount: Ear	Model Type: TM-16HS
Clutch Size: 5 5/16" (135mm)	OEM Model No: 103-56021
Cylinder Head Port Angle: Monolithic	No. of Grooves: A2
Oil Amount: 180	Clutch Assembly No: Not Serviced
Connector: Bullet	Clutch Shaft Type: SPLINED
System: R-134a	

Seltec/Ice/Valeo Style Compressors



Part No: 1403129	
Voltage: 12V	Material: Aluminum
Mount: Ear	Model Type: TM-16HS
Clutch Size: 5 5/16" (135mm)	OEM Model No: 103-56030
Cylinder Head Port Angle: Horizontal	No. of Grooves: A2
Cylinder Head Size/Thread: 3/4 x 7/8	Clutch Assembly No: Not Serviced
Oil Amount: 180	Clutch Shaft Type: SPLINED
Connector: Bullet	Oil Type: ZXL100
System: R-134a	



Part No: 1403130	
Voltage: 12V	Material: Aluminum
Mount: Ear	Model Type: TM-16HS
Clutch Size: 4 59/64" (125mm)	OEM Model No: 103-56043
Cylinder Head Type: Aluminum	No. of Grooves: A2
Cylinder Head Port Angle: Monolithic	Clutch Assembly No: Not Serviced
Cylinder Head Size/Thread: 3/4 x 7/8	Clutch Shaft Type: SPLINED
Oil Amount: 180	Oil Type: ZXL100
Connector: Bullet	
System: R-134a	



Part No: 1403132	
Voltage: 24V	Material: Aluminum
Mount: Ear	Model Type: TM-16HS
Clutch Size: 5 5/16" (135mm)	OEM Model No: 103-56056
Cylinder Head Port Angle: Monolithic	No. of Grooves: A2
Oil Amount: 180	Clutch Assembly No: Not Serviced
Connector: Bullet	Clutch Shaft Type: SPLINED
System: R-134a	



Part No: 1403136	
Voltage: 12V	Material: Aluminum
Mount: Ear	Model Type: TM-16HS
Clutch Size: 4 11/16" (119mm)	OEM Model No: 103-56120
Cylinder Head Port Angle: Vertical	No. of Grooves: PV8
Cylinder Head Size/Thread: 3/4 x 7/8	Clutch Assembly No: Not Serviced
Oil Amount: 180	Clutch Shaft Type: SPLINED
Connector: Bullet	Oil Type: ZXL100
System: R-134a	



Part No: 1403137	
Voltage: 12V	Material: Aluminum
Mount: Ear	Model Type: TM-16HS
Clutch Size: 4 11/16" (119mm)	OEM Model No: 103-56121
Cylinder Head Port Angle: Monolithic	No. of Grooves: PV8
Oil Amount: 180	Clutch Assembly No: Not Serviced
Connector: Bullet	Clutch Shaft Type: SPLINED
System: R-134a	



Part No: 1403138	
Voltage: 12V	Material: Aluminum
Mount: Ear	Model Type: TM-16HS
Clutch Size: 4 11/16" (119mm)	OEM Model No: 103-56122
Cylinder Head Port Angle: Horizontal	No. of Grooves: PV8
Cylinder Head Size/Thread: 3/4 x 7/8	Clutch Assembly No: Not Serviced
Oil Amount: 180	Clutch Shaft Type: SPLINED
Connector: Bullet	Oil Type: ZXL100
System: R-134a	



Part No: 1403140	
Voltage: 12V	Material: Aluminum
Mount: Ear	Model Type: TM-16HS
Clutch Size: 4 59/64" (125mm)	OEM Model No: 103-56222
Cylinder Head Size/Thread: Pad	No. of Grooves: A2
Oil Amount: 180	Clutch Assembly No: Not Serviced
Connector: Bullet	Clutch Shaft Type: SPLINED
System: R-134a	



Part No: 1403141	
Voltage: 12V	Material: Aluminum
Mount: Ear	Model Type: TM-16HS
Clutch Size: 4 11/16" (119mm)	OEM Model No: 103-56234
Cylinder Head Size/Thread: Pad	No. of Grooves: PV8
Oil Amount: 180	Clutch Assembly No: Not Serviced
Connector: Bullet	Clutch Shaft Type: SPLINED
System: R-134a	

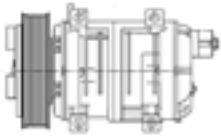


Part No: 1403145	
Voltage: 12V	Material: Aluminum
Mount: Direct	Model Type: TM-21HX
Clutch Size: 5 25/64" (137mm)	OEM Model No: 103-57244
Cylinder Head Size/Thread: Pad	No. of Grooves: PV8
Oil Amount: 180	Clutch Assembly No: Not Serviced
Connector: Bullet	Clutch Shaft Type: SPLINED
System: R-134a	

Seltec/Ice/Valeo Style Compressors

COMPRESSORS

Part No: 1403146



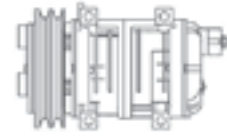
Voltage: 24V	Material: Aluminum
Mount: Direct	Model Type: TM-21HX
Clutch Size: 5 35/64" (141mm)	OEM Model No: 103-57246
Cylinder Head Size/Thread: Pad	No. of Grooves: PV8
Oil Amount: 180	Clutch Assembly No: Not Serviced
Connector: Bullet	Clutch Shaft Type: SPLINED
System: R-134a	Oil Type: ZXL100

Part No: 1403147



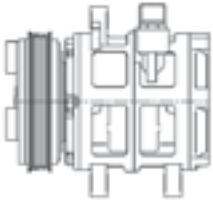
Voltage: 24V	Material: Aluminum
Mount: Direct	Model Type: TM-21HX
Clutch Size: 5 45/64" (145mm)	OEM Model No: 103-57242
Cylinder Head Size/Thread: Pad	No. of Grooves: A2
Oil Amount: 180	Clutch Assembly No: Not Serviced
Connector: Bullet	Clutch Shaft Type: SPLINED
System: R-134a	Oil Type: ZXL100

Part No: 1403150



Voltage: 12V	Material: Aluminum
Mount: Direct	Model Type: TM-21HX
Clutch Size: 5 45/64" (145mm)	OEM Model No: 103-57240
Cylinder Head Size/Thread: Pad	No. of Grooves: A2
Oil Amount: 180	Clutch Assembly No: Not Serviced
Connector: Bullet	Clutch Shaft Type: SPLINED
System: R-134a	Oil Type: ZXL100

Part No: 1403153



Voltage: 12V	Material: Aluminum
Mount: Ear	Model Type: TM-08HS
Clutch Size: 4 23/32" (120mm)	OEM Model No: 103-52080
Cylinder Head Port Angle: Monolithic	No. of Grooves: PV4
Cylinder Head Size/Thread: 3/4 x 7/8	Clutch Assembly No: Not Serviced
Oil Amount: 150	Clutch Shaft Type: SPLINED
Connector: Bullet	Oil Type: ZXL100
System: R-134a	

Part No: 1403158



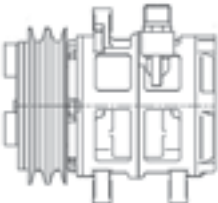
Voltage: 12V	Material: Aluminum
Mount: Ear	Model Type: TM-13HS
Clutch Size: 5 5/16" (135mm)	OEM Model No: 103-54070
Cylinder Head Port Angle: Vertical	No. of Grooves: A2
Cylinder Head Size/Thread: 3/4 x 7/8	Clutch Assembly No: Not Serviced
Oil Amount: 150	Clutch Shaft Type: SPLINED
Connector: Bullet	Oil Type: ZXL100
System: R-134a	

Part No: 1403159



Voltage: 12V	Material: Aluminum
Mount: Ear	Model Type: TM-13HS
Clutch Size: 4 11/16" (119mm)	OEM Model No: 103-54120
Cylinder Head Port Angle: Vertical	No. of Grooves: PV8
Cylinder Head Size/Thread: 3/4 X 7/8	Clutch Assembly No: Not Serviced
Oil Amount: 150	Clutch Shaft Type: SPLINED
Connector: Bullet	Oil Type: ZXL100
System: R-134a	

Part No: 1403161



Voltage: 12V	Material: Aluminum
Mount: Ear	Model Type: TM-08HS
Clutch Size: 5 5/16" (135mm)	OEM Model No: 103-52083
Cylinder Head Port Angle: Monolithic	No. of Grooves: A2
Cylinder Head Size/Thread: 3/4 x 7/8	Clutch Assembly No: Not Serviced
Oil Amount: 150	Clutch Shaft Type: SPLINED
Connector: Bullet	Oil Type: ZXL100
System: R-134a	

Part No: 1403162



Voltage: 12V	Material: Aluminum
Mount: Ear	Model Type: TM-13HA
Clutch Size: 5 5/16" (135mm)	OEM Model No: 103-52110
Cylinder Head Port Angle: Monolithic	No. of Grooves: A2
Cylinder Head Size/Thread: 3/4 x 7/8	Clutch Assembly No: Not Serviced
Oil Amount: 150	Clutch Shaft Type: SPLINED
Connector: Bullet	Oil Type: ZXL100
System: R-134a	


Part No: 1403163

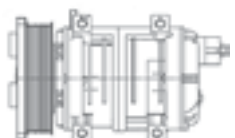


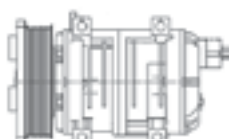
Voltage: 12V	Material: Aluminum
Mount: Ear	Model Type: TM-15HS
Clutch Size: 4 59/64" (125mm)	OEM Model No: 103-55043
Cylinder Head Type: Aluminum	No. of Grooves: A2
Cylinder Head Port Angle: Vertical	Clutch Assembly No: Not Serviced
Cylinder Head Size/Thread: 3/4 x 7/8	Clutch Shaft Type: SPLINED
Oil Amount: 150	Oil Type: ZXL100
Connector: Bullet	System: R-134a



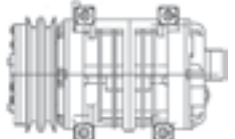
Part No: 1403166	
	
Voltage: 24V	Material: Aluminum
Mount: Ear	Model Type: TM-16HS
Clutch Size: 4 23/32" (120mm)	OEM Model No: 103-56131
Cylinder Head Port Angle: Monolithic	No. of Grooves: PV8
Cylinder Head Size/Thread: 3/4 x 7/8	Clutch Assembly No: Not Serviced
Oil Amount: 180	Clutch Shaft Type: SPLINED
Connector: Bullet	Oil Type: ZXL100
System: R-134a	

Part No: 1403167	
	
Voltage: 12V	Material: Aluminum
Mount: Direct	Model Type: TM-16HS
Clutch Size: 4 11/16" (119mm)	OEM Model No: 103-56282
Cylinder Head Size/Thread: Pad	No. of Grooves: PV8
Oil Amount: 180	Clutch Assembly No: Not Serviced
Connector: Bullet	Clutch Shaft Type: SPLINED
System: R-134a	


Part No: 1403168	
	
Voltage: 12V	Material: Aluminum
Mount: Direct	Model Type: TM-21HX
Clutch Size: 5" (127mm)	OEM Model No: 103-67248
Cylinder Head Size/Thread: Pad	No. of Grooves: PV8
Oil Amount: 180	Clutch Assembly No: Not Serviced
Connector: Packard #12V	Clutch Shaft Type: SPLINED
System: R-134a	


Part No: 1403169	
	
Voltage: 12V	Material: Aluminum
Mount: Direct	Model Type: TM-21HX
Clutch Size: 5" (127mm)	OEM Model No: 103-67260
Cylinder Head Size/Thread: Pad	No. of Grooves: PV8
Oil Amount: 180	Clutch Assembly No: Not Serviced
Connector: Bullet	Clutch Shaft Type: SPLINED
System: R-134a	


Part No: 1403170	
	
Voltage: 12V	OEM Model No: 103-56409
Mount: Direct	No. of Grooves: A2
Clutch Size: 125mm	Oil Type: PAG46
Cylinder Head Type: G	Oil Amount: 180
Cylinder Head Port Angle: Horizontal	Connector: 1 Wire Bullet

Part No: 1403171	
	
Voltage: 12V	Model Type: TM-16HS
Clutch Size: 125mm	OEM Model No: 103-56577
Oil Amount: 180	No. of Grooves: A2
Connector: Delphi Connector	Oil Type: 100PG

R-134a Compressors - Aftermarket Version

Part No: 1411007	
	
Voltage: 12V	Material: Aluminum
Mount: Direct	Model Type: TM-31
Clutch Size: 6 1/4" (158mm)	OEM Model No: 103-68520
Cylinder Head Size/Thread: Pad	No. of Grooves: 2BG
Oil Amount: 500	Clutch Assembly No: Not Serviced
Connector: 1 Wire Male Bullet	Clutch Shaft Type: SPLINED
System: R-134a	

Part No: 1411008	
	
Voltage: 24V	Material: Aluminum
Mount: Direct	Model Type: TM-31
Clutch Size: 6 1/4" (158mm)	OEM Model No: 103-68530
Cylinder Head Size/Thread: Pad	No. of Grooves: 2BG
Oil Amount: 500	Clutch Assembly No: Not Serviced
Connector: 1 Wire Male Bullet	Clutch Shaft Type: SPLINED
System: R-134a	

Part No: 1411009	
	
Voltage: 12V	Material: Aluminum
Mount: Direct	Model Type: TM-31
Clutch Size: 6" (152mm)	OEM Model No: 103-68540
Cylinder Head Size/Thread: Pad	No. of Grooves: PV8
Oil Amount: 500	Clutch Assembly No: Not Serviced
Connector: 1 Wire Male Bullet	Clutch Shaft Type: SPLINED
System: R-134a	

Seltec/Ice/Valeo Style Compressors

Part No: 1411010



Voltage: 24V	Material: Aluminum
Mount: Direct	Model Type: TM-31
Clutch Size: 6" (152mm)	OEM Model No: 103-68550
Cylinder Head Size/Thread: Pad	No. of Grooves: PV8
Oil Amount: 500	Clutch Assembly No: Not Serviced
Connector: 1 Wire Male Bullet	Clutch Shaft Type: SPLINED
System: R-134a	Oil Type: PAG46

Part No: 1411011



Voltage: 12V	Material: Aluminum
Mount: Direct	Model Type: TM-31
Clutch Size: 6 1/8" (156mm)	OEM Model No: 103-68560
Cylinder Head Size/Thread: Pad	No. of Grooves: PV10
Oil Amount: 500	Clutch Assembly No: Not Serviced
Connector: 1 Wire Male Bullet	Clutch Shaft Type: SPLINED
System: R-134a	Oil Type: PAG46

Part No: 1411012



Voltage: 24V	Material: Aluminum
Mount: Direct	Model Type: TM-31
Clutch Size: 6" (152mm)	OEM Model No: 103-68570
Cylinder Head Size/Thread: Pad	No. of Grooves: PV10
Oil Amount: 500	Clutch Assembly No: Not Serviced
Connector: 1 Wire Male Bullet	Clutch Shaft Type: SPLINED
System: R-134a	Oil Type: ZXL100

Valeo to Seltec / ICE to Que Interchange

Seltec No.	Valeo No.	Model Type	ICE No.	QUE No.	Part No
TM-08HS					
488-42080	103-52080	TM-08HS	2521261	QP08-1261	1403153
488-42083	103-52083	TM-08HS	2521388	QP08-1388	1403161
TM-13HA					
488-42110	103-52110	TM-13HA	2521497	QP13-1497	1403162
TM-13HS					
488-44070	103-54070	TM-13HS	2521145	QP13-1145	1403158
488-44120	103-54120	TM-13HS	2521302	QP13-1302	1403159
TM-15HD					
488-25011	103-25011	TM-15HD	2521121	-	1403001
488-25021	103-25021	TM-15HD	2521123	-	1403004
TM-15HS					
488-45011	103-55011	TM-15HS	2521152	QP15-1152	1403100
488-45015	103-55015	TM-15HS	2521153	QP15-1153	1403101
488-45017	103-55017	TM-15HS	2521154	QP15-1145	1403102
488-45019	103-55019	TM-15HS	2521156	QP15-1156	1403103
488-45021	103-55021	TM-15HS	2521157	QP15-1157	1403104
488-45030	103-55030	TM-15HS	2521158	QP15-1479	1403105
488-45036	103-55036	TM-15HS	2521160	QP15-1160	1403107
488-45043	103-55043	TM-15HS	2521161	QP15-1161	1403163
488-45047	103-55047	TM-15HS	2521162	QP15-1162	1403108
488-45063	103-55063	TM-15HS	2521166	QP15-1166	1403112
488-45056	103-55056	TM-15HS	2521163	QP15-1163	1403110
488-45057	103-55057	TM-15HS	2521164	-	1403111
488-45075	103-55075	TM-15HS	2521168	QP15-1168	1403114
488-45082	103-55082	TM-15HS	2521280	QP15-1280	1403116
488-45088	103-55088	TM-15HS	2521170	QP15-1170	1403117
488-45120	103-55120	TM-15HS	2521171	QP15-1171	1403119
488-45121	103-55121	TM-15HS	2521172	QP15-1172	1403120
488-45210	103-55210	TM-15HS	2521387	QP15-1387	1403123
TM-16HS					
488-46011	103-56011	TM-16HS	2521180	QP16-1180	1403125
488-46015	103-56015	TM-16HS	2521181	QP16-1181	1403126
488-46017	103-56017	TM-16HS	2521182	QP16-1182	1403127

* Aftermarket version compressor

Valeo to Seltec / ICE to Que Interchange

Seltec No.	Valeo No.	Model Type	ICE No.	QUE No.	Part No
488-46021	103-56021	TM-16HS	2521185	QP16-1185	1403128
435-56030	103-56030	TM-16HS	2521186	QP16-1186	1403129
488-46043	103-56043	TM-16HS	2521187	-	1403130
488-46056	103-56056	TM-16HS	2521189	QP16-1189	1403132
488-46120	103-56120	TM-16HS	2521195	QP16-1195	1403136
488-46121	103-56121	TM-16HS	2521196	QP16-1196	1403137
488-46122	103-56122	TM-16HS	2521197	QP16-1197	1403138
488-46131	103-56131	TM-16HS	2521470	-	1403166
488-46222	103-56222	TM-16HS	2521201	QP16-1201	1403140
488-46234	103-56234	TM-16HS	2521206	QP16-1206	1403141
488-46282	103-56282	TM-16HS	2521687	QP16-1641	1403167
103-56409	103-56409	-	2521686	-	1403170
-	103-56577	TM-16HS	0	-	1403171
TM-21HX					
488-25077	103-25077	TM-21HX	2521132	-	1403015
488-47240	103-57240	TM-21HX	2521564	QP21-1564	1403150
488-47244	103-57244	TM-21HX	2521562	QP21-1562	1403145
488-47245	103-67260	TM-21HX	2521657	-	1403169
488-47246	103-57246	TM-21HX	2521563	QP21-1563	1403146
488-47342	103-57242	TM-21HX	2521565	QP21-1565	1403147
-	103-67248	TM-21HX	-	-	1403168
TM-31					
488-46500	103-68500	TM-31	0	QP31-1209	1411005*
488-46510	103-68510	TM-31	0	QP31-1210	1411006*
488-46520	103-68520	TM-31	0	QP31-1211	1411007*
488-46530	103-68530	TM-31	0	QP31-1212	1411008*
488-46540	103-68540	TM-31	0	QP31-1213	1411009*
488-46550	103-68550	TM-31	0	QP31-1214	1411010*
488-46560	103-68560	TM-31	0	-	1411011*
488-46570	103-68570	TM-31	0	-	1411012*

* Aftermarket version compressor

Replacement Cylinder Heads

Part No 1407034

Vertical 3/4 x 7/8
Male Flare w/Ports



Part No 1407035

Vertical 3/4 x 7/8
Male O-Ring w/R-12
Ports



Part No 1407036

Horizontal 1 x 14
Male O-Ring



Part No 1407037

Vertical 1 x 14 Male
O-Ring



Part No 1407038

Vertical 3/4 x 7/8
Female O-Ring



Part No 1407042

Horizontal 3/4 x 7/8
Male Inverted O-Ring



Part No 1407044

Horizontal 3/4 x 7/8
Male Inverted O-Ring
Aluminum

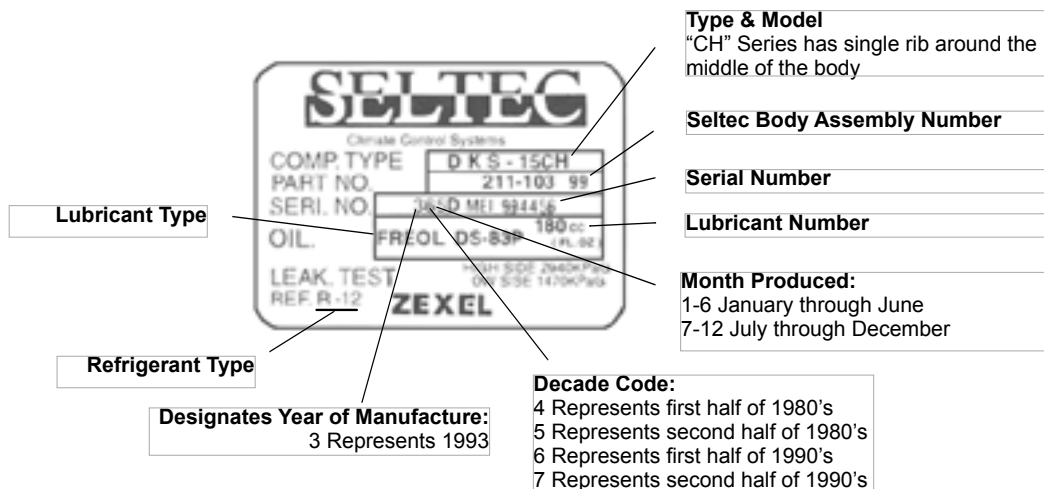


Part No 1407045

Horizontal No. 8 - No.
10 O-Ring



Seltec Label Configuration



The eight digit Seltec Part Number will be on a separate blue label w/ rounded corners















Seltec/Ice/Valeo Style Compressors

COMPRESSORS

Clutch Variations

Cylinder Head Variations

<p>Style A 135mm Double A Groove</p>		<p>Type A Cast Vertical O-Ring R-12 Charging Ports 3/4 x 7/8</p>	
<p>Style B 125mm Double A Groove</p>		<p>Type B Aluminum Vertical O-Ring 3/4 x 7/8</p>	
<p>Style C 135mm Double A Groove</p>		<p>Type C Cast Horizontal O-Ring 3/4 x 7/8</p>	
<p>Style D 8 Groove</p>		<p>Type D Cast Vertical O-Ring 3/4 x 7/8</p>	
<p>Style E Overhang</p>		<p>Type E Cast Vertical Tube O-Ring 1 x 14</p>	
<p>Style F Variable Groove</p>		<p>Type F Cast Horizontal Tube O-Ring 1 x 14</p>	
<p>Style G 7 Groove</p>		<p>Type G Horizontal GM Pad</p>	

R-134a Compressor Specifications - York/T/CCI Style

CC1 No.	Model Type	Mount Type	Cylinder Head			Clutch			Part No
			Type	System	Size/Thread	Shaft Type	Oil Amount	Clutch	
Rotolock									
ER210L-25149	York 2 cyl	Upright	Rotolock	R-134a	1 x 14	Long Key Shaft	400	-	1411001*
ER210R-25200	York 2 cyl	Upright	Rotolock	R-134a	1 x 14	Long Key Shaft	400	-	1411004*
ER210L-25248C	York 2 cyl	Upright	Rotolock	R-134a	1 x 14	Long Key Shaft	400	A2	1411014*
Tube O-Ring									
ET210L-25150	York 2 cyl	Upright	Tube O-Ring	R12/R-134a	1 x 14	Long Key Shaft	14 oz.	-	1402002
ET210L-25150	York 2 cyl	Upright	Tube O-Ring	R-134a	1 x 14	Long Key Shaft	400	-	1411002*
ET210R-25189	York 2 cyl	Upright	Tube O-Ring	R-134a	1 x 14	Long Key Shaft	400	-	1411003*
ET210L-25073C	York 2 cyl	Upright	Tube O-Ring	R-134a	1 x 14	Long Key Shaft	400	A2	1411013*
ET210L-25237C	York 2 cyl	Upright	Tube O-Ring	R-134a	1 x 14	Long Key Shaft	400	A2	1411015*
ET210L-25246C	York 2 cyl	Upright	Tube O-Ring	R-134a	1 x 14	Long Key Shaft	400	PV8	1411016*

* Aftermarket version compressor

Compressor Specifications

Specifications*	209	210
No Cylinders	2	2
Bore, in. mm	1.875 (47.63)	1.875 (47.63)
Stroke, in. mm	1.573 (39.95)	1.866 (47.40)
Disp., cu. in./rev. (cc/rev)	8.69 (142)	10.3 (169)
R.P.M. - Max.	6000	6000
Refrigerant	R-12,22,502,134a & new blends	R-12,22,502,134a & new blends
Initial Oil Charge, fl. oz. (ml)*	14 (413)	14 (413)
Weight, lbs. (kg.)	14.6 (6.6)	14.6 (6.6)
Lubrication	Splash and Positive Pressure and Oil Return Through Suction Side	

* R-12 Heavy Duty models contain 12 fl. oz. (355 ml). R-134a Heavy Duty models contain 14 fl. oz. (413 ml). Some OEM specifications are as high as 17 fl. oz. (503 ml).

R-134a Compressors - York/T/CCI Style

Part No: 1402002



Mount: Upright	Material: Aluminum
Cylinder Head Type: Tube O-Ring	Model Type: York 2 Cylinder
Cylinder Head Size/Thread: 1 x 14	OEM Model No: ET210L-25150
System: R12/R-134a	Clutch Shaft Type: Long Key Shaft
Oil Amount: 14 oz.	Oil Type: Lubrizol 2916 Ester Oil



York/T/CCI Style Compressors

R-134a Compressors - Aftermarket Version

COMPRESSORS

Part No: 1411001



Mount: Upright	Material: Aluminum
Cylinder Head Type: Rotolock	Model Type: York 2 Cylinder
Cylinder Head Size/Thread: 1 x 14	OEM Model No: ER210L-25149
System: R-134a	Clutch Shaft Type: Long Key Shaft
Oil Amount: 400	Oil Type: ZXL100

Part No: 1411002



Mount: Upright	Material: Aluminum
Cylinder Head Type: Tube O-Ring	Model Type: York 2 Cylinder
Cylinder Head Size/Thread: 1 x 14	OEM Model No: ET210L-25150
System: R-134a	Clutch Shaft Type: Long Key Shaft
Oil Amount: 400	Oil Type: ZXL100

Part No: 1411003



Mount: Upright	Material: Aluminum
Cylinder Head Type: Tube O-Ring	Model Type: York 2 Cylinder
Cylinder Head Size/Thread: 1 x 14	OEM Model No: ET210R-25189
System: R-134a	Clutch Shaft Type: Long Key Shaft
Oil Amount: 400	Oil Type: ZXL100

Part No: 1411004



Mount: Upright	Material: Aluminum
Cylinder Head Type: Rotolock	Model Type: York 2 Cylinder
Cylinder Head Size/Thread: 1 x 14	OEM Model No: ER210R-25200
System: R-134a	Clutch Shaft Type: Long Key Shaft
Oil Amount: 400	Oil Type: ZXL100

Part No: 1411013



Voltage: 12V	Material: Aluminum
Mount: Upright	Model Type: York 2 Cylinder
Clutch Size: 6" (152mm)	OEM Model No: ET210L-25073C
Cylinder Head Type: Tube O-Ring	No. of Grooves: A2
Cylinder Head Port Angle: TUBO	Clutch Assembly No: Not Serviced
Cylinder Head Size/Thread: 1 x 14	Clutch Shaft Type: Long Key Shaft
Oil Amount: 400	Oil Type: ZXL100
Connector: Plug In	System: R-134a

Part No: 1411014



Voltage: 12V	Material: Aluminum
Mount: Upright	Model Type: York 2 Cylinder
Clutch Size: 6" (152mm)	OEM Model No: ER210L-25248C
Cylinder Head Type: Rotolock	No. of Grooves: A2
Cylinder Head Port Angle: ROTOLOCK	Clutch Assembly No: Not Serviced
Cylinder Head Size/Thread: 1 x 14	Clutch Shaft Type: Long Key Shaft
Oil Amount: 400	Oil Type: ZXL100
Connector: Plug In	System: R-134a

Part No: 1411015



Voltage: 12V	Material: Aluminum
Mount: Upright	Model Type: York 2 Cylinder
Clutch Size: 6" (152mm)	OEM Model No: ET210L-25237C
Cylinder Head Type: Tube O-Ring	No. of Grooves: A2
Cylinder Head Port Angle: TUBO	Clutch Assembly No: Not Serviced
Cylinder Head Size/Thread: 1 x 14	Clutch Shaft Type: Long Key Shaft
Oil Amount: 400	Oil Type: ZXL100
Connector: Plug In	System: R-134a

Part No: 1411016



Voltage: 12V	Material: Aluminum
Mount: Upright	Model Type: York 2 Cylinder
Clutch Size: 6 1/8" (156mm)	OEM Model No: ET210L-25246C
Cylinder Head Type: Tube O-Ring	No. of Grooves: PV8
Cylinder Head Port Angle: TUBO	Clutch Assembly No: Not Serviced
Cylinder Head Size/Thread: 1 x 14	Clutch Shaft Type: Long Key Shaft
Oil Amount: 400	Oil Type: ZXL100
Connector: Plug In	System: R-134a

York/T/CCI Style Compressors

York/T/CCI to New Universal Interchange

York/T/CCI to New Universal Interchange

Old OEM Part No	New Part No	Clutch No.	Assy. Part No
ET210L-25007C	ET210L-25073C	1380001	1411013
ET210L-21887	ET210L-25073C	1380001	1411013
ET210L-25073C	No Change	1380001	1411013
ER210L-21571C	ER210L-25248C	1380001	1411014
ER210L-21741C	ER210L-25248C	1380001	1411014
688-21741C	ER210L-25248C	1380001	1411014
688-21571C	ER210L-25248C	1380001	1411014
ER210L-20300	ER210L-25149		1411001
ER210L-21001	ER210L-25149		1411001
ER210L-21237	ER210L-25149		1411001
ER210L-21562	ER210L-25149		1411001
ER210L-21569	ER210L-25149		1411001
ER210L-21570	ER210L-25149		1411001
ER210L-21572C	ER210L-25149	1399005	1411001
ER210L-21574C	ER210L-25149	1399005	1411001
ER210L-21643C	ER210L-25149	1399005	1411001
ER210L-16842	ER210L-25149		1411001
488-21237	ET210L-25150		1411002
488-21569	ET210L-25150		1411002

Old OEM Part No	New Part No	Clutch No.	Assy. Part No
ET210L-21097	ET210L-25150		1411002
ET210L-21909	ET210L-25150		1411002
ET210L-25063	ET210L-25150		1411002
488-21909	ET210L-25150		1411002
ET210L-25100	ET210L-25150		1411002
ET210L-21797	ET210L-25150		1411002
ET210L-21797	ET210L-25150		1411002
NEW	ET210L-25237C	1380002	1411015
ET210L-21909	ET210L-25150		1411002
ET210L-25063	ET210L-25150		1411002
488-21909	ET210L-25150		1411002
ET210L-25100	ET210L-25150		1411002
ET210L-21797	ET210L-25150		1411002
ET210L-21797	ET210L-25150		1411002
NEW	ET210L-25237C	1380002	1411015

GENERIC COMPRESSORS

T210L-21160	T210L-25061		1411002
R210L-21237	R210L-25062		1411001

Compressor Engine Application Table

Make	Engine Application	OEM Part No	Part No	Clutch No.
Freightliner	Detroit Series 60, CAT 3406, Cummins L10 & M11	ET210L-25073C	1411013	1380001
Freightliner	Cummins N14	ET210L-25073C	1411013	1380001
Freightliner	Detroit Series 50	ET210L-25073C	1411013	1380001
Freightliner	Detroit Series 60, CAT 3406, Cummins M11	ET210L-25237C	1411015	1380002
Freightliner	Cummins N14	ET210L-25237C	1411015	1380002
Freightliner	Detroit Series 60 w/pad mount bracket	ET210L-25246C	1411016	1380006
Kenworth	Detroit Series 60, CAT 3406, Cummins L10 & M11	ET210L-25073C	1411013	1380001
Kenworth	Detroit Series 60, CAT 3406, Cummins M11	ET210L-25237C	1411015	1380002
Kenworth	Detroit Series 60 w/pad mount bracket	ET210L-25246C	1411016	1380006
Western Star	Detroit Series 60, CAT 3406, Cummins L10 & M11	ET210L-25073C	1411013	1380001
Western Star	Detroit Series 60, CAT 3406, Cummins M11	ET210L-25237C	1411015	1380002
Western Star	Detroit Series 60 w/pad mount bracket	ET210L-25246C	1411016	1380006

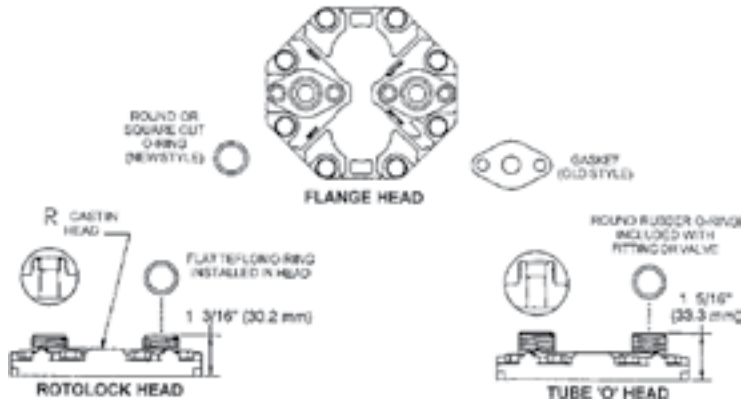


York/T/CCI Style Compressors

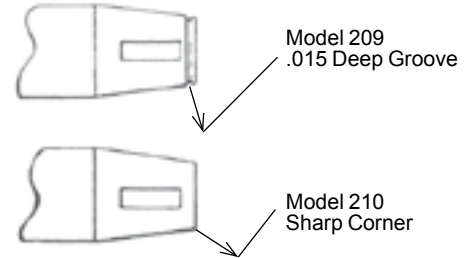
Compressor Configuration

COMPRESSORS

HEAD CONFIGURATION

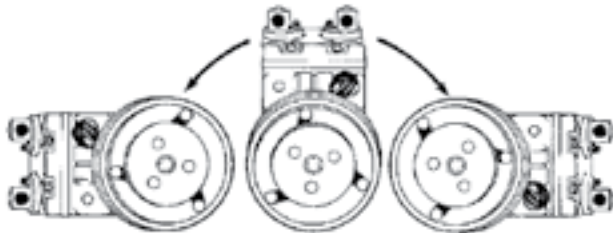


SHAFT DETAIL COMPRESSOR DISPLACEMENT



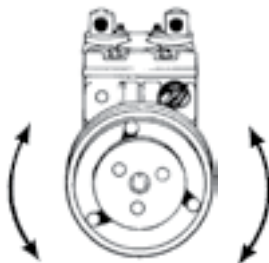
INSTALLATION

180 degree, left to right rotation



NOTE: OEM recommends that when positioning compressor at full 90 degree horizontal, suction side should be on "top".

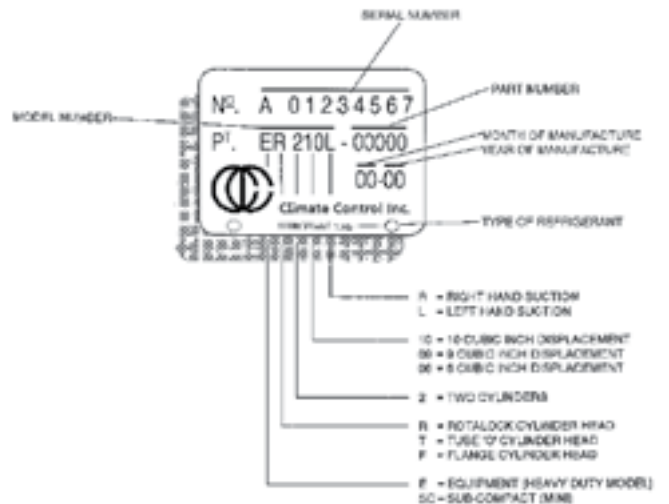
Clockwise or counterclockwise rotation



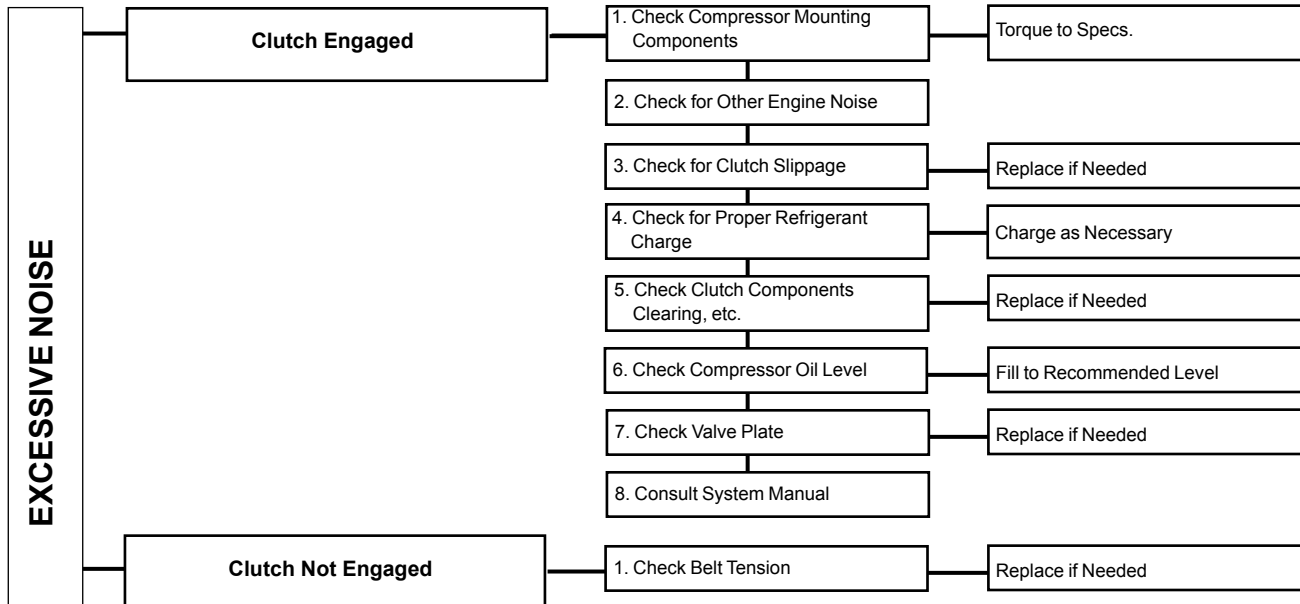
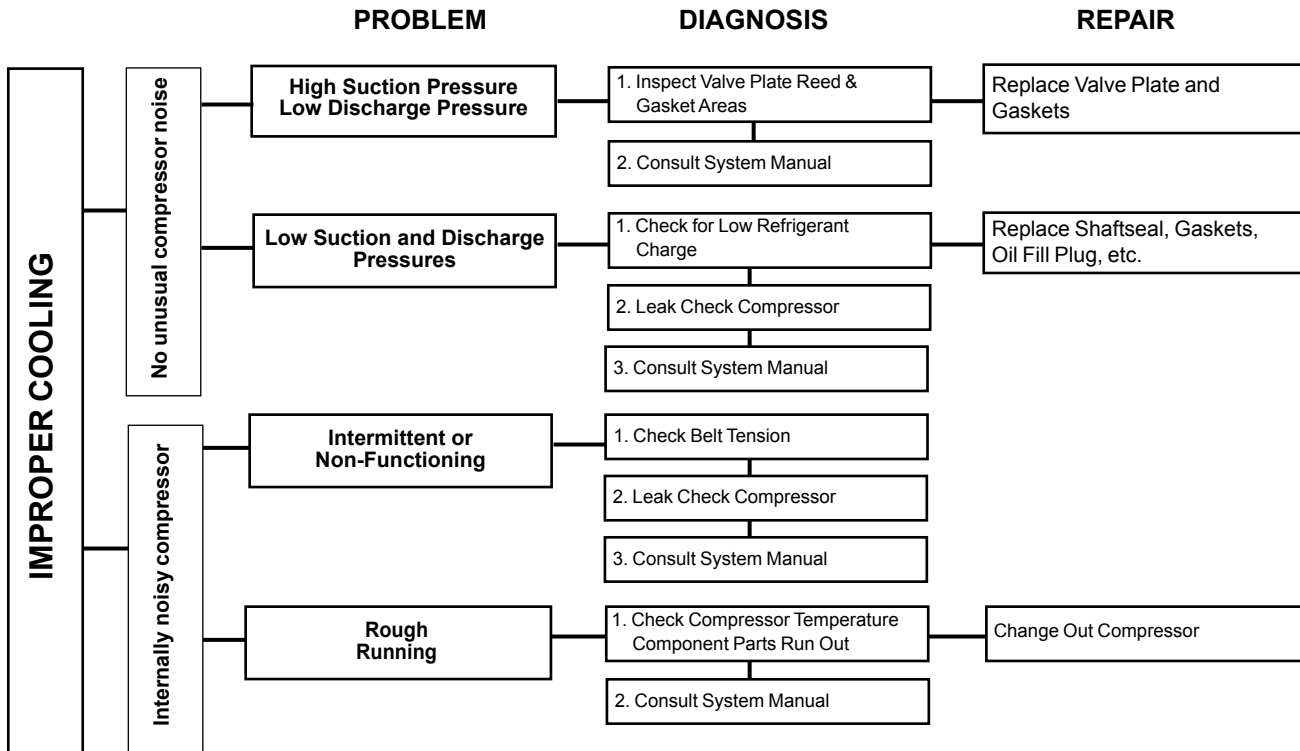
NAMEPLATE

The metal nameplate located at the top front of the compressor serves as a means of identification. The location permits viewing the nameplate w/ the clutch installed.

Date inscribed on the nameplate includes the serial number, combination model/part number, date of manufacture, and type of refrigerant.



Compressor Troubleshooting



Pulley & Spacers

Compressor Mounting Brackets and Seal Kits

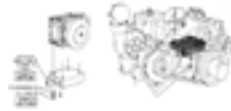
COMPRESSORS

Part No: 1407001



General Specifications: Compressor Mounting Bracket

Part No: 1407002



General Specifications: Compressor Mounting Bracket

Part No: 1407004



General Specifications: Universal Compressor Adapter Bracket, will mount Seltec or Sanden compressor to most C.C.I. or Blissfield compressor brackets.

Part No: 1407005



General Specifications: Compressor Mounting Bracket

Part No: 1407008



General Specifications: Universal Compressor Adapter Bracket, will mount Seltec or Sanden compressor to most C.C.I. or Blissfield compressor brackets.

Part No: 1407009



General Specifications: Universal Seltec or Sanden Mounting Kit - may require additional brackets to be fabricated.

Part No: 1407010



General Specifications: Deluxe Shaft Seal Kit for CCI Compressors

Part No: 1407046



General Specifications: Compressor Mounting Kit for 1998-1999 Bluebird FE Cummins ISB 5.9 Liter Engine

Part No: 1407047



General Specifications: Compressor Mounting Kit for 2018 Ford E 5.4-6.8 Liter Engine

Pulleys and Spacers

Part No: 1407020



General Specifications: Pulley, Bearing and Bolt Assembly
Diameter: 3 5/8" (91.9mm)

Spacers (order in quantities of 25)



Thickness	Part No
1/8"	1407024
1/4"	1407025
3/8"	1407026
1/2"	1407027

Compressor Service Parts

<p>Part No: 1407012</p> 	<p>Part No: 1407029</p> 	<p>Part No: 1407030</p> 
<p>General Specifications: 1 1/4" Eccentric Idler</p>	<p>General Specifications: Coil</p>	<p>General Specifications: Gasket Kit</p>

R-12 & R-134a CCI & Tecumseh Service Valve Specifications

Description	Compressor Thread Size	Hose Fittings			Refrigerant Hose		Part No
		Type	Size	Thread	Size	I.D.	
ROTOLOCK COMPRESSOR SERVICE VALVES - YORK/T/CCI/TECUMSEH R-12							
Back Seat 1"-14 Port R-12 Flare	1"-14	Flare	No. 10	7/8"-14	-	-	1408001
Back Seat 1"-14 Port R-12 Flare	1"-14	Flare	No. 8	3/4"-16	-	-	1408002
Port R-12 Top Port Service Valve O-Ring Fitting	1"-14	O-Ring	No. 8	3/4"-16	-	-	1408005
Port R-12 Top Port Service Valve O-Ring Fitting	1"-14	O-Ring	No. 10	7/8"-14	-	-	1408006
1"-14 Port R-12 O-Ring Fitting	1"-14	O-Ring	No. 8	3/4"-16	-	-	1408009
1"-14 Port R-12 O-Ring Fitting	1"-14	O-Ring	No. 10	7/8"-14	-	-	1408010
TUBE O-RING COMPRESSOR SERVICE VALVES - YORK/T/CCI/TECUMSEH R-12							
1"-14 Port R-12 O-Ring Fitting	1"-14	O-Ring	No. 8	3/4"-16	0	0	1408013
1"-14 Port R-12 O-Ring Fitting	1"-14	O-Ring	No. 10	7/8"-14	0	0	1408014
1"-14 Port R-12 Back Seat Flare Fitting	1"-14	Flare	No. 8	3/4"-16	0	0	1408015
1"-14 Port R-12 Back Seat Flare Fitting	1"-14	Flare	No. 10	7/8"-14	0	0	1408016
1"-14 Port R-12 Beadlock Fitting	1"-14	Beadlock	No. 8	0	No. 8	13/32"	1408017
1"-14 Port R-12 O-Ring Fitting	1"-14	O-Ring	No. 8	3/4"-16	0	0	1408020
Back Seat 1"-14 Port R-12 O-Ring Fitting	1"-14	O-Ring	No. 8	3/4"-16	0	0	1408053
Back Seat 1"-14 Port R-12 O-Ring Fitting	1"-14	O-Ring	No. 10	7/8"-14	0	0	1408054
ROTOLOCK COMPRESSOR SERVICE VALVES - YORK/CCI/TECUMSEH R-134A							
1"-14 Standard Flow Back Seat	1"-14	O-Ring	No. 8	3/4"-16	0	0	1408022
1"-14 Standard Flow Back Seat	1"-14	O-Ring	No. 10	7/8"-14	0	0	1408023
1"-14 Standard Flow R-134a Port O-Ring Fitting	1"-14	O-Ring	No. 8	3/4"-16	0	0	1408024
1"-14 Standard Flow R-134a Port O-Ring Fitting	1"-14	O-Ring	No. 10	7/8"-14	0	0	1408025
1"-14 Standard Flow R-134a Port Beadlock Fitting	1"-14	Beadlock	No. 10	0	No. 10	1/2"	1408027
TUBE O-RING COMPRESSOR SERVICE VALVES - YORK/T/CCI/TECUMSEH R-134A							
Top Port R-134a	1"-14	O-Ring	N/A	N/A	-	-	1408028
Top Port R-134a	1"-14	O-Ring	N/A	N/A	-	-	1408029
1"-14 Standard Flow Back Seat R-134a Port O-Ring Fitting	1"-14	O-Ring	No. 8	3/4"-16	-	-	1408030
1"-14 Standard Flow Back Seat R-134a Port O-Ring Fitting	1"-14	O-Ring	No. 10	7/8"-14	-	-	1408031
Discharge R-134a	1"-14	O-Ring	N/A	N/A	-	-	1408032
1"-14 Standard Flow R-134a Port O-Ring Fitting	1"-14	O-Ring	No. 8	3/4"-16	-	-	1408034
1"-14 Standard Flow R-134a Port O-Ring Fitting	1"-14	O-Ring	No. 10	7/8"-14	-	-	1408035
1"-14 Standard Flow R-134a Port Beadlock Fitting	1"-14	Beadlock	-	1"-14	No. 8	13/32"	1408036
1"-14 Standard Flow R-134a Port Beadlock Fitting	1"-14	Beadlock	-	1"-14	No. 10	1/2"	1408037

COMPRESSORS



Compressor Service Parts

R-12 & R-134a CCI & Tecumseh Service Valve Specifications

Description	Compressor Thread Size	Hose Fittings			Refrigerant Hose		Part No
		Type	Size	Thread	Size	I.D.	
1"-14 Standard Flow R-134a Port Beadlock Fitting	1"-14	Beadlock	No. 12	13mm	No. 12	5/8"	1408038
1"-14 High Flow R-134a Port O-Ring Fitting	1"-14	O-Ring	No. 8	3/4"-16	-	-	1408039
1"-14 High Flow R-134a Port O-Ring Fitting	1"-14	O-Ring	No. 10	7/8"-14	-	-	1408040

Ford Service Valve Specifications

Description	Compressor Thread Size	Hose Fittings			Refrigerant Hose		Part No
		Type	Size	Thread	Size	I.D.	
FORD COMPRESSOR SERVICE VALVES							
Ford In-Line Back Seat Valve R-12 & R-134a O-Ring Fitting	3/4"-16 UNF2A	O-Ring	No. 8	3/4"-16	-	-	1408043
Ford In-Line Back Seat Valve R-12 & R-134a O-Ring Fitting	7/8"-16 UNF2A	O-Ring	No. 10	7/8"-14	-	-	1408044
Ford Metric Back Seat Valve R-12 & R-134a O-Ring Fitting	M20	O-Ring	No. 8	3/4"-16	-	-	1408045
Ford Metric Back Seat Valve R-12 & R-134a O-Ring Fitting	M24	O-Ring	No. 10	7/8"-14	-	-	1408046

Seltec & Sanden Service Valve Specifications

Description	Thread Size	Hose Fittings			Service Port Size	Part No
		Type	Size	Thread		
SELTEC & SANDEN W/O SERVICE PORTS ON COMPRESSOR						
1/4" Service Port R-12 O-Ring Fitting without service ports on compressor	3/4"-16	O-Ring	No. 8	3/4"-16	1/4"	1408047
1/4" Service Port R-12 O-Ring Fitting without service ports on compressor	7/8"-14	O-Ring	No. 10	7/8"-14	1/4"	1408048
Standard Flow R-134a O-Ring Fitting without service ports on compressor	3/4"-16	O-Ring	No. 8	3/4"-16	16mm	1408049
Standard Flow R-134a O-Ring Fitting without service ports on compressor	7/8"-14	O-Ring	No. 10	7/8"-14	13mm	1408050
Standard Flow R-134a O-Ring Fitting without service ports on compressor	3/4"-16	O-Ring	No. 8	3/4"-16	16mm	1408051
Standard Flow R-134a O-Ring Fitting without service ports on compressor	7/8"-14	O-Ring	No. 10	7/8"-14	13mm	1408052

Rotolock Compressor Service Valves - York/T/CCI/Tecumseh R-12

Fitting Type: Back Seat 1"-14 Port R-12 Flare			Fitting Type: Port R-12 Top Port Service Valve O-Ring Fitting			Fitting Type: 1"-14 Port R-12 O-Ring Fitting		
								
Fitting Size: No. 10	Fitting Thread Size: 7/8"-14	1408001	Fitting Size: No. 8	Fitting Thread Size: 7/8"-14	1408005	Fitting Size: No. 8	Fitting Thread Size: 3/4"-16	1408009
Fitting Size: No. 8	Fitting Thread Size: 3/4"-16	1408002	Fitting Size: No. 10	Fitting Thread Size: 3/4"-16	1408006	Fitting Size: No. 10	Fitting Thread Size: 7/8"-14	1408010



Tube O-Ring Compressor Service Valves - York/T/CCI/Tecumseh R-12

Fitting Type: 1"-14 Port R-12 O-Ring Fitting		
		
Fitting Size: No. 8	Fitting Thread Size: 3/4"-16	1408013
Fitting Size: No. 10	Fitting Thread Size: 7/8"-14	1408014


Fitting Type: 1"-14 Port R-12 Back Seat Flare Fitting		
		
Fitting Size: No. 8	Fitting Thread Size: 3/4"-16	1408015
Fitting Size: No. 10	Fitting Thread Size: 7/8"-14	1408016


Fitting Type: 1"-14 Port R-12 Beadlock Fitting		
		
Fitting Size: No. 8	Fitting Thread Size: 13/32"	1408017


Fitting Type: 1"-14 Port R-12 O-Ring Fitting		
		
Fitting Size: No. 8	Fitting Thread Size: 3/4"-16	1408020

Fitting Type: Back Seat 1"-14 Port R-12 O-Ring Fitting		
		
Fitting Size: No. 8	Fitting Thread Size: 3/4"-16	1408053
Fitting Size: No. 10	Fitting Thread Size: 7/8"-14	1408054

Rotolock Compressor Service Valves - York/T/CCI/Tecumseh R-134a

Fitting Type: 1"-14 Standard Flow Back Seat			
			
Fitting Size: No. 8	Fitting Thread Size: 3/4"-16	Fitting Service Port Size: 16mm	1408020
Fitting Size: No. 10	Fitting Thread Size: 7/8"-14	Fitting Service Port Size: 13mm	1408020

Fitting Type: 1"-14 Standard Flow R-134a Port O-Ring Fitting			
			
Fitting Size: No. 8	Fitting Thread Size: 3/4"-16	Fitting Service Port Size: 16mm	1408024
Fitting Size: No. 10	Fitting Thread Size: 7/8"-14	Fitting Service Port Size: 13mm	1408025

Fitting Type: 1"-14 Standard Flow R-134a Port Beadlock Fitting			
			
Fitting Size: No. 10	Fitting Thread Size: 1/2"	Fitting Service Port Size: 13mm	1408027



Compressor Service Parts

Tube O-Ring Compressor Service Valves - York/T/CCI/Tecumseh R-134a

COMPRESSORS

Fitting Type: Top Port R-134a



Fitting Size: No. 8	Fitting Thread Size: 3/4"-16	1408028
Fitting Size: No. 10	Fitting Thread Size: 7/8"-14	1408029

Fitting Type: 1"-14 Standard Flow Back Seat R-134a Port O-Ring Fitting



Fitting Size: No. 8	Fitting Thread Size: 3/4"-16	Fitting Service Port Size: 16mm	1408030
Fitting Size: No. 10	Fitting Thread Size: 7/8"-14	Fitting Service Port Size: 13mm	1408031

Fitting Type: Discharge R-134a



Fitting Size: No. 8	Fitting Thread Size: 3/4"-16	1408032
---------------------	------------------------------	----------------

Fitting Type: 1"-14 Standard Flow R-134a Port O-Ring Fitting



Fitting Size: No. 8	Fitting Thread Size: 3/4"-16	Fitting Service Port Size: 16mm	1408034
Fitting Size: No. 10	Fitting Thread Size: 7/8"-14	Fitting Service Port Size: 13mm	1408035

Fitting Type: 1"-14 Standard Flow R-134a Port Beadlock Fitting



Hos Size: No. 8	Hose Inner Diameter: 13/32"	Fitting Service Port Size: 16mm	1408036
Hos Size: No. 10	Hose Inner Diameter: 1/2"	Fitting Service Port Size: 13mm	1408037
Hos Size: No. 12	Hose Inner Diameter: 5/8"	Fitting Service Port Size: 13mm	1408038

Fitting Type: 1"-14 High Flow R-134a Port O-Ring Fitting



Fitting Size: No. 8	Fitting Thread Size: 3/4"-16	Fitting Service Port Size: 16mm	1408039
Fitting Size: No. 10	Fitting Thread Size: 7/8"-14	Fitting Service Port Size: 13mm	1408037

Ford Compressor Service Valves

Fitting Type: Ford In-Line Back Seat Valve R-12 & R-134a O-Ring Fitting



Fitting Size: No. 8	Fitting Thread Size: 3/4"-16	Fitting Service Port Size: 3/4"-16 UNF-2A	1408043
Fitting Size: No. 10	Fitting Thread Size: 7/8"-14	Fitting Service Port Size: 7/8"-14 UNF-2A	1408044

Fitting Type: Ford Metric Back Seat Valve R-12 & R-134a O-Ring Fitting



Fitting Size: No. 8	Fitting Thread Size: 3/4"-16	Fitting Service Port Size: M20	1408045
Fitting Size: No. 10	Fitting Thread Size: 7/8"-14	Fitting Service Port Size: M24	1408046

Seltec & Sanden without Service Ports on Compressor

**Fitting Type: 1/4" Service Port R-12
O-Ring Fitting without service ports on compressor**



Fitting Size: No. 8	Fitting Thread Size: 3/4"-16	Fitting Service Port Size: 1/4"	1408047
Fitting Size: No. 10	Fitting Thread Size: 7/8"-14	Fitting Service Port Size: 1/4"	1408048

**Fitting Type: Standard Flow R-134a
O-Ring Fitting without service ports on compressor**



Fitting Size: No. 8	Fitting Thread Size: 3/4"-16	Fitting Service Port Size: 16mm	1408049
Fitting Size: No. 10	Fitting Thread Size: 7/8"-14	Fitting Service Port Size: 13mm	1408050

**Fitting Type: Standard Flow R-134a
O-Ring Fitting**



Fitting Size: No. 8	Fitting Thread Size: 3/4"-16	Fitting Service Port Size: 16mm	1408051
Fitting Size: No. 10	Fitting Thread Size: 7/8"-14	Fitting Service Port Size: 13mm	1408052

Caps

Part No: 1409001



General Specifications: Refrigerant Valve Flare
Fitting Size: 1/4"
Material: Brass
Package Size: 15

Part No: 1409002



General Specifications: York and Tec Long Stem
Package Size: 5

Part No: 1409003



General Specifications: Charging Port
Fitting Size: 13/16"
Package Size: 5

Part No: 1409004



General Specifications: Color: Blue, Low Side
Material: Plastic
Package Size: 5

Part No: 1409005



General Specifications: Color: Red, High Side
Package Size: 5

Part No: 1409006



General Specifications: Color: Blue
Package Size: 5



Caps

Part No: 1409007



General Specifications: Color: Red, Charge Valve
 Package Size: 5

Part No: 1409008



General Specifications: Rotolock to Tube O adapter
 Material: Steel
 Package Size: 5

Part No: 1409009



General Specifications: Color: Black, Seal
 Material: Nylon
 Package Size: 5

Part No: 1409010



General Specifications: Cap

Part No: 1409011



General Specifications: Color: Blue, Adapter
 Fitting Size: 13mm
 Package Size: 5

Part No: 1409012



General Specifications: Color: Red, Adapter
 Fitting Size: 16mm
 Package Size: 5

Part No: 1409013



General Specifications: Port
 Fitting Size: 13mm
 Package Size: 5

Part No: 1409014



Fitting Size: 1/4"
 Material: Aluminum
 Package Size: 5

Part No: 1409016



General Specifications: Port
 Fitting Size: 16mm
 Package Size: 5

Part No: 1409017



General Specifications: Port
 Fitting Size: 13/16"
 Package Size: 5

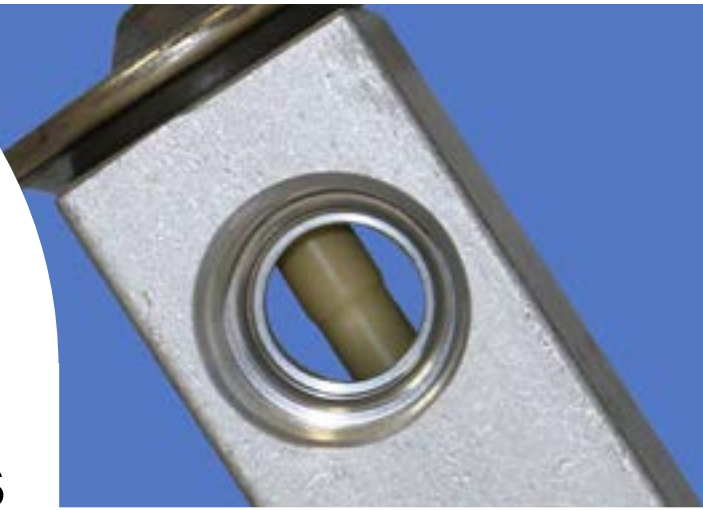
Part No: 1409018



General Specifications: Port
 Fitting Size: 1/4"
 Package Size: 5

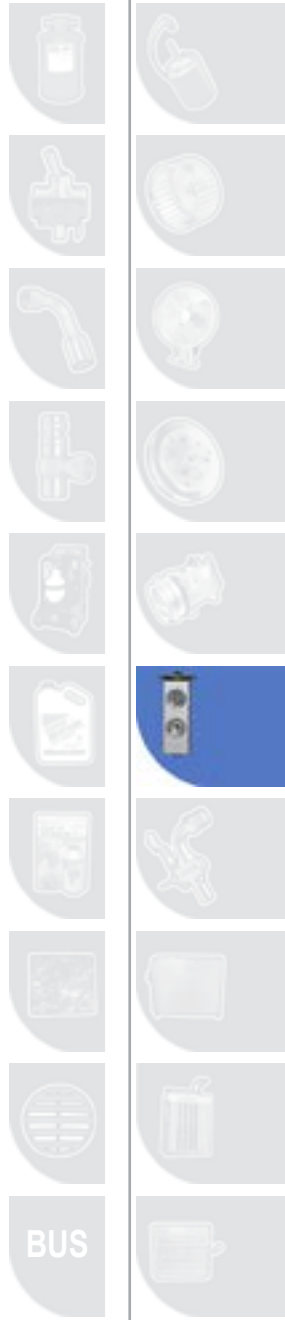


Air Conditioning & Heating
Replacement Parts



Expansion Valves

Expansion Valve Specifications	310
Solenoid Valves	310
Block Type Expansion Valves	310
Externally Equalized Type Expansion Valves	311
Internally Equalized Type Expansion Valves	312
Solenoid Valves	312
Block Type Expansion Valves	314
Externally Equalized Expansion Valves	321
Internally Equalized Expansion Valves	323
Cycling Clutch Orifice Tube (CCOT)	324
Service Tips	325



Availability of the products shown in this catalog is subject to change without notice by Bergstrom, Inc. For the most current product information please visit the Kysor distributor website at <https://parts.kysorhvac.com/>.

Call: 800.499.6849 for Technical Assistance

Expansion Valve Specifications

Solenoid Valves

Description	Inlet	Outlet	Tonnage	Part No
12V Air-Operated Solenoid Valve 5/8"-18 UNF-2A Thread	No. 6 Male O-Ring	No. 6 Male O-Ring	1 Ton	1812004
Air-Operated Solenoid Valve	1/8" NPT	1/8" NPT	-	1899011
24V Air-Operated Solenoid Valve 5/8"-18 UNF-2A Thread	No. 6 Male O-Ring	No. 6 Male O-Ring	1 Ton	1899017
12V Air-Operated Solenoid Valve	-	-	-	1899018
12V Air-Operated Solenoid Valve Fitting, Assembly use with R-134a	-	-	-	1899020
12V Electronically-Operated Solenoid Valve	-	-	-	1899032
12V Air-Operated Solenoid Valve use with R-134a	3/8 O-Ring	3/8 O-Ring	-	1899038
12V Electronically-Operated Solenoid Valve, Continuous Duty, 5/16"-24 UNF	-	-	-	2175009
24V Electronically-Operated Solenoid Valve, Continuous Duty, 5/16"-24 UNF	-	-	-	2175010
24V Air-Operated Solenoid Valve Assembly with connector Deutsch DT04-2p	-	-	-	2199075

Block Type Expansion Valves

Description	Inlet	Outlet	Suction Inlet	Suction Outlet	Tonnage	Part No
-	No. 6 Pad Mount	No. 8 Pad Mount	No. 10 Pad Mount	No. 10 Pad Mount	1 1/2 Ton	1812005
-	No. 6 Pad Mount	No. 8 Pad Mount	No. 10 Pad Mount	No. 12 Pad Mount	1 1/2 Ton	1812006
-	No. 6 Pad Mount	No. 8 Pad Mount	No. 10 Pad Mount	No. 10 Pad Mount	3/4 Ton	1812007
-	No. 6 Pad Mount	No. 8 Pad Mount	No. 10 Pad Mount	No. 12 Pad Mount	2 Ton	1812008
-	No. 6 Pad Mount	No. 8 Pad Mount	No. 10 Pad Mount	No. 10 Pad Mount	1 1/2 Ton	1812010
-	No. 6 Pad Mount	No. 8 Pad Mount	No. 10 Pad Mount	No. 10 Pad Mount	1 1/2 Ton	1812011
-	No. 6 Pad mount	No. 12 Pad Mount	No. 8 Pad Mount	No. 10 Pad mount	2 Ton	1813013
-	No. 6 Pad mount	No. 8 Pad Mount	No. 10 Pad Mount	No. 10 Pad mount	1 1/2 Ton	1813014
-	No. 6 Pad mount	No. 8 Pad Mount	No. 8 Pad Mount	No. 10 Pad mount	1 1/2 Ton	1813015
-	No. 6 Pad Mount	No. 8 Pad Mount	No. 8 Pad Mount	No. 10 Pad Mount	1 1/2 Ton	1813020
-	No. 6 Pad Mount	No. 12 Pad Mount	No. 8 Pad Mount	No. 10 Pad Mount	2 Ton	1814004
-	No. 6 Pad Mount	No. 8 Pad Mount	No. 8 Pad Mount	No. 10 Pad Mount	2 Ton	1814008
-	No 6 Pad Mount	No. 8 Pad Mount	No. 8 Pad Mount	No. 10 Pad Mount	2 Ton	1817001
M6 x 1 Stud	No. 6 Pad Mount	No. 8 Pad Mount	No. 8 Pad Mount	No. 10 Pad Mount	1 1/2 Ton	1817003
M6 x 1 Stud	No. 6 Pad Mount	No. 8 Pad Mount	No. 8 Pad Mount	No. 10 Pad Mount	2 Ton	1817004
-	No. 6 Pad mount	No. 8 Pad Mount	No. 10 Pad Mount	No. 12 Pad mount	1 1/2 Ton	1817005
M8 x 1.25 Stud	No. 6 Pad mount	No. 8 Pad Mount	No. 10 Pad Mount	No. 12 Pad Mount	1 1/2 Ton	1817007
-	No. 6 Pad mount	No. 8 Pad Mount	No. 10 Pad Mount	No. 12 Pad Mount	2 Ton	1817008
M8 x 1.25 Stud	No. 6 Pad mount	No. 8 Pad Mount	No. 10 Pad Mount	No. 12 Pad Mount	2 Ton	1817009
-	No. 6 Pad Mount	No. 8 Pad Mount	No. 8 Pad Mount	No. 10 Pad Mount	1 1/2 Ton	1817015
-	No. 6 Pad Mount	No. 8 Pad Mount	No. 8 Pad Mount	No. 10 Pad Mount	2 Ton	1817016
-	No. 6 Pad Mount	No. 8 Pad Mount	No. 10 Pad Mount	No. 12 Pad Mount	2 Ton	1817017
-	No. 6 Pad Mount	No. 8 Pad Mount	No.10 Pad Mount	No. 10 Pad mount	1 1/2 Ton	1818007
-	No. 6 Pad Mount	No. 8 Pad Mount	No. 8 Pad Mount	No. 10 Pad Mount	2 Ton	1899050
-	No. 6 Pad Mount	No. 12 Pad Mount	No. 12 Pad Mount	No. 12 Pad Mount	1 1/2 Ton	1899051
-	No. 6 Pad Mount	No. 8 Pad Mount	No. 10 Pad Mount	No. 12 Pad Mount	2 Ton	1899052
-	No. 6 Female O-Ring	No. 8 Female O-Ring	No. 10 Female O-Ring	No. 10 Female O-Ring	2 Ton	1812016
-	No. 6 Female O-Ring	No. 8 Female O-Ring	No. 8 Female O-Ring	No. 10 Female O-Ring	2 Ton	1812019
-	No. 6 Female O-Ring	No. 8 Female O-Ring	No. 10 Female O-Ring	No. 10 Female O-Ring	1 1/2 Ton	1812020
M6 x 1 Stud	No. 6 Female O-Ring	No. 8 Female O-Ring	No. 8 Female O-Ring	No. 10 Female O-Ring	2 Ton	1813007
M6 x 1 Stud	No. 6 Female O-Ring	No. 8 Female O-Ring	No. 8 Female O-Ring	No. 10 Female O-Ring	1 1/2 Ton	1813018
M6 x 1 Stud	No. 6 Female O-Ring	No. 8 Female O-Ring	No. 8 Female O-Ring	No. 10 Female O-Ring	1 1/2 Ton	1813019

Block Type Expansion Valves

Description	Inlet	Outlet	Suction Inlet	Suction Outlet	Tonnage	Part No
M8 x 1.25 Stud	No. 6 Female O-Ring	No. 8 Female O-Ring	No. 8 Female O-Ring	No. 10 Female O-Ring	2 ton	1814005
-	No. 6 Female O-Ring	No. 8 Female O-Ring	No. 8 Female O-Ring	No. 10 Female O-Ring	2 Ton	1814006
-	No. 6 Female O-Ring	No. 8 Female O-Ring	No. 8 Female O-Ring	No. 10 Female O-Ring	1 1/2 Ton	1814007
-	No. 6 Female O-Ring	No. 8 Female O-Ring	No. 10 Female O-Ring	No. 12 Female O-Ring	2 Ton	1815001
-	No. 6 Female O-Ring	No. 8 Female O-Ring	No. 10 Female O-Ring	No. 12 Female O-Ring	2 Ton	1818006
-	No. 6 Female O-Ring	No. 8 Female O-Ring	No. 12 Female O-Ring	No. 12 Female O-Ring	1 Ton	1818008
-	No. 6 Female O-Ring	No. 8 Female O-Ring	No. 10 Female O-Ring	No. 10 Female O-Ring	2 Ton	1818009
-	No. 6 Female O-Ring	No. 8 Female O-Ring	No. 10 Female O-Ring	No. 10 Female O-Ring	2 Ton	1899005
-	No. 6 Female O-Ring	No. 8 Female O-Ring	No. 8 Female O-Ring	No. 10 Female O-Ring	2 Ton	1899031
-	No. 6 Female O-Ring	No. 8 Female O-Ring	No. 8 Female O-Ring	No. 10 Female O-Ring	2 1/2 Ton	1899040
-	No. 6 Female O-Ring	No. 8 Female O-Ring	No. 10 Female O-Ring	No. 12 Female O-Ring	2 Ton	1899041
-	No. 6 Female O-Ring	No. 8 Female O-Ring	No. 10 Female O-Ring	No. 10 Female O-Ring	2 Ton	1899042
-	No. 6 Female O-Ring	No. 8 Female O-Ring	No. 10 Female O-Ring	No. 12 Female O-Ring	2 Ton	1899043
M6 x 1 Stud	No. 6 Female O-Ring	No. 8 Female O-Ring	No. 8 Female O-Ring	No. 10 Female O-Ring	2 Ton	1899044
-	No. 6 Female O-Ring	No. 8 Female O-Ring	No. 8 Female O-Ring	No. 10 Female O-Ring	1 1/2 Ton	1899046
-	No. 6 Female O-Ring	No. 8 Female O-Ring	No. 10 Female O-Ring	No. 10 Female O-Ring	2 Ton	1899048
-	No. 6 Female O-Ring	No. 8 Female O-Ring	No. 10 Female O-Ring	No. 10 Female O-Ring	2 Ton	1899053
-	No. 6 Female O-Ring	No. 8 Female O-Ring	No. 10 Female O-Ring	No. 10 Female O-Ring	1 1/2 Ton	1899054
-	No. 6 Female O-Ring	No. 12 Female O-Ring	No. 12 Female O-Ring	No. 12 Female O-Ring	1 1/2 Ton	1899055
-	No. 6 Female O-Ring	No. 8 Female O-Ring	No. 10 Female O-Ring	No. 12 Female O-Ring	2 Ton	1899056
-	No. 6 Female O-Ring	No. 8 Female O-Ring	No. 10 Female O-Ring	No. 12 Female O-Ring	2 Ton	1899057
-	No. 6 Female O-Ring	No. 8 Female O-Ring	No. 8 Female O-Ring	No. 10 Female O-Ring	2 Ton	1899058
-	No. 6 Female O-Ring	No. 8 Female O-Ring	No. 10 Female O-Ring	No. 10 Female O-Ring	1 1/2 Ton	1899064
-	No. 8 Pad Mount	No. 8 Pad Mount	No. 10 Pad Mount	No. 10 Pad mount	2 Ton	1813012
-	No. 8 Pad Mount	No. 8 Pad Mount	No. 10 Pad Mount	No. 12 Pad Mount	1 Ton	1812012
-	No. 8 Pad Mount	No. 12 Pad Mount	No. 8 Pad Mount	No. 12 Pad Mount	1 Ton	1812014
-	No. 8 Pad Mount	No. 8 Pad Mount	No. 12 Pad Mount	No. 10 Pad Mount	1 Ton	1814003
-	No. 8 Pad Mount	No. 8 Pad Mount	No. 12 Pad Mount	No. 12 Pad Mount	1 Ton	1812013
M6 x 1 Stud	No. 8 Female O-Ring	No. 6 Female O-Ring	No. 10 Female O-Ring	No. 8 Female O-Ring	2 Ton	1813016
-	No. 8 Female O-Ring	No. 10 Female O-Ring	No. 8 Female O-Ring	No. 10 Female O-Ring	2 Ton	1817010

EXPANSION VALVES

Externally Equalized Type Expansion Valves

Inlet	Outlet	Tonnage	Equalizer Tube Length	Capillary Tube Length	Nut	Part No
3/8 Male O-Ring	1/2 Male O-Ring	1 1/2 Ton	9 13/16" (250mm)	8" (203mm)	7/16-20 UNF	1899049
3/8 Male O-Ring	5/8 Male O-Ring	2 Ton	14" (355.6mm)	13" (330.2mm)	7/16-20 UNF	1899009
3/8 Male O-Ring	5/8 Male O-Ring	1 1/2 Ton	11 13/16" (300mm)	11 5/8" (295mm)	7/16-24 UNF	1899045
5/8-18 Male 45° Flare	3/4-16 Male 45° Flare	1 1/2 Ton	18 3/4" (476mm)	29 15/16" (760mm)	7/16-20	1812017
5/8-18 Male O-Ring	3/4-16 Male O-Ring	1 1/2 Ton	18 3/8" (466mm)	33 1/16" (840mm)	7/16-24	1812018
5/8-18 Male O-Ring	3/4-16 Male O-Ring	2 Ton	16 9/16" (421mm)	11 13/16" (300mm)	7/16-20	1814001
5/8-18 Male O-Ring	3/4-16 Male O-Ring	2 Ton	16 3/16" (411mm)	15 3/16" (385mm)	7/16-20	1899062
5/8-18 Male O-Ring	3/4-16 Male O-Ring	1 1/2 Ton	16 3/8" (416mm)	19 5/16" (490mm)	7/16-20	1899063
5/8-18 Male O-Ring	3/4-16 Male O-Ring	2 Ton	16 9/16" (421mm)	11 13/16" (300mm)	7/16-20	1899065
5/8-18 Male O-Ring	3/4-16 Male O-Ring	1 1/2 Ton	33 7/8" (861mm)	35 7/8" (911mm)	7/16-24	1899066
No. 6 Male O-Ring	No. 8 Male O-Ring	1 1/2 Ton	31" (787.4mm)	33" (838.2mm)	-	1813001

Solenoid Valves

Externally Equalized Type Expansion Valves

Inlet	Outlet	Tonnage	Equalizer Tube Length	Capillary Tube Length	Nut	Part No
No. 6 Male O-Ring	No. 8 Male O-Ring	1 1/2 Ton	29 1/2" (750mm)	17 5/16" (440mm)	7/16"-20 Female O-Ring	1813017
No. 6 Male O-Ring	No. 8 Male O-Ring	2 Ton	13" (330.2mm)	13" (330.2mm)	7/16"-20	1875003
No. 6 Male O-Ring	No. 8 Male O-Ring	1 1/2 Ton	33" (838.2mm)	33" (838.2mm)	-	1899026
No. 6 Male 45° Flare	No. 8 Male 45° Flare	1 1/2 Ton	18" (457.2mm)	18" (457.2mm)	-	1899008

Internally Equalized Type Expansion Valves

Inlet	Outlet	Tonnage	Capillary Tube Length	Nut	Part No
3/8" Male O-Ring	1/2" Male O-Ring	2 Ton	12 3/16" (310mm)	-	1899047
No. 6 Male Flare	No. 8 Male Flare	1 1/2 Ton	12" (304.8mm)	-	1813002
M18 x 1.5 Male O-Ring	M20 x 1.5 Male O-Ring	2 Ton	16 1/2" (420mm)	-	1817018
M16 x 1.5 Male O-Ring	M20 x 1.5 Male O-Ring	1 1/2 Ton	16 1/8" (410mm)	-	1817011

Solenoid Valves

Part No: 1812004



General Specifications: 5/8"-18 UNF-2A Thread

Tonnage: 1 Ton

Inlet: No. 6 Male O-Ring

Outlet: No. 6 Male O-Ring

Voltage: 12V

Part No: 1899011



Inlet: 1/8" NPT

Outlet: 1/8" NPT

Part No: 1899017



General Specifications: 5/8"-18 UNF-2A Thread

Tonnage: 1 Ton

Inlet: No. 6 Male O-Ring

Outlet: No. 6 Male O-Ring

Voltage: 24V

Part No: 1899018



Voltage: 12V

Part No: 1899020



General Specifications: Fitting Assembly use with R-134a

Inlet: No. 6 Female O-Ring

Outlet: No. 6 Female O-Ring

Voltage: 12V

Part No: 1899032



General Specifications: Electronically-Operated Solenoid Valve

Voltage: 12V

Part No: 1899038



General Specifications: Use with R-134a

Inlet: 3/8 O-Ring

Outlet: 3/8 O-Ring

Voltage: 12V

Part No: 2175009



General Specifications: Electronically-Operated Solenoid Valve, Continuous Duty, 5/16"-24 UNF

Voltage: 12V

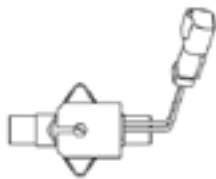
Part No: 2175010



General Specifications: Electronically-Operated Solenoid Valve, Continuous Duty, 5/16"-24 UNF

Voltage: 24V

Part No: 2199075



General Specifications: Valve Assembly with connector Deutsch DT04-2p

Voltage: 24V

Block Type Expansion Valves

Part No: 1812005



Tonnage: 1 1/2 Ton
Inlet: No. 6 Pad Mount
Outlet: No. 8 Pad Mount
Suction Inlet: No. 10 Pad Mount
Suction Outlet: No. 10 Pad Mount

Part No: 1812006



Tonnage: 1 1/2 Ton
Inlet: No. 6 Pad Mount
Outlet: No. 8 Pad Mount
Suction Inlet: No. 10 Pad Mount
Suction Outlet: No. 12 Pad Mount

Part No: 1812007



Tonnage: 3/4 Ton
Inlet: No. 6 Pad Mount
Outlet: No. 8 Pad Mount
Suction Inlet: No. 10 Pad Mount
Suction Outlet: No. 10 Pad Mount

Part No: 1812008



Tonnage: 2 Ton
Inlet: No. 6 Pad Mount
Outlet: No. 8 Pad Mount
Suction Inlet: No. 10 Pad Mount
Suction Outlet: No. 12 Pad Mount

Part No: 1812010



Tonnage: 1 1/2 Ton
Inlet: No. 6 Pad Mount
Outlet: No. 8 Pad Mount
Suction Inlet: No. 10 Pad Mount
Suction Outlet: No. 10 Pad Mount

Part No: 1812011



Tonnage: 1 1/2 Ton
Inlet: No. 6 Pad Mount
Outlet: No. 8 Pad Mount
Suction Inlet: No. 10 Pad Mount
Suction Outlet: No. 10 Pad Mount

Part No: 1812012



Tonnage: 1 Ton
Inlet: No. 8 Pad Mount
Outlet: No. 8 Pad Mount
Suction Inlet: No. 10 Pad Mount
Suction Outlet: No. 12 Pad Mount

Part No: 1812013



Tonnage: 1 Ton
Inlet: No. 8 Pad Mount
Outlet: No. 8 Pad Mount
Suction Inlet: No. 12 Pad Mount
Suction Outlet: No. 12 Pad Mount

Part No: 1812014



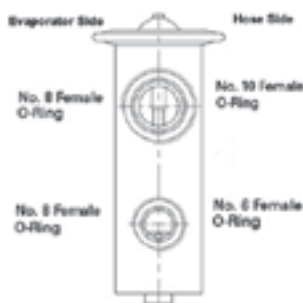
Tonnage: 1 Ton
Inlet: No. 8 Pad Mount
Outlet: No. 12 Pad Mount
Suction Inlet: No. 8 Pad Mount
Suction Outlet: No. 12 Pad Mount

Part No: 1812016



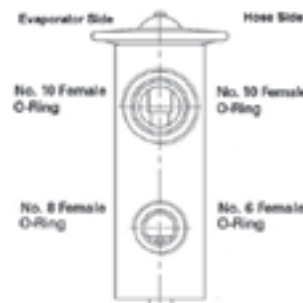
Tonnage: 2 Ton
Inlet: No. 6 Female O-Ring
Outlet: No. 8 Female O-Ring
Suction Inlet: No. 10 Female O-Ring
Suction Outlet: No. 10 Female O-Ring

Part No: 1812019



Tonnage: 2 Ton
Inlet: No. 6 Female O-Ring
Outlet: No. 8 Female O-Ring
Suction Inlet: No. 8 Female O-Ring
Suction Outlet: No. 10 Female O-Ring

Part No: 1812020



Tonnage: 1 1/2 Ton
Inlet: No. 6 Female O-Ring
Outlet: No. 8 Female O-Ring
Suction Inlet: No. 10 Female O-Ring
Suction Outlet: No. 10 Female O-Ring

Part No: 1813007



General Specifications: M6 x 1 Stud
Tonnage: 2 Ton
Inlet: No. 6 Female O-Ring
Outlet: No. 8 Female O-Ring
Suction Inlet: No. 8 Female O-Ring
Suction Outlet: No. 10 Female O-Ring

Part No: 1813012



Tonnage: 2 Ton
Inlet: No. 8 Pad Mount
Outlet: No. 8 Pad Mount
Suction Inlet: No. 10 Pad Mount
Suction Outlet: No. 10 Pad mount

Part No: 1813013



Tonnage: 2 Ton
Inlet: No. 6 Pad mount
Outlet: No. 12 Pad Mount
Suction Inlet: No. 8 Pad Mount
Suction Outlet: No. 10 Pad mount

Part No: 1813014



Tonnage: 1 1/2 Ton
Inlet: No. 6 Pad mount
Outlet: No. 8 Pad Mount
Suction Inlet: No. 10 Pad Mount
Suction Outlet: No. 10 Pad mount

Part No: 1813015



Tonnage: 1 1/2 Ton
Inlet: No. 6 Pad mount
Outlet: No. 8 Pad Mount
Suction Inlet: No. 8 Pad Mount
Suction Outlet: No. 10 Pad mount

Part No: 1813016



General Specifications: M6 x 1 Stud
Tonnage: 2 Ton
Inlet: No. 8 Female O-Ring
Outlet: No. 6 Female O-Ring
Suction Inlet: No. 10 Female O-Ring
Suction Outlet: No. 8 Female O-Ring

EXPANSION VALVES

Block Type Expansion Valves

EXPANSION VALVES

Part No: 1813018



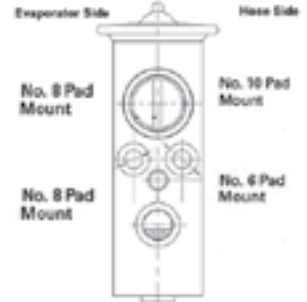
General Specifications: M6 x 1 Stud
Tonnage: 1 1/2 Ton
Inlet: No. 6 Female O-Ring
Outlet: No. 8 Female O-Ring
Suction Inlet: No. 8 Female O-Ring
Suction Outlet: No. 10 Female O-Ring

Part No: 1813019



General Specifications: M6 x 1 Stud
Tonnage: 1 1/2 Ton
Inlet: No. 6 Female O-Ring
Outlet: No. 8 Female O-Ring
Suction Inlet: No. 8 Female O-Ring
Suction Outlet: No. 10 Female O-Ring

Part No: 1813020



Tonnage: 1 1/2 Ton
Inlet: No. 6 Pad Mount
Outlet: No. 8 Pad Mount
Suction Inlet: No. 8 Pad Mount
Suction Outlet: No. 10 Pad Mount

Part No: 1814003



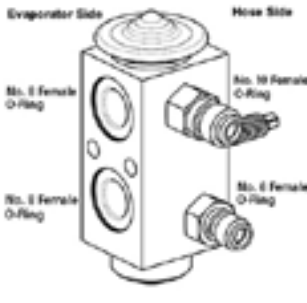
Tonnage: 1 Ton
Inlet: No. 8 Pad Mount
Outlet: No. 8 Pad Mount
Suction Inlet: No. 12 Pad Mount
Suction Outlet: No. 10 Pad Mount

Part No: 1814004



Tonnage: 2 Ton
Inlet: No. 6 Pad Mount
Outlet: No. 12 Pad Mount
Suction Inlet: No. 8 Pad Mount
Suction Outlet: No. 10 Pad Mount

Part No: 1814005



General Specifications: M8 x 1.25 Stud
Tonnage: 2 ton
Inlet: No. 6 Female O-Ring
Outlet: No. 8 Female O-Ring
Suction Inlet: No. 8 Female O-Ring
Suction Outlet: No. 10 Female O-Ring

Part No: 1814006



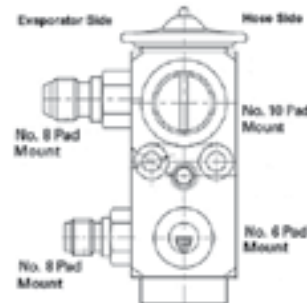
Tonnage: 2 Ton
Inlet: No. 6 Female O-Ring
Outlet: No. 8 Female O-Ring
Suction Inlet: No. 8 Female O-Ring
Suction Outlet: No. 10 Female O-Ring

Part No: 1814007



Tonnage: 1 1/2 Ton
Inlet: No. 6 Female O-Ring
Outlet: No. 8 Female O-Ring
Suction Inlet: No. 8 Female O-Ring
Suction Outlet: No. 10 Female O-Ring

Part No: 1814008



Tonnage: 2 Ton
Inlet: No. 6 Pad Mount
Outlet: No. 8 Pad Mount
Suction Inlet: No. 8 Pad Mount
Suction Outlet: No. 10 Pad Mount

Part No: 1815001



Tonnage: 2 Ton
Inlet: No. 6 Female O-Ring
Outlet: No. 8 Female O-Ring
Suction Inlet: No. 10 Female O-Ring
Suction Outlet: No. 12 Female O-Ring

Part No: 1817001



Tonnage: 2 Ton
Inlet: No 6 Pad Mount
Outlet: No. 8 Pad Mount
Suction Inlet: No. 8 Pad Mount
Suction Outlet: No. 10 Pad Mount

Part No: 1817003



General Specifications: M6 x 1 Stud
Tonnage: 1 1/2 Ton
Inlet: No. 6 Pad Mount
Outlet: No. 8 Pad Mount
Suction Inlet: No. 8 Pad Mount
Suction Outlet: No. 10 Pad Mount

Part No: 1817004



General Specifications: M6 x 1 Stud
Tonnage: 2 Ton
Inlet: No. 6 Pad Mount
Outlet: No. 8 Pad Mount
Suction Inlet: No. 8 Pad Mount
Suction Outlet: No. 10 Pad Mount

Part No: 1817005



Tonnage: 1 1/2 Ton
Inlet: No. 6 Pad mount
Outlet: No. 8 Pad Mount
Suction Inlet: No. 10 Pad Mount
Suction Outlet: No. 12 Pad mount

Part No: 1817007



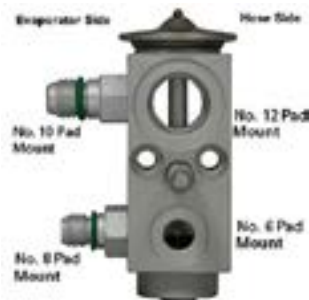
General Specifications: M8 x 1.25 Stud
Tonnage: 1 1/2 Ton
Inlet: No. 6 Pad mount
Outlet: No. 8 Pad Mount
Suction Inlet: No. 10 Pad Mount
Suction Outlet: No. 12 Pad Mount

Part No: 1817008



Tonnage: 2 Ton
Inlet: No. 6 Pad mount
Outlet: No. 8 Pad Mount
Suction Inlet: No. 10 Pad Mount
Suction Outlet: No. 12 Pad Mount

Part No: 1817009



General Specifications: M8 x 1.25 Stud
Tonnage: 2 Ton
Inlet: No. 6 Pad mount
Outlet: No. 8 Pad Mount
Suction Inlet: No. 10 Pad Mount
Suction Outlet: No. 12 Pad Mount

Part No: 1817010

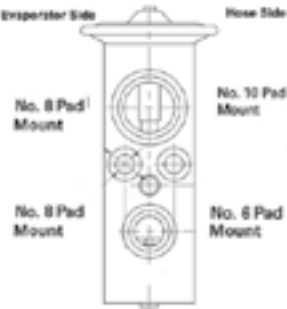


Tonnage: 2 Ton
Inlet: No. 8 Female O-Ring
Outlet: No. 10 Female O-Ring
Suction Inlet: No. 8 Female O-Ring
Suction Outlet: No. 10 Female O-Ring

Block Type Expansion Valves

EXPANSION VALVES

Part No: 1817015



Tonnage: 1 1/2 Ton

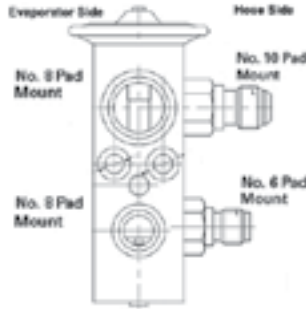
Inlet: No. 6 Pad Mount

Outlet: No. 8 Pad Mount

Suction Inlet: No. 8 Pad Mount

Suction Outlet: No. 10 Pad Mount

Part No: 1817016



Tonnage: 2 Ton

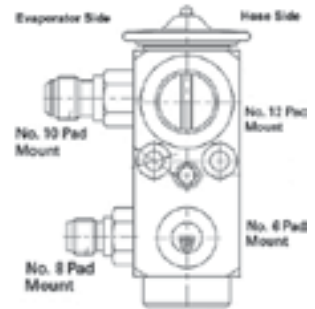
Inlet: No. 6 Pad Mount

Outlet: No. 8 Pad Mount

Suction Inlet: No. 8 Pad Mount

Suction Outlet: No. 10 Pad Mount

Part No: 1817017



Tonnage: 2 Ton

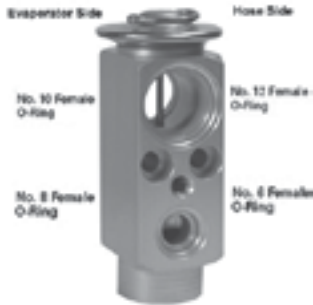
Inlet: No. 6 Pad Mount

Outlet: No. 8 Pad Mount

Suction Inlet: No. 10 Pad Mount

Suction Outlet: No. 12 Pad Mount

Part No: 1818006



Tonnage: 2 Ton

Inlet: No. 6 Female O-Ring

Outlet: No. 8 Female O-Ring

Suction Inlet: No. 10 Female O-Ring

Suction Outlet: No. 12 Female O-Ring

Part No: 1818007



Tonnage: 1 1/2 Ton

Inlet: No. 6 Pad Mount

Outlet: No. 8 Pad Mount

Suction Inlet: No. 10 Pad Mount

Suction Outlet: No. 10 Pad mount

Part No: 1818008



Tonnage: 1 Ton

Inlet: 6 Female O-Ring

Outlet: 8 Female O-Ring

Suction Inlet: 12 Female O-Ring

Suction Outlet: 12 Female O-Ring

Part No: 1818009



Tonnage: 2 Ton

Inlet: No. 6 Female O-Ring

Outlet: No. 8 Female O-Ring

Suction Inlet: No. 10 Female O-Ring

Suction Outlet: No. 10 Female O-Ring

Part No: 1899005



Tonnage: 2 Ton

Inlet: No. 6 Female O-Ring

Outlet: No. 8 Female O-Ring

Suction Inlet: No. 10 Female O-Ring

Suction Outlet: No. 10 Female O-Ring

Part No: 1899031



Tonnage: 2 Ton

Inlet: No. 6 Female O-Ring

Outlet: No. 8 Female O-Ring

Suction Inlet: No. 8 Female O-Ring

Suction Outlet: No. 10 Female O-Ring

Part No: 1899040

Tonnage: 2 1/2 Ton
Inlet: No. 6 Female O-Ring
Outlet: No. 8 Female O-Ring
Suction Inlet: No. 8 Female O-Ring
Suction Outlet: No. 10 Female O-Ring

Part No: 1899041

Tonnage: 2 Ton
Inlet: No. 6 Female O-Ring
Outlet: No. 8 Female O-Ring
Suction Inlet: No. 10 Female O-Ring
Suction Outlet: No. 12 Female O-Ring

Part No: 1899042

Tonnage: 2 Ton
Inlet: No. 6 Female O-Ring
Outlet: No. 8 Female O-Ring
Suction Inlet: No. 10 Female O-Ring
Suction Outlet: No. 10 Female O-Ring

Part No: 1899043

Tonnage: 2 Ton
Inlet: No. 6 Female O-Ring
Outlet: No. 8 Female O-Ring
Suction Inlet: No. 10 Female O-Ring
Suction Outlet: No. 12 Female O-Ring

Part No: 1899044

General Specifications: M6 x 1 Stud
Tonnage: 2 Ton
Inlet: No. 6 Female O-Ring
Outlet: No. 8 Female O-Ring
Suction Inlet: No. 8 Female O-Ring
Suction Outlet: No. 10 Female O-Ring

Part No: 1899046

Tonnage: 1 1/2 Ton
Inlet: No. 6 Female O-Ring
Outlet: No. 8 Female O-Ring
Suction Inlet: No. 8 Female O-Ring
Suction Outlet: No. 10 Female O-Ring

Part No: 1899048

Tonnage: 2 Ton
Inlet: No. 6 Female O-Ring
Outlet: No. 8 Female O-Ring
Suction Inlet: No. 10 Female O-Ring
Suction Outlet: No. 10 Female O-Ring

Part No: 1899050

Tonnage: 2 Ton
Inlet: No. 6 Pad Mount
Outlet: No. 8 Pad Mount
Suction Inlet: No. 8 Pad Mount
Suction Outlet: No. 10 Pad Mount

Part No: 1899051

Tonnage: 1 1/2 Ton
Inlet: No. 6 Pad Mount
Outlet: No. 12 Pad Mount
Suction Inlet: No. 12 Pad Mount
Suction Outlet: No. 12 Pad Mount

Block Type Expansion Valves

EXPANSION VALVES

Part No: 1899052



Tonnage: 2 Ton
Inlet: No. 6 Pad Mount
Outlet: No. 8 Pad Mount
Suction Inlet: No. 10 Pad Mount
Suction Outlet: No. 12 Pad Mount

Part No: 1899053



Tonnage: 2 Ton
Inlet: No. 6 Female O-Ring
Outlet: No. 8 Female O-Ring
Suction Inlet: No. 10 Female O-Ring
Suction Outlet: No. 10 Female O-Ring

Part No: 1899054



Tonnage: 1 1/2 Ton
Inlet: No. 6 Female O-Ring
Outlet: No. 8 Female O-Ring
Suction Inlet: No. 10 Female O-Ring
Suction Outlet: No. 10 Female O-Ring

Part No: 1899055



Tonnage: 1 1/2 Ton
Inlet: No. 6 Female O-Ring
Outlet: No. 12 Female O-Ring
Suction Inlet: No. 12 Female O-Ring
Suction Outlet: No. 12 Female O-Ring

Part No: 1899056



Tonnage: 2 Ton
Inlet: No. 6 Female O-Ring
Outlet: No. 8 Female O-Ring
Suction Inlet: No. 10 Female O-Ring
Suction Outlet: No. 12 Female O-Ring

Part No: 1899057



Tonnage: 2 Ton
Inlet: No. 6 Female O-Ring
Outlet: No. 8 Female O-Ring
Suction Inlet: No. 10 Female O-Ring
Suction Outlet: No. 12 Female O-Ring

Part No: 1899058



Tonnage: 2 Ton
Inlet: No. 6 Female O-Ring
Outlet: No. 8 Female O-Ring
Suction Inlet: No. 8 Female O-Ring
Suction Outlet: No. 10 Female O-Ring

Part No: 1899064



Tonnage: 1 1/2 Ton
Inlet: No. 6 Female O-Ring
Outlet: No. 8 Female O-Ring
Suction Inlet: No. 10 Female O-Ring
Suction Outlet: No. 10 Female O-Ring

Externally Equalized Type Expansion Valves

<p>Part No: 1812017</p> 	<p>Part No: 1812018</p> 	<p>Part No: 1813001</p> 
<p>Tonnage: 1 1/2 Ton</p>	<p>Tonnage: 1 1/2 Ton</p>	<p>Tonnage: 1 1/2 Ton</p>
<p>Inlet: 5/8-18 Male 45° Flare</p>	<p>Inlet: 5/8-18 Male O-Ring</p>	<p>Inlet: No. 6 Male O-Ring</p>
<p>Outlet: 3/4-16 Male 45° Flare</p>	<p>Outlet: 3/4-16 Male O-Ring</p>	<p>Outlet: No. 8 Male O-Ring</p>
<p>Capillary Length: 29 15/16" (760mm)</p>	<p>Capillary Length: 33 1/16" (840mm)</p>	<p>Capillary Length: 33" (838.2mm)</p>
<p>Equalizer Tube Length: 18 3/4" (476mm)</p>	<p>Equalizer Tube Length: 18 3/8" (466mm)</p>	<p>Equalizer Tube Length: 31" (787.4mm)</p>
<p>Nut Size: 7/16-20</p>	<p>Nut Size: 7/16-24</p>	
<p>Part No: 1813017</p> 	<p>Part No: 1814001</p> 	<p>Part No: 1875003</p> 
<p>Tonnage: 1 1/2 Ton</p>	<p>Tonnage: 2 Ton</p>	<p>Tonnage: 2 Ton</p>
<p>Inlet: No. 6 Male O-Ring</p>	<p>Inlet: 5/8-18 Male O-Ring</p>	<p>Inlet: No. 6 Male O-Ring</p>
<p>Outlet: No. 8 Male O-Ring</p>	<p>Outlet: 3/4-16 Male O-Ring</p>	<p>Outlet: No. 8 Male O-Ring</p>
<p>Capillary Length: 17 5/16" (440mm)</p>	<p>Capillary Length: 11 13/16" (300mm)</p>	<p>Capillary Length: 13" (330.2mm)</p>
<p>Equalizer Tube Length: 29 1/2" (750mm)</p>	<p>Equalizer Tube Length: 16 9/16" (421mm)</p>	<p>Equalizer Tube Length: 13" (330.2mm)</p>
<p>Nut Size: 7/16"-20 Female O-Ring</p>	<p>Nut Size: 7/16-20</p>	<p>Nut Size: 7/16"-20</p>
<p>Part No: 1899008</p> 	<p>Part No: 1899009</p> 	<p>Part No: 1899026</p> 
<p>Tonnage: 1 1/2 Ton</p>	<p>Tonnage: 2 Ton</p>	<p>Tonnage: 1 1/2 Ton</p>
<p>Inlet: No. 6 Male 45° Flare</p>	<p>Inlet: 3/8 Male O-Ring</p>	<p>Inlet: No. 6 Male O-Ring</p>
<p>Outlet: No. 8 Male 45° Flare</p>	<p>Outlet: 5/8 Male O-Ring</p>	<p>Outlet: No. 8 Male O-Ring</p>
<p>Capillary Length: 18" (457.2mm)</p>	<p>Capillary Length: 13" (330.2mm)</p>	<p>Capillary Length: 33" (838.2mm)</p>
<p>Equalizer Tube Length: 18" (457.2mm)</p>	<p>Equalizer Tube Length: 14" (355.6mm)</p>	<p>Equalizer Tube Length: 33" (838.2mm)</p>
	<p>Nut Size: 7/16-20 UNF</p>	

EXPANSION VALVES

Externally Equalized Expansion Valves

EXPANSION VALVES

Part No: 1899045



Tonnage: 1 1/2 Ton
 Inlet: 3/8 Male O-Ring
 Outlet: 5/8 Male O-Ring
 Capillary Length: 11 5/8" (295mm)
 Equalizer Tube Length: 11 13/16" (300mm)
 Nut Size: 7/16-24 UNF

Part No: 1899049



Tonnage: 1 1/2 Ton
 Inlet: 3/8 Male O-Ring
 Outlet: 1/2 Male O-Ring
 Capillary Length: 8" (203mm)
 Equalizer Tube Length: 9 13/16" (250mm)
 Nut Size: 7/16-20 UNF

Part No: 1899062



Tonnage: 2 Ton
 Inlet: 5/8-18 Male O-Ring
 Outlet: 3/4-16 Male O-Ring
 Capillary Length: 15 3/16" (385mm)
 Equalizer Tube Length: 16 3/16" (411mm)
 Nut Size: 7/16-20

Part No: 1899063



Tonnage: 1 1/2 Ton
 Inlet: 5/8-18 Male O-Ring
 Outlet: 3/4-16 Male O-Ring
 Capillary Length: 19 5/16" (490mm)
 Equalizer Tube Length: 16 3/8" (416mm)
 Nut Size: 7/16-20

Part No: 1899065





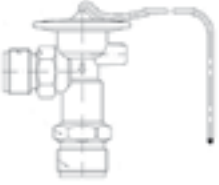

Tonnage: 2 Ton
 Inlet: 5/8-18 Male O-Ring
 Outlet: 3/4-16 Male O-Ring
 Capillary Length: 11 13/16" (300mm)
 Equalizer Tube Length: 16 9/16" (421mm)
 Nut Size: 7/16-20

Part No: 1899066



Tonnage: 1 1/2 Ton
 Inlet: 5/8-18 Male O-Ring
 Outlet: 3/4-16 Male O-Ring
 Capillary Length: 35 7/8" (911mm)
 Equalizer Tube Length: 33 7/8" (861mm)
 Nut Size: 7/16-24

Internally Equalized Type Expansion Valves

<p>Part No: 1813002</p> 	<p>Part No: 1817011</p> 	<p>Part No: 1817018</p> 
<p>Tonnage: 1 1/2 Ton</p>	<p>Tonnage: 1 1/2 Ton</p>	<p>Tonnage: 2 Ton</p>
<p>Inlet: No. 6 Male Flare</p>	<p>Inlet: M16 x 1.5 Male O-Ring</p>	<p>Inlet: M18 x 1.5 Male O-Ring</p>
<p>Outlet: No. 8 Male Flare</p>	<p>Outlet: M20 x 1.5 Male O-Ring</p>	<p>Outlet: M20 x 1.5 Male O-Ring</p>
<p>Capillary Length: 12" (304.8mm)</p>	<p>Capillary Length: 16 1/8" (410mm)</p>	<p>Capillary Length: 16 1/2" (420mm)</p>
<p>Part No: 1899047</p> 		
<p>Tonnage: 2 Ton</p>		
<p>Inlet: 3/8" Male O-Ring</p>		
<p>Outlet: 1/2" Male O-Ring</p>		
<p>Capillary Length: 12 3/16" (310mm)</p>		

Cycling Clutch Orifice Tube (CCOT)

EXPANSION VALVES

Part No: 1810002



General Specifications: Black & White Orifice Tube w/Black Neoprene, O-Rings (R-12 & R-134a)

Part No: 1810003



General Specifications: White Orifice Tube w/Black Neoprene, O-Rings (R-12 & R-134a)

Part No: 1811001



General Specifications: Blue Orifice Tube w/Green HNBR, O-Rings (R-12 & R-134a)

Part No: 1813008



General Specifications: Purple Orifice Tube w/Green HNBR, O-Rings (R-12 & R-134a)

Part No: 1899002



General Specifications: Orange Orifice Tube w/Green HNBR, O-Rings (R-12 & R-134a)

Part No: 1899003



General Specifications: Red Orifice Tube

Part No: 1899013



General Specifications: Standard Duty Condenser Coil-Mounted, Smart Valve

Part No: 1899014



General Specifications: Standard Duty Condenser Coil-Mounted, Smart Valve

Part No: 1899015



General Specifications: HNBR O-Ring (R-12 & R-134a)

Part No: 1899021



General Specifications: Brown Orifice Tube w/Green HNBR, O-Rings (R-134a)

Part No: 1899022



General Specifications: Kit Includes 5 of each Part #: 1810003, 1811001, 1899003, 1899002, 1899021 & 1810002

Service Tips

The expansion valve acts as a refrigerant metering device that creates a temperature/pressure drop. This device also divides the system into two zones; high-pressure and low-pressure.

Expansion Valve Service Tips

Block Valve Failure	The most common block valve failure is due to the loss of gas pressure inside the Power Head.
Plugged Expansion Valve	Plugged expansion valves cannot be flushed out, they must be replaced.
Capillary Tube	Verify the capillary tube is properly attached and insulated.
Externally Equalized Tube	Replace in the same place as the old tube.
Refrigerant Check	Ensure that refrigerant is flowing to the expansion valve prior to removing.
Tip	Expansion valve is normally replaced when the compressor is replaced.



Capillary Tube Design



Block Design

Notes

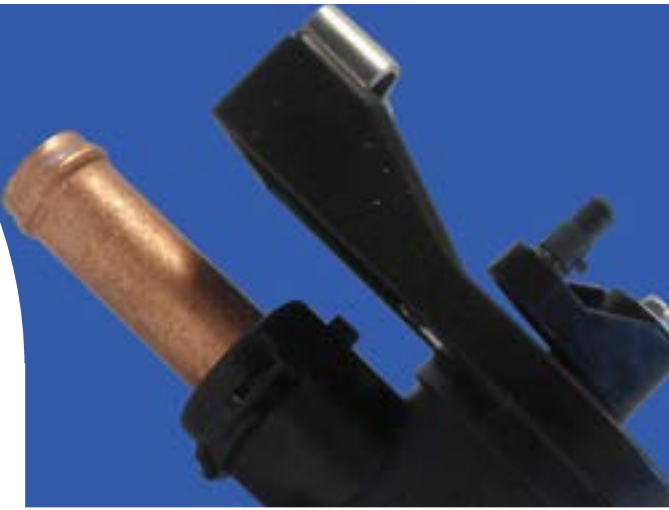
Horizontal lines for taking notes.





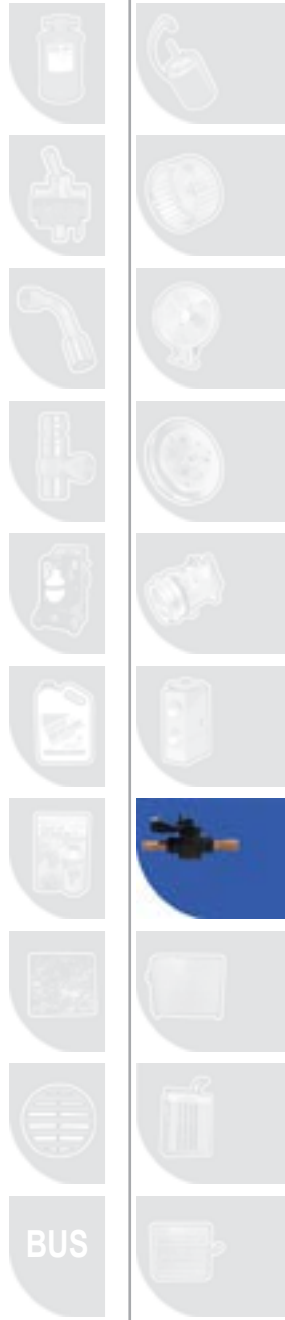
KYSOR
by Bergstrom

*Air Conditioning & Heating
Replacement Parts*



Water Valves

Water Valve Specifications	328
Cable-Controlled Water Valves	328
Electronic Water Valves	328
Knob-Operated Water Valves	328
Manual Heater Shutoff Valves	328
Air-Operated Water Valves ‡	329
Water Valves	330
Air-Operated Water Valves	330
Cable-Controlled Water Valves	330
Electronic Water Valves	334
Knob-Operated Water Valves	337
Manual Heater Shutoff Water Valves	337
Heater Fittings	339
Actuators	341
Control Cables & Assemblies	343
Control Knobs	344
Control Kits & Modules	348
Control Assemblies & Panels	348



Availability of the products shown in this catalog is subject to change without notice by Bergstrom, Inc. For the most current product information please visit the Kysor distributor website at <https://parts.kysorhvac.com/>.

Water Valve Specifications

Heater Hose Connection	Rotation	Part No
------------------------	----------	---------

Cable-Controlled Water Valves

5/8" x 5/8"	Pull to Open	2411004
5/8" x 5/8"	Pull to Close	2411005
5/8" x 5/8"	Pull to Open	2412007
5/8" x 5/8"	Pull to Open	2412015
5/8" Hose 90° Elbow to 5/8" Hose	Pull to Close	2413003
5/8" x 5/8"	Pull to Open	2414007
5/8" Hose to 5/8"	Pull to Open	2414008
5/8" x 5/8" 90° Elbow	Pull to Open	2414011
5/8" x 5/8"	Pull to Open	2475002
5/8" x 5/8" Automotive Type In-Line	Pull to Open	2475005
5/8" x 5/8"	Pull to Open	2475006
5/8" x 5/8" 90° Elbow	Pull to Open	2475010
5/8" x 5/8"	Pull to Open	2499006
5/8" x 5/8"	Counterclockwise to Open	2499093
5/8" x 5/8"	Pull to Open with mounting bracket	2499097
5/8" x 5/8"	Counterclockwise to Open	2499105
5/8" x 5/8"	Pull to Open	2499107
5/8" x 5/8"	Pull to Close	2499108
5/8" x 5/8"	Pull to Open	2499116
5/8" x 5/8"	Pull to Close	2499119
5/8" x 5/8" 90° Elbow	Pull to Open	2499120
5/8" Hose to 5/8" Hose to 90° Elbow	Pull to Open	2499121
5/8" x 5/8"	Pull to Open	2499123
5/8" x 5/8"	Pull to Open	2499124
5/8" x 5/8"	Pull to Open	2499128
5/8" x 5/8"	Pull to Open	2499129
5/8" Hose to Core Mount	Pull to Open	2499109
5/8" Heater Hose Connection	Pull to Close	2499153
5/8" x 3/4"	Pull to Open	2499013
5/8" x 3/4"	Pull to Close	2499098
5/8" x 3/4"	Pull to Open	2499111
5/8" x 3/4"	Pull to Close	2499112
5/8" x 3/4"	Pull to Open	2499113
1/2" NPT to 1/2" Hose	Pull to Close	2413004
1" x 5/8"	Pull to Open	2499078
1" x 5/8" 90° Elbow	Pull to Close	2499085
1" x 5/8"	Pull to Open	2499096
1" x 5/8"	Pull to Open	2499114
1" x 5/8"	Pull to Open	2499127
1" x 1"	Pull to Open	2499021
1" x 1"	Pull to Open	2499125
1" x 1"	Pull to Open	2499137
1" x 1"	0	2499142
1" Heater Hose Connection	Pull to Close	2499154

Heater Hose Connection	Rotation	Part No
------------------------	----------	---------

Service Assembly	Pull to Close	2499155
------------------	---------------	----------------

Electronic Water Valves

5/8" x 5/8"	Electronic	2499156
5/8" x 5/8"	Electronic	2499157
3/4" x 3/4"		2412005
5/8" x 5/8"	Counterclockwise to Open	2414010
5/8" x 5/8"	Counterclockwise to Open	2499102
5/8" x 5/8"	Counterclockwise to Open	2499110
5/8" x 5/8"	Clockwise to Open	2499115
5/8" x 5/8"	Clockwise to Open	2499117
5/8" x 5/8"	Clockwise to Open	2499146
5/8" x 5/8"	Counterclockwise to Open	3499011
5/8" x 5/8"	Clockwise to Open	2499126
5/8" x 5/8"	Counterclockwise to Open	2499131
5/8" x 5/8" 90° Elbow	Counterclockwise to Open	2414012
5/8" Heater Hose Connection	Pull to Close	2499100
5/8" Heater Hose Connection	Clockwise to Open	2499101
5/8" Heater Hose Connection	Clockwise to Open	2499118
5/8" x Core Mount	Counterclockwise to Open	2499140
5/8" x 1"	Counterclockwise to Open	2499075
5/8" x 1"	Clockwise to Open	2499087
5/8" x 1"	Counterclockwise to Open	2499091
1" x 1"	Clockwise to Open	2499134
1" x 1"	Clockwise to Open	2499130
1" x 1"	Counterclockwise to Open	2499132
1" x 1"	Counterclockwise to Open	2499133
1" x 1"	Clockwise to Open	2499134
1" x 1"	Clockwise to Open	2499150
1" Heater Hose Connection	Counterclockwise to Open	2499141
Electronic, 12V		2412010
Water Valve Ball Kit		2499081

Knob-Operated Water Valves

5/8" x 5/8" Automotive Type In-Line		2499031
5/8" x 5/8"	Clockwise to Open	2499099

Manual Heater Shutoff Valves

3/8" Female NPT to 3/8" NPT	Manual heater shut off (Gate Type)	2411001
3/8" x 3/8" NPT	Gate Type	2499039
3/8"-18 NPT x 5/8" Hose	By Hand	2499040

Heater Hose Connection	Rotation	Part No
3/8" Female NPT to 1/2" NPT	By Hand	2499043
3/8" Hose x 3/8" Male Pipe	Manual heater shut off (Gate Type)	2499044
5/8" x 5/8"	Manual heater shut off (T-Handle Type)	2411003
5/8" Hose x 3/8" Male Pipe	Manual heater shut off (Gate Type)	2411007
5/8" Hose to 1/2" Male Pipe	Manual heater shut off (Gate Type)	2413005
5/8" x 5/8"	Ball Type	2499104
5/8" x 5/8"	Gate Type	2499144
5/8" x 5/8"	Ball Type	2499149
5/8" x 5/8"	Ball Type	2499152
1/2" Hose x 1/2" Male Pipe	By Hand	2499041
3/4" Hose to 1/2" Male Pipe	Manual heater shut off (Gate Type)	2413006
3/4" x 3/4"	Manual heater shut off (T-Handle Type)	2499045
3/4" NPT x 3/4" NPT	Gate Type	2499068
3/4" NPT x 3/4" NPT	Gate Type	2499069
3/4" NPT x 3/4" NPT	Gate Type	2499145
1" x 1"	Ball Type	2499048
1" x 1"	Ball Type	2499148
1" x 1"	Ball Type	2499151

Air-Operated Water Valves ‡

5/8" x 5/8"	Air-Operated	2499002
5/8" x 5/8"	Pull to Close	2499003
5/8" x 5/8"	Air-Operated	2499005
5/8" Hose to 3/4" Hose	Air-Operated	2499038
3/4" x 3/4"	Air-Operated	2412013

* Loosen set screws to rotate 90° elbow if different position is necessary.

‡ Air operated water valves require 80 to 120 psi of air to operate. Air supply threads are 1/8"-27 NPT.



Water Valves

Air-Operated Water Valves

Part No: 2412013



Rotation: Air-Operated

Heater Hose Connection: 3/4" x 3/4"

Part No: 2499002



Rotation: Air-Operated

Heater Hose Connection: 5/8" x 5/8"

Part No: 2499003



Rotation: Pull to Close

Heater Hose Connection: 5/8" x 5/8"

Part No: 2499005



Rotation: Air-Operated

Heater Hose Connection: 5/8" x 5/8"

Part No: 2499038



Rotation: Air-Operated

Heater Hose Connection: 5/8" Hose to 3/4" Hose

WATER VALVES

Cable-Controlled Water Valves

Part No: 2411004



Rotation: Pull to Open

Heater Hose Connection: 5/8" x 5/8"

Part No: 2411005



Rotation: Pull to Close

Heater Hose Connection: 5/8" x 5/8"

Part No: 2412007



Rotation: Pull to Open

Heater Hose Connection: 5/8" x 5/8"

Part No: 2412015



Rotation: Pull to Open

Heater Hose Connection: 5/8" x 5/8"

Flow: Bidirectional

Part No: 2413003



Rotation: Pull to Close

Heater Hose Connection: 5/8" Hose 90° Elbow to 5/8" Hose

Part No: 2413004



Rotation: Pull to Close

Heater Hose Connection: 1/2" NPT to 1/2" Hose

Part No: 2414007



Rotation: Pull to Open

Heater Hose Connection: 5/8" x 5/8"

Part No: 2414008



Rotation: Pull to Open

Heater Hose Connection: 5/8" Hose to 5/8"

Flow: Bidirectional

Part No: 2414011



Rotation: Pull to Open

Heater Hose Connection: 5/8" x 5/8" 90° Elbow

Part No: 2475002



Rotation: Pull to Open

Heater Hose Connection: 5/8" x 5/8"

Part No: 2475005



Rotation: Pull to Open

Heater Hose Connection: 5/8" x 5/8" Automotive Type In-Line

Part No: 2475006



Rotation: Pull to Open

Heater Hose Connection: 5/8" x 5/8"

Part No: 2475010



Rotation: Pull to Open

Heater Hose Connection: 5/8" x 5/8" 90° Elbow

Part No: 2499006



Rotation: Pull to Open

Heater Hose Connection: 5/8" x 5/8"

Part No: 2499013



Rotation: Pull to Open

Heater Hose Connection: 5/8" x 3/4"



Water Valves

WATER VALVES

Part No: 2499021



Rotation: Pull to Open

Heater Hose Connection: 1" x 1"

Part No: 2499078



Rotation: Pull to Open

Heater Hose Connection: 1" x 5/8"

Part No: 2499085



Rotation: Pull to Close

Heater Hose Connection: 1" x 5/8" 90° Elbow

Part No: 2499093



Rotation: Counterclockwise to Open

Heater Hose Connection: 5/8" x 5/8"

Part No: 2499096



Rotation: Pull to Open

Heater Hose Connection: 1" x 5/8"

Part No: 2499097



Rotation: Pull to Open with mounting bracket

Heater Hose Connection: 5/8" x 5/8"

Flow: Bidirectional

Part No: 2499098



Rotation: Pull to Close

Heater Hose Connection: 5/8" x 3/4"

Flow: Bidirectional

Part No: 2499105



Rotation: Counterclockwise to Open

Heater Hose Connection: 5/8" x 5/8"

Part No: 2499107



Rotation: Pull to Open

Heater Hose Connection: 5/8" x 5/8"

Flow: Bidirectional

Part No: 2499108



Rotation: Pull to Close

Heater Hose Connection: 5/8" x 5/8"

Flow: Bidirectional

Part No: 2499109



Rotation: Pull to Open

Heater Hose Connection: 5/8" Hose to Core Mount

Flow: Bidirectional

Part No: 2499111



Rotation: Pull to Open

Heater Hose Connection: 5/8" x 3/4"

Flow: Bidirectional

Part No: 2499112



Rotation: Pull to Close

Heater Hose Connection: 5/8" x 3/4"

Part No: 2499113



Rotation: Pull to Open

Heater Hose Connection: 5/8" x 3/4"

Flow: Bidirectional

Part No: 2499114



Rotation: Pull to Open

Heater Hose Connection: 1" x 5/8"

Flow: Bidirectional

Part No: 2499116



Rotation: Pull to Open

Heater Hose Connection: 5/8" x 5/8"

Flow: Bidirectional

Part No: 2499119



Rotation: Pull to Close

Heater Hose Connection: 5/8" x 5/8"

Flow: Bidirectional

Part No: 2499120



Rotation: Pull to Open

Heater Hose Connection: 5/8" x 5/8" 90° Elbow

Flow: Bidirectional

Part No: 2499121



Rotation: Pull to Open

Heater Hose Connection: 5/8" Hose to 5/8" Hose to 90° Elbow

Flow: Bidirectional

Part No: 2499123



Rotation: Pull to Open

Heater Hose Connection: 5/8" x 5/8"

Flow: Bidirectional

Part No: 2499124



Rotation: Pull to Open

Heater Hose Connection: 5/8" x 5/8"

Flow: Bidirectional

Part No: 2499125



Rotation: Pull to Open

Heater Hose Connection: 1" x 1"

Flow: Bidirectional

Part No: 2499127



Rotation: Pull to Open

Heater Hose Connection: 1" x 5/8"

Flow: Bidirectional

Part No: 2499128



Rotation: Pull to Open

Heater Hose Connection: 5/8" x 5/8"

Flow: Bidirectional



Water Valves

Part No: 2499129



Rotation: Pull to Open

Heater Hose Connection: 5/8" x 5/8"

Flow: Bidirectional

Part No: 2499137



Rotation: Pull to Open

Heater Hose Connection: 1" x 1"

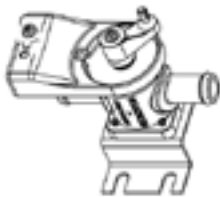
Flow: Bidirectional

Part No: 2499142



Heater Hose Connection: 1" x 1"

Part No: 2499153



Rotation: Pull to Close

Heater Hose Connection: 5/8" Heater Hose Connection

Part No: 2499154



Rotation: Pull to Close

Heater Hose Connection: 1" Heater Hose Connection

Part No: 2499155



Rotation: Pull to Close

Heater Hose Connection: Service Assembly

WATER VALVES

Electronic Water Valves

Part No: 2412010



Heater Hose Connection: Electronic

Part No: 2414010



Rotation: Counterclockwise to Open

Heater Hose Connection: 5/8" x 5/8"

Flow: Bidirectional

Part No: 2414012



Rotation: Counterclockwise to Open

Heater Hose Connection: 5/8" x 5/8" 90° Elbow

Part No: 2499075



Rotation: Counterclockwise to Open

Heater Hose Connection: 5/8" x 1"

Part No: 2499081



Heater Hose Connection: Water Valve Ball Kit

Part No: 2499087



Rotation: Clockwise to Open

Heater Hose Connection: 5/8" x 1"

Flow: Bidirectional

Part No: 2499088

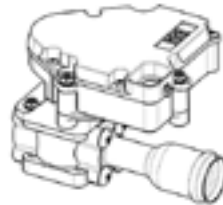


Rotation: Clockwise to Open

Heater Hose Connection: 1" x 1"

Flow: Bidirectional

Part No: 2499091



Rotation: Counterclockwise to Open

Heater Hose Connection: 5/8" x 1"

Part No: 2499100

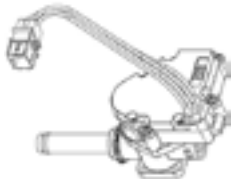


Rotation: Pull to Close

Heater Hose Connection: 5/8" Heater Hose Connection

Flow: Bidirectional

Part No: 2499101



Rotation: Clockwise to Open

Heater Hose Connection: 5/8" Heater Hose Connection

Flow: Bidirectional

Part No: 2499102



Rotation: Counterclockwise to Open

Heater Hose Connection: 5/8" x 5/8"

Flow: Bidirectional

Part No: 2499110



Rotation: Counterclockwise to Open

Heater Hose Connection: 5/8" x 5/8"

Flow: Bidirectional

Part No: 2499115



Rotation: Clockwise to Open

Heater Hose Connection: 5/8" x 5/8"

Flow: Bidirectional

Part No: 2499117



Rotation: Clockwise to Open

Heater Hose Connection: 5/8" x 5/8"

Flow: Bidirectional

Part No: 2499118



Rotation: Clockwise to Open

Heater Hose Connection: 5/8" Heater Hose Connection

Flow: Bidirectional



Water Valves

WATER VALVES

Part No: 2499126



Rotation: Clockwise to Open

Heater Hose Connection: 5/8" x 5/8"

Flow: Bidirectional

Part No: 2499130



Rotation: Clockwise to Open

Heater Hose Connection: 1" x 1"

Flow: Bidirectional

Part No: 2499131



Rotation: Counterclockwise to Open

Heater Hose Connection: 5/8" x 5/8"

Flow: Bidirectional

Part No: 2499132



Rotation: Counterclockwise to Open

Heater Hose Connection: 1" x 1"

Part No: 2499133



Rotation: Counterclockwise to Open

Heater Hose Connection: 1" x 1"

Flow: Bidirectional

Part No: 2499134



Rotation: Clockwise to Open

Heater Hose Connection: 1" x 1"

Flow: Bidirectional

Part No: 2499140



Rotation: Counterclockwise to Open

Heater Hose Connection: 5/8" x Core Mount

Part No: 2499141



Rotation: Counterclockwise to Open

Heater Hose Connection: 1" Heater Hose Connection

Part No: 2499146



Rotation: Clockwise to Open

Heater Hose Connection: 5/8" x 5/8"

Part No: 2499150



Rotation: Clockwise to Open

Heater Hose Connection: 1" x 1"

Part No: 2499156



Rotation: Electronic

Heater Hose Connection: 5/8" x 5/8"

Part No: 2499157

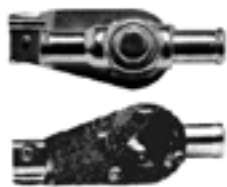


Rotation: Electronic

Heater Hose Connection: 5/8" x 5/8"

Knob-Operated Water Valves

Part No: 2499031



Heater Hose Connection: 5/8" x 5/8" Automotive Type In-Line

Part No: 2499099



Rotation: Clockwise to Open

Heater Hose Connection: 5/8" x 5/8"

Flow: Bidirectional

Manual Heater Shutoff Water Valves

Part No: 2411001



Rotation: Manual heater shut off (Gate Type)

Heater Hose Connection: 3/8" Female NPT to 3/8" NPT

Part No: 2411003



Rotation: Manual heater shut off (T-Handle Type)

Heater Hose Connection: 5/8" x 5/8"

Part No: 2411007



Rotation: Manual heater shut off (Gate Type)

Heater Hose Connection: 5/8" Hose x 3/8" Male Pipe

Part No: 2413005



Rotation: Manual heater shut off (Gate Type)

Heater Hose Connection: 5/8" Hose to 1/2" Male Pipe

Part No: 2413006



Rotation: Manual heater shut off (Gate Type)

Heater Hose Connection: 3/4" Hose to 1/2" Male Pipe

Part No: 2499039



Rotation: Gate Type

Heater Hose Connection: 3/8" x 3/8" NPT



Water Valves

WATER VALVES

Part No: 2499040



Rotation: Truck Type

Heater Hose Connection: 3/8"-18 NPT x 5/8" Hose

Part No: 2499041



Rotation: Truck Type

Heater Hose Connection: 1/2" Hose x 1/2" Male Pipe

Part No: 2499043



Rotation: Truck Type

Heater Hose Connection: 3/8" Female NPT to 1/2" NPT

Part No: 2499044



Rotation: Manual heater shut off (Gate Type)

Heater Hose Connection: 3/8" Hose x 3/8" Male Pipe

Part No: 2499045



Rotation: Manual heater shut off (T-Handle Type)

Heater Hose Connection: 3/4" x 3/4"

Part No: 2499048



Rotation: Ball Type

Heater Hose Connection: 1" x 1"

Part No: 2499068



Rotation: Gate Type

Heater Hose Connection: 3/4" NPT x 3/4" NPT

Part No: 2499069



Rotation: Gate Type

Heater Hose Connection: 3/4" NPT x 3/4" NPT

Part No: 2499104



Rotation: Ball Type

Heater Hose Connection: 5/8" x 5/8"

Part No: 2499144



Rotation: Gate Type

Heater Hose Connection: 5/8" x 5/8"

Part No: 2499145



Rotation: Gate Type

Heater Hose Connection: 3/4" NPT x 3/4" NPT

Part No: 2499148



Rotation: Ball Type

Heater Hose Connection: 1" x 1"

Part No: 2499149



Rotation: Ball Type

Heater Hose Connection: 5/8" x 5/8"

Part No: 2499151



Rotation: Ball Type

Heater Hose Connection: 1" x 1"

Part No: 2499152



Rotation: Ball Type

Heater Hose Connection: 5/8" x 5/8"

Heater Fittings

Part No: 2499050



Heater Hose Connection: 5/8" Heater Hose Splice

Part No: 2499052



Heater Hose Connection: 3/4" Heater Hose Splice

Part No: 2499053



Heater Hose Connection: 5/8" to 3/4" Heater Hose Adapter

Part No: 2640701



Length: 4 1/2" (114.3mm)

Heater Hose Connection: 5/8" Heater Hose Connection

Part No: 2640702



Length: 4 1/2" (4.5mm)

Heater Hose Connection: 3/4" Heater Hose Connection

Part No: 2640703



Length: 3 1/8" (3.12mm)

Heater Hose Connection: 5/8" x 3/4"



Heater Fittings

Part No: 2640704



Length: 10" (254mm)

Heater Hose Connection: 1" x 1" Heater Hose Splice
10" in Length

Part No: 2640705



Heater Hose Connection: 5/8" Hose Bulkhead for
S-Line Trucks

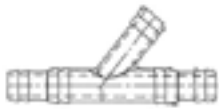
Part No: 2640772



Length: 2 1/2" (63.5mm)

Heater Hose Connection: 5/8" Heater Hose T Splice

Part No: 2640774



Heater Hose Connection: 5/8" Y Splicer

Part No: 2640792



Heater Hose Connection: 5/8" x 5/8" 90° Elbow

Part No: 2640794



Heater Hose Connection: 43/64" x 39/64"

Part No: 2640795



Heater Hose Connection: 1" Hose x 3/4 NPT

Part No: 2640796



Length: 2 51/64" (71mm)

Heater Hose Connection: 5/8" x 1"

Part No: 2640797



Length: 1 19/32" (40.6mm)

Heater Hose Connection: 5/8" Straight Fitting

Part No: 2113005



General Specifications: Actuator

Voltage: 12V

Mating Connector: Packard 12052848

Part No: 2113007



General Specifications: 217 Degree CCW Actuator

Voltage: 12V

Mating Connector: Packard 12052848

Part No: 2113009



General Specifications: Actuator

Voltage: 12V

Mating Connector: Packard 12052848

Part No: 2113010



General Specifications: Actuator

Voltage: 12V

Mating Connector: Packard 12052848

Part No: 2113015



General Specifications: Actuator

Voltage: 12V

Mating Connector: Packard 12040953

Part No: 2113016



General Specifications: Pulse Count Motor Actuator

Voltage: 12V

Mating Connector: Packard 153000027

Part No: 2115003



General Specifications: 126 Degree CW Actuator

Voltage: 12V

Mating Connector: Packard 12040953

Part No: 2117005



General Specifications: 126 Degree CCW Actuator

Voltage: 12V

Mating Connector: Packard 12040953

Part No: 2117006



General Specifications: Actuator

Voltage: 12V

Mating Connector: Packard 12040953

Part No: 2118004



General Specifications: 120 Degree CCW Actuator

Voltage: 12V

Mating Connector: Packard 12040953

Part No: 2118005



General Specifications: Actuator, Vacuum

Voltage: 12V

Part No: 2199012



General Specifications: Manual Actuator

Voltage: 12V



Actuators

WATER VALVES

Part No: 2199066



General Specifications: 104 Degree CW Actuator
 Voltage: 12V
 Mating Connector: Packard 12040953

Part No: 2199067



General Specifications: Sealed Hi-Temp w/Pot CW Actuator
 Voltage: 12V
 Mating Connector: Packard 12052848

Part No: 2199069



General Specifications: 120 Degree CCW Electrical Door Actuator Kit
 Voltage: 12V
 Mating Connector: Packard 12040953

Part No: 2199072



General Specifications: 126 Degree CCW Sealed Actuator
 Voltage: 12V
 Mating Connector: Packard 12052848

Part No: 2199073



General Specifications: 140 Degree Actuator
 Voltage: 12V
 Mating Connector: Packard 12040953

Part No: 2417002



General Specifications: 140 Degree Actuator
 Voltage: 12V
 Mating Connector: Packard 12040953

Part No: 2417003



General Specifications: 140 Degree Actuator
 Voltage: 12V
 Mating Connector: Packard 12040953

Old Climatech	Peterbilt	International	Volvo	Mack	Freightliner	Kenworth	Bluebird	Part No
SR20000042		3542575C2						2113005
SR20000037		3524465C1			BSM 650625			2113007
MA1725		ZGG717056			BOA 91594			2113009
MA1730		ZGG717057			VCC 32000022			2113010
		3599602C1						2113015
MA1705		2503207C1		7787-651261		651261		2115003
SR20000071		ZGG717002	176279	7787-651259	BSM 328020			2117005
MB0200-01S	P93CAB0200-01S	ZGG717063						2117006
5X012834	5X012834	3685800C1				5X012834	00090191	2118004
MA0200-01S	P93CAA0200-01S	ZGG717061						2199066
SR2000045				BSM651291	BSM651291			2199067
								2199072
							00015310	2199073

Control Cables



Control Cable End Configurations:



Cable Length	End 1	End 2	Part No
39" (990.6mm)	A	A	2599017
32 1/4" (819.2mm)	A	B	2599056
40" (1016mm)	A	C	2512003
36" (914.4mm)	A	C	2599020
31" (787.4)	A	Straight	2599016
26" (660.4mm)	C	B	2599069
61 3/4" (1568.5mm)	C	B	2599073
17" (431.8mm)	C	B	2599089
17" (431.8mm)	C	C	2599005
12" (304.8mm)	C	C	2599006
96 13/16" (2459mm)	C	C	2599007
27 13/16" (706.4mm)	C	C	2599009
60" (1524mm)	C	C	2599011
36" (914.4mm)	C	C	2599012
48" (1219.2mm)	C	C	2599015
83 1/2" (2120.9mm)	C	C	2599018
70" (1778mm)	C	C	2599045
52" (1320.8mm)	C	C	2599046
50" (1270mm)	C	C	2599057
64" (1625.6mm)	C	C	2599059
64" (1625.6mm)	C	C	2599060
65" (1651mm)	C	C	2599061
75" (1905mm)	C	C	2599062
65" (1651mm)	C	C	2599063

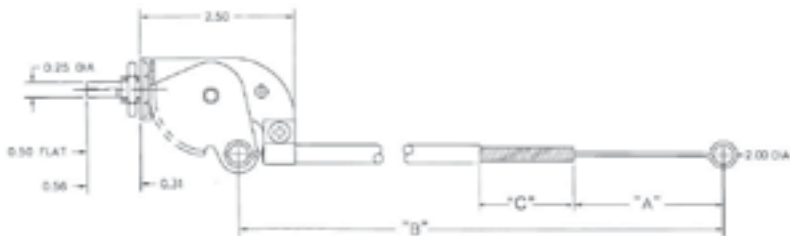
Cable Length	End 1	End 2	Part No
44 1/2" (1130.3mm)	C	C	2599064
43" (1092.2mm)	C	C	2599071
46" (1168.4mm)	C	C	2599072
76" (1930.4mm)	C	C	2599075
59" (1498.6mm)	C	C	2599076
72 3/4" (1847.9mm)	C	C	2599079
52 3/4" (1339.9mm)	C	C	2599080
18 5/8" (473.1mm)	C	C	2599087
10 1/2" (267mm)	C	C	2599088
25" (635mm)	C	C	2599091
40" (1016mm)	C	Detent	2199064
50" (1270mm)	C	Detent	2199065
15" (394mm)	C	Detent	2199097
32" (813mm)	C	Detent	2199098
35" (889mm)	C	Detent	2199099
41 1/2" (1054.1mm)	C	Detent	2599002
12" (304.8mm)	C	Detent	2599004
40" (1016mm)	C	Detent	2599052
30 11/16" (779.8mm)	C	Detent	2599053
21 11/16" (551.2mm)	C	Detent	2599068
42" (1066.8mm)	C	Detent	2599077
42" (1067mm)	C	Detent	3899024
43" (1092.2)	C	Straight	2514003

Control Assemblies



2175005 Shown

Cable Length. (B)	Metal Length. (A)	Spring Length (C)	Part No
36" (914.4mm)	34 1/2" (876.3mm)		2175005
40" (1016mm)	38 1/2" (978mm)	1 1/2" (38.1mm)	2575001
35 7/8" (911.9mm)			2575021
40" (1016mm)	37 1/2" (952mm)	1 1/2" (38.1mm)	2599066
58" (1473.2mm)	56 1/2" (1435.1mm)	1 1/2" (38.1mm)	2599067
45" (1143mm)	35 7/8" (912mm)		3899008



Part No: 2599092



Length: 2 7/16" (61.5mm)
 Width: 1 3/16" (31mm)
 Fitting Thread Size:
 7/16-28 UNF-2A



Control Knobs

Part No: 2575002

Height: 15/16" (23.8125mm)

Diameter: 7/8" (22.225mm)

Type: Pull Knob

Fitting Thread Size: No. 10-32 thread

Package Quantity: 1

Part No: 2575003

Height: 11/16" (17.4625mm)

Diameter: 1" (25.4mm)

Shaft Diameter: 1/4" (6.35mm)

Type: Set Screw

Package Quantity: must order in increments of 5

Part No: 2575004

Height: 5/8" (15.875mm)

Diameter: 1 1/4" (31.75mm)

Shaft Diameter: 1/4" (6.35mm)

Material: Plastic

Type: Set Screw

Fitting Thread Size: No. 8-32 thread

Package Quantity: must order in increments of 5

Part No: 2575005

Height: 21/31" (17.1958mm)

Diameter: 1 1/8" (28.575mm)

Shaft Diameter: 3/16" (4.7625mm)

Type: Set Screw

Package Quantity: 1

Part No: 2575006

Height: 21/31" (17.1958mm)

Diameter: 1 1/8" (28.575mm)

Shaft Diameter: 1/4" (6.35mm)

Type: Set Screw

Package Quantity: 1

Part No: 2575007

Shaft Diameter: 1/8" (3.048mm)

Type: Push On

Package Quantity: 1

Part No: 2575008

Height: 9/16" (14.2875mm)

Diameter: 11/16" (17.4625mm)

Shaft Diameter: 1/4" (6.35mm)

Type: Set Screw

Fitting Thread Size: No. 6-32 thread

Package Quantity: 1

Part No: 2575009

Height: 37/64" (14.6812mm)

Diameter: 23/32" (18.2626mm)

Shaft Diameter: 1/4" (6.35mm)

Type: Set Screw

Fitting Thread Size: No. 6-32 thread

Package Quantity: 1

Part No: 2575010

Height: 5/8" (15.875mm)

Diameter: 1 1/4" (31.75mm)

Shaft Diameter: 1/4" (6.35mm)

Type: Set Screw

Fitting Thread Size: No. 8-32 thread

Package Quantity: must order in increments of 5

Part No: 2575011



Height: 1 3/8" (34.925mm)
 Diameter: 7/8" (22.225mm)
 Shaft Diameter: 1/4" (6.35mm)
 Type: Set Screw
 Package Quantity: 1

Part No: 2575018



Height: 15/16" (23.8125mm)
 Diameter: 7/8" (22.225mm)
 Type: Threaded
 Fitting Thread Size: No. 10-32 thread
 Package Quantity: must order in increments of 5

Part No: 2575024



Height: 3/4" (19mm)
 Diameter: 1 7/64" (28.4mm)
 Shaft Diameter: 1/4" (6.35mm)
 Type: Push On
 Package Quantity: 1

Part No: 2575025



Height: 21/32" (16.764mm)
 Diameter: 1 1/8" (28.448mm)
 Shaft Diameter: 1/4" (6.35mm)
 Type: Push On
 Package Quantity: 1

Part No: 2599024



Package Quantity: must order in increments of 5

Part No: 2599025



Height: 19/32" (15.0876mm)
 Diameter: 1" (25.4mm)
 Type: Set Screw
 Fitting Thread Size: No. 6 oval HD.
 Package Quantity: 1

Part No: 2599029



Height: 5/8" (15.875mm)
 Diameter: 1" (25.4mm)
 Shaft Diameter: 1/4" (6.35mm)
 Type: Push On
 Package Quantity: 1

Part No: 2599030



Height: 5/8" (15.875mm)
 Diameter: 1 1/8" (28.575mm)
 Shaft Diameter: 1/4" (6.35mm)
 Type: Push On
 Package Quantity: 1

Part No: 2599031



Height: 45/64" (17.78mm)
 Diameter: 3/4" (19.05mm)
 Shaft Diameter: 1/4" (6.35mm)
 Type: Set Screw
 Fitting Thread Size: No. 10-32 thread
 Package Quantity: 1



Control Knobs

Part No: 2599032

Height: 3/4" (19.05mm)

Diameter: 1 1/2" (38.1mm)

Type: Set Screw

Fitting Thread Size: No. 8-32 thread

Package Quantity: 1

Part No: 2599034

Height: 5/8" (15.875mm)

Diameter: 5/8" (15.875mm)

Type: Push On

Package Quantity: 1

Part No: 2599036

Height: 29/32" (23.114mm)

Diameter: 15/32" (11.938mm)

Package Quantity: must order in increments of 10

Part No: 2599037

Height: 31/32" (24.765mm)

Diameter: 35/64" (13.97mm)

Shaft Diameter: Fits .3" x .11" level shaft

Type: Control Lever

Package Quantity: 1

Part No: 2599038

Height: 35/64" (13.97mm)

Diameter: 31/32" (24.8mm)

Shaft Diameter: 1/4" (6.35mm)

Type: Set Screw

Package Quantity: must order in increments of 5

Part No: 2599041

Height: 3/4" (19.05mm)

Diameter: 1 1/8" (28.448mm)

Shaft Diameter: 1/4" (6.35mm)

Type: Push On

Package Quantity: 1

Part No: 2599043

Height: 29/32" (23.0124mm)

Diameter: 1 1/16" (26.9748mm)

Type: Threaded

Fitting Thread Size: No. 10-32 thread

Package Quantity: must order in increments of 2

Part No: 2599044

Height: 1" (25.4mm)

Diameter: 1 1/2" (38.1mm)

Type: Push On

Package Quantity: 1

Part No: 2599047

Height: 61/64" (24.1mm)

Diameter: 1 5/8" (41.3mm)

Type: Push On

Package Quantity: 1

Part No: 2599048



Package Quantity: 1

Part No: 2599049



Height: 57/64" (22.71mm)

Diameter: 1 31/64" (38mm)

Type: Push On

Package Quantity: 1

Part No: 2599050



Height: 57/64" (22.71mm)

Diameter: 1 31/64" (38mm)

Type: Push On

Package Quantity: 1

Part No: 2599051



Height: 61/64" (24.1mm)

Diameter: 1 5/8" (41.3mm)

Shaft Diameter: Used on 6.35 x 3.96 shafts

Type: Push On

Package Quantity: 1

Part No: 2599058



Height: 37/64" (14.732mm)

Diameter: 1 1/8" (28.448mm)

Type: Set Screw

Fitting Thread Size: No. 8-32 thread

Package Quantity: 1

Part No: 2599065



Package Quantity: 1

Part No: 2599070



Diameter: 5/8" (15.748mm)

Shaft Diameter: 1/4" (6.35mm)

Package Quantity: 1

Part No: 2599090



Package Quantity: 1

Part No: 4099132



Height: 55/64" (21.59mm)

Diameter: 1 3/8" (34.93mm)

Shaft Diameter: 1/4" (6.35mm)

Type: Push On

Package Quantity: 1



Control Assemblies & Panels

Control Kits & Modules

Part No: 3899003



General Specifications: Voltage Regulator Protected Mod Control

Package Quantity: 1

Part No: 3899005



General Specifications: Switch Kit Knob

Package Quantity: 1

Part No: 3899009



General Specifications: Amtrans Genesisi Control Package

Package Quantity: 1

Part No: 3899010



General Specifications: Ottawa Heater Control Package

Package Quantity: 1

Part No: 3899011



General Specifications: Blower SSBC Controller

Package Quantity: 1

WATER VALVES

Control Assemblies & Panels

Part No: 2199070



General Specifications: PCB Assembly

Part No: 3699003



General Specifications: NITE Upgraded Control Assembly

Package Quantity: 1

Part No: 3899002



General Specifications: Control Base Assembly

Package Quantity: 1

Part No: 3899007



General Specifications: Thomas Control Assembly

Package Quantity: 1

Part No: 3899012



General Specifications: Lighted Control Panel

Package Quantity: 1

Part No: 3899013



General Specifications: Switch Assembly

Package Quantity: 1

Part No: 3899014



General Specifications: Control Plate

Package Quantity: 1

Part No: 3899015



General Specifications: Control Assembly

Package Quantity: 1

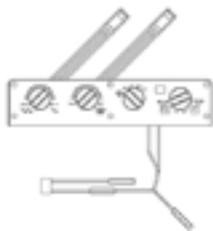
Part No: 3899017



General Specifications: Control Assembly

Package Quantity: 1

Part No: 3899018



General Specifications: Control Assembly

Package Quantity: 1

Part No: 3899021



General Specifications: Control Assembly

Package Quantity: 1

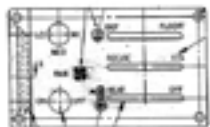
Part No: 3899023



General Specifications: Manual Combo w/modes Control Panel

Package Quantity: 1

Part No: 3899026



General Specifications: Control Plate

Package Quantity: 1

Part No: 3899028



General Specifications: Control Panel

Package Quantity: 1

Part No: 4099156



Package Quantity: 1

Notes: NITE Plus Grey Box P2, Black Box P2 Prefix BOS, Black Box P2 Prefix CDI

Part No: 4499038



Package Quantity: 1

Notes: NITE Plus Prefix BOT, CDH, CIB, Grey Box



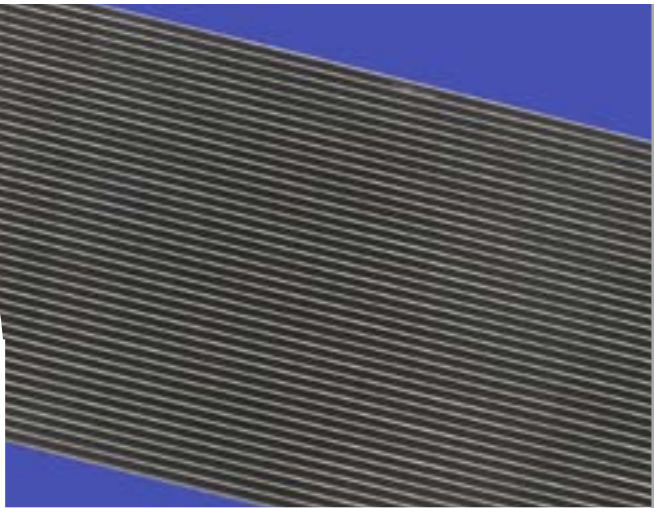


KYSOR
by Bergstrom.

*Air Conditioning & Heating
Replacement Parts*

Condensers

Condenser Coils	352
Condenser Coil Specifications	352
Condenser Mount & Service Kits	372
Multi-Flow Condensers	372
Typical Header Types	373
Service Tips	373

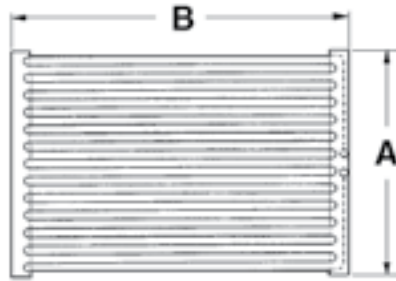


BUS

Availability of the products shown in this catalog is subject to change without notice by Bergstrom, Inc. For the most current product information please visit the Kysor distributor website at <https://parts.kysorhvac.com/>.

Call: 800.499.6849 for Technical Assistance

Condenser Coils



Legend:

A = Height
 B = Length
 M = Multi Flow
 P = Parallel Flow
 S = Serpentine
 T & F = Tube & Fin

Condenser Coil Specifications

Height (A)	Length (B)	Thickness	Type	Inlet	Outlet	Application	Part No
5 11/16" (143.6mm)	39 1/4" (996mm)	1" (25.4mm)	P	No. 8 (3/4"-16) Male O-Ring	No. 6 (5/8"-18) Male O-Ring	Volvo No: 21814392	1515022
6 1/2" (165.1mm)	39 1/2" (1003.3mm)	1" (25.4mm)	S	No. 8 (3/4"-16) Male O-Ring	No. 6 (5/8"-18) Male O-Ring	International No: ZGG707000, Volvo No: 176158, Mack No: 210RD411M	1515002
8" (203.2mm)	23 15/16" (607.9mm)	1 7/8" (47.6mm)	P	No. 8 (3/4"-16) Male O-Ring	No. 6 (5/8"-18) Male O-Ring	International No: ZGG707115, Volvo No: BSMB401102, Mack No: 7787-B401102	1575009
8 1/8" (206.6mm)	29 3/8" (746mm)	1" (25.4mm)	S	No. 8 (3/4"-16) Male O-Ring	No. 6 (5/8"-18) Male O-Ring	International No: ZGG707030, Kenworth No: K122-93	1514007
8 1/8" (206.6mm)	29 3/4" (755.7mm)	1" (25.4mm)	S	No. 8 (3/4"-16) Male O-Ring	No. 6 (5/8"-18) Male O-Ring	Peterbilt No: 18-03543, International No: ZGG707034	1517008
9" (228.6mm)	23 3/4" (603.1mm)	2 1/2" (63.5mm)	T & F	No. 8 (3/4"-16) Male O-Ring	No. 6 (5/8"-18) Male O-Ring	-	1575008
9" (228.6mm)	23 3/4" (603.1mm)	2 1/2" (63.5mm)	T & F	No. 8 (3/4"-16) Male O-Ring	No. 6 (5/8"-18) Male O-Ring	-	1575027
9" (228.6mm)	30 1/4" (768.4mm)	5/8" (16mm)	T & F	No. 8 (3/4"-16) Male O-Ring	No. 6 (5/8"-18) Male O-Ring	-	1599010
9 15/16" (252mm)	29 1/8" (740mm)	7/8" (22.2mm)	P	No. 8 (3/4"-16) Male O-Ring	No. 6 (5/8"-18) Male O-Ring	Volvo No: BSM611022, Freightliner No: 22-32466-001	1512002
9 15/16" (252mm)	29 1/8" (740mm)	7/8" (22.2mm)	P	No. 8 (3/4"-16) Male O-Ring	No. 6 (5/8"-18) Male O-Ring	International No: ZGG707066, Freightliner No: A22-24885-001	1512004
10" (254mm)	29 5/8" (752.4mm)	3" (76.2mm)	T & F	No. 8 (3/4"-16) Male O-Ring	No. 6 (5/8"-18) Male O-Ring	-	1575004
10" (254mm)	33" (838.2mm)	6 1/2" (164.6mm)	T & F	No. 8 (3/4"-16) Male Flare	No. 6 (5/8"-18) Female Flare	-	1575019
10" (254mm)	24 1/8" (613mm)	2 1/2" (63.5mm)	T & F	No. 8 (3/4"-16) Male O-Ring	No. 6 (5/8"-18) Male O-Ring	-	1575028
10" (254mm)	24 3/8" (620mm)	2 1/2" (63.5mm)	T & F	No. 8 (3/4"-16) Male O-Ring	No. 6 (5/8"-18) Male O-Ring	-	1575029
11 1/16" (282mm)	20" (508mm)	11/16" (18mm)	P	No. 8 (3/4"-16) Male O-Ring	No. 6 (5/8"-18) Male O-Ring	-	1599123
11 7/16" (290.5mm)	23 3/4" (603.1mm)	1 7/8" (47.6mm)	M	No. 8 (3/4"-16) Male O-Ring	No. 6 (5/8"-18) Male O-Ring	International No: ZGG707106	1599015
12" (304.8mm)	31 1/8" (791mm)	3 1/16" (78mm)	T & F	No. 8 (3/4"-16) Male O-Ring	No. 6 (5/8"-18) Male O-Ring	-	1530001
12" (304.8mm)	23 1/2" (596.9mm)	1 1/2" (38.1mm)	T & F	No. 8 (3/4"-16) Male O-Ring	No. 6 (5/8"-18) Male O-Ring	-	1575007
12" (304.8mm)	24" (609mm)	11/16" (18mm)	P	No. 8 (3/4"-16) Male O-Ring	No. 6 (5/8"-18) Male O-Ring	-	1599109
12" (304.8mm)	24 7/8" (632mm)	11/16" (18mm)	P	No. 8 (3/4"-16) Male O-Ring	No. 6 (5/8"-18) Male O-Ring	-	1599111
12" (304.8mm)	21 7/16" (545mm)	11/16" (18mm)	P	No. 8 (3/4"-16) Male O-Ring	No. 6 (5/8"-18) Male O-Ring	-	1599115
12" (304.8mm)	23 1/8" (587mm)	11/16" (18mm)	P	No. 8 (3/4"-16) Male O-Ring	No. 6 (5/8"-18) Male O-Ring	-	1599116
12" (304.8mm)	27 5/16" (694mm)	11/16" (18mm)	P	No. 8 (3/4"-16) Male O-Ring	No. 6 (5/8"-18) Male O-Ring	-	1599124

Condenser Coil Specifications

Height (A)	Length (B)	Thickness	Type	Inlet	Outlet	Application	Part No
12 1/4" (312mm)	23" (584mm)	7/8" (22.2mm)	S	No. 8 (3/4"-16) Male O-Ring	No. 6 (5/8"-18) Male O-Ring	-	1599108
13" (330.2mm)	31 7/8" (809.2mm)	3" (76.2mm)	T & F	No. 8 (3/4"-16) Male O-Ring	No. 6 (5/8"-18) Male O-Ring	-	1575018
13" (330.2mm)	27 3/16" (689.9mm)	1 7/8" (47.6mm)	T & F	No. 8 (3/4"-16) Male O-Ring	No. 6 (5/8"-18) Male O-Ring	-	1575025
13 1/2" (343mm)	25 5/16" (643mm)	11/16" (18mm)	P	No. 8 (3/4"-16) Male O-Ring	No. 6 (5/8"-18) Male O-Ring	-	1599113
13 1/2" (343mm)	26 5/16" (669mm)	11/16" (18mm)	P	No. 8 (3/4"-16) Male O-Ring	No. 6 (5/8"-18) Male O-Ring	-	1599127
13 5/8" (345.3mm)	29 13/16" (757.2mm)	3/4" (19mm)	S	No. 8 (3/4"-16) Male O-Ring	No. 6 (5/8"-18) Male O-Ring	International No: ZGG707026, Volvo No: 85100578, Mack No: 7979-401024, Freightliner No: KYS 401024	1575002
13 7/8" (352.4mm)	28 3/8" (721.1mm)	1" (25.4mm)	P	No. 8 (3/4"-16) Male O-Ring	No. 6 (5/8"-18) Male O-Ring	International No: ZGG707097, Volvo No: 8022509	1518008
13 15/16" (354mm)	18" (457mm)	7/8" (22.2mm)	S	No. 8 (3/4"-16) Male O-Ring	No. 6 (5/8"-18) Male O-Ring	-	1599106
13 15/16" (354mm)	23" (584mm)	7/8" (22.2mm)	S	No. 8 (3/4"-16) Male O-Ring	No. 6 (5/8"-18) Male O-Ring	-	1599107
13 15/16" (354mm)	20" (508mm)	11/16" (18mm)	P	No. 8 (3/4"-16) Male O-Ring	No. 6 (5/8"-18) Male O-Ring	-	1599110
13 15/16" (354mm)	21 1/4" (540mm)	11/16" (18mm)	P	No. 8 (3/4"-16) Male O-Ring	No. 6 (5/8"-18) Male O-Ring	-	1599112
13 15/16" (354mm)	17 15/16" (456mm)	11/16" (18mm)	P	No. 8 (3/4"-16) Male O-Ring	No. 6 (5/8"-18) Male O-Ring	-	1599114
13 15/16" (354mm)	17 5/8" (447mm)	13/16" (20.2mm)	P	No. 8 (3/4"-16) Male O-Ring	No. 6 (5/8"-18) Male O-Ring	-	1599118
14" (355.6mm)	35 5/8" (904.9mm)	3/4" (19mm)	P	Pad Fitting	Pad Fitting	Peterbilt No: R0440001, International No: ZGG707166	1517019
14" (355.6mm)	26" (660.4mm)	1 3/8" (35mm)	P	No. 8 (3/4"-16) Male O-Ring	No. 6 (5/8"-18) Male O-Ring	International No: ZGG707100, Volvo No: 8074693	1518011
14" (355.6mm)	20" (508mm)	1 3/4" (44mm)	T & F	No. 8 (3/4"-16) Male O-Ring	No. 6 (5/8"-18) Male O-Ring	-	1575017
14" (355.6mm)	21 3/4" (552.5mm)	7/8" (22.2mm)	M	No. 8 (3/4"-16) Male O-Ring	No. 6 (5/8"-18) Male O-Ring	Ford No: E7TZ-19712-A, International No: ZGG707105	1599014
14" (355.6mm)	25 3/4" (654mm)	7/8" (22.2mm)	P	No. 8 (3/4"-16) Male O-Ring	No. 6 (5/8"-18) Male O-Ring	International No: ZGG707109	1599101
14" (355.6mm)	19 5/16" (491mm)	11/16" (18mm)	P	No. 8 (3/4"-16) Male O-Ring	No. 6 (5/8"-18) Male O-Ring	-	1599120
14 1/4" (362mm)	26 5/16" (669mm)	11/16" (18mm)	P	No. 8 (3/4"-16) Male O-Ring	No. 6 (5/8"-18) Male O-Ring	-	1599128
14 11/16" (373.5mm)	23 13/16" (604.4mm)	3/4" (19mm)	T & F	No. 8 (3/4"-16) Male O-Ring	No. 6 (5/8"-18) Male O-Ring	International No: ZGG707025, Volvo No: 85100576	1575001
14 7/8" (377.8mm)	29 13/16" (757.2mm)	7/8" (22.2mm)	S	No. 8 (3/4"-16) Male O-Ring	No. 6 (5/8"-18) Male O-Ring	Volvo No: BSM611015, Western Star No: 61203-3209	1599005
14 7/8" (377.8mm)	23 13/16" (604.4mm)	13/16" (20.2mm)	P	Pad Fitting	Pad Fitting	-	1599130
14 15/16" (380mm)	25" (635mm)	11/16" (18mm)	P	No. 8 (3/4"-16) Male O-Ring	No. 6 (5/8"-18) Male O-Ring	-	1599129
15" (381mm)	31 3/16" (792mm)	1 1/4" (31.8mm)	T & F	No. 8 (3/4"-16) Male O-Ring	No. 6 (5/8"-18) Male O-Ring	Peterbilt No: 3S010633, International No: ZGG707152 Kenworth No: 3S010633	1517017
15" (381mm)	36" (914.4mm)	7/8" (22.2mm)	P	No. 8 (3/4"-16) Male O-Ring	No. 6 (5/8"-18) Male O-Ring	International No: ZGG707038, Volvo No: 61203-0029	1518006
15" (381mm)	26 1/4" (666.8mm)	1 3/8" (35mm)	P	No. 8 (3/4"-16) Male O-Ring	No. 6 (5/8"-18) Male O-Ring	International No: ZGG707098, Volvo No: 8164786	1518009
15 1/16" (382mm)	31 5/16" (795mm)	1 1/4" (31.8mm)	P	No. 8 (3/4"-16) Male O-Ring	No. 6 (5/8"-18) Male O-Ring	Peterbilt No: 18-03722, International No: ZGG707130	1517015
15 1/16" (382mm)	24 1/8" (613mm)	3/4" (19mm)	P	No. 8 (3/4"-16) Male O-Ring	No. 6 (5/8"-18) Male O-Ring	-	1599105
15 1/2" (394mm)	24" (610mm)	13/16" (20.2mm)	P	No. 8 (3/4"-16) Male O-Ring	No. 6 (5/8"-18) Male O-Ring	-	1599121

Condenser Coils

Condenser Coil Specifications

Height (A)	Length (B)	Thickness	Type	Inlet	Outlet	Application	Part No
15 7/8" (404mm)	19 5/16" (491mm)	11/16" (18mm)	P	No. 8 (3/4"-16) Male O-Ring	No. 6 (5/8"-18) Male O-Ring	-	1599117
15 7/8" (404mm)	30" (762mm)	11/16" (18mm)	P	No. 8 (3/4"-16) Male O-Ring	No. 6 (5/8"-18) Male O-Ring	-	1599125
15 7/8" (404mm)	29 5/16" (745mm)	11/16" (18mm)	P	No. 8 (3/4"-16) Male O-Ring	No. 6 (5/8"-18) Male O-Ring	-	1599126
16" (406.4mm)	30" (762mm)	3/4" (19mm)	P	No. 8 (3/4"-16) Male O-Ring	No. 8 (3/4"-16) Male O-Ring	International No: ZGG707139, Chevy/GMC No: 52477032	1510018
16" (406.4mm)	30" (762mm)	3/4" (19mm)	T & F	No. 8 (3/4"-16) Male O-Ring	No. 8 (3/4"-16) Male O-Ring	Ford No: XC3Z-19712-CA, International No: ZGG707129	1511018
16" (406.4mm)	33 1/2" (850.9mm)	3/4" (19mm)	P	Pad Fitting	Pad Fitting	International No: ZGG707157, Mack No: 210RD517M, 25192657	1515019
16" (406.4mm)	25 5/8" (650.9mm)	3/4" (19mm)	P	No. 8 (3/4"-16) Male O-Ring	No. 6 (5/8"-18) Male O-Ring	International No: ZGG707101, Volvo No: 8157100	1518012
16 1/4" (412mm)	29 7/16" (748mm)	3/4" (19mm)	P	No. 8 (3/4"-16) Male O-Ring	No. 6 (5/8"-18) Male O-Ring	International No: ZGG707176, Mack No: 210RD514M	1515021
16 1/4" (412mm)	33 9/16" (852mm)	7/8" (22.2mm)	P	No. 8 (3/4"-16) Male O-Ring	No. 6 (5/8"-18) Male O-Ring	International No: ZGG707099, Volvo No: 20461065	1518010
16 3/4" (425.5mm)	33 5/16" (846.1mm)	3/4" (19mm)	P	Pad Mount	Pad Mount	International No: 2591621C91, Freightliner No: BSM100305619	1513033
16 7/8" (428.6mm)	23 5/8" (600.1mm)	1" (25.4mm)	P	Block Type	Block Type	International No: ZGG707124, Freightliner No: BHT P5631001	1512010
17" (431.8mm)	30 1/4" (768.4mm)	3/4" (19mm)	P	Block Type	Block Type	International No: ZGG707119, Chevy/GMC No: 15112434	1510020
17 1/4" (438.1mm)	39 1/2" (1003.3mm)	7/8" (22.2mm)	T & F	No. 8 (3/4"-16) Male O-Ring	No. 6 (5/8"-18) Male O-Ring	International No: ZGG707173, Western Star No: 61203-3430	1519005
17 7/16" (442.6mm)	20" (508mm)	1 1/4" (31.8mm)	T & F	No. 8 (3/4"-16) Male O-Ring	No. 6 (5/8"-18) Male O-Ring	International No: ZGG707028, Volvo No: BSM611019	1575005
17 5/8" (448mm)	32 1/4" (819mm)	1 1/4" (31.8mm)	T & F	No. 8 (3/4"-16) Male O-Ring	No. 6 (5/8"-18) Male O-Ring	International No: ZGG707079, Kenworth No: K122-128	1514016
17 7/8" (454mm)	29 1/4" (743mm)	3/4" (19mm)	P	Block Fitting	Block Fitting	Peterbilt No: R0337001, International No: ZGG707168	1517021
18" (457.2mm)	35 5/8" (904.9mm)	1 3/8" (35mm)	P	No. 8 (3/4"-16) Male O-Ring	No. 6 (5/8"-18) Male O-Ring	International No: ZGG707172, Western Star No: 61203-3418	1519004
18" (457.2mm)	33 3/4" (857.3mm)	2 1/2" (63.5mm)	T & F	No. 8 (3/4"-16) Male O-Ring	No. 6 (5/8"-18) Male O-Ring	-	1575016
18 3/16" (462mm)	36 1/2" (928mm)	7/8" (22.2mm)	P	No. 8 (3/4"-16) Male O-Ring	No. 6 Male O-Ring	International No: ZGG707149, Western Star No: 61203-3409	1519003
18 5/16" (466mm)	32 1/2" (825mm)	5/8" (16mm)	P	Pad Fitting	Pad Fitting	International No: 2591836C91	1513036
18 1/2" (482mm)	30 5/16" (770mm)	1" (25.4mm)	P	No. 8 (3/4"-16) Male O-Ring	No. 6 (5/8"-18) Male O-Ring	International No: ZGG707120, Mack No: 210RD511M	1515013
18 1/2" (482mm)	27 15/16" (710mm)	1" (25.4mm)	P	No. 8 (3/4"-16) Male O-Ring	No. 6 (5/8"-18) Male O-Ring	International No: ZGG707135, Mack No: 210RD59M	1515017
18 5/8" (482mm)	34 7/16" (875mm)	7/8" (22.2mm)	P	Block Type	Block Type	International No: ZGG707162, Freightliner No: A22-66824-000	1512025
18 7/8" (479mm)	37 3/16" (945mm)	3/4" (19mm)	T & F	No. 8 (3/4"-16) Male O-Ring	No. 8 (3/4"-16) Male O-Ring	Ford No: F6HZ-19712-A, International No: ZGG707062	1511007
18 15/16" (482mm)	36 5/8" (930mm)	3/4" (19mm)	P	No. 8 (3/4"-16) Male O-Ring	No. 8 (3/4"-16) Male O-Ring	Ford No: VAL1210364, International No: ZGG707141, Freightliner No: VAL1210364	1511019
19" (482.6mm)	26" (660.4mm)	5/8" (16mm)	P	No. 8 (3/4"-16) Male O-Ring	No. 8 (3/4"-16) Male O-Ring	Ford No: BHT 87164, International No: ZGG707127, Freightliner No: BHT 87164	1511020
19" (482.6mm)	33 5/8" (854.1mm)	3/4" (19mm)	P	Block Type	Block Type	International No: ZGG707148, Freightliner No: 1E6069	1512017
19" (482.6mm)	35 5/8" (904.9mm)	3/4" (19mm)	P	Pad Fitting	Pad Fitting	Peterbilt No: N4778001, International No: ZGG707165, Kenworth No: N4778001	1517018
19 1/16" (484mm)	34 7/16" (875mm)	5/8" (16mm)	P	Pad Fitting	Pad Fitting	Ford No: 22-62372-000, Freightliner No: A22-66826-000	1512028
19 3/16" (487.8mm)	33 3/8" (848mm)	13/16" (20.2mm)	P	Pad Fitting	Pad Fitting	International No: 2604851C92	1513034

Condenser Coil Specifications

Height (A)	Length (B)	Thickness	Type	Inlet	Outlet	Application	Part No
19 3/8" (492mm)	37 15/16" (937mm)	7/8" (22.2mm)	P	Pad Mount	Pad Mount	Freightliner No: A22-72459-000	1512032
19 3/8" (492mm)	21 7/8" (555mm)	13/16" (20.2mm)	P	Pad Mount	Pad Mount	International No: 2507482C92	1513027
19 7/16" (494mm)	34 3/4" (882mm)	3/4" (19mm)	P	Pad Fitting	Pad Fitting	Freightliner No: A22-66824-001	1512031
19 5/8" (498.4mm)	32 1/8" (816mm)	5/8" (16mm)	P	Block Type	Block Type	International No: ZGG707146, Freightliner No: MOD 1E6068	1512015
19 1/2" (495.3mm)	29" (736.6mm)	3/4" (19mm)	P	No. 8 (3/4"-16) Male O-Ring	No. 6 (5/8"-18) Male O-Ring	International No: ZGG707134, Mack No: 210RD510M	1515016
19 1/2" (495.3mm)	29 5/8" (752.4mm)	13/16" (20.2mm)	P	No. 8 (3/4"-16) Male O-Ring	No. 6 (5/8"-18) Male O-Ring	International No: ZGG707107, Mack No: R9727	1599119
19 3/4" (502mm)	34 7/16" (875mm)	7/8" (22.2mm)	P	No. 8 (3/4"-16) Male O-Ring	No. 6 (5/8"-18) Male O-Ring	International No: 3504377C1	1513001
19 3/4" (502mm)	30 5/16" (770mm)	3/4" (19mm)	P	No. 8 (3/4"-16) Male O-Ring	No. 6 (5/8"-18) Male O-Ring	International No: ZGG707122, Kenworth No: K122-143	1514024
19 7/8" (504.8mm)	34" (863.6mm)	3/4" (19mm)	P	No. 8 (3/4"-16) Male O-Ring	No. 6 (5/8"-18) Male O-Ring	International No: ZGG707086, Mack No: 210RD56M	1515005
20" (508mm)	26" (660.4mm)	1 1/4" (31.8mm)	P	No. 8 (3/4"-16) Male O-Ring	No. 8 (3/4"-16) Male O-Ring	Ford No: BHT E4698, International No: ZGG707178	1511023
20" (508mm)	26 5/8" (676.3mm)	5/8" (16mm)	P	Pad Fitting	Pad Fitting	Peterbilt No: N4783001, International No: ZGG707163, Kenworth No: N4783001	1514025
20" (508mm)	29 1/4" (743mm)	1" (25.4mm)	S	No. 8 (3/4"-16) Male O-Ring	No. 6 (5/8"-18) Male O-Ring	International No: ZGG707121, Volvo No: 25170652, Mack No: 210RD427	1515014
20" (508mm)	36" (914.4mm)	1 7/8" (47.6mm)	T & F	No. 8 (3/4"-16) Male O-Ring	No. 6 (5/8"-18) Male O-Ring	-	1575026
20 1/16" (510mm)	33 1/2" (850.9mm)	5/8" (15.875mm)	P	Pad Fitting	Pad Fitting	Kenworth No: Z9206001	1514026
20 1/8" (512mm)	28 3/4" (730.3mm)	1 5/8" (40.6mm)	P	No. 8 (3/4"-16) Male O-Ring	No. 6 (5/8"-18) Male O-Ring	Freightliner No: 22-39302-001	1512001
20 1/8" (512mm)	34 1/4" (870mm)	7/8" (22.2mm)	P	No. 8 (3/4"-16) Male O-Ring	No. 6 (5/8"-18) Male O-Ring	International No: ZGG707013, Volvo No: BSM611023, Freightliner No: 22-42084-002	1512003
20 1/8" (512mm)	30 5/16" (770mm)	7/8" (22.2mm)	P	No. 8 (3/4"-16) Male O-Ring	No. 6 (5/8"-18) Male O-Ring	International No: ZGG707067, Freightliner No: 22-43941-000	1512005
20 1/4" (514.7mm)	29 1/2" (749.3mm)	1 7/8" (47.6mm)	T & F	No. 8 (3/4"-16) Male O-Ring	No. 6 (5/8"-18) Male O-Ring	-	1575013
20 3/16" (512mm)	26 3/4" (679.5mm)	7/8" (22.2mm)	P	No. 8 (3/4"-16) Male O-Ring	No. 6 (5/8"-18) Male O-Ring	Volvo No: BSM611024, Freightliner No: 680-830-03-70	1599011
20 7/16" (520mm)	28 3/4" (730.3mm)	5/8" (16mm)	P	Pad Fitting	Pad Fitting	Freightliner No: A22-72252-000	1512029
20 13/16" (529mm)	36" (914.4mm)	1 3/16" (30mm)	S	No. 8 (3/4"-16) Male O-Ring	No. 6 (5/8"-18) Male O-Ring	-	1599131
20 15/16" (532mm)	30 5/16" (770mm)	7/8" (22.2mm)	P	No. 8 (3/4"-16) Male O-Ring	No. 6 (5/8"-18) Male O-Ring	International No: ZGG707032, Kenworth No: K122-125	1514017
21" (533.4mm)	28 3/4" (730.3mm)	1" (25.4mm)	P	No. 8 (3/4"-16) Male O-Ring	No. 6 (5/8"-18) Male O-Ring	International No: ZGG707053, Freightliner No: 681-830-00-20	1512007
21 3/8" (542mm)	30 1/2" (774.7mm)	1" (25.4mm)	P	No. 8 (3/4"-16) Male O-Ring	No. 6 (5/8"-18) Male O-Ring	International No: ZGG707126, Mack No: 210RD428	1515018
22" (558.8mm)	27" (685.8mm)	1" (25.4mm)	T & F	No. 8 (3/4"-16) Male O-Ring	No. 6 (5/8"-18) Male O-Ring	Ford No: F4HZ-19712-A, International No: ZGG707065	1511005
22 1/8" (562mm)	35 15/16" (913mm)	1" (25.4mm)	P	No. 8 (3/4"-16) Male O-Ring	No. 6 (5/8"-18) Male O-Ring	International No: 586908C92	1513019
22 3/8" (567mm)	34 7/16" (875mm)	5/8" (16mm)	P	Pad Fitting	Pad Fitting	International No: ZGG707175, Volvo No: RDHRD473060P, Mack No: 4379-RD473060P, Freightliner No: A22-72250-000	1512027
22 3/8" (567mm)	34 5/8" (880mm)	5/8" (16mm)	P	Pad Fitting	Pad Fitting	Freightliner No: A22-67126-001	1512030
22 1/2" (571.5mm)	36" (914.4mm)	1" (25.4mm)	T & F	No. 8 (3/4"-16) Male O-Ring	No. 6 (5/8"-18) Male O-Ring	International No: 501118C3	1513022
22 15/16" (582.2mm)	26 7/16" (672mm)	1" (25.4mm)	T & F	No. 8 (3/4"-16) Male O-Ring	No. 6 (5/8"-18) Male O-Ring	International No: 2515866C1	1513011


CONDENSERS

Condenser Coils

Condenser Coil Specifications

Height (A)	Length (B)	Thickness	Type	Inlet	Outlet	Application	Part No
23" (584.2mm)	28" (711.2mm)	1" (25.4mm)	P	No. 8 (3/4"-16) Male O-Ring	No. 6 (5/8"-18) Male O-Ring	International No: ZGG707085, Mack No: 210RD54M	1515004
23 1/8" (587.4mm)	19 3/4" (501.7mm)	1" (25.4mm)	P	Block Type	Block Type	International No: 2508698C92	1513029
23 5/16" (592.1mm)	30 15/16" (785mm)	1" (25.4mm)	P	No. 8 (3/4"-16) Male O-Ring	No. 6 (5/8"-18) Male O-Ring	International No: ZGG707087, Mack No: 210RD418	1515006
23 5/8" (600mm)	37 3/8" (950mm)	13/16" (20.2mm)	P	No. 8 (3/4"-16) Male O-Ring	No. 6 (5/8"-18) Male O-Ring	-	1599122
23 11/16" (602mm)	27 9/16" (700mm)	7/8" (22.2mm)	T & F	No. 8 (3/4"-16) Male O-Ring	No. 6 (5/8"-18) Male O-Ring	International No: 2004801C4	1513017
23 3/4" (603.3mm)	30" (762mm)	3/4" (19mm)	P	Block Type	Block Type	Peterbilt No: F31-6043, International No: ZGG707136	1517014
23 3/4" (603.3mm)	30 3/4" (781mm)	3/4" (19mm)	T & F	Block Fitting	Block Fitting	Peterbilt No: F31-6064, International No: ZGG707167	1517020
24" (609.6mm)	17 3/4" (450.9mm)	1" (25.4mm)	S	No. 8 (3/4"-16) Male O-Ring	No. 6 (5/8"-18) Male O-Ring	International No: ZGG707133, Volvo No: 25164012, Mack No: 210RD424	1515015
24 1/8" (612mm)	21 3/8" (542.3mm)	5/8" (16mm)	P	Pad Mount	Pad Mount	International No: 2585373C2	1513032
24 3/8" (618mm)	21 3/8" (542.3mm)	5/8" (16mm)	P	Pad Mount	Pad Mount	International No: 2586812C91	1513028
24 3/8" (618mm)	21 7/16" (545mm)	5/8" (16mm)	P	No. 8 (3/4"-16) Male O-Ring	No. 6 (5/8"-18) Male O-Ring	International No: 2593329C91	1513035
24 7/8" (632.2mm)	33 1/16" (840mm)	7/8" (22.2mm)	P	Block Fitting	Block Fitting	International No: ZGG707033, Kenworth No: 486684-5008	1514022
24 7/8" (632.2mm)	31 11/16" (804.9mm)	15/16" (23.8mm)	P	Block Fitting	Block Fitting	Peterbilt No: 1E4582, International No: ZGG707094	1517012
26" (660.4mm)	26 3/4" (679.5mm)	3/4" (19mm)	T & F	No. 8 (3/4"-16) Male O-Ring	No. 6 (5/8"-18) Male O-Ring	International No: ZGG707131, Freightliner No: 22-45017-000	1512011
26 1/16" (662mm)	26 11/16" (678mm)	1" (25.4mm)	T & F	No. 8 (3/4"-16) Male O-Ring	No. 6 (5/8"-18) Male O-Ring	International No: 2000655C2	1513008
26 5/8" (508mm)	40 15/16" (914.4mm)	2 1/4" (57.2mm)	T & F	No. 8 (3/4"-16) Male O-Ring	No. 6 (5/8"-18) Male O-Ring	-	1575014
27" (685.8mm)	26" (660.4mm)	3/4" (19mm)	T & F	No. 8 (3/4"-16) Male O-Ring	No. 6 (5/8"-18) Male O-Ring	International No: 2009378C2	1513004
27" (685.8mm)	30 1/2" (774.7mm)	15/16" (23.8mm)	P	No. 8 (3/4"-16) Male O-Ring	No. 6 (5/8"-18) Male O-Ring	International No: 1667340C5	1513007
28" (711.2mm)	29 1/8" (740mm)	1 1/4" (31.8mm)	T & F	No. 8 (3/4"-16) Male O-Ring	No. 6 (5/8"-18) Male O-Ring	Peterbilt No: 18-04015, International No: ZGG707035	1517011
31" (787.4mm)	29 1/2" (749.3mm)	1 1/4" (31.8mm)	T & F	No. 8 (3/4"-16) Male O-Ring	No. 6 (5/8"-18) Male O-Ring	Peterbilt No: F31-6097, International No: ZGG707151	1517016

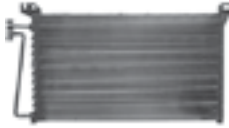
Part No: 1510018



Parallel Flow

Length: 30" (762mm)	Inlet: No. 8 (3/4"-16) Male O-Ring
Thickness: 3/4" (19mm)	Outlet: No. 8 (3/4"-16) Male O-Ring
Height: 16" (406.4mm)	International Cross Reference No: ZGG707139
Chevy/GMC Cross Reference No: 52477032	

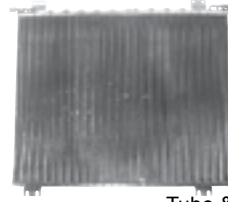
Part No: 1510020



Parallel Flow

Length: 30 1/4" (768.4mm)	Inlet: Block Type
Thickness: 3/4" (19mm)	Outlet: Block Type
Height: 17" (431.8mm)	International Cross Reference No: ZGG707119
Chevy/GMC Cross Reference No: 15112434	

Part No: 1511005



Tube & Fin

Length: 27" (685.8mm)	Inlet: No. 8 (3/4"-16) Male O-Ring
Thickness: 1" (25.4mm)	Outlet: No. 6 (5/8"-18) Male O-Ring
Height: 22" (558.8mm)	Ford Cross Reference No: F4HZ-19712-A
International Cross Reference No: ZGG707065	

Part No: 1511007



Tube & Fin

Length: 37 3/16" (945mm)	Inlet: No. 8 (3/4"-16) Male O-Ring
Thickness: 3/4" (19mm)	Outlet: No. 8 (3/4"-16) Male O-Ring
Height: 18 7/8" (479mm)	Ford Cross Reference No: F6HZ-19712-A
International Cross Reference No: ZGG707062	

Part No: 1511018



Tube & Fin

Length: 30" (762mm)	Inlet: No. 8 (3/4"-16) Male O-Ring
Thickness: 3/4" (19mm)	Outlet: No. 8 (3/4"-16) Male O-Ring
Height: 16" (406.4mm)	Ford Cross Reference No: XC3Z-19712-CA
International Cross Reference No: ZGG707129	

Part No: 1511019



Parallel Flow

Length: 36 5/8" (930mm)	Inlet: No. 8 (3/4"-16) Male O-Ring
Thickness: 3/4" (19mm)	Outlet: No. 8 (3/4"-16) Male O-Ring
Height: 18 15/16" (482mm)	Ford Cross Reference No: VAL1210364
International Cross Reference No: ZGG707141	Freightliner Cross Reference No: VAL1210364

Part No: 1511020



Parallel Flow

Length: 26" (660.4mm)	Inlet: No. 8 (3/4"-16) Male O-Ring
Thickness: 5/8" (16mm)	Outlet: No. 8 (3/4"-16) Male O-Ring
Height: 19" (482.6mm)	Ford Cross Reference No: BHT 87164
International Cross Reference No: ZGG707127	Freightliner Cross Reference No: BHT 87164

Part No: 1511023



Parallel Flow

Length: 26" (660.4mm)	Inlet: No. 8 (3/4"-16) Male O-Ring
Thickness: 1 1/4" (31.8mm)	Outlet: No. 8 (3/4"-16) Male O-Ring
Height: 20" (508mm)	Ford Cross Reference No: BHT E4698
International Cross Reference No: ZGG707178	

Part No: 1512001




Parallel Flow

Length: 28 3/4" (730.3mm)	Inlet: No. 8 (3/4"-16) Male O-Ring
Thickness: 1 5/8" (40.6mm)	Outlet: No. 6 (5/8"-18) Male O-Ring
Height: 20 1/8" (512mm)	Freightliner Cross Reference No: 22-39302-001

Condenser Coils

CONDENSERS

Part No: 1512002



Parallel Flow

Length: 29 1/8" (740mm)	Inlet: No. 8 (3/4"-16) Male O-Ring
Thickness: 7/8" (22.2mm)	Outlet: No. 6 (5/8"-18) Male O-Ring
Height: 9 15/16" (252mm)	Volvo Cross Reference No: BSM611022
Freightliner Cross Reference No: 22-32466-001	


Part No: 1512003



Parallel Flow

Length: 34 1/4" (870mm)	Inlet: No. 8 (3/4"-16) Male O-Ring
Thickness: 7/8" (22.2mm)	Outlet: No. 6 (5/8"-18) Male O-Ring
Height: 20 1/8" (512mm)	Volvo Cross Reference No: BSM611023
International Cross Reference No: ZGG707013	Freightliner Cross Reference No: 22-42084-002

Part No: 1512004



Parallel Flow

Length: 29 1/8" (740mm)	Inlet: No. 8 (3/4"-16) Male O-Ring
Thickness: 7/8" (22.2mm)	Outlet: No. 6 (5/8"-18) Male O-Ring
Height: 9 15/16" (252mm)	Freightliner Cross Reference No: A22-24885-001
International Cross Reference No: ZGG707066	

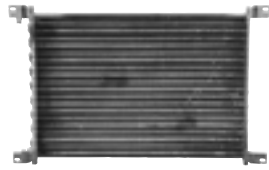
Part No: 1512005



Parallel Flow

Length: 30 5/16" (770mm)	Inlet: No. 8 (3/4"-16) Male O-Ring
Thickness: 7/8" (22.2mm)	Outlet: No. 6 (5/8"-18) Male O-Ring
Height: 20 1/8" (512mm)	International Cross Reference No: ZGG707067
Freightliner Cross Reference No: 22-43941-000	

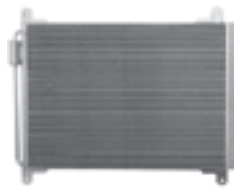
Part No: 1512007



Parallel Flow

Length: 28 3/4" (730.3mm)	Inlet: No. 8 (3/4"-16) Male O-Ring
Thickness: 1" (25.4mm)	Outlet: No. 6 (5/8"-18) Male O-Ring
Height: 21" (533.4mm)	International Cross Reference No: ZGG707053
Freightliner Cross Reference No: 681-830-00-20	


Part No: 1512010



Parallel Flow

Length: 23 5/8" (600.1mm)	Inlet: Block Type
Thickness: 1" (25.4mm)	Outlet: Block Type
Height: 16 7/8" (428.6mm)	International Cross Reference No: ZGG707124
Freightliner Cross Reference No: BHT P5631001	


Part No: 1512011



Tube & Fin

Length: 26 3/4" (679.5mm)	Inlet: No. 8 (3/4"-16) Male O-Ring
Thickness: 3/4" (19mm)	Outlet: No. 6 (5/8"-18) Male O-Ring
Height: 26" (660.4mm)	International Cross Reference No: ZGG707131
Freightliner Cross Reference No: 22-45017-000	

Part No: 1512015



Parallel Flow

Length: 32 1/8" (816mm)	Inlet: Block Type
Thickness: 5/8" (16mm)	Outlet: Block Type
Height: 19 5/8" (498.4mm)	International Cross Reference No: ZGG707146
Freightliner Cross Reference No: MOD 1E6068	

Part No: 1512017



Parallel Flow

Length: 33 5/8" (854.1mm)	Inlet: Block Type
Thickness: 3/4" (19mm)	Outlet: Block Type
Height: 19" (482.6mm)	International Cross Reference No: ZGG707148
Freightliner Cross Reference No: 1E6069	

Part No: 1512025



Parallel Flow

Length: 34 7/16" (875mm)	Inlet: Block Type
Thickness: 7/8" (22.2mm)	Outlet: Block Type
Height: 18 5/8" (482mm)	International Cross Reference No: ZGG707162
Freightliner Cross Reference No: A22-66824-000	

Part No: 1512027



Parallel Flow

Length: 34 7/16" (875mm)	Inlet: Pad Fitting
Thickness: 5/8" (16mm)	Outlet: Pad Fitting
Height: 22 3/8" (567mm)	Volvo Cross Reference No: RDHRD473060P
International Cross Reference No: ZGG707175	Freightliner Cross Reference No: A22-72250-000
Mack Cross Reference No: 4379-RD473060P	

Part No: 1512028



Parallel Flow

Length: 34 7/16" (875mm)	Inlet: Pad Fitting
Thickness: 5/8" (16mm)	Outlet: Pad Fitting
Height: 19 1/16" (484mm)	Ford Cross Reference No: 22-62372-000
Freightliner Cross Reference No: A22-66826-000	

Part No: 1512029



Parallel Flow

Length: 28 3/4" (730.3mm)	Inlet: Pad Fitting
Thickness: 5/8" (16mm)	Outlet: Pad Fitting
Height: 20 7/16" (520mm)	Freightliner Cross Reference No: A22-72252-000

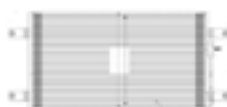
Part No: 1512030



Parallel Flow

Length: 34 5/8" (880mm)	Inlet: Pad Fitting
Thickness: 5/8" (16mm)	Outlet: Pad Fitting
Height: 22 3/8" (567mm)	Freightliner Cross Reference No: A22-67126-001


Part No: 1512031



Parallel Flow

Length: 34 3/4" (882mm)	Inlet: Pad Fitting
Thickness: 3/4" (19mm)	Outlet: Pad Fitting
Height: 19 7/16" (494mm)	Freightliner Cross Reference No: A22-66824-001

Part No: 1512032



Parallel Flow

Length: 37 15/16" (937mm)	Inlet: Pad Mount
Thickness: 7/8" (22.2mm)	Outlet: Pad Mount
Height: 19 3/8" (492mm)	Freightliner Cross Reference No: A22-72459-000

Part No: 1513001



Parallel Flow

Length: 34 7/16" (875mm)	Inlet: No. 8 (3/4"-16) Male O-Ring
Thickness: 7/8" (22.2mm)	Outlet: No. 6 (5/8"-18) Male O-Ring
Height: 19 3/4" (502mm)	International Cross Reference No: 3504377C1

Part No: 1513004



Tube & Fin

Length: 26" (660.4mm)	Inlet: No. 8 (3/4"-16) Male O-Ring
Thickness: 3/4" (19mm)	Outlet: No. 6 (5/8"-18) Male O-Ring
Height: 27" (685.8mm)	International Cross Reference No: 2009378C2

Condenser Coils

Part No: 1513007	
	
Parallel Flow	
Length: 30 1/2" (774.7mm)	Inlet: No. 8 (3/4"-16) Male O-Ring
Thickness: 15/16" (23.8mm)	Outlet: No. 6 (5/8"-18) Male O-Ring
Height: 27" (685.8mm)	International Cross Reference No: 1667340C5

Part No: 1513008	
	
Tube & Fin	
Length: 26 11/16" (678mm)	Inlet: No. 8 (3/4"-16) Male O-Ring
Thickness: 1" (25.4mm)	Outlet: No. 6 (5/8"-18) Male O-Ring
Height: 26 1/16" (662mm)	International Cross Reference No: 2000655C2

Part No: 1513011	
	
Tube & Fin	
Length: 26 7/16" (672mm)	Inlet: No. 8 (3/4"-16) Male O-Ring
Thickness: 1" (25.4mm)	Outlet: No. 6 (5/8"-18) Male O-Ring
Height: 22 15/16" (582.2mm)	International Cross Reference No: 2515866C1

Part No: 1513017	
	
Tube & Fin	
Length: 27 9/16" (700mm)	Inlet: No. 8 (3/4"-16) Male O-Ring
Thickness: 7/8" (22.2mm)	Outlet: No. 6 (5/8"-18) Male O-Ring
Height: 23 11/16" (602mm)	International Cross Reference No: 2004801C4

Part No: 1513019	
	
Parallel Flow	
Length: 35 15/16" (913mm)	Inlet: No. 8 (3/4"-16) Male O-Ring
Thickness: 1" (25.4mm)	Outlet: No. 6 (5/8"-18) Male O-Ring
Height: 22 1/8" (562mm)	International Cross Reference No: 586908C92

Part No: 1513022	
	
Tube & Fin	
Length: 36" (914.4mm)	Inlet: No. 8 (3/4"-16) Male O-Ring
Thickness: 1" (25.4mm)	Outlet: No. 6 (5/8"-18) Male O-Ring
Height: 22 1/2" (571.5mm)	International Cross Reference No: 501118C3

Part No: 1513027	
	
Parallel Flow	
Length: 21 7/8" (555mm)	Inlet: Pad Mount
Thickness: 13/16" (20.2mm)	Outlet: Pad Mount
Height: 19 3/8" (492mm)	International Cross Reference No: 2507482C92

Part No: 1513028	
	
Parallel Flow	
Length: 21 3/8" (542.3mm)	Inlet: Pad Mount
Thickness: 5/8" (16mm)	Outlet: Pad Mount
Height: 24 3/8" (618mm)	International Cross Reference No: 2586812C91

Part No: 1513029	
	
Parallel Flow	
Length: 19 3/4" (501.7mm)	Inlet: Block Type
Thickness: 1" (25.4mm)	Outlet: Block Type
Height: 23 1/8" (587.4mm)	International Cross Reference No: 2508698C92

Part No: 1513032



Parallel Flow

Length: 21 3/8" (542.3mm)	Inlet: Pad Mount
Thickness: 5/8" (16mm)	Outlet: Pad Mount
Height: 24 1/8" (612mm)	International Cross Reference No: 2585373C2

Part No: 1513033



Parallel Flow

Length: 33 5/16" (846.1mm)	Inlet: Pad Mount
Thickness: 3/4" (19mm)	Outlet: Pad Mount
Height: 16 3/4" (425.5mm)	International Cross Reference No: 2591621C91

Freightliner Cross Reference No: BSM100305619

Part No: 1513034



Parallel Flow

Length: 33 3/8" (848mm)	Inlet: Pad Fitting
Thickness: 13/16" (20.2mm)	Outlet: Pad Fitting
Height: 19 3/16" (487.8mm)	International Cross Reference No: 2604851C92


Part No: 1513035



Parallel Flow

Length: 21 7/16" (545mm)	Inlet: No. 8 (3/4"-16) Male O-Ring
Thickness: 5/8" (16mm)	Outlet: No. 6 (5/8"-18) Male O-Ring
Height: 24 3/8" (618mm)	International Cross Reference No: 2593329C91

Part No: 1513036



Parallel Flow

Length: 32 1/2" (825mm)	Inlet: Pad Fitting
Thickness: 5/8" (16mm)	Outlet: Pad Fitting
Height: 18 5/16" (466mm)	International Cross Reference No: 2591836C91

Part No: 1514007



Serpentine

Length: 29 3/8" (746mm)	Inlet: No. 8 (3/4"-16) Male O-Ring
Thickness: 1" (25.4mm)	Outlet: No. 6 (5/8"-18) Male O-Ring
Height: 8 1/8" (206.6mm)	International Cross Reference No: ZGG707030

Kenworth Cross Reference No: K122-93

Part No: 1514016




Tube & Fin

Length: 32 1/4" (819mm)	Inlet: No. 8 (3/4"-16) Male O-Ring
Thickness: 1 1/4" (31.8mm)	Outlet: No. 6 (5/8"-18) Male O-Ring
Height: 17 5/8" (448mm)	International Cross Reference No: ZGG707079

Kenworth Cross Reference No: K122-128

Part No: 1514017



Parallel Flow

Length: 30 5/16" (770mm)	Inlet: No. 8 (3/4"-16) Male O-Ring
Thickness: 7/8" (22.2mm)	Outlet: No. 6 (5/8"-18) Male O-Ring
Height: 20 15/16" (532mm)	International Cross Reference No: ZGG707032

Kenworth Cross Reference No: K122-125

Part No: 1514022



Parallel Flow

Length: 33 1/16" (840mm)	Inlet: Block Fitting
Thickness: 7/8" (22.2mm)	Outlet: Block Fitting
Height: 24 7/8" (632.2mm)	International Cross Reference No: ZGG707033

Kenworth Cross Reference No: 486684-5008

Condenser Coils

Part No: 1514024



Parallel Flow

Length: 30 5/16" (770mm)	Inlet: No. 8 (3/4"-16) Male O-Ring
Thickness: 3/4" (19mm)	Outlet: No. 6 (5/8"-18) Male O-Ring
Height: 19 3/4" (502mm)	International Cross Reference No: ZGG707122
Kenworth Cross Reference No: K122-143	

Part No: 1514025



Parallel Flow

Length: 26 5/8" (676.3mm)	Inlet: Pad Fitting
Thickness: 5/8" (16mm)	Outlet: Pad Fitting
Height: 20" (508mm)	Peterbilt Cross Reference No: N4783001
International Cross Reference No: ZGG707163	Kenworth Cross Reference No: N4783001

Part No: 1514026



Parallel Flow

Length: 33 1/2" (850.9mm)	Inlet: Pad Fitting
Thickness: 5/8" (15.875mm)	Outlet: Pad Fitting
Height: 20 5/64" (509.98mm)	Kenworth Cross Reference No: Z9206001

Part No: 1515002



Serpentine

Length: 6 1/2" (165.1mm)	Inlet: No. 8 (3/4"-16) Male O-Ring
Thickness: 1" (25.4mm)	Outlet: No. 6 (5/8"-18) Male O-Ring
Height: 39 1/2" (1003.3mm)	International Cross Reference No: ZGG707000
Mack Cross Reference No: 210RD411M	

Part No: 1515004



Parallel Flow

Length: 28" (711.2mm)	Inlet: No. 8 (3/4"-16) Male O-Ring
Thickness: 1" (25.4mm)	Outlet: No. 6 (5/8"-18) Male O-Ring
Height: 23" (584.2mm)	International Cross Reference No: ZGG707085
Mack Cross Reference No: 210RD54M	

Part No: 1515005



Parallel Flow

Length: 34" (863.6mm)	Inlet: No. 8 (3/4"-16) Male O-Ring
Thickness: 3/4" (19mm)	Outlet: No. 6 (5/8"-18) Male O-Ring
Height: 19 7/8" (504.8mm)	International Cross Reference No: ZGG707086
Mack Cross Reference No: 210RD56M	

Part No: 1515006



Parallel Flow

Length: 30 15/16" (785mm)	Inlet: No. 8 (3/4"-16) Male O-Ring
Thickness: 1" (25.4mm)	Outlet: No. 6 (5/8"-18) Male O-Ring
Height: 23 5/16" (592.1mm)	International Cross Reference No: ZGG707087
Mack Cross Reference No: 210RD418	

Part No: 1515013



Parallel Flow

Length: 30 5/16" (770mm)	Inlet: No. 8 (3/4"-16) Male O-Ring
Thickness: 1" (25.4mm)	Outlet: No. 6 (5/8"-18) Male O-Ring
Height: 18 1/2" (482mm)	International Cross Reference No: ZGG707120
Mack Cross Reference No: 210RD511M	

Part No: 1515014



Serpentine

Length: 29 1/4" (743mm)	Inlet: No. 8 (3/4"-16) Male O-Ring
Thickness: 1" (25.4mm)	Outlet: No. 6 (5/8"-18) Male O-Ring
Height: 20" (508mm)	International Cross Reference No: ZGG707121
Mack Cross Reference No: 210RD427	Volvo Cross Reference No: 25170652


Part No: 1515015



Serpentine

Length: 17 3/4" (450.9mm)	Inlet: No. 8 (3/4"-16) Male O-Ring
Thickness: 1" (25.4mm)	Outlet: No. 6 (5/8"-18) Male O-Ring
Height: 24" (609.6mm)	Volvo Cross Reference No: 25164012
International Cross Reference No: ZGG707133	Mack Cross Reference No: 210RD424

Part No: 1515016



Parallel Flow

Length: 29" (736.6mm)	Inlet: No. 8 (3/4"-16) Male O-Ring
Thickness: 3/4" (19mm)	Outlet: No. 6 (5/8"-18) Male O-Ring
Height: 19 1/2" (495.3mm)	International Cross Reference No: ZGG707134
Mack Cross Reference No: 210RD510M	

Part No: 1515017



Parallel Flow

Length: 27 15/16" (710mm)	Inlet: No. 8 (3/4"-16) Male O-Ring
Thickness: 1" (25.4mm)	Outlet: No. 6 (5/8"-18) Male O-Ring
Height: 18 1/2" (482mm)	International Cross Reference No: ZGG707135
Mack Cross Reference No: 210RD59M	

Part No: 1515018



Parallel Flow

Length: 30 1/2" (774.7mm)	Inlet: No. 8 (3/4"-16) Male O-Ring
Thickness: 1" (25.4mm)	Outlet: No. 6 (5/8"-18) Male O-Ring
Height: 21 3/8" (542mm)	International Cross Reference No: ZGG707126
Mack Cross Reference No: 210RD428	

Part No: 1515019



Parallel Flow

Length: 33 1/2" (850.9mm)	Inlet: Pad Fitting
Thickness: 3/4" (19mm)	Outlet: Pad Fitting
Height: 16" (406.4mm)	International Cross Reference No: ZGG707157
Mack Cross Reference No: 210RD517M, 25192657	

Part No: 1515021



Parallel Flow

Length: 29 7/16" (748mm)	Inlet: No. 8 (3/4"-16) Male O-Ring
Thickness: 3/4" (19mm)	Outlet: No. 6 (5/8"-18) Male O-Ring
Height: 16 1/4" (412mm)	International Cross Reference No: ZGG707176
Mack Cross Reference No: 210RD514M	

Part No: 1515022



Parallel Flow

Length: 39 1/4" (996mm)	Inlet: No. 8 (3/4"-16) Male O-Ring
Thickness: 1" (25.4mm)	Outlet: No. 6 (5/8"-18) Male O-Ring
Height: 5 11/16" (143.6mm)	Volvo Cross Reference No: 21814392

Part No: 1517008



Serpentine

Length: 29 3/4" (755.7mm)	Inlet: No. 8 (3/4"-16) Male O-Ring
Thickness: 1" (25.4mm)	Outlet: No. 6 (5/8"-18) Male O-Ring
Height: 8 1/8" (206.6mm)	Peterbilt Cross Reference No: 18-03543
International Cross Reference No: ZGG707034	

Part No: 1517011



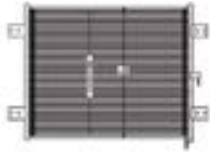
Tube & Fin

Length: 29 1/8" (740mm)	Inlet: No. 8 (3/4"-16) Male O-Ring
Thickness: 1 1/4" (31.8mm)	Outlet: No. 6 (5/8"-18) Male O-Ring
Height: 28" (711.2mm)	Peterbilt Cross Reference No: 18-04015
International Cross Reference No: ZGG707035	

Condenser Coils

CONDENSERS

Part No: 1517012



Parallel Flow

Length: 31 11/16" (804.9mm)	Inlet: Block Fitting
Thickness: 15/16" (23.8mm)	Outlet: Block Fitting
Height: 24 7/8" (632.2mm)	Peterbilt Cross Reference No: 1E4582
International Cross Reference No: ZGG707094	

Part No: 1517014



Parallel Flow

Length: 30" (762mm)	Inlet: Block Type
Thickness: 3/4" (19mm)	Outlet: Block Type
Height: 23 3/4" (603.3mm)	Peterbilt Cross Reference No: F31-6043
International Cross Reference No: ZGG707136	

Part No: 1517015



Parallel Flow

Length: 31 5/16" (795mm)	Inlet: No. 8 (3/4"-16) Male O-Ring
Thickness: 1 1/4" (31.8mm)	Outlet: No. 6 (5/8"-18) Male O-Ring
Height: 15 1/16" (382mm)	Peterbilt Cross Reference No: 18-03722
International Cross Reference No: ZGG707130	

Part No: 1517016



Tube & Fin

Length: 29 1/2" (749.3mm)	Inlet: No. 8 (3/4"-16) Male O-Ring
Thickness: 1 1/4" (31.8mm)	Outlet: No. 6 (5/8"-18) Male O-Ring
Height: 31" (787.4mm)	Peterbilt Cross Reference No: F31-6097
International Cross Reference No: ZGG707151	

Part No: 1517017



Tube & Fin

Length: 31 3/16" (792mm)	Inlet: No. 8 (3/4"-16) Male O-Ring
Thickness: 1 1/4" (31.8mm)	Outlet: No. 6 (5/8"-18) Male O-Ring
Height: 15" (381mm)	Peterbilt Cross Reference No: 3S010633
International Cross Reference No: ZGG707152	Kenworth Cross Reference No: 3S010633

Part No: 1517018



Parallel Flow

Length: 35 5/8" (904.9mm)	Inlet: Pad Fitting
Thickness: 3/4" (19mm)	Outlet: Pad Fitting
Height: 19" (482.6mm)	Peterbilt Cross Reference No: N4778001
International Cross Reference No: ZGG707165	Kenworth Cross Reference No: N4778001

Part No: 1517019



Parallel Flow

Length: 35 5/8" (904.9mm)	Inlet: Pad Fitting
Thickness: 3/4" (19mm)	Outlet: Pad Fitting
Height: 14" (355.6mm)	Peterbilt Cross Reference No: R0440001
International Cross Reference No: ZGG707166	

Part No: 1517020



Tube & Fin

Length: 30 3/4" (781mm)	Inlet: Block Fitting
Thickness: 3/4" (19mm)	Outlet: Block Fitting
Height: 23 3/4" (603.3mm)	Peterbilt Cross Reference No: F31-6064
International Cross Reference No: ZGG707167	


Part No: 1517021



Parallel Flow

Length: 29 1/4" (743mm)	Inlet: Block Fitting
Thickness: 3/4" (19mm)	Outlet: Block Fitting
Height: 17 7/8" (454mm)	Peterbilt Cross Reference No: R0337001
International Cross Reference No: ZGG707168	

Part No: 1518006



Parallel Flow

Length: 36" (914.4mm)	Inlet: No. 8 (3/4"-16) Male O-Ring
Thickness: 7/8" (22.2mm)	Outlet: No. 6 (5/8"-18) Male O-Ring
Height: 15" (381mm)	Volvo Cross Reference No: 61203-0029
International Cross Reference No: ZGG707038	

Part No: 1518008



Parallel Flow

Length: 28 3/8" (721.1mm)	Inlet: No. 8 (3/4"-16) Male O-Ring
Thickness: 1" (25.4mm)	Outlet: No. 6 (5/8"-18) Male O-Ring
Height: 13 7/8" (352.4mm)	Volvo Cross Reference No: 8022509
International Cross Reference No: ZGG707097	

Part No: 1518009



Parallel Flow

Length: 26 1/4" (666.8mm)	Inlet: No. 8 (3/4"-16) Male O-Ring
Thickness: 1 3/8" (35mm)	Outlet: No. 6 (5/8"-18) Male O-Ring
Height: 15" (381mm)	Volvo Cross Reference No: 8164786
International Cross Reference No: ZGG707098	

Part No: 1518010



Parallel Flow

Length: 33 9/16" (852mm)	Inlet: No. 8 (3/4"-16) Male O-Ring
Thickness: 7/8" (22.2mm)	Outlet: No. 6 (5/8"-18) Male O-Ring
Height: 16 1/4" (412mm)	Volvo Cross Reference No: 20461065
International Cross Reference No: ZGG707099	

Part No: 1518011



Parallel Flow

Length: 26" (660.4mm)	Inlet: No. 8 (3/4"-16) Male O-Ring
Thickness: 1 3/8" (35mm)	Outlet: No. 6 (5/8"-18) Male O-Ring
Height: 14" (355.6mm)	Volvo Cross Reference No: 8074693
International Cross Reference No: ZGG707100	

Part No: 1518012



Parallel Flow

Length: 25 5/8" (650.9mm)	Inlet: No. 8 (3/4"-16) Male O-Ring
Thickness: 3/4" (19mm)	Outlet: No. 6 (5/8"-18) Male O-Ring
Height: 16" (406.4mm)	Volvo Cross Reference No: 8157100
International Cross Reference No: ZGG707101	


Part No: 1519003



Parallel Flow

Length: 36 1/2" (928mm)	Inlet: No. 8 (3/4"-16) Male O-Ring
Thickness: 7/8" (22.2mm)	Outlet: No. 6 Male O-Ring
Height: 18 3/16" (462mm)	International Cross Reference No: ZGG707149
Western Star Cross Reference No: 61203-3409	

Part No: 1519004



Parallel Flow

Length: 35 5/8" (904.9mm)	Inlet: No. 8 (3/4"-16) Male O-Ring
Thickness: 1 3/8" (35mm)	Outlet: No. 6 (5/8"-18) Male O-Ring
Height: 18" (457.2mm)	International Cross Reference No: ZGG707172
Western Star Cross Reference No: 61203-3418	

Part No: 1519005



Tube & Fin

Length: 39 1/2" (1003.3mm)	Inlet: No. 8 (3/4"-16) Male O-Ring
Thickness: 7/8" (22.2mm)	Outlet: No. 6 (5/8"-18) Male O-Ring
Height: 17 1/4" (438.1mm)	International Cross Reference No: ZGG707173
Western Star Cross Reference No: 61203-3430	

Condenser Coils

CONDENSERS

Part No: 1530001



Tube & Fin

Length: 31 1/8" (791mm)	Inlet: No. 8 (3/4"-16) Male O-Ring
Thickness: 3 1/16" (78mm)	Outlet: No. 6 (5/8"-18) Male O-Ring
Height: 12" (304.8mm)	

Part No: 1575001



Tube & Fin

Length: 23 13/16" (604.4mm)	Inlet: No. 8 (3/4"-16) Male O-Ring
Thickness: 3/4" (19mm)	Outlet: No. 6 (5/8"-18) Male O-Ring
Height: 14 11/16" (373.5mm)	Volvo Cross Reference No: 85100576
International Cross Reference No: ZGG707025	

Part No: 1575002



Serpentine

Length: 29 13/16" (757.2mm)	Inlet: No. 8 (3/4"-16) Male O-Ring
Thickness: 3/4" (19mm)	Outlet: No. 6 (5/8"-18) Male O-Ring
Height: 13 5/8" (345.3mm)	Volvo Cross Reference No: 85100578
International Cross Reference No: ZGG707026	Freightliner Cross Reference No: KYS 401024
Mack Cross Reference No: 7979-401024	

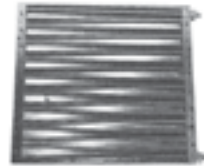
Part No: 1575004



Tube & Fin

Length: 29 5/8" (752.4mm)	Inlet: No. 8 (3/4"-16) Male O-Ring
Thickness: 3" (76.2mm)	Outlet: No. 6 (5/8"-18) Male O-Ring
Height: 10" (254mm)	

Part No: 1575005



Tube & Fin

Length: 20" (508mm)	Inlet: No. 8 (3/4"-16) Male O-Ring
Thickness: 1 1/4" (31.8mm)	Outlet: No. 6 (5/8"-18) Male O-Ring
Height: 17 7/16" (442.6mm)	Volvo Cross Reference No: BSM611019
International Cross Reference No: ZGG707028	

Part No: 1575007



Tube & Fin

Length: 23 1/2" (596.9mm)	Inlet: No. 8 (3/4"-16) Male O-Ring
Thickness: 1 1/2" (38.1mm)	Outlet: No. 6 (5/8"-18) Male O-Ring
Height: 12" (304.8mm)	

Part No: 1575008



Tube & Fin

Length: 23 3/4" (603.1mm)	Inlet: No. 8 (3/4"-16) Male O-Ring
Thickness: 2 1/2" (63.5mm)	Outlet: No. 6 (5/8"-18) Male O-Ring
Height: 9" (228.6mm)	

Part No: 1575009



Parallel Flow

Length: 23 15/16" (607.9mm)	Inlet: No. 8 (3/4"-16) Male O-Ring
Thickness: 1 7/8" (47.6mm)	Outlet: No. 6 (5/8"-18) Male O-Ring
Height: 8" (203.2mm)	Volvo Cross Reference No: BSMB401102
International Cross Reference No: ZGG707115	Mack Cross Reference No: 7787-B401102


Part No: 1575013



Tube & Fin

Length: 29 1/2" (749.3mm)	Inlet: No. 8 (3/4"-16) Male O-Ring
Thickness: 1 7/8" (47.6mm)	Outlet: No. 6 (5/8"-18) Male O-Ring
Height: 20 1/4" (514.7mm)	


Part No: 1575014



Tube & Fin

Length: 40 15/16" (914.4mm)	Inlet: No. 8 (3/4"-16) Male O-Ring
Thickness: 2 1/4" (57.2mm)	Outlet: No. 6 (5/8"-18) Male O-Ring
Height: 26 5/8" (508mm)	

Part No: 1575016



Tube & Fin

Length: 33 3/4" (857.3mm)	Inlet: No. 8 (3/4"-16) Male O-Ring
Thickness: 2 1/2" (63.5mm)	Outlet: No. 6 (5/8"-18) Male O-Ring
Height: 18" (457.2mm)	

Part No: 1575017



Tube & Fin

Length: 20" (508mm)	Inlet: No. 8 (3/4"-16) Male O-Ring
Thickness: 1 3/4" (44mm)	Outlet: No. 6 (5/8"-18) Male O-Ring
Height: 14" (355.6mm)	

Part No: 1575018



Tube & Fin

Length: 31 7/8" (809.2mm)	Inlet: No. 8 (3/4"-16) Male O-Ring
Thickness: 3" (76.2mm)	Outlet: No. 6 (5/8"-18) Male O-Ring
Height: 13" (330.2mm)	

Part No: 1575019



Tube & Fin

Length: 33" (838.2mm)	Inlet: No. 8 (3/4"-16) Male Flare
Thickness: 6 1/2" (164.6mm)	Outlet: No. 6 (5/8"-18) Female Flare
Height: 10" (254mm)	


Part No: 1575025



Tube & Fin

Length: 27 3/16" (689.9mm)	Inlet: No. 8 (3/4"-16) Male O-Ring
Thickness: 1 7/8" (47.6mm)	Outlet: No. 6 (5/8"-18) Male O-Ring
Height: 13" (330.2mm)	

Part No: 1575026



Tube & Fin

Length: 36" (914.4mm)	Inlet: No. 8 (3/4"-16) Male O-Ring
Thickness: 1 7/8" (47.6mm)	Outlet: No. 6 (5/8"-18) Male O-Ring
Height: 20" (508mm)	


Part No: 1575027



Tube & Fin

Length: 23 3/4" (603.1mm)	Inlet: No. 8 (3/4"-16) Male O-Ring
Thickness: 2 1/2" (63.5mm)	Outlet: No. 6 (5/8"-18) Male O-Ring
Height: 9" (228.6mm)	

Part No: 1575028



Tube & Fin

Length: 24 1/8" (613mm)	Inlet: No. 8 (3/4"-16) Male O-Ring
Thickness: 2 1/2" (63.5mm)	Outlet: No. 6 (5/8"-18) Male O-Ring
Height: 10" (254mm)	

Condenser Coils

Part No: 1575029



Tube & Fin

Length: 24 3/8" (620mm)	Inlet: No. 8 (3/4"-16) Male O-Ring
Thickness: 2 1/2" (63.5mm)	Outlet: No. 6 (5/8"-18) Male O-Ring
Height: 10" (254mm)	

Part No: 1599005



Serpentine

Length: 29 13/16" (757.2mm)	Inlet: No. 8 (3/4"-16) Male O-Ring
Thickness: 7/8" (22.2mm)	Outlet: No. 6 (5/8"-18) Male O-Ring
Height: 14 7/8" (377.8mm)	Volvo Cross Reference No: BSM611015
Western Star Cross Reference No: 61203-3209	

Part No: 1599010



Tube & Fin

Length: 30 1/4" (768.4mm)	Inlet: No. 8 (3/4"-16) Male O-Ring
Thickness: 5/8" (16mm)	Outlet: No. 6 (5/8"-18) Male O-Ring
Height: 9" (228.6mm)	

Part No: 1599011



Parallel Flow

Length: 26 3/4" (679.5mm)	Inlet: No. 8 (3/4"-16) Male O-Ring
Thickness: 7/8" (22.2mm)	Outlet: No. 6 (5/8"-18) Male O-Ring
Height: 20 3/16" (512mm)	Volvo Cross Reference No: BSM611024
Freightliner Cross Reference No: 680-830-03-70	

Part No: 1599014



Multi Flow

Length: 21 3/4" (552.5mm)	Inlet: No. 8 (3/4"-16) Male O-Ring
Thickness: 7/8" (22.2mm)	Outlet: No. 6 (5/8"-18) Male O-Ring
Height: 14" (355.6mm)	Ford Cross Reference No: E7TZ-19712-A
International Cross Reference No: ZGG707105	

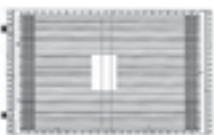
Part No: 1599015



Multi Flow

Length: 23 3/4" (603.1mm)	Inlet: No. 8 (3/4"-16) Male O-Ring
Thickness: 1 7/8" (47.6mm)	Outlet: No. 6 (5/8"-18) Male O-Ring
Height: 11 7/16" (290.5mm)	International Cross Reference No: ZGG707106

Part No: 1599101



Parallel Flow

Length: 25 3/4" (654mm)	Inlet: No. 8 (3/4"-16) Male O-Ring
Thickness: 7/8" (22.2mm)	Outlet: No. 6 (5/8"-18) Male O-Ring
Height: 14" (355.6mm)	International Cross Reference No: ZGG707109

Part No: 1599105



Parallel Flow

Length: 24 1/8" (613mm)	Inlet: No. 8 (3/4"-16) Male O-Ring
Thickness: 3/4" (19mm)	Outlet: No. 6 (5/8"-18) Male O-Ring
Height: 15 1/16" (382mm)	


Part No: 1599106



Serpentine

Length: 18" (457mm)	Inlet: No. 8 (3/4"-16) Male O-Ring
Thickness: 7/8" (22.2mm)	Outlet: No. 6 (5/8"-18) Male O-Ring
Height: 13 15/16" (354mm)	


Part No: 1599107



Serpentine

Length: 23" (584mm)	Inlet: No. 8 (3/4"-16) Male O-Ring
Thickness: 7/8" (22.2mm)	Outlet: No. 6 (5/8"-18) Male O-Ring
Height: 13 15/16" (354mm)	


Part No: 1599108



Serpentine

Length: 23" (584mm)	Inlet: No. 8 (3/4"-16) Male O-Ring
Thickness: 7/8" (22.2mm)	Outlet: No. 6 (5/8"-18) Male O-Ring
Height: 12 1/4" (312mm)	


Part No: 1599109



Parallel Flow

Length: 24" (609mm)	Inlet: No. 8 (3/4"-16) Male O-Ring
Thickness: 11/16" (18mm)	Outlet: No. 6 (5/8"-18) Male O-Ring
Height: 12" (304.8mm)	


Part No: 1599110



Parallel Flow

Length: 20" (508mm)	Inlet: No. 8 (3/4"-16) Male O-Ring
Thickness: 11/16" (18mm)	Outlet: No. 6 (5/8"-18) Male O-Ring
Height: 13 15/16" (354mm)	


Part No: 1599111



Parallel Flow

Length: 24 7/8" (632mm)	Inlet: No. 8 (3/4"-16) Male O-Ring
Thickness: 11/16" (18mm)	Outlet: No. 6 (5/8"-18) Male O-Ring
Height: 12" (304.8mm)	


Part No: 1599112



Parallel Flow

Length: 21 1/4" (540mm)	Inlet: No. 8 (3/4"-16) Male O-Ring
Thickness: 11/16" (18mm)	Outlet: No. 6 (5/8"-18) Male O-Ring
Height: 13 15/16" (354mm)	

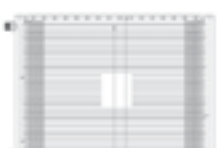
Part No: 1599113



Parallel Flow

Length: 25 5/16" (643mm)	Inlet: No. 8 (3/4"-16) Male O-Ring
Thickness: 11/16" (18mm)	Outlet: No. 6 (5/8"-18) Male O-Ring
Height: 13 1/2" (343mm)	


Part No: 1599114



Parallel Flow

Length: 17 15/16" (456mm)	Inlet: No. 8 (3/4"-16) Male O-Ring
Thickness: 11/16" (18mm)	Outlet: No. 6 (5/8"-18) Male O-Ring
Height: 13 15/16" (354mm)	

Part No: 1599115

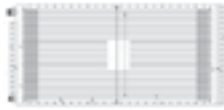


Parallel Flow

Length: 21 7/16" (545mm)	Inlet: No. 8 (3/4"-16) Male O-Ring
Thickness: 11/16" (18mm)	Outlet: No. 6 (5/8"-18) Male O-Ring
Height: 12" (304.8mm)	

Condenser Coils

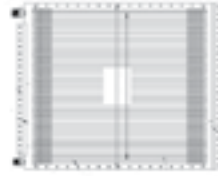
Part No: 1599116



Parallel Flow

Length: 23 1/8" (587mm)	Inlet: No. 8 (3/4"-16) Male O-Ring
Thickness: 11/16" (18mm)	Outlet: No. 6 (5/8"-18) Male O-Ring
Height: 12" (304.8mm)	

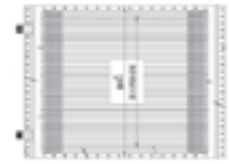
Part No: 1599117



Parallel Flow

Length: 19 5/16" (491mm)	Inlet: No. 8 (3/4"-16) Male O-Ring
Thickness: 11/16" (18mm)	Outlet: No. 6 (5/8"-18) Male O-Ring
Height: 15 7/8" (404mm)	

Part No: 1599118



Parallel Flow

Length: 17 5/8" (447mm)	Inlet: No. 8 (3/4"-16) Male O-Ring
Thickness: 13/16" (20.2mm)	Outlet: No. 6 (5/8"-18) Male O-Ring
Height: 13 15/16" (354mm)	

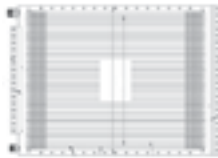
Part No: 1599119



Parallel Flow

Length: 29 5/8" (752.4mm)	Inlet: No. 8 (3/4"-16) Male O-Ring
Thickness: 13/16" (20.2mm)	Outlet: No. 6 (5/8"-18) Male O-Ring
Height: 19 1/2" (495.3mm)	International Cross Reference No: ZGG707107
Mack Cross Reference No: R9727	

Part No: 1599120



Parallel Flow

Length: 19 5/16" (491mm)	Inlet: No. 8 (3/4"-16) Male O-Ring
Thickness: 11/16" (18mm)	Outlet: No. 6 (5/8"-18) Male O-Ring
Height: 14" (355.6mm)	

Part No: 1599121



Parallel Flow

Length: 24" (610mm)	Inlet: No. 8 (3/4"-16) Male O-Ring
Thickness: 13/16" (20.2mm)	Outlet: No. 6 (5/8"-18) Male O-Ring
Height: 15 1/2" (394mm)	

Part No: 1599122



Parallel Flow

Length: 37 3/8" (950mm)	Inlet: No. 8 (3/4"-16) Male O-Ring
Thickness: 13/16" (20.2mm)	Outlet: No. 6 (5/8"-18) Male O-Ring
Height: 23 5/8" (600mm)	

Part No: 1599123



Parallel Flow


Length: 20" (508mm)	Inlet: No. 8 (3/4"-16) Male O-Ring
Thickness: 11/16" (18mm)	Outlet: No. 6 (5/8"-18) Male O-Ring
Height: 11 1/16" (282mm)	


Part No: 1599124





Parallel Flow


Length: 27 5/16" (694mm)	Inlet: No. 8 (3/4"-16) Male O-Ring
Thickness: 11/16" (18mm)	Outlet: No. 6 (5/8"-18) Male O-Ring
Height: 12" (304.8mm)	


Part No: 1599125	
	
Parallel Flow	
Length: 30" (762mm)	Inlet: No. 8 (3/4"-16) Male O-Ring
Thickness: 11/16" (18mm)	Outlet: No. 6 (5/8"-18) Male O-Ring
Height: 15 7/8" (404mm)	


Part No: 1599126	
	
Parallel Flow	
Length: 29 5/16" (745mm)	Inlet: No. 8 (3/4"-16) Male O-Ring
Thickness: 11/16" (18mm)	Outlet: No. 6 (5/8"-18) Male O-Ring
Height: 15 7/8" (404mm)	

Part No: 1599127	
	
Parallel Flow	
Length: 26 5/16" (669mm)	Inlet: No. 8 (3/4"-16) Male O-Ring
Thickness: 11/16" (18mm)	Outlet: No. 6 (5/8"-18) Male O-Ring
Height: 13 1/2" (343mm)	

Part No: 1599128	
	
Parallel Flow	
Length: 26 5/16" (669mm)	Inlet: No. 8 (3/4"-16) Male O-Ring
Thickness: 11/16" (18mm)	Outlet: No. 6 (5/8"-18) Male O-Ring
Height: 14 1/4" (362mm)	

Part No: 1599129	
	
Parallel Flow	
Length: 25" (635mm)	Inlet: No. 8 (3/4"-16) Male O-Ring
Thickness: 11/16" (18mm)	Outlet: No. 6 (5/8"-18) Male O-Ring
Height: 14 15/16" (380mm)	

Part No: 1599130	
	
Parallel Flow	
Length: 23 13/16" (604.4mm)	Inlet: Pad Fitting
Thickness: 13/16" (20.2mm)	Outlet: Pad Fitting
Height: 14 7/8" (377.8mm)	

Part No: 1599131	
	
Serpentine	
Length: 36" (914.4mm)	Inlet: No. 8 (3/4"-16) Male O-Ring
Thickness: 1 3/16" (30mm)	Outlet: No. 6 (5/8"-18) Male O-Ring
Height: 20 13/16" (529mm)	

Multi-Flow Condensers

Condenser Mount & Service Kits

Part No: 1599100



International Cross
Reference No:
ZGH733092

Volvo Cross Reference
No: BSM629007

Freightliner Cross Reference No: RDH RD5 5403 3

General Specifications: Universal mounting bracket,
including mounting channels, brackets and hardware.

Multi-Flow Condensers

The Multi-Flow design was created to make a very efficient condensing unit in a compact yet sturdy package. The first all-aluminum multi-flow condenser provides quality and innovation that marked the initial launch of this remarkable product. All the multi-flow condensers are USA made with all the skill and quality of American labor and materials under exacting quality and performance standards.


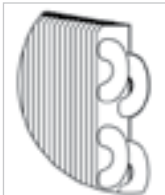


- **22mm design** - Gives you 33% more capacity when compared to traditional 16mm condenser of the same length and width
- **Thin Cross Tube Profile** - Decrease air resistance for improved engine cooling
- **Louvered Fins** - designed to provide heat transfer due to improved airflow
- **Patented End Tanks** - manufactured from a specially designed one-piece extrusion for extra strength and durability
- **Zinc Coating** - on the fins and cross flow tubes to improve corrosion resistance and maintain superior heat exchange capability
- **Nocolok Oven Brazing** - Patented process in which all aluminum parts are oven brazed to create homogenous assembly with joints that are leak free and reliable
- **Unitized construction** - A special fin support plate at the top and bottom bolsters structural integrity
- **Pre-punched side mounting flanges** - for mounting ease and flexibility



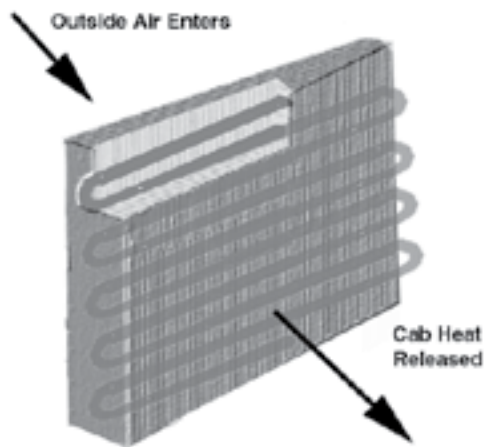
Flexible and Rugged

The compact design, high-heat transfer capability and side mounting flanges combine to make a very versatile unit to fit a wide variety of applications. Since one unit can fit a variety of vehicles, your inventory investment can go way down and still maintain more than adequate coverage. The performance of this condenser also offers advantages in terms of cooling capability over an equivalent size drop-in replacement given the same operating conditions. The robust construction ensures that the unit will stay on the vehicle for years in good operating condition with no "come-backs" to worry about.

Typical Header Types

Type 1	Type 2	Type 3	Type 4
			
SERPENTINE	TUBE AND FIN	GRILLDENSER	PARALLEL FLOW
<p>Continuous extruded aluminum tube, 3/4 to 2 inches thick. The fin is either Skyve type or vacuum brazed ribbon type spaced approximately 14 fins per inch. High heat rejection, compact size exact OEM replacements.</p>	<p>Constructed with .008 thick aluminum corrugated fin 3/4 to 2 1/2 inches thick. Fin spacing at 10 to 12 fins per inch providing maximum heat rejection. Tubes are either copper or aluminum.</p>	<p>Constructed with .030 to .050 thick aluminum, fins are 3/4 inch thick. Fins are spaced at 2 to 4 fins per inch providing minimal air flow restriction. Tubes are either .035 inches wall aluminum or .022 inches wall copper.</p>	<p>Constructed with tube assemblies connecting to a common tank at both ends of the condenser. Commonly found in smaller, newer R-134a vehicles with limited air flow. Offers superior heat rejection.</p>

Service Tips



Condenser

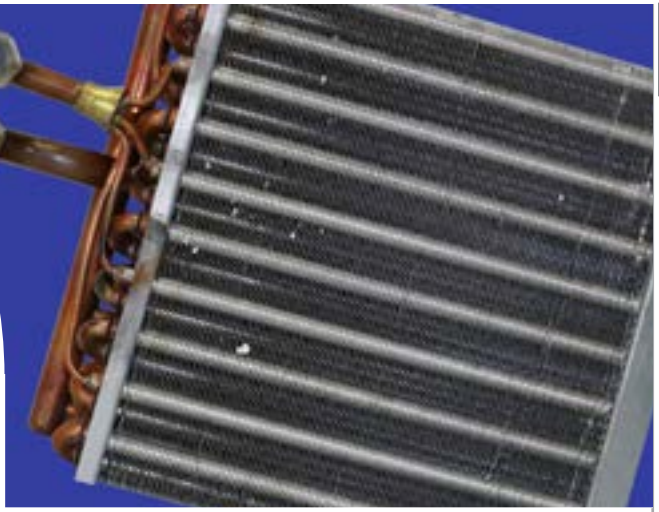
The condenser is designed to exchange heat. Heat is released outside the cab by the condenser.

Condenser Coil Service Tips	
Condenser Location	The condenser is located on the high-pressure side of the system, in front of the radiator.
Coil Fins	Make sure the coil fins are clean and free of debris and obstructions.
Inspect for Damage	Inspect for abrasions or damaged tubing. Straighten bent fins with fin comb.
Operating Temperature	With the system running the condenser will be hot to the touch.
Ensure Operability	Ensure the condenser fan is operable.
Temperature Change — Inlet to Outlet	The condenser will achieve a 15° - 30°C temperature decrease from inlet to outlet.
Tip	Air flow should hold shop rag onto the condenser coil.



KYSOR
by Bergstrom.

*Air Conditioning & Heating
Replacement Parts*



Evaporators

Evaporator Coils	376
Evaporator Coil Specifications	376
Service Tips	386

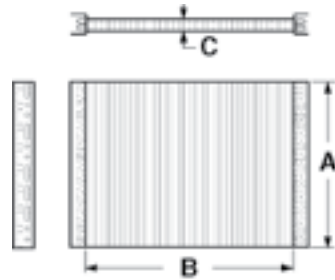


BUS

Availability of the products shown in this catalog is subject to change without notice by Bergstrom, Inc. For the most current product information please visit the Kysor distributor website at <https://parts.kysorhvac.com/>.

Call: 800.499.6849 for Technical Assistance

Evaporator Coils


Legend:

A = Height

B = Length

C = Width

Evaporator Coil Specifications

Height (A) †	Length (B) ‡	Width (C) *	Inlet	Outlet	Part No
5" (127mm)	18 5/8" (473mm)	1 3/4" (44.4mm)	#8 Male O-Ring	#8 Male O-Ring	1675006
5" (127mm)	19" (483mm)	2 5/8" (66.6mm)	#8 Male O-Ring	#8 Male O-Ring	1675015
6" (152.4mm)	18 5/8" (473mm)	2 1/2" (63.5mm)	#8 Male O-Ring	#8 Male O-Ring	1617005
6" (152.4mm)	19 1/2" (495.3mm)	2 1/2" (63.5mm)	#8 Male O-Ring	#8 Male O-Ring	1675005
6" (152.4mm)	12 1/8" (308mm)	2 1/2" (63.5mm)	#8 Male O-Ring	#8 Male O-Ring	1675019
6" (152.4mm)	30" (762mm)	3 1/2" (88.9mm)	#8 Male O-Ring	#8 Male O-Ring	1675022
6" (152.4mm)	19 1/2" (495.3mm)	2 1/2" (63.5mm)	#8 Male O-Ring	#8 Male O-Ring	1675026
6 3/4" (171.5mm)	12 1/16" (306mm)	2 9/16" (65mm)	#8 Bead	#12 Bead into TXV	1613011
6 3/4" (171.5mm)	8 7/8" (225.4mm)	3" (76.2mm)	#8 Female O-Ring	#10 Bead with Internally Equalized Expansion Valve	1617015
6 15/16" (176.2mm)	8 3/4" (222.3mm)	2 7/8" (73mm)	M20 Female O-Ring	#10 Male O-Ring	1617011
7" (177.8mm)	10 3/8" (263.5mm)	2 5/8" (66.6mm)	Volvo Pad	Volvo Pad with TXV	1615012
7 1/8" (181mm)	8 1/8" (206.4mm)	2 1/4" (57.2mm)	Freightliner Pad	Freightliner Pad	1612011
7 3/16" (182.5mm)	9 1/4" (235mm)	2 5/16" (58.7mm)	with TXV	with TXV	1613010
8" (203.2mm)	11 3/4" (298.5mm)	3 1/8" (79.4mm)	#8 Male O-Ring	#8 Male O-Ring	1614002
8" (203.2mm)	12 3/16" (309.63mm)	3 1/8" (79.4mm)	#8 Male O-Ring	#8 Male O-Ring	1614003
8" (203.2mm)	12 3/16" (309.6mm)	3 1/8" (79.4mm)	#8 Male O-Ring	#8 Male O-Ring	1614004
8" (203.2mm)	7 7/8" (200.2mm)	2 1/2" (63.5mm)	#8 Male O-Ring	#8 Male O-Ring	1614005
8" (203.2mm)	7 7/8" (200.2mm)	3 1/8" (79.4mm)	#8 Male O-Ring	#8 Male O-Ring	1614006
8" (203.2mm)	12 1/4" (311.15mm)	3 1/8" (79.4mm)	#8 Male O-Ring	#8 Male O-Ring	1614008
8" (203.2mm)	14 3/4" (374.7mm)	2 1/2" (63.5mm)	#8 Female O-Ring	#10 Male O-Ring	1614009
8" (203.2mm)	12 3/16" (309.6mm)	3 1/8" (79.4mm)	Bead Fitting	Bead Fitting	1614010
8" (203.2mm)	8 1/4" (209.6mm)	3 1/8" (79.4mm)	#8 Male O-Ring	#8 Male O-Ring	1615003
8" (203.2mm)	18 9/16" (471.4mm)	2 1/2" (63.5mm)	#8 Male O-Ring	#8 Male O-Ring	1617006
8" (203.2mm)	9 1/4" (235mm)	5 1/8" (130mm)	#8 Male O-Ring	#8 Male O-Ring	1675002
8" (203.2mm)	14 1/8" (358.5mm)	2 1/2" (63.5mm)	#8 Male O-Ring	#8 Male O-Ring	1675010
8" (203.2mm)	13 5/16" (338.2mm)	3" (76.2mm)	#8 Male O-Ring	#8 Male O-Ring	1675003
8" (203.2mm)	17 1/2" (445mm)	3 1/8" (79.4mm)	#8 Male O-Ring	#8 Male O-Ring	1675016
8" (203.2mm)	17 3/4" (450.8mm)	1 7/8" (47.6mm)	#8 Male O-Ring	#8 Male O-Ring	1675017
8" (203.2mm)	25 1/2" (647.7mm)	3 1/2" (88.9mm)	#8 Male O-Ring	#8 Male O-Ring	1675020
8" (203.2mm)	13" (330.2mm)	2 1/2" (63.5mm)	#8 Male O-Ring	#8 Male O-Ring	1675028
8" (203.2mm)	8" (203.2mm)	3 1/8" (79.4mm)	#8 Male O-Ring	#8 Male O-Ring	1699002
8" (203.2mm)	14 9/16" (369.1mm)	3 1/8" (79.4mm)	#8 Male O-Ring	#8 Male O-Ring	1699004
8" (203.2mm)	27 1/8" (689mm)	1 7/8" (47.6mm)	#8 Male O-Ring	#8 Male O-Ring	1699009
8 1/16" (205mm)	11 1/8" (282.5mm)	2 3/8" (60.3mm)	Bead Fitting	Bead Fitting	1613009
8 1/8" (206mm)	15 1/16" (382.2mm)	3 7/16" (87.3mm)	-	-	1699013
8 5/16" (211mm)	8" (203.2mm)	2 1/4" (58mm)	#8 Bead	#10 Bead	1617010
8 7/16" (214mm)	11 15/16" (304.1mm)	1 5/8" (42mm)	Bead Fitting	Bead Fitting	1617018

Evaporator Coil Specifications

Height (A) †	Length (B) ‡	Width (C) *	Inlet	Outlet	Part No
8 1/2" (216mm)	11 7/8" (301.5mm)	1 1/2" (38.1mm)	#8 Male O-Ring	#10 Male O-Ring	1617017
9" (228.6mm)	5 7/16" (61.9mm)	4 3/8" (111.1mm)	#8 Male O-Ring	#10 Male O-Ring	1612006
9" (228.6mm)	10 13/16" (274.6mm)	1 7/8" (47.6mm)	#8 Male O-Ring	#8 Male O-Ring	1675013
9" (228.6mm)	12 9/16" (319mm)	4 3/8" (111.3mm)	#8 Male O-Ring	#8 Male O-Ring	1699006
9 1/4" (235mm)	12 1/8" (307.5mm)	2 9/16" (65.1mm)	#8 Male O-Ring	#8 Male O-Ring	1618011
9 1/2" (241.3mm)	10 3/8" (263.5mm)	2 1/2" (63.5mm)	with TXV EGELHOF 327309	with TXV EGELHOF 327309	1612018
9 7/8" (250.8mm)	9" (228.6mm)	3 1/8" (79.4mm)	#8 Male O-Ring	#10 Male O-Ring	1615008
10" (254mm)	13" (330.2mm)	2 9/16" (65mm)	#8 Male O-Ring	#10 Male O-Ring	1613007
10" (254mm)	13" (330.2mm)	2 9/16" (66mm)	#8 Bead	#8 Bead	1613012
10" (254mm)	8 1/2" (215.9mm)	2 9/16" (65.2mm)	Bead Fitting	Bead Fitting	1614007
10" (254mm)	10" (254mm)	2 5/8" (66.6mm)	#8 Male O-Ring	#8 Male O-Ring	1615010
10" (254mm)	10" (254mm)	2 19/32" (66mm)	#8 Male O-Ring	#8 Male O-Ring	1615011
10" (254mm)	7 5/8" (193.6mm)	3" (76.2mm)	#8 Male O-Ring	#8 Male O-Ring	1617007
10" (254mm)	8 1/2" (215.9mm)	2 9/16" (65.2mm)	#8 Bead	#8 Bead	1617009
10" (254mm)	10 11/16" (271.5mm)	3 1/8" (79.4mm)	#8 Male O-Ring	#8 Male O-Ring	1618002
10" (254mm)	7 11/16" (195.4mm)	2 1/2" (63.5mm)	#10 Male O-Ring	#8 Male O-Ring	1618005
10" (254mm)	9 7/16" (241mm)	2 1/2" (63.5mm)	#8 Male O-Ring	#8 Male O-Ring	1675001
10" (254mm)	36" (914.4mm)	3 1/2" (88.9mm)	#8 Male O-Ring	#8 Male O-Ring	1675021
10" (254mm)	10 3/4" (273mm)	3 1/8" (79.4mm)	Bead Fitting	Bead Fitting	1699005
10 3/8" (263.5mm)	8 3/8" (212.7mm)	2 9/16" (65mm)	Freightliner Pad	Freightliner Pad	1612012
10 1/2" (266.7mm)	16 1/8" (410mm)	4 5/16" (109.5mm)	#10 Male O-Ring	#10 Male O-Ring	1630001
11" (279.4mm)	9" (228.6mm)	2 1/2" (63.5mm)	#8 Female O-Ring	#12 Male O-Ring	1613001
11" (279.4mm)	9" (228.6mm)	2 5/8" (66.7mm)	#8 Female O-Ring	#12 Male O-Ring	1613002
11" (279.4mm)	10 7/16" (265.1mm)	2 5/8" (66.7mm)	#8 Male O-Ring	#10 Male O-Ring	1617013
11" (279.4mm)	10 7/16" (265.1mm)	11" (279.4mm)	#8 Male O-Ring	#10 Male O-Ring	1617014
12" (304.8mm)	6 1/2" (165.1mm)	3 1/8" (79.4mm)	#8 Male O-Ring	#10 Male O-Ring	1612002
12" (304.8mm)	8 7/8" (225.6mm)	1 7/8" (47.6mm)	#8 Male O-Ring	#8 Male O-Ring	1613003
12" (304.8mm)	8 3/8" (212.7mm)	2 1/2" (63.5mm)	#8 Bead	#12 Bead with TXV	1618012
13" (330mm)	11 1/4" (286mm)	1 7/8" (47.6mm)	#8 Female O-Ring	#12 Male O-Ring	1613005
13" (330mm)	11 1/4" (286mm)	1 7/8" (47.6mm)	#8 Female O-Ring	#12 Male O-Ring	1613006

† Height of coil is measured along the fin.

‡ Length of coil is the fin segment between header plates.

* Width is coil dimension; 4 rows of tubes is 2 1/2 inches.



Evaporator Coils

Part No: 1612002



Length: 6 1/2" (165.1mm)
 Width: 3 1/8" (79.4mm)
 Height: 12" (304.8mm)
 Inlet: #8 Male O-Ring
 Outlet: #10 Male O-Ring

Part No: 1612006



Length: 5 7/16" (61.9mm)
 Width: 4 3/8" (111.1mm)
 Height: 9" (228.6mm)
 Inlet: #8 Male O-Ring
 Outlet: #10 Male O-Ring

Part No: 1612011



Length: 8 1/8" (206.4mm)
 Width: 2 1/4" (57.2mm)
 Height: 7 1/8" (181mm)
 Inlet: Freightliner Pad
 Outlet: Freightliner Pad

Part No: 1612012



Length: 8 3/8" (212.7mm)
 Width: 2 9/16" (65mm)
 Height: 10 3/8" (263.5mm)
 Inlet: Freightliner Pad
 Outlet: Freightliner Pad

Part No: 1612018



Length: 10 3/8" (263.5mm)
 Width: 2 1/2" (63.5mm)
 Height: 9 1/2" (241.3mm)
 Inlet: with TXV EGELHOF 327309
 Outlet: with TXV EGELHOF 327309

Part No: 1613001



Length: 9" (228.6mm)
 Width: 2 1/2" (63.5mm)
 Height: 11" (279.4mm)
 Inlet: #8 Female O-Ring
 Outlet: #12 Male O-Ring

Part No: 1613002



Length: 9" (228.6mm)
 Width: 2 5/8" (66.7mm)
 Height: 11" (279.4mm)
 Inlet: #8 Female O-Ring
 Outlet: #12 Male O-Ring

Part No: 1613003



Length: 8 7/8" (225.6mm)
 Width: 1 7/8" (47.6mm)
 Height: 12" (304.8mm)
 Inlet: #8 Male O-Ring
 Outlet: #8 Male O-Ring

Part No: 1613005



Length: 11 1/4" (286mm)
 Width: 1 7/8" (47.6mm)
 Height: 13" (330mm)
 Inlet: #8 Female O-Ring
 Outlet: #12 Male O-Ring

Part No: 1613006



Length: 11 1/4" (286mm)
 Width: 1 7/8" (47.6mm)
 Height: 13" (330mm)
 Inlet: #8 Female O-Ring
 Outlet: #12 Male O-Ring

Part No: 1613007



Length: 13" (330.2mm)
 Width: 2 9/16 (65mm)
 Height: 10" (254mm)
 Inlet: #8 Male O-Ring
 Outlet: #10 Male O-Ring

Part No: 1613009



Length: 11 1/8" (282.5mm)
 Width: 2 3/8" (60.3mm)
 Height: 8 1/16" (205mm)
 Inlet: Bead Fitting
 Outlet: Bead Fitting

Part No: 1613010



Length: 9 1/4" (235mm)
 Width: 2 5/16" (58.7mm)
 Height: 7 3/16" (182.5mm)
 Inlet: with TXV
 Outlet: with TXV

Part No: 1613011



Length: 12 1/16" (306mm)
 Width: 2 9/16" (65mm)
 Height: 6 3/4" (171.5mm)
 Inlet: #8 Bead
 Outlet: #12 Bead into TXV

Part No: 1613012



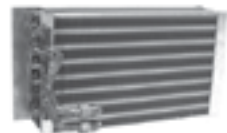
Length: 13" (330.2mm)
 Width: 2 9/16" (66mm)
 Height: 10" (254mm)
 Inlet: #8 Bead
 Outlet: #8 Bead

Part No: 1614002



Length: 11 3/4" (298.5mm)
 Width: 3 1/8" (79.4mm)
 Height: 8" (203.2mm)
 Inlet: #8 Male O-Ring
 Outlet: #8 Male O-Ring

Part No: 1614003



Length: 12 3/16" (309.63mm)
 Width: 3 1/8" (79.4mm)
 Height: 8" (203.2mm)
 Inlet: #8 Male O-Ring
 Outlet: #8 Male O-Ring

Part No: 1614004



Length: 12 3/16" (309.6mm)
 Width: 3 1/8" (79.4mm)
 Height: 8" (203.2mm)
 Inlet: #8 Male O-Ring
 Outlet: #8 Male O-Ring



Evaporator Coils

Part No: 1614005


Length: 7 7/8" (200.2mm)

Width: 2 1/2" (63.5mm)

Height: 8" (203.2mm)

Inlet: #8 Male O-Ring

Outlet: #8 Male O-Ring

Part No: 1614006


Length: 7 7/8" (200.2mm)

Width: 3 1/8" (79.4mm)

Height: 8" (203.2mm)

Inlet: #8 Male O-Ring

Outlet: #8 Male O-Ring

Part No: 1614007


Length: 8 1/2" (215.9mm)

Width: 2 9/16" (65.2mm)

Height: 10" (254mm)

Inlet: Bead Fitting

Outlet: Bead Fitting

Part No: 1614008


Length: 12 1/4" (311.15mm)

Width: 3 1/8" (79.4mm)

Height: 8" (203.2mm)

Inlet: #8 Male O-Ring

Outlet: #8 Male O-Ring

Part No: 1614009

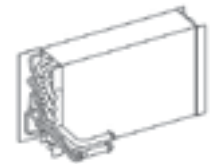

Length: 14 3/4" (374.7mm)

Width: 2 1/2" (63.5mm)

Height: 8" (203.2mm)

Inlet: #8 Female O-Ring

Outlet: #10 Male O-Ring

Part No: 1614010


Length: 12 3/16" (309.6mm)

Width: 3 1/8" (79.4mm)

Height: 8" (203.2mm)

Inlet: Bead Fitting

Outlet: Bead Fitting

Part No: 1615003


Length: 8 1/4" (209.6mm)

Width: 3 1/8" (79.4mm)

Height: 8" (203.2mm)

Inlet: #8 Male O-Ring

Outlet: #8 Male O-Ring

Part No: 1615008


Length: 9" (228.6mm)

Width: 3 1/8" (79.4mm)

Height: 9 7/8" (250.8mm)

Inlet: #8 Male O-Ring

Outlet: #10 Male O-Ring

Part No: 1615010


Length: 10" (254mm)

Width: 2 5/8" (66.6mm)

Height: 10" (254mm)

Inlet: #8 Male O-Ring

Outlet: #8 Male O-Ring

Part No: 1615011



Length: 10" (254mm)
Width: 2 19/32" (66mm)
Height: 10" (254mm)
Inlet: #8 Male O-Ring
Outlet: #8 Male O-Ring

Part No: 1615012



Length: 10 3/8" (263.5mm)
Width: 2 5/8" (66.6mm)
Height: 7" (177.8mm)
Inlet: Volvo Pad
Outlet: Volvo Pad with TXV

Part No: 1617005



Length: 18 5/8" (473mm)
Width: 2 1/2" (63.5mm)
Height: 6" (152.4mm)
Inlet: #8 Male O-Ring
Outlet: #8 Male O-Ring

Part No: 1617006



Length: 18 9/16" (471.4mm)
Width: 2 1/2" (63.5mm)
Height: 8" (203.2mm)
Inlet: #8 Male O-Ring
Outlet: #8 Male O-Ring

Part No: 1617007



Length: 7 5/8" (193.6mm)
Width: 3" (76.2mm)
Height: 10" (254mm)
Inlet: #8 Male O-Ring
Outlet: #8 Male O-Ring

Part No: 1617009



Length: 8 1/2" (215.9mm)
Width: 2 9/16" (65.2mm)
Height: 10" (254mm)
Inlet: #8 Bead
Outlet: #8 Bead

Part No: 1617010




Length: 8" (203.2mm)
Width: 2 1/4" (58mm)
Height: 8 5/16" (211mm)
Inlet: #8 Bead
Outlet: #10 Bead

Part No: 1617011



Length: 8 3/4" (222.3mm)
Width: 2 7/8" (73mm)
Height: 6 15/16" (176.2mm)
Inlet: M20 Female O-Ring
Outlet: #10 Male O-Ring

Part No: 1617013

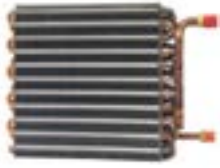


Length: 10 7/16" (265.1mm)
Width: 2 5/8" (66.7mm)
Height: 11" (279.4mm)
Inlet: #8 Male O-Ring
Outlet: #10 Male O-Ring

EVAPORATORS



Evaporator Coils

Part No: 1617014


Length: 10 7/16" (265.1mm)

Width: 11" (279.4mm)

Height: 11" (279.4mm)

Inlet: #8 Male O-Ring

Outlet: #10 Male O-Ring

Part No: 1617015


Length: 8 7/8" (225.4mm)

Width: 3" (76.2mm)

Height: 6 3/4" (171.5mm)

Inlet: #8 Female O-Ring

Outlet: #10 Bead with Internally Equalized Expansion Valve

Part No: 1617017


Length: 11 7/8" (301.5mm)

Width: 1 1/2" (38.1mm)

Height: 8 1/2" (216mm)

Inlet: #8 Male O-Ring

Outlet: #10 Male O-Ring

Part No: 1617018


Length: 11 15/16" (304.1mm)

Width: 1 5/8" (42mm)

Height: 8 7/16" (214mm)

Inlet: Bead Fitting

Outlet: Bead Fitting

Part No: 1618002


Length: 10 11/16" (271.5mm)

Width: 3 1/8" (79.4mm)

Height: 10" (254mm)

Inlet: #8 Male O-Ring

Outlet: #8 Male O-Ring

Part No: 1618005


Length: 7 11/16" (195.4mm)

Width: 2 1/2" (63.5mm)

Height: 10" (254mm)

Inlet: #10 Male O-Ring

Outlet: #8 Male O-Ring

Part No: 1618011


Length: 12 1/8" (307.5mm)

Width: 2 9/16" (65.1mm)

Height: 9 1/4" (235mm)

Inlet: #8 Male O-Ring

Outlet: #8 Male O-Ring

Part No: 1618012


Length: 8 3/8" (212.7mm)

Width: 2 1/2" (63.5mm)

Height: 12" (304.8mm)

Inlet: #8 Bead

Outlet: #12 Bead with TXV

Part No: 1630001


Length: 16 1/8" (410mm)

Width: 4 5/16" (109.5mm)

Height: 10 1/2" (266.7mm)

Inlet: #10 Male O-Ring

Outlet: #10 Male O-Ring

Part No: 1675001



Length: 9 7/16" (241mm)

Width: 2 1/2" (63.5mm)

Height: 10" (254mm)

Inlet: #8 Male O-Ring

Outlet: #8 Male O-Ring

Part No: 1675002



Length: 9 1/4" (235mm)

Width: 5 1/8" (130mm)

Height: 8" (203.2mm)

Inlet: #8 Male O-Ring

Outlet: #8 Male O-Ring

Part No: 1675003



Length: 13 5/16" (338.2mm)

Width: 3" (76.2mm)

Height: 8" (203.2mm)

Inlet: #8 Male O-Ring

Outlet: #8 Male O-Ring

Part No: 1675005



Length: 19 1/2" (495.3mm)

Width: 2 1/2" (63.5mm)

Height: 6" (152.4mm)

Inlet: #8 Male O-Ring

Outlet: #8 Male O-Ring

Part No: 1675006



Length: 18 5/8" (473mm)

Width: 1 3/4" (44.4mm)

Height: 5" (127mm)

Inlet: #8 Male O-Ring

Outlet: #8 Male O-Ring

Part No: 1675010



Length: 14 1/8" (358.5mm)

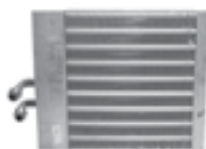
Width: 2 1/2" (63.5mm)

Height: 8" (203.2mm)

Inlet: #8 Male O-Ring

Outlet: #8 Male O-Ring

Part No: 1675013



Length: 10 13/16" (274.6mm)

Width: 1 7/8" (47.6mm)

Height: 9" (228.6mm)

Inlet: #8 Male O-Ring

Outlet: #8 Male O-Ring

Part No: 1675015



Length: 19" (483mm)

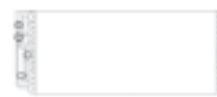
Width: 2 5/8" (66.6mm)

Height: 5" (127mm)

Inlet: #8 Male O-Ring

Outlet: #8 Male O-Ring

Part No: 1675016



Length: 17 1/2" (445mm)

Width: 3 1/8" (79.4mm)

Height: 8" (203.2mm)

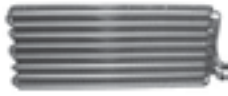
Inlet: #8 Male O-Ring

Outlet: #8 Male O-Ring



Evaporator Coils

Part No: 1675017



Length: 17 3/4" (450.8mm)

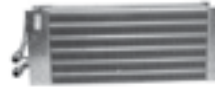
Width: 1 7/8" (47.6mm)

Height: 8" (203.2mm)

Inlet: #8 Male O-Ring

Outlet: #8 Male O-Ring

Part No: 1675019



Length: 12 1/8" (308mm)

Width: 2 1/2" (63.5mm)

Height: 6" (152.4mm)

Inlet: #8 Male O-Ring

Outlet: #8 Male O-Ring

Part No: 1675020



Length: 25 1/2" (647.7mm)

Width: 3 1/2" (88.9mm)

Height: 8" (203.2mm)

Inlet: #8 Male O-Ring

Outlet: #8 Male O-Ring

Part No: 1675021



Length: 36" (914.4mm)

Width: 3 1/2" (88.9mm)

Height: 10" (254mm)

Inlet: #8 Male O-Ring

Outlet: #8 Male O-Ring

Part No: 1675022



Length: 30" (762mm)

Width: 3 1/2" (88.9mm)

Height: 6" (152.4mm)

Inlet: #8 Male O-Ring

Outlet: #8 Male O-Ring

Part No: 1675026



Length: 19 1/2" (495.3mm)

Width: 2 1/2" (63.5mm)

Height: 6" (152.4mm)

Inlet: #8 Male O-Ring

Outlet: #8 Male O-Ring

Part No: 1675028



Length: 13" (330.2mm)

Width: 2 1/2" (63.5mm)

Height: 8" (203.2mm)

Inlet: #8 Male O-Ring

Outlet: #8 Male O-Ring

Part No: 1699002



Length: 8" (203.2mm)

Width: 3 1/8" (79.4mm)

Height: 8" (203.2mm)

Inlet: #8 Male O-Ring

Outlet: #8 Male O-Ring

Part No: 1699004



Length: 14 9/16" (369.1mm)

Width: 3 1/8" (79.4mm)

Height: 8" (203.2mm)

Inlet: #8 Male O-Ring

Outlet: #8 Male O-Ring

Part No: 1699005



Length: 10 3/4" (273mm)

Width: 3 1/8" (79.4mm)

Height: 10" (254mm)

Inlet: Bead Fitting

Outlet: Bead Fitting

Part No: 1699006



Length: 12 9/16" (319mm)

Width: 4 3/8" (111.3mm)

Height: 9" (228.6mm)

Inlet: #8 Male O-Ring

Outlet: #8 Male O-Ring

Part No: 1699009



Length: 27 1/8" (689mm)

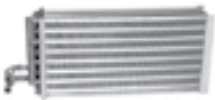
Width: 1 7/8" (47.6mm)

Height: 8" (203.2mm)

Inlet: #8 Male O-Ring

Outlet: #8 Male O-Ring

Part No: 1699013



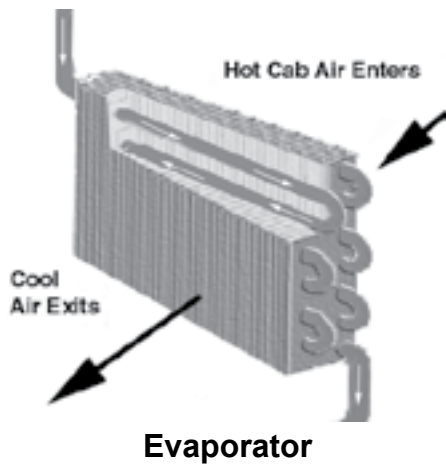
Length: 15 1/16" (382.2mm)

Width: 3 7/16" (87.3mm)

Height: 8 1/8" (206mm)



Evaporator Service Tips



The evaporator is designed to exchange heat. Heat is removed from the cab by the evaporator.

Evaporator Coil Service Tips	
Evaporator Location	The evaporator is located on the low-pressure side.
Coil Fins	Make sure the coil fins are clean and free of debris and obstructions.
Inspect for Damage	Inspect for abrasions or damaged tubing. Straighten bent fins with fin comb.
Operating Temperature	With the system running the evaporator will be cold to the touch.
Ensure Operability	Make sure the blower motor is operable.
Tip	A frosty evaporator may indicate a faulty thermostat. Check recirculation filter for cleanliness, a clogged recirculation filter will impede HVAC performance.

Notes

EVAPORATORS





KYSOR
by Bergstrom.

*Air Conditioning & Heating
Replacement Parts*



Heater Cores

Heater Cores	388
Heater Core Specifications	388
Service Tips	402



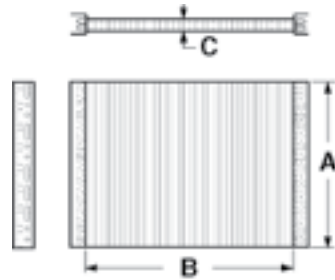
BUS



Availability of the products shown in this catalog is subject to change without notice by Bergstrom, Inc. For the most current product information please visit the Kysor distributor website at <https://parts.kysorhvac.com/>.

Call: 800.499.6849 for Technical Assistance

Heater Cores


Legend:

A = Height
 B = Length
 C = Width

Heater Core Specifications

Height (A)†	Length (B)‡	Width (C)*	Inlet	Outlet	Part No
4" (101.6mm)	8 9/16" (217.4mm)	3" (76.2mm)	1" O.D.	1" O.D.	1799036
4 1/8" (105mm)	8 1/16" (205mm)	2" (50.8mm)	3/8" Female NPT	5/8" O.D.	1713006
4 1/8" (105mm)	8 1/16" (205mm)	2" (50.8mm)	5/8" O.D.	5/8" O.D.	1799066
5" (127mm)	18 7/8" (479mm)	1 1/4" (31.8mm)	5/8" O.D.	5/8" O.D.	1775011
5" (127mm)	4 5/8" (118mm)	2 1/2" (63.5mm)	5/8" O.D.	5/8" O.D.	1799030
6" (152.4mm)	6 3/8" (161.9mm)	1 5/8" (41.3mm)	5/8" O.D.	5/8" O.D.	1712008
6" (152.4mm)	10 7/16" (265mm)	1 5/8" (41.3mm)	PAD	PAD	1713012
6" (152.4mm)	10" (254mm)	2 1/2" (63.5mm)	5/8" O.D.	5/8" O.D.	1715008
6" (152.4mm)	19 3/4" (501.6mm)	1 7/8" (47.6mm)	5/8" O.D.	5/8" O.D.	1717002
6" (152.4mm)	16 1/4" (412.8mm)	2 1/2" (63.5mm)	5/8" O.D.	5/8" O.D.	1717004
6" (152.4mm)	16 1/4" (412.8mm)	2 1/2" (63.5mm)	5/8" O.D.	5/8" O.D.	1717016
6" (152.4mm)	7 9/16" (193mm)	1 7/8" (47.6mm)	3/8" NPT	3/8" NPT	1775001
6" (152.4mm)	12 1/2" (317.5mm)	1 7/8" (47.6mm)	5/8" O.D.	5/8" O.D.	1775009
6" (152.4mm)	12 1/8" (308mm)	1 7/8" (47.6mm)	5/8" O.D.	5/8" O.D.	1775013
6" (152.4mm)	12 1/2" (317.5mm)	2 9/16" (65mm)	5/8" O.D.	5/8" O.D.	1799040
7" (177.8mm)	11 13/16" (300mm)	1 5/8" (41.3mm)	5/8" O.D.	3/4" O.D.	1713010
7" (177.8mm)	8 1/4" (209.6mm)	2 1/2" (63.5mm)	5/8" O.D.	5/8" O.D.	1715002
7" (177.8mm)	7 39/64" (193.04mm)	1 7/8" (47.6mm)	1" O.D.	1" O.D.	1799057
7 1/8" (181mm)	11 1/8" (282.6mm)	1 5/8" (41.3mm)	PAD	PAD w/ COVER	1712011
7 1/8" (181mm)	15" (381mm)	1 1/2" (38.1mm)	5/8" O.D.	5/8" O.D.	1718006
7 1/8" (181mm)	14 5/8" (371.5mm)	1 1/4" (31.8mm)	Female Bead Conn	Female Bead Conn	1718009
7 7/16" (189mm)	27 1/16" (688mm)	2" (50.8mm)	5/8" O.D.	5/8" O.D.	1799038
7 3/8" (187.3mm)	12 3/8" (314.3mm)	1 1/2" (38.1mm)	3/4" O.D.	3/4 O.D.	1713007
7 1/2" (190.5mm)	10 3/8" (263.5mm)	1 1/2" (38.1mm)	FLANGE	FLANGE	1715009
7 3/4" (196.9mm)	9 1/2" (241.3mm)	2 3/16" (55.5mm)	5/8" O.D.	3/4" O.D.	1713001
7 3/4" (196.9mm)	8 5/8" (219mm)	2" (50.8mm)	3/4" O.D.	3/8" NPT	1799008
7 3/4" (196.8mm)	7 3/16" (182.5mm)	2" (50.8mm)	5/8" O.D.	5/8" O.D.	1799068
8" (203.2mm)	8 15/16" (226.8mm)	1 7/8" (47.6mm)	3/4" O.D.	5/8" O.D.	1713003
8" (203.2mm)	12" (304.8mm)	2 1/2" (63.5mm)	5/8" O.D.	5/8" O.D.	1714004
8" (203.2mm)	12 3/16" (309.6mm)	2 1/2" (63.5mm)	5/8" O.D.	5/8" O.D.	1714005
8" (203.2mm)	7 7/8" (200.2mm)	2 1/2" (63.5mm)	5/8" O.D.	5/8" O.D.	1714006
8" (203.2mm)	7 7/8" (200.2mm)	1 7/8" (47.6mm)	5/8" O.D.	5/8" O.D.	1714007
8" (203.2mm)	18 11/16" (475.5mm)	1 7/8" (47.6mm)	5/8" O.D.	5/8" O.D.	1717005
8" (203.2mm)	12" (304.8mm)	2 1/2" (63.5mm)	5/8" O.D.	5/8" O.D.	1717008
8" (203.2mm)	7 7/8" (200.2mm)	1 3/4" (44.4mm)	5/8" O.D.	5/8" O.D.	1717013
8" (203.2mm)	7 7/8" (200.2mm)	1 3/4" (44.4mm)	3/4" O.D.	3/4" O.D.	1717014
8" (203.2mm)	10 3/4" (273mm)	2 11/16" (68.5mm)	5/8" O.D.	5/8" O.D.	1717015

Heater Core Specifications

Height (A)†	Length (B) ‡	Width (C)*	Inlet	Outlet	Part No
8" (203.2mm)	9 1/16" (230mm)	2 1/2" (63.5mm)	3/8" NPT	3/8" NPT	1775002
8" (203.2mm)	20 1/8" (511.2mm)	3 1/2" (88.9mm)	3/8" NPT	3/8" NPT	1775004
8" (203.2mm)	14 1/8" (358.8mm)	2 1/2" (63.5mm)	5/8" O.D.	5/8" O.D.	1775007
8" (203.2mm)	16" (406.4mm)	2 1/4" (57mm)	5/8" O.D.	5/8" O.D.	1775008
8" (203.2mm)	16" (406.4mm)	1 7/8" (47.6mm)	5/8" O.D.	5/8" O.D.	1775018
8" (203.2mm)	14 1/2" (369mm)	2 1/2" (63.5mm)	5/8" O.D.	5/8" O.D.	1799005
8" (203.2mm)	12 7/16" (315.9mm)	2 9/16" (65mm)	5/8" O.D.	5/8" O.D.	1799009
8" (203.2mm)	5" (128mm)	2 9/16" (65mm)	5/8" O.D.	5/8" O.D.	1799014
8" (203.2mm)	27 1/2" (698.5mm)	3 7/16" (87.3mm)	5/8" O.D.	5/8" O.D.	1799024
8" (203.2mm)	12 3/16" (309.6mm)	1 3/4" (44.4mm)	5/8" O.D.	5/8" O.D.	1799029
8" (203.2mm)	14 9/16" (369.8mm)	2 5/8" (66mm)	5/8" O.D.	1" O.D.	1799035
8 3/4" (222.3mm)	9 1/2" (241.3mm)	1 1/2" (38.1mm)	5/8" O.D.	5/8" O.D.	1712007
8 3/4" (222.3mm)	16 11/16" (423.9mm)	2 3/16" (55.5mm)	5/8" O.D.	5/8" O.D.	1799018
8 15/16" (228mm)	18" (457.2mm)	4 11/16" (119mm)	5/8" O.D.	5/8" O.D.	1799015
8 15/16" (228mm)	18" (457.2mm)	4 5/16" (109.2mm)	5/8" O.D.	1" O.D.	1799071
9" (228.6mm)	5 3/8" (137mm)	4 3/8" (111mm)	3/4" O.D.	3/4" O.D.	1712012
9" (228.6mm)	11 1/16" (281mm)	2" (50.8mm)	3/4" O.D.	1/2" 14 NPT	1713004
10" (254mm)	10" (254mm)	2 1/2" (63.5mm)	3/4" O.D.	3/4" O.D.	1712004
10" (254mm)	9 1/8" (231mm)	1 7/8" (47.6mm)	5/8" O.D.	3/4" O.D.	1713005
10" (254mm)	9 1/8" (231mm)	2 1/2" (63.5mm)	5/8" O.D.	5/8" O.D.	1713009
10" (254mm)	9 1/8" (231mm)	2 1/2" (63.5mm)	5/8" O.D.	3/4" O.D.	1713013
10" (254mm)	7" (177.8mm)	2 1/2" (63.5mm)	5/8" O.D.	5/8" O.D.	1714008
10" (254mm)	9" (228.6mm)	2 1/2" (63.5mm)	5/8" O.D.	5/8" O.D.	1715007
10" (254mm)	7 5/8" (193.6mm)	2 1/2" (63.5mm)	5/8" O.D.	5/8" O.D.	1717006
10" (254mm)	7" (177.8mm)	2 1/2" (63.5mm)	5/8" O.D.	5/8" O.D.	1717011
10" (254mm)	10 11/16" (272.3mm)	1 7/8" (47.6mm)	5/8" O.D.	5/8" O.D.	1718001
10" (254mm)	10 11/16" (272.3mm)	1 7/8" (47.6mm)	5/8" O.D.	5/8" O.D.	1718008
10" (254mm)	20 1/4" (514.4mm)	1 7/8" (47.6mm)	5/8" O.D.	5/8" O.D.	1775017
10" (254mm)	7 1/2" (190.5mm)	2 1/2" (63.5mm)	5/8" O.D.	5/8" O.D.	1799007
10" (254mm)	24 1/16" (611mm)	3 1/2" (88.9mm)	5/8" O.D.	5/8" O.D.	1799010
10" (254mm)	12 5/16" (313mm)	2 5/8" (66mm)	5/8" O.D.	5/8" O.D.	1799012
10" (254mm)	22 5/8" (574mm)	1 3/4" (44.4mm)	5/8" O.D.	5/8" O.D.	1799013
10" (254mm)	30" (762mm)	2 5/8" (66mm)	5/8" O.D.	5/8" O.D.	1799016
10" (254mm)	23 5/16" (592.1mm)	3 1/2" (88.9mm)	5/8" O.D.	5/8" O.D.	1799020
10" (254mm)	20 1/4" (514.4mm)	1 7/8" (47.6mm)	1" O.D.	1" O.D.	1799021
10" (254mm)	7 7/16" (188.9mm)	3 1/8" (79.4mm)	5/8" O.D.	5/8" O.D.	1799023
10" (254mm)	16 15/16" (430mm)	3 15/32" (88mm)	5/8" O.D.	5/8" O.D.	1799026
10" (254mm)	13 13/16" (351mm)	2 9/16" (65mm)	5/8" O.D.	5/8" O.D.	1799027
10" (254mm)	23 5/16" (592.1mm)	1 3/4" (44.4mm)	5/8" O.D.	5/8" O.D.	1799028
10" (254mm)	22 5/8" (574mm)	1 3/4" (44.4mm)	1" O.D.	1" O.D.	1799031
10" (254mm)	12 5/16" (313mm)	2 9/16" (65mm)	1" O.D.	1" O.D.	1799032
10" (254mm)	20 1/2" (520.7mm)	3 7/16" (87.3mm)	1" O.D.	1" O.D.	1799033
10" (254mm)	20 1/2" (520.7mm)	3 7/16" (87.3mm)	1" O.D.	1" O.D.	1799034
10" (254mm)	16 15/16" (430mm)	3 1/2" (88.9mm)	5/8" O.D.	5/8" O.D.	1799037
10" (254mm)	23 5/16" (592.1mm)	3 1/2" (88.9mm)	5/8" O.D.	1" O.D.	1799045

HEATER CORES



Heater Cores

Heater Core Specifications

Height (A)†	Length (B)‡	Width (C)*	Inlet	Outlet	Part No
10" (254mm)	12" (304.8mm)	3 1/2" (88.9mm)	1" O.D.	1" O.D.	1799052
10" (254mm)	11 1/4" (285.8mm)	1 7/8" (47.6mm)	1" O.D.	1" O.D.	1799054
10" (254mm)	16 11/16" (424.2mm)	2 1/2" (63.5mm)	1" O.D.	1" O.D.	1799056
10" (254mm)	8 3/16" (208mm)	2 1/2" (63.5mm)	5/8" O.D.	5/8" O.D.	1799061
10" (254mm)	9 3/4" (247.6mm)	2 1/2" (63.5mm)	5/8" O.D.	5/8" O.D.	1799062
10" (254mm)	22 5/8" (574mm)	3 7/16" (87.3mm)	1" O.D.	1" O.D.	1799064
10" (254mm)	19 3/4" (501.6mm)	2" (50.8mm)	1" O.D.	1" O.D.	1799069
10" (254mm)	23 5/16" (592.1mm)	3 1/2" (88.9mm)	5/8" O.D.	5/8" O.D.	1799072
12" (304.8mm)	12 1/4" (311mm)	2 1/2" (63.5mm)	5/8" O.D.	5/8" O.D.	1799011
12" (304.8mm)	13 1/16" (332mm)	2 9/16" (65mm)	1" O.D.	1" O.D.	1799041
12" (304.8mm)	16 1/2" (419.1mm)	2 1/4" (57mm)	1" O.D.	1" O.D.	1799047
12" (304.8mm)	26 3/4" (679.4mm)	2 1/2" (63.5mm)	1" O.D.	1" O.D.	1799077
13" (330.2mm)	10 3/4" (273mm)	2 9/16" (65mm)	1" O.D.	5/8" O.D.	1799055
14" (355.6mm)	16 9/16" (420.5mm)	3 1/2" (88.9mm)	5/8" O.D.	5/8" O.D.	1799025
14" (355.6mm)	13 49/64" (13.77mm)	3 7/16" (87.3mm)	5/8" O.D.	5/8" O.D.	1799049
14" (355.6mm)	13 3/4" (349.3mm)	3 7/16" (87.3mm)	1" O.D.	1" O.D.	1799050
14" (355.6mm)	13 3/4" (349.3mm)	3 1/2" (88.9mm)	1" O.D.	1" O.D.	1799058
14" (355.6mm)	14 1/2" (369mm)	3 1/2" (88.9mm)	1" O.D.	1" O.D.	1799063
9" (228.6mm)	9 15/16" (252.6mm)	2 1/2" (63.5mm)	5/8" O.D.	5/8" O.D.	1717012 (combo coil)
4" (101.6mm)	28 1/4" (717.6mm)	7/8" (22.2mm)	5/8" O.D.	5/8" O.D.	1775003 (rolled)

* Width is coil dimension; e.g. 4 rows of tubes is 2 1/2 inches.

† Height of coil is measured along the fin.

‡ Length of coil is the fin segment between header plates.

Part No: 1712004



Length: 10" (254mm)

Width: 2 1/2" (63.5mm)

Height: 10" (254mm)

Inlet: 3/4" O.D.

Outlet: 3/4" O.D.

Part No: 1712007



Length: 9 1/2" (241.3mm)

Width: 1 1/2" (38.1mm)

Height: 8 3/4" (222.3mm)

Inlet: 5/8" O.D.

Outlet: 5/8" O.D.

Part No: 1712008



Length: 6 3/8" (161.9mm)

Width: 1 5/8" (41.3mm)

Height: 6" (152.4mm)

Inlet: 5/8" O.D.

Outlet: 5/8" O.D.

Part No: 1712011



Length: 11 1/8" (282.6mm)
 Width: 1 5/8" (41.3mm)
 Height: 7 1/8" (181mm)
 Inlet: PAD
 Outlet: PAD w/ COVER

Part No: 1712012



Length: 5 3/8" (137mm)
 Width: 4 3/8" (111mm)
 Height: 9" (228.6mm)
 Inlet: 3/4" O.D.
 Outlet: 3/4" O.D.

Part No: 1713001



Length: 9 1/2" (241.3mm)
 Width: 2 3/16" (55.5mm)
 Height: 7 3/4" (196.9mm)
 Inlet: 5/8" O.D.
 Outlet: 3/4" O.D.

Part No: 1713003



Length: 8 15/16" (226.8mm)
 Width: 1 7/8" (47.6mm)
 Height: 8" (203.2mm)
 Inlet: 3/4" O.D.
 Outlet: 5/8" O.D.

Part No: 1713004



Length: 11 1/16" (281mm)
 Width: 2" (50.8mm)
 Height: 9" (228.6mm)
 Inlet: 3/4" O.D.
 Outlet: 1/2" 14 NPT

Part No: 1713005



Length: 9 1/8" (231mm)
 Width: 1 7/8" (47.6mm)
 Height: 10" (254mm)
 Inlet: 5/8" O.D.
 Outlet: 3/4" O.D.

Part No: 1713006



Length: 8 1/16" (205mm)
 Width: 2" (50.8mm)
 Height: 4 1/8" (105mm)
 Inlet: 3/8" Female NPT
 Outlet: 5/8" O.D.

Part No: 1713007



Length: 12 3/8" (314.3mm)
 Width: 1 1/2" (38.1mm)
 Height: 7 3/8" (187.3mm)
 Inlet: 3/4" O.D.
 Outlet: 3/4" O.D.

Part No: 1713009



Length: 9 1/8" (231mm)
 Width: 2 1/2" (63.5mm)
 Height: 10" (254mm)
 Inlet: 5/8" O.D.
 Outlet: 5/8" O.D.



Heater Cores

Part No: 1713010



Length: 11 13/16" (300mm)
 Width: 1 5/8" (41.3mm)
 Height: 7" (177.8mm)
 Inlet: 5/8" O.D.
 Outlet: 3/4" O.D.

Part No: 1713012



Length: 10 7/16" (265mm)
 Width: 1 5/8" (41.3mm)
 Height: 6" (152.4mm)
 Inlet: PAD
 Outlet: PAD

Part No: 1713013



Length: 9 1/8" (231mm)
 Width: 2 1/2" (63.5mm)
 Height: 10" (254mm)
 Inlet: 5/8" O.D.
 Outlet: 3/4" O.D.

Part No: 1714004



Length: 12" (304.8mm)
 Width: 2 1/2" (63.5mm)
 Height: 8" (203.2mm)
 Inlet: 5/8" O.D.
 Outlet: 5/8" O.D.

Part No: 1714005



Length: 12 3/16" (309.6mm)
 Width: 2 1/2" (63.5mm)
 Height: 8" (203.2mm)
 Inlet: 5/8" O.D.
 Outlet: 5/8" O.D.

Part No: 1714006



Length: 7 7/8" (200.2mm)
 Width: 2 1/2" (63.5mm)
 Height: 8" (203.2mm)
 Inlet: 5/8" O.D.
 Outlet: 5/8" O.D.

Part No: 1714007



Length: 7 7/8" (200.2mm)
 Width: 1 7/8" (47.6mm)
 Height: 8" (203.2mm)
 Inlet: 5/8" O.D.
 Outlet: 5/8" O.D.

Part No: 1714008



Length: 7" (177.8mm)
 Width: 2 1/2" (63.5mm)
 Height: 10" (254mm)
 Inlet: 5/8" O.D.
 Outlet: 5/8" O.D.

Part No: 1715002



Length: 8 1/4" (209.6mm)
 Width: 2 1/2" (63.5mm)
 Height: 7" (177.8mm)
 Inlet: 5/8" O.D.
 Outlet: 5/8" O.D.

HEATER CORES



Part No: 1715007



Length: 9" (228.6mm)
 Width: 2 1/2" (63.5mm)
 Height: 10" (254mm)
 Inlet: 5/8" O.D.
 Outlet: 5/8" O.D.

Part No: 1715008



Length: 10" (254mm)
 Width: 2 1/2" (63.5mm)
 Height: 6" (152.4mm)
 Inlet: 5/8" O.D.
 Outlet: 5/8" O.D.

Part No: 1715009



Length: 10 3/8" (263.5mm)
 Width: 1 1/2" (38.1mm)
 Height: 7 1/2" (190.5mm)
 Inlet: FLANGE
 Outlet: FLANGE

Part No: 1717002



Length: 19 3/4" (501.6mm)
 Width: 1 7/8" (47.6mm)
 Height: 6" (152.4mm)
 Inlet: 5/8" O.D.
 Outlet: 5/8" O.D.

Part No: 1717004



Length: 16 1/4" (412.8mm)
 Width: 2 1/2" (63.5mm)
 Height: 6" (152.4mm)
 Inlet: 5/8" O.D.
 Outlet: 5/8" O.D.

Part No: 1717005



Length: 18 11/16" (475.5mm)
 Width: 1 7/8" (47.6mm)
 Height: 8" (203.2mm)
 Inlet: 5/8" O.D.
 Outlet: 5/8" O.D.

Part No: 1717006



Length: 7 5/8" (193.6mm)
 Width: 2 1/2" (63.5mm)
 Height: 10" (254mm)
 Inlet: 5/8" O.D.
 Outlet: 5/8" O.D.

Part No: 1717008



Length: 12" (304.8mm)
 Width: 2 1/2" (63.5mm)
 Height: 8" (203.2mm)
 Inlet: 5/8" O.D.
 Outlet: 5/8" O.D.

Part No: 1717011



Length: 7" (177.8mm)
 Width: 2 1/2" (63.5mm)
 Height: 10" (254mm)
 Inlet: 5/8" O.D.
 Outlet: 5/8" O.D.



Heater Cores

Part No: 1717012



Length: 9 15/16" (252.6mm)

Width: 2 1/2" (63.5mm)

Height: 9" (228.6mm)

Inlet: 5/8" O.D.

Outlet: 5/8" O.D.

Part No: 1717013



Length: 7 7/8" (200.2mm)

Width: 1 3/4" (44.4mm)

Height: 8" (203.2mm)

Inlet: 5/8" O.D.

Outlet: 5/8" O.D.

Part No: 1717014



Length: 7 7/8" (200.2mm)

Width: 1 3/4" (44.4mm)

Height: 8" (203.2mm)

Inlet: 3/4" O.D.

Outlet: 3/4" O.D.

Part No: 1717015



Length: 10 3/4" (273mm)

Width: 2 11/16" (68.5mm)

Height: 8" (203.2mm)

Inlet: 5/8" O.D.

Outlet: 5/8" O.D.

Part No: 1717016



Length: 16 1/4" (412.8mm)

Width: 2 1/2" (63.5mm)

Height: 6" (152.4mm)

Inlet: 5/8" O.D.

Outlet: 5/8" O.D.

Part No: 1718001



Length: 10 11/16" (272.3mm)

Width: 1 7/8" (47.6mm)

Height: 10" (254mm)

Inlet: 5/8" O.D.

Outlet: 5/8" O.D.

Part No: 1718006



Length: 15" (381mm)

Width: 1 1/2" (38.1mm)

Height: 7 1/8" (181mm)

Inlet: 5/8" O.D.

Outlet: 5/8" O.D.

Part No: 1718008



Length: 10 11/16" (272.3mm)

Width: 1 7/8" (47.6mm)

Height: 10" (254mm)

Inlet: 5/8" O.D.

Outlet: 5/8" O.D.

Part No: 1718009



Length: 14 5/8" (371.5mm)

Width: 1 1/4" (31.8mm)

Height: 7 1/8" (181mm)

Inlet: Female Bead Conn

Outlet: Female Bead Conn

HEATER CORES



Part No: 1775001



Length: 7 9/16" (193mm)
 Width: 1 7/8" (47.6mm)
 Height: 6" (152.4mm)
 Inlet: 3/8" NPT
 Outlet: 3/8" NPT

Part No: 1775002



Length: 9 1/16" (230mm)
 Width: 2 1/2" (63.5mm)
 Height: 8" (203.2mm)
 Inlet: 3/8" NPT
 Outlet: 3/8" NPT

Part No: 1775003



Length: 28 1/4" (717.6mm)
 Width: 7/8" (22.2mm)
 Height: 4" (101.6mm)
 Inlet: 5/8" O.D.
 Outlet: 5/8" O.D.

Part No: 1775004



Length: 20 1/8" (511.2mm)
 Width: 3 1/2" (88.9mm)
 Height: 8" (203.2mm)
 Inlet: 3/8" NPT
 Outlet: 3/8" NPT

Part No: 1775007



Length: 14 1/8" (358.8mm)
 Width: 2 1/2" (63.5mm)
 Height: 8" (203.2mm)
 Inlet: 5/8" O.D.
 Outlet: 5/8" O.D.

Part No: 1775008



Length: 16" (406.4mm)
 Width: 2 1/4" (57mm)
 Height: 8" (203.2mm)
 Inlet: 5/8" O.D.
 Outlet: 5/8" O.D.

Part No: 1775009



Length: 12 1/2" (317.5mm)
 Width: 1 7/8" (47.6mm)
 Height: 6" (152.4mm)
 Inlet: 5/8" O.D.
 Outlet: 5/8" O.D.

Part No: 1775011



Length: 18 7/8" (479mm)
 Width: 1 1/4" (31.8mm)
 Height: 5" (127mm)
 Inlet: 5/8" O.D.
 Outlet: 5/8" O.D.

Part No: 1775013



Length: 12 1/8" (308mm)
 Width: 1 7/8" (47.6mm)
 Height: 6" (152.4mm)
 Inlet: 5/8" O.D.
 Outlet: 5/8" O.D.



Heater Cores

Part No: 1775017



Length: 20 1/4" (514.4mm)

Width: 1 7/8" (47.6mm)

Height: 10" (254mm)

Inlet: 5/8" O.D.

Outlet: 5/8" O.D.

Part No: 1775018



Length: 16" (406.4mm)

Width: 1 7/8" (47.6mm)

Height: 8" (203.2mm)

Inlet: 5/8" O.D.

Outlet: 5/8" O.D.

Part No: 1799005



Length: 14 1/2" (369mm)

Width: 2 1/2" (63.5mm)

Height: 8" (203.2mm)

Inlet: 5/8" O.D.

Outlet: 5/8" O.D.

Part No: 1799007



Length: 7 1/2" (190.5mm)

Width: 2 1/2" (63.5mm)

Height: 10" (254mm)

Inlet: 5/8" O.D.

Outlet: 5/8" O.D.

Part No: 1799008



Length: 8 5/8" (219mm)

Width: 2" (50.8mm)

Height: 7 3/4" (196.9mm)

Inlet: 3/4" O.D.

Outlet: 3/8" NPT

Part No: 1799009



Length: 12 7/16" (315.9mm)

Width: 2 9/16" (65mm)

Height: 8" (203.2mm)

Inlet: 5/8" O.D.

Outlet: 5/8" O.D.

Part No: 1799010



Length: 24 1/16" (611mm)

Width: 3 1/2" (88.9mm)

Height: 10" (254mm)

Inlet: 5/8" O.D.

Outlet: 5/8" O.D.

Part No: 1799011



Length: 12 1/4" (311mm)

Width: 2 1/2" (63.5mm)

Height: 12" (304.8mm)

Inlet: 5/8" O.D.

Outlet: 5/8" O.D.

Part No: 1799012



Length: 12 5/16" (313mm)

Width: 2 5/8" (66mm)

Height: 10" (254mm)

Inlet: 5/8" O.D.

Outlet: 5/8" O.D.

HEATER CORES

Part No: 1799013



Length: 22 5/8" (574mm)
 Width: 1 3/4" (44.4mm)
 Height: 10" (254mm)
 Inlet: 5/8" O.D.
 Outlet: 5/8" O.D.

Part No: 1799014



Length: 5" (128mm)
 Width: 2 9/16" (65mm)
 Height: 8" (203.2mm)
 Inlet: 5/8" O.D.
 Outlet: 5/8" O.D.

Part No: 1799015



Length: 18" (457.2mm)
 Width: 4 11/16" (119mm)
 Height: 8 15/16" (228mm)
 Inlet: 5/8" O.D.
 Outlet: 5/8" O.D.

Part No: 1799016



Length: 30" (762mm)
 Width: 2 5/8" (66mm)
 Height: 10" (254mm)
 Inlet: 5/8" O.D.
 Outlet: 5/8" O.D.

Part No: 1799018



Length: 16 11/16" (423.9mm)
 Width: 2 3/16" (55.5mm)
 Height: 8 3/4" (222.3mm)
 Inlet: 5/8" O.D.
 Outlet: 5/8" O.D.

Part No: 1799020



Length: 23 5/16" (592.1mm)
 Width: 3 1/2" (88.9mm)
 Height: 10" (254mm)
 Inlet: 5/8" O.D.
 Outlet: 5/8" O.D.

Part No: 1799021



Length: 20 1/4" (514.4mm)
 Width: 1 7/8" (47.6mm)
 Height: 10" (254mm)
 Inlet: 1" O.D.
 Outlet: 1" O.D.

Part No: 1799023



Length: 7 7/16" (188.9mm)
 Width: 3 1/8" (79.4mm)
 Height: 10" (254mm)
 Inlet: 5/8" O.D.
 Outlet: 5/8" O.D.

Part No: 1799024



Length: 27 1/2" (698.5mm)
 Width: 3 7/16" (87.3mm)
 Height: 8" (203.2mm)
 Inlet: 5/8" O.D.
 Outlet: 5/8" O.D.



Heater Cores

Part No: 1799025



Length: 16 9/16" (420.5mm)

Width: 3 1/2" (88.9mm)

Height: 14" (355.6mm)

Inlet: 5/8" O.D.

Outlet: 5/8" O.D.

Part No: 1799026



Length: 16 15/16" (430mm)

Width: 3 15/32" (88mm)

Height: 10" (254mm)

Inlet: 5/8" O.D.

Outlet: 5/8" O.D.

Part No: 1799027



Length: 13 13/16" (351mm)

Width: 2 9/16" (65mm)

Height: 10" (254mm)

Inlet: 5/8" O.D.

Outlet: 5/8" O.D.

Part No: 1799028



Length: 23 5/16" (592.1mm)

Width: 1 3/4" (44.4mm)

Height: 10" (254mm)

Inlet: 5/8" O.D.

Outlet: 5/8" O.D.

Part No: 1799029



Length: 12 3/16" (309.6mm)

Width: 1 3/4" (44.4mm)

Height: 8" (203.2mm)

Inlet: 5/8" O.D.

Outlet: 5/8" O.D.

Part No: 1799030



Length: 4 5/8" (118mm)

Width: 2 1/2" (63.5mm)

Height: 5" (127mm)

Inlet: 5/8" O.D.

Outlet: 5/8" O.D.

Part No: 1799031



Length: 22 5/8" (574mm)

Width: 1 3/4" (44.4mm)

Height: 10" (254mm)

Inlet: 1" O.D.

Outlet: 1" O.D.

Part No: 1799032



Length: 12 5/16" (313mm)

Width: 2 9/16" (65mm)

Height: 10" (254mm)

Inlet: 1" O.D.

Outlet: 1" O.D.

Part No: 1799033



Length: 20 1/2" (520.7mm)

Width: 3 7/16" (87.3mm)

Height: 10" (254mm)

Inlet: 1" O.D.

Outlet: 1" O.D.

HEATER CORES

Part No: 1799034



Length: 20 1/2" (520.7mm)
 Width: 3 7/16" (87.3mm)
 Height: 10" (254mm)
 Inlet: 1" O.D.
 Outlet: 1" O.D.

Part No: 1799035



Length: 14 9/16" (369.8mm)
 Width: 2 5/8" (66mm)
 Height: 8" (203.2mm)
 Inlet: 5/8" O.D.
 Outlet: 1" O.D.

Part No: 1799036



Length: 8 9/16" (217.4mm)
 Width: 3" (76.2mm)
 Height: 4" (101.6mm)
 Inlet: 1" O.D.
 Outlet: 1" O.D.

Part No: 1799037



Length: 16 15/16" (430mm)
 Width: 3 1/2" (88.9mm)
 Height: 10" (254mm)
 Inlet: 5/8" O.D.
 Outlet: 5/8" O.D.

Part No: 1799038



Length: 27 1/16" (688mm)
 Width: 2" (50.8mm)
 Height: 7 7/16" (189mm)
 Inlet: 5/8" O.D.
 Outlet: 5/8" O.D.

Part No: 1799040



Length: 12 1/2" (317.5mm)
 Width: 2 9/16" (65mm)
 Height: 6" (152.4mm)
 Inlet: 5/8" O.D.
 Outlet: 5/8" O.D.

Part No: 1799041



Length: 13 1/16" (332mm)
 Width: 2 9/16" (65mm)
 Height: 12" (304.8mm)
 Inlet: 1" O.D.
 Outlet: 1" O.D.

Part No: 1799045



Length: 23 5/16" (592.1mm)
 Width: 3 1/2" (88.9mm)
 Height: 10" (254mm)
 Inlet: 5/8" O.D.
 Outlet: 1" O.D.

Part No: 1799047



Length: 16 1/2" (419.1mm)
 Width: 2 1/4" (57mm)
 Height: 12" (304.8mm)
 Inlet: 1" O.D.
 Outlet: 1" O.D.



Heater Cores

Part No: 1799049



Length: 13 49/64" (13.77mm)

Width: 3 7/16" (87.3mm)

Height: 14" (355.6mm)

Inlet: 5/8" O.D.

Outlet: 5/8" O.D.

Part No: 1799050



Length: 13 3/4" (349.3mm)

Width: 3 7/16" (87.3mm)

Height: 14" (355.6mm)

Inlet: 1" O.D.

Outlet: 1" O.D.

Part No: 1799052



Length: 12" (304.8mm)

Width: 3 1/2" (88.9mm)

Height: 10" (254mm)

Inlet: 1" O.D.

Outlet: 1" O.D.

Part No: 1799054



Length: 11 1/4" (285.8mm)

Width: 1 7/8" (47.6mm)

Height: 10" (254mm)

Inlet: 1" O.D.

Outlet: 1" O.D.

Part No: 1799055



Length: 10 3/4" (273mm)

Width: 2 9/16" (65mm)

Height: 13" (330.2mm)

Inlet: 1" O.D.

Outlet: 5/8" O.D.

Part No: 1799056



Length: 16 11/16" (424.2mm)

Width: 2 1/2" (63.5mm)

Height: 10" (254mm)

Inlet: 1" O.D.

Outlet: 1" O.D.

Part No: 1799057



Length: 7 39/64" (193.04mm)

Width: 1 7/8" (47.6mm)

Height: 7" (177.8mm)

Inlet: 1" O.D.

Outlet: 1" O.D.

Part No: 1799058



Length: 13 3/4" (349.3mm)

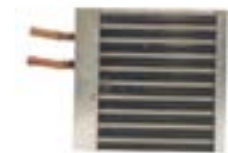
Width: 3 1/2" (88.9mm)

Height: 14" (355.6mm)

Inlet: 1" O.D.

Outlet: 1" O.D.

Part No: 1799061



Length: 8 3/16" (208mm)

Width: 2 1/2" (63.5mm)

Height: 10" (254mm)

Inlet: 5/8" O.D.

Outlet: 5/8" O.D.

HEATER CORES

Part No: 1799062



Length: 9 3/4" (247.6mm)
 Width: 2 1/2" (63.5mm)
 Height: 10" (254mm)
 Inlet: 5/8" O.D.
 Outlet: 5/8" O.D.

Part No: 1799063



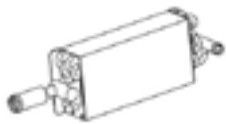
Length: 14 1/2" (369mm)
 Width: 3 1/2" (88.9mm)
 Height: 14" (355.6mm)
 Inlet: 1" O.D.
 Outlet: 1" O.D.

Part No: 1799064



Length: 22 5/8" (574mm)
 Width: 3 7/16" (87.3mm)
 Height: 10" (254mm)
 Inlet: 1" O.D.
 Outlet: 1" O.D.

Part No: 1799066



Length: 8 1/16" (205mm)
 Width: 2" (50.8mm)
 Height: 4 1/8" (105mm)
 Inlet: 5/8" O.D.
 Outlet: 5/8" O.D.

Part No: 1799068



Length: 7 3/16" (182.5mm)
 Width: 2" (50.8mm)
 Height: 7 3/4" (196.8mm)
 Inlet: 5/8" O.D.
 Outlet: 5/8" O.D.

Part No: 1799069



Length: 19 3/4" (501.6mm)
 Width: 2" (50.8mm)
 Height: 10" (254mm)
 Inlet: 1" O.D.
 Outlet: 1" O.D.

Part No: 1799071



Length: 18" (457.2mm)
 Width: 4 5/16" (109.2mm)
 Height: 8 15/16" (228mm)
 Inlet: 5/8" O.D.
 Outlet: 1" O.D.

Part No: 1799072



Length: 23 5/16" (592.1mm)
 Width: 3 1/2" (88.9mm)
 Height: 10" (254mm)
 Inlet: 5/8" O.D.
 Outlet: 5/8" O.D.

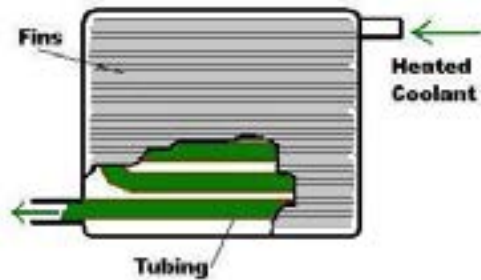
Part No: 1799077



Length: 26 3/4" (679.4mm)
 Width: 2 1/2" (63.5mm)
 Height: 12" (304.8mm)
 Inlet: 1" O.D.
 Outlet: 1" O.D.



Heater Core Service Tips



Heater Core

The heater core is designed to heat the inside of the cab.

Heater Core Service Tips	
Heater Core Location	The heater core is located inside the cab under the dash.
Core Fins	Make sure the coil fins are clean and free of debris and obstructions.
Inspect for Damage	Inspect for abrasions or damaged tubing. Straighten bent fins with fin comb.
Operating Temperature	With the system running the heater core will be hot to the touch.
Ensure Operability	Make sure the blower motor is operable.
Tip	A stuck open water valve will diminish the A/C performance. Weak hose connection may cause leakage. Check recirculation filter for cleanliness, a clogged recirculation filter will impede HVAC performance.

Notes





KYSOR
by Bergstrom

*Air Conditioning & Heating
Replacement Parts*



Receiver Driers

Receiver Drier Specifications	404
O-Ring Type Driers	404
Quick Disconnect Type Driers	407
Flare Type Driers	407
In-Line Driers	407
Accumulators	408
O-Ring Type Receiver Driers	409
Receiver Driers	409
Quick Disconnect Type Receiver Driers	419
Flare Type Receiver Driers	420
In-Line Type Receiver Driers	420
Accumulators	423
Mounting Brackets	425
Pressure Relief Valve Kits	425
Mounting Brackets & Valve Kits	425
Service Tips	426



Availability of the products shown in this catalog is subject to change without notice by Bergstrom, Inc. For the most current product information please visit the Kysor distributor website at <https://parts.kysorhvac.com/>.

Receiver Drier Specifications

O-Ring Type Driers

RECEIVER DRIERS

Diameter	Height	Fuse/Pressure	Inlet	Outlet	Desiccant Level	Port	Glass	Part No
2 3/8" (60.3mm)	7 7/8" (200mm)	Moisture Indicator	1/2" Male O-Ring	1/2" Male O-Ring	11	Side	-	1999237
2 1/2" (63.5mm)	8" (203.2mm)	-	3/8" Male O-Ring	3/8" Male O-Ring	4	-	-	1911009
2 1/2" (63.5mm)	8" (203.2mm)	-	3/8" Male Flare	3/8" Male Flare	4	-	-	1918006
2 1/2" (63.5mm)	8" (203.2mm)	High Pressure Relief Valve	3/8" Male O-Ring	3/8" Male O-Ring	6	-	Top	1975004
2 1/2" (63.5mm)	8" (203.2mm)	Fuse Plug/Low Pressure Switch	3/8" Male O-Ring	3/8" Male O-Ring	6	Top	-	1999005
2 1/2" (63.5mm)	8" (203.2mm)	Refrigerant Valve with Core	3/8" Male O-Ring	3/8" Male O-ring	8	-	-	1999040
2 1/2" (63.5mm)	8" (203.2mm)	Fusible Plug/ Service Port	3/8" Male O-Ring	3/8" Male O-Ring	4	Top	Top	1999239
2 1/2" (63.5mm)	8" (203.2mm)	Switch Port/Service Valve	3/8" Male O-Ring	3/8" Male O-Ring	4	Top	-	1999243
2 1/2" (63.5mm)	8" (203.2mm)	Service Port	3/8" Male O-Ring	3/8" Male O-Ring	4	Top	Top	1999249
2 1/2" (63.5mm)	6 5/16" (160.3mm)	-	M18 Male O-Ring	M18 Male O-Ring	5	-	Top	1999254
2 1/2" (63.5mm)	8" (203.2mm)	-	3/8" Male O-Ring	3/8" Male O-Ring	4	-	-	1999256
2 1/2" (63.5mm)	8 3/16" (208mm)	Refrigerant Valve with Core	3/8" Male O-Ring	3/8" Female O-Ring	3.4	-	Top	1741030000
2 3/4" (69.9mm)	10" (254mm)	High Pressure Relief Valve/Switch Port	3/8" Male O-Ring	3/8" Male O-Ring	12	Side	Top	1915005
2 3/4" (69.9mm)	10 1/16" (255.6mm)	Press Relief Valve/Service Port	3/8" Male O-Ring	3/8" Male O-Ring	6	Side	-	1915009
2 3/4" (69.9mm)	10" (254mm)	High Pressure Relief Valve/Low Pressure Switch	3/8" Male O-Ring	3/8" Male O-Ring	0	Side	Top	1999007
2 3/4" (69.9mm)	10 5/32" (258mm)	Fuse Plug	3/8" Male O-Ring	3/8" Male O-Ring	11	Top	Side	1999011
2 3/4" (69.9mm)	10" (254mm)	Fuse Plug	3/8" Male O-Ring	3/8" Male O-Ring	5	Side	Top	1999022
2 3/4" (69.9mm)	9 3/4" (247.7mm)	High Pressure Relief Valve	3/8" Male O-Ring	3/8" Male O-Ring	6	Side	Top	1999034
2 3/4" (69.9mm)	8 13/16" (223.8mm)	Fusible Plug	5/16" Male O-Ring	3/8" Male O-Ring	7	Side	Top	1999267
3" (76.2mm)	10" (254mm)	(2) M10 Ports	3/8" Male O-Ring	3/8" Female O-Ring	-	Top	Top	1912014
3" (76.2mm)	8 5/16" (211mm)	Switch Port/Service Port	3/8" Male O-Ring	3/8" Female O-Ring	6	Top	Top	1912020
3" (76.2mm)	8 7/16" (214.3mm)	Press Relief Valve/Fusible Plug	3/8" Male O-Ring	3/8" Male O-Ring	6	Top	Top	1912021
3" (76.2mm)	10 1/4" (260.4mm)	Press Relief Valve/Service Port	3/8" Male O-Ring	3/8" Female O-Ring	6	Top	-	1912022
3" (76.2mm)	10 1/4" (260.4mm)	Moisture Indicator	3/8" Male O-Ring	3/8" Male O-Ring	16	Top	Top	1912024
3" (76.2mm)	10 1/4" (260.4mm)	Moisture Indicator/M10 Switch Port	Pad Mount	Pad Mount	6	Top	-	1912025
3" (76.2mm)	10 3/16" (258.7mm)	M10 Switch Port	Pad Mount	Pad Mount	11	Side	-	1912026
3" (76.2mm)	10 1/16" (255.6mm)	Fuse Plug	Pad Mount	Pad Mount	6	Top	-	1913013
3" (76.2mm)	10 1/16" (255.6mm)	Press Relief Valve	11/16" Female O-Ring	3/8" Female O-Ring	9	Top	-	1913014
3" (76.2mm)	9 1/16" (230mm)	-	3/8" Male O-Ring	3/8" Male O-Ring	9	-	Side	1914001
3" (76.2mm)	9 3/4" (247.7mm)	Moisture Indicator	5/8" Female O-Ring	5/8" Male O-Ring	12	Top	Top	1914005

O-Ring Type Driers

Diameter	Height	Fuse/Pressure	Inlet	Outlet	Desiccant Level	Port	Glass	Part No
3" (76.2mm)	10 11/16" (271.4mm)	-	3/8 Tube Female	3/8 Tube Female	12	-	-	1914006
3" (76.2mm)	10 11/16" (271.4mm)	-	3/8 Tube Female	3/8" Tube Female	12	-	Top	1914008
3" (76.2mm)	10 11/16" (271.4mm)	-	Pad Mount	Pad Mount	12	-	-	1914010
3" (76.2mm)	10 1/4" (260.4mm)	-	Pad Mount	Pad Mount	12	-	-	1914011
3" (76.2mm)	10 1/4" (260.4mm)	-	Pad Mount	Pad Mount	12	-	-	1914012
3" (76.2mm)	10 1/16" (255.6mm)	Press Relief Valve	3/8" Male O-Ring	3/8" Male O-Ring	6	Side	-	1914013
3" (76.2mm)	10 3/16" (258.7mm)	-	3/8" Female O-Ring	3/8" Male O-Ring	6	-	Top	1914014
3" (76.2mm)	10 5/8" (270mm)	-	Pad Mount	Pad Mount	11	-	-	1914015
3" (76.2mm)	10 1/8" (257.2mm)	Press Relief Valve	3/8" Male O-Ring	3/8" Male O-Ring	6	Side	-	1914016
3" (76.2mm)	9 1/16" (230mm)	Press Relief Valve/Fusible Plug	3/8" Male O-Ring	3/8" Male O-Ring	9	-	Top	1915004
3" (76.2mm)	10 3/16" (258.7mm)	Press Relief Valve/Service Port/ Moisture Indicator	3/8" Male O-Ring	3/8" Male O-Ring	9	Top	-	1915008
3" (76.2mm)	10 3/16" (258.7mm)	Press Relief Valve/Service Port/ Moisture Indicator	3/8" Male O-Ring	3/8" Male O-Ring	6	Top	-	1915010
3" (76.2mm)	7 5/8" (193.7mm)	Refrigerant Valve with Core	3/8" Male O-Ring	3/8" Male O-Ring	6	Top	-	1917001
3" (76.2mm)	10 5/8" (270mm)	-	Pad Mount	Pad Mount	11	-	-	1917009
3" (76.2mm)	10 5/8" (270mm)	-	Pad Mount	Pad Mount	11	-	-	1917010
3" (76.2mm)	9 1/4" (235mm)	Fuse Plug	3/8" Male O-Ring (Schrader Ports)	3/8" Male O-Ring (Schrader Ports)	4	Side	Top	1918001
3" (76.2mm)	9 3/16" (233.2mm)	High Pressure Relief Valve/ Moisture Indicator	3/8" Male O-Ring	3/8" Male O-Ring	12	Top	-	1918004
3" (76.2mm)	9 3/16" (233.2mm)	Moisture Indicator	3/8" Male O-Ring	3/8" Male O-Ring	12	Top	Top	1918005
3" (76.2mm)	9 1/16" (230mm)	Press Relief Valve/Service Port	3/8" Male O-Ring	3/8" Male O-Ring	6	Side	Top	1918008
3" (76.2mm)	9 1/4" (235mm)	Press Relief Valve/Moisture Indicator	3/8" Male O-Ring	3/8" Male O-Ring	6	Side	-	1918009
3" (76.2mm)	10" (254mm)	Fuse Plug	3/8" Male O-Ring	3/8" Male O-Ring	-	Side	Top	1919001
3" (76.2mm)	9 3/4" (247.7mm)	Pressure Relief Valve	3/8" Male O-Ring	3/8" Male O-Ring	12	-	Top	1919002
3" (76.2mm)	6 5/16" (160.3mm)	Fusable Plug	3/8" Male O-Ring	3/8" Male O-Ring	6	Side	-	1975007
3" (76.2mm)	9" (228.6mm)	High Pressure Relief Valve	3/8" Male O-Ring	3/8" Male O-Ring	6	Side	Top	1999009
3" (76.2mm)	8 11/16" (220.6mm)	-	3/8" Male O-Ring	3/8" Male O-Ring	12	None	Side	1999012
3" (76.2mm)	10" (254mm)	Moisture Indicator	3/8" Male O-Ring	3/8" Male O-Ring	-	-	-	1999013
3" (76.2mm)	6 5/16" (160.3mm)	Fuse Plug	3/8" Male O-Ring	3/8" Male O-Ring	4	Side	Top	1999016
3" (76.2mm)	7 3/8" (7.4mm)	Pressure Relief Valve/Low Pressure Switch	3/8" Male O-Ring	3/8" Male O-Ring	4	Side	Top	1999032
3" (76.2mm)	6 5/16" (160.3mm)	3/8 Plug	3/8" Female O-Ring	3/8" Male O-Ring	6	-	Top	1999037

RECEIVER DRIERS



Receiver Drier Specifications

O-Ring Type Driers

Diameter	Height	Fuse/Pressure	Inlet	Outlet	Desiccant Level	Port	Glass	Part No
3" (76.2mm)	8 1/4" (209.6mm)	High Pressure Relief Valve	3/8" Male O-Ring	3/8" Male O-Ring	12	Top	Side	1999203
3" (76.2mm)	10 1/8" (257.2mm)	High Pressure Relief Valve/ Moisture Indicator	3/8" Male O-Ring	3/8" Male O-Ring	16	Top	Top	1999213
3" (76.2mm)	5 3/4" (146mm)	Fuse Plug/Service Port	3/8" Male O-Ring	3/8" Male O-Ring	-	Side	-	1999215
3" (76.2mm)	6 5/16" (160.3mm)	High Pressure Relief Valve	3/8" Male O-Ring	3/8" Male O-Ring	12	-	Top	1999220
3" (76.2mm)	6 5/16" (160.3mm)	Refrigerant Valve with Core	3/8" Male O-Ring	3/8" Male O-Ring	12	-	-	1999221
3" (76.2mm)	6 5/16" (160.3mm)	Fusible Plug	3/8" Male O-Ring	3/8" Male O-Ring	6	Side	-	1999226
3" (76.2mm)	6 3/8" (162mm)	-	3/8" Male O-Ring	3/8" Male O-Ring	6	Side	-	1999227
3" (76.2mm)	10 5/8" (270mm)	-	Pad Mount	Pad Mount	11	-	-	1999228
3" (76.2mm)	7 1/2" (190.5mm)	Service Port	3/8" Male O-Ring	3/8" Male O-Ring	6	Top	Side	1999233
3" (76.2mm)	8 3/16" (208mm)	Service Port/Moisture Indicator	1/2" Female O-Ring	1/2" Male O-Ring	9	Top	Side	1999234
3" (76.2mm)	10 1/16" (255.6mm)	Service Port/Moisture Indicator	3/8" Male O-Ring	3/8" Male O-Ring	6	Top	Top	1999245
3" (76.2mm)	14 3/8" (365.1mm)	Moisture Indicator	3/8" FSL	3/8" FSL	14	Side	Side	1999248
3" (76.2mm)	9 1/4" (235mm)	-	3/8" Male O-Ring	3/8" Female O-Ring	6	-	-	1999255
3" (76.2mm)	11 5/8" (295.3mm)	-	3/8" Female O-Ring	3/8" Male O-Ring	15	-	-	1999260
3" (76.2mm)	6 5/16" (160.3mm)	Press Relief Valve	3/8" Male O-Ring	3/8" Male O-Ring	6	Side	Top	1999261
3" (76.2mm)	9 1/2" (241.3mm)	Service Port	5/8" Male Flare	5/8" Male Flare	6	Top	-	1999264
3" (76.2mm)	10 1/16" (255.6mm)	Fuse Plug	3/8" Male O-Ring	3/8" Male O-Ring	18	-	Top	1999268
3" (76.2mm)	5 3/4" (146mm)	Refrigerant Valve with Core	3/8" Male O-Ring	3/8" Female O-Ring	-	-	-	1741330000
3 1/2" (88.9mm)	9 13/16" (249.2mm)	-	1 1/16" Female O-Ring	1 1/16" Female O-Ring	7	-	-	1999242
3 3/4" (95.2mm)	8 3/16" (208mm)	-	3/8" Female O-Ring	3/8" Male O-Ring	6	-	Top	1999262
4" (101.6mm)	6 9/16" (166.6mm)	-	Pad Mount	Pad Mount	16	-	-	1912027
4" (101.6mm)	6 3/4" (171.5mm)	-	Pad Mount	Pad Mount	14	-	-	1912028
4" (101.6mm)	6 9/16" (166.6mm)	-	Pad Mount	Pad Mount	14	-	-	1912029
4" (101.6mm)	6 15/16" (176.2mm)	Fusible Plug	3/8" Male O-Ring	3/8" Male O-Ring	9	Side	-	1975008
4" (101.6mm)	7 1/2" (190.5mm)	-	3/8" Male O-Ring	3/8" Male O-Ring	12	Top	-	1999214
4" (101.6mm)	8 5/16" (211mm)	-	1-7/16" Male Oring	1-7/16" Male Oring	-	-	-	1999244
4" (101.6mm)	7 15/16" (201.6mm)	-	3/8" Male Flare	3/8" Male Flare	11	-	-	1999250
4" (101.6mm)	8 7/8" (225.5mm)	Moisture Indicator	3/8" Female O-Ring	3/8" Male O-Ring	14	Top	Top	1999252
4" (101.6mm)	7 15/16" (201.6mm)	Pressure Switch/Press Relief Valve/Moisture Indicator	3/8" Male O-Ring	3/8" Male O-Ring	13	Side	-	1999257
4" (101.6mm)	8 3/16" (208mm)	Fusible Plug/Moisture Indicator	3/8" Male O-Ring	3/8" Male O-Ring	11	Top	-	1999263

O-Ring Type Driers

Diameter	Height	Fuse/Pressure	Inlet	Outlet	Desiccant Level	Port	Glass	Part No
4" (101.6mm)	8 15/16" (227mm)	-	3/8" Female O-Ring	3/8" Male O-Ring	7	-	Top	1999265
4 1/16" (103.1mm)	7 1/2" (190.5mm)	-	3/8" Female O-Ring	3/8" Male O-Ring	11	-	-	1999015
4 1/16" (103.1mm)	5 1/8" (130.2mm)	-	3/8" Male O-Ring	3/8" Male O-Ring	7	-	-	1999031

Quick Disconnect Type Driers

Diameter	Height	Fuse/Pressure	Inlet	Outlet	Desiccant Level	Port	Glass	Part No
3" (76.2mm)	10 1/4" (260.4mm)	Service Port/Service Port	Quick Disconnect	Quick Disconnect	18	Top	Top	1912023
3" (76.2mm)	10" (254mm)	Moisture Indicator	Quick Disconnect	Quick Disconnect	-	-	Side	1914004

Flare Type Driers

Diameter	Height	Fuse/Pressure	Inlet	Outlet	Desiccant Level	Port	Glass	Part No
2 1/2" (63.5mm)	8" (203.2mm)	-	3/8" Male Flare	3/8" Male Flare	4	-	-	1999029
3" (76.2mm)	6 1/4" (158.75mm)	Fuse Plug	3/8" Male Flare	3/8" Male Flare	-	Side	Top	1999030

In-Line Driers

Diameter	Height	Fuse/Pressure	Inlet	Outlet	Desiccant Level	Port	Glass	Part No
2 1/2" (63.5mm)	7 5/8" (193.7mm)	High Pressure Relief Valve	3/8" Female O-Ring	3/8" Male O-Ring	16	Top	Top	1975003
2 1/2" (63.5mm)	9 9/16" (243mm)	Switch Port	3/8" Male O-Ring	3/8" Male O-Ring	-	Top	-	1999210
2 1/2" (63.5mm)	8 3/16" (208mm)	Moisture Indicator	1/2" Male O-Ring	1/2" Male O-Ring	2.2	-	Side	1999223
2 1/2" (63.5mm)	9 1/2" (241.3mm)	-	3/8" Male O-Ring	3/8" Male O-Ring	11	-	-	1999229
2 1/2" (63.5mm)	7 13/16" (198.4mm)	Moisture Indicator	1/2" Male O-Ring	1/2" Male O-Ring	11	Side	-	1999236
2 1/2" (63.5mm)	7 1/8" (181mm)	-	1/2" Male O-Ring	1/2" Male O-Ring	14	-	-	1999238
2 1/2" (63.5mm)	5 7/16" (138mm)	-	3/8" Male O-Ring	3/8" Male O-Ring	4	-	-	1999240
2 1/2" (63.5mm)	11" (279.4mm)	-	3/8" Male O-Ring	1/2" Male O-Ring	4	-	-	1999253
2 1/2" (63.5mm)	7 3/4" (196.8mm)	-	Quick Disconnect	Quick Disconnect	16	-	-	1999269
2 1/2" (63.5mm)	7 3/64" (179mm)	-	-	-	-	-	-	1999272
2 31/64" (63mm)	10 25/32" (274mm)	M8 x 1.25	-	-	15	-	-	1999271
3" (76.2mm)	11 5/16" (287mm)	Moisture Indicator	1/2" Male O-Ring	1/2" Male O-Ring	30	Side	-	1999224
3" (76.2mm)	11 5/16" (287mm)	Moisture Indicator	1/2" Male O-Ring	1/2" Male O-Ring	32	Side	-	1999230
3" (76.2mm)	10" (254mm)	-	1/2" Male Flare	1/2" Male Flare	3	-	-	1999232
3" (76.2mm)	9 1/2" (241.3mm)	-	1/2" Male O-Ring	1/2" Male O-Ring	6	-	-	1999235
3" (76.2mm)	9 7/16" (240mm)	-	5/8" Male O-Ring	5/8" Male O-Ring	18	-	-	1999258

Receiver Drier Specifications


In-Line Driers

Diameter	Height	Fuse/Pressure	Inlet	Outlet	Desiccant Level	Port	Glass	Part No
3" (76.2mm)	11 1/2" (292.1mm)	-	3/8" Female O-Ring	3/8" Male O-Ring	18	-	-	1999259
3 1/2" (88.9mm)	9 1/4" (235mm)	-	1"-14	13/16"-16	39.2	-	-	1999212
3 1/2" (88.9mm)	10 3/8" (263.5mm)	-	5/8" Male Flare	5/8" Male Flare	22	-	-	1999251
3 1/2" (88.9mm)	9 11/16" (246mm)	-	5/8" Male O-Ring	5/8" Male O-Ring	0	-	-	1999266
4" (101.6mm)	7 3/4" (196.8mm)	-	3/8" Male O-Ring	3/8" Male O-Ring	12	Top	Top	1915002
4" (101.6mm)	7 7/8" (200mm)	-	3/8" Male O-Ring	3/8" Male O-Ring	11	-	-	1999246
4" (101.6mm)	6 1/16" (154mm)	-	1/2" Male O-Ring	1/2" Male O-Ring	18	-	-	1999247
4" (101.6mm)	7 53/64" (199mm)	-	5/8" Female O-Ring	5/8" Male O-Ring	12	Top	Top	1999270

Accumulators

Diameter	3p10.4	Fuse/Pressure	Inlet	Outlet	Desiccant Level	Port	Glass	Part No
2 3/8" (60.3mm)	9 7/8" (250.8mm)	-	Pad Mount	Pad Mount	3	-	-	1999231
3" (76.2mm)	7 1/16" (179.5mm)	12mm Switch Port/13mm Charge Port	Pad Mount	Pad Mount	4.6	Side	-	1913011
3" (76.2mm)	6 5/16" (160.3mm)	-	3/8" Tube O-Ring	Pad Mount	5	-	-	1913016
3" (76.2mm)	6" (152.4mm)	-	Pad Mount	Pad Mount	5	-	-	1913017
3" (76.2mm)	8 15/16" (227mm)	-	Pad Mount	Pad Mount	6	-	-	1999241
3 1/2" (88.9mm)	9" (228.6mm)	12mm Switch Port	M27 Male Insert O-Ring	M27 Female Insert O-Ring	-	-	-	1910002
3 1/2" (88.9mm)	8 1/8" (206.4mm)	Charging Valve, Switch Ports	5/8" Male Insert O-Ring	3/4" Male Insert O-Ring	-	Charging Valve Switch	-	1911013
3 1/2" (88.9mm)	10 7/8" (276.2mm)	-	Pad Mount	Pad Mount	7	-	-	1913015
3 1/2" (88.9mm)	9 1/4" (235mm)	-	Pad Mount	Pad Mount	7	-	-	1917008
3 1/2" (88.9mm)	12 5/16" (312.4mm)	12mm Switch Port/R-134a Quick Coupler Service Port	5/8" Male Insert O-Ring	5/8" Male Insert O-Ring	-	-	-	1999004
3 1/2" (88.9mm)	7 1/2" (190.5mm)	Switch Port/Service Port	3/8" Female Springlock	5/8" Female Springlock	7	-	-	1999014
3 1/2" (88.9mm)	8 5/8" (219mm)	-	Pad Mount	Pad Mount	7	-	-	1999225
4 1/2" (114.3mm)	6 1/4" (158.8mm)	-	Pad Mount	Pad Mount	-	-	-	1913012

O-Ring Type Receiver Driers

Part No: 1911009	
	
Height: 8" (203.2mm)	Diameter: 2 1/2" (63.5mm)
Inlet: 3/8" Male O-Ring	Outlet: 3/8" Male O-Ring
Desiccant Level: 4	

Part No: 1912014	
	
Height: 10" (254mm)	Diameter: 3" (76.2mm)
Inlet: 3/8" Male O-Ring	Outlet: 3/8" Female O-Ring
Fuse/Pressure: (2) M10 Ports	Glass: Top
Port: Top	

Part No: 1912020	
	
Height: 8 5/16" (211mm)	Diameter: 3" (76.2mm)
Inlet: 3/8" Male O-Ring	Outlet: 3/8" Female O-Ring
Fuse/Pressure: Switch Port/Service Port	Desiccant Level: 6
Port: Top	
Glass: Top	


Part No: 1912021	
	
Height: 8 7/16" (214.3mm)	Diameter: 3" (76.2mm)
Inlet: 3/8" Male O-Ring	Outlet: 3/8" Male O-Ring
Fuse/Pressure: Press Relief Valve/Fusible Plug	Desiccant Level: 6
Port: Top	
Glass: Top	

Part No: 1912022	
	
Height: 10 1/4" (260.4mm)	Diameter: 3" (76.2mm)
Inlet: 3/8" Male O-Ring	Outlet: 3/8" Female O-Ring
Fuse/Pressure: Press Relief Valve/Service Port	Desiccant Level: 6
Port: Top	

Part No: 1912024	
	
Height: 10 1/4" (260.4mm)	Diameter: 3" (76.2mm)
Inlet: 3/8" Male O-Ring	Outlet: 3/8" Male O-Ring
Fuse/Pressure: Moisture Indicator	Desiccant Level: 16
Port: Top	
Glass: Top	

Part No: 1912025	
	
Height: 10 1/4" (260.4mm)	Diameter: 3" (76.2mm)
Inlet: Pad Mount	Outlet: Pad Mount
Fuse/Pressure: Moisture Indicator/M10 Switch Port	Desiccant Level: 6
Port: Top	

Part No: 1912026	
	
Height: 10 3/16" (258.7mm)	Diameter: 3" (76.2mm)
Inlet: Pad Mount	Outlet: Pad Mount
Fuse/Pressure: M10 Switch Port	Desiccant Level: 11
Port: Side	

Part No: 1912027	
	
Height: 6 9/16" (166.6mm)	Diameter: 4" (101.6mm)
Inlet: Pad Mount	Outlet: Pad Mount
Desiccant Level: 16	

Receiver Driers

O-Ring Type Receiver Driers (cont'd)

Part No: 1912028



Height: 6 3/4" (171.5mm)	Diameter: 4" (101.6mm)
Inlet: Pad Mount	Outlet: Pad Mount
Desiccant Level: 14	

Part No: 1912029



Height: 6 9/16" (166.6mm)	Diameter: 4" (101.6mm)
Inlet: Pad Mount	Outlet: Pad Mount
Desiccant Level: 14	

Part No: 1913013



Height: 10 1/16" (255.6mm)	Diameter: 3" (76.2mm)
Inlet: Pad Mount	Outlet: Pad Mount
Fuse/Pressure: Fuse Plug	Desiccant Level: 6
Port: Top	

Part No: 1913014



Height: 10 1/16" (255.6mm)	Diameter: 3" (76.2mm)
Inlet: 11/16" Female O-Ring	Outlet: 3/8" Female O-Ring
Fuse/Pressure: Press Relief Valve	Desiccant Level: 9
Port: Top	

Part No: 1914001



Height: 9 1/16" (230mm)	Diameter: 3" (76.2mm)
Inlet: 3/8" Male O-Ring	Outlet: 3/8" Male O-Ring
Glass: Side	Desiccant Level: 9

Part No: 1914005



Height: 9 3/4" (247.7mm)	Diameter: 3" (76.2mm)
Inlet: 5/8" Female O-Ring	Outlet: 5/8" Male O-Ring
Fuse/Pressure: Moisture Indicator	Desiccant Level: 12
Port: Top	Glass: Top

Part No: 1914006



Height: 10 11/16" (271.4mm)	Diameter: 3" (76.2mm)
Inlet: 3/8 Tube Female	Outlet: 3/8 Tube Female
Desiccant Level: 12	

Part No: 1914008



Height: 10 11/16" (271.4mm)	Diameter: 3" (76.2mm)
Inlet: 3/8 Tube Female	Outlet: 3/8" Tube Female
Glass: Top	Desiccant Level: 12

Part No: 1914010




Height: 10 11/16" (271.4mm)	Diameter: 3" (76.2mm)
Inlet: Pad Mount	Outlet: Pad Mount
Desiccant Level: 12	



O-Ring Type Receiver Driers (cont'd)

Part No: 1914011	
	
Height: 10 1/4" (260.4mm)	Diameter: 3" (76.2mm)
Inlet: Pad Mount	Outlet: Pad Mount
Desiccant Level: 12	

Part No: 1914012	
	
Height: 10 1/4" (260.4mm)	Diameter: 3" (76.2mm)
Inlet: Pad Mount	Outlet: Pad Mount
Desiccant Level: 12	


Part No: 1914013	
	
Height: 10 1/16" (255.6mm)	Diameter: 3" (76.2mm)
Inlet: 3/8" Male O-Ring	Outlet: 3/8" Male O-Ring
Fuse/Pressure: Press Relief Valve	Desiccant Level: 6
Port: Side	

Part No: 1914014	
	
Height: 10 3/16" (258.7mm)	Diameter: 3" (76.2mm)
Inlet: 3/8" Female O-Ring	Outlet: 3/8" Male O-Ring
Glass: Top	Desiccant Level: 6

Part No: 1914015	
	
Height: 10 5/8" (270mm)	Diameter: 3" (76.2mm)
Inlet: Pad Mount	Outlet: Pad Mount
Desiccant Level: 11	

Part No: 1914016	
	
Height: 10 1/8" (257.2mm)	Diameter: 3" (76.2mm)
Inlet: 3/8" Male O-Ring	Outlet: 3/8" Male O-Ring
Fuse/Pressure: Press Relief Valve	Desiccant Level: 6
Port: Side	

Part No: 1915004	
	
Height: 9 1/16" (230mm)	Diameter: 3" (76.2mm)
Inlet: 3/8" Male O-Ring	Outlet: 3/8" Male O-Ring
Fuse/Pressure: Press Relief Valve/Fusible Plug	Desiccant Level: 9
Glass: Top	

Part No: 1915005	
	
Height: 10" (254mm)	Diameter: 2 3/4" (69.9mm)
Inlet: 3/8" Male O-Ring	Outlet: 3/8" Male O-Ring
Fuse/Pressure: High Pressure Relief Valve/Switch Port	Desiccant Level: 12
Port: Side	Glass: Top

Part No: 1915008	
	
Height: 10 3/16" (258.7mm)	Diameter: 3" (76.2mm)
Inlet: 3/8" Male O-Ring	Outlet: 3/8" Male O-Ring
Fuse/Pressure: Press Relief Valve/Service Port/Moisture Indicator	Desiccant Level: 9
Port: Top	

Receiver Driers

O-Ring Type Receiver Driers (cont'd)

Part No: 1915009	
	
Height: 10 1/16" (255.6mm)	Diameter: 2 3/4" (69.9mm)
Inlet: 3/8" Male O-Ring	Outlet: 3/8" Male O-Ring
Fuse/Pressure: Press Relief Valve/Service Port	Desiccant Level: 6
Port: Side	

Part No: 1915010	
	
Height: 10 3/16" (258.7mm)	Diameter: 3" (76.2mm)
Inlet: 3/8" Male O-Ring	Outlet: 3/8" Male O-Ring
Fuse/Pressure: Press Relief Valve/Service Port/ Moisture Indicator	Desiccant Level: 6
Port: Top	

Part No: 1917001	
	
Height: 7 5/8" (193.7mm)	Diameter: 3" (76.2mm)
Inlet: 3/8" Male O-Ring	Outlet: 3/8" Male O-Ring
Fuse/Pressure: Refrigerant Valve with Core	Desiccant Level: 6
Port: Top	

Part No: 1917009	
	
Height: 10 5/8" (270mm)	Diameter: 3" (76.2mm)
Inlet: Pad Mount	Outlet: Pad Mount
Desiccant Level: 11	

Part No: 1917010	
	
Height: 10 5/8" (270mm)	Diameter: 3" (76.2mm)
Inlet: Pad Mount	Outlet: Pad Mount
Desiccant Level: 11	

Part No: 1918001	
	
Height: 9 1/4" (235mm)	Diameter: 3" (76.2mm)
Inlet: 3/8" Male O-Ring (Schrader Ports)	Outlet: 3/8" Male O-Ring (Schrader Ports)
Fuse/Pressure: Fuse Plug	Desiccant Level: 4
Port: Side	Glass: Top

Part No: 1918004	
	
Height: 9 3/16" (233.2mm)	Diameter: 3" (76.2mm)
Inlet: 3/8" Male O-Ring	Outlet: 3/8" Male O-Ring
Fuse/Pressure: High Pressure Relief Valve/ Moisture Indicator	Desiccant Level: 12
Port: Top	

Part No: 1918005	
	
Height: 9 3/16" (233.2mm)	Diameter: 3" (76.2mm)
Inlet: 3/8" Male O-Ring	Outlet: 3/8" Male O-Ring
Fuse/Pressure: Moisture Indicator	Desiccant Level: 12
Port: Top	Glass: Top

Part No: 1918006	
	
Height: 8" (203.2mm)	Diameter: 2 1/2" (63.5mm)
Inlet: 3/8" Male Flare	Outlet: 3/8" Male Flare
Desiccant Level: 4	

O-Ring Type Receiver Driers (cont'd)



Part No: 1918008	
	
Height: 9 1/16" (230mm)	Diameter: 3" (76.2mm)
Inlet: 3/8" Male O-Ring	Outlet: 3/8" Male O-Ring
Fuse/Pressure: Press Relief Valve/Service Port	Desiccant Level: 6
Port: Side	Glass: Top

Part No: 1918009	
	
Height: 9 1/4" (235mm)	Diameter: 3" (76.2mm)
Inlet: 3/8" Male O-Ring	Outlet: 3/8" Male O-Ring
Fuse/Pressure: Press Relief Valve/Moisture Indicator	Desiccant Level: 6
Port: Side	

Part No: 1919001	
	
Height: 10" (254mm)	Diameter: 3" (76.2mm)
Inlet: 3/8" Male O-Ring	Outlet: 3/8" Male O-Ring
Fuse/Pressure: Fuse Plug	Glass: Top
Port: Side	

Part No: 1919002	
	
Height: 9 3/4" (247.7mm)	Diameter: 3" (76.2mm)
Inlet: 3/8" Male O-Ring	Outlet: 3/8" Male O-Ring
Fuse/Pressure: Pressure Relief Valve	Desiccant Level: 12
Glass: Top	

Part No: 1975004	
	
Height: 8" (203.2mm)	Diameter: 2 1/2" (63.5mm)
Inlet: 3/8" Male O-Ring	Outlet: 3/8" Male O-Ring
Fuse/Pressure: High Pressure Relief Valve	Desiccant Level: 6
Glass: Top	

Part No: 1975007	
	
Height: 6 5/16" (160.3mm)	Diameter: 3" (76.2mm)
Inlet: 3/8" Male O-Ring	Outlet: 3/8" Male O-Ring
Fuse/Pressure: Fusable Plug	Desiccant Level: 6
Port: Side	

Part No: 1975008	
	
Height: 6 15/16" (176.2mm)	Diameter: 4" (101.6mm)
Inlet: 3/8" Male O-Ring	Outlet: 3/8" Male O-Ring
Fuse/Pressure: Fusable Plug	Desiccant Level: 9
Port: Side	

Part No: 1999005	
	
Height: 8" (203.2mm)	Diameter: 2 1/2" (63.5mm)
Inlet: 3/8" Male O-Ring	Outlet: 3/8" Male O-Ring
Fuse/Pressure: Fuse Plug/Low Pressure Switch	Desiccant Level: 6
Port: Top	

Part No: 1999007	
	
Height: 10" (254mm)	Diameter: 2 3/4" (69.9mm)
Inlet: 3/8" Male O-Ring	Outlet: 3/8" Male O-Ring
Fuse/Pressure: High Pressure Relief Valve/Low Pressure Switch	Glass: Top
Port: Side	

Receiver Driers

O-Ring Type Receiver Driers (cont'd)

Part No: 1999009



Height: 9" (228.6mm)	Diameter: 3" (76.2mm)
Inlet: 3/8" Male O-Ring	Outlet: 3/8" Male O-Ring
Fuse/Pressure: High Pressure Relief Valve	Desiccant Level: 6
Port: Side	Glass: Top

Part No: 1999011



Height: 10 5/32" (258mm)	Diameter: 2 3/4" (69.9mm)
Inlet: 3/8" Male O-Ring	Outlet: 3/8" Male O-Ring
Fuse/Pressure: Fuse Plug	Desiccant Level: 11
Port: Top	Glass: Side

Part No: 1999012



Height: 8 11/16" (220.6mm)	Diameter: 3" (76.2mm)
Inlet: 3/8" Male O-Ring	Outlet: 3/8" Male O-Ring
Port: None	Desiccant Level: 12
Glass: Side	

Part No: 1999013



Height: 10" (254mm)	Diameter: 3" (76.2mm)
Inlet: 3/8" Male O-Ring	Outlet: 3/8" Male O-Ring
Fuse/Pressure: Moisture Indicator	

Part No: 1999015



Height: 7 1/2" (190.5mm)	Diameter: 4 1/16" (103.1mm)
Inlet: 3/8" Female O-Ring	Outlet: 3/8" Male O-Ring
Desiccant Level: 11	

Part No: 1999016



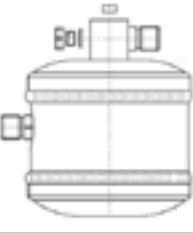
Height: 6 5/16" (160.3mm)	Diameter: 3" (76.2mm)
Inlet: 3/8" Male O-Ring	Outlet: 3/8" Male O-Ring
Fuse/Pressure: Fuse Plug	Desiccant Level: 4
Port: Side	Glass: Top

Part No: 1999022



Height: 10" (254mm)	Diameter: 2 3/4" (69.9mm)
Inlet: 3/8" Male O-Ring	Outlet: 3/8" Male O-Ring
Fuse/Pressure: Fuse Plug	Desiccant Level: 5
Port: Side	Glass: Top

Part No: 1999031



Height: 5 1/8" (130.2mm)	Diameter: 4 1/16" (103.1mm)
Inlet: 3/8" Male O-Ring	Outlet: 3/8" Male O-Ring
Desiccant Level: 7	

Part No: 1999032



Height: 7 3/8" (7.4mm)	Diameter: 3" (76.2mm)
Inlet: 3/8" Male O-Ring	Outlet: 3/8" Male O-Ring
Fuse/Pressure: Pressure Relief Valve/Low Pressure Switch	Desiccant Level: 4
Port: Side	Glass: Top

O-Ring Type Receiver Driers (cont'd)

Part No: 1999034	
	
Height: 9 3/4" (247.7mm)	Diameter: 2 3/4" (69.9mm)
Inlet: 3/8" Male O-Ring	Outlet: 3/8" Male O-Ring
Fuse/Pressure: High Pressure Relief Valve	Desiccant Level: 6
Port: Side	Glass: Top

Part No: 1999037	
	
Height: 6 5/16" (160.3mm)	Diameter: 3" (76.2mm)
Inlet: 3/8" Female O-Ring	Outlet: 3/8" Male O-Ring
Fuse/Pressure: 3/8 Plug	Desiccant Level: 6
Glass: Top	

Part No: 1999040	
	
Height: 8" (203.2mm)	Diameter: 2 1/2" (63.5mm)
Inlet: 3/8" Male O-Ring	Outlet: 3/8" Male O-Ring
Fuse/Pressure: Refrigerant Valve with Core	Desiccant Level: 8

Part No: 1999203	
	
Height: 8 1/4" (209.6mm)	Diameter: 3" (76.2mm)
Inlet: 3/8" Male O-Ring	Outlet: 3/8" Male O-Ring
Fuse/Pressure: High Pressure Relief Valve	Desiccant Level: 12
Port: Top	Glass: Side

Part No: 1999213	
	
Height: 10 1/8" (257.2mm)	Diameter: 3" (76.2mm)
Inlet: 3/8" Male O-Ring	Outlet: 3/8" Male O-Ring
Fuse/Pressure: High Pressure Relief Valve/ Moisture Indicator	Desiccant Level: 16
Port: Top	Glass: Top

Part No: 1999214	
	
Height: 7 1/2" (190.5mm)	Diameter: 4" (101.6mm)
Inlet: 3/8" Male O-Ring	Outlet: 3/8" Male O-Ring
Port: Top	Desiccant Level: 12

Part No: 1999215	
	
Height: 5 3/4" (146mm)	Diameter: 3" (76.2mm)
Inlet: 3/8" Male O-Ring	Outlet: 3/8" Male O-Ring
Fuse/Pressure: Fuse Plug/ Service Port	Port: Side

Part No: 1999220	
	
Height: 6 5/16" (160.3mm)	Diameter: 3" (76.2mm)
Inlet: 3/8" Male O-Ring	Outlet: 3/8" Male O-Ring
Fuse/Pressure: High Pressure Relief Valve	Desiccant Level: 12
Glass: Top	

Part No: 1999221	
	
Height: 6 5/16" (160.3mm)	Diameter: 3" (76.2mm)
Inlet: 3/8" Male O-Ring	Outlet: 3/8" Male O-Ring
Fuse/Pressure: Refrigerant Valve with Core	Desiccant Level: 12

Receiver Driers

O-Ring Type Receiver Driers (cont'd)

Part No: 1999226



Height: 6 5/16" (160.3mm)	Diameter: 3" (76.2mm)
Inlet: 3/8" Male O-Ring	Outlet: 3/8" Male O-Ring
Fuse/Pressure: Fusible Plug	Desiccant Level: 6
Port: Side	

Part No: 1999227



Height: 6 3/8" (162mm)	Diameter: 3" (76.2mm)
Inlet: 3/8" Male O-Ring	Outlet: 3/8" Male O-Ring
Port: Side	
Desiccant Level: 6	

Part No: 1999228



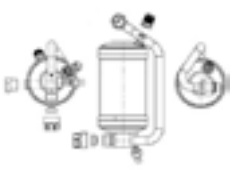
Height: 10 5/8" (270mm)	Diameter: 3" (76.2mm)
Inlet: Pad Mount	Outlet: Pad Mount
Desiccant Level: 11	

Part No: 1999233



Height: 7 1/2" (190.5mm)	Diameter: 3" (76.2mm)
Inlet: 3/8" Male O-Ring	Outlet: 3/8" Male O-Ring
Fuse/Pressure: Service Port	Desiccant Level: 6
Port: Top	Glass: Side

Part No: 1999234



Height: 8 3/16" (208mm)	Diameter: 3" (76.2mm)
Inlet: 1/2" Female O-Ring	Outlet: 1/2" Male O-Ring
Fuse/Pressure: Service Port/Moisture Indicator	Desiccant Level: 9
Port: Top	Glass: Side

Part No: 1999237



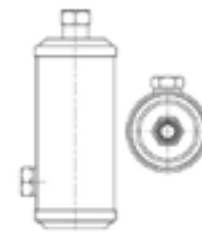
Height: 7 7/8" (200mm)	Diameter: 2 3/8" (60.3mm)
Inlet: 1/2" Male O-Ring	Outlet: 1/2" Male O-Ring
Fuse/Pressure: Moisture Indicator	Desiccant Level: 11
Port: Side	

Part No: 1999239



Height: 8" (203.2mm)	Diameter: 2 1/2" (63.5mm)
Inlet: 3/8" Male O-Ring	Outlet: 3/8" Male O-Ring
Fuse/Pressure: Fusible Plug/ Service Port	Desiccant Level: 4
Port: Top	Glass: Top

Part No: 1999242



Height: 9 13/16" (249.2mm)	Diameter: 3 1/2" (88.9mm)
Inlet: 1 1/16" Female O-Ring	Outlet: 1 1/16" Female O-Ring
Desiccant Level: 7	

Part No: 1999243



Height: 8" (203.2mm)	Diameter: 2 1/2" (63.5mm)
Inlet: 3/8" Male O-Ring	Outlet: 3/8" Male O-Ring
Fuse/Pressure: Switch Port/Service Valve	Desiccant Level: 4
Port: Top	

O-Ring Type Receiver Driers (cont'd)

Part No: 1999244



Height: 8 5/16" (211mm)	Diameter: 4" (101.6mm)
Inlet: 1-7/16" Male Oring	Outlet: 1-7/16" Male Oring

Part No: 1999245



Height: 10 1/16" (255.6mm)	Diameter: 3" (76.2mm)
Inlet: 3/8" Male O-Ring	Outlet: 3/8" Male O-Ring
Fuse/Pressure: Service Port/Moisture Indicator	Desiccant Level: 6
Port: Top	Glass: Top

Part No: 1999248



Height: 14 3/8" (365.1mm)	Diameter: 3" (76.2mm)
Inlet: 3/8" FSL	Outlet: 3/8" FSL
Fuse/Pressure: Moisture Indicator	Desiccant Level: 14
Port: Side	Glass: Side

Part No: 1999249



Height: 8" (203.2mm)	Diameter: 2 1/2" (63.5mm)
Inlet: 3/8" Male O-Ring	Outlet: 3/8" Male O-Ring
Fuse/Pressure: Service Port	Desiccant Level: 4
Port: Top	Glass: Top

Part No: 1999250



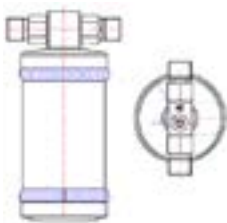
Height: 7 15/16" (201.6mm)	Diameter: 4" (101.6mm)
Inlet: 3/8" Male Flare	Outlet: 3/8" Male Flare
Desiccant Level: 11	

Part No: 1999252



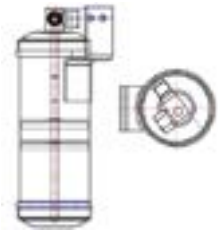
Height: 8 7/8" (225.5mm)	Diameter: 4" (101.6mm)
Inlet: 3/8" Female O-Ring	Outlet: 3/8" Male O-Ring
Fuse/Pressure: Moisture Indicator	Desiccant Level: 14
Port: Top	Glass: Top

Part No: 1999254



Height: 6 5/16" (160.3mm)	Diameter: 2 1/2" (63.5mm)
Inlet: M18 Male O-Ring	Outlet: M18 Male O-Ring
Glass: Top	Desiccant Level: 5

Part No: 1999255



Height: 9 1/4" (235mm)	Diameter: 3" (76.2mm)
Inlet: 3/8" Male O-Ring	Outlet: 3/8" Female O-Ring
Desiccant Level: 6	

Part No: 1999256



Height: 8" (203.2mm)	Diameter: 2 1/2" (63.5mm)
Inlet: 3/8" Male O-Ring	Outlet: 3/8" Male O-Ring
Desiccant Level: 4	

Receiver Driers

O-Ring Type Receiver Driers (cont'd)

Part No: 1999257



Height: 7 15/16" (201.6mm)	Diameter: 4" (101.6mm)
Inlet: 3/8" Male O-Ring	Outlet: 3/8" Male O-Ring
Fuse/Pressure: Pressure Switch/Press Relief Valve/Moisture Indicator	Desiccant Level: 13
Port: Side	

Part No: 1999261




Height: 6 5/16" (160.3mm)	Diameter: 3" (76.2mm)
Inlet: 3/8" Male O-Ring	Outlet: 3/8" Male O-Ring
Fuse/Pressure: Press Relief Valve	Desiccant Level: 6
Port: Side	
Glass: Top	

Part No: 1999262



Height: 8 3/16" (208mm)	Diameter: 3 3/4" (95.2mm)
Inlet: 3/8" Female O-Ring	Outlet: 3/8" Male O-Ring
Glass: Top	Desiccant Level: 6

Part No: 1999263



Height: 8 3/16" (208mm)	Diameter: 4" (101.6mm)
Inlet: 3/8" Male O-Ring	Outlet: 3/8" Male O-Ring
Fuse/Pressure: Fusible Plug/ Moisture Indicator	Desiccant Level: 11
Port: Top	

Part No: 1999264



Height: 9 1/2" (241.3mm)	Diameter: 3" (76.2mm)
Inlet: 5/8" Male Flare	Outlet: 5/8" Male Flare
Fuse/Pressure: Service Port	Desiccant Level: 6
Port: Top	

Part No: 1999265




Height: 8 15/16" (227mm)	Diameter: 4" (101.6mm)
Inlet: 3/8" Female O-Ring	Outlet: 3/8" Male O-Ring
Glass: Top	Desiccant Level: 7

Part No: 1999267



Height: 8 13/16" (223.8mm)	Diameter: 2 3/4" (69.9mm)
Inlet: 5/16" Male O-Ring	Outlet: 3/8" Male O-Ring
Fuse/Pressure: Fusible Plug	Desiccant Level: 7
Port: Side	
Glass: Top	

Part No: 1999268



Height: 10 1/16" (255.6mm)	Diameter: 3" (76.2mm)
Inlet: 3/8" Male O-Ring	Outlet: 3/8" Male O-Ring
Fuse/Pressure: Fuse Plug	Desiccant Level: 18
Glass: Top	

Part No: 1741030000



Height: 8 3/16" (208mm)	Diameter: 2 1/2" (63.5mm)
Inlet: 3/8" Male O-Ring	Outlet: 3/8" Female O-Ring
Fuse/Pressure: Refrigerant Valve with Core	Desiccant Level: 3.4
Glass: Top	



O-Ring Type Receiver Driers (cont'd)

Part No: 1741330000



Height: 5 3/4" (146mm)	Diameter: 3" (76.2mm)
Inlet: 3/8" Male O-Ring	Outlet: 3/8" Female O-Ring
Fuse/Pressure: Refrigerant Valve with Core	


Quick Disconnect Type Receiver Driers

Part No: 1912023



Height: 10 1/4" (260.4mm)	Diameter: 3" (76.2mm)
Inlet: Quick Disconnect	Outlet: Quick Disconnect
Fuse/Pressure: Service Port/Service Port	Desiccant Level: 18
Port: Top	Glass: Top

Part No: 1914004



Height: 10" (254mm)	Diameter: 3" (76.2mm)
Inlet: Quick Disconnect	Outlet: Quick Disconnect
Fuse/Pressure: Moisture Indicator	Glass: Side

Receiver Driers

Flare Type Receiver Driers

Part No: 1999029



Height: 8" (203.2mm)	Diameter: 2 1/2" (63.5mm)
Inlet: 3/8" Male Flare	Outlet: 3/8" Male Flare
Desiccant Level: 4	

Part No: 1999030



Height: 6 1/4" (158.75mm)	Diameter: 3" (76.2mm)
Inlet: 3/8" Male Flare	Outlet: 3/8" Male Flare
Fuse/Pressure: Fuse Plug	Glass: Top
Port: Side	

In-Line Type Receiver Driers

Part No: 1915002



Height: 7 3/4" (196.8mm)	Diameter: 4" (101.6mm)
Inlet: 3/8" Male O-Ring	Outlet: 3/8" Male O-Ring
Port: Top	Desiccant Level: 12
Glass: Top	

Part No: 1975003



Height: 7 5/8" (193.7mm)	Diameter: 2 1/2" (63.5mm)
Inlet: 3/8" Female O-Ring	Outlet: 3/8" Male O-Ring
Fuse/Pressure: High Pressure Relief Valve	Desiccant Level: 16
Port: Top	Glass: Top

Part No: 1999210



Height: 9 9/16" (243mm)	Diameter: 2 1/2" (63.5mm)
Inlet: 3/8" Male O-Ring	Outlet: 3/8" Male O-Ring
Fuse/Pressure: Switch Port	Port: Top

Part No: 1999212



Height: 9 1/4" (235mm)	Diameter: 3 1/2" (88.9mm)
Inlet: 1"-14	Outlet: 13/16"-16
Desiccant Level: 39.2	

Part No: 1999223



Height: 8 3/16" (208mm)	Diameter: 2 1/2" (63.5mm)
Inlet: 1/2" Male O-Ring	Outlet: 1/2" Male O-Ring
Fuse/Pressure: Moisture Indicator	Desiccant Level: 2.2
Glass: Side	

Part No: 1999224



Height: 11 5/16" (287mm)	Diameter: 3" (76.2mm)
Inlet: 1/2" Male O-Ring	Outlet: 1/2" Male O-Ring
Fuse/Pressure: Moisture Indicator	Desiccant Level: 30
Port: Side	

In-Line Type Receiver Driers (cont'd)

Part No: 1999229 		Part No: 1999230 		Part No: 1999232 	
Height: 9 1/2" (241.3mm)	Diameter: 2 1/2" (63.5mm)	Height: 11 5/16" (287mm)	Diameter: 3" (76.2mm)	Height: 10" (254mm)	Diameter: 3" (76.2mm)
Inlet: 3/8" Male O-Ring	Outlet: 3/8" Male O-Ring	Inlet: 1/2" Male O-Ring	Outlet: 1/2" Male O-Ring	Inlet: 1/2" Male Flare	Outlet: 1/2" Male Flare
Desiccant Level: 11		Fuse/Pressure: Moisture Indicator	Desiccant Level: 32	Desiccant Level: 3	
		Port: Side			

Part No: 1999235 		Part No: 1999236 		Part No: 1999238 	
Height: 9 1/2" (241.3mm)	Diameter: 3" (76.2mm)	Height: 7 13/16" (198.4mm)	Diameter: 2 1/2" (63.5mm)	Height: 7 1/8" (181mm)	Diameter: 2 1/2" (63.5mm)
Inlet: 1/2" Male O-Ring	Outlet: 1/2" Male O-Ring	Inlet: 1/2" Male O-Ring	Outlet: 1/2" Male O-Ring	Inlet: 1/2" Male O-Ring	Outlet: 1/2" Male O-Ring
Desiccant Level: 6		Fuse/Pressure: Moisture Indicator	Desiccant Level: 11	Desiccant Level: 14	
		Port: Side			

Part No: 1999240 		Part No: 1999246 		Part No: 1999247 	
Height: 5 7/16" (138mm)	Diameter: 2 1/2" (63.5mm)	Height: 7 7/8" (200mm)	Diameter: 4" (101.6mm)	Height: 6 1/16" (154mm)	Diameter: 4" (101.6mm)
Inlet: 3/8" Male O-Ring	Outlet: 3/8" Male O-Ring	Inlet: 3/8" Male O-Ring	Outlet: 3/8" Male O-Ring	Inlet: 1/2" Male O-Ring	Outlet: 1/2" Male O-Ring
Desiccant Level: 4		Desiccant Level: 11		Desiccant Level: 18	

Receiver Driers

In-Line Type Receiver Driers (cont'd)

Part No: 1999251




Height: 10 3/8" (263.5mm)	Diameter: 3 1/2" (88.9mm)
Inlet: 5/8" Male Flare	Outlet: 5/8" Male Flare
Desiccant Level: 22	

Part No: 1999253



Height: 11" (279.4mm)	Diameter: 2 1/2" (63.5mm)
Inlet: 3/8" Male O-Ring	Outlet: 1/2" Male O-Ring
Desiccant Level: 4	

Part No: 1999258



Height: 9 7/16" (240mm)	Diameter: 3" (76.2mm)
Inlet: 5/8" Male O-Ring	Outlet: 5/8" Male O-Ring
Desiccant Level: 18	

Part No: 1999259




Height: 11 1/2" (292.1mm)	Diameter: 3" (76.2mm)
Inlet: 3/8" Female O-Ring	Outlet: 3/8" Male O-Ring
Desiccant Level: 18	

Part No: 1999260



Height: 11 5/8" (295.3mm)	Diameter: 3" (76.2mm)
Inlet: 3/8" Female O-Ring	Outlet: 3/8" Male O-Ring
Desiccant Level: 15	

Part No: 1999266




Height: 9 11/16" (246mm)	Diameter: 3 1/2" (88.9mm)
Inlet: 5/8" Male O-Ring	Outlet: 5/8" Male O-Ring

Part No: 1999269




Height: 7 3/4" (196.8mm)	Diameter: 2 1/2" (63.5mm)
Inlet: Quick Disconnect	Outlet: Quick Disconnect
Desiccant Level: 16	

Part No: 1999270



Height: 7 53/64" (199mm)	Diameter: 4" (101.6mm)
Inlet: 5/8" Female O-Ring	Outlet: 5/8" Male O-Ring
Port: Top	Desiccant Level: 12
Glass: Top	

Part No: 1999271



Height: 10 25/32" (274mm)	Diameter: 2 31/64" (63mm)
Fuse/Pressure: M8 x 1.25	Desiccant Level: 15



Part No: 1999272



Height: 7 3/64" (179mm)	Diameter: 3 1/2" (63.5mm)
-------------------------	---------------------------

Accumulators

Part No: 1910002



Height: 9" (228.6mm)	Diameter: 3 1/2" (88.9mm)
Inlet: M27 Male Insert O-Ring	Outlet: M27 Female Insert O-Ring
Fuse/Pressure: 12mm Switch Port	

Part No: 1911013



Height: 8 1/8" (206.4mm)	Diameter: 3 1/2" (88.9mm)
Inlet: 5/8" Male Insert O-Ring	Outlet: 3/4" Male Insert O-Ring
Fuse/Pressure: Charging Valve, Switch Ports	Port: Charging Valve, Switch

Part No: 1913011



Height: 7 1/16" (179.5mm)	Diameter: 3" (76.2mm)
Inlet: Pad Mount	Outlet: Pad Mount
Fuse/Pressure: 12mm Switch Port/13mm Charge Port	Desiccant Level: 4.6
Port: Side	

Part No: 1913012



Height: 6 1/4" (158.8mm)	Diameter: 4 1/2" (114.3mm)
Inlet: Pad Mount	Outlet: Pad Mount

Part No: 1913015



Height: 10 7/8" (276.2mm)	Diameter: 3 1/2" (88.9mm)
Inlet: Pad Mount	Outlet: Pad Mount
Desiccant Level: 7	

Part No: 1913016



Height: 6 5/16" (160.3mm)	Diameter: 3" (76.2mm)
Inlet: 3/8" Tube O-Ring	Outlet: Pad Mount
Desiccant Level: 5	

Receiver Driers

RECEIVER DRIERS

Part No: 1913017



Height: 6" (152.4mm)	Diameter: 3" (76.2mm)
Inlet: Pad Mount	Outlet: Pad Mount
Desiccant Level: 5	

Part No: 1917008



Height: 9 1/4" (235mm)	Diameter: 3 1/2" (88.9mm)
Inlet: Pad Mount	Outlet: Pad Mount
Desiccant Level: 7	

Part No: 1999004



Height: 12 5/16" (312.4mm)	Diameter: 3 1/2" (88.9mm)
Inlet: 5/8" Male Insert O-Ring	Outlet: 5/8" Male Insert O-Ring
Fuse/Pressure: 12mm Switch Port/R-134a Quick Coupler Service Port	

Part No: 1999014



Height: 7 1/2" (190.5mm)	Diameter: 3 1/2" (88.9mm)
Inlet: 3/8" Female Springlock	Outlet: 5/8" Female Springlock
Fuse/Pressure: Switch Port/Service Port	Desiccant Level: 7

Part No: 1999225



Height: 8 5/8" (219mm)	Diameter: 3 1/2" (88.9mm)
Inlet: Pad Mount	Outlet: Pad Mount
Desiccant Level: 7	

Part No: 1999231



Height: 9 7/8" (250.8mm)	Diameter: 2 3/8" (60.3mm)
Inlet: Pad Mount	Outlet: Pad Mount
Desiccant Level: 3	

Part No: 1999241



Height: 8 15/16" (227mm)	Diameter: 3" (76.2mm)
Inlet: Pad Mount	Outlet: Pad Mount
Desiccant Level: 6	

Mounting Brackets

Part No: 1999200



General Specifications: Receiver Drier Bracket

Part No: 1999202



General Specifications: Receiver Drier Bracket, economical model for light duty applications (accepts 2 1/2" diameter driers)

Pressure Relief Valve Kits

Part No: 2799222



General Specifications: Pressure Relief Valve Kit

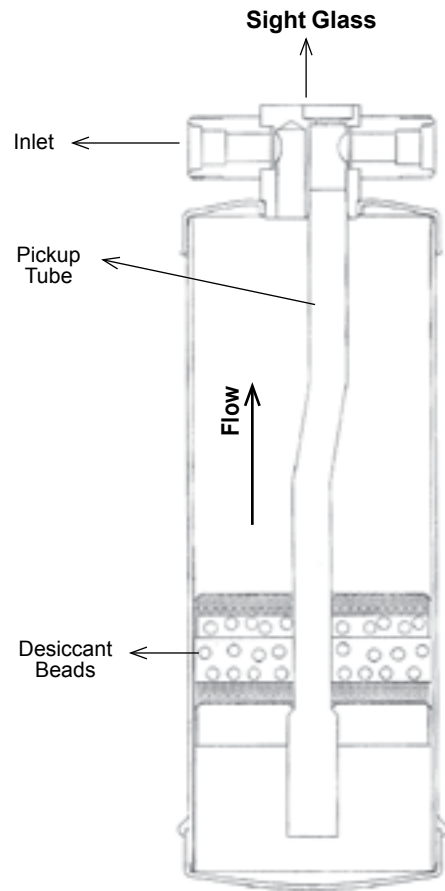


Service Tips

Receiver Drier Service Tips

The receiver drier stores excess refrigerants, filters out contaminants from the HVAC system, and removes moisture to protect the system from internal corrosion.

Service Tips on Receiver Driers	
Placement	Placement should be on the high-pressure side and warm to touch during operation.
Visually Inspect for Leaks	Visually inspect fittings; note any oil seepage. This may indicate a leak.
Receiver Drier Replacement	Upon opening the system always replace the receiver drier with a new, original OEM part.
Fittings	Never leave the fittings uncovered prior to installation.
HVAC System Servicing	The receiver Drier should be the last component replaced during service of the HVAC system.



Notes



KYSOR
by Bergstrom.

Air Conditioning & Heating
Replacement Parts



Switches

Electrical Switches	428
Air Cylinders	428
Clutch & Micro Switch	428
Push Button Switches	429
Rocker Switches	429
Rotary Switches	431
Toggle Switches	433
Binary Pressure Switches	435
Pressure Switches	435
Trinary Pressure Switches	436
High Pressure Switches	436
High Pressure Cutout Switches	440
Low Pressure Cutout Switches	440
Low Pressure Switches	441
Miscellaneous Pressure Switches	443
Cycling Pressure Switches	444
Thermostatic Switches	444
Cable Controlled Thermostats	444
Preset Thermostats	445
Rotary & Variable Thermostats	446
Miscellaneous Switches	447
Miscellaneous Switches	447
Fan Switches	448
Switch Kits	449
Circuit Breakers	450
Lamps	452
Linear Power Modules	452

Relays	453
Relays	454
Resistors	455
Resistors	456
Sensors	457
Sensors	458



Availability of the products shown in this catalog is subject to change without notice by Bergstrom, Inc. For the most current product information please visit the Kysor distributor website at <https://parts.kysorhvac.com/>.

Electrical Switches

Air Cylinders

SWITCHES

Part No: 3212008



Shaft Length: 2 1/2" (63.5mm)
 Shaft Diameter: 29/32" (22.86mm)
 Fitting Type: 3/16" Push-In
 General Specifications: Double

Part No: 3299045



Motor Length: 4 11/16" (119.13mm)
 Shaft Diameter: 57/64" (22.61mm)
 Fitting Type: 1/8" Push-In Nylon Tube
 General Specifications: Double

Part No: 3299046



Motor Length: 3 25/32" (96.01mm)
 Shaft Diameter: 13/16" (20.57mm)

Part No: 3299047



Motor Length: 5 1/2" (139.7mm)
 Shaft Diameter: 7/8" (22.35mm)
 Fitting Type: 3/16" Push-In Nylon Tube
 General Specifications: Double

Part No: 3299048



Motor Length: 4 15/16" (125.22mm)
 Shaft Diameter: 45/64" (17.78mm)
 Fitting Type: 3/16" Push-In Nylon Tube

Part No: 3299049



Motor Length: 3 11/16" (93.73mm)
 Shaft Diameter: 5/8" (15.88mm)
 Fitting Type: 3/16" Push-In Nylon Tube
 General Specifications: Dual Shaft

Clutch & Micro Switch

Part No: 2112005



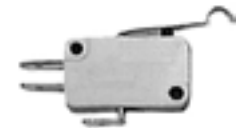
Pole/Throw Type: DPDT
 No./Type of Terminal: 2
 Function: ON-OFF

Part No: 2112015



No./Type of Terminal: 7
 Function: Central Switch

Part No: 2114003



General Specifications: Clutch Switch
 Pole/Throw Type: SPDT
 No./Type of Terminal: 3
 Function: ON-OFF

Part No: 2199003



Voltage: 12V
Type: Manual
General Specifications: Clutch Switch
Amps: 15amp
Pole/Throw Type: SPDT
No./Type of Terminal: 3
Function: ON-OFF

Push Button Switches

Part No: 2114004



General Specifications: Square Push Button Valve; 3-Way, Normally Closed
Function: ON-OFF

Part No: 2175011



Voltage: 12V
General Specifications: A/C Switch Push Button
Amps: 5 amp
Pole/Throw Type: SPDT
No./Type of Terminal: 2
Function: ON-OFF

Rocker Switches

Part No: 2112002



Pole/Throw Type: Rocker
No./Type of Terminal: 9
Function: ON-OFF

Part No: 2112008



Pole/Throw Type: Rocker
No./Type of Terminal: 10
Function: ON-OFF

Part No: 2117001



Speed: 2
Voltage: 12
Pole/Throw Type: DPDT
No./Type of Terminal: 6
Function: ON-OFF-ON

Electrical Switches

Rocker Switches (cont'd)

SWITCHES

Part No: 2117004



Pole/Throw Type: SPDT
 No./Type of Terminal: 5
 Function: ON-OFF

Part No: 2118002



Voltage: 12V
 Pole/Throw Type: SPDT
 No./Type of Terminal: 2
 Function: ON-OFF

Part No: 2175001



Voltage: 12V
 Amps: 25amp
 Pole/Throw Type: DPST
 No./Type of Terminal: 4
 Function: ON-OFF

Part No: 2199020



Speed: 2
 Voltage: 12V
 Pole/Throw Type: SPST
 No./Type of Terminal: 2

Part No: 2199021



General Specifications: Double Rocker Fan Switch
 Pole/Throw Type: DPDT
 No./Type of Terminal: 5
 Function: ON-OFF-ON

Part No: 2199022



Pole/Throw Type: SPDT
 No./Type of Terminal: 3
 Function: ON-OFF-ON

Part No: 2199023



Pole/Throw Type: DPDT
 No./Type of Terminal: 5
 Function: ON-OFF-ON

Rotary Switches

SWITCHES

Part No: 2112013



Pole/Throw Type: Rotary
No./Type of Terminal: 6

Part No: 2113012



Pole/Throw Type: Rotary
No./Type of Terminal: 3

Part No: 2113013




Pole/Throw Type: Rotary
No./Type of Terminal: 3

Part No: 2114007




Pole/Throw Type: Rotary
No./Type of Terminal: 4

Part No: 2115004



Speed: 4
General Specifications: Blower Switch
Pole/Throw Type: Rotary
No./Type of Terminal: 6

Part No: 2118001




Speed: 3
Voltage: 12V
Amps: 25 amp
Pole/Throw Type: Rotary
No./Type of Terminal: 5

Part No: 2118003




Speed: 3
Pole/Throw Type: Rotary
No./Type of Terminal: 5

Part No: 2175002



Speed: 3
Voltage: 24V
No./Type of Terminal: 3

Part No: 2175003



Speed: 3
Voltage: 12V
General Specifications: Tandem Blower Switch w/ resistor
No./Type of Terminal: 6

Electrical Switches

Rotary Switches (cont'd)

SWITCHES

Part No: 2175004



Speed: 3
Voltage: 24
No./Type of Terminal: 6

Part No: 2199002



Speed: 3
Voltage: 12
No./Type of Terminal: 3

Part No: 2199005



Speed: 3
Voltage: 12V
General Specifications: Blower Switch
Amps: 20 amp
No./Type of Terminal: 5

Part No: 2199024



Speed: 3
Voltage: 12V
Amps: 25 amp
No./Type of Terminal: 5

Part No: 2199025



Speed: 2
Voltage: 12V
General Specifications: Blower Switch
Amps: 15 amp
No./Type of Terminal: 3

Part No: 2199026



Speed: 3
Voltage: 12V
Amps: 25 amp
No./Type of Terminal: 5

Part No: 2199027



Speed: 3
Voltage: 12V
Amps: 25 amp
No./Type of Terminal: 5

Part No: 2199074



Speed: 1
Voltage: 12V
Amps: 20 amp
Pole/Throw Type: 12
No./Type of Terminal: 2
Function: ON-OFF

Part No: 2199089



Speed: 3
Voltage: 12V
Amps: 25 amp
Pole/Throw Type: 12
No./Type of Terminal: 5

Toggle Switches

Part No: 2112001



Pole/Throw Type: SPST
No./Type of Terminal: 2
Function: ON-OFF

Part No: 2113001



Pole/Throw Type: Toggle
Function: OFF-ON-ON-ON

Part No: 2113002



Pole/Throw Type: Toggle
Function: OFF-ON-ON-ON

Part No: 2113003




Pole/Throw Type: Toggle
Function: OFF-ON-ON-ON

Part No: 2114002



General Specifications: Blower fan switch
Pole/Throw Type: SPST
No./Type of Terminal: 5
Function: OFF-ON-ON-ON

Part No: 2114001



Voltage: 12V / 24V
General Specifications: Blower fan switch
Amps: 25 amp / 12.5 amp
Pole/Throw Type: SPST
No./Type of Terminal: 5
Function: OFF-ON-ON-ON

Part No: 2199006



Pole/Throw Type: DPDT
Function: ON-OFF-ON

Part No: 2199007



Pole/Throw Type: DPDT
Function: ON-OFF

Part No: 2199008



Pole/Throw Type: SPST
Function: OFF-ON-ON-ON

Electrical Switches

Toggle Switches (cont'd)

SWITCHES

Part No: 2199009



Pole/Throw Type: SPST
Function: ON-OFF

Part No: 2199010



Voltage: 12V
General Specifications: Chrome Toggle
Amps: 25 amp
Pole/Throw Type: DPST
No./Type of Terminal: 4
Function: ON-OFF

Part No: 2199019



General Specifications: Air control switch
Pole/Throw Type: 15/32"-32
Function: ON-OFF-ON

Part No: 2199061



General Specifications: Air control switch
Pole/Throw Type: 1/8" NPT Thread
Function: ON-OFF

Part No: 2199104



Pole/Throw Type: DPDT
No./Type of Terminal: 4
Function: ON-ON-ON

Binary Pressure Switches

This switch assembly performs two distinct functions. The first function prevents the compressor from operating if system charge is lost or ambient temperature is too low. The second stops compressor if head pressure increases to unsafe levels. It automatically resets when pressure drops back to normal.

Install binary on liquid side of A/C system between condenser and expansion valve, for use with R-12 and R-134a systems.

Binary Pressure Protection		
Low Pressure	30 - 15 Psi (Falling Pressure)	40 Psi (Rising Pressure)
High Pressure	270 - 330 Psi (Rising Pressure)	80 - 120 Psi Below (Opening Pressure)

Part No: 2212001



Mounting Configuration: 1/4" Female Binary Switch (R-12)

Part No: 2212002



Mounting Configuration: M10 Female Binary Switch (R-134a)

Part No: 2212004



Mounting Configuration: M10 Fitting

Part No: 2214006




Fitting Size: M10 x 1.25-6H
 No./Type of Terminal: Parkard Connectors
 Function: Normally Open
 Mounting Configuration: N/A
 Cut In: 200-300
 Cut Out: 380-420

Part No: 2299033



Mounting Configuration: 7/16"-20 UNF-2B Female Thread (Installation on Male Schrader Type Valve)

Part No: 2299107



Fitting Size: 7/16" 20UNF Female

Part No: 1211670000



Fitting Size: 7/16" 20UNF 2B
 Cut In: High Pressure: 19, Low Pressure: 2.1
 Cut Out: High Pressure: 25, Low Pressure: 2



Pressure Switches

Trinary Pressure Switches

This switch assembly performs three distinct functions. The first function prevents the compressor from operating if system charge is lost or ambient temperature is too low. The second stops compressor if head pressure increases to unsafe levels. It automatically resets when pressure drops back to normal. The third function is a shutter/fan override switch that keeps head pressure within normal range by opening shutters or operating engine fan to increase air flow across condenser when head pressure rises above set valve.

Install trinary on liquid side of A/C system between condenser and expansion valve, for use with R-12 and R-134a systems.

Trinary Pressure Protection		
Low Pressure	22.5±7.5 Psi (Falling Pressure)	40 Psi (Rising Pressure)
High Pressure	325±25 Psi	230±20 Psi Below (Opening Pressure)
Shutter/Fan Override	35 - 60 Psi Below (Closing Pressure)	200 - 230 Psi (Rising Pressure)

SWITCHES

Part No: 2299003



Position: Normally Open Shutter Fan Switch
 Mounting Configuration: 7/16"-20 UNF-2B Female Thread, 3/8"-24 UNF-2A Male Thread

Part No: 2299008



Position: Normally Closed Shutter Fan Switch
 Mounting Configuration: 7/16"-20 UNF-2B Female Thread

Part No: 2299100



Mounting Configuration: Trinary Boot (Provides a molded 4 wire connection to Trinary Switch. Lead wires are 28" long.) Helps eliminate terminal corrosion and breakage.

High Pressure Switches

Part No: 2211007



Fitting Size: 7/16"-20 UNF-2B Female
 No./Type of Terminal: Bare Leads
 Position: Normally Open
 Actuation: 260 psi
 Deactuation: 210 psi
 Lead Length: 6"

Part No: 2213002



Fitting Size: 1/4" Female Flare
 No./Type of Terminal: Parkard, Female Spade
 Function: Normally Open
 Position: Normally Open
 Actuation: 375 psi
 Deactuation: 250 psi
 Lead Length: 5 1/2"

Part No: 2213003



Fitting Size: 7/16"-20 Female
 No./Type of Terminal: N/A
 Position: Normally Closed
 Actuation: 250 psi
 Deactuation: 100 psi
 Lead Length: 5 1/2"



Part No: 2213006



Fitting Size: 1/4" Female Flare
No./Type of Terminal: Parkard Connectors
Function: Normally Closed
Position: Normally Closed
Actuation: 30 psi
Deactuation: 7 psi
Lead Length: 6"

Part No: 2213007



Fitting Size: M10 x 1.25-6H
No./Type of Terminal: Parkard Connectors
Function: Normally Open
Position: Normally Open
Actuation: 250 psi
Deactuation: 375 psi
Cut In: 355-395
Cut Out: 200-300

Part No: 2213012



Fitting Size: M10 x 1.25 Female Shrader
No./Type of Terminal: Metripack Connector
Function: Normally Closed
Position: Normally Closed
Actuation: 350 psi
Deactuation: 300 psi
Lead Length: 10", TO END OF CONNECTOR
Cut In: Set: 350
Cut Out: Reset: 300

Part No: 2214002



Fitting Size: M10 x 1.25-6H
No./Type of Terminal: Parkard Connectors
Function: Normally Open
Actuation: 350 psi
Deactuation: 230 psi
Cut In: 230
Cut Out: 350

Part No: 2214003



Fitting Size: M12 x 1.5-6H
No./Type of Terminal: Parkard Connectors
Function: Normally Open
Position: Normally Open
Actuation: 30 psi
Deactuation: 10 psi

Part No: 2214004



Fitting Size: M10 x 1.25 Female Shrader
No./Type of Terminal: Metripack Connector
Function: Normally Closed
Position: Normally Closed
Actuation: 285 psi
Deactuation: 245 psi
Lead Length: 10", TO END OF CONNECTOR
Cut In: Set: 285
Cut Out: Reset: 245

Part No: 2217001



Fitting Size: M10 x 1.25-6H
No./Type of Terminal: Parkard Connectors
Function: Normally Closed
Position: Closed
Actuation: 330 psi
Deactuation: 180 psi
Lead Length: N/A
Cut In: 180-240
Cut Out: 330-370

Part No: 2275001



Fitting Size: M10 x 1.25-6H
No./Type of Terminal: 1-way Male & Female Parkard Connectors
Function: Normally Closed
Lead Length: 3"
Cut In: 250
Cut Out: 350

Part No: 2275005



Fitting Size: 1/4" Female Flare
No./Type of Terminal: 1-way Male & Female Parkard Connectors
Function: Normally Closed
Position: Normally Closed
Actuation: 250 psi
Deactuation: 350 psi
Lead Length: 2"
Cut In: 250
Cut Out: 350

Pressure Switches

SWITCHES

Part No: 2275007



Fitting Size: 1/4" Female Flare
No./Type of Terminal: #8-32 UNF-2B Screw
Function: Normally Closed
Position: Normally Closed
Actuation: 200 psi
Deactuation: 300 psi
Cut In: 200
Cut Out: 300

Part No: 2275010



Fitting Size: 1/4" Female Flare
No./Type of Terminal: 1-way Male & Female Parkard Connectors
Function: Normally Open
Position: Open
Actuation: 35 psi
Deactuation: 10 psi
Lead Length: 3 15/16"
Cut In: 35
Cut Out: 10

Part No: 2275011



Fitting Size: M10 x 1.25-6H
No./Type of Terminal: Male and Female Bullet
Function: Normally Open
Lead Length: 3"
Cut In: 34
Cut Out: 26

Part No: 2275012



No./Type of Terminal: 1/4" Female Flare
Function: Normally Open
Lead Length: 3"
Cut In: 42
Cut Out: 10

Part No: 2275013



Fitting Size: 1/4" Female Flare
No./Type of Terminal: 1-way Male & Female Parkard Connectors
Function: Normally Closed
Lead Length: 3"
Cut In: 200
Cut Out: 300

Part No: 2299002



Fitting Size: N/A
No./Type of Terminal: N/A
Position: Normally Open
Actuation: 150 psi
Deactuation: 215 psi
Lead Length: N/A

Part No: 2299012



Fitting Size: 1/4" Female Flare
No./Type of Terminal: Bare Leads
Function: Normally Open
Position: Open
Actuation: 260 psi
Deactuation: 180 psi
Lead Length: 6"
Cut In: 260
Cut Out: 180

Part No: 2299013



Fitting Size: 1/4" Female Flare
No./Type of Terminal: Parkard Connectors
Function: Normally Open
Position: Normally Open
Actuation: 300 ± psi
Deactuation: 210 ± psi
Lead Length: 5 1/2"
Cut In: 300
Cut Out: 210

Part No: 2299014



Fitting Size: 1/4" Female Flare
No./Type of Terminal: Bare Leads
Function: Normally Closed
Position: Closed
Actuation: 200 psi
Deactuation: 375 psi
Lead Length: 8"
Cut In: 200
Cut Out: 375



Part No: 2299017

Fitting Size: M10 x 1.25-6H
No./Type of Terminal: Bare Leads
Function: Normally Open
Position: Open
Actuation: 260 psi
Deactuation: 180 psi
Lead Length: 6"
Cut In: 260
Cut Out: 180

Part No: 2299018

Fitting Size: M10 x 1.25-6H
No./Type of Terminal: 1-way Male & Female Parkard Connectors
Function: Normally Closed
Position: Closed
Actuation: 200 psi
Deactuation: 300 psi
Lead Length: 2"
Cut In: 200
Cut Out: 300

Part No: 2299019

Fitting Size: M10 x 1.25-6H
No./Type of Terminal: Bare Leads
Function: Normally Open
Position: Open
Actuation: 260 psi
Deactuation: 210 psi
Lead Length: 6"
Cut In: 260
Cut Out: 210

Part No: 2299020

Fitting Size: M10 x 1.25-6H
No./Type of Terminal: Bare Leads
Function: Normally Closed
Position: Closed
Actuation: 210 psi
Deactuation: 260 psi
Lead Length: 6"
Cut In: 210
Cut Out: 260

Part No: 2299021

Fitting Size: M10 x 1.25-6H
No./Type of Terminal: #8-32 UNF-2B Screw
Function: Normally Open
Position: Open
Actuation: 260 psi
Deactuation: 210 psi
Cut In: 260
Cut Out: 210

Part No: 2299102

Fitting Size: M10 x 1.25-6H
No./Type of Terminal: Parkard Connectors
Function: Normally Closed
Position: Closed
Actuation: 300 psi
Deactuation: 200 psi
Lead Length: 3"
Cut In: 200
Cut Out: 300

Part No: 2299104

Fitting Size: M10 X 1.25 W/ Schrader Depressed
No./Type of Terminal: Parkard Connectors
Function: Normally Closed
Actuation: 230 psi
Deactuation: 360 psi
Lead Length: 4 13/23"
Cut In: 230
Cut Out: 360

Part No: 2299106

Fitting Size: M10 x 1.25-6H
No./Type of Terminal: Bare Leads
Function: Normally Closed
Position: Closed
Actuation: 300 psi
Deactuation: 200 psi
Lead Length: 3"
Cut In: 200
Cut Out: 300

Pressure Switches

High Pressure Cutout Switches

Part No: 2299035



Fitting Size: M10 x 1.25 Female Shrader
No./Type of Terminal: Metripack Connector
Function: Normally Closed
Position: Closed
Actuation: 300 psi
Deactuation: 260 psi
Lead Length: 10", TO END OF CONNECTOR
Cut In: Set: 300
Cut Out: Reset: 260

Part No: 2299036



Fitting Size: M10 x 1.25 Female Shrader
No./Type of Terminal: Metripack Connector
Function: Normally Closed
Position: Closed
Actuation: 300 psi
Deactuation: 260 psi
Lead Length: 10", TO END OF CONNECTOR
Cut In: Set: 300
Cut Out: Reset: 260

SWITCHES

Low Pressure Cutout Switches

Part No: 2213009



Fitting Size: M12 x 1.25 Female Shrader
No./Type of Terminal: Metripack Connector
Function: Normally Closed
Position: Normally Closed
Actuation: N/A
Deactuation: N/A
Lead Length: 10", TO END OF CONNECTOR
Cut In: Set: 34
Cut Out: Reset: 10

Part No: 2299037



Fitting Size: M12 x 1.5 Female Shrader
No./Type of Terminal: Metripack Connector
Function: Normally Closed
Position: Closed
Actuation: 34 psi
Deactuation: 10 psi
Lead Length: 10", TO END OF CONNECTOR
Cut In: Set: 34
Cut Out: Reset: 10


Low Pressure Switches

Part No: 2213001




Fitting Size: 1/4" Female Flare
No./Type of Terminal: Packard Connectors
Position: Normally Closed
Actuation: 30 psi
Deactuation: 7 psi max.
Lead Length: 5 1/2"

Part No: 2213010



Fitting Size: 1/4" Female Flare
No./Type of Terminal: Packard Connectors
Function: Normally Closed
Position: Normally Closed
Actuation: 300 psi
Deactuation: 210 psi
Lead Length: 6"
Cut In: 300
Cut Out: 210

Part No: 2213016



Fitting Size: M12 x 1.5 Female O-Ring Fitting
No./Type of Terminal: N/A
Function: Normally Closed
Actuation: N/A
Deactuation: N/A
Lead Length: 4 23/64"
Cut In: Actuation: 30
Cut Out: Release: 5

Part No: 2213017



Fitting Size: M12 x 1.5-6H
No./Type of Terminal: Packard Connectors
Function: Normally Open
Actuation: 32 psi
Deactuation: 3 psi
Cut In: 22-32
Cut Out: 42438

Part No: 2217002



Fitting Size: M12 x 1.5-6H
No./Type of Terminal: Packard Connectors
Position: Open
Actuation: 23 psi
Deactuation: 47 psi
Cut In: 47
Cut Out: 19.5-22.5

Part No: 2217003



Fitting Size: M10 x 1.25-6H
No./Type of Terminal: Packard Connectors
Function: Normally Closed
Actuation: 320 psi
Deactuation: 250 psi
Cut In: 250-210
Cut Out: 320-280

SWITCHES



Pressure Switches

Part No: 2217004



Length: 2 3/64" (52mm)

Fitting Size: M12 x 1.5

Function: Normally Open

Position: Open

Actuation: 44 psi

Deactuation: 21psi

Part No: 2275003



Fitting Size: M10 x 1.25-6H

No./Type of Terminal: 1-way Male & Female Parkard Connectors

Function: Normally Open

Position: Open

Actuation: 34 psi

Deactuation: 6 psi

Lead Length: 2"

Cut In: 34

Cut Out: 6

Part No: 2275004



Fitting Size: M10 x 1.25-6H

No./Type of Terminal: 1-way Male & Female Parkard Connectors

Function: Normally Open

Position: Open

Actuation: 35 psi

Deactuation: 10 psi

Lead Length: 2"

Cut In: 35

Cut Out: 10

Part No: 2299001



Fitting Size: 1/4" Female Flare

No./Type of Terminal: Bare Leads

Function: Normally Open

Position: Normally Open

Actuation: 34 psi

Deactuation: On Pressure Drop 10 psi

Lead Length: 3"

Cut In: 34

Cut Out: 6

Part No: 2299005



Fitting Size: 3/8"-24 UNF. 2A Thread

No./Type of Terminal: Male 1/4" Spade

Function: Normally Open

Position: Normally Open

Deactuation: 27 psi (R-134a)

Cut In: 3

Cut Out: 28.6

Part No: 2299010



Fitting Size: 1/4" Female Flare

No./Type of Terminal: Male Bullet, Female Receptacle

Function: Normally Open

Position: Normally Open

Actuation: 35 psi

Deactuation: 15 psi

Lead Length: 3"

Cut In: Open 11

Cut Out: Close 39

Part No: 2299022



Fitting Size: 1/4" (7/16"-20) Female SAE Flare

No./Type of Terminal: 1/4" Male & Female Blades

Position: Open

Actuation: 34 psi

Deactuation: 25 psi

Lead Length: 3"

Part No: 2299023



Fitting Size: 1/4" Female Flare

No./Type of Terminal: Bare Leads

Function: Normally Closed

Position: Normally Open

Actuation: 34 ± 4 psi

Deactuation: 12 ± 3 psi

Lead Length: 3"

Cut In: 200

Cut Out: 300

Part No: 2299024



Fitting Size: 1/4" Female Flare

No./Type of Terminal: #8-32 UNF-2B Screw

Function: Normally Open

Position: Open

Actuation: 34 psi

Deactuation: 6 psi

Cut In: 34

Cut Out: 6



Part No: 2299101



Fitting Size: M12 x 1.5-6H
No./Type of Terminal: Parkard Connectors
Function: Normally Open
Actuation: 34 psi
Deactuation: 18 psi
Lead Length: N/A
Cut In: 26-34
Cut Out: 10-18

Part No: 2299105



Fitting Size: M12 x 1.5 w/ Schrader Depressed
No./Type of Terminal: Parkard Connectors
Function: Normally Open
Actuation: 30psi
Deactuation: 10 psi
Lead Length: 1 7/8"
Cut In: 30
Cut Out: 10

Part No: 2299108



Function: Normally Open
Lead Length: 3 1/2"
Cut In: 43
Cut Out: 6

Miscellaneous Pressure Switches

Part No: 2212006



Fitting Size: N/A
No./Type of Terminal: N/A
Function: Normally Open
Position: Normally Open
Actuation: 65 psi
Deactuation: 75 psi
Cut In: 65
Cut Out: 75

Part No: 2299031



Fitting Size: M12
No./Type of Terminal: N/A
Function: Normally Closed
Position: Normally Closed
Cut In: 34
Cut Out: 10

Part No: 2299032



Fitting Size: M10 x 1.25-6H
No./Type of Terminal: #8-32 UNF-2B Screw
Function: Normally Closed
Position: Normally Closed
Actuation: 250 psi
Deactuation: 350 psi
Cut In: 250
Cut Out: 350

Thermostatic Switches

Cycling Pressure Switches

SWITCHES

Part No: 2210001



Fitting Size: M12
No./Type of Terminal: 2
Position: Closed
Actuation: 44 psi
Deactuation: 21 psi

Part No: 2212005



Fitting Size: M10 x 1.25-6H
No./Type of Terminal: Parkard Connectors
Function: Normally Closed
Position: Closed
Actuation: 300 psi
Deactuation: 250 psi
Lead Length: 5"
Cut In: 300
Cut Out: 250

Cable Controlled Thermostats

Part No: 2313001



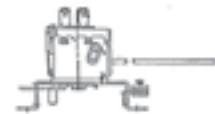
Capillary Length: 42"
Switch Type: Variable
Temperature Range: 30°F - 40°F (-1°C - 4°C)
Clutch Cycle Range: 10°F (-12°C)

Part No: 2318001



Capillary Length: 31 1/2"
Switch Type: Variable
Temperature Range: 31°F - 40°F (-1°C - 4°C)
Clutch Cycle Range: 9°F (-13°C)

Part No: 2399010



Capillary Length: 18"
Switch Type: Variable
Temperature Range: 28°F - 40°F (-2°C - 4°C)
Clutch Cycle Range: 5°F (-15°C)

Part No: 2399011



Capillary Length: 18"
Temperature Range: 28°F - 40°F (-2°C - 4°C)

Preset Thermostats

Part No: 2312001



Capillary Length: 16 1/2"
 Switch Type: Fixed
 Temperature Range: 28°F - 35°F (-2°C - 2°C)
 Clutch Cycle Range: 7°F (-14°C)

Part No: 2313002



Capillary Length: 24"
 Switch Type: Fixed
 Temperature Range: 34°F - 44°F (1°C - 7°C)
 Clutch Cycle Range: 10°F (-12°C)

Part No: 2313003



Capillary Length: 24"
 Switch Type: Fixed
 Temperature Range: 30°F - 36°F (-1°C - 2°C)
 Clutch Cycle Range: 6°F (-14°C)

Part No: 2314002



Capillary Length: 15"
 Switch Type: Fixed
 Temperature Range: 31°F - 39.5°F (-1°C - 4°C)
 Clutch Cycle Range: 8.5°F (-13°C)

Part No: 2318002



Capillary Length: 31 31/64"
 Switch Type: Fixed
 Temperature Range: 31°F - 39.5°F (-1°C - 4°C)
 Clutch Cycle Range: 8.5°F (-13°C)

Part No: 2318004



Capillary Length: 21"
 Switch Type: Fixed
 Temperature Range: 31°F - 40°F (-1°C - 4°C)
 Clutch Cycle Range: 9°F (-13°C)

Part No: 2399001



Capillary Length: 24"
 Switch Type: Fixed
 Temperature Range: 31°F - 39°F (-1°C - 4°C)
 Clutch Cycle Range: 8°F (-13°C)

Part No: 2399003



Capillary Length: 24 1/2"
 Switch Type: Fixed
 Temperature Range: 31°F - 39°F (-1°C - 4°C)
 Clutch Cycle Range: 8°F (-13°C)

Part No: 2399005



Capillary Length: 24"
 Switch Type: Fixed
 Temperature Range: 31°F - 39°F (-1°C - 4°C)
 Clutch Cycle Range: 8°F (-13°C)



Thermostatic Switches

SWITCHES

Part No: 2399006



Capillary Length: 21"
Switch Type: Fixed
Temperature Range: 31°F - 39.5°F (-1°C - 4°C)
Clutch Cycle Range: 8.5°F (-13°C)

Part No: 2399009



Capillary Length: 12 1/2"
Switch Type: Fixed
Temperature Range: 31.1°F - 39.6°F (-1°C - 4°C)
Clutch Cycle Range: 8°F (-13°C)

Part No: 2399015



Capillary Length: 9 1/2"
Switch Type: Fixed
Temperature Range: 31°F - 39.5°F (-1°C - 4°C)
Clutch Cycle Range: 8.5°F (-13°C)

Part No: 2399023



Capillary Length: 12 1/2"
Switch Type: N/A
Temperature Range: 31.1°F - 39.6°F (-1°C - 4°C)
Clutch Cycle Range: 8.5°F (-13°C)

Part No: 2399026



Capillary Length: 15"
Switch Type: Fixed
Temperature Range: 31°F - 39.5°F (-1°C - 4°C)
Clutch Cycle Range: 8.5°F (-13°C)

Rotary & Variable Thermostats

Part No: 2375001



Capillary Length: 18"
Switch Type: Variable
Temperature Range: 28°F - 40°F (-2°C - 4°C)
Clutch Cycle Range: 12°F (-11°C)

Part No: 2390001



Capillary Length: 9 1/2" (241.3mm)
Switch Type: Variable
Temperature Range: 50°F - 55°F (10°C - 13°C)

Part No: 2399004



Capillary Length: 36"
Switch Type: Variable
Temperature Range: 33°F - 45°F (1°C - 7°C)
Clutch Cycle Range: 12°F (-11°C)



Part No: 2399018



Capillary Length: 48"
 Switch Type: Variable
 Temperature Range: 30°F - 36°F (-1°C - 2°C)
 Clutch Cycle Range: 6°F (-14°C)

Part No: 2399019



Capillary Length: 48"
 Switch Type: Variable
 Temperature Range: 34°F - 52°F (1°C - 11°C)
 Clutch Cycle Range: 5° F (-15°C)

Part No: 2399020



Capillary Length: 36"
 Switch Type: Variable
 Temperature Range: 33°F - 45°F (1°C - 7°C)
 Clutch Cycle Range: 12°F (-11°C)

Part No: 2399022



Capillary Length: 30"
 Switch Type: Variable
 Temperature Range: 28°F - 36°F (-2°C - 2°C)
 Clutch Cycle Range: 5° F (-15°C)

Miscellaneous Switches

Part No: 2010007



General Specifications: 85-86 GM /Harrison Celebrity

Part No: 2018006



General Specifications: Blower Regulator Control

Part No: 2099027



General Specifications: Blower Resistor

Part No: 2113014



General Specifications: Blower Regulator

Part No: 2199101



General Specifications: Water Valve Switch

Miscellaneous Switches

SWITCHES

Part No: 2213013



Fitting Size: M10 x 1.25-6H Female
 General Specifications: Output Load: 56k OHM Pull Down and Power Supply: 4.5/5.5 VDC
 Temperature Range: 32°F - 275°F (0°C - 135°C)

Part No: 2213014



Part No: 2218022



General Specifications: Sensor Temperature 200°
 Amps: 4 amp
 No./Type of Terminal: 2 Terminal
 Function: Normally Open

Part No: 2299006



Fitting Size: 3/8"-24 UNF-2A Male O-Ring
 Position: Normally Open
 Deactuation: 27 psi (R-134a)
 Lead Length: N/A

Part No: 2399017



Lead Length: 11"
 Switch Type: Thermistor Aspirator

Part No: 4099189



General Specifications: Mode Switch Assembly
 Temperature Range: 29°F - 149°F (-2°C - 65°C)

Part No: 4099200



General Specifications: Compressor Overload Switch
 Temperature Range: Opens @ 194°F (90°C), Closes @ 135°F (57°C)

Fan Switches

Part No: 2191001



Pole/Throw Type: DPDT
 Function: ON-OFF

Part No: 2191002



Pole/Throw Type: DPDT
 Function: ON-OFF

Part No: 2191003



Pole/Throw Type: DPDT
 Function: ON-OFF



Part No: 2191004



Pole/Throw Type: DPDT
Function: ON-OFF

Part No: 2191005



Pole/Throw Type: DPDT
Function: ON-OFF

Part No: 2191006



Pole/Throw Type: SPTT
Function: Low-Med-High

Part No: 2191007



Pole/Throw Type: SPTT
Function: Low-Med-High

Part No: 2191008



Pole/Throw Type: SPTT
Function: Low-Med-High

Part No: 2191009



Pole/Throw Type: SPTT
Function: Low-Med-High

Part No: 2191010



Pole/Throw Type: SPTT
Function: Low-Med-High

Switch Kits

Part No: 3475028



General Specifications: 12V Switch Kit

Part No: 3475029



General Specifications: 24V Switch Kit

Part No: 3475035



General Specifications: KH-200 Heater Control Switch Kit

Circuit Breakers

SWITCHES

Part No: 3475040



General Specifications: KH-300 Heater Switch Kit

Part No: 3475059



General Specifications: KH-500 Heater Round Switch Kit

Part No: 3475064



General Specifications: 12 volt installation wire kit

Part No: 3475077



General Specifications: KH-150 Heater Control Switch Kit

Circuit Breakers

Part No: 2175012



Voltage: Use with 6 or 12V
Amps: 20 amp

Part No: 2190003



Amps: 40 amp

Part No: 2199031



Amps: 30 amp

Part No: 2199032



Amps: 40 amp

Part No: 2199033



Voltage: Rated maximum voltage 30V D.C.
General Specifications: Push to Reset
Amps: 10 amp

Part No: 2199034



Voltage: Rated maximum voltage 30V D.C.
General Specifications: Push to Reset
Amps: 15 amp

Part No: 2199035



Voltage: Rated maximum voltage 30V D.C.
 General Specifications: Push to Reset
 Amps: 20 amp

Part No: 2199036



Voltage: Rated maximum voltage 30V D.C.
 General Specifications: Push to Reset
 Amps: 30 amp

Part No: 2199037



Amps: 15 amp

Part No: 2199038



Amps: 20 amp

Part No: 2199039



Amps: 30 amp

Part No: 2199041



Amps: 25 amp

Part No: 2199042



Amps: 30 amp

Part No: 2199044



Amps: 40 amp

Part No: 2199048



Amps: 20 amp

Part No: 2199071



Voltage: 12V
 General Specifications: Automatic Reset
 Amps: 10 amp

Part No: 2199085



Amps: 20 amp

Part No: 2199102



Amps: 20 amp

Linear Power Modules

Lamps

SWITCHES

Part No: 2175007



Voltage: 12V
 Amps: .63 amps
 General Specifications: Candlepower approx. 6.0 C.P.

Part No: 2175008



Voltage: 24V
 Amps: .17 amps
 General Specifications: Candlepower approx. 3.5 C.P.

Linear Power Modules

Part No: 2013007



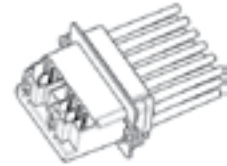
Speed: N/A
 Voltage: 12
 Amps: 28 amp Max.
 No./Type of Terminal: N/A

Part No: 2099026



Connector: Yazaki

Part No: 2099028



Voltage: 12V
 Amps: 35 amp
 Temperature Range: -40°F - 185°F (-40°C - 85°C)

Part No: 2113011



Speed: N/A
 Voltage: 12
 No./Type of Terminal: N/A

Part No: 2199106



#N/A
 Length: 3" (76.2mm)
 Switch: 2"


Part No: 4475054



General Specifications: LPM Service Kit

Relays

Part No: 2010009




Voltage: 12
General Specifications: No Bracket
Amps: 30 amp / 40 amp
Pole/Throw Type: SPDT
No./Type of Terminal: 5

Part No: 2010010




Voltage: 12
General Specifications: GM 14089936
Pole/Throw Type: SPDT
No./Type of Terminal: 5

Part No: 2011001




Voltage: 12
General Specifications: No Bracket
Amps: 30 amp / 40 amp
Pole/Throw Type: N/A
No./Type of Terminal: 5

Part No: 2012001



Voltage: 12
General Specifications: N/A
Amps: 10 amp / 20 amp
Pole/Throw Type: SPDT
NO/NC: 35A NO / 20ANC
No./Type of Terminal: 5

Part No: 2012003




Voltage: 12
General Specifications: N/A
Amps: 30 amp
Pole/Throw Type: SPDT
No./Type of Terminal: 5

Part No: 2075003




Voltage: 12
General Specifications: Bracket/Resistor
Amps: 30 amp NO / 20 amp NC
Pole/Throw Type: SPDT
NO/NC: 30A NO / 20ANC
No./Type of Terminal: 5

Part No: 2075004



Voltage: 12
General Specifications: Bracket/Dual Contacts
Amps: 40 amp
Pole/Throw Type: SPST
NO/NC: NO
No./Type of Terminal: 5

Part No: 2090001



Voltage: 12
General Specifications: Bracket
Amps: 40 amp
Pole/Throw Type: SPDT
No./Type of Terminal: 5

Part No: 2099002



Voltage: 12
General Specifications: No Bracket
Amps: 40 amp
Pole/Throw Type: SPDT
No./Type of Terminal: 5

SWITCHES



Relays

Part No: 2099003



Voltage: 12
General Specifications: Bracket/Dual Contacts & Diode
Amps: 30 amp
Pole/Throw Type: SPST
NO/NC: NO
No./Type of Terminal: 5

Part No: 2099009



Voltage: 24
General Specifications: Bracket/Resistor
Amps: 10 amp / 20 amp
Pole/Throw Type: SPDT
No./Type of Terminal: 5

Part No: 2099010



Voltage: 12
General Specifications: N/A
Amps: 20 amp
Pole/Throw Type: N/A
No./Type of Terminal: 5

Part No: 2099012



Voltage: 12
General Specifications: Bracket/Resistor
Amps: 70 amp
Pole/Throw Type: SPST
NO/NC: NO
No./Type of Terminal: 4

Part No: 2099013



Voltage: 12
General Specifications: Bracket
Amps: 30 amp NO / 20 amp NC
Pole/Throw Type: SPDT
No./Type of Terminal: 5

Part No: 2099023



Voltage: 24
Amps: 20 amp
Pole/Throw Type: SPST
No./Type of Terminal: 4

Part No: 2099029



General Specifications: Wire Harness used with four prong standard spade connector relay
--

Part No: 4099150



Voltage: 12
General Specifications: Micro
Amps: 35 amp NO / 20 amp NC
Pole/Throw Type: SPDT
No./Type of Terminal: 5

Part No: 4499087



Voltage: 12V
General Specifications: Relay with Resistor
Amps: 100 amp
No./Type of Terminal: 4



Part No: 1749010000



Voltage: 12
 Amps: 30 amp
 No./Type of Terminal: 4

Part No: 1749310000



Voltage: 24
 Amps: 20 amp
 No./Type of Terminal: 4

Resistors

Part No: 2012005



Speed: N/A
 Voltage: N/A
 No./Type of Terminal: 3

Part No: 2012006



Speed: 4
 Voltage: 12
 No./Type of Terminal: 4

Part No: 2012007



Speed: 3

Part No: 2013003



Speed: 4
 Voltage: 12
 No./Type of Terminal: 4

Part No: 2013004



Speed: 3
 Voltage: 12
 No./Type of Terminal: 3

Part No: 2013005



Voltage: 12
 No./Type of Terminal: 5

Resistors

SWITCHES

Part No: 2015003



Speed: N/A
Voltage: 12
No./Type of Terminal: 4

Part No: 2017001



Speed: 4
Voltage: 12V
No./Type of Terminal: 5

Part No: 2017002



Speed: N/A
Voltage: 12
No./Type of Terminal: 4

Part No: 2017003



Speed: N/A
Voltage: 12
No./Type of Terminal: 4

Part No: 2017004



Voltage: 12V
No./Type of Terminal: 4

Part No: 2018001



Speed: N/A
Voltage: 12V
No./Type of Terminal: 3

Part No: 2075001



Speed: 3
Voltage: 24
No./Type of Terminal: 3

Part No: 2075002



General Specifications: Wire Wound
Voltage: 2 OHM, 100 Watt

Part No: 2075005



Speed: 3
Voltage: 12
No./Type of Terminal: 3

Part No: 2075006



Speed: 3
Voltage: 12
No./Type of Terminal: 3

Part No: 2075007



Speed: 3
Voltage: 24
No./Type of Terminal: 3


Part No: 2075008



Speed: 3
Voltage: 24
No./Type of Terminal: 3



Part No: 2099004



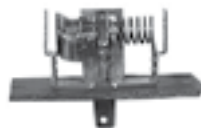
Speed: 3
Voltage: 12
No./Type of Terminal: 3

Part No: 2099005




Speed: 3
Voltage: 12
No./Type of Terminal: 3

Part No: 2099006



Speed: 3
Voltage: 12
No./Type of Terminal: 3

Part No: 2099015



Speed: 3
Voltage: 24
No./Type of Terminal: 3

Part No: 2099016



Speed: 3
Voltage: 12
No./Type of Terminal: 3

Part No: 2099019



Speed: N/A
Voltage: 12V
No./Type of Terminal: 3

Part No: 2099020



Speed: N/A
Voltage: 12V
No./Type of Terminal: 3

Part No: 2099022



Speed: 3
Voltage: 12
No./Type of Terminal: 3


Sensors

Part No: 2099025



General Specifications: Electro-Thermal Linear Actuator
Connector: 6.35mm Terminal
Lead Length: 12" (304mm)

Part No: 2312002



Voltage: 12V
General Specifications: Temp Probe Switch, Freightliner OEM BOA91619
No./Type of Terminal: 2

Part No: 2312003



Voltage: 12V
General Specifications: Evap Temp Probe, Freightliner OEM VCCT83000036
No./Type of Terminal: 2 Pin

Sensors

SWITCHES

Part No: 2313004



General Specifications: Temperatures Sensor

Part No: 2313005



General Specifications: Temperatures Sensor

Part No: 2313007



General Specifications: Evaporator Temperatures Sensor

Part No: 4475028



General Specifications: Temperatures Sensor Service Kit

Part No: 091096C005



General Specifications: Temperatures Sensor

Part No: 091096C006



General Specifications: Anti-Freeze Sensor

Part No: 091132C019



General Specifications: Anti-Freeze Sensor

Part No: 091132C020



General Specifications: Recirculation Air Temperature Sensor

Part No: 091135C003



General Specifications: Anti-Freeze Sensor

Part No: 091136C006



General Specifications: Anti-Freeze Sensor

Part No: 091136C012



General Specifications: Recirculation Air Temperature Sensor



KYSOR
by Bergstrom

Air Conditioning & Heating
Replacement Parts



Fittings

Aeroquip E-Z Clip Fittings & Hoses

Accessories	460
Hoses	461
Lifesaver Braze Nipple Fitting	462
Bulkhead Fitting	462
Female JIC Fittings	462
Female O-Ring Fittings	463
Female ORS Fittings	468
Female Rotolock Fittings	469
Female SAE Fittings	470
Female 37 Degree Flare Fittings	471
GM Fittings	471
Male O-Ring Fittings	472
Male Splicer Fittings	474
Male Pilot Connection Fittings	474
Universal Swivel Fittings	475

AIR-O-CRIMP Fittings

Accessories	476
Hoses	476
Female O-Ring Fittings	477
Male O-Ring Fittings	479
Splicer Fittings	481
Weld-On Fittings	481
AIR-O-CRIMP Assembly	482
Accessories	483

ATCO Beadlock Fittings

Goodyear (Galaxy) Hoses	484
Compression Fittings - Standard Barrier	485
Female Flare Fittings - Standard Barrier	486
Female O-Ring Fittings - Standard Barrier	487
Female Rotolock Fittings - Standard Barrier	492
Female Tube-O Fittings - Standard Barrier	492
GM Compressor Pad Block Fittings - Standard Barrier	493
Male Insert O-Ring Fittings - Standard Barrier	494
Male O-Ring Fittings - Standard Barrier	495
Splicer Fittings - Standard Barrier	498
Weld-On Fittings - Standard Barrier	499
Compression Fittings - Reduced Barrier	500
Female Flare Fittings - Reduced Barrier	500
Female O-Ring Fittings - Reduced Barrier	501
Female Tube-O Fittings - Reduced Barrier	504
Male Insert O-Ring Fittings - Reduced Barrier	504
Male O-Ring Fittings - Reduced Barrier	505

Splicer Fittings - Reduced Barrier	506
Weld-On Fittings - Reduced Barrier	506

Hose Crimping Procedures

Male O-Ring	509
Female O-Ring	509
Male Insert O-Ring	509
O-Rings	509

Beadlock Fitting Identification

Female Flare	510
Male Flare	510
Hose End Sizes	510
Refrigerant Hose Sizes	511
Beadlock	511
Torque Recommendations	511

Burgaflex Fittings

Goodyear (Galaxy) Hoses	512
Burgaflex Fittings - Standard Barrier	512
Burgaflex Fittings - Reduced Barrier	513
Burgaflex Crimp Fittings - Reduced Barrier	514
Burgaflex Accessories	515

O-Rings

O-Ring Specifications*	517
O-Ring Assortment Kits	518
O-Ring Rubber Material Data	520
Bulkhead Adapters	521
Drain Hose & Accessories	521

Bulkhead Adapters, Tubing & Drain Hoses

Insulation Tubing	522
Tube & Fitting Assembly	522
Flexible Ducting	523
Hose Clamps	523

Ducting, Clamps & Hoses

Hoses	524
Hose Guards	524
Hose Repair Kit	524
Hose and Installation Kits	525

Accessories

Wire Clips & Ties	526
	526



Availability of the products shown in this catalog is subject to change without notice by Bergstrom, Inc. For the most current product information please visit the Kysor distributor website at <https://parts.kysorhvac.com/>.

Aeroquip E-Z Clip Fittings & Hoses

Accessories

FITTINGS

Cage to Hose Attachment (quantity of 10)



Hose Size: No. 6	2630005
Hose Size: No. 8	2630006
Hose Size: No. 10	2630007
Hose Size: No. 12	2630008
Hose Size: No. 16	2633900

Hose Clip (quantity of 10)



Hose Size: No. 6	2630009
Hose Size: No. 8	2630010
Hose Size: No. 10	2630011
Hose Size: No. 12	2630012
Hose Size: No. 16	2633899

Part No: 2630013



General Specification: Connection Tool Pliers

Part No: 2630014



General Specification: Hose Cutters

Part No: 2630015



General Specification: Replacement Blades

Part No: 2630016



General Specifications: E-Z Clip System Tool Case, Kit
 Contents: Clips (2630009, 2630010, 2630011, 2630012);
 Cages (2630005, 2630006, 2630007, 2630008); Assembly
 Tool (2630013); Hose Cutter (2630014); Replacement Blade
 (2630015)

Part No: 2633931



General Specification: #16 Pliers

Part No: 2633932



General Specification: #6 Bulkhead Fitting Nut

O-Ring Fittings (quantity of 5)



Hose Size: No. 4	2799224
Hose Size: No. 6	2799225
Hose Size: No. 8	2799226
Hose Size: No. 10	2799227
Hose Size: No. 12	2799228
Hose Size: No. 16	2799229

Hoses

Multi-Refrigerant Hose (must order in 50-foot increments)



Hose Size: No. 6	Hose Inner Diameter: 5/16" (7.9mm)	Hose Outer Diameter: 37/64" (14.7mm)	2630001
Hose Size: No. 8	Hose Inner Diameter: 13/32" (10.3mm)	Hose Outer Diameter: 45/64" (17.8mm)	2630002
Hose Size: No. 10	Hose Inner Diameter: 1/2" (12.7mm)	Hose Outer Diameter: 25/32" (19.8mm)	2630003
Hose Size: No. 12	Hose Inner Diameter: 5/8" (15.9mm)	Hose Outer Diameter: 63/64" (24.9mm)	2630004
Hose Size: No. 16	Hose Inner Diameter: 7/8" (22.4mm)	Hose Outer Diameter: 1 15/64" (31.2mm)	2600032

Multi-Refrigerant Hose (must order in bulk)



Hose Size: No. 6	Hose Inner Diameter: 5/16" (7.9mm)	Hose Outer Diameter: 37/64" (14.7mm)	2600009 (560-feet)
Hose Size: No. 8	Hose Inner Diameter: 13/32" (10.3mm)	Hose Outer Diameter: 25/32" (17.8mm)	2600010 (575-feet)
Hose Size: No. 10	Hose Inner Diameter: 1/2" (12.7)	Hose Outer Diameter: 25/32" (19.8mm)	2600011 (550-feet)
Hose Size: No. 12	Hose Inner Diameter: 5/8" (15.9mm)	Hose Outer Diameter: 63/64" (24.9mm)	2600012 (367-feet)
Hose Size: No. 16	Hose Inner Diameter: 7/8" (22.4mm)	Hose Outer Diameter: 1 15/64" (31.2mm)	2600034 (250-feet)

All hoses have the following bend radius:

Hose Size: No. 6	Minimum Bend Radius: 2" (50mm)
Hose Size: No. 8	Minimum Bend Radius: 2 1/2" (63mm)
Hose Size: No. 10	Minimum Bend Radius: 3" (76.2mm)
Hose Size: No. 12	Minimum Bend Radius: 4" (101.6mm)
Hose Size: No. 16	Minimum Bend Radius: 7" (177.8mm)



Aeroquip E-Z Clip Fittings & Hoses

Lifesaver Braze Nipple Fitting

Lifesaver Braze Nipple Fitting



Hose Size: No. 6-No. 6	Length: 2" (51.1mm)	2630017
Hose Size: No. 8-No. 8	Length: 2 1/64" (51.3mm)	2630019
Hose Size: No. 10-No. 10	Length: 2 1/32" (51.6mm)	2630020
Hose Size: No. 12-No. 12	Length: 2 7/64" (53.6mm)	2630021
Hose Size: No. 16-No. 16	Length: 2 13/64" (56.1mm)	2633909

Lifesaver Braze Nipple Fitting (Step Up)



Hose Size: No. 6-No. 8	Length: 2 1/64" (51.3mm)	2630022
Hose Size: No. 8-No. 10	Length: 2 1/32" (51.6mm)	2630023
Hose Size: No. 10-No. 12	Length: 2 1/16" (54.9mm)	2630024

Female JIC Fittings

Female 90 Degree JIC Fitting



Fitting Size: No. 6-No. 6	Fitting Thread Size: 9/16"-18	2632091
Fitting Size: No. 6-No. 8	Fitting Thread Size: 9/16"-18	2632096
Fitting Size: No. 12-No. 12	Fitting Thread Size: 1 1/16"-12	2632094

FITTINGS

Bulkhead Fitting

Straight Bulkhead Fitting



Fitting Size: No. 6-No. 6	Fitting Thread Size: 5/8"-18	Length: 3 11/16" (93.7mm)	2633801
Fitting Size: No. 8-No. 8	Fitting Thread Size: 3/4"-16	Length: 3 15/16" (99.8mm)	2633802
Fitting Size: No. 10-No. 10	Fitting Thread Size: 7/8"-14	Length: 4 31/64" (114mm)	2633803
Fitting Size: No. 12-No. 12	Fitting Thread Size: 1 1/16"-14	Length: 4 53/64" (122.7mm)	2633916
Fitting Size: No. 16-No. 16	Fitting Thread Size: 1 1/16"-14	Length: 4 59/64" (125mm)	2633917

Male 90 Degree Bulkhead Fitting



Fitting Size: No. 6-No. 6	Fitting Thread Size: 5/8"-18	2633891
Fitting Size: No. 8-No. 8	Fitting Thread Size: 3/4"-16	2633892
Fitting Size: No. 10-No. 10	Fitting Thread Size: 7/8"-14	2633893
Fitting Size: No. 12-No. 12	Fitting Thread Size: 1 1/16"-14	2633894


Male 90 Degree Bulkhead Fitting (Step Up)





Fitting Size: No. 10-No. 12	Fitting Thread Size: 7/8"-14	2633898
-----------------------------	------------------------------	----------------


All Aeroquip E-Z Clip refrigerant fitting kits contain the fitting and all necessary cage, clips and o-rings.


Female O-Ring Fittings


Straight Female O-Ring Short Pilot			
			
Fitting Size: No. 6-No. 6	Fitting Thread Size: 5/8"-18	Length: 3 9/64" (79.89mm)	2632201
Fitting Size: No. 8-No. 8	Fitting Thread Size: 3/4"-16	Length: 3 9/16" (90.4mm)	2632202
Fitting Size: No. 10-No. 10	Fitting Thread Size: 7/8"-14	Length: 3 5/8" (92.2mm)	2632203
Fitting Size: No. 12-No. 12	Fitting Thread Size: 1 1/16"-14	Length: 4 1/4" (108mm)	2632204
Fitting Size: No. 16-No. 16	Fitting Thread Size: 1 1/16+"-14	Length: 4 23/64" (110.5mm)	2633928

Straight Female O-Ring Short Pilot (Step Down)			
			
Fitting Size: No. 10-No. 8	Fitting Thread Size: 7/8"-14	Length: 3 5/8" (92mm)	2632218
Fitting Size: No. 12-No. 10	Fitting Thread Size: 1 1/16"-14	Length: 4 1/4" (108mm)	2632219

Straight Female O-Ring Short Pilot (Step Up)			
			
Fitting Size: No. 6-No. 8	Fitting Thread Size: 5/8"-18	Length: 3 9/64" (79.89mm)	2632206
Fitting Size: No. 8-No. 10	Fitting Thread Size: 3/4"-16	Length: 3 9/16" (90.4mm)	2632207
Fitting Size: No. 10-No. 12	Fitting Thread Size: 7/8"-14	Length: 3 21/32" (93mm)	2632208

Straight Female O-Ring (Long Pilot) Fitting			
			
Fitting Size: No. 6-No. 6	Fitting Thread Size: 5/8"-18	Length: 3 3/64" (77.2mm)	2633918
Fitting Size: No. 8-No. 6	Fitting Thread Size: 5/8"-18	Length: 2 29/32" (73.9mm)	2633919
Fitting Size: No. 8-No. 8	Fitting Thread Size: 3/4"-16	Length: 3 13/64" (81.4mm)	2633920
Fitting Size: No. 10-No. 10	Fitting Thread Size: 7/8"-14	Length: 3 5/8" (92.3mm)	2633921

Straight Female O-Ring (Long Pilot) Metric Thread Fitting			
			
Fitting Size: No. 8-No. 8	Fitting Thread Size: M20 x 1.5	Length: 3 13/64" (81.3mm)	2632205
Fitting Size: No. 8-No. 10	Fitting Thread Size: M20 x 1.5	Length: 3 7/32" (81.5mm)	2632217
Fitting Size: No. 12-No. 12	Fitting Thread Size: M27 x 2	Length: 4 1/4" (108mm)	2632216

Straight Female O-Ring (Short Pilot) with R-134a High Side Port, Female Switch Connection (1/8"-27 Thread) Fitting			
			
Fitting Size: No. 8-No. 8	Fitting Thread Size: 3/4"-16	Length: 5 5/32" (131.1mm)	2632505

FITTINGS



All Aeroquip E-Z Clip refrigerant fitting kits contain the fitting and all necessary cage, clips and o-rings.

Aeroquip E-Z Clip Fittings & Hoses

Female O-Ring Pilot Fittings (cont'd)

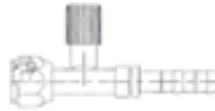
FITTINGS

Straight Female O-Ring (Short Pilot) with R-134a High Side Port, Female Switch Connection (1/8"-27 Thread) Fitting (Step Up)



Fitting Size: No. 8-No. 10	Fitting Thread Size: 3/4"-16	Length: 5 35/64" (140.7mm)	2632514
Fitting Size: No. 10-No. 12	Fitting Thread Size: 7/8"-14	Length: 5 5/16" (134.6mm)	2632515

Straight Female O-Ring (Short Pilot) with High Side Charge Port Fitting



Fitting Size: No. 8-No. 8	Fitting Thread Size: 3/4"-16	Length: 4 3/32" (103.9mm)	2632502
---------------------------	------------------------------	---------------------------	----------------

Straight Female O-Ring (Short Pilot) with High Side Charge Port Fitting (Step Up)



Fitting Size: No. 8-No. 10	Fitting Thread Size: 3/4"-16	Length: 4 3/32" (103.9mm)	2632507
----------------------------	------------------------------	---------------------------	----------------

Straight Female O-Ring (Short Pilot) with High Side Charge Port Fitting (Step Down)



Fitting Size: No. 8-No. 6	Fitting Thread Size: 3/4"-16	Length: 4 1/16" (103.1mm)	2632509
---------------------------	------------------------------	---------------------------	----------------

Straight Female O-Ring (Short Pilot) with R-134a Low Side Charge Port Fitting



Fitting Size: No. 10-No. 10	Fitting Thread Size: 7/8"-14	2632503
Fitting Size: No. 12-No. 12	Fitting Thread Size: 1 1/16"-14	2632504

Straight Female O-Ring (Short Pilot) with R-134a Low Side Charge Port Fitting (Step Up)



Fitting Size: No. 10-No. 12	Fitting Thread Size: 7/8"-14	2632506
-----------------------------	------------------------------	----------------

Straight Female O-Ring (Long Pilot) with Switch Port Fitting



Fitting Size: No. 8-No. 8	Fitting Thread Size: 3/4"-16	Length: 4 3/32" (103.9mm)	2632402
Fitting Size: No. 10-No. 10	Fitting Thread Size: 7/8"-14	Length: 4 15/64" (107.7mm)	2632403
Fitting Size: No. 12-No. 12	Fitting Thread Size: 1 1/16"-14	Length: 4 55/64" (123.4mm)	2632512

Straight Female O-Ring (Long Pilot) with Switch Port Fitting (Step Up)



Fitting Size: No. 10-No. 12	Fitting Thread Size: 7/8"-14	Length: 4 17/64" (108.5mm)	2632406
-----------------------------	------------------------------	----------------------------	----------------

Straight Female O-Ring (Long Pilot) with Switch Port Metric Thread Fitting



Fitting Size: No. 10-No. 10	Fitting Thread Size: M10 x 1.25	Length: 4 1/4" (108mm)	2632510
Fitting Size: No. 10-No. 10	Fitting Thread Size: M12 x 1.25	Length: 4 1/4" (108mm)	2632511
Fitting Size: No. 12-No. 12	Fitting Thread Size: M12 x 1.25	Length: 4 55/64" (123.4mm)	2632513

All Aeroquip E-Z Clip refrigerant fitting kits contain the fitting and all necessary cage, clips and o-rings.

Female O-Ring Pilot Fittings (cont'd)

Straight Female O-Ring (Long Pilot) with Switch Port Metric Thread Fitting (Step Up)



Fitting Size: No. 10-No. 12	Fitting Thread Size: 7/8"-14	Length: 4 17/64" (108.5mm)	2632508
-----------------------------	------------------------------	----------------------------	----------------

Female 45 Degree Elbow O-Ring (Short Pilot) Fitting



Fitting Size: No. 6-No. 6	Fitting Thread Size: 5/8"-18	2632251
Fitting Size: No. 8-No. 8	Fitting Thread Size: 3/4"-16	2632252
Fitting Size: No. 10-No. 10	Fitting Thread Size: 7/8"-14	2632253
Fitting Size: No. 12-No. 12	Fitting Thread Size: 1 1/16"-14	2632254

Female 45 Degree Elbow O-Ring (Short Pilot) Fitting (Step Up)



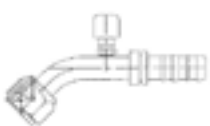
Fitting Size: No. 6-No. 8	Fitting Thread Size: 5/8"-18	2632256
Fitting Size: No. 8-No. 10	Fitting Thread Size: 3/4"-16	2632257
Fitting Size: No. 10-No. 12	Fitting Thread Size: 7/8"-14	2632258

Female 45 Degree O-Ring (Long Pilot) Metric Thread Fitting



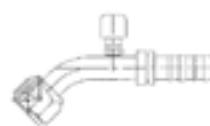
Fitting Size: No. 12-No. 12	Fitting Thread Size: M27 x 2	2632255
Fitting Size: No. 12-No. 12	Fitting Thread Size: M27 x 2	2632259

Female 45 Degree O-Ring (Long Pilot) with Switch Port (7/16"-20 Thread) Fitting



Fitting Size: No. 8-No. 8	Fitting Thread Size: 3/4"-16	2632552
Fitting Size: No. 10-No. 10	Fitting Thread Size: 7/8"-14	2632553

Female 45 Degree O-Ring (Long Pilot) with Switch Port (7/16"-20 Thread) Fitting (Step Up)



Fitting Size: No. 8-No. 10	Fitting Thread Size: 3/4"-16	2632557
Fitting Size: No. 10-No. 12	Fitting Thread Size: 7/8"-14	2632558

Female 90 Degree Elbow O-Ring (Short Pilot) Fitting



Fitting Size: No. 6-No. 6	Fitting Thread Size: 5/8"-18	2632291
Fitting Size: No. 8-No. 8	Fitting Thread Size: 3/4"-16	2632292
Fitting Size: No. 10-No. 10	Fitting Thread Size: 7/8"-14	2632293
Fitting Size: No. 12-No. 12	Fitting Thread Size: 1 1/16"-14	2632294

Female 90 Degree Elbow O-Ring (Short Pilot) Fitting (Step Up)



Fitting Size: No. 6-No. 8	Fitting Thread Size: 5/8"-18	2632296
Fitting Size: No. 8-No. 10	Fitting Thread Size: 3/4"-16	2632297
Fitting Size: No. 10-No. 12	Fitting Thread Size: 7/8"-14	2632298

Female 90 Degree Elbow O-Ring (Short Pilot) Fitting (Step Down)



Fitting Size: No. 8-No. 6	Fitting Thread Size: 3/4"-16	2632304
Fitting Size: No. 12-No. 10	Fitting Thread Size: 1 1/16"-14	2632305

FITTINGS



All Aeroquip E-Z Clip refrigerant fitting kits contain the fitting and all necessary cage, clips and o-rings.

Aeroquip E-Z Clip Fittings & Hoses

Female O-Ring Pilot Fittings (cont'd)

FITTINGS

Female 90 Degree O-Ring (Short Pilot) with R-134a High Side Charge Port Fitting



Fitting Size: No. 6-No. 6	Fitting Thread Size: 5/8"-18	R134a Port: High Side Charge	2632591
Fitting Size: No. 8-No. 8	Fitting Thread Size: 3/4"-16	R134a Port: High Side Charge	2632592

Female 90 Degree O-Ring (Short Pilot) with R-134a High Side Charge Port Fitting (Step Up)



Fitting Size: No. 8-No. 10	Fitting Thread Size: 3/4"-16	R134a Port: 13mm	2632596
----------------------------	------------------------------	------------------	----------------

Female 90 Degree Elbow O-Ring (Short Pilot) with R-134a Low Side Charge Port Fitting



Fitting Size: No. 10-No. 10	Fitting Thread Size: 7/8"-14	2632593
Fitting Size: No. 12-No. 12	Fitting Thread Size: 1 1/16"-14	2632594

Female 90 Degree Elbow O-Ring (Short Pilot) with R-134a Low Side Charge Port Fitting (Step Up)



Fitting Size: No. 12-No. 12	Fitting Thread Size: 1 1/16"-14	2632594
-----------------------------	---------------------------------	----------------

Female 90 Degree Elbow O-Ring (Long Pilot) Fitting



Fitting Size: No. 6-No. 6	Fitting Thread Size: 5/8"-18	2632295
Fitting Size: No. 8-No. 8	Fitting Thread Size: 3/4"-16	2632300
Fitting Size: No. 16-No. 16	Fitting Thread Size: 1 1/16"-14	2633914

Female 90 Degree Elbow O-Ring (Long Pilot) Fitting (Step Up)



Fitting Size: No. 8-No. 10	Fitting Thread Size: 7/8"-16	2632302
Fitting Size: No. 12-No. 16	Fitting Thread Size: 7/8"-14	2633915

Female 90 Degree Elbow O-Ring (Long Pilot) Fitting (Step Down)



Fitting Size: No. 8-No. 6	Fitting Thread Size: 3/4"-16	2632306
---------------------------	------------------------------	----------------

Female 90 Degree O-Ring (Long Pilot) Metric Thread Fitting



Fitting Size: No. 8-No. 8	Fitting Thread Size: M20 x 1.5	2632299
Fitting Size: No. 12-No. 12	Fitting Thread Size: M27 x 2	2632301

Female 90 Degree O-Ring (Long Pilot) Metric Thread Fitting (Step Up)



Fitting Size: No. 8-No. 10	Fitting Thread Size: M20 x 1.5	2632303
----------------------------	--------------------------------	----------------

All Aeroquip E-Z Clip refrigerant fitting kits contain the fitting and all necessary cage, clips and o-rings.

Female O-Ring Pilot Fittings (cont'd)

Female 90 Degree O-Ring (Long Pilot) Metric Thread Fitting (Step Down)



Fitting Size: No. 8-No. 6	Fitting Thread Size: M20 x 1.5	2632307
---------------------------	--------------------------------	----------------

Female 90 Degree O-Ring (Long Pilot) with Switch Port (7/16"-20 Thread) Fitting



Fitting Size: No. 6-No. 6	Fitting Thread Size: 5/8"-18	Port: 7/16"-20 Switch	2632559
Fitting Size: No. 8-No. 8	Fitting Thread Size: 3/4"-16	Port: 7/16"-20 Switch	2632560
Fitting Size: No. 10-No. 10	Fitting Thread Size: 7/8"-14	Port: 7/16"-20 Switch	2632561

Female 90 Degree O-Ring (Long Pilot) with Switch Port (7/16"-20 Thread) Fitting (Step Up)



Fitting Size: No. 8-No. 10	Fitting Thread Size: 3/4"-16	Port: 7/16"-20 Switch	2632565
Fitting Size: No. 10-No. 12	Fitting Thread Size: 7/8"-14	Port: 7/16"-20 Switch	2632566

Female 90 Degree O-Ring (Long Pilot) with Switch Port (7/16"-20 Thread)



Fitting Size: No. 10-No. 10	Fitting Thread Size: 7/8"-14	Port: 7/16"-20 Switch	2632562
-----------------------------	------------------------------	-----------------------	----------------

Female 90 Degree O-Ring (Long Pilot) with Switch Port Metric Thread



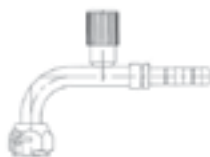
Fitting Size: No. 10-No. 10	Fitting Thread Size: 7/8"-14	Port: M12 x 1.25 Switch	2632563
Fitting Size: No. 12-No. 12	Fitting Thread Size: 1 1/16"-14	Port: M12 x 1.25 Switch	2632564

Female 90 Degree O-Ring (Long Pilot) with Switch Port Metric Thread (Step Up)



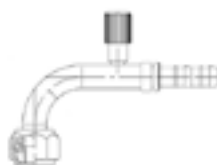
Fitting Size: No. 10-No. 12	Fitting Thread Size: 7/8"-14	Port: M12 x 1.25 Switch	2632567
-----------------------------	------------------------------	-------------------------	----------------

Female 90 Degree O-Ring (Long Pilot) with R-134a High Side Charge Port Metric Thread



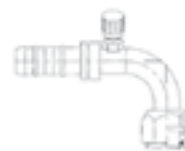
Fitting Size: No. 8-No. 8	Fitting Thread Size: M20 x 1.5	2632598
---------------------------	--------------------------------	----------------

Female 90 Degree O-Ring (Long Pilot) with R-134a Low Side Port Metric Thread Fitting



Fitting Size: No. 6-No. 6	Fitting Thread Size: M24 x 2	2633927
---------------------------	------------------------------	----------------

Female 90 Degree O-Ring (Long Pilot) with R-12 Charge Port 45 Degree Rotation Fitting



Fitting Size: No. 10-No. 12	Fitting Thread Size: 7/8"-14	2632209
-----------------------------	------------------------------	----------------

FITTINGS



All Aeroquip E-Z Clip refrigerant fitting kits contain the fitting and all necessary cage, clips and o-rings.

Aeroquip E-Z Clip Fittings & Hoses

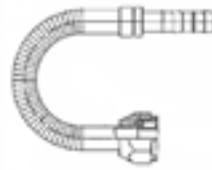
Female O-Ring Pilot Fittings (cont'd)

Female 90 Degree O-Ring (Short Pilot) with R12 Port (7/16"-20 Thread) Fitting



Fitting Size: No. 10-No. 10	Fitting Thread Size: 7/8"-14	2632493
Fitting Size: No. 12-No. 12	Fitting Thread Size: 1 1/16"+-14	2632494

Female 180 Degree O-Ring Pilot Fitting



Fitting Size: No. 8-No. 8	Fitting Thread Size: M20 x 1.5	2632215
---------------------------	--------------------------------	----------------

FITTINGS

Female ORS Fittings

Straight Female ORS Swivel Metric Hex Nut Fitting



Fitting Size: No. 6-No. 6	Fitting Thread Size: 1 1/16"-16	Length: 2 61/64" (74.9mm)	2632001
Fitting Size: No. 8-No. 8	Fitting Thread Size: 1 3/16"-16	Length: 3 11/64" (80.5mm)	2632002
Fitting Size: No. 10-No. 10	Fitting Thread Size: 1"-14	Length: 3 21/64" (84.6mm)	2632003
Fitting Size: No. 12-No. 12	Fitting Thread Size: 1 3/16"-12	Length: 3 3/8" (85.6mm)	2632004
Fitting Size: No. 16-No. 16	Fitting Thread Size: 1 1/16"-14	Length: 3 13/64" (81.3mm)	2633933
Fitting Size: No. 16-No. 16	Fitting Thread Size: 1 7/16"-12	Length: 3 1/2" (88.8mm)	2633929

Straight Female ORS Swivel Metric Hex Nut Fitting (Step Up)



Fitting Size: No. 10-No. 12	Fitting Thread Size: 1"-14	Length: 3 21/64" (84.3mm)	2632008
-----------------------------	----------------------------	---------------------------	----------------

Female ORS 45 Degree Swivel Fitting



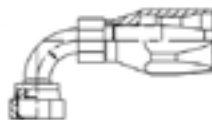
Fitting Size: No. 6-No. 6	Fitting Thread Size: 11/16"-16	2632051
Fitting Size: No. 8-No. 8	Fitting Thread Size: 3/4"-16	2633934
Fitting Size: No. 8-No. 8	Fitting Thread Size: 13/16"-16	2632052
Fitting Size: No. 10-No. 10	Fitting Thread Size: 1"-14	2632053
Fitting Size: No. 12-No. 12	Fitting Thread Size: 1 3/16"-12	2632054

Female ORS 45 Degree Swivel Fitting (Step Down)



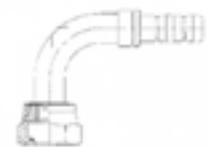
Fitting Size: No. 10-No. 8	Fitting Thread Size: 1"-14	2632059
----------------------------	----------------------------	----------------

Female 90 Degree ORS (Short Drop) Swivel No. 16 Fitting



Fitting Size: No. 16-No. 16	Fitting Thread Size: 1 7/16"-12	2633930
-----------------------------	---------------------------------	----------------

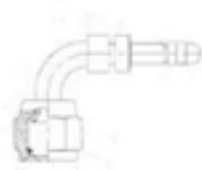
Female 90 Degree ORS (Long Drop) Swivel Fitting

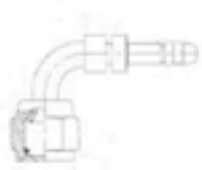


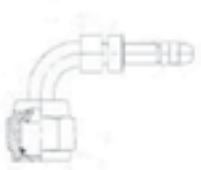
Fitting Size: No. 12-No. 12	Fitting Thread Size: 1 3/16"-12	2632097
-----------------------------	---------------------------------	----------------

All Aeroquip E-Z Clip refrigerant fitting kits contain the fitting and all necessary cage, clips and o-rings.


Female ORS Fittings (cont'd)


Female 90 Degree ORS Swivel No. 4 Fitting		
		
Fitting Size: No. 6-No. 6	Fitting Thread Size: 11/16"-16	2632211
Fitting Size: No. 8-No. 8	Fitting Thread Size: 13/16"-16	2632212
Fitting Size: No. 10-No. 10	Fitting Thread Size: 1"-14	2632213
Fitting Size: No. 12-No. 12	Fitting Thread Size: 1 3/16"-12	2632214

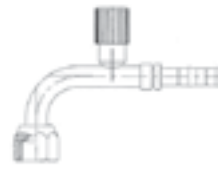
Female 90 Degree ORS Swivel No. 4 Fitting (Step Up)		
		
Fitting Size: No. 10-No. 12	Fitting Thread Size: 1"-14	2632098
Fitting Size: No. 10-No. 12	Fitting Thread Size: 7/8"-14	2633935

Female 90 Degree ORS Swivel No. 4 Fitting (Step Down)		
		
Fitting Size: No. 8-No. 6	Fitting Thread Size: 13/16"-16	2632105

Female Rotolock Fittings

Straight Female Rotolock Fitting			
			
Fitting Size: No. 10-No. 10	Fitting Thread Size: 1"-14	Length: 3 11/16" (93.7mm)	2632100

Female 90 Degree Rotolock with R-134a Low Side Port Fitting (Step Up)			
			
Fitting Size: No. 10-No. 12	Fitting Thread Size: 1"-14	R134a Port: Low Side	2632109

Female 90 Degree Rotolock with R-134a High Side Port Fitting			
			
Fitting Size: No. 10-No. 10	Fitting Thread Size: 1"-14	R134a Port: High Side	2632093

Female 90 Degree Rotolock Fitting		
		
Fitting Size: No. 10-No. 10	Fitting Thread Size: 1"-14	2632092

Female 90 Degree Rotolock with Switch Port Fitting			
			
Fitting Size: No. 10-No. 10	Fitting Thread Size: 1"-14	Port: 7/16"-20 Switch	2632095

FITTINGS



All Aeroquip E-Z Clip refrigerant fitting kits contain the fitting and all necessary cage, clips and o-rings.

Aeroquip E-Z Clip Fittings & Hoses

Female SAE Fittings

FITTINGS

Straight Female SAE Flare Fitting



Fitting Size: No. 4-No. 4	Fitting Thread Size: 7/16"	Length: 1 11/32" (34mm)	2632009
---------------------------	----------------------------	-------------------------	----------------

Female 45 Degree Flare SAE Fitting



Fitting Size: No. 6-No. 6	Fitting Thread Size: 5/8"-18	2632101
Fitting Size: No. 8-No. 8	Fitting Thread Size: 3/4"-16	2632102
Fitting Size: No. 10-No. 10	Fitting Thread Size: 7/8"-14	2632103
Fitting Size: No. 12-No. 12	Fitting Thread Size: 1 1/16"-14	2632104

Female 45 Degree Flare SAE Fitting (Step Up)



Fitting Size: No. 6-No. 8	Fitting Thread Size: 5/8"-18	2632106
Fitting Size: No. 8-No. 10	Fitting Thread Size: 3/4"-16	2632107
Fitting Size: No. 10-No. 12	Fitting Thread Size: 7/8"-14	2632108

Female 45 Degree Flare 45 Degree Elbow SAE Fitting



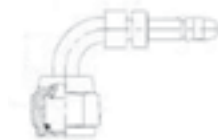
Fitting Size: No. 6-No. 6	Fitting Thread Size: 5/8"-18	2632151
Fitting Size: No. 8-No. 8	Fitting Thread Size: 3/4"-16	2632152
Fitting Size: No. 10-No. 10	Fitting Thread Size: 3/4"-16	2632153
Fitting Size: No. 12-No. 12	Fitting Thread Size: 1 1/16"-14	2632154

Female 45 Degree Flare 45 Degree Elbow SAE Fitting (Step Up)



Fitting Size: No. 6-No. 8	Fitting Thread Size: 5/8"-18	2632156
Fitting Size: No. 8-No. 10	Fitting Thread Size: 3/4"-16	2632157
Fitting Size: No. 10-No. 12	Fitting Thread Size: 7/8"-14	2632158

Female 45 Degree Flare 90 Degree Elbow SAE Fitting



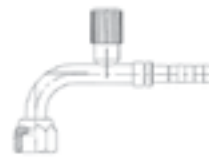
Fitting Size: No. 6-No. 6	Fitting Thread Size: 5/8"-18	2632191
Fitting Size: No. 8-No. 8	Fitting Thread Size: 3/4"-16	2632192
Fitting Size: No. 10-No. 10	Fitting Thread Size: 7/8"-14	2632193

Female 45 Degree Flare 90 Degree Elbow SAE Fitting (Step Up)



Fitting Size: No. 6-No. 8	Fitting Thread Size: 5/8"-18	2632196
Fitting Size: No. 10-No. 12	Fitting Thread Size: 7/8"-14	2632197

Female 45 Degree with R-134a High Side Charge Port 90 Degree Elbow SAE Fitting



Fitting Size: No. 6-No. 6	Fitting Thread Size: 5/8"-18	R134a Port: High Side Charge	2632110
Fitting Size: No. 8-No. 8	Fitting Thread Size: 3/4"-16	R134a Port: High Side Charge	2632111
Fitting Size: No. 10-No. 10	Fitting Thread Size: 7/8"-14	R134a Port: High Side Charge	2632112

All Aeroquip E-Z Clip refrigerant fitting kits contain the fitting and all necessary cage, clips and o-rings.

Female 37 Degree Flare Fittings

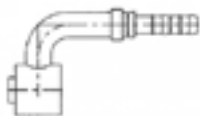
Straight Female 37 Degree Flare Swivel Fitting



Fitting Size: No. 6-No. 6	Fitting Thread Size: 5/8"-18	Length: 3 21/32" (92.9mm)	2633922
Fitting Size: No. 8-No. 8	Fitting Thread Size: 3/4"-16	Length: 4 23/64" (110.5mm)	2633923
Fitting Size: No. 10-No. 10	Fitting Thread Size: 7/8"-14	Length: 4 7/32" (106.9mm)	2633924
Fitting Size: No. 12-No. 12	Fitting Thread Size: 1 1/16"-14	Length: 4 5/8" (117.3mm)	2633925
Fitting Size: No. 16-No. 16	Fitting Thread Size: 1 1/16"-16	Length: 6" (152.1mm)	2633926

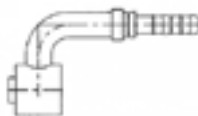
GM Fittings

90 Degree GM Block Style Fitting



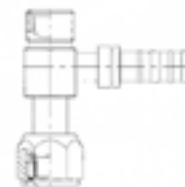
Fitting Size: No. 10-No. 10 **2633093**

90 Degree GM Block Style Fitting (Step Up)



Fitting Size: No. 10-No. 12 **2633098**

GM Tie In - Metric Tee Fitting



Fitting Size: No. 8-No. 8	Fitting Thread Size: M20 x 1.5	2630018
Fitting Size: No. 12-No. 12	Fitting Thread Size: M27 x 2	2632210



All Aeroquip E-Z Clip refrigerant fitting kits contain the fitting and all necessary cage, clips and o-rings.

Aeroquip E-Z Clip Fittings & Hoses

Male O-Ring Fittings

FITTINGS

Straight Male Insert O-Ring Fitting



Fitting Size: No. 6-No. 6	Fitting Thread Size: 5/8"-18	Length: 2 1/2" (63.5mm)	2631301
Fitting Size: No. 8-No. 8	Fitting Thread Size: 3/4"-16	Length: 2 11/16" (68.3mm)	2631302
Fitting Size: No. 10-No. 10	Fitting Thread Size: 7/8"-14	Length: 2 57/64" (73.7mm)	2631303
Fitting Size: No. 12-No. 12	Fitting Thread Size: 1 1/16"-16	Length: 3 3/32" (78.5mm)	2631304

Straight Male Insert O-Ring Fitting (Step Up)



Fitting Size: No. 10-No. 12	Fitting Thread Size: 7/8"-14	Length: 3 3/32" (78.5mm)	2631306
-----------------------------------	------------------------------------	--------------------------------	----------------

Straight Male O-Ring (Short Pilot) Fitting



Fitting Size: No. 6-No. 6	Fitting Thread Size: 5/8"-18	Length: 3 13/32" (86.6mm)	2631201
Fitting Size: No. 8-No. 8	Fitting Thread Size: 3/4"-18	Length: 4 3/8" (111mm)	2631202
Fitting Size: No. 10-No. 10	Fitting Thread Size: 7/8"-18	Length: 3 11/32" (93mm)	2631203
Fitting Size: No. 12-No. 12	Fitting Thread Size: 1 1/16"-16	Length: 3 11/16" (93.5mm)	2631204
Fitting Size: No. 12-No. 12	Fitting Thread Size: 1 1/16"-16	Length: 4 21/64" (110mm)	2633910
Fitting Size: No. 16-No. 16	Fitting Thread Size: 1 1/16"-16	Length: 4 9/32" (108.7mm)	2633911

Straight Male O-Ring (Short Pilot) Fitting (Step Up)



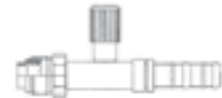
Fitting Size: No. 6-No. 8	Fitting Thread Size: 5/8"-18	Length: 3 7/16" (87.1mm)	2631206
Fitting Size: No. 10-No. 12	Fitting Thread Size: 7/8"-18	Length: 3 11/16" (93.4mm)	2631207

Straight Male O-Ring (Short Pilot) with R-134a High Side Charge Port Fitting



Length: 4 5/16" (109.5mm)	Fitting Size: No. 6-No. 6	Fitting Thread Size: 5/8"-18	2631501
Length: 4 43/64" (118.6mm)	Fitting Size: No. 8-No. 8	Fitting Thread Size: 3/4"-16	2631502
Length: 5" (127mm)	Fitting Size: No. 10-No. 10	Fitting Thread Size: 7/8"-14	2631503

Straight Male O-Ring (Short Pilot) with R-134a Low Side Charge Port Fitting



Fitting Size: No. 10-No. 10	Fitting Thread Size: 7/8"-14	Length: 5" (127mm)	2631506
Fitting Size: No. 10-No. 12	Fitting Thread Size: 1 1/16"-16	Length: 5" (127mm)	2631507

Straight Male O-Ring (Short Pilot) with R-134a Low Side Charge Port Fitting



Fitting Size: No. 10-No. 10	Fitting Thread Size: 7/8"-14	Length: 5" (127mm)	2631506
-----------------------------------	------------------------------------	-----------------------	----------------

Straight Male O-Ring (Short Pilot) with R-134a Low Side Charge Port Fitting (Step Up)



Fitting Size: No. 10-No. 12	Fitting Thread Size: 1 1/16"-16	Length: 5" (127mm)	2631507
-----------------------------------	---------------------------------------	-----------------------	----------------

Straight Male O-Ring (Rigid) Metric Thread Fitting (Step Up)



Length: 3 5/8" (91.9mm)	Fitting Size: No. 8-No. 10	Fitting Thread Size: M20 x 1.5	2631209
-------------------------------	-------------------------------	--------------------------------------	----------------

All Aeroquip E-Z Clip refrigerant fitting kits contain the fitting and all necessary cage, clips and o-rings.

Male O-Ring Fittings (cont'd)

Male O-Ring (Short Pilot) 45 Degree Elbow Fitting



Fitting Size: No. 6-No. 6	Fitting Thread Size: 5/8"-18	2631251
Fitting Size: No. 8-No. 8	Fitting Thread Size: 3/4"-18	2631252
Fitting Size: No. 10-No. 10	Fitting Thread Size: 7/8"-18	2631256

Male O-Ring (Short Pilot) 45 Degree Elbow Fitting (Step Up)



Fitting Size: No. 6-No. 8	Fitting Thread Size: 5/8"-18	2631258
---------------------------	------------------------------	----------------

Male O-Ring (Short Pilot) 90 Degree Elbow Fitting



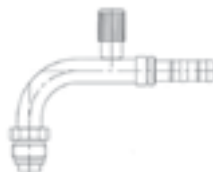
Fitting Size: No. 6-No. 6	Fitting Thread Size: 5/8"-18	2631291
Fitting Size: No. 8-No. 8	Fitting Thread Size: 3/4"-18	2631292
Fitting Size: No. 10-No. 10	Fitting Thread Size: 7/8"-18	2631293
Fitting Size: No. 12-No. 12	Fitting Thread Size: 1 1/16"-16	2631294

Male O-Ring (Short Pilot) 90 Degree Elbow No. 6 Fitting (Step Up)



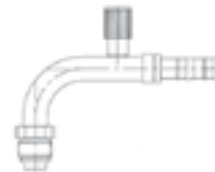
Fitting Size: No. 6-No. 8	Fitting Thread Size: 5/8"-18	2631296
Fitting Size: No. 8-No. 10	Fitting Thread Size: 3/4"-18	2631297
Fitting Size: No. 10-No. 12	Fitting Thread Size: 7/8"-14	2631298

Male O-Ring (Short Pilot) 90 Degree Elbow with R-134a High Side Charge Port Fitting



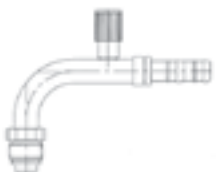
Fitting Size: No. 6-No. 6	Fitting Thread Size: 5/8"-18	R134a Port: High Side Charge	2631591
Fitting Size: No. 8-No. 8	Fitting Thread Size: 3/4"-16	R134a Port: High Side Charge	2631592
Fitting Size: No. 10-No. 10	Fitting Thread Size: 7/8"-18	R134a Port: High Side Charge	2631593

Male O-Ring (Short Pilot) 90 Degree Elbow with R-134a Low Side Charge Port Fitting



Fitting Size: No. 10-No. 10	Fitting Thread Size: 7/8"-18	R134a Port: Low Side Charge	2631596
-----------------------------	------------------------------	-----------------------------	----------------

Male O-Ring (Short Pilot) 90 Degree Elbow with R-134a Low Side Charge Port Fitting (Step Up)



Fitting Size: No. 10-No. 12	Fitting Thread Size: 7/8"-18	R134a Port: Low Side Charge	2631597
-----------------------------	------------------------------	-----------------------------	----------------

Male Insert O-Ring 90 Degree Elbow Fitting



Fitting Size: No. 6-No. 6	Fitting Thread Size: 5/8"-18	2631391
Fitting Size: No. 8-No. 8	Fitting Thread Size: 3/4"-16	2631392
Fitting Size: No. 10-No. 10	Fitting Thread Size: 7/8"-14	2631393

Male Insert O-Ring 90 Degree Elbow Fitting (Step Up)



Fitting Size: No. 8-No. 10	Fitting Thread Size: 3/4"-16	2631307
----------------------------	------------------------------	----------------

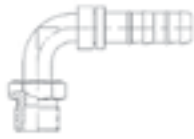
All Aeroquip E-Z Clip refrigerant fitting kits contain the fitting and all necessary cage, clips and o-rings.



Aeroquip E-Z Clip Fittings & Hoses

Male O-Ring Fittings (cont'd)

Male 90 Degree O-Ring (Rigid) Metric Thread Fitting (Step Up)



Fitting Size: No. 8-No. 10	Fitting Thread Size: M20 x 1.5	2631299
----------------------------	--------------------------------	----------------

Male Pilot Connection Fittings

90 Degree Pilot Connection (Long Pilot) Fitting



Fitting Size: No. 10-No. 10	2633094
-----------------------------	----------------

FITTINGS

Male Splicer Fittings

Straight Splicer Fitting



Fitting Size: No. 6-No. 6	Length: 4 5/8" (117.6mm)	2630701
Fitting Size: No. 8-No. 8	Length: 4 49/64" (120.1mm)	2630702
Fitting Size: No. 10-No. 10	Length: 5 11/16" (144.3mm)	2630703
Fitting Size: No. 12-No. 12	Length: 4 23/32" (119.9mm)	2630704

Splicer with High Side Switch Port (M10 x 1.25) Fitting



Fitting Size: No. 8-No. 8	Length: 5 39/64" (142.5mm)	2630912
Fitting Size: No. 10-No. 10	Length: 5 35/64" (140.7mm)	2630905


Splicer with Low Side Switch Port (M12 x 1.25) Fitting





Fitting Size: No. 12-No. 12	Length: 5 19/32" (142mm)	2630913
-----------------------------	--------------------------	----------------

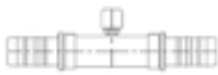
All Aeroquip E-Z Clip refrigerant fitting kits contain the fitting and all necessary cage, clips and o-rings.

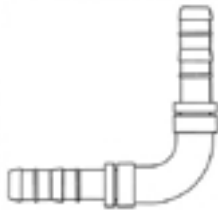
Male Splicer Fittings (cont'd)

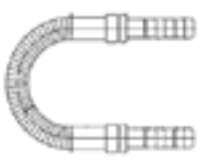
Splicer with High Side R134-a Charge Port Fitting		
		
Fitting Size: No. 6-No. 6	Length: 5 13/32" (137.4mm)	2630901
Fitting Size: No. 8-No. 8	Length: 5 39/64" (142.5mm)	2630902
Fitting Size: No. 10-No. 10	Length: 5 5/8" (142.7mm)	2630903
Fitting Size: No. 12-No. 12	Length: 5 43/64" (144mm)	2630904
Fitting Size: No. 10-No. 10	Length: 5 5/8" (142.7mm)	2630906
Fitting Size: No. 12-No. 12	Length: 5 43/64" (144mm)	2630907

Splicer with Switch Port Fitting		
		
Fitting Size: No. 6-No. 6	Length: 5 13/32" (137.4mm)	2630911
Fitting Size: No. 8-No. 8	Length: 5 39/64" (142.2mm)	2630908
Fitting Size: No. 10-No. 10	Length: 5 39/64" (142.2mm)	2630909
Fitting Size: No. 12-No. 12	Length: 5 39/64" (142.2mm)	2630910


Splicer T 3 Hose Connector Fitting		
		
Fitting Size: No. 6-No. 6-No. 6	Length: 5 21/32" (143.5mm)	2633912
Fitting Size: No. 6-No. 8-No. 8	Length: 5 31/64" (139.2mm)	2630706
Fitting Size: No. 8-No. 8	Length: 5 31/64" (139.2mm)	2630721
Fitting Size: No. 10-No. 10	Length: 5 5/8" (142.7mm)	2630707
Fitting Size: No. 10-No. 12-No. 12	Length: 5 43/64" (144mm)	2630708
Fitting Size: No. 12-No. 12	Length: 5 43/64" (144mm)	2630722

Splicer with R12 Charge Port Fitting		
		
Fitting Size: No. 16-No. 16	Length: 6 51/64" (172.5mm)	2633913

Splicer 90 Degree Fitting	
	
Fitting Size: No. 6-No. 6	2630791
Fitting Size: No. 8-No. 8	2630792
Fitting Size: No. 10-No. 10	2630793
Fitting Size: No. 12-No. 12	2630794

Splicer 180 Degree Fitting	
	
Fitting Size: No. 8-No. 8	2630705

Universal Swivel Fittings

90 Degree Universal Swivel (SAE 37 Degree or 45 Degree) Fitting		
		
Fitting Size: No. 4-No. 4	Fitting Thread Size: 7/16"-20	2632113

All Aeroquip E-Z Clip refrigerant fitting kits contain the fitting and all necessary cage, clips and o-rings.



AIR-O-CRIMP Fittings

Accessories

Part No: 2999105



General Specification: 9 inch Hand Crimp Pliers - Narrow Jaw Pincers

Part No: 2999106



General Specification: 9 inch Hand Crimp Pliers - Side Jaw Pincers

Hoses

AIR-O-CRIMP Hose



Hose Size: No. 6	Hose Inner Diameter: .320" (8.13mm)	Hose Outer Diameter: .580" (14.73mm)	2600016 (500-feet)
Hose Size: No. 8	Hose Inner Diameter: .420" (10.67mm)	Hose Outer Diameter: .690" (17.53mm)	2600017 (500-feet)
Hose Size: No. 10	Hose Inner Diameter: .510" (12.95mm)	Hose Outer Diameter: .780" (19.81mm)	2600018 (300-feet)
Hose Size: No. 12	Hose Inner Diameter: .635" (16.13mm)	Hose Outer Diameter: .965" (24.51mm)	2600019 (250-feet)

AIR-O-CRIMP Hose (must order in 50-foot increments)




Hose Size: No. 6	Hose Inner Diameter: .320" (8.13mm)	Hose Outer Diameter: .580" (14.73mm)	2600020
Hose Size: No. 8	Hose Inner Diameter: .420" (10.67mm)	Hose Outer Diameter: .690" (17.53mm)	2600021
Hose Size: No. 10	Hose Inner Diameter: .510" (12.95mm)	Hose Outer Diameter: .780" (19.81mm)	2600022
Hose Size: No. 12	Hose Inner Diameter: .635" (16.13mm)	Hose Outer Diameter: .965" (24.51mm)	2600023

FITTINGS




Female O-Ring Fittings

Straight Female O-Ring Fitting with Clamp




Fitting Size: No. 6	Fitting Thread Size: 5/8"-18	Hose Size: No. 6	2660004
Fitting Size: No. 8	Fitting Thread Size: 3/4"-16	Hose Size: No. 8	2660005
Fitting Size: No. 10	Fitting Thread Size: 7/8"-14	Hose Size: No. 10	2660006
Fitting Size: No. 12	Fitting Thread Size: 1 1/16"-14	Hose Size: No. 12	2660007

Straight Female O-Ring Fitting with Clamp (Step Up)



Fitting Size: No. 6	Fitting Thread Size: 5/8"-18	Hose Size: No. 8	2660008
Fitting Size: No. 8	Fitting Thread Size: 3/4"-16	Hose Size: No. 10	2660009
Fitting Size: No. 10	Fitting Thread Size: 7/8"-14	Hose Size: No. 12	2660010

Straight Female O-Ring with 13mm Switch or Service Port Fitting with Clamp




Fitting Size: No. 10	Fitting Thread Size: 7/8"-14	Hose Size: No. 10	2660011
Fitting Size: No. 12	Fitting Thread Size: 1 1/16"-14	Hose Size: No. 12	2660012

Straight Female O-Ring with 13mm Switch or Service Port Fitting with Clamp (Step Up)



Fitting Size: No. 10	Fitting Thread Size: 7/8"-14	Hose Size: No. 12	2660013
----------------------	------------------------------	-------------------	----------------

Straight Female O-Ring with 16mm Switch or Service Port Fitting with Clamp




Fitting Size: No. 8	Fitting Thread Size: 3/4"-16	Hose Size: No. 8	2660015
---------------------	------------------------------	------------------	----------------

Straight Female O-Ring with 16mm Switch or Service Port Fitting with Clamp (Step Up)




Fitting Size: No. 8	Fitting Thread Size: 3/4"-16	Hose Size: No. 10	2660016
---------------------	------------------------------	-------------------	----------------

Straight Female O-Ring with M10 Switch or Service Port Fitting with Clamp




Fitting Size: No. 10	Fitting Thread Size: 7/8"-14	Hose Size: No. 10	2660014
----------------------	------------------------------	-------------------	----------------

Straight Metric Female O-Ring M20 Fitting with Clamp



Fitting Size: M20	Fitting Thread Size: M20 x 1.5	Hose Size: No. 8	2660017
-------------------	--------------------------------	------------------	----------------

Female 45 Degree O-Ring Fitting with Clamp



Fitting Size: No. 6	Fitting Thread Size: 5/8"-18	Hose Size: No. 6	2660031
Fitting Size: No. 8	Fitting Thread Size: 3/4"-16	Hose Size: No. 8	2660032
Fitting Size: No. 10	Fitting Thread Size: 7/8"-14	Hose Size: No. 10	2660034
Fitting Size: No. 12	Fitting Thread Size: 1 1/16"-14	Hose Size: No. 12	2660036



AIR-O-CRIMP Fittings

Female O-Ring Fittings (cont'd)

FITTINGS

Female 45 Degree O-Ring Fitting with Clamp (Step Up)



Fitting Size: No. 8	Fitting Thread Size: 3/4"-16	Hose Size: No. 10	2660033
Fitting Size: No. 10	Fitting Thread Size: 7/8"-14	Hose Size: No. 12	2660035

Female 90 Degree O-Ring Fitting with Clamp



Fitting Size: No. 6	Fitting Thread Size: 5/8"-18	Hose Size: No. 6	2660018
Fitting Size: No. 8	Fitting Thread Size: 3/4"-16	Hose Size: No. 8	2660019
Fitting Size: No. 10	Fitting Thread Size: 7/8"-14	Hose Size: No. 10	2660020
Fitting Size: No. 12	Fitting Thread Size: 1 1/16"-14	Hose Size: No. 12	2660021

Female 90 Degree O-Ring Fitting with Clamp (Step Up)



Fitting Size: No. 6	Fitting Thread Size: 5/8"-18	Hose Size: No. 8	2660022
Fitting Size: No. 8	Fitting Thread Size: 3/4"-16	Hose Size: No. 10	2660023
Fitting Size: No. 10	Fitting Thread Size: 7/8"-14	Hose Size: No. 12	2660024

Female 90 Degree O-Ring with 16mm Switch or Service Port Fitting with Clamp



Fitting Size: No. 8	Fitting Thread Size: 3/4"-16	Hose Size: No. 8	2660025
------------------------	------------------------------------	---------------------	----------------

Female 90 Degree O-Ring with 16mm Switch or Service Port Fitting with Clamp (Step Up)



Fitting Size: No. 8	Fitting Thread Size: 3/4"-16	Hose Size: No. 10	2660026
------------------------	------------------------------------	----------------------	----------------

Female 90 Degree O-Ring with 13mm Switch or Service Port Fitting with Clamp



Fitting Size: No. 10	Fitting Thread Size: 7/8"-14	Hose Size: No. 10	2660027
Fitting Size: No. 12	Fitting Thread Size: 1 1/16"-14	Hose Size: No. 12	2660029

Female 90 Degree O-Ring with 13mm Switch or Service Port Fitting with Clamp (Step Up)




Fitting Size: No. 10	Fitting Thread Size: 7/8"-14	Hose Size: No. 12	2660028
-------------------------	------------------------------------	----------------------	----------------


Female 90 Degree Metric O-Ring M20 Fitting with Clamp





Fitting Size: M20	Fitting Thread Size: M20 x 1.5	Hose Size: No. 8	2660030
----------------------	--------------------------------------	---------------------	----------------


Male O-Ring Fittings


Straight Male Insert O-Ring Fitting with Clamp			
			
Fitting Size: No. 6	Fitting Thread Size: 5/8"-18	Hose Size: No. 6	2660052
Fitting Size: No. 8	Fitting Thread Size: 3/4"-16	Hose Size: No. 8	2660053
Fitting Size: No. 10	Fitting Thread Size: 7/8"-14	Hose Size: No. 10	2660054


Straight Male Insert O-Ring Fitting with Clamp (Step Up)			
			
Fitting Size: No. 10	Fitting Thread Size: 7/8"-14	Hose Size: No. 12	2660055

Straight Male O-Ring Fitting with Clamp			
			
Fitting Size: No. 6	Fitting Thread Size: 5/8"-18	Hose Size: No. 6	2660037
Fitting Size: No. 8	Fitting Thread Size: 3/4"-16	Hose Size: No. 8	2660039
Fitting Size: No. 10	Fitting Thread Size: 7/8"-18	Hose Size: No. 10	2660040
Fitting Size: No. 12	Fitting Thread Size: 1 1/16"-16	Hose Size: No. 12	2660042

Straight Male O-Ring Fitting with Clamp (Step Up)			
			
Fitting Size: No. 6	Fitting Thread Size: 5/8"-18	Hose Size: No. 8	2660038
Fitting Size: No. 10	Fitting Thread Size: 7/8"-14	Hose Size: No. 12	2660041

Straight O-Ring Fitting with Clamp and Neoprene O-Ring			
			
Fitting Size: No. 12	Hose Size: No. 12	2660090	

Straight O-Ring Fitting with Clamp and Neoprene O-Ring (Step Up)			
			
Fitting Size: No. 6	Hose Size: No. 8	2660089	

Male 45 Degree O-Ring Fitting with Clamp			
			
Fitting Size: No. 6	Fitting Thread Size: 5/8"-18	Hose Size: No. 6	2660050
Fitting Size: No. 10	Fitting Thread Size: 7/8"-18	Hose Size: No. 10	2660051

Male 45 Degree O-Ring Fitting with Clamp and Neoprene O-Ring			
			
Fitting Size: No. 12	Hose Size: No. 12	2660092	

Male 45 Degree O-Ring Fitting with Clamp and Neoprene O-Ring (Step Up)			
			
Fitting Size: No. 6	Hose Size: No. 8	2660091	



AIR-O-CRIMP Fittings

Male O-Ring Fittings (cont'd)

FITTINGS

Male 90 Degree Bulkhead Insert O-Ring Fitting with Clamp



Fitting Size: No. 6	Fitting Thread Size: 5/8"-18	Hose Size: No. 6	2660060
Fitting Size: No. 8	Fitting Thread Size: 3/4"-16	Hose Size: No. 8	2660061
Fitting Size: No. 10	Fitting Thread Size: 7/8"-14	Hose Size: No. 10	2660062

Male 90 Degree Bulkhead Insert O-Ring Fitting with Clamp (Step Up)



Fitting Size: No. 10	Fitting Thread Size: 7/8"-14	Hose Size: No. 12	2660063
-------------------------	------------------------------------	----------------------	----------------

Male 90 Degree Insert O-Ring Fitting with Clamp



Fitting Size: No. 8	Fitting Thread Size: 3/4"-16	Hose Size: No. 8	2660056
Fitting Size: No. 10	Fitting Thread Size: 7/8"-14	Hose Size: No. 12	2660059

Male 90 Degree Insert O-Ring Fitting with Clamp (Step Up)



Fitting Size: No. 8	Fitting Thread Size: 3/4"-16	Hose Size: No. 10	2660057
Fitting Size: No. 10	Fitting Thread Size: 7/8"-14	Hose Size: No. 12	2660059

Male 90 Degree O-Ring Fitting with Clamp



Fitting Size: No. 6	Fitting Thread Size: 5/8"-18	Hose Size: No. 6	2660043
Fitting Size: No. 8	Fitting Thread Size: 3/4"-18	Hose Size: No. 8	2660045
Fitting Size: No. 10	Fitting Thread Size: 7/8"-18	Hose Size: No. 10	2660047
Fitting Size: No. 12	Fitting Thread Size: 1 1/16"-16	Hose Size: No. 12	2660049

Male 90 Degree O-Ring Fitting with Clamp (Step Up)



Fitting Size: No. 8	Fitting Thread Size: 3/4"-18	Hose Size: No. 10	2660046
Fitting Size: No. 10	Fitting Thread Size: 5/8"-18	Hose Size: No. 12	2660044
Fitting Size: No. 10	Fitting Thread Size: 7/8"-18	Hose Size: No. 12	2660048

Male 90 Degree O-Ring Fitting with Clamp and Neoprene O-Ring



Fitting Size: No. 12	Hose Size: No. 12	2660094
----------------------	-------------------	----------------

Male 90 Degree O-Ring Fitting with Clamp and Neoprene O-Ring (Step Up)



Fitting Size: No. 6	Hose Size: No. 8	2660093
---------------------	------------------	----------------

Splicer Fittings

Straight Splicer with Clamp Assembly Fitting



Fitting Size: No. 6	Hose Size: No. 6	2660064
Fitting Size: No. 8	Hose Size: No. 8	2660065
Fitting Size: No. 10	Hose Size: No. 10	2660066
Fitting Size: No. 12	Hose Size: No. 12	2660067

Straight Splicer with Switch or Service Port with Clamp Assembly Fitting



Fitting Size: No. 8	Hose Size: No. 8	2660068
Fitting Size: No. 8	Hose Size: No. 8	2660070
Fitting Size: No. 10	Hose Size: No. 10	2660069
Fitting Size: No. 10	Hose Size: No. 10	2660071
Fitting Size: No. 12	Hose Size: No. 12	2660072

T-Splicer 3-Way Barb with Clamp Assembly Fitting



Fitting Size: No. 6	Hose Inner Diameter: No. 6	2660073
Fitting Size: No. 8	Hose Inner Diameter: No. 6	2660077
Fitting Size: No. 8	Hose Inner Diameter: No. 8	2660074
Fitting Size: No. 10	Hose Inner Diameter: No. 10	2660075
Fitting Size: No. 12	Hose Inner Diameter: No. 10	2660078
Fitting Size: No. 12	Hose Inner Diameter: No. 12	2660076

Straight Splicer with 7/16-20 Valve Core Port Fitting



Fitting Size: No. 8	Hose Size: No. 8	2660086
Fitting Size: No. 10	Hose Size: No. 10	2660087
Fitting Size: No. 12	Hose Size: No. 12	2660088

Y-Splicer 3-Way Barb with Clamp Fitting



Fitting Size: No. 8	Hose Inner Diameter: No. 8	2660079
Fitting Size: No. 12	Hose Inner Diameter: No. 12	2660080

Weld-On Fittings

Straight Weld-On Barb Kit with Clamp Fitting



Fitting Size: No. 6	Hose Size: No. 6	2660081
Fitting Size: No. 8	Hose Size: No. 8	2660082
Fitting Size: No. 10	Hose Size: No. 10	2660083
Fitting Size: No. 12	Hose Size: No. 12	2660084
Fitting Size: No. 12	Hose Size: No. 12	2660085



AIR-O-CRIMP Fittings

AIR-O-CRIMP Assembly

Cut or trim the hose.

Cut or trim the hose to the desired length using the kwikcut hose cutter. The cut should be made square to the hose length.



Assemble the clamp.

Assemble the clamp assembly onto the hose with the locator tab positioned approximately where the fitting groove will be when the fitting is assembled.



Apply refrigerant oil.

Apply a small amount of refrigerant oil (PAG or Ester) to the fitting barb and o-rings (optional). Assemble the fitting into the hose until the hose touches the ramped step on the fitting. Adjust the clamp assembly so the tab on the locator "snaps" into the groove of the fitting.



Crimp clamps.

Using the air crimp gun or the manual crimp pliers, crimp each clamp separately.

Caution: If using the manual pliers, make sure that there is a metal to metal contact of the clamp ear when the crimp is made. There will be a slight amount of spring-back of the clamp ear when the crimp pliers are released. Failure to fully close the clamp may result in refrigerant leaks.



Locator comes off.

The locator will "pop off" after the second clamp is crimped and can be discarded. The result is a clean appearance and a reliable assembly.



Accessories

Part No: 2610005




General Specifications: Portable hand operation, OE style triple bubble crimp, Quick change dies, Heavy duty construction, Light weight, Capable of crimping under-hood applications, Six die set includes to crimp all four sizes of both 2-braid & reduced barrier hose, Unit can be bench mounted, Shipped in custom carry case, No electrical required

Part No: 2610006



General Specifications: Hydraulic Cylinder

Part No: 2614248



Length: 6 ft.
Diameter: 3/8" (9.53mm)
General Specifications: 10,000 PSIG Hose with Male Quick Disconnect

ATCO Hose Clamp Assembly (packaged in quantities of 10)



Hose Size: No. 6	Color: Red	2660000
Hose Size: No. 8	Color: Black	2660001
Hose Size: No. 10	Color: Yellow	2660002
Hose Size: No. 12	Color:	2660003

FITTINGS



ATCO Beadlock Fittings

Goodyear (Galaxy) Hoses

- **This hose meets J2064 specification**

- **Easy Couplability**

Internal rubber layer makes coupling simple, assuring better assembly integrity while reducing the risk of refrigerant loss around the fittings.

- **Reduced Ozone Permeation**

Internal Nylon Barrier hose is specifically designed to reduce the permeation level of ozone depleting refrigerant and chemicals in heavy duty air conditioning systems.

- **Universal Compatibility**

Extensive testing has shown 4826 Barrier Hose to be compatible with R-12, R-134a and Ternary Blends.

- Low Volumetric Expansion

- Dimensionally Stable

- Flexible

- Easy to Route

- Reduction in Noise & Vibration

- J51 All Outside Diameters

- Tube: Polychloroprene Barrier

- Reinforcement: Synthetic Yarn

- Cover: EPDM

NOTE: For use with steel or aluminum Push-On or Beadlock (Bubble Crimp) type fittings only!

Goodyear (Galaxy) 4826 Hose for Standard Fitting



Hose Size:	Hose Inner Diameter:	Hose Outer Diameter:	Hose Length:	Part Number:
No. 6	5/16" (7.9mm)	3/4" (19.1mm)	50 feet	2610001
No. 8	13/32" (10.3mm)	29/32" 23mm)	50 feet	2610002
No. 10	1/2" (12.7mm)	1" 25.4mm)	50 feet	2610003
No. 12	5/8" (15.9mm)	1 1/8" (28.6mm)	50 feet	2610004
No. 6	5/16" (7.9mm)	3/4" (19.1mm)	825 feet	2610001-DS
No. 8	13/32" (10.3mm)	29/32" 23mm)	725 feet	2610002-DS
No. 10	1/2" (12.7mm)	1" 25.4mm)	700 feet	2610003-DS
No. 12	5/8" (15.9mm)	1 1/8" (28.6mm)	525 feet	2610004-DS

Goodyear (Galaxy) 4890 Hose for Reduced Fitting



Hose Size:	Hose Inner Diameter:	Hose Outer Diameter:	Hose Length:	Part Number:
No. 6	5/16" (7.9mm)	9/16" (14.7mm)	50 feet	2600039
No. 8	13/32" (10.3mm)	11/16" (17.3mm)	50 feet	2600040
No. 10	1/2" (12.7mm)	3/4" (19.4mm)	50 feet	2600041
No. 12	5/8" (15.9mm)	15/16" (23.6mm)	50 feet	2600042
No. 6	5/16" (7.9mm)	9/16" (14.7mm)	825 feet	2600005
No. 8	13/32" (10.3mm)	11/16" (17.3mm)	725 feet	2600006
No. 10	1/2" (12.7mm)	3/4" (19.4mm)	600 feet	2600007
No. 12	5/8" (15.9mm)	15/16" (23.6mm)	425 feet	2600008

Compression Fittings - Standard Barrier

Straight Compression Fitting (Standard Barrier)



Fitting Size: No. 6	Fitting Thread Size: 3/8" Tube	Hose Size: No. 6	2622705
Fitting Size: No. 8	Fitting Thread Size: 1/2" Tube	Hose Size: No. 8	2622706
Fitting Size: No. 10	Fitting Thread Size: 5/8" Tube	Hose Size: No. 8	2614094
Fitting Size: No. 10	Fitting Thread Size: 5/8" Tube	Hose Size: No. 10	2622707
Fitting Size: No. 12	Fitting Thread Size: 3/4" Tube	Hose Size: No. 12	2614022

Straight Compression Fitting (Standard Barrier, Step Up)



Fitting Size: No. 6	Fitting Thread Size: 3/8" Tube	Hose Size: No. 8	2614090
Fitting Size: No. 8	Fitting Thread Size: 1/2" Tube	Hose Size: No. 10	2614091
Fitting Size: No. 10	Fitting Thread Size: 5/8" Tube	Hose Size: No. 12	2614092

Straight Compression Fitting (Standard Barrier, Step Down)



Fitting Size: No. 8	Fitting Thread Size: 1/2" Tube	Hose Size: No. 6	2614093
Fitting Size: No. 10	Fitting Thread Size: 5/8" Tube	Hose Size: No. 8	2614094

Straight Compression Metric Fitting



Fitting Size: No. 6	Fitting Thread Size: 8mm Tube	Hose Size: No. 6	2614103
Fitting Size: No. 8	Fitting Thread Size: 12mm Tube	Hose Size: No. 8	2614104
Fitting Size: No. 10	Fitting Thread Size: 14.5mm Tube	Hose Size: No. 10	2614105

90 Degree Compression Fitting (Standard Barrier)



Fitting Size: No. 6	Fitting Thread Size: 3/8" Tube	Hose Size: No. 6	2614095
Fitting Size: No. 8	Fitting Thread Size: 1/2" Tube	Hose Size: No. 8	2614096
Fitting Size: No. 10	Fitting Thread Size: 5/8" Tube	Hose Size: No. 10	2614097
Fitting Size: No. 12	Fitting Thread Size: 3/4" Tube	Hose Size: No. 12	2614098

90 Degree Compression Fitting (Standard Barrier, Step Up)



Fitting Size: No. 6	Fitting Thread Size: 3/8" Tube	Hose Size: No. 8	2614099
Fitting Size: No. 8	Fitting Thread Size: 1/2" Tube	Hose Size: No. 10	2614100
Fitting Size: No. 10	Fitting Thread Size: 5/8" Tube	Hose Size: No. 12	2614101

90 Degree Compression Fitting (Standard Barrier, Step Down)



Fitting Size: No. 12	Fitting Thread Size: 5/8" Tube	Hose Size: No. 8	2614102
----------------------	--------------------------------	------------------	----------------

FITTINGS



ATCO Beadlock Fittings

Female Flare Fittings - Standard Barrier

FITTINGS

Straight Female Flare Fitting (Standard Barrier)



Fitting Size: No. 6	Fitting Thread Size: 5/8"-18	Hose Size: No. 6	2612101
Fitting Size: No. 8	Fitting Thread Size: 3/4"-16	Hose Size: No. 8	2612102
Fitting Size: No. 10	Fitting Thread Size: 7/8"-14	Hose Size: No. 10	2612103
Fitting Size: No. 12	Fitting Thread Size: 1 1/16"-14	Hose Size: No. 12	2614027

Straight Female Flare Fitting (Standard Barrier, Step Up)



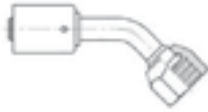
Fitting Size: No. 6	Fitting Thread Size: 5/8"-18	Hose Size: No. 8	2614028
Fitting Size: No. 8	Fitting Thread Size: 3/4"-16	Hose Size: No. 10	2614029
Fitting Size: No. 10	Fitting Thread Size: 7/8"-14	Hose Size: No. 12	2614030

Straight Female Flare Fitting (Standard Barrier, Step Down)



Fitting Size: No. 8	Fitting Thread Size: 3/4"-16	Hose Size: No. 6	2614031
------------------------	------------------------------------	---------------------	----------------

Female 45 Degree Flare Fitting (Standard Barrier)



Fitting Size: No. 6	Fitting Thread Size: 5/8"-18	Hose Size: No. 6	2614032
Fitting Size: No. 8	Fitting Thread Size: 3/4"-16	Hose Size: No. 8	2614033
Fitting Size: No. 10	Fitting Thread Size: 7/8"-14	Hose Size: No. 10	2614034
Fitting Size: No. 12	Fitting Thread Size: 1 1/16"-14	Hose Size: No. 12	2614035

Female 90 Degree Flare Fitting (Standard Barrier)



Fitting Size: No. 6	Fitting Thread Size: 5/8"-18	Hose Size: No. 6	2612191
Fitting Size: No. 8	Fitting Thread Size: 3/4"-16	Hose Size: No. 8	2612192
Fitting Size: No. 10	Fitting Thread Size: 7/8"-14	Hose Size: No. 10	2612193
Fitting Size: No. 10	Fitting Thread Size: 7/8"-14	Hose Size: No. 10	2622193*
Fitting Size: No. 12	Fitting Thread Size: 1 1/16"-14	Hose Size: No. 12	2612194

Female 90 Degree Flare Fitting (Standard Barrier, Step Up)



Fitting Size: No. 6	Fitting Thread Size: 5/8"-18	Hose Size: No. 8	2614036
Fitting Size: No. 8	Fitting Thread Size: 3/4"-16	Hose Size: No. 10	2614037
Fitting Size: No. 10	Fitting Thread Size: 7/8"-14	Hose Size: No. 12	2614038

* Indicates aluminum fitting

Female O-Ring Fittings - Standard Barrier



Fitting Size: No. 6	Fitting Thread Size: 5/8"-18	Hose Size: No. 6	2612201
Fitting Size: No. 8	Fitting Thread Size: 3/4"-16	Hose Size: No. 8	2612202
Fitting Size: No. 10	Fitting Thread Size: 7/8"-14	Hose Size: No. 10	2612203
Fitting Size: No. 12	Fitting Thread Size: 1 1/16"-14	Hose Size: No. 12	2612204



Fitting Size: No. 6	Fitting Thread Size: 5/8"-18	Hose Size: No. 8	2612207
Fitting Size: No. 8	Fitting Thread Size: 3/4"-16	Hose Size: No. 10	2612208
Fitting Size: No. 10	Fitting Thread Size: 7/8"-14	Hose Size: No. 12	2612209



Fitting Size: No. 8	Fitting Thread Size: 3/4"-16	Hose Size: No. 6	2612210
Fitting Size: No. 12	Fitting Thread Size: 1 1/16"-14	Hose Size: No. 10	2612211



Fitting Size: M20	Fitting Thread Size: M20 x 1.5	Hose Size: No. 8	2612206
-------------------	--------------------------------	------------------	----------------



Fitting Size: 5	Fitting Thread Size: 9/16"-18	Hose Size: No. 6	2614120
-----------------	-------------------------------	------------------	----------------



Fitting Size: M18	Fitting Thread Size: M18 x 1.5	Hose Size: No. 6	2614121
-------------------	--------------------------------	------------------	----------------



Fitting Size: No. 10	Fitting Thread Size: 7/8"-14	Hose Size: No. 12	2612506
----------------------	------------------------------	-------------------	----------------



Fitting Size: No. 8	Fitting Thread Size: M10 x 1.25	Hose Size: 3/4"-16	2612508
---------------------	---------------------------------	--------------------	----------------



Fitting Size: No. 8	Fitting Thread Size: 3/4"-16	Hose Size: No. 8	2614040
---------------------	------------------------------	------------------	----------------

FITTINGS



ATCO Beadlock Fittings

Female O-Ring Fittings - Standard Barrier (cont'd)

FITTINGS

Straight Female O-Ring with 13mm R-134a Port Fitting (Standard Barrier)



Fitting Size: No. 10	Fitting Thread Size: 7/8"-14	Hose Size: No. 10	2612503
Fitting Size: No. 12	Fitting Thread Size: 1 1/16"-14	Hose Size: No. 12	2612504

Straight Female O-Ring with 16mm R-134a Port Fitting (Standard Barrier)



Fitting Size: No. 6	Fitting Thread Size: 5/8"-18	Hose Size: No. 6	2612501
Fitting Size: No. 8	Fitting Thread Size: 3/4"-16	Hose Size: No. 8	2612502

Straight Female O-Ring with M10 R-134a Port Fitting (Standard Barrier)



Fitting Size: No. 6	Fitting Thread Size: 5/8"-18	Hose Size: No. 6	2612511
Fitting Size: No. 8	Fitting Thread Size: 3/4"-16	Hose Size: No. 8	2612512
Fitting Size: No. 10	Fitting Thread Size: 7/8"-14	Hose Size: No. 10	2612513
Fitting Size: No. 10	Fitting Thread Size: 7/8"-14	Hose Size: No. 12	2612514

Straight Female O-Ring with 1/4" R-12-Port Fitting (Standard Barrier)



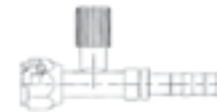
Fitting Size: No. 6	Fitting Thread Size: 5/8"-18	Hose Size: No. 6	2614012
---------------------	------------------------------	------------------	----------------

Straight Female O-Ring Fitting (Standard Barrier)



Fitting Size: No. 6	Fitting Thread Size: 5/8"-18	Hose Size: No. 6	2614246
Fitting Size: No. 8	Fitting Thread Size: 3/4"-16	Hose Size: No. 8	2614247

Straight Female O-Ring (Short Pilot) with 16mm High Side Charge Port Fitting (Standard Barrier)



Fitting Size: No. 6	Fitting Thread Size: 5/8"-18	Hose Size: No. 6	2632501
---------------------	------------------------------	------------------	----------------

Straight Female O-Ring Fitting (Standard Barrier)



Fitting Size: No. 10	Fitting Thread Size: 7/8"-14	Hose Size: No. 8	2614024
----------------------	------------------------------	------------------	----------------

Female 45 Degree O-Ring Fitting (Standard Barrier)



Fitting Size: No. 6	Fitting Thread Size: 5/8"-18	Hose Size: No. 6	2612251
Fitting Size: No. 8	Fitting Thread Size: 3/4"-16	Hose Size: No. 8	2612252
Fitting Size: No. 10	Fitting Thread Size: 7/8"-14	Hose Size: No. 10	2612253
Fitting Size: No. 12	Fitting Thread Size: 1 1/16"-14	Hose Size: No. 12	2612254

Female 45 Degree O-Ring Fitting (Standard Barrier, Step Up)



Fitting Size: No. 6	Fitting Thread Size: 5/8"-18	Hose Size: No. 8	2612257
Fitting Size: No. 8	Fitting Thread Size: 3/4"-16	Hose Size: No. 10	2614043
Fitting Size: No. 8	Fitting Thread Size: 3/4"-16	Hose Size: No. 10	2614021
Fitting Size: No. 10	Fitting Thread Size: 7/8"-14	Hose Size: No. 12	2612256


Female O-Ring Fittings - Standard Barrier (cont'd)

Female 45 Degree O-Ring Fitting (Standard Barrier, Step Down)



Fitting Size: No. 8	Fitting Thread Size: 3/4"-16	Hose Size: No. 6	2614044
---------------------	------------------------------	------------------	----------------

Female 45 Degree O-Ring with Quick Disconnect R-134a Port Fitting (Standard Barrier)



Fitting Size: No. 6	Fitting Thread Size: 5/8"-18	Hose Size: No. 6	2612551
Fitting Size: No. 6	Fitting Thread Size: 5/8"-18	Hose Size: No. 6	2622551*
Fitting Size: No. 8	Fitting Thread Size: 3/4"-16	Hose Size: No. 8	2612552
Fitting Size: No. 10	Fitting Thread Size: 7/8"-14	Hose Size: No. 10	2612553
Fitting Size: No. 12	Fitting Thread Size: 1 1/16"-14	Hose Size: No. 12	2612554

Female 45 Degree O-Ring with Quick Disconnect R-134a Port Fitting (Standard Barrier, Step Up)



Fitting Size: No. 10	Fitting Thread Size: 7/8"-14	Hose Size: No. 12	2612556
----------------------	------------------------------	-------------------	----------------

Female 45 Degree O-Ring with 1/4" R-12 Port Fitting (Standard Barrier)



Fitting Size: No. 8	Fitting Thread Size: 3/4"-16	Hose Size: No. 8	2614041
Fitting Size: No. 10	Fitting Thread Size: 7/8"-14	Hose Size: No. 10	2614042

Female 45 Degree O-Ring Metric Thread Fitting (Standard Barrier)



Fitting Size: 5	Fitting Thread Size: 9/16"-18	Hose Size: No. 6	2614122
Fitting Size: No. 5	Fitting Thread Size: 9/16"-18	Hose Size: No. 6	2614123
Fitting Size: M16	Fitting Thread Size: M16 x 1.5	Hose Size: No. 6	2614124
Fitting Size: M18	Fitting Thread Size: M18 x 1.5	Hose Size: No. 6	2614125
Fitting Size: M20	Fitting Thread Size: M20 x 1.5	Hose Size: No. 6	2614126
Fitting Size: M20	Fitting Thread Size: M20 x 1.5	Hose Size: No. 8	2614127

Female 90 Degree O-Ring Fitting (Standard Barrier)



Fitting Size: No. 6	Fitting Thread Size: 5/8"-18	Hose Size: No. 6	2612291
Fitting Size: No. 8	Fitting Thread Size: 3/4"-16	Hose Size: No. 8	2612292
Fitting Size: No. 10	Fitting Thread Size: 7/8"-14	Hose Size: No. 10	2612293
Fitting Size: No. 12	Fitting Thread Size: 1 1/16"-14	Hose Size: No. 12	2612294

* Indicates aluminum fitting



ATCO Beadlock Fittings

Female O-Ring Fittings - Standard Barrier (cont'd)

FITTINGS

Female 90 Degree O-Ring Fitting (Standard Barrier, Step Up)



Fitting Size: No. 6	Fitting Thread Size: 5/8"-18	Hose Size: No. 8	2612296
Fitting Size: No. 8	Fitting Thread Size: 3/4"-16	Hose Size: No. 10	2612297
Fitting Size: No. 10	Fitting Thread Size: 7/8"-14	Hose Size: No. 12	2612298

Female 90 Degree O-Ring Fitting (Standard Barrier, Step Down)



Fitting Size: No. 8	Fitting Thread Size: 3/4"-16	Hose Size: No. 6	2612299
Fitting Size: No. 12	Fitting Thread Size: 1 1/16"-14	Hose Size: No. 10	2612212

Female 90 Degree O-Ring with 16mm R-134a Port (20 Degree Offset) Fitting



Fitting Size: No. 6	Fitting Thread Size: 5/8"-18	Hose Size: No. 6	2614013
---------------------	------------------------------	------------------	----------------

Female 90 Degree O-Ring with 13mm R-134a Port (20 Degree Offset) Fitting (Standard Barrier)



Fitting Size: No. 10	Fitting Thread Size: 7/8"-14	Hose Size: No. 12	2612519
----------------------	------------------------------	-------------------	----------------

Female 90 Degree O-Ring with 13mm R-134a Port Fitting Standard Barrier



Fitting Size: No. 10	Fitting Thread Size: 7/8"-14	Hose Size: No. 12	2612518
----------------------	------------------------------	-------------------	----------------

Female 90 Degree O-Ring with Quick Disconnect R-134a Port Fitting Standard Barrier



Fitting Size: No. 8	Fitting Thread Size: 3/4"-16	Hose Size: No. 10	2614055
---------------------	------------------------------	-------------------	----------------

Female 90 Degree O-Ring with M12 R-12 Port Fitting (Standard Barrier)



Fitting Size: No. 12	Fitting Thread Size: 1 1/16"-14	Hose Size: No. 12	2614053
----------------------	---------------------------------	-------------------	----------------

Female 90 Degree O-Ring with 1/4" R-12 Port Fitting (Standard Barrier)



Fitting Size: No. 8	Fitting Thread Size: 3/4"-16	Hose Size: No. 10	2614054
---------------------	------------------------------	-------------------	----------------

Female 90 Degree O-Ring with 1/4" R-12 Port Fitting (Standard Barrier)



Fitting Size: No. 8	Fitting Thread Size: 3/4"-16	Hose Size: No. 8	2614014
---------------------	------------------------------	------------------	----------------

Female O-Ring Fittings - Standard Barrier (cont'd)

90 Degree Female 16mm R-134a Port and M10 Switch (Offset) O-Ring Fitting (Standard Barrier)



Fitting Size: No. 8	Fitting Thread Size: 3/4"-16	Hose Size: No. 8	2612515
------------------------	------------------------------------	---------------------	----------------

90 Degree Female 16mm R-134a Port and M10 Switch Port O-Ring Fitting (Standard Barrier)



Fitting Size: No. 8	Fitting Thread Size: 3/4"-16	Hose Size: No. 8	2612510
------------------------	------------------------------------	---------------------	----------------

Female 90 Degree O-Ring with 13mm R-134a Port Fitting (Standard Barrier)



Fitting Size: No. 10	Fitting Thread Size: 7/8"-14	Hose Size: No. 10	2612593
-------------------------	------------------------------------	----------------------	----------------

Fitting Size: No. 12	Fitting Thread Size: 1 1/16"-14	Hose Size: No. 12	2612594
-------------------------	---------------------------------------	----------------------	----------------

Female 90 Degree O-Ring with 13mm R-134a Port Fitting (Standard Barrier, Step Up)



Fitting Size: No. 10	Fitting Thread Size: 7/8"-14	Hose Size: No. 12	2612596
-------------------------	------------------------------------	----------------------	----------------

Female 90 Degree O-Ring with 16mm R-134a Port Fitting (Standard Barrier)



Fitting Size: No. 6	Fitting Thread Size: 5/8"-18	Hose Size: No. 6	2612591
------------------------	------------------------------------	---------------------	----------------

Fitting Size: No. 8	Fitting Thread Size: 3/4"-16	Hose Size: No. 8	2612592
------------------------	------------------------------------	---------------------	----------------

Female 90 Degree O-Ring with M10 R-134a Port Fitting (Standard Barrier)



Fitting Size: No. 6	Fitting Thread Size: 5/8"-18	Hose Size: No. 6	2612597
------------------------	------------------------------------	---------------------	----------------

Fitting Size: No. 8	Fitting Thread Size: 3/4"-16	Hose Size: No. 8	2612598
------------------------	------------------------------------	---------------------	----------------

Fitting Size: No. 10	Fitting Thread Size: 7/8"-14	Hose Size: No. 10	2612599
-------------------------	------------------------------------	----------------------	----------------

Fitting Size: No. 12	Fitting Thread Size: 1 1/16"-14	Hose Size: No. 12	2612590
-------------------------	---------------------------------------	----------------------	----------------

90 Degree Female 16mm R-134a Port and M10 Switch (Offset) O-Ring Fitting (Standard Barrier)



Fitting Size: No. 8	Fitting Thread Size: 3/4"-16	Hose Size: No. 8	2612516
------------------------	------------------------------------	---------------------	----------------

Female 90 Degree (Short Drop) 13mm R-134a Port Fitting (Standard Barrier)



Fitting Size: No. 10	Fitting Thread Size: 7/8"-14	Hose Size: No. 10	2614052
-------------------------	------------------------------------	----------------------	----------------

Fitting Size: No. 10	Fitting Thread Size: 7/8"-14	Hose Size: No. 12	2614057
-------------------------	------------------------------------	----------------------	----------------

Female 90 Degree (Short Drop) 16mm R-134a Port Fitting (Standard Barrier)



Fitting Size: No. 6	Fitting Thread Size: 5/8"-18	Hose Size: No. 6	2614046
------------------------	------------------------------------	---------------------	----------------

Fitting Size: No. 8	Fitting Thread Size: 3/4"-16	Hose Size: No. 8	2614050
------------------------	------------------------------------	---------------------	----------------

FITTINGS



ATCO Beadlock Fittings

Female O-Ring Fittings - Standard Barrier (cont'd)

FITTINGS

Female 90 Degree (Short Drop) Fitting (Standard Barrier)



Fitting Size: No. 6	Fitting Thread Size: 5/8"-18	Hose Size: No. 6	2614045
Fitting Size: No. 8	Fitting Thread Size: 3/4"-16	Hose Size: No. 8	2614049
Fitting Size: No. 10	Fitting Thread Size: 7/8"-14	Hose Size: No. 10	2614051

Female 90 Degree (Short Drop) Fitting (Standard Barrier, Step Up)



Fitting Size: No. 10	Fitting Thread Size: 7/8"-14	Hose Size: No. 12	2614056
----------------------	------------------------------	-------------------	----------------

Female 180 Degree O-Ring Fitting (Standard Barrier)



Fitting Size: No. 6	Fitting Thread Size: 5/8"-18	Hose Size: No. 6	2612281
Fitting Size: No. 8	Fitting Thread Size: 3/4"-16	Hose Size: No. 8	2614025
Fitting Size: No. 10	Fitting Thread Size: 7/8"-14	Hose Size: No. 10	2614074
Fitting Size: No. 12	Fitting Thread Size: 1 1/16"-14	Hose Size: No. 12	2614026

Female Rotalock Fittings - Standard Barrier

Female 90 Degree Rotalok with Service Port Fitting (Standard Barrier)



Hose Size: No. 8	Fitting Thread Size: 1"-14	Fitting Service Port Size: 1/4"	2614082
Hose Size: No. 10	Fitting Thread Size: 1"-14	R134a Port: 13mm	2614083

Female Tube-O Fittings - Standard Barrier

Straight Female Tube-O Fitting (Standard Barrier)



Hose Size: No. 8	Fitting Thread Size: 1"-14	2614075
------------------	----------------------------	----------------

Straight Female Tube-O with 16mm R-134a Service Port Fitting (Standard Barrier)



Hose Size: No. 8	Fitting Thread Size: 1"-14	2614076
------------------	----------------------------	----------------

Straight Female Tube-O with 13mm R-134a Service Port Fitting (Standard Barrier)



Hose Size: No. 10	Fitting Thread Size: 1"-14	2614077
Hose Size: No. 12	Fitting Thread Size: 1"-14	2614078

Female Tube-O Fittings - Standard Barrier (cont'd)

Female 45 Degree Tube-O with 16mm R-134a Service Port Fitting (Standard Barrier)



Hose Size: No. 8	Fitting Thread Size: 1"-14	2614079
------------------	----------------------------	----------------

Female 90 Degree Tube-O with 16mm R-134a Service Port Fitting (Standard Barrier)



Hose Size: No. 8	Fitting Thread Size: 1"-14	2614080
------------------	----------------------------	----------------

Female 90 Degree Tube-O with Service Port No. 10 Fitting (Standard Barrier)



Hose Size: No. 10	Fitting Thread Size: 1"-14	2614081
-------------------	----------------------------	----------------

Female 90 Degree Tube-O No. 8 Fitting (Standard Barrier)



Hose Size: No. 8	Fitting Thread Size: 1"-14	2614084
------------------	----------------------------	----------------

Hose Size: No. 10	Fitting Thread Size: 1"-14	2614086
-------------------	----------------------------	----------------

Female 90 Degree Tube-O with 1/4" Service Port No. 8 Fitting (Standard Barrier)



Hose Size: No. 8	Fitting Thread Size: 1"-14	2614085
------------------	----------------------------	----------------

Hose Size: No. 10	Fitting Thread Size: 1"-14	2614087
-------------------	----------------------------	----------------

Hose Size: No. 12	Fitting Thread Size: 1"-14	2614088
-------------------	----------------------------	----------------

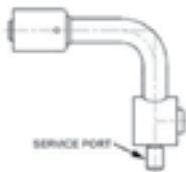
Female 90 Degree Tube-O with 13mm R-134a Service Port Fitting (Standard Barrier)



Hose Size: No. 12	Fitting Thread Size: 1"-14	2614089
-------------------	----------------------------	----------------

GM Compressor Pad Block Fittings - Standard Barrier

GM Compressor Pad Block 90 Degree with Service Port Fitting (Standard Barrier)



Hose Size: No. 10	R134a Port: 13mm	2614106
-------------------	------------------	----------------



ATCO Beadlock Fittings

Male Insert O-Ring Fittings - Standard Barrier

FITTINGS

Straight Male Insert O-Ring Fitting (Standard Barrier)



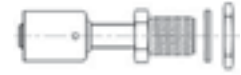
Fitting Size: No. 6	Fitting Thread Size: 5/8"-18	Hose Size: No. 6	2611301
Fitting Size: No. 8	Fitting Thread Size: 3/4"-16	Hose Size: No. 8	2611302
Fitting Size: No. 10	Fitting Thread Size: 7/8"-14	Hose Size: No. 10	2611303
Fitting Size: No. 12	Fitting Thread Size: 1 1/16"-14	Hose Size: No. 12	2611304

Straight Male Insert O-Ring Fitting (Standard Barrier, Step Up)



Fitting Size: No. 10	Fitting Thread Size: 7/8"-14	Hose Size: No. 12	2614068
----------------------	------------------------------	-------------------	----------------

Straight Male Insert O-Ring Fitting (Standard Barrier)



Fitting Size: No. 6	Fitting Thread Size: 5/8"-18	Hose Size: No. 6	2614063
Fitting Size: No. 8	Fitting Thread Size: 3/4"-16	Hose Size: No. 8	2614064
Fitting Size: No. 10	Fitting Thread Size: 7/8"-14	Hose Size: No. 10	2614065

Male 45 Degree Insert O-Ring Fitting (Standard Barrier)



Fitting Size: No. 6	Fitting Thread Size: 5/8"-18	Hose Size: No. 6	2611351
Fitting Size: No. 8	Fitting Thread Size: 3/4"-16	Hose Size: No. 8	2611352
Fitting Size: No. 10	Fitting Thread Size: 7/8"-14	Hose Size: No. 10	2611353
Fitting Size: No. 12	Fitting Thread Size: 1 1/16"-14	Hose Size: No. 12	2614069

Male 90 Degree Insert O-Ring Bulkhead Fitting (Standard Barrier)



Fitting Size: No. 6	Fitting Thread Size: 5/8"-18	Hose Size: No. 6	2613891
Fitting Size: No. 8	Fitting Thread Size: 3/4"-16	Hose Size: No. 8	2613892
Fitting Size: No. 10	Fitting Thread Size: 7/8"-14	Hose Size: No. 10	2614023

Male 90 Degree Insert O-Ring Fitting (Standard Barrier)



Fitting Size: No. 6	Fitting Thread Size: 5/8"-18	Hose Size: No. 6	2611391
Fitting Size: No. 8	Fitting Thread Size: 3/4"-16	Hose Size: No. 8	2611392
Fitting Size: No. 10	Fitting Thread Size: 7/8"-14	Hose Size: No. 10	2611393
Fitting Size: No. 12	Fitting Thread Size: 1 1/16"-14	Hose Size: No. 12	2614070

Male O-Ring Fittings - Standard Barrier

Straight Male O-Ring Special Dryer Connection Fitting (Standard Barrier)



Fitting Size: No. 7	Fitting Thread Size: 11/16"-16	Hose Size: No. 6	2611205
------------------------	-----------------------------------	---------------------	----------------

Straight Male O-Ring Fitting (Standard Barrier)



Fitting Size: No. 6	Fitting Thread Size: 5/8"-18	Hose Size: No. 6	2611201
Fitting Size: No. 8	Fitting Thread Size: 3/4"-16	Hose Size: No. 8	2611202
Fitting Size: No. 10	Fitting Thread Size: 7/8"-18	Hose Size: No. 10	2611203
Fitting Size: No. 12	Fitting Thread Size: 1 1/16"-16	Hose Size: No. 12	2611204

Straight Male O-Ring Fitting (Standard Barrier, Step Up)



Fitting Size: No. 6	Fitting Thread Size: 5/8"-18	Hose Size: No. 8	2611206
Fitting Size: No. 10	Fitting Thread Size: 7/8"-18	Hose Size: No. 12	2611208

Straight Male O-Ring Fitting (Standard Barrier, Step Down)



Fitting Size: No. 8	Fitting Thread Size: 3/4"-18	Hose Size: No. 6	2611207
------------------------	---------------------------------	---------------------	----------------

Straight Male O-Ring M10 Switch Port and 16mm R-134a Port Fitting (Standard Barrier)



Fitting Size: No. 10	Fitting Thread Size: 7/8"-18	Hose Size: No. 10	2611506
-------------------------	---------------------------------	----------------------	----------------

Straight Male O-Ring M10 Switch Port and 16mm R-134a Port Fitting (Standard Barrier, Step Up)



Fitting Size: No. 10	Fitting Thread Size: 7/8"-18	Hose Size: No. 12	2611507
-------------------------	---------------------------------	----------------------	----------------

Straight Male O-Ring 16mm R-134a Port Fitting (Standard Barrier)



Fitting Size: No. 6	Fitting Thread Size: 5/16"	Hose Size: No. 6	2611501
Fitting Size: No. 8	Fitting Thread Size: 13/32"	Hose Size: No. 8	2611502

Straight Male O-Ring 13mm R-134a Port Fitting (Standard Barrier)



Fitting Size: No. 6	Fitting Thread Size: 5/8"-18	Hose Size: No. 6	2614066
Fitting Size: No. 8	Fitting Thread Size: 3/4"-16	Hose Size: No. 8	2614067
Fitting Size: No. 10	Fitting Thread Size: 1/2"	Hose Size: No. 10	2611503
Fitting Size: No. 12	Fitting Thread Size: 5/8"	Hose Size: No. 12	2611504

Straight Male O-Ring 13mm R-134a Port Fitting (Standard Barrier, Step Up)



Fitting Size: No. 10	Fitting Thread Size: 7/8"-14	Hose Size: No. 12	2614059
-------------------------	---------------------------------	----------------------	----------------



ATCO Beadlock Fittings

Male O-Ring Fittings - Standard Barrier (cont'd)

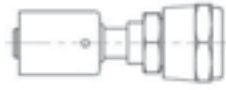
FITTINGS

Straight Male O-Ring 13mm R-134a Port Fitting (Standard Barrier, Step Down)



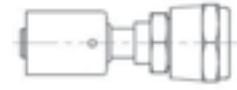
Fitting Size: No. 12	Fitting Thread Size: 1 1/16"-16	Hose Size: No. 10	2614060
-------------------------	---------------------------------------	----------------------	----------------

Straight One Shot Fitting (Standard Barrier)



Fitting Size: No. 6	Fitting Thread Size: 1/2"-20	Hose Size: No. 6	2614072
------------------------	------------------------------------	---------------------	----------------

Straight One Shot Fitting (Standard Barrier, Step Down)



Fitting Size: No. 12	Fitting Thread Size: 1 3/16"-12	Hose Size: No. 10	2614071
-------------------------	---------------------------------------	----------------------	----------------

Straight One Shot with Sight Glass Fitting (Standard Barrier)



Fitting Size: No. 6	Fitting Thread Size: 1/2"-20	Hose Size: No. 6	2614073
------------------------	------------------------------------	---------------------	----------------

Straight Male O-Ring Fitting Assembly with Service Port (Standard Barrier)



Fitting Size: No. 10	2614245
----------------------	----------------

Male 45 Degree O-Ring Fitting (Standard Barrier)



Fitting Size: No. 6	Fitting Thread Size: 5/8"-18	Hose Size: No. 6	2611151
Fitting Size: No. 8	Fitting Thread Size: 3/4"-16	Hose Size: No. 8	2611152
Fitting Size: No. 10	Fitting Thread Size: 7/8"-18	Hose Size: No. 10	2611153
Fitting Size: No. 12	Fitting Thread Size: 1 1/16"-16	Hose Size: No. 12	2611154

Male 45 Degree O-Ring Fitting (Standard Barrier, Step Up)



Fitting Size: No. 6	Fitting Thread Size: 5/8"-18	Hose Size: No. 8	2614061
Fitting Size: No. 10	Fitting Thread Size: 7/8"-18	Hose Size: No. 12	2611156

Male 45 Degree O-Ring 16mm Port Fitting (Standard Barrier)












Fitting Size: No. 6	Fitting Thread Size: 5/8"-18	Hose Size: No. 6	2611551
Fitting Size: No. 8	Fitting Thread Size: 3/4"-16	Hose Size: No. 8	2611552

Male 45 Degree O-Ring 13mm Port Fitting (Standard Barrier)



Fitting Size: No. 10	Fitting Thread Size: 7/8"-14	Hose Size: No. 10	2611553
Fitting Size: No. 12	Fitting Thread Size: 1 1/16"-14	Hose Size: No. 12	2611554

Male O-Ring Fittings - Standard Barrier (cont'd)

Male 45 Degree O-Ring M12 Port Fitting (Standard Barrier, Step Up) 				Male 90 Degree O-Ring Special Dryer Connection Fitting (Standard Barrier) 				Male 90 Degree O-Ring Fitting (Standard Barrier) 			
Fitting Size: No. 10	Fitting Thread Size: 7/8"-18	Hose Size: No. 12	2611556	Fitting Size: No. 7	Fitting Thread Size: 11/16"-16	Hose Size: No. 6	2611295	Fitting Size: No. 6	Fitting Thread Size: 5/8"-18	Hose Size: No. 6	2611191
								Fitting Size: No. 8	Fitting Thread Size: 3/4"-16	Hose Size: No. 8	2611192
								Fitting Size: No. 10	Fitting Thread Size: 7/8"-18	Hose Size: No. 10	2611193
								Fitting Size: No. 12	Fitting Thread Size: 1 1/16"-16	Hose Size: No. 12	2611194
Male 90 Degree O-Ring Fitting (Standard Barrier, Step Up) 				Male 90 Degree O-Ring Fitting (Standard Barrier, Step Down) 				Male 90 Degree O-Ring 16mm Port Fitting (Standard Barrier) 			
Fitting Size: No. 6	Fitting Thread Size: 5/8"-18	Hose Size: No. 8	2611196	Fitting Size: No. 8	Fitting Thread Size: 3/4"-18	Hose Size: No. 6	2611197	Fitting Size: No. 6	Fitting Thread Size: 5/16"	Hose Size: No. 6	2611591
Fitting Size: No. 10	Fitting Thread Size: 7/8"-18	Hose Size: No. 12	2611198	Fitting Size: No. 12	Fitting Thread Size: 1 1/16"-16	Hose Size: No. 10	2614062	Fitting Size: No. 8	Fitting Thread Size: 13/32"	Hose Size: No. 8	2611592
Male 90 Degree O-Ring 13mm Port Fitting, Standard Barrier 				90 Degree O-Ring M10 Port Fitting (Standard Barrier) 				90 Degree O-Ring M10 Port Fitting (Standard Barrier, Step Up) 			
Fitting Size: No. 10	Fitting Thread Size: 1/2"	Hose Size: No. 10	2611593	Fitting Size: No. 10	Fitting Thread Size: 7/8"-18	Hose Size: No. 10	2611598	Fitting Size: No. 6	Fitting Thread Size: 7/8"-18	Hose Size: No. 10	2611596
Fitting Size: No. 10	Fitting Thread Size: 7/8"-18	Hose Size: No. 12	2614243					Fitting Size: No. 6	Fitting Thread Size: 7/8"-18	Hose Size: No. 8	2614011
Fitting Size: No. 12	Fitting Thread Size: 5/8"	Hose Size: No. 12	2611594								



ATCO Beadlock Fittings

Male O-Ring Fittings - Standard Barrier (cont'd)

Male 90 Degree O-Ring with M12 Metric Port Fitting (Standard Barrier, Step Up)



Fitting Size: No. 10	Fitting Thread Size: 7/8"-18	Hose Size: No. 12	2611597
----------------------	------------------------------	-------------------	----------------

Male O-Ring Return Bend Fitting (Standard Barrier)



Fitting Size: No. 6	Fitting Thread Size: 5/8"-18	Hose Size: No. 6	2611281
---------------------	------------------------------	------------------	----------------

FITTINGS

Splicer Fittings - Standard Barrier

Straight Splicer Fitting (Standard Barrier)



Fitting Size: No. 6	Hose Size: No. 6	2610777
Fitting Size: No. 6	Hose Size: No. 8	2614015
Fitting Size: No. 8	Hose Size: No. 8	2610778
Fitting Size: No. 8	Hose Size: No. 10	2614111
Fitting Size: No. 10	Hose Size: No. 10	2610779
Fitting Size: No. 10	Hose Size: No. 12	2614112
Fitting Size: No. 12	Hose Size: No. 12	2610780

Straight Splicer with Sight Glass Fitting (Standard Barrier)



Fitting Size: No. 6	Fitting Thread Size: 6-6	Hose Size: No. 6	2614115
---------------------	--------------------------	------------------	----------------

Straight Splicer with 16mm R-134a Port Fitting (Standard Barrier)



Fitting Size: No. 6	Hose Size: No. 6	2610901
Fitting Size: No. 8	Hose Size: No. 8	2610902

Straight Splicer with 13mm R-134a Port Fitting (Standard Barrier)



Fitting Size: No. 10	Hose Size: No. 10	2610903
Fitting Size: No. 12	Hose Size: No. 12	2610904

Straight Splicer with 1/4" Service Port Fitting (Standard Barrier)



Fitting Size: No. 6	Hose Size: No. 6	2614107
Fitting Size: No. 8	Hose Size: No. 8	2614108
Fitting Size: No. 10	Hose Size: No. 10	2614109
Fitting Size: No. 12	Hose Size: No. 12	2614110

90 Degree Splicer Fitting (Standard Barrier)



Fitting Size: No. 6	Hose Size: No. 6	2614113
Fitting Size: No. 8	Hose Size: No. 8	2614114
Fitting Size: No. 10	Hose Size: No. 10	2620793*

Splicer Fittings - Standard Barrier (cont'd)

T-Splicer Fitting (Standard Barrier)



Fitting Size: No. 6-No. 6-No. 6	Hose Size: No. 6	2610771
Fitting Size: No. 8-No. 8-No. 8	Hose Size: No. 8	2610772
Fitting Size: No. 10-No. 10-No. 10	Hose Size: No. 10	2610773
Fitting Size: 12-No. 12-No. 10	Hose Size: No. 12-No. 12-No. 10	2610776
Fitting Size: No. 12-No. 12-No. 12	Hose Size: No. 12	2610774

T-Splicer Fitting (Standard Barrier)



Fitting Size: No. 6	Hose Size: No. 6	2614116
Fitting Size: M20 x 1.5	Hose Size: No. 6	2614117
Fitting Size: M27 x 2.0	Hose Size: No. 10	2614118
Fitting Size: M27 x 2.0	Hose Size: No. 12	2614119

Straight Splicer M10 R-134a Port Fitting (Standard Barrier)



Fitting Size: No. 8	Hose Size: No. 8	2610905
---------------------	------------------	----------------

Weld-On Fittings - Standard Barrier

Straight Weld-On Fitting (Standard Barrier)



Fitting Size: No. 6	Fitting Thread Size: 3/8" Tube	Hose Size: No. 6	2614016
Fitting Size: No. 8	Fitting Thread Size: 1/2" Tube	Hose Size: No. 8	2614017
Fitting Size: No. 10	Fitting Thread Size: 5/8" Tube	Hose Size: No. 10	2614018
Fitting Size: No. 12	Fitting Thread Size: 3/4" Tube	Hose Size: No. 12	2614019

Straight Weld-On Fitting (Standard Barrier, Step Up)



Fitting Size: No. 10	Fitting Thread Size: 5/8" Tube	Hose Size: No. 12	2614020
----------------------	--------------------------------	-------------------	----------------

FITTINGS



ATCO Beadlock Fittings

Compression Fittings - Reduced Barrier

FITTINGS

Straight Compression Fitting (Reduced Barrier)



Fitting Size: No. 6	Fitting Thread Size: 3/8" Tube	Hose Size: No. 6	2614216
Fitting Size: No. 8	Fitting Thread Size: 1/2" Tube	Hose Size: No. 8	2614217
Fitting Size: No. 10	Fitting Thread Size: 5/8" Tube	Hose Size: No. 10	2614218

Straight Compression Fitting (Reduced Barrier, Step Up)



Fitting Size: No. 8	Fitting Thread Size: 1/2" Tube	Hose Size: No. 10	2614219
Fitting Size: No. 10	Fitting Thread Size: 5/8" Tube	Hose Size: No. 12	2614220

Female Flare Fittings - Reduced Barrier

Straight Female Flare Fitting (Reduced Barrier)



Fitting Size: No. 10	Fitting Thread Size: 7/8"-14	Hose Size: No. 12	2614128
-------------------------	------------------------------------	----------------------	----------------

Female O-Ring Fittings - Reduced Barrier



Fitting Size: No. 6	Fitting Thread Size: 5/8"-18	Hose Size: No. 6	2614129
Fitting Size: No. 8	Fitting Thread Size: 5/8"-18	Hose Size: No. 8	2614131
Fitting Size: No. 8	Fitting Thread Size: 3/4"-16	Hose Size: No. 8	2614134
Fitting Size: No. 10	Fitting Thread Size: 7/8"-14	Hose Size: No. 10	2614137
Fitting Size: No. 12	Fitting Thread Size: 1 1/16"-14	Hose Size: No. 12	2614140



Fitting Size: No. 6	Fitting Thread Size: 5/8"-18	Hose Size: No. 8	2614141
Fitting Size: No. 8	Fitting Thread Size: 3/4"-16	Hose Size: No. 10	2614142
Fitting Size: No. 10	Fitting Thread Size: 7/8"-14	Hose Size: No. 12	2614144
Fitting Size: No. 10	Fitting Thread Size: 7/8"-14	Hose Size: No. 14	2614136
Fitting Size: No. 12	Fitting Thread Size: 1 1/16"-14	Hose Size: No. 14	2614139



Fitting Size: No. 10	Fitting Thread Size: 7/8"-14	Hose Size: No. 8	2614145
Fitting Size: No. 12	Fitting Thread Size: 1 1/16"-14	Hose Size: No. 10	2614146



Fitting Size: M20	Fitting Thread Size: M20 x 1.5	Hose Size: No. 8	2614241
-------------------	--------------------------------	------------------	----------------



Fitting Size: No. 8	Fitting Thread Size: 3/4"-16	Hose Size: No. 8	2614132
---------------------	------------------------------	------------------	----------------



Fitting Size: No. 10	Fitting Thread Size: 7/8"-14	Hose Size: No. 10	2614135
Fitting Size: No. 12	Fitting Thread Size: 1 1/16"-14	Hose Size: No. 12	2614138

FITTINGS



ATCO Beadlock Fittings

Female O-Ring Fittings - Reduced Barrier (cont'd)

FITTINGS

Straight Female O-Ring with 13mm R-134a Port Fitting (Reduced Barrier, Step Up)



Fitting Size: No. 10	Fitting Thread Size: 7/8"-14	Hose Size: No. 12	2614143
-------------------------	------------------------------------	----------------------	----------------

Straight Female O-Ring with 16mm R-134a Port Fitting (Reduced Barrier)



Fitting Size: No. 6	Fitting Thread Size: 5/8"-18	Hose Size: No. 6	2614130
------------------------	------------------------------------	---------------------	----------------

Fitting Size: No. 8	Fitting Thread Size: 3/4"-16	Hose Size: No. 8	2614133
------------------------	------------------------------------	---------------------	----------------

Female 45 Degree O-Ring Fitting (Reduced Barrier)



Fitting Size: No. 6	Fitting Thread Size: 5/8"-18	Hose Size: No. 6	2614148
------------------------	------------------------------------	---------------------	----------------

Fitting Size: No. 8	Fitting Thread Size: 3/4"-16	Hose Size: No. 8	2614150
------------------------	------------------------------------	---------------------	----------------

Fitting Size: No. 10	Fitting Thread Size: 7/8"-14	Hose Size: No. 10	2614151
-------------------------	------------------------------------	----------------------	----------------

Fitting Size: No. 12	Fitting Thread Size: 1 1/16"-14	Hose Size: No. 12	2614153
-------------------------	---------------------------------------	----------------------	----------------

Female 45 Degree O-Ring Fitting (Reduced Barrier, Step Up)



Fitting Size: No. 6	Fitting Thread Size: 5/8"-18	Hose Size: No. 8	2614154
------------------------	------------------------------------	---------------------	----------------

Fitting Size: No. 8	Fitting Thread Size: 3/4"-16	Hose Size: No. 10	2614155
------------------------	------------------------------------	----------------------	----------------

Fitting Size: No. 10	Fitting Thread Size: 7/8"-14	Hose Size: No. 12	2614156
-------------------------	------------------------------------	----------------------	----------------

Female 45 Degree O-Ring Fitting (Reduced Barrier, Step Down)



Fitting Size: No. 8	Fitting Thread Size: 3/4"-16	Hose Size: No. 6	2614158
------------------------	------------------------------------	---------------------	----------------

Female 45 Degree O-Ring with 16mm R-134a Port Fitting (Reduced Barrier)



Fitting Size: No. 6	Fitting Thread Size: 5/8"-18	Hose Size: No. 6	2614147
------------------------	------------------------------------	---------------------	----------------

Fitting Size: No. 8	Fitting Thread Size: 3/4"-16	Hose Size: No. 8	2614149
------------------------	------------------------------------	---------------------	----------------

Female 45 Degree O-Ring with 13mm R-134a Port Fitting (Reduced Barrier)



Fitting Size: No. 10	Fitting Thread Size: 7/8"-14	Hose Size: No. 10	2614152
-------------------------	------------------------------------	----------------------	----------------

Female 45 Degree O-Ring with 13mm R-134a Port Fitting (Reduced Barrier, Step Up)



Fitting Size: No. 10	Fitting Thread Size: 7/8"-14	Hose Size: No. 12	2614157
-------------------------	------------------------------------	----------------------	----------------

Female 45 Degree O-Ring Metric Thread Fitting (Reduced Barrier)



Fitting Size: M27	Fitting Thread Size: M27 x 2.0	Hose Size: No. 12	2614242
----------------------	--------------------------------------	----------------------	----------------

Female O-Ring Fittings - Reduced Barrier (cont'd)



Fitting Size: No. 6	Fitting Thread Size: 5/8"-18	Hose Size: No. 6	2614159
Fitting Size: No. 8	Fitting Thread Size: 3/4"-16	Hose Size: No. 8	2614161
Fitting Size: No. 10	Fitting Thread Size: 7/8"-14	Hose Size: No. 10	2614164
Fitting Size: No. 12	Fitting Thread Size: 1 1/16"-14	Hose Size: No. 12	2614168



Fitting Size: No. 6	Fitting Thread Size: 5/8"-18	Hose Size: No. 8	2614171
Fitting Size: No. 8	Fitting Thread Size: 3/4"-16	Hose Size: No.10	2614172
Fitting Size: No. 10	Fitting Thread Size: 7/8"-14	Hose Size: No. 12	2614173
Fitting Size: No. 10	Fitting Thread Size: 7/8"-14	Hose Size: No. 14	2614166
Fitting Size: No. 12	Fitting Thread Size: 1 1/16"-14	Hose Size: No. 14	2614170



Fitting Size: No. 8	Fitting Thread Size: 3/4"-16	Hose Size: No. 6	2614175
Fitting Size: No. 10	Fitting Thread Size: 7/8"-14	Hose Size: No. 8	2614058
Fitting Size: No. 12	Fitting Thread Size: 1 1/16"-14	Hose Size: No. 10	2614176



Fitting Size: No. 10	Fitting Thread Size: 7/8"-14	Hose Size: No. 10	2614165
Fitting Size: No. 12	Fitting Thread Size: 1 1/16"-14	Hose Size: No. 12	2614169



Fitting Size: No. 10	Fitting Thread Size: 7/8"-14	Hose Size: No. 12	2614174
-------------------------	------------------------------------	----------------------	----------------



Fitting Size: No. 6	Fitting Thread Size: 5/8"-18	Hose Size: No. 6	2614160
Fitting Size: No. 8	Fitting Thread Size: 3/4"-16	Hose Size: No. 8	2614162



Fitting Size: No. 8	Fitting Thread Size: 3/4"-16	Hose Size: No. 8	2614163
Fitting Size: No. 10	Fitting Thread Size: 7/8"-14	Hose Size: No. 10	2614167



Fitting Size: No. 6	Fitting Thread Size: 5/8"-18	Hose Size: No. 6	2614211
Fitting Size: No. 10	Fitting Thread Size: 7/8"-14	Hose Size: No. 10	2614212

FITTINGS



ATCO Beadlock Fittings

Female Tube-O Fittings - Reduced Barrier

Female 90 Degree Tube-O with 13mm R-134a Service Port Fitting (Reduced Barrier)



Hose Size: No. 10	Fitting Thread Size: 1"-14	2614214
Hose Size: No. 12	Fitting Thread Size: 1"-14	2614215

Female 90 Degree Tube-O with 16mm R-134a Service Port Fitting (Reduced Barrier)



Hose Size: No. 8	Fitting Thread Size: 1"-14	2614213
------------------	----------------------------	----------------

FITTINGS

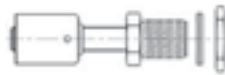
Male Insert O-Ring Fittings - Reduced Barrier

Straight Male Insert O-Ring Fitting (Reduced Barrier)



Fitting Size: No. 6	Fitting Thread Size: 5/8"-18	Hose Size: No. 6	2614203
Fitting Size: No. 8	Fitting Thread Size: 3/4"-16	Hose Size: No. 8	2614204
Fitting Size: No. 10	Fitting Thread Size: 7/8"-14	Hose Size: No. 10	2614205

Straight Male Insert O-Ring Fitting (Reduced Barrier)



Fitting Size: No. 6	Fitting Thread Size: 5/8"-18	Hose Size: No. 6	2614197
Fitting Size: No. 8	Fitting Thread Size: 3/4"-16	Hose Size: No. 8	2614198
Fitting Size: No. 10	Fitting Thread Size: 7/8"-14	Hose Size: No.10	2614199
Fitting Size: No. 12	Fitting Thread Size: 1 1/16"-14	Hose Size: No. 12	2614206

Male 45 Degree Insert O-Ring Fitting (Reduced Barrier)



Fitting Size: No. 6	Fitting Thread Size: 5/8"-18	Hose Size: No. 6	2614207
Fitting Size: No. 8	Fitting Thread Size: 3/4"-16	Hose Size: No. 8	2614208
Fitting Size: No. 10	Fitting Thread Size: 7/8"-14	Hose Size: No. 10	2614209
Fitting Size: No. 12	Fitting Thread Size: 1 1/16"-14	Hose Size: No. 12	2614210

Male 90 Degree Insert O-Ring Bulkhead Fitting (Reduced Barrier)



Fitting Size: No. 6	Fitting Thread Size: 5/8"-18	Hose Size: No. 6	2614200
Fitting Size: No. 8	Fitting Thread Size: 3/4"-16	Hose Size: No. 8	2614201
Fitting Size: No. 10	Fitting Thread Size: 7/8"-14	Hose Size: No. 10	2614202


Male O-Ring Fittings - Reduced Barrier

Straight Male O-Ring Fitting (Reduced Barrier)




Fitting Size: No. 6	Fitting Thread Size: 5/8"-18	Hose Size: No. 6	2614177
Fitting Size: No. 8	Fitting Thread Size: 3/4"-16	Hose Size: No. 8	2614178
Fitting Size: No. 10	Fitting Thread Size: 7/8"-14	Hose Size: No. 10	2614179
Fitting Size: No. 12	Fitting Thread Size: 1 1/16"-14	Hose Size: No. 12	2614180

Straight Male O-Ring Fitting (Reduced Barrier, Step Up)



Fitting Size: No. 6	Fitting Thread Size: 5/8"-18	Hose Size: No. 8	2614181
Fitting Size: No. 8	Fitting Thread Size: 3/4"-16	Hose Size: No. 10	2614182
Fitting Size: No. 10	Fitting Thread Size: 7/8"-14	Hose Size: No. 12	2614183

Male 45 Degree O-Ring Fitting (Reduced Barrier)



Fitting Size: No. 6	Fitting Thread Size: 5/8"-18	Hose Size: No. 6	2614184
Fitting Size: No. 8	Fitting Thread Size: 3/4"-16	Hose Size: No. 8	2614185
Fitting Size: No. 10	Fitting Thread Size: 7/8"-14	Hose Size: No. 10	2614186
Fitting Size: No. 12	Fitting Thread Size: 1 1/16"-14	Hose Size: No. 12	2614187

Male 45 Degree O-Ring Fitting (Reduced Barrier, Step Up)



Fitting Size: No. 6	Fitting Thread Size: 5/8"-18	Hose Size: No. 8	2614188
Fitting Size: No. 10	Fitting Thread Size: 7/8"-14	Hose Size: No. 12	2614189

Male 90 Degree O-Ring Fitting (Reduced Barrier)



Fitting Size: No. 6	Fitting Thread Size: 5/8"-18	Hose Size: No. 6	2614190
Fitting Size: No. 8	Fitting Thread Size: 3/4"-16	Hose Size: No. 8	2614191
Fitting Size: No. 10	Fitting Thread Size: 7/8"-14	Hose Size: No. 10	2614192

Male 90 Degree O-Ring Fitting (Reduced Barrier, Step Up)



Fitting Size: No. 6	Fitting Thread Size: 5/8"-18	Hose Size: No. 8	2614194
Fitting Size: No. 10	Fitting Thread Size: 7/8"-14	Hose Size: No. 12	2614195

Male 90 Degree O-Ring Fitting (Reduced Barrier, Step Down)



Fitting Size: No. 12	Fitting Thread Size: 1 1/16"-14	Hose Size: No. 10	2614196
----------------------	---------------------------------	-------------------	----------------

Male 90 Degree O-Ring 13mm Port Fitting, Reduced Barrier



Fitting Size: No. 10	Fitting Thread Size: 7/8"-18	Hose Size: No. 10	2614193
----------------------	------------------------------	-------------------	----------------



ATCO Beadlock Fittings

Splicer Fittings - Reduced Barrier

FITTINGS

Straight Splicer Fitting (Reduced Barrier)



Fitting Size: No. 6	Hose Size: No. 6	2614221
Fitting Size: No. 6	Hose Size: No. 8	2614231
Fitting Size: No. 8	Hose Size: No. 8	2614223
Fitting Size: No. 8	Hose Size: No. 10	2614232
Fitting Size: No. 10	Hose Size: No. 10	2614225
Fitting Size: No. 10	Hose Size: No. 12	2614233
Fitting Size: No. 12	Hose Size: No. 12	2614229

Straight Splicer with 16mm R-134a Port Fitting (Reduced Barrier)



Fitting Size: No. 6	Hose Size: No. 6	2614222
Fitting Size: No. 8	Hose Size: No. 8	2614224
Fitting Size: No. 10	Hose Size: No. 10	2614228

Straight Splicer with 13mm R-134a Port Fitting (Reduced Barrier)



Fitting Size: No. 10	Hose Size: No. 10	2614227
Fitting Size: No. 12	Hose Size: No. 12	2614230
Fitting Size: No. 14	Hose Size: No. 14	2614234

Straight Splicer with 1/4" Service Port Fitting (Reduced Barrier)



Fitting Size: No. 10	Hose Size: No. 10	2614226
----------------------	-------------------	----------------

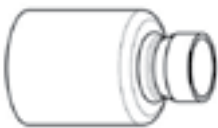
T-Splicer Fitting (Reduced Barrier)



Fitting Size: No. 10-No. 10-No. 10	Hose Size: No. 10	2614235
------------------------------------	-------------------	----------------

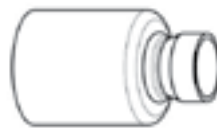
Weld-On Fittings - Reduced Barrier

Straight Weld-On Fitting (Reduced Barrier)



Fitting Size: No. 6	Fitting Thread Size: 3/8" Tube	Hose Size: No. 6	2614236
Fitting Size: No. 8	Fitting Thread Size: 1/2" Tube	Hose Size: No. 8	2614237
Fitting Size: No. 10	Fitting Thread Size: 5/8" Tube	Hose Size: No. 10	2614238
Fitting Size: No. 12	Fitting Thread Size: 3/4" Tube	Hose Size: No. 12	2614239

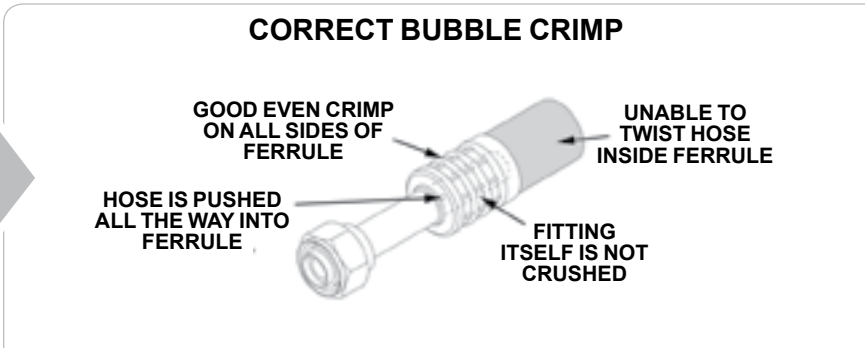
Straight Weld-On Fitting (Reduced Barrier, Step Up)



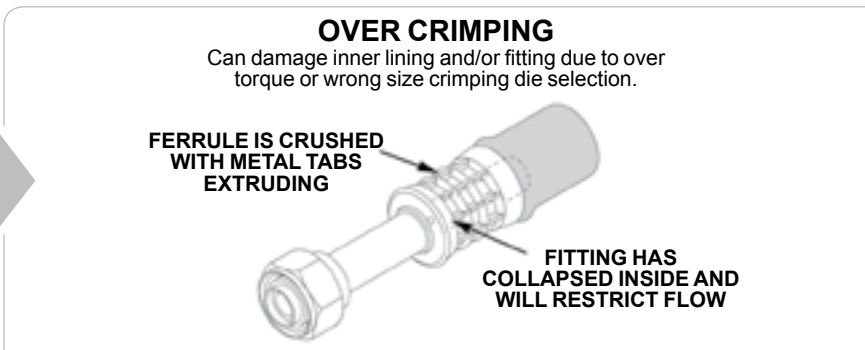
Fitting Size: No. 10	Fitting Thread Size: 5/8" Tube	Hose Size: No. 12	2614240
----------------------	--------------------------------	-------------------	----------------



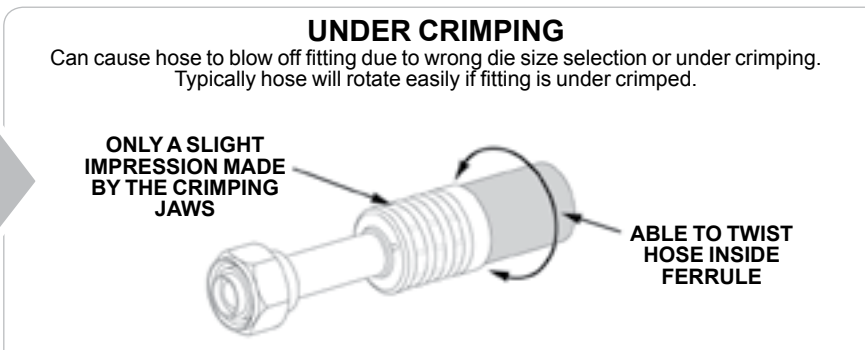
**CORRECT
BUBBLE
CRIMP**



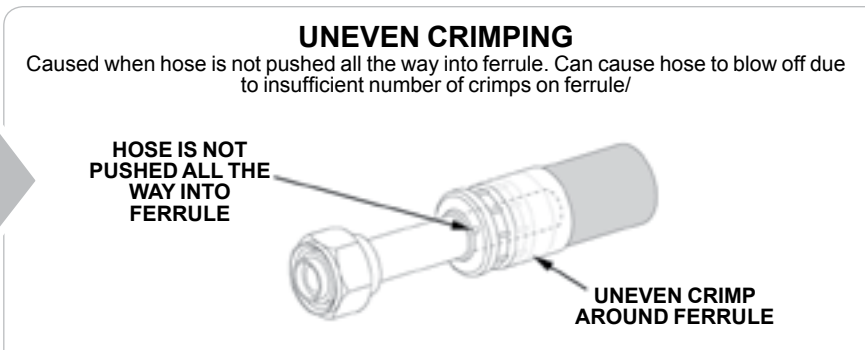
**INCORRECT
BUBBLE
CRIMP**



**INCORRECT
BUBBLE
CRIMP**



**INCORRECT
BUBBLE
CRIMP**



Hose Crimping Procedures

CRIMPING PROCEDURES FOR TYPICAL MOBILE REFRIGERATION HOSE:

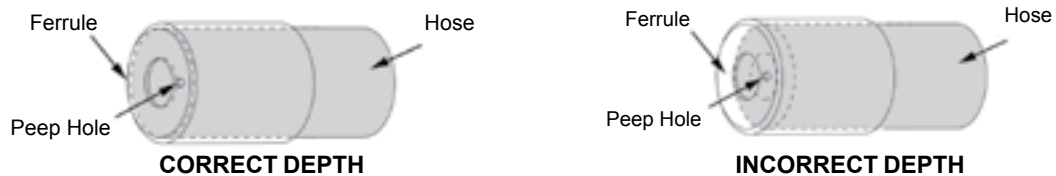
- STEP 1** Determine hose size needed. (See “Beadlock Fitting Identification”, “Goodyear (Galaxy) Hoses” on page 484.)
- STEP 2** Determine hose fitting size and type needed.



- STEP 3** Make certain that the end of hose to be crimped is cut evenly.

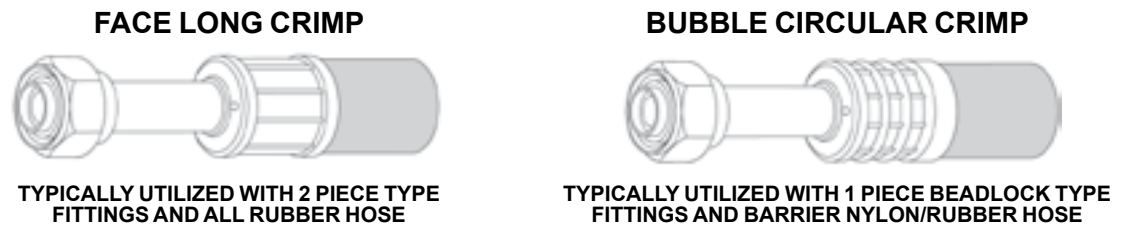


- STEP 4** Push hose ALL the way into ferrule until hose is flush with peephole at the end of the ferrule.



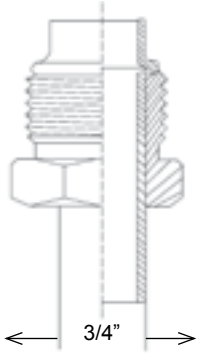
NOTE: It may be necessary to lubricate the hose inside diameter and/or hose fitting barbs

- STEP 5** Determine correct crimping die size to match hose and fitting size. There are basically two types of crimp styles (see below).

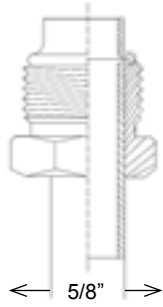


- STEP 6** Crimp hose/fitting based on specific crimping machine manufacturer’s recommendations. Reference the following illustrations for some common examples of correct and incorrect crimping.

Male O-Ring



No. 12
1 1/16"-16 Thread



No. 10
7/8"-18 Thread



No. 8
3/4"-18 Thread



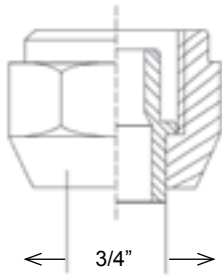
No. 6
5/8"-18 Thread

SPECIAL GM
DRIER FITTING

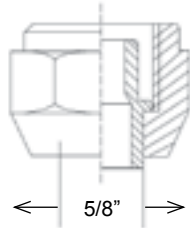


No. 6
11/16"-16 Thread

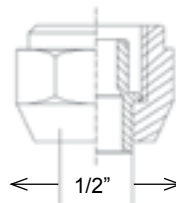
Female O-Ring



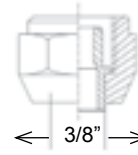
No. 12
1 1/16"-14 Thread



No. 10
7/8"-14 Thread

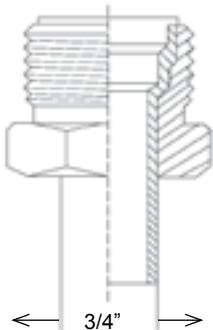


No. 8
3/4"-16 Thread

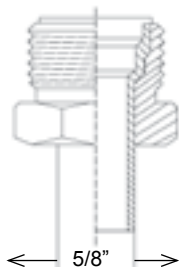


No. 6
5/8"-18 Thread

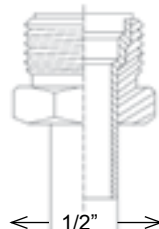
Male Insert O-Ring



No. 12
1 1/16"-14 Thread



No. 10
7/8"-14 Thread



No. 8
3/4"-16 Thread



No. 6
5/8"-18 Thread

O-Rings



No. 12



No. 10



No. 8

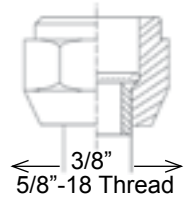
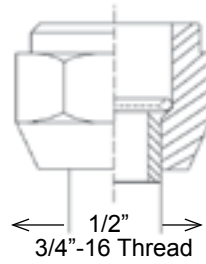
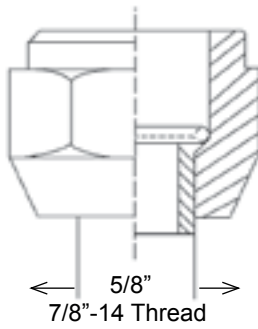
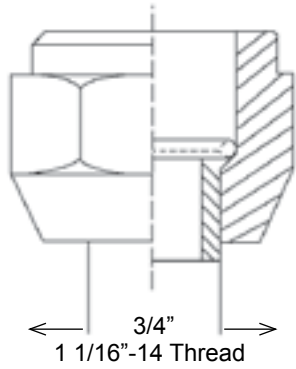


No. 6

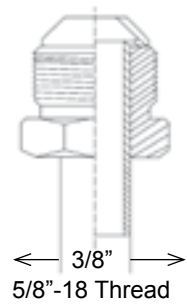
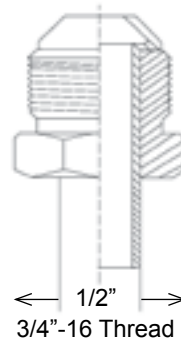
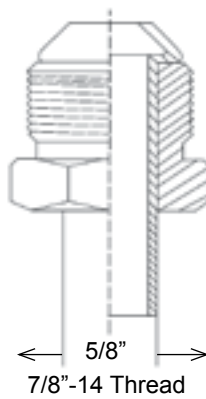
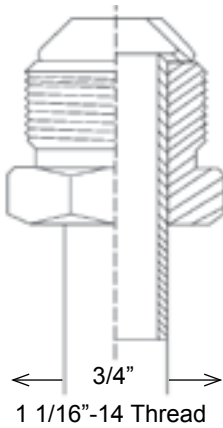


Beadlock Fitting Identification

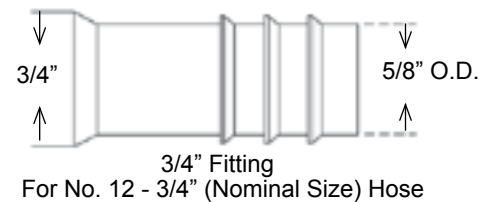
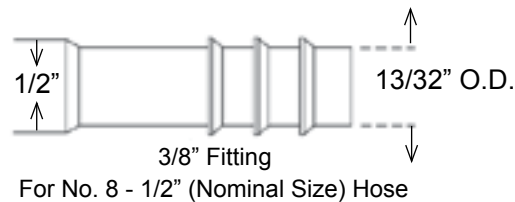
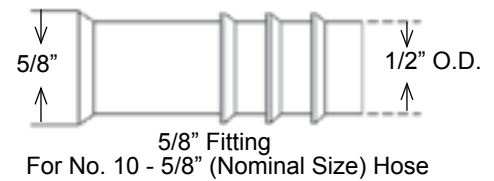
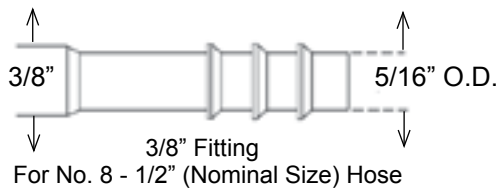
Female Flare



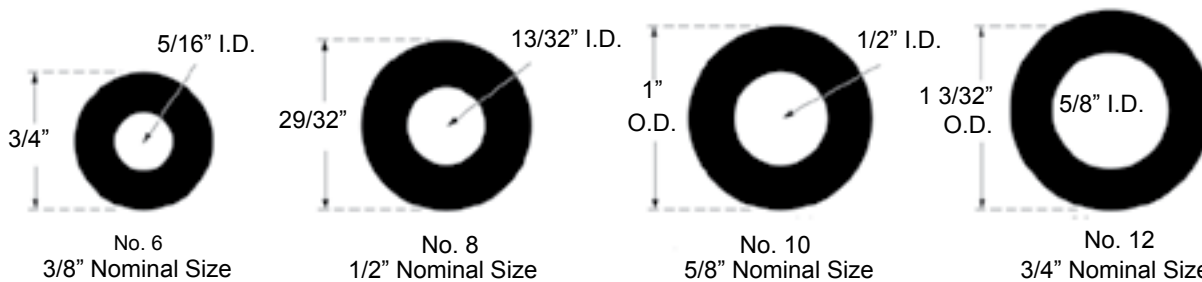
Male Flare



Hose End Sizes



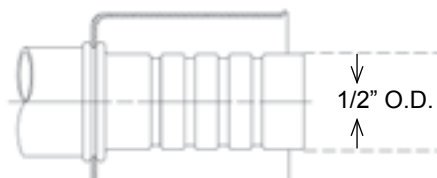
Refrigerant Hose Sizes



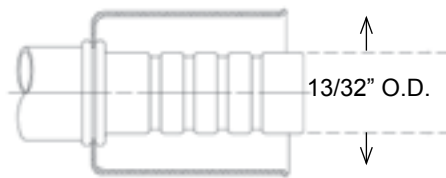
Beadlock



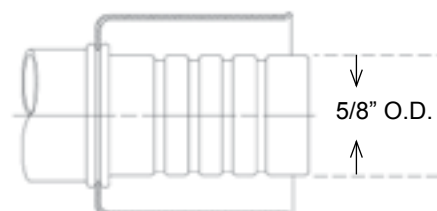
3/8" FITTING FOR NO. 6 HOSE



5/8" FITTING FOR NO. 10 HOSE



1/2" FITTING FOR NO. 8 HOSE



3/4" FITTING FOR NO. 12 HOSE

Torque Recommendations

FLARE CONNECTIONS		
Tube O.D.	Thread Size	Ft./Lb.
3/8"	5/8"	18-20
1/2"	3/4"	36-39
5/8"	7/8"	52-57
3/4"	1 1/16"	71-79

O-RING CONNECTIONS		
Tube O.D.	Thread Size	Ft./Lb.
3/8"	5/8"	11-13
1/2"	3/4"	15-20
5/8"	7/8"	21-27
3/4"	1 1/16"	28-33



Burgaflex Fittings

Goodyear (Galaxy) Hoses

• **This hose meets J2064 specification**

• **Easy Couplability**

Internal rubber layer makes coupling simple, assuring better assembly integrity while reducing the risk of refrigerant loss around the fittings.

• **Reduced Ozone Permeation**

Internal Nylon Barrier hose is specifically designed to reduce the permeation level of ozone depleting refrigerant and chemicals in heavy duty air conditioning systems.

• **Universal Compatibility**

Extensive testing has shown 4826 Barrier Hose to be compatible with R-12, R-134a and Ternary Blends.

- Low Volumetric Expansion
- Dimensionally Stable
- Flexible
- Easy to Route
- Reduction in Noise & Vibration
- J51 All Outside Diameters
- Tube: Polychloroprene Barrier
- Reinforcement: Synthetic Yarn
- Cover: EPDM

NOTE: For use with steel or aluminum Push-On or Beadlock (Bubble Crimp) type fittings only!

FITTINGS

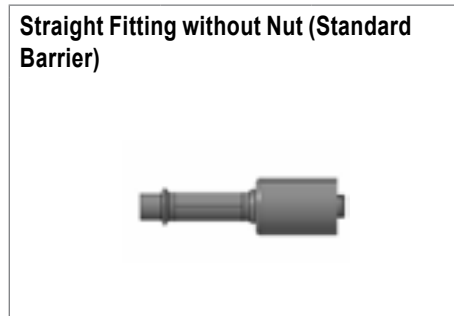


Hose Size:	Hose Inner Diameter:	Hose Outer Diameter:	Hose Length:	Part Number:
No. 6	5/16" (7.9mm)	3/4" (19.1mm)	50 feet	2610001
No. 8	13/32" (10.3mm)	29/32" (23mm)	50 feet	2610002
No. 10	1/2" (12.7mm)	1" (25.4mm)	50 feet	2610003
No. 12	5/8" (15.9mm)	1 1/8" (28.6mm)	50 feet	2610004
No. 6	5/16" (7.9mm)	3/4" (19.1mm)	825 feet	2610001-DS
No. 8	13/32" (10.3mm)	29/32" (23mm)	725 feet	2610002-DS
No. 10	1/2" (12.7mm)	1" (25.4mm)	700 feet	2610003-DS
No. 12	5/8" (15.9mm)	1 1/8" (28.6mm)	525 feet	2610004-DS

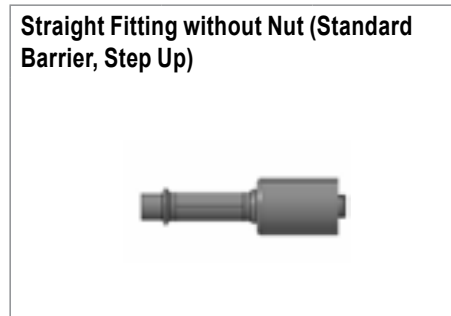


Hose Size:	Hose Inner Diameter:	Hose Outer Diameter:	Hose Length:	Part Number:
No. 6	5/16" (7.9mm)	9/16" (14.7mm)	50 feet	2600039
No. 8	13/32" (10.3mm)	11/16" (17.3mm)	50 feet	2600040
No. 10	1/2" (12.7mm)	3/4" (19.4mm)	50 feet	2600041
No. 12	5/8" (15.9mm)	15/16" (23.6mm)	50 feet	2600042
No. 6	5/16" (7.9mm)	9/16" (14.7mm)	825 feet	2600005
No. 8	13/32" (10.3mm)	11/16" (17.3mm)	725 feet	2600006
No. 10	1/2" (12.7mm)	3/4" (19.4mm)	600 feet	2600007
No. 12	5/8" (15.9mm)	15/16" (23.6mm)	425 feet	2600008

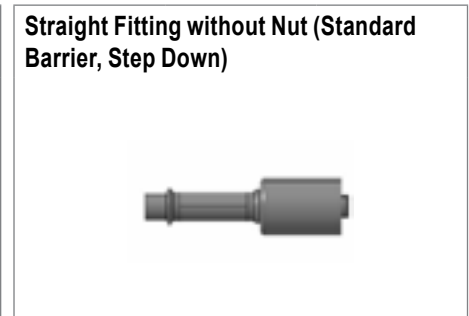
Burgaflex Fittings - Standard Barrier



Fitting Size: No 6	Hose Size: No. 6	2670001
Fitting Size: No. 8	Hose Size: No. 8	2670002
Fitting Size: No. 10	Hose Size: No. 10	2670003
Fitting Size: No. 12	Hose Size: No. 12	2670005



Fitting Size: No. 6	Hose Size: No. 8	2670055
---------------------	------------------	----------------



Fitting Size: No. 12	Hose Size: No. 10	2670004
----------------------	-------------------	----------------

Burgaflex Fittings - Standard Barrier (cont'd)

45 Degree Fitting without Nut (Standard Barrier)



Fitting Size: No 6	Hose Size: No. 6	2670006
Fitting Size: No. 8	Hose Size: No. 8	2670007
Fitting Size: No. 10	Hose Size: No. 10	2670008
Fitting Size: No. 12	Hose Size: No. 12	2670010

45 Degree Fitting without Nut (Standard Barrier, Step Down)



Fitting Size: No. 12	Hose Size: No. 10	2670009
----------------------	-------------------	----------------

90 Degree Fitting without Nut (Standard Barrier)



Fitting Size: No 6	Hose Size: No. 6	2670011
Fitting Size: No. 8	Hose Size: No. 8	2670012
Fitting Size: No. 10	Hose Size: No. 10	2670013
Fitting Size: No. 12	Hose Size: No. 12	2670015

90 Degree Fitting without Nut (Standard Barrier, Step Down)



Fitting Size: No. 12	Hose Size: No. 10	2670014
----------------------	-------------------	----------------

FITTINGS



Burgaflex Fittings - Reduced Barrier

Straight Fitting without Nut (Reduced Barrier)



Fitting Size: No 6	Hose Size: No. 6	2670016
Fitting Size: No. 8	Hose Size: No. 8	2670017
Fitting Size: No. 10	Hose Size: No. 10	2670018
Fitting Size: No. 12	Hose Size: No. 12	2670020

Straight Fitting without Nut (Reduced Barrier, Step Up)



Fitting Size: No. 6	Hose Size: No. 8	2670056
---------------------	------------------	----------------

Straight Fitting without Nut (Reduced Barrier, Step Down)



Fitting Size: No. 12	Hose Size: No. 10	2670019
----------------------	-------------------	----------------

Burgaflex Fittings

Burgaflex Fittings - Reduced Barrier (cont'd)

FITTINGS

45 Degree Fitting without Nut (Reduced Barrier)



Fitting Size: No 6	Hose Size: No. 6	2670021
Fitting Size: No. 8	Hose Size: No. 8	2670022
Fitting Size: No. 10	Hose Size: No. 10	2670023
Fitting Size: No. 12	Hose Size: No. 12	2670025

45 Degree Fitting without Nut (Reduced Barrier, Step Down)



Fitting Size: No. 12	Hose Size: No. 10	2670024
----------------------	-------------------	----------------

90 Degree Fitting without Nut (Reduced Barrier)



Fitting Size: No 6	Hose Size: No. 6	2670026
Fitting Size: No. 8	Hose Size: No. 8	2670027
Fitting Size: No. 10	Hose Size: No. 10	2670028
Fitting Size: No. 12	Hose Size: No. 12	2670030

90 Degree Fitting without Nut (Reduced Barrier, Step Down)



Fitting Size: No. 12	Hose Size: No. 10	2670029
----------------------	-------------------	----------------

Burgaflex Crimp Fittings - Reduced Barrier

Straight Fitting without Nut (Reduced Barrier)



Fitting Size: No. 6	Hose Size: No. 6	2670031
Fitting Size: No. 8	Hose Size: No. 8	2670032
Fitting Size: No. 10	Hose Size: No. 10	2670033
Fitting Size: No. 12	Hose Size: No. 12	2670035

Straight Fitting without Nut (Reduced Barrier, Step Down)



Fitting Size: No. 12	Hose Size: No. 10	2670034
----------------------	-------------------	----------------

45 Degree Fitting without Nut (Reduced Barrier)



Fitting Size: No 6	Hose Size: No. 6	2670036
Fitting Size: No. 8	Hose Size: No. 8	2670037
Fitting Size: No. 10	Hose Size: No. 10	2670038
Fitting Size: No. 12	Hose Size: No. 12	2670040

Burgaflex Crimp Fittings - Reduced Barrier (cont'd)

45 Degree Fitting without Nut (Reduced Barrier, Step Down)



Fitting Size: No. 12	Hose Size: No. 10	2670039
Fitting Size: No. 12	Hose Size: No. 12	2670040

90 Degree Fitting without Nut (Reduced Barrier)



Fitting Size: No 6	Hose Size: No. 6	2670041
Fitting Size: No. 8	Hose Size: No. 8	2670042
Fitting Size: No. 10	Hose Size: No. 10	2670043
Fitting Size: No. 12	Hose Size: No. 12	2670045

90 Degree Fitting without Nut (Reduced Barrier, Step Down)



Fitting Size: No. 12	Hose Size: No. 10	2670044
----------------------	-------------------	----------------

Burgaflex Accessories

Hose Clip (package quantity of 10)



Hose Size: No. 6	2670046
Hose Size: No. 8	2670047
Hose Size: No. 10	2670048
Hose Size: NO. 12	2670049

Hose Clip Retainer (package quantity of



Hose Size: No. 6	2670050
Hose Size: No. 8	2670051
Hose Size: No. 10	2670052
Hose Size: No. 12	2670053

Part No: 2670054

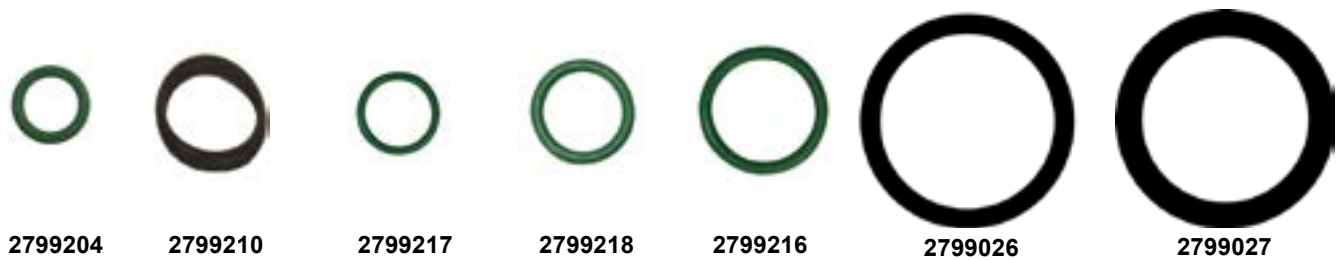
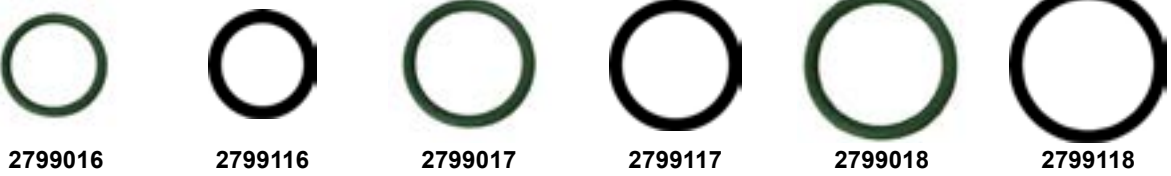


General Specifications: Hose Climp Crimp Tool



O-Rings

FITTINGS



NOTE: All O-Rings are shown actual size and packaged in quantities of 25



Slim line seal used in Freightliner applications
(Packaged in quantities of 10)

Part No	Description	OEM No.	Qty.
2712001	Slim Line No. 6	ABP N83 312076	10
2712002	Slim Line No. 8	ABP N83 312060	10
2712003	Slim Line No. 10	ABP N83 312092	10



Mini Stat seals used in Freightliner applications
(Packaged in quantities of 10)

Part No	Description	OEM No.	Color	Qty.
2712004	Mini Stat No. 6	ABP N83 312366	Red	10
2712005	Mini Stat No. 8	ABP N83 312368	Red	10
2712006	Mini Stat No. 10	ABP N83 312361	Red	10
2712007	Mini Stat No. 12	ABP N83 312372	Red	10

O-Ring Specifications*

Description/Applications	Part No	Material
GM Capillary Tube O-Ring	2799013	Black Neoprene
1/4" (7/16-20) Valve Cap O-Ring, 1/4" (7/16-20) Retro Fitting Adapter O-Ring, Diesel Kiki Compressor Model DKS16H Oil Plug O-Ring, GM Oil Tube & Filter Bolt O-Ring, GM VIR Condenser Line O-Ring, Nissan No. 8 Hose Fitting & Filter Dryer O-Ring, Nissan 8mm Switch, Liquid Line, STV Valve, Expansion Valve O-Ring	2799014	Black Neoprene
No. 6 Hose Filter Dryer O-Ring, Ford No. 6 Springlock & Tube Fitting O-Ring, Ford Combination Valve Schrader Port O-Ring, GM VIR Pickup Tube O-Ring, Nissan No. 10 Hose Fitting & Filter Dryer O-Ring, Nissan 10mm Filter Dryer, Condenser O-Ring, Ford Expansion Valve O-Ring, GM DA6 Discharge Crossover O-Ring, Mazda No. 6 Springlock Fitting O-Ring, Diesel Kiki BH DKS13G Oil Plug O-Ring, Min. Pressure Relief Valve O-Ring, Volvo No. 6 Hose Fitting O-Ring, Hyundai No. 6 Springlock O-Ring	2799015	Green HNBR
	2799105	Green HNBR
	2799115	Black Neoprene
No. 6 Compression Fitting O-Ring, Chrysler 6C17 Large Control Valve (Inner) O-Ring, York & Sanden Oil Plug O-Ring, GM Pressure Relief Valve O-Ring, Toyota Pressure Switch O-Ring, GM V5 Control Valve O-Ring, GM R-134a Two Piece 16mm Primary Seal O-Ring, Chrysler 6C17 Oil Plug & Pressure Relief Valve O-Ring, GM, Ford Pressure Cycling Switch O-Ring, Sanden Compressor 1/4" Service Port O-Ring, Mitsubishi FX105V Compressor Control Valve (Inner) O-Ring, GM In-Line Filter O-Ring, Volvo Cycling/Pressure Switch O-Ring	2799019	Black Neoprene
No. 8 Hose Fitting O-Ring, Ford No. 8 Tube Fitting & Non-metric Springlock O-Ring, Volvo No. 8 Hose Fitting O-Ring, Mazda No. 8 Springlock Fitting O-Ring, GM V5 Control Valve O-Ring, Nissan No. 12 Hose Fitting & Condenser Discharge Line O-Ring, Nissan 12mm STV Valve, Filter Dryer, Condenser, Hose Fitting O-Ring, GM VIR Inlet Fitting O-Ring, Toyota Discharge Line O-Ring, Aeroquip Two Piece 13mm R-134a Adapter O-Ring, Mazda O-Ring, Hyundai No. 8 Springlock O-Ring, Mitsubishi Hose Fitting O-Ring	2799016	Green HNBR
	2799116	Black Neoprene
No. 10 Hose Fitting O-Ring, Ford No. 10 Tube Fitting & Non-metric Springlock O-Ring, Nissan Evaporator Suction Fitting O-Ring, Nissan 16mm STV Valve, Evaporator, Hose Fitting O-Ring, Toyota Suction Line O-Ring, Volvo No. 10 Hose Fitting O-Ring, Mitsubishi Hose Fitting O-Ring, Nippondenso TV Manifold Port O-Ring, Nippondenso TV10/TV12C/TV14C Sensor Housing O-Ring, Mazda Hose Fitting O-Ring, York, Tecumseh Tube-O Valve O-Ring, Aeroquip Two Piece 16mm Adapter O-Ring	2799017	Green HNBR
	2799117	Black Neoprene
No. 12 Hose Fitting O-Ring, Ford No. 12 Tube Fitting & Non-metric Springlock O-Ring, VIR Expansion Valve Lower O-Ring, VIR Evaporator Fitting Outlet O-Ring, VIR Connection to Evaporator Suction Line O-Ring, GM V5 Control Valve O-Ring, Chrysler 6C17 Small Control Valve O-Ring, Volvo No. 12 Hose Fitting O-Ring, Nissan 19mm Evaporator Suction O-Ring	2799018	Green HNBR
	2799118	Black Neoprene
No. 6 GM Captive O-Ring, Ford Combination Valve Evaporator Manifold Bleed Line O-Ring, Ford Block Expansion Valve O-Ring	2799020	Black Neoprene
No. 8 GM Captive O-Ring, Chrysler 6C17 Large Control Outer O-Ring	2799021	Black Neoprene
No. 10 GM Captive O-Ring, GM DA6, Sanden SD505/507/TR70/TR90 Compressor Shaft Seal Head O-Ring, Hitachi Compressor Crossover O-Ring, Matsushita Compressor Model S1150 Carbon Seal Head O-Ring	2799022	Black Neoprene
No. 12 GM Captive O-Ring, GM A6, R4, Sanden SD708/709 Compressor Shaft Seal Head O-Ring, Mitsubishi Compressor Model FX80 Suction Port O-Ring, Nihon Compressor Model DKV14C Carbon Seal O-Ring	2799023	Black Neoprene
Chrysler Block Expansion Valve Liquid Line O-Ring	2799024	Green HNBR
GM A6, DA6, HR6, V5, Service Valve O-Ring, Nippondenso Compressor Model FX80 Suction Port O-Ring, Ford Compressor Model FX15/FS10 Service Valve O-Ring, Saab, Seiko, Seiki SS170PSS Compressor Service Valve O-Ring, Nissan York Rotary Vane Compressor Hose Manifold O-Ring	2799025	Black Neoprene
GM Compressor Models R4, DA6, HR6, HR6HE, V5 Oval Service Valve O-Ring	2799026	Black Neoprene
GM Compressor Model R4 Service Valve O-Ring, Chrysler Block Expansion Valve Suction Line O-Ring	2799027	Black Neoprene
GM 5/8" Dual Metric Connection O-Ring	2799028	Black Neoprene
GM 3/4" Dual Metric Connection O-Ring	2799029	Black Neoprene
GM 1/2" Dual Metric Connection O-Ring	2799030	Black Neoprene
York, Tecumseh Compressor Rotolock Teflon Seal	2799031	
No. 6 Springlock Connection Garter Spring	2799032	
5/8" O-Ring, Water, Antifreeze	2799219	Black EPDM
O-Ring	2799203	Green HNBR
No. 5 O-Ring, Water, Antifreeze	2799204	Green HNBR
O-Ring	2799206	Green HNBR
O-Ring	2799208	Green HNBR
O-Ring, Water Valve Fitting	2799210	HQ Nitrile
No. 6 O-Ring, 3/8" Outside Diameter Tube	2799217	Green HNBR
No. 8 O-Ring, 1/2" Outside Diameter Tube	2799218	
No. 10 O-Ring, 5/8" Outside Diameter Tube	2799216	

* All o-rings purchased separately are packaged in quantities of 25.



O-Rings

O-Ring Assortment Kits

Description	Part No
Universal O-Ring Assortment Kit	2799200



NOTE: Complete kit may be ordered by Part Number 2799200. Individual parts may be ordered by referencing the part number for each item as listed in the table (to right).

Kit Contents:

Part No	Description
2799022	No. 10 GM Captive O-Ring, Black Neoprene
2799024	Chrysler Block Valve O-Ring, Green HNBR
2799025	GM A6, DA6, HR6, V5, Ford, FS10, FX15, 10PA Service Valve O-Ring, Compressor Service Valve O-Ring, Black Neoprene
2799021	No. 8 GM Captive O-Ring, Black Neoprene
2799117	No. 10 GM, Ford, Chrysler, Import Hose Fitting O-Ring, Black Neoprene
2799013	Capillary O-Ring, Black Neoprene
2799014	Nissan No. 8 Hose Fitting/Dryer O-Ring, Black Neoprene
2799116	No. 8 GM, Ford, Chrysler Import Hose Fitting O-Ring, Black Neoprene
2799023	No. 12 GM Captive O-Ring, Black Neoprene
2799020	No. 6 GM Captive O-Ring, Black Neoprene
2799028	GM No. 10 Dual O-Ring, Black Neoprene
2799118	No. 12 GM, Ford, Chrysler, Import Hose Fitting O-Ring, Black Neoprene
2799015	No. 6 GM/Ford, Chrysler/Import Hose Fitting O-Ring, Green HNBR
2799030	GM No. 8 Dual O-Ring, Black Neoprene
2799017	No. 10 Ford Springlock Fitting O-Ring, Green HNBR
2799019	Comp. Switch Port/Oil Plug/No. 6 Compression Fitting O-Ring, Black Neoprene
2799016	No. 8 Ford Springlock Fitting O-Ring, Green HNBR
2799018	No. 12 Ford Springlock Fitting O-Ring, Green HNBR
2799115	No. 6 Ford Springlock Fitting O-Ring, Black Neoprene
2799029	GM No. 12 Dual O-Ring, Black Neoprene
2799026	GM "Oval" Service Valve O-Ring, Black Neoprene
2799027	Chrysler Block Valve/GM R4 Service Valve O-Ring, Black Neoprene

Qty. 10 each per complete kit.

Description	Part No
O-Ring & Service Assortment Kit	2799201




NOTE: Complete kit may be ordered by Part Number 2799201. Individual parts may be ordered by referencing the part number for each item as listed in the table (to right).

Kit Contents:

Part No	Qty.	Description
2799025	7	GM Compressor Port O-Ring, Black Neoprene
2799021	7	No. 8 GM Captured O-Ring, Black Neoprene
2799117	7	No. 10 Hose Fitting O-Ring, Black Neoprene
2799013	7	Equalizer Tube O-Ring, Black Neoprene
2799116	7	No. 8 Hose Fitting O-Ring, Black Neoprene
2799023	7	No. 12 Captured Fitting O-Ring, Black Neoprene
2799020	7	No. 6 Captured O-Ring, Black Neoprene
2799118	7	No. 12 Hose Fitting O-Ring, Black Neoprene
2799015	7	No. 6 Hose Fitting O-Ring, Green HNBR
2799031	10	CCI & Tecumseh Rotolock Service Valve Teflon Seal
1409002	3	CCI & Tecumseh Long Stem Cap
1409003	10	Charging Port Cap (3/16")
1409009	10	Service Valve Cap (1/4")
2799098	1	A-6 Shaft Nut
2799099	1	Washer
2799101	10	Charging Hose Seal
2799102	10	Charging Hose Depressor
2799103	10	Can Tap Seal Gasket
2799095	3	CCI & Tecumseh Compressor Woodruff Key
2799097	3	Sanden Shaft Key
2899028	20	Schrader Valve Core

O-Ring Assortment Kits (cont'd)


Description	Part No
Job O-Ring Assortment Kit	2799202



Kit Contents:

Qty.	Description
1	O-Ring No. 4
7	O-Ring No. 6
6	O-Ring No. 8
4	O-Ring No. 10
1	O-Ring No. 12

Description	Part No
GM O-Ring Assortment Kit	2799107




Kit Contents:

Part No	Description
2799022	No. 10 GM Captive O-Ring, Black Neoprene
2799024	Chrysler Block Valve O-Ring, Green HNBR
2799025	GM A6, DA6, HR6, V5, Ford, FS10, FX15, 10PA Service Valve O-Ring, Compressor Service Valve O-Ring, Black Neoprene
2799021	No. 8 GM Captive O-Ring, Black Neoprene
2799117	No. 10 GM, Ford, Chrysler, Import Hose Fitting O-Ring, Black Neoprene
2799013	Capillary O-Ring, Black Neoprene
2799014	Nissan No. 8 Hose Fitting/Dryer O-Ring, Black Neoprene
2799116	No. 8 GM, Ford, Chrysler Import Hose Fitting O-Ring, Black Neoprene
2799023	No. 12 GM Captive O-Ring, Black Neoprene
2799020	No. 6 GM Captive O-Ring, Black Neoprene
2799028	GM No. 10 Dual O-Ring, Black Neoprene
2799118	No. 12 GM, Ford, Chrysler, Import Hose Fitting O-Ring, Black Neoprene
2799015	No. 6 GM/Ford, Chrysler/Import Hose Fitting O-Ring, Green HNBR
2799030	GM No. 8 Dual O-Ring, Black Neoprene
2799017	No. 10 Ford Springlock Fitting O-Ring, Green HNBR
2799019	Comp. Switch Port/Oil Plug/No. 6 Compression Fitting O-Ring, Black Neoprene
2799016	No. 8 Ford Springlock Fitting O-Ring, Green HNBR
2799018	No. 12 Ford Springlock Fitting O-Ring, Green HNBR
2799115	No. 6 Ford Springlock Fitting O-Ring, Black Neoprene
2799029	GM No. 12 Dual O-Ring, Black Neoprene
2799026	GM "Oval" Service Valve O-Ring, Black Neoprene
2799027	Chrysler Block Valve/GM R4 Service Valve O-Ring, Black Neoprene

Qty. 10 each per complete kit.

Description	Part No
Metric O-Ring Kit	2799108



Kit Contents:

Part No	Description
2799203	Compressor Switch Port Oil Plug O-Ring, Black Neoprene
2799016	No. 8 Hose Fitting O-Ring, Green HNBR
2799017	No. 10 Hose Fitting O-Ring, Green HNBR
2799204	No. 5 (7MM) Toyota Fitting Seal
2799206	Nissan No. 8 Hose Fitting/Drier O-Ring
2799015	Nissan No. 10 Hose Fitting/Drier O-Ring, Green HNBR
2799017	Nissan Evaporator Suction Line O-Ring, Green HNBR
2799208	Nissan Condenser Liquid Line O-Ring
2799016	Nissan Compressor Flange O-Ring, Green HNBR

Qty. 10 each per complete kit.



O-Rings

O-Ring Assortment Kits (cont'd)

Description	Part No
Service Shop O-Ring Kit	2799110



Kit Contents:

Part No	Description
2799115	No. 6 Hose Fitting O-Ring, Black Neoprene
2799116	No. 8 Hose Fitting O-Ring, Black Neoprene
2799117	No. 10 Hose Fitting O-Ring, Black Neoprene
2799118	No. 12 Hose Fitting O-Ring, Black Neoprene
2799013	GM Capillary Tube O-Ring
2799027	Suction Line O-Ring

Qty. 10 each per complete kit.

O-Ring Kit Listing

Kit Description	Contents	Part No
GM Assortment O-Ring Kit	R-12 and R-134a compatible	2799107
Metric O-Ring Kit	A complete assortment of green R-134a O-Rings. (shown above)	2799108
Service Shop O-Ring Kit	A complete set of standard hose fitting O-Rings for R-12 and R-134a	2799110
Universal O-Ring Kit	A complete assortment of R-12 and R-134a O-Rings. (shown on previous page)	2799200
Deluxe O-Ring Kit	A complete assortment of O-Rings along with seals, gaskets, Schrader valves, expansion valve screens and caps for R-12 and R-134a. (shown on previous page)	2799201
Job O-Ring Assortment Kit	Various size o-rings	2799202

O-Ring Rubber Material Data

Rubber Type / Designation	Color	Automotive Application
Nitrile Buna / Buna N / NBR (Nitrile Butadiene Rubber)	Black	<ul style="list-style-type: none"> A/C Systems with R-12 Refrigerant & Mineral Oil Power Steering / Rack & Pinion Systems Heater Systems Fuel Systems
HSN (Highly Saturated Nitrile) / HNBR (Hydrogenated Nitrile Butadiene Rubber)	Green or Yellow	<ul style="list-style-type: none"> A/C Systems with R-12 Refrigerant & Mineral Oil A/C Systems with R-134a Refrigerant & PAG (Polyalkylene Glycol) or POE (Polyol Ester) Refrigerant Oils
Neoprene / CR (Chloroprene Rubber)	Black, Red or Blue Tinted	<ul style="list-style-type: none"> Same as above



Bulkhead Adapters

Coupling Only				Nut Jam Only (packaged in quantities of 10)			
Hose Size: No. 6	Fitting Thread Size: 5/8"-18	Tube Size: 3/8"	2799046	Hose Size: No. 6	Fitting Thread Size: 5/8"-18	Tube Size: 3/8"	2799047
Hose Size: No. 8	Fitting Thread Size: 3/4"-16	Tube Size: 1/2"	2799048	Hose Size: No. 8	Fitting Thread Size: 3/4"-16	Tube Size: 1/2"	2799049
Hose Size: No. 10	Fitting Thread Size: 7/8"-14	Tube Size: 5/8"	2799050	Hose Size: No. 10	Fitting Thread Size: 7/8"-14	Tube Size: 5/8"	2799051
Hose Size: No. 12	Fitting Thread Size: 1 1/16"-14	Tube Size: 3/4"	2799052	Hose Size: No. 12	Fitting Thread Size: 1 1/16"-14	Tube Size: 3/4"	2799053

Drain Hose & Accessories

<p>Part No: 2600028</p> <p>General Specifications: 1/2" Inside Diameter Drain Hose (order in bulk)</p>	<p>Part No: 2799038</p> <p>General Specifications: 1/2" Inside Diameter Drain Hose (order in 12 feet increment)</p>	<p>Part No: 2799209</p> <p>General Specifications: 1/2" Inner Diameter Drain Hose (order in 10 feet increments)</p>
<p>Part No: 4099190</p> <p>General Specifications: 1/2" Inner Diameter Drain Hose (72 feet)</p>	<p>Part No: 2799037</p> <p>General Specifications: 1/2" Inner Diameter Check Valve Drain Tube</p>	<p>Part No: 2799039</p> <p>General Specifications: 1/2" Inner Diameter T-Fitting Drain Hose</p>

Bulkhead Adapters, Tubing & Drain Hoses

Drain Hose & Accessories (cont'd)

Part No: 2799042



General Specifications: 1/2" Inner Diameter. Splice Drain Hose

FITTINGS

Insulation Tubing

Insulation Tubing



Hose Size: No. 10	Hose Inner Diameter: 1 1/8"	Length: Multiples of 6 Ft.	2799044
Hose Size: No. 12	Hose Inner Diameter: 1 3/8"	Length: Multiples of 6 Ft.	2799045

Part No: 4475046



General Specifications: Heat Shrink Tubing

Tube & Fitting Assembly

Quick Disconnect Coupler



Fitting Size: 5/8"-18 **2650001**

Flexible Ducting


Bulk Flexible Ducting			
			
Fitting Size: 2" (50.8mm)	Hose Inner Diameter: 2" (50.8mm)	Length: 50 Ft.	2799084
Fitting Size: 2 1/2" (63.5mm)	Hose Inner Diameter: 2 1/2" (63.5mm)	Length: 50 Ft.	2799085
Fitting Size: 3" (76.2mm)	Hose Inner Diameter: 3" (76.2mm)	Length: 50 Ft.	2799086
Fitting Size: 3 1/2"	Hose Inner Diameter: 3 1/2" (88.9mm)	Length: 50 Ft.	2799087
Fitting Size: 4" (101.6mm)	Hose Inner Diameter: 4" (101.6mm)	Length: 50 Ft.	2799088
Fitting Size: 5"	Hose Inner Diameter: 5"	Length: 50 Ft.	2799089

Square Backed Duct Hose Adaptor Collar Size 2 1/2"		
		
Outside Dimension: 2 3/4" x 2 3/4"	Collar Size: 2 1/2"	2799072
Outside Dimension: 4 3/16" x 4 3/16"	Collar Size: 4"	2799073

FITTINGS




Hose Clamps

Part No: 2799054 (packaged in quantities of 10)

General Specifications: Double hose clamp
Clamp Inner Diameter: 2" max.

Part No: 2799055 (packaged in quantities of 10)

General Specifications: Cable clamp
Clamp Inner Diameter: 3/16" max.

Part No: 2799066 (packaged in quantities of 25)

General Specifications: No. 6 Hose clamps
Hose Size: No. 6
Clamp Inner Diameter: 11/16" max.

Ducting, Clamps & Hoses

Hose Clamps (cont'd)

Part No: 2799221 (packaged in quantities of 25)



General Specifications: No. 6 Hose clamp
 Hose Size: No. 6
 Clamp Inner Diameter: 11/16" (max)

Part No: 2799223 (packaged in quantities of 10)



General Specifications: 23mm Hose spring clamp

Hose/Duct Clamp (packaged in quantities of 25)



Fitting Size: .56" (14.22mm)	Clamp Inner Diameter: 1/2" min. to 1" max.	2799076
Fitting Size: 1.06" (26.92mm)	Clamp Inner Diameter: 1" min. to 2" max.	2799078
Fitting Size: 3.12" (79.25mm)	Clamp Inner Diameter: 3" min. to 4 1/4" max.	2799081

FITTINGS

Hoses

Part No: 2600013



Hose Inner Diameter: 5/8"
 Hose Outer Diameter: 15/16"
 Length: 50 Ft. Rolls
 General Specifications: Heater Hose

Part No: 2600025



General Specifications: 1" 90 Degree Formed Heater Hose

Part No: 2630001



General Specifications: Minimum Bend Radius: 2" (50mm)
 Hose Inner Diameter: 5/16" (7.9mm)
 Hose Outer Diameter: 37/64" (14.7mm)
 Hose Size: No. 6

Hose Guards

Part No: 4399148



Hose Inner Diameter: 1 1/2"
 Hose Outer Diameter: 1 3/4"
 Temperature Range: -40°F - 300°F (-40°C - 149°C)

Hose Repair Kit

Part No: 2610009



General Specifications: Hose Repair Kit includes: (10) No. 6 Ferrule, (10) No. 8 Ferrule, (10) No. 10 Ferrule, (10) No. 12 Ferrule, (10) No. 1 Reainer Ring, (10) No. 2 Reainer Ring, (10) No. 3 Reainer Ring, (10) No. 4 Reainer Ring, (10) No. 8 Reainer Ring

Hose and Installation Kits

Part No: 3475002



General Specifications: R-134a Hose Kit includes; (2) No. 10 O-ring, (2) No. 8 O-Ring, 18 feet No. 8 Hose, 18 feet No. 10 Hose, (2) No. 8 90 Degree Fitting, (2) No. 10 90 Degree Fitting

Part No: 3475003



General Specifications: R-134a Hose Kit includes; (2) No. 10 O-ring, (2) No. 8 O-Ring, 24 feet No. 8 Hose, 24 feet No. 10 Hose, (1) No. 8 90 Degree Fitting, (1) No. 10 90 Degree Fitting, (1) No. 8 Straight Fitting, (1) No. 10 Straight Fitting

Part No: 3475004



General Specifications: Hose and Fitting Kit includes; (2) No. 10 O-ring, (2) No. 8 O-Ring, 18 feet No. 8 Hose, 18 feet No. 10 Hose, (1) No. 8 90 Degree Fitting, (1) No. 10 90 Degree Fitting, (1) No. 8 90 Degree Fitting w/Access Port, (1) No. 10 90 Degree Fitting w/Access Port

Part No: 3475005



General Specifications: Hose and Fitting Kit includes; (2) No. 10 O-ring, (2) No. 8 O-Ring, 24 feet No. 8 Hose, 24 feet No. 10 Hose, (1) No. 8 Straight Fitting, (1) No. 10 Straight Fitting, (1) No. 8 90 Degree Fitting w/Access Port, (1) No. 10 90 Degree Fitting w/Access Port

Part No: 3475060



General Specifications: 30,000 Ceiling Mount Wire Kit includes; (1) Solenoid, (1) Battery Cable, (1) Condenser Wire Assembly, (3) Wire Harnesses, (1) Wire Assembly, (1) Wire Clutch Ground Assembly, (2) No. 10 Terminal Ring, (1) High Pressure Switch, (1) Low Pressure Switch, (1) Switch Assembly, (1) Relay Panel Assembly

Part No: 3475063



General Specifications: Hose Skirt Mount Condenser Kit includes; (2) No. 8 O-Rings, (1) No. 6 Hose Assembly, (1) No. 8 Hose Assembly, (1) No. 12 Hose Assembly, (1) 90 Degree 3/4-16 Fitting w/Port

Part No: 3475087



General Specifications: Universal Hose Kit for KA-7100

FITTINGS





KYSOR
by Bergstrom.

*Air Conditioning & Heating
Replacement Parts*

Service Equipment

Flush & Recharge Equipment	528
A/C Flush Equipment	528
Recovery, Recycling, Flushing & Recharging Equipment	528
Leak Detection Equipment	529
Miscellaneous Service Equipment	530
Manifold Gauge Sets	530
R-134a Dispensing Tools	530
A/C Service Products	531



Availability of the products shown in this catalog is subject to change without notice by Bergstrom, Inc. For the most current product information please visit the Kysor distributor website at <https://parts.kysorhvac.com/>.

Call: 800.499.6849 for Technical Assistance

Flush & Recharge Equipment

A/C Flush Equipment

Part No: 2999019



General Specifications: A/C flush gun kit with hose and rubber tip nozzle. Compatible with R-12, Freeze 12 or R-134a A/C systems.

Recovery, Recycling, Flushing & Recharging Equipment

Part No: 2999107



General Specifications: R-12, R-134a, R-22, R-502 MP & HP blends - and many more Recovery, Recycling, Evacuation & Recharging Unit.

Features: Microprocessor - controls functions; prompts lead you through programming and also signal when it's time to change filter-drier, vacuum pump oil, and Compressor oil ; Float Chamber - automatically adjusts from liquid to vapor for most efficient recovery; Float Chamber - automatically adjusts from liquid to vapor for most efficient recovery; Electronic Scale - makes it simple to recharge to factory specs; also weighs recovered refrigerant and provides tank overfill protection; Vacuum Pump - 6 CFM has the capacity to thoroughly evacuate the system, readying it for recharging

Comes with lockout panel to prevent mixing of refrigerants and two 50-pound tanks.

(Design certified by UL to meet SAE J-1770 standards).

Part No: 2999108



General Specifications: R-134a Recovery, Recycling, Evacuation, Leak tests & Recharging Unit.

Features: Automatic Air Purge; Refrigerant Charging; Refrigerant Management; Vacuum Function; New 4x20 multilingual display.

Comes with lockout panel to prevent mixing of refrigerants and Two 50-pound tanks.

(Meets SAE J-2788 standards for accuracy: 95% refrigerant recovery and charging to +/- 1/2 oz.

Part No: 2999109



General Specifications: R-134a Recovery, Recycling, Evacuation, Leak test & Recharging Unit.

Features: Recovers 20% More Refrigerant; Charge Accuracy +/- 1/2 Ounce; Control panel offers flat storage feature when not in use; Database expansion slot; Two large tool storage areas; Change between traditional & hybrid vehicle systems without fear of cross contamination with improved oil injection; New 2X larger display makes it easier than ever to use; Built-in storage for extra filter; On-board storage for Compressor oils; With Automated A/C Service.

Functions: Vacuum leak test; Automatic refrigerant refill; automatic air purge; Automatic oil drain; Refrigerant charging; Refrigerant management; Vacuum function.

Meets SAE J-2788 standards for accuracy: 95% refrigerant recover and charging to +/- 1/2 oz. Combines simple operation with superior accuracy.



Part No: 2999003



General Specifications: R-134a / PAG dye kit, including a 4 oz. BIG EZ cartridge with Fluoro-Lite universal A/C dye and injector Assembly plus complete hardware. Treats up to 32 vehicle A/C systems.

Part No: 2999004



General Specifications: R-134a Universal Ester dye kit, Including a 4 oz. BIG EZ cartridge with Fluoro-Lite universal A/C dye and injector Assembly plus complete hardware. Treats up to 32 vehicle A/C systems.

Part No: 2999005



General Specifications: Glo-Away dye cleaner/remover refill bottle. Remove all traces of dye from repaired leak sites. Water-based, Nontoxic, Nonflammable, Noncarcinogenic, biodegradable and has no offensive odor. Contains no harmful solvents or CFC's and is safe for use on plastic, rubber and metal

Part No: 2999006



General Specifications: R-134a/Universal POE (4 oz.) solvent-free dyes certified to meet or exceed SAE standard J2297. Fits all popular caulking gun and pump type dye injectors.

Part No: 2999007



General Specifications: R-134a PAG (4 oz.) solvent-free dyes certified to meet or exceed SAE standard J2297. Fits all popular caulking gun and pump type dye injectors.

Part No: 2999009



General Specifications: Leak detection assembly

Part No: 2999013



General Specifications: R-134a SAE Low side Hose Assembly, comes with R-12 adapter

Part No: 2999085



General Specifications: R-134a PAG 100 oil 8 oz. cartridge, use with pump type injectors

Part No: 2999086



General Specifications: R-134a PAG 150 oil 8 oz. cartridges, use with pump type injectors

Part No: 2999093



General Specifications: R-134a Ester 100 oil 8 oz. cartridges used with pump type injectors

Part No: 2999097



General Specifications: OPTIMAX Cordless, Rechargeable Leak Detection Flashlight; Super-high intensity LED bulb w/100,000 hour service life, Over 6 hours of peak performance, Power comparable to super-high intensity 100w lamps, Inspection range of up to 20 feet or more, Compatible with all leak detection dyes, Powered by a rechargeable NiMH battery, AC charger included, Fluorescence-enhancing glasses

Part No: 2999099



General Specifications: PRO-Alert Portable Refrigerant Leak Detector, Features high-performance heated-diode sensor technology.

Miscellaneous Service Equipment

Part No: 2999102



General Specifications: R-134a/Universal POE (8 oz.) solvent-free dyes certified to meet or exceed SAE standard J2297. Fits all popular caulking gun and pump type dye injectors.

Part No: 2999103



General Specifications: R-134a PAG (8 oz.) solvent-free dyes certified to meet or exceed SAE standard J2297. Fits all popular caulking gun and pump type dye injectors.

Manifold Gauge Sets

Part No: 2999021



General Specifications: Complete Multi-Refrigerant gauge set with hoses, containing 36" red and blue, 60" yellow hoses for use with multiple refrigerants including R-12, Freeze 12, R-134a, R-22, R-500, R502 as well as other alternative refrigerants

Part No: 2999026



General Specifications: Generic High Side Manifold Gauge. A quality replacement high-side manifold gauge for any multi-refrigerant (Manifold Gauge set features recalibration adjustment: red)

SERVICE EQUIPMENT

R-134a Dispensing Tools

Part No: 2999030



General Specifications: R-134a EZ Tapper (Green). Makes servicing R-134a A/C systems with 12 oz. cans of refrigerant faster and easier. Also includes an adapter for 4 oz. cans of oil charge.

Part No: 2999031



General Specifications: R-134a recharge kit, designed for easy recharging of R-134a A/C systems using 12 oz. cans. Contains dispensing valve, hose and low side quick coupler.

Part No: 2999032



General Specifications: R-134a Professional Dispensing Valve for use with R-134a 12 oz. cans. Includes large handle for easier operation.

A/C Service Products

Part No: 2999015



General Specifications: Refrigerant Tape comes as a 30 foot roll that is 2" wide by 1/8" tape used in covering A/C Fittings

Part No: 2999033



General Specifications: R-12 to R-134a Hose Adapter allowing conversion of existing R-12 charging hoses for R-134a service. 1/4" Male SAE x 14mm Male

Part No: 2999034



General Specifications: R-12 to R-134a Hose Conversion Kit quickly converts your existing R-12 charging hoses over for use with R-134a systems. Includes high and low side quick couplers, a common service hose and shutoff valves to prevent the release of refrigerant. Shutoff Valves will attach to any 1/4" SAE flare fitting.

Part No: 2999036



General Specifications: R-134a high side service coupling fitting

Part No: 2999037



General Specifications: R-134a low side service coupling fitting

Part No: 2999041



General Specifications: Charging Hose set with a set of 72" red, yellow & blue low permeation barrier-type hoses.

Part No: 2999049



General Specifications: High Side Adapter that adapts 3/16" Male SAE high side service port on newer model vehicles to 1/4" Male SAE to allow for high side monitoring.

Part No: 2999051



General Specifications: A/C Test Thermometer which is a high quality test thermometer for checking outlet duct and ambient temperatures. Conveniently fits in shirt pocket.

Part No: 2999060



General Specifications: "5 CFM Vacuum Pump (Two Stage) This model is an excellent choice for small to medium sized systems (2.5 lb. to 10 lb. charge capacity). This two stage pump features a manifold valve to isolate it from the system and three inlet ports: 1/4" flare, 3/8" flare, and 1/2" ACME (for automotive R-134a systems) Free Air Displacement 5 CFM; Ultimate Vacuum 25 microns; No. of Stages Two; Motor 1/3 HP; Pump Speed 1725 RPM 110V/60Hz

Miscellaneous Service Equipment

SERVICE EQUIPMENT

Part No: 2999061



General Specifications: R-134a Oil Injectow which is a 1/2" ACME-M x 1/2" ACME-F; Add oil by allowing vacuum to pull it in after evacuation process or use refrigerant to push it in using the recharge process. Rugged all metal 2 oz. canister. The standard models use a needle style Valve attached between the manifold gauge set or charging equipment and A/C hose.

Part No: 2999064



General Specifications: Standard Valve Core Remover/Installer which is a sturdy ball Valve design controls refrigerant flow with 1/4 turn of the Valve lever. Lever position also gives visual indication of whether Valve is opened or closed.

Part No: 2999075



General Specifications: Fin Straightner with a six-in-one straightener to clean and straighten Condenser Coil and evaporator coil fins. Features: Tool is compact for use in confined spaces; 8, 9, 10, 12, 14 and 15 fins per inch; Handle size: 3-1/2" long; Straighten size: 3-1/8" diameter

Part No: 2999091



General Specifications: Spin-on filter drier for 17700A, 17700-2K, 34134A, 34134-2K, 342000, 34234, 34300-2K, 34700, 34700-2K, 34800, 34800-2K, 34900 series

Notes



KYSOR
by Bergstrom

*Air Conditioning & Heating
Replacement Parts*

Chemicals & Lubricants



Chemical & Lubricant Specifications	534
Lubricants	534
Chemicals	534
Chemicals	535
A/C Flush	535
Cleaners	535
Leak Stop	536
Oil Charge	536
Maxi-Charge	536
Castrol Retro A/C - Polyol Ester Oil	537
Refrigerant Oils	537
Retro A/C - Polyalkylene Glycol	537
Mineral Oil	537
Vacuum Pump Oil	537
Lubricants	537
Retro A/C - Polyalkylene Glycol with Leak Dye	538
Polyol Ester Oil	538



Availability of the products shown in this catalog is subject to change without notice by Bergstrom, Inc. For the most current product information please visit the Kysor distributor website at <https://parts.kysorhvac.com/>.

Chemical & Lubricant Specifications

Chemical & Lubricant Specifications

Description	Package Size	Part No
-------------	--------------	---------

Lubricants

Refrigerant Oil - R-134a Sanden SP20	6 x 8.4 oz.	3099007
Ester Oil	6 x 12 oz.	3099042
Mineral Oil - A premium mineral lubricant made specifically for R-12 A/C systems	6 x 1 qt.	3099047
Vacuum Pump Oil	1 qt.	3099054
Retro A/C - Synthetic Polyol Ester Lubricant, Can be used in R-12 and R-134a systems	4 x 1 gal.	3099055
Retro A/C - Synthetic Polyol Ester Lubricant, Can be used in R-12 and R-134a systems	6 x 8 oz.	3099061
Retro A/C - Synthetic Polyol Ester Lubricant, Can be used in R-12 and R-134a systems	6 x 12 oz.	3099062
Retro A/C - Synthetic Polyol Ester Lubricant, Can be used in R-12 and R-134a systems	6 x 1 qt.	3099063
Retro A/C - PAG 46 A low viscosity ISO 46, Formulated for R-134a systems other than Ford or GM	6 x 8 oz.	3099064
Retro A/C - PAG 100	6 x 8 oz.	3099065
Retro A/C - PAG 150 PAG refrigerant oil for use when servicing Sanden R-134a compressors	6 x 8 oz.	3099066
Ester Oil with Leak Die - Synthetic Polyol Ester Lubricant, Can be used in R-12 and R-134a systems	6 x 8 oz.	3099069
Retro A/C - PAG 46 with Leak Die - A low viscosity ISO 46, Formulated for R-134a systems other than Ford or GM	6 x 8 oz.	3099070
Retro A/C - PAG 100 with Leak Die	6 x 8 oz.	3099071
Retro A/C - PAG 150 with Leak Die - PAG refrigerant oil for use when servicing Sanden R-134a compressors	6 x 8 oz.	3099072

Chemicals

2 oz. R-134a/2 oz. Castrol Retro A/C, Ideal for top off of R-134a systems, Quick, Easy, and Economical	12 x 4 oz.	3099056
A mid viscosity PAG oil mixed with R-134a for easy charging into an R-134a system	12 x 4 oz.	3099057
Leak Stop - Helps to seal and detect most common A/C leaks in R-134a systems	12 x 4 oz.	3099058
A/C Flush - Solvent based. Effective flushing agents available for removing debris and sludge out of A/C components	4 x 1 gal.	3099059
Maxi-Charge - R-134a refrigerant with a performance booster and a leak sealer and conditioner. Good for all R-134a A/C systems.	12 x 4 oz.	3099060
A/C Flush - Solvent based. Effective flushing agents available for removing debris and sludge out of A/C components	6 x 1 qt.	3099067
A/C Flush - Non-flammable. Effective flushing agents available for removing debris and sludge out of A/C components	6 x 1 qt.	3099068
A/C Flush - Non-flammable. Effective flushing agents available for removing debris and sludge out of A/C components	4 x 1 gal.	3099073
Evaporator Spray Foam Cleaner	12 x 18 oz.	3099074
Condenser Spray Foam Cleaner	12 x 18 oz.	3099075



A/C Flush

Part No: 3099059



General Specifications: A/C Flush - Solvent based. Effective flushing agents available for removing debris and sludge out of A/C components

Package Size: 4 x 1 gal.

Part No: 3099067



General Specifications: A/C Flush - Solvent based. Effective flushing agents available for removing debris and sludge out of A/C components

Package Size: 6 x 1 qt.

Part No: 3099068



General Specifications: A/C Flush - Non-flammable. Effective flushing agents available for removing debris and sludge out of A/C components

Package Size: 6 x 1 qt.

Part No: 3099073



General Specifications: A/C Flush - Non-flammable. Effective flushing agents available for removing debris and sludge out of A/C components

Package Size: 4 x 1 gal.

Cleaners

Part No: 3099074



General Specifications: Evaporator Spray Foam Cleaner

Package Size: 12 x 18 oz.

Part No: 3099075



General Specifications: Condenser Spray Foam Cleaner

Package Size: 12 x 18 oz.

Chemical & Lubricant Specifications

Leak Stop

Part No: 3099058



General Specifications: Leak Stop - Helps to seal and detect most common A/C leaks in R-134a systems

Package Size: 12 x 4 oz.

Maxi-Charge

Part No: 3099060



General Specifications: Maxi-Charge - R-134a refrigerant with a performance booster and a leak sealer and conditioner. Good for all R-134a A/C systems.

Package Size: 12 x 4 oz.

Oil Charge

Part No: 3099056



General Specifications: 2 oz. R-134a/2 oz. Castrol Retro A/C, Ideal for top off of R-134a systems, Quick, Easy, and Economical

Package Size: 12 x 4 oz.

Part No: 3099057



General Specifications: A mid viscosity PAG oil mixed with R-134a for easy charging into an R-134a system

Package Size: 12 x 4 oz.

Castrol Retro A/C - Polyol Ester Oil

Part No: 3099042



General Specifications: Ester Oil

Package Size: 6 x 12 oz.

Mineral Oil

Part No: 3099047



General Specifications: Mineral Oil - A premium mineral lubricant made specifically for R-12 A/C systems

Package Size: 6 x 1 qt.

Refrigerant Oils

Part No: 3099007



General Specifications: Refrigerant Oil - R-134a Sanden SP20

Package Size: 6 x 8.4 oz.

Vacuum Pump Oil

Part No: 3099054



General Specifications: Vacuum Pump Oil

Package Size: 1 qt.

Retro A/C - Polyalkylene Glycol

Part No: 3099064



General Specifications: Retro A/C - PAG 46 A low viscosity ISO 46, Formulated for R-134a systems other than Ford or GM

Package Size: 6 x 8 oz.

Part No: 3099065



General Specifications: Retro A/C - PAG 100 For use in Seltex (Zexel, Diesel Kiki) R-134a compressors

Package Size: 6 x 8 oz.

Part No: 3099066



General Specifications: Retro A/C - PAG 150 PAG refrigerant oil for use when servicing Sanden R-134a compressors

Package Size: 6 x 8 oz.



Lubricants

Retro A/C - Polyalkylene Glycol with Leak Dye

Part No: 3099070



General Specifications: Retro A/C - PAG 46 with Leak Die - A low viscosity ISO 46, Formulated for R-134a systems other than Ford or GM

Package Size: 6 x 8 oz.

Part No: 3099071



General Specifications: Retro A/C - PAG 100 with Leak Die

Package Size: 6 x 8 oz.

Part No: 3099072



General Specifications: Retro A/C - PAG 150 with Leak Die - PAG refrigerant oil for use when servicing Sanden R-134a compressors

Package Size: 6 x 8 oz.

Polyol Ester Oil

Part No: 3099055



General Specifications: Retro A/C - Synthetic Polyol Ester Lubricant, Can be used in R-12 and R-134a systems

Package Size: 4 x 1 gal.

Part No: 3099061



General Specifications: Retro A/C - Synthetic Polyol Ester Lubricant, Can be used in R-12 and R-134a systems

Package Size: 6 x 8 oz.

Part No: 3099062



General Specifications: Retro A/C - Synthetic Polyol Ester Lubricant, Can be used in R-12 and R-134a systems

Package Size: 6 x 12 oz.

Part No: 3099063



General Specifications: Retro A/C - Synthetic Polyol Ester Lubricant, Can be used in R-12 and R-134a systems

Package Size: 6 x 1 qt.

Part No: 3099069



General Specifications: Ester Oil with Leak Die - Synthetic Polyol Ester Lubricant, Can be used in R-12 and R-134a systems

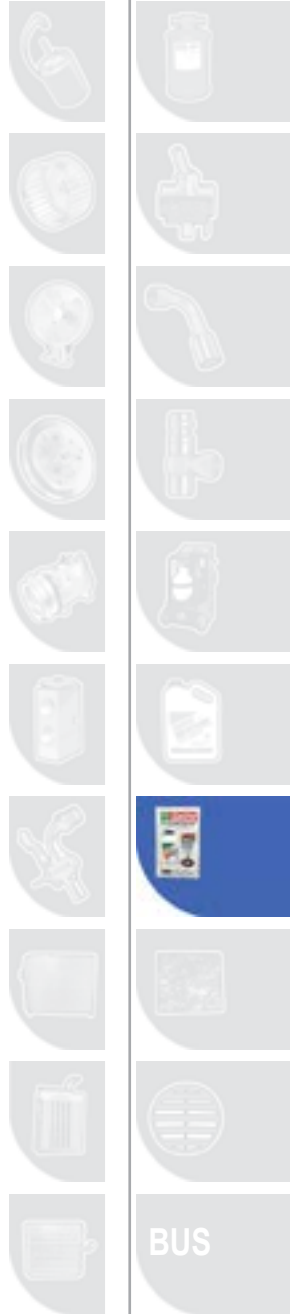
Package Size: 6 x 8 oz.



Air Conditioning & Heating
Replacement Parts

Kits & Accessories

Retrofit Kit & Adapters	540
Retrofit Kits	540
Retrofit Adapters	540
Tools & Accessories	542
Accessories	542
Brackets & Kits	543
Bolts, Nuts, Washers & Screws	544
Foam & Gaskets	545
Grommets	545
Keys	546
Light Assemblies	546
Valve Cores & Installation Tools	546
Wire & Wire Harnesses	547



Availability of the products shown in this catalog is subject to change without notice by Bergstrom, Inc. For the most current product information please visit the Kysor distributor website at <https://parts.kysorhvac.com/>.

Call: 800.499.6849 for Technical Assistance

Retrofit Kit & Adapters

Retrofit Kits

Part No: 2899100



General Specifications: Retrofit Kit includes; o-rings, gaskets, R-12 eliminator port cap, retrofit charging adapters, R-134a label, and 12 oz. of castrol A/C retro 100. Cci/ Tecumseh Class 6, 7, and 8 Heavy-Duty Truck; OEM's Autocar, Brockway, Chevy/GMC, Diamond Rio, Ford, Freightliner, International/Navistar, Kenworth, Mack, Marmon, Peterbilt, Volvo/White/GM and Western Star. T/ CCI/Diesel Kiki Off-Highway Construction/Agricultural Equipment OEM's; Caterpillar, Deutz-Allis, Fiat-Allis, Allis Chalmers, Ford-Sperry, New Holland, Ford Tractor, Fox River, Hesston (HFI), International Harvester, J.I. Case, John Deere, Long, Massey Ferguson, New Ideal/Avco, Oliver, Steiger, Versatile and White Farm.

Retrofit Adapters

Part No: 2899001



Adaptor 90 Degree Steel (must order in increments of 5)

Fitting Size: 16mm

Fitting Thread Size: 3/16" (3/8"-24)

General Specifications: 90° 16mm Adapter Fitting R-134a. Includes Valve Core, Neoprene O-ring and Threadlock.

Additional Specification: Cap Color: Red (high side)

Part No: 2899002



Adaptor 90 Degree Steel .250 In S (must order in increments of 5)

Fitting Size: 16mm

Fitting Thread Size: Female 7/16-20 Thread (1/4")

General Specifications: 90° 16mm Adapter Fitting R-134a. Includes Valve Core, Neoprene O-ring and Threadlock.

Additional Specification: Cap Color: Red (high side)

Part No: 2899003



Adaptor 16mm.37-24-.81In (must order in increments of 5)

Fitting Size: 16mm

Fitting Thread Size: 3/16" (3/8"-24)

General Specifications: Straight 16mm Adapter Fitting R-134a. Includes Valve Core, Neoprene O-ring and Threadlock.

Additional Specification: Cap Color: Red (high side)

Part No: 2899004



Adaptor 16mm .4370-20 .25 (must order in increments of 5)

Fitting Size: 16mm

Fitting Thread Size: 1/4" (7/16"-20)

General Specifications: Straight 16mm Adapter Fitting R-134a. Includes Valve Core, Neoprene O-ring and Threadlock.

Additional Specification: Cap Color: Red (high side)

Part No: 2899005



Adaptor 90 Degree Steel (must order in increments of 5)

Fitting Size: 13mm

Fitting Thread Size: 7/16" x 20 (1/4")

General Specifications: 90° 13mm Adapter Fitting R-134a

Additional Specification: Cap Color: Blue (Low side)

Part No: 2899006



Steel 13mm X .250 Adpt (must order in increments of 10)

Fitting Size: 13mm

Fitting Thread Size: 7/16" x 20 (1/4")

General Specifications: Straight 13mm Adapter Fitting R-134a. Includes Valve Core, Neoprene O-ring and Threadlock.

Additional Specification: Cap Color: Blue (Low side)

Part No: 2899010



Fitting, Adaptor 16mm .8125 In,R-134A (must order in increments of 5)

Fitting Size: 16mm

Fitting Thread Size: 3/8" x 24 (3/16")

Fitting Service Port Size: M10 metric

General Specifications: 16mm (3/16") Adapter Fitting R-134a

Part No: 2899014



Adaptor No 8 Fml x No 8 Male 1 (must order in increments of 5)

Fitting Size: 16mm

Fitting Thread Size: No. 8 Female x No. 8 Male (1/4") 7/16" x 20 (1/4")

General Specifications: In-Line Mounted Adapter Fitting R-134a

Part No: 2899015



Adaptor,Primary Seal W/Red Cap (must order in increments of 5)

Fitting Size: 16mm

Fitting Thread Size: Male Thread 12mm-1.5

General Specifications: Bridgeport GM High Side Primary R-134a adapter includes 16mm adapter with red cap, valve core and neoprene o-ring

Additional Specification: Cap Color: Red (high side)

Part No: 2899016



Switch, Aluminum 3/8-24 To 10mm

General Specifications: Aluminum Switch Port Adapter includes 3/8"-24 Male threads to 10mm with neoprene o-rings

Part No: 2899024



Adaptor, High Flow Port-16mm

General Specifications: High Flow Aeroquip Port 16mm x 3/16" Adapter

Part No: 2899025



Adaptor, 13mm High Flow Port (must order in increments of 2)

General Specifications: High Flow Aeroquip Port 13mm x 1/4" Adapter

Part No: 2899026



Adaptor Ford Primary 16mm

Fitting Size: 16mm port

Fitting Thread Size: Male Thread 12mm-1.5

General Specifications: Ford Primary Port 16mm x M12 x 1.5 base thread with neoprene o-ring and valve core

Additional Specification: Cap Color: Red (high side)

Part No: 2899027



Retro Fit Adaptor

Fitting Size: 13mm port

Fitting Thread Size: Female thread, 10mm-1.25

General Specifications: Chrysler, Ford, Mercedes 13mm Primary Seal Port with green HNBR o-ring (aluminum)

Accessories

KITS & ACCESSORIES

Part No: 2799100



A-6 Retainer Shaft Clutch Ring

General Specifications: Retain ring for use on A6/R4 compressors clutch hub

Part No: 2799101



Depressor, Valve Core (must order in increments of 5)

General Specifications: Service Valve Port Adapter Depressor - 1/4"

C-Plate Seal



General Specifications: 3/4 C-plate seal

2799212

General Specifications: 1/2 C-plate seal

2799211

Part No: 2799215



General Specifications: Plastic Elbow

Part No: 2799220



General Specifications: Water valve clip

Part No: 4399150



Block Valve Clamping Plate

Length: 2 15/32" (62.6mm)

Width: 1 3/16" (30mm)

Material: 6mm Thick Mild Steel

Part No: 4399167



Tinnerman S-Clip

Part No: 4499034




General Specifications: Rubber Draw Latch

Part No: 4499142



Trim-Lok Seal

Brackets & Kits

<p>Part No: 3475066</p>  <p>Adaptor Cummins Isc 8.3L Kit</p>	<p>Part No: 3713011</p>  <p>Kit-Adapt</p>	<p>Part No: 3799020</p>  <p>Adaptor Kit</p>
<p>Part No: 3799034</p>  <p>Spartan Adapt A/C Compressor Kit</p>	<p>Part No: 4475048</p>  <p>Mounting Bracket</p>	<p>Part No: 4475049</p>  <p>Rear Adjust Bracket</p>
<p>Part No: 4475050</p>  <p>Floor Mount Bracket</p>	<p>Part No: 4499137</p>  <p>Bottom Mount Condenser Bracket</p>	<p>Part No: 4499138</p>  <p>Top Mount Condenser Bracket</p>

Tools & Accessories

Bolts, Nuts, Washers & Screws

KITS & ACCESSORIES

Part No: 2799098



General Specifications: Nut, A-6 Shaft (must order in increments of 5)

Part No: 2799099



Washer, A-6 (must order in increments of 5)

General Specifications: Clutch hub spacer washer for use on A6/R4 compressors

Part No: 4099120



General Specifications: 5/16"-18 x 11" Cap Bolt (must order in increments of 25)

Part No: 4099148



General Specifications: 5/16"-18 Nylon Lock Nut (must order increments of 10)

Part No: 4099161



General Specifications: 500-13 x 1 1/2" Hex GR8 Cap Screw (must order in increments of 25)

Part No: 4099162



General Specifications: 1/2"-13 Center Lock Hex Zinc Nut (must order in increments of 10)

Part No: 4399095



General Specifications: Screw, 1/4"-20 X 1/2, Cross Rec Truss (must order in increments of 25)

Part No: 4475044



General Specifications: Self Drill Screw (must order in increments of 25)

Part No: 4475045



General Specifications: Flat 1/2" Washer (must order in increments of 10)

Part No: 4475061



General Specifications: 5/16 SAE Standard Steel Flat Washer (must order in increments of 25)

Part No: 4499141



Plastite (must order in increments of 10)

Part No: 4499143



M8 x 1.25 Serrated Hex Nut (must order in increments of 10)

Foam & Gaskets

Part No: 2799102



Gasket-Charging Hose .25 (must order in increments of 5)

General Specifications: Charging Hose Gasket - 1/4"

Part No: 2799103



Can Tap Seal Gasket (must order in increments of 5)

Part No: 3475009



Foam .75" X 3.5" X Bulk -3008-2

Part No: 3475012




Gasket, .25" X 5.5" X Bulk Ps Poly Foam

Part No: 4475018



Bottom Unit Cover Gasket

Part No: 4480032



General Specifications: Strip Gasket


Grommets

Part No: 4475015




General Specifications: .62" Inner Diameter Rubber Grommet (must order in increments of 10)

Part No: 4475016




General Specifications: .56" Inner Diameter x 1.25" Outside Diameter Rubber Grommet (must order in increments of 10)

Part No: 4475043



General Specifications: 1.3125" Inner Diameter Rubber 3H-2900 Grommet (must order in increments of 10)

Part No: 4480002



General Specifications: Freeze Switch Grommet

Part No: 4499098



General Specifications: Wire Harness Grommet (must order in increments of 10)

Tools & Accessories

Keys

Part No: 2799095



Key, York/Tecumseh Shaft (must order in increments of 5)

General Specifications: T/CCI, York-Tecumseh - Quantity 10 per box

Part No: 2799097



Sanden Shaft Key (must order in increments of 5)

General Specifications: Sanden Compressor Shaft Key - Quantity 10 per box

Light Assemblies

Part No: 2199028



Voltage: 14V

General Specifications: Panel Light

Function: N/A

KITS & ACCESSORIES

Valve Cores & Installation Tools

Part No: 2899028



Valve Core (must order in increments of 5)

General Specifications: Valve core R12/R134a service port - OAL 3/4" top to bottom - 10 per box

Part No: 2899029



Valve Core (must order in increments of 10)

General Specifications: 1/4" - GM High Flow Large Bore Valve Core - Service port, OAL 3/4" top to bottom - 10 per box

Part No: 2899030



Valve Core Tool

General Specifications: Heavy duty core removal tool standard size and Eaton SSV E-Z clip size

Part No: 2899031



Valve Core Tool

General Specifications: Schrader Core Remover

Part No: 2899032



Valve Core (must order in increments of 5)

General Specifications: M8 Eaton 13mm SSV - High flow low side service port - OAL 7/8" top to bottom - 10 per box

Part No: 2899033



Valve Core (must order in increments of 5)

General Specifications: M10 Eaton 16mm SSV - High flow high side service port - OAL 7/8" top to bottom - 10 per box

Part No: 2899107



Valve Core (must order in increments of 10)

General Specifications: High Flow Valve Core w/HNBR Seal - 10 per box

Wire & Wire Harnesses

Part No: 4399081



General Specifications: Wire clip

Part No: 4499098



General Specifications: Wire Harness Grommet

Notes: NITE Phoenix Prefix SRT, BWF, BYC, CAI, CCA, CDJ, CIA, CAN. NOTE: The price is per piece (not per pack quantity). The total price will be reflected during the checkout process.



KYSOR
by Bergstrom.

*Air Conditioning & Heating
Replacement Parts*

Air Filters

Air Filter Specifications	550
Air Filters	555
Filter/Pressurizers	569



BUS

Availability of the products shown in this catalog is subject to change without notice by Bergstrom, Inc. For the most current product information please visit the Kysor distributor website at <https://parts.kysorhvac.com/>.

Call: 800.499.6849 for Technical Assistance

Air Filter Specifications

Air Filter Specifications

Length	Height	Width	Material	Description	Application	Part No
3 5/8" (92.5mm)	16 13/16" (427.5mm)	3/8" (10mm)		Recirculation air filter		4399015
4 1/4" (108mm)	4" (102mm)	1/4" (6.4mm)		Air filter		3199014
6 1/4" (158.75mm)	13" (330.2mm)	7/16" (11.2mm)		Aluminum frame; expanded aluminum pad		3199089
6 15/16" (175.3mm)	4 1/8" (105mm)	1/2" (12.7mm)	Polyester Fiber Bonded (Blue)	Fire retardant binder	International Cross Reference No: 3839326C1	3199086
7 7/16" (189mm)	4 9/16" (116mm)	1/2" (12.7mm)	Polyurethane Foam	Air filter		3175008
7 13/16" (198.5mm)	6 3/16" (157mm)	3/4" (19.1mm)	Fiber	Cabin air filter	International Cross Reference No: ZGG720014, Freightliner Cross Reference No: N10G-91595	3112009
8 7/16" (214mm)	10 1/16" (256mm)	1/2" (12.7mm)	Fiber	Cabin air filter	International Cross Reference No: ZGG739227, Volvo Cross Reference No: BSM1000183201, Mack Cross Reference No: 7787-1000183201, Freightliner Cross Reference No: BSM 1000183201	4475023
8 1/2" (215.9mm)	7 5/8" (193.7mm)	1" (25.4mm)		Pleated cabin air filter	International Cross Reference No: ZGG720000, Volvo Cross Reference No: 85103415, Freightliner Cross Reference No: A22-46891-000	3112005
8 1/2" (215.9mm)	14 1/4" (362mm)	2 3/16" (55.5mm)		Air filter kit option	International Cross Reference No: ZGG733103, Volvo Cross Reference No: BSM626001	3475056
8 1/2" (215.9mm)	14 1/4" (362mm)	2 3/16" (55.5mm)		Fresh air filter kit	International Cross Reference No: ZGG733104, Volvo Cross Reference No: BSM626003	3475057
8 5/8" (219mm)	7 5/8" (193.7mm)	3/4" (19.1mm)	Fiber	Cabin air filter	International Cross Reference No: ZGG720010	3112001
8 5/8" (219mm)	8 1/4" (209.6mm)	1" (25.4mm)		Pleated cabin air filter	International Cross Reference No: ZGG720018, Freightliner Cross Reference No: ABP N10G 36000006	3112012
8 5/8" (219mm)	8 3/8" (212.9mm)	1/4" (6.4mm)		Aluminum frame; expanded aluminum pad	International Cross Reference No: ZGG720044, Freightliner Cross Reference No: 22-62199-000	3199076
8 3/4" (222mm)	7 7/8" (199.5mm)	1/4" (6.4mm)		Recirculated air filter; Aluminum frame; expanded aluminum pad	International Cross Reference No: ZGG720003, Volvo Cross Reference No: 85101012, Freightliner Cross Reference No: BSM 525406	3199027
8 15/16" (226mm)	9" (228.6mm)	5/16" (8mm)		Aluminum frame; expanded aluminum pad	International Cross Reference No: ZGG720002, Volvo Cross Reference No: 85101011, Freightliner Cross Reference No: 65-00193-00	3199025
9 3/16" (233mm)	9 3/16" (233mm)	5/8" (16mm)	Poly-Flo Polyester (Blue)	Fire retardant air filter	Freightliner Cross Reference No: BSM 1000186314	3199081
9 1/4" (234mm)	10 1/2" (266.7mm)	1/2" (12.7mm)	Poly fibers bonded	Washable air filter with flame retardant binder	International Cross Reference No: 481813C1, Volvo Cross Reference No: BSM626005	3113001
10" (254mm)	13 11/16" (347mm)	1/2" (12.7mm)	Poly fibers bonded	Washable air filter with flame retardant binder	International Cross Reference No: 1699956C1, Volvo Cross Reference No: BSM626008, Freightliner Cross Reference No: RDH RD5 10775 0	3113004
10" (254mm)	9 13/16" (249mm)	1" (25.4mm)	Poly-Flo Polyester (Blue)	Fire retardant air filter	Mack Cross Reference No: 3543-H9638	3115001
10" (254mm)	7 15/16" (202mm)	7/8" (23mm)		Pleated LC air filter	Peterbilt Cross Reference No: 5S014010, International Cross Reference No: ZGG720048	3117003
10" (254mm)	8 15/16" (227.1mm)	2 3/16" (55.5mm)		Pleated with Frame	Freightliner Cross Reference No: KYS 407294	3199007
10 1/16" (258mm)	5 1/4" (132.5mm)	1/4" (6.4mm)	Fiber	Cabin air filter	International Cross Reference No: ZGG720016, Freightliner Cross Reference No: BOA 91621	3112010
10 3/8" (263.7mm)	3 3/8" (85.9mm)	3/8" (10mm)	Foam pad	Tin plated steel frame; expanded aluminum		3199017
10 1/2" (266.7mm)	10 1/2" (266.7mm)	3/4" (19.1mm)	Paper with plastic frame	Cabin air filter	International Cross Reference No: ZGG720001, Volvo Cross Reference No: 85103416, Freightliner Cross Reference No: 22-44665-000	3112006
10 1/2" (266.7mm)	10 1/2" (266.7mm)	5/8" (16mm)	Poly-Flo Polyester (Blue)	Fire retardant air filter	International Cross Reference No: ZGG720011, Mack Cross Reference No: 7787-525784, Freightliner Cross Reference No: RDH RD5 10593 0	3199030
10 1/2" (266.7mm)	4 1/2" (114.3mm)	7/16" (11.2mm)		Aluminum frame	Freightliner Cross Reference No: BSM 525169	3199035

Air Filter Specifications

Length	Height	Width	Material	Description	Application	Part No
10 5/8" (269.9mm)	10 5/8" (269.9mm)	1" (25.4mm)		Pleated air filter	International Cross Reference No: ZGG720012, Freightliner Cross Reference No: VCC T1000921S	3112007
10 13/16" (275mm)	8 1/8" (206mm)	13/16" (20mm)	Foam	Reticulated air filter with Biocide in Frame	Peterbilt Cross Reference No: 18-04345, International Cross Reference No: ZGG720041	3117001
10 13/16" (275mm)	11 13/16" (300mm)	1/2" (12.7mm)	Poly-Flo Polyester (Blue)	Washable air filter with fire retardant	International Cross Reference No: 1696834C1, Freightliner Cross Reference No: BSM 327380	3199020
11" (279.4mm)	8" (203.2mm)	7/8" (23mm)		Aluminum frame; expanded aluminum pad		3199002
11" (279.4mm)	4 1/8" (105mm)	1/2" (12.7mm)	Black Polyurethane Foam	Recirculated air filter		3199091
11 1/8" (283.2mm)	10" (254mm)	1/4" (6.4mm)		Aluminum frame; expanded aluminum pad	International Cross Reference No: 2211904C1	3113009
11 3/16" (285mm)	17 1/2" (444mm)	1/4" (6.4mm)		Aluminum frame; expanded aluminum pad	International Cross Reference No: ZGG720033	3199065
11 1/4" (285.8mm)	10 5/16" (261.9mm)	1/4" (6.4mm)		Aluminum frame; expanded aluminum pad	Freightliner Cross Reference No: BSM 584220	3299044
11 1/2" (292.1mm)	9 3/4" (247.6mm)	2 3/16" (55.5mm)		Pleated with Frame		3175001
11 3/4" (298.4mm)	10 1/2" (266.7mm)	3/4" (19.1mm)		Pleated air filter	International Cross Reference No: ZGG720019, Western Star Cross Reference No: WWS RD-3- 8416-0	3119001
11 3/4" (298.4mm)	6" (152mm)	1 1/2" (38.1mm)	Polyurethane Foam	Frame		3199010
11 7/8" (301mm)	10 1/8" (257mm)	1/4" (6.4mm)		Aluminum frame; expanded aluminum pad	International Cross Reference No: ZGG720040	3199079
11 15/16" (303mm)	3" (76mm)	1" (25.4mm)		Pleated air filter	International Cross Reference No: ZGG720024	3114002
12" (304.8mm)	12 5/16" (311.9mm)	1 1/8" (28.6mm)		Pleated air filter	International Cross Reference No: ZGG720021, Volvo Cross Reference No: 20435801	3118003
12" (304.8mm)	9 1/4" (235mm)	1/4" (6.4mm)		Aluminum frame; expanded aluminum pad	Freightliner Cross Reference No: BSM 584200	3199046
12 1/16" (305mm)	3 1/8" (79mm)	1" (25.4mm)	Poly Fiber Bonded	Flame retardant binder	International Cross Reference No: ZGG720026	3114003
12 1/8" (308.4mm)	8 1/4" (209.6mm)	1/4" (6.4mm)		Aluminum frame; expanded aluminum pad	International Cross Reference No: ZGG720023, VFreightliner Cross Reference No: BSM 526431	3199067
12 1/4" (311.5mm)	10 1/4" (260mm)	1/4" (6.4mm)		Aluminum frame; expanded aluminum pad	International Cross Reference No: ZGG720004, Volvo Cross Reference No: 85101010, Freightliner Cross Reference No: BSM 525458	3199031
12 3/8" (314mm)	6 1/4" (158.5mm)	1 1/8" (28.6mm)		Pleated polyester filter	International Cross Reference No: 3839141C1	3199085
12 7/16" (316mm)	7 3/8" (187mm)	3/8" (9.5mm)	Polyether			3112014
12 7/16" (316mm)	6" (152mm)	1/4" (6.4mm)		Recirculated air filter; Aluminum frame; expanded aluminum pad	International Cross Reference No: ZGG720034, Freightliner Cross Reference No: BSM 525801	3199071
12 7/16" (316mm)	7 3/8" (187mm)	1/2" (12.7mm)	Poly-Flo Polyester (Blue)	Washable air filter with fire retardant	International Cross Reference No: 3685805C1, Freightliner Cross Reference No: BSM 1000004716	3199084
12 1/2" (317.5mm)	13 1/2" (343mm)	1" (25.4mm)	Poly fibers bonded	Washable air filter with flame retardant binder	International Cross Reference No: 498144C1, Volvo Cross Reference No: BSM626007	3113003
12 1/2" (317.5mm)	8 1/2" (215.9mm)	3/4" (19.1mm)		Pleated air filter	International Cross Reference No: ZGG720020, Volvo Cross Reference No: 3948712	3118002
12 1/2" (317.5mm)	4 1/2" (114.3mm)	1/2" (12.7mm)	Polyester Polyurethane Foam	Frame	International Cross Reference No: ZGH733100, Volvo Cross Reference No: BSM626004	3175006
12 5/8" (320mm)	8 3/4" (223mm)	5/8" (16mm)		Recirculated air filter	Peterbilt Cross Reference No: 5S013817, International Cross Reference No: ZGG720043,	3117002
12 3/4" (323mm)	7 1/4" (185mm)	1" (25.4mm)		Pleated air filter	International Cross Reference No: 2506656C2	3113006

Air Filter Specifications

Air Filter Specifications

Length	Height	Width	Material	Description	Application	Part No
12 7/8" (327.2mm)	12 7/8" (327.2mm)	1/2" (12.7mm)		Aluminum frame	International Cross Reference No: ZGG720015, Freightliner Cross Reference No: KYS 407234	3199005
12 15/16" (329mm)	12 3/4" (324mm)	1/2" (12.7mm)	Black Filter Foam	Fire retardant air filter	International Cross Reference No: ZGG720007, Volvo Cross Reference No: BSM525600, Freightliner Cross Reference No: BSM 525600	3199053
12 15/16" (329mm)	12 3/4" (324mm)	5/8" (16mm)	Poly-Flo Polyester (Blue)	Fire retardant air filter	International Cross Reference No: ZGG720045	3199082
13" (330mm)	2 13/16" (71.2mm)	3/16" (4.6mm)		Aluminum frame; expanded aluminum pad	International Cross Reference No: ZGG720009, Volvo Cross Reference No: 85101014, Freightliner Cross Reference No: BSM 525802	3199055
13" (330mm)	9 13/16" (249mm)	7/16" (11.2mm)	Polyurethane Black Foam	Aluminum housing	International Cross Reference No: ZGG720025	3199069
13" (330mm)	9" (228.6mm)	1/8" (3.2mm)	Foam			3199096
13 7/16" (340.4mm)	10" (254mm)	7/8" (23mm)	Foam Pad	Aluminum frame; expanded aluminum	International Cross Reference No: ZGG720022	3114001
13 1/2" (342.9mm)	12 7/8" (327.2mm)	1/2" (12.7mm)		Aluminum frame		3199004
13 11/16" (348mm)	10 13/16" (275mm)	1/4" (6.4mm)		Aluminum frame; expanded aluminum pad	International Cross Reference No: 446637001	3199072
13 3/4" (349.3mm)	10" (254mm)	1" (25.4mm)	Poly-Flo Polyester (Blue)	Fire retardant air filter	Peterbilt Cross Reference No: 525838, International Cross Reference No: ZGG720028	3199021
14" (355.6mm)	11" (279.4mm)	1/16" (2mm)		Aluminum frame; expanded aluminum pad	Freightliner Cross Reference No: BSM 540900	3199047
14" (355.6mm)	12 3/4" (324mm)	1/4" (6.4mm)		Aluminum frame; expanded aluminum pad		3199048
14 1/4" (362mm)	8 1/4" (209.6mm)	1/2" (12.7mm)		Aluminum frame		3199006
14 1/4" (362mm)	8 1/2" (215.9mm)	2 3/16" (55.5mm)		Pleated with frame		3199008
14 3/8" (365mm)	10" (254mm)	5/8" (16mm)		Filter, Heater - FE BUS	International Cross Reference No: 2593515C1	3199088
14 11/16" (373.4mm)	9 3/8" (237.7mm)	1" (25.4mm)	Poly-Flo Polyester (Blue)	Fire retardant air filter	Freightliner Cross Reference No: BSM 526036	3199094
14 13/16" (377mm)	5" (127mm)	1/2" (12.7mm)	Foam	Air filter		3199036
14 15/16" (378mm)	3 3/16" (80.5mm)	3/8" (10mm)		Recirculated air filter		3175012
15" (381mm)	3 1/4" (82.6mm)	5/16" (8mm)	Foam pad	Recirculated air filter; Tin plated steel frame; expanded aluminum		3175004
15" (381mm)	15" (381mm)	2 3/16" (55.5mm)		Pleated with Frame		3199003
15" (381mm)	15" (381mm)	2 3/16" (55.5mm)		Filter slim kit	International Cross Reference No: ZGG733539	3475053
15 1/8" (384.2mm)	10 3/4" (273mm)	1" (25.4mm)		Pleated with frame	International Cross Reference No: 480836C1, Volvo Cross Reference No: BSM626006	3113005
15 1/8" (384.2mm)	6" (152mm)	1/4" (6.4mm)		Aluminum frame; expanded aluminum pad		3199095
15 3/8" (390.5mm)	10 1/16" (256mm)	5/16" (8mm)		Aluminum frame; expanded aluminum pad	International Cross Reference No: ZGG720047, Freightliner Cross Reference No: BSM 525259	3199052
16 7/16" (418mm)	14" (355.5mm)	1/2" (12.7mm)		Aluminum frame; expanded aluminum pad	International Cross Reference No: ZGG720030, Freightliner Cross Reference No: BSM 525836	3199064
16 7/16" (418mm)	16 11/16" (423.8mm)	1/4" (6.4mm)		Aluminum frame; expanded aluminum pad	International Cross Reference No: 2509228C1	3199073
16 1/2" (418.6mm)	13 15/16" (354.1mm)	1/4" (6.4mm)		Aluminum frame; expanded aluminum pad	International Cross Reference No: 441537001	3199090
16 5/8" (422.2mm)	10 3/8" (263.5mm)	1/4" (6.4mm)		Aluminum frame; expanded aluminum pad	International Cross Reference No: 437528001	3113007

Air Filter Specifications

Length	Height	Width	Material	Description	Application	Part No
16 3/4" (426mm)	6" (152mm)	1/4" (6.4mm)		Aluminum frame; expanded aluminum pad		3199087
17 1/2" (445mm)	7 7/8" (199.5mm)	3/16" (4.6mm)		Recirculated air filter; Aluminum frame; expanded aluminum pad	International Cross Reference No: ZGG720046, Freightliner Cross Reference No: BSM 525209	3199041
17 3/4" (450.9mm)	6 1/2" (165.1mm)	1/2" (12.7mm)		Plastic frame		3199016
18" (457.2mm)	9" (228.6mm)	1/16" (2mm)		Aluminum frame; expanded aluminum pad	Freightliner Cross Reference No: BSM 542300	3199028
18 1/8" (460mm)	4 15/16" (125mm)	3/8" (10mm)	Mesh	Aluminum frame; expanded aluminum pad		3199033
18 3/8" (467.1mm)	4 1/8" (105mm)	3/8" (10mm)		Aluminum frame; expanded aluminum pad		3117004
18 13/16" (427.5mm)	3 5/8" (92.5mm)	3/8" (10mm)		Recirculated air filter		3175014
18 15/16" (481.5mm)	5 13/16" (148.5mm)	1/2" (12.7mm)	Polyester Polyurethane Foam			3175011
19 1/4" (489mm)	8" (203.2mm)	5/16" (8mm)		Aluminum frame; expanded aluminum pad	International Cross Reference No: ZGG720027	3199034
19 1/4" (489mm)	10 7/8" (275.5mm)	1/2" (12.7mm)	Polyurethane Black Foam	Aluminum housing	International Cross Reference No: ZGG720029	3199068
19 1/2" (495.3mm)	3 7/8" (98.6mm)	7/16" (11.2mm)	Foam	Frame		3175009
19 1/2" (495.3mm)	10" (254mm)	1/8" (3.2mm)	Foam			3475011
20" (508mm)	6 5/16" (160mm)	1/2" (12.7mm)	Foam		Volvo Cross Reference No: 37351	3175002
20 1/16" (510mm)	4 1/4" (108mm)	3/8" (10mm)		Recirculated air filter		3175013
20 1/16" (510mm)	6 7/8" (174mm)	1 1/2" (38.1mm)		Recirculated air filter		3199093
20 1/8" (511.8mm)	10" (254mm)	1/4" (6.4mm)		Aluminum frame; expanded aluminum pad	International Cross Reference No: 2211903C1	3113008
20 3/16" (511.8mm)	11" (279.4mm)	7/16" (11.2mm)		Aluminum frame; expanded aluminum pad		3199083
20 1/4" (514.4mm)	10 5/16" (261.9mm)	1/4" (6.4mm)		Aluminum frame; expanded aluminum pad		3199049
20 3/8" (517.5mm)	11" (279.4mm)	1/4" (6.4mm)		Aluminum frame; expanded aluminum pad	International Cross Reference No: 437122022	3199011
20 3/8" (517.5mm)	4 7/8" (123.2mm)	2 3/16" (55.5mm)	Polyester Polyurethane Foam	Frame		3199015
21" (533.4mm)	9 1/4" (235mm)	1/4" (6.4mm)		Aluminum frame; expanded aluminum pad		3199050
22" (558.8mm)	5" (127mm)	1/2" (12.7mm)	Fiber Bond			3475017
22 1/8" (562mm)	10 1/8" (257mm)	1/4" (6.4mm)		Aluminum frame; expanded aluminum pad	International Cross Reference No: ZGG720035	3199078
22 1/4" (565.2mm)	4 5/8" (117.3mm)	7/16" (11.2mm)	Black Filter Foam	Fire retardant with plastic screen 1-sided		3475019
22 9/16" (572.5mm)	10 1/4" (260mm)	1/4" (6.4mm)		Aluminum frame; expanded aluminum pad	International Cross Reference No: ZGG720005, Volvo Cross Reference No: 85101009	3199032
23" (584mm)	10 5/8" (269.9mm)	1/2" (12.7mm)	Poly-Flo Polyester (Blue)	Recirculated air filter with fire retardant	International Cross Reference No: 2607912C1	3199092
23 1/4" (591mm)	10 5/8" (269.9mm)	1/4" (6.4mm)		Aluminum frame; expanded aluminum pad	International Cross Reference No: 2507220C1	3199066
23 1/4" (591mm)	10 5/8" (269.9mm)	1/2" (12.7mm)	Poly-Flo Polyester (Blue)	Recirculated air filter with fire retardant	International Cross Reference No: 2585992C1	3199074

Air Filter Specifications

Air Filter Specifications

Length	Height	Width	Material	Description	Application	Part No
23 1/2" (596.9mm)	5" (127mm)	1/4" (6.4mm)		Recirculated air filter; Aluminum frame; expanded aluminum pad	International Cross Reference No: ZGG720032	3199022
24" (609.6mm)	7" (177.8mm)	2 3/16" (55.5mm)		Pleated with Frame	International Cross Reference No: ZGG720042	3175003
24" (609.6mm)	10" (254mm)	7/16" (11.2mm)	Black Filter Foam	Fire retardant air filter	International Cross Reference No: ZGG720031	3199009
24" (609.6mm)	10 1/2" (266.7mm)	1/8" (3.2mm)		Aluminum frame		3199029
24 3/16" (613.9mm)	4 1/4" (108mm)	1/2" (12.7mm)	Polyester Polyurethane Foam		International Cross Reference No: ZGH733099, Volvo Cross Reference No: BSM626000	3175005
28" (711.2mm)	6" (152mm)	1/16" (2mm)		Aluminum frame; expanded aluminum pad	International Cross Reference No: ZGG720037, Freightliner Cross Reference No: BSM 550800	3199060
28" (711.2mm)	7 1/2" (190.5mm)	2 3/16" (55.5mm)	Cellulose Pad	Aluminum frame; expanded aluminum		3475018
28 5/16" (719mm)	8" (203.2mm)	5/8" (16mm)	Poly-Flo Polyester (Blue)	Fire retardant air filter	International Cross Reference No: ZGG720039	3199018
28 5/16" (719mm)	8 3/4" (223mm)	1/2" (12.7mm)	Poly-Flo Polyester (Blue)	Recirculated air filter with fire retardant		3199080
28 1/2" (724mm)	8 1/4" (209.6mm)	1/4" (6.4mm)		Aluminum frame; expanded aluminum pad		3199044
28 1/2" (724mm)	7 1/16" (180mm)	1/4" (6.4mm)		Recirculated air filter; Aluminum frame; expanded aluminum pad	International Cross Reference No: ZGG720006, Volvo Cross Reference No: 85101005	3199045
30 1/4" (768mm)	6 5/16" (160mm)	1/2" (12.7mm)	Poly-Flo Polyester (Blue)	Fire retardant air filter	International Cross Reference No: ZGG720036	3199070
33 1/16" (840mm)	10 3/8" (263.5mm)	3/16" (4mm)		Recirculated air filter; Aluminum frame; expanded aluminum pad	International Cross Reference No: ZGG720008, Volvo Cross Reference No: 85101013, Freightliner Cross Reference No: TBB 85660760	3199054
33 5/8" (854mm)	4 5/8" (117.3mm)	7/16" (11.2mm)	Black Filter Foam	Fire retardant with plastic screen 1-sided		3475020

Part No: 3112001



Length: 8 5/8" (219mm)
 Width: 3/4" (19.1mm)
 Height: 7 5/8" (193.7mm)
 Material: Fiber
 Description: Cabin air filter
 International Cross Reference No: ZGG720010

Part No: 3112005



Length: 8 1/2" (215.9mm)
 Width: 1" (25.4mm)
 Height: 7 5/8" (193.7mm)
 Description: Pleated cabin air filter
 International Cross Reference No: ZGG720000
 Volvo Cross Reference No: 85103415
 Freightliner Cross Reference No: A22-46891-000

Part No: 3112006



Length: 10 1/2" (266.7mm)
 Width: 3/4" (19.1mm)
 Height: 10 1/2" (266.7mm)
 Material: Paper with plastic frame
 Description: Cabin air filter
 International Cross Reference No: ZGG720001
 Volvo Cross Reference No: 85103416
 Freightliner Cross Reference No: 22-44665-000

Part No: 3112007



Length: 10 5/8" (269.9mm)
 Width: 1" (25.4mm)
 Height: 10 5/8" (269.9mm)
 Description: Pleated
 International Cross Reference No: ZGG720012
 Freightliner Cross Reference No: VCC T1000921S

Part No: 3112009



Length: 13/16" (198.5mm)
 Width: 3/4" (19.1mm)
 Height: 6 3/16" (157mm)
 Material: Fiber
 Description: Cabin air filter
 International Cross Reference No: ZGG720014
 Freightliner Cross Reference No: N10G-91595

Part No: 3112010



Length: 10 1/16" (258mm)
 Width: 1/4" (6.4mm)
 Height: 5 1/4" (132.5mm)
 Material: Fiber
 Description: Cabin air filter
 International Cross Reference No: ZGG720016
 Freightliner Cross Reference No: BOA 91621

Part No: 3112012



Length: 8 5/8" (219mm)
 Width: 1" (25.4mm)
 Height: 8 1/4" (209.6mm)
 Description: Pleated cabin air filter
 International Cross Reference No: ZGG720018
 Freightliner Cross Reference No: ABP N10G 36000006

Part No: 3112014



Length: 12 7/16" (316mm)
 Width: 3/8" (9.5mm)
 Height: 7 3/8" (187mm)
 Material: Polyether

Part No: 3113001



Length: 9 1/4" (234mm)
 Width: 1/2" (12.7mm)
 Height: 10 1/2" (266.7mm)
 Material: Poly fibers bonded
 Description: Washable air filter with flame retardant binder
 International Cross Reference No: 481813C1
 Volvo Cross Reference No: BSM626005

Air Filters

Part No: 3113003

Length: 12 1/2" (317.5mm)

Width: 1" (25.4mm)

Height: 13 1/2" (343mm)

Material: Poly fibers bonded

Description: Washable air filter with flame retardant binder

International Cross Reference No: 498144C1

Volvo Cross Reference No: BSM626007

Part No: 3113004

Length: 10" (254mm)

Width: 1/2" (12.7mm)

Height: 13 11/16" (347mm)

Material: Poly fibers bonded

Description: Washable air filter with flame retardant binder

International Cross Reference No: 1699956C1

Volvo Cross Reference No: BSM626008

Freightliner Cross Reference No: RDH RD5 10775 0

Part No: 3113005

Length: 15 1/8" (384.2mm)

Width: 1" (25.4mm)

Height: 10 3/4" (273mm)

Description: Pleated with frame

International Cross Reference No: 480836C1

Volvo Cross Reference No: BSM626006

Part No: 3113006

Length: 12 3/4" (323mm)

Width: 1" (25.4mm)

Height: 7 1/4" (185mm)

Description: Pleated air filter

International Cross Reference No: 2506656C2

Part No: 3113007

Length: 16 5/8" (422.2mm)

Width: 1/4" (6.4mm)

Height: 10 3/8" (263.5mm)

Description: Aluminum frame; expanded aluminum pad

International Cross Reference No: 437528001

Part No: 3113008

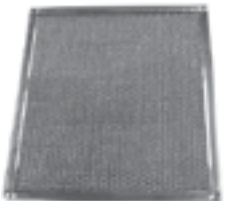
Length: 20 1/8" (511.8mm)

Width: 1/4" (6.4mm)

Height: 10" (254mm)

Description: Aluminum frame; expanded aluminum pad

International Cross Reference No: 2211903C1

Part No: 3113009

Length: 11 1/8" (283.2mm)

Width: 1/4" (6.4mm)

Height: 10" (254mm)

Description: Aluminum frame; expanded aluminum pad

International Cross Reference No: 2211904C1

Part No: 3114001

Length: 13 7/16" (340.4mm)

Width: 7/8" (23mm)

Height: 10" (254mm)

Material: Foam pad

Description: Aluminum frame; expanded aluminum

International Cross Reference No: ZGG720022

Part No: 3114002

Length: 11 15/16" (303mm)

Width: 1" (25.4mm)

Height: 3" (76mm)

Description: Pleated air filter

International Cross Reference No: ZGG720024

Part No: 3114003



Length: 12 1/16" (305mm)
 Width: 1" (25.4mm)
 Height: 3 1/8" (79mm)
 Material: Poly Fiber Bonded
 Description: Flame retardant binder
 International Cross Reference No: ZGG720026

Part No: 3115001



Length: 10" (254mm)
 Width: 1" (25.4mm)
 Height: 9 13/16" (249mm)
 Material: Poly-Flo Polyester (Blue)
 Description: Fire retardant air filter
 Mack Cross Reference No: 3543-H9638

Part No: 3117001



Length: 10 13/16" (275mm)
 Width: 13/16" (20mm)
 Height: 8 1/8" (206mm)
 Material: Foam
 Description: Reticulated air filter with Biocide in Frame
 Peterbilt Cross Reference No: 18-04345
 International Cross Reference No: ZGG720041

Part No: 3117002



Length: 12 5/8" (320mm)
 Width: 5/8" (16mm)
 Height: 8 3/4" (223mm)
 Description: Recirculated air filter
 Peterbilt Cross Reference No: 5S013817
 International Cross Reference No: ZGG720043

Part No: 3117003



Length: 10" (254mm)
 Width: 7/8" (23mm)
 Height: 7 15/16" (202mm)
 Description: Pleated LC air filter
 Peterbilt Cross Reference No: 5S014010
 International Cross Reference No: ZGG720048

Part No: 3117004



Length: 18 3/8" (467.1mm)
 Width: 3/8" (10mm)
 Height: 4 1/8" (105mm)
 Description: Aluminum frame; expanded aluminum pad

Part No: 3118002



Length: 12 1/2" (317.5mm)
 Width: 3/4" (19.1mm)
 Height: 8 1/2" (215.9mm)
 Description: Pleated air filter
 International Cross Reference No: ZGG720020
 Volvo Cross Reference No: 3948712

Part No: 3118003



Length: 12" (304.8mm)
 Width: 1 1/8" (28.6mm)
 Height: 12 5/16" (311.9mm)
 Description: Pleated air filter
 International Cross Reference No: ZGG720021
 Volvo Cross Reference No: 20435801

Part No: 3119001



Length: 11 3/4" (298.4mm)
 Width: 3/4" (19.1mm)
 Height: 10 1/2" (266.7mm)
 Description: Pleated air filter
 International Cross Reference No: ZGG720019
 Western Star Cross Reference No: WWS RD-3-8416-0

Air Filters

Part No: 3175001

Length: 11 1/2" (292.1mm)

Width: 2 3/16" (55.5mm)

Height: 9 3/4" (247.6mm)

Description: Pleated with Frame

Part No: 3175002

Length: 20" (508mm)

Width: 1/2" (12.7mm)

Height: 6 5/16" (160mm)

Material: Foam

Volvo Cross Reference No: 37351

Part No: 3175003

Length: 24" (609.6mm)

Width: 2 3/16" (55.5mm)

Height: 7" (177.8mm)

Description: Pleated with Frame

International Cross Reference No: ZGG720042

Part No: 3175004

Length: 15" (381mm)

Width: 5/16" (8mm)

Height: 3. 1/4" (82.6mm)

Material: Foam pad

Description: Recirculated air filter; Tin plated steel frame; expanded aluminum

Part No: 3175005

Length: 24 3/16" (613.9mm)

Width: 1/2" (12.7mm)

Height: 4 1/4" (108mm)

Material: Polyester polyurethane foam

International Cross Reference No: ZGH733099

Volvo Cross Reference No: BSM626000

Part No: 3175006

Length: 12 1/2" (317.5mm)

Width: 1/2" (12.7mm)

Height: 4 1/2" (114.3mm)

Material: Polyester Polyurethane Foam

Description: Frame

International Cross Reference No: ZGH733100

Volvo Cross Reference No: BSM626004

Part No: 3175008

Length: 7 7/16" (189mm)

Width: 1/2" (12.7mm)

Height: 4 9/16" (116mm)

Material: Polyurethane Foam

Part No: 3175009

Length: 19 1/2" (495.3mm)

Width: 7/16" (11.2mm)

Height: 3 7/8" (98.6mm)

Material: Foam

Description: Frame

Part No: 3175011

Length: 18 15/16" (481.5mm)

Width: 1/2" (12.7mm)

Height: 5 13/16" (148.5mm)

Material: Polyester polyurethane foam

Part No: 3175012

Length: 14 15/16" (378mm)
Width: 3/8" (10mm)
Height: 3 3/16" (80.5mm)
Description: Recirculated air filter

Part No: 3175013


Length: 20 1/16" (510mm)
Width: 3/8" (10mm)
Height: 4 1/4" (108mm)
Description: Recirculated air filter

Part No: 3175014

Length: 18 13/16" (427.5mm)
Width: 3/8" (10mm)
Height: 3 5/8" (92.5mm)
Description: Recirculated air filter

Part No: 3199002

Length: 11" (279.4mm)
Width: 7/8" (23mm)
Height: 8" (203.2mm)
Description: Aluminum frame; expanded aluminum pad

Part No: 3199003

Length: 15" (381mm)
Width: 2 3/16" (55.5mm)
Height: 15" (381mm)
Description: Pleated with Frame

Part No: 3199004

Length: 13 1/2" (342.9mm)
Width: 1/2" (12.7mm)
Height: 12 7/8" (327.2mm)
Description: Aluminum frame

Part No: 3199005

Length: 12 7/8" (327.2mm)
Width: 1/2" (12.7mm)
Height: 12 7/8" (327.2mm)
Description: Aluminum frame
International Cross Reference No: ZGG720015
Freightliner Cross Reference No: KYS 407234

Part No: 3199006

Length: 14 1/4" (362mm)
Width: 1/2" (12.7mm)
Height: 8 1/4" (209.6mm)
Description: Aluminum frame

Part No: 3199007

Length: 10" (254mm)
Width: 2 3/16" (55.5mm)
Height: 8 15/16" (227.1mm)
Description: Pleated with Frame
Freightliner Cross Reference No: KYS 407294

Air Filters

Part No: 3199008

Length: 14 1/4" (362mm)

Width: 2 3/16" (55.5mm)

Height: 8 1/2" (215.9mm)

Description: Pleated with frame

Part No: 3199009

Length: 24" (609.6mm)

Width: 7/16" (11.2mm)

Height: 10" (254mm)

Material: Black Filter Foam

Description: Fire retardant air filter

International Cross Reference No: ZGG720031

Part No: 3199010

Length: 11 3/4" (298.4mm)

Width: 1 1/2" (38.1mm)

Height: 6" (152mm)

Material: Polyurethane Foam

Description: Frame

Part No: 3199011

Length: 20 3/8" (517.5mm)

Width: 1/4" (6.4mm)

Height: 11" (279.4mm)

Description: Aluminum frame; expanded aluminum pad

International Cross Reference No: 437122022

Part No: 3199014

Length: 4 1/4" (108mm)

Width: 1/4" (6.4mm)

Height: 4" (102mm)

Part No: 3199015

Length: 20 3/8" (517.5mm)

Width: 2 3/16" (55.5mm)

Height: 4 7/8" (123.2mm)

Material: Polyester Polyurethane Foam

Description: Frame

Part No: 3199016

Length: 17 3/4" (450.9mm)

Width: 1/2" (12.7mm)

Height: 6 1/2" (165.1mm)

Description: Plastic frame

Part No: 3199017

Length: 10 3/8" (263.7mm)

Width: 3/8" (10mm)

Height: 3 3/8" (85.9mm)

Material: Foam pad

Description: Tin plated steel frame; expanded aluminum / foam pad

Part No: 3199018

Length: 28 5/16" (719mm)

Width: 5/8" (16mm)

Height: 8" (203.2mm)

Material: Poly-Flo Polyester (Blue)

Description: Fire retardant air filter

International Cross Reference No: ZGG720039

Part No: 3199020



Length: 10 13/16" (275mm)
Width: 1/2" (12.7mm)
Height: 11 13/16" (300mm)
Material: Poly-Flo Polyester (Blue)
Description: Washable air filter with fire retardant
International Cross Reference No: 1696834C1
Freightliner Cross Reference No: BSM 327380

Part No: 3199021



Length: 13 3/4" (349.3mm)
Width: 1" (25.4mm)
Height: 10" (254mm)
Material: Poly-Flo Polyester (Blue)
Description: Fire retardant air filter
Peterbilt Cross Reference No: 525838
International Cross Reference No: ZGG720028

Part No: 3199022



Length: 23 1/2" (596.9mm)
Width: 1/4" (6.4mm)
Height: 5" (127mm)
Description: Recirculated air filter; Aluminum frame; expanded aluminum pad
International Cross Reference No: ZGG720032

Part No: 3199025



Length: 8 15/16" (226mm)
Width: 5/16" (8mm)
Height: 9" (228.6mm)
Description: Aluminum frame; expanded aluminum pad
International Cross Reference No: ZGG720002
Volvo Cross Reference No: 85101011
Freightliner Cross Reference No: 65-00193-00

Part No: 3199027



Length: 8 3/4" (222mm)
Width: 1/4" (6.4mm)
Height: 7 7/8" (199.5mm)
Description: Recirculated air filter; Aluminum frame; expanded aluminum pad
International Cross Reference No: ZGG720003
Volvo Cross Reference No: 85101012
Freightliner Cross Reference No: BSM 525406

Part No: 3199028



Length: 18" (457.2mm)
Width: 1/16" (2mm)
Height: 9" (228.6mm)
Description: Aluminum frame; expanded aluminum pad
Freightliner Cross Reference No: BSM 542300

Part No: 3199029



Length: 24" (609.6mm)
Width: 1/8" (3.2mm)
Height: 10 1/2" (266.7mm)
Description: Aluminum frame

Part No: 3199030



Length: 10 1/2" (266.7mm)
Width: 5/8" (16mm)
Height: 10 1/2" (266.7mm)
Material: Poly-Flo Polyester (Blue)
Description: Fire retardant air filter
International Cross Reference No: ZGG720011
Mack Cross Reference No: 7787-525784
Freightliner Cross Reference No: RDH RD5 10593 0

Part No: 3199031



Length: 12 1/4" (311.5mm)
Width: 1/4" (6.4mm)
Height: 10 1/4" (260mm)
Description: Aluminum frame; expanded aluminum pad
International Cross Reference No: ZGG720004
Volvo Cross Reference No: 85101010
Freightliner Cross Reference No: BSM 525458

Air Filters

Part No: 3199032

Length: 22 9/16" (572.5mm)

Width: 1/4" (6.4mm)

Height: 10 1/4" (260mm)

Description: Aluminum frame; expanded aluminum pad

International Cross Reference No: ZGG720005

Volvo Cross Reference No: 85101009

Part No: 3199033

Length: 18 1/8" (460mm)

Width: 3/8" (10mm)

Height: 4 15/16" (125mm)

Material: Mesh

Description: Aluminum frame; expanded aluminum pad

Part No: 3199034

Length: 19 1/4" (489mm)

Width: 5/16" (8mm)

Height: 8" (203.2mm)

Description: Aluminum frame; expanded aluminum pad

International Cross Reference No: ZGG720027

Part No: 3199035

Length: 10 1/2" (266.7mm)

Width: 7/16" (11.2mm)

Height: 4 1/2" (114.3mm)

Description: Aluminum frame

Freightliner Cross Reference No: BSM 525169

Part No: 3199036

Length: 14 13/16" (377mm)

Width: 1/2" (12.7mm)

Height: 5" (127mm)

Material: Foam

Part No: 3199041

Length: 17 1/2" (445mm)

Width: 3/16" (4.6mm)

Height: 7 7/8" (199.5mm)

Description: Recirculated air filter; Aluminum frame; expanded aluminum pad

International Cross Reference No: ZGG720046

Freightliner Cross Reference No: BSM 525209

Part No: 3199044

Length: 28 1/2" (724mm)

Width: 1/4" (6.4mm)

Height: 8 1/4" (209.6mm)

Description: Aluminum frame; expanded aluminum pad

Part No: 3199045

Length: 28 1/2" (724mm)

Width: 1/4" (6.4mm)

Height: 7 1/16" (180mm)

Description: Recirculated air filter; Aluminum frame; expanded aluminum pad

International Cross Reference No: ZGG720006

Volvo Cross Reference No: 85101005

Part No: 3199046

Length: 12" (304.8mm)

Width: 1/4" (6.4mm)

Height: 9 1/4" (235mm)

Description: Aluminum frame; expanded aluminum pad

Freightliner Cross Reference No: BSM 584200

Part No: 3199047



Length: 14" (355.6mm)

Width: 1/16" (2mm)

Height: 11" (279.4mm)

Description: Aluminum frame; expanded aluminum pad

Freightliner Cross Reference No: BSM 540900

Part No: 3199048



Length: 14" (355.6mm)

Width: 1/4" (6.4mm)

Height: 12 3/4" (324mm)

Description: Aluminum frame; expanded aluminum pad

Part No: 3199049



Length: 20 1/4" (514.4mm)

Width: 1/4" (6.4mm)

Height: 10 5/16" (261.9mm)

Description: Aluminum frame; expanded aluminum pad

Part No: 3199050



Length: 21" (533.4mm)

Width: 1/4" (6.4mm)

Height: 9 1/4" (235mm)

Description: Aluminum frame; expanded aluminum pad

International Cross Reference No: ZGG720038

Part No: 3199052



Length: 15 3/8" (390.5mm)

Width: 5/16" (8mm)

Height: 10 1/16" (256mm)

Description: Aluminum frame; expanded aluminum pad

International Cross Reference No: ZGG720047

Freightliner Cross Reference No: BSM 525259

Part No: 3199053



Length: 12 15/16" (329mm)

Width: 1/2" (12.7mm)

Height: 12 3/4" (324mm)

Material: Black Filter Foam

Description: Fire retardant air filter

International Cross Reference No: ZGG720007

Volvo Cross Reference No: BSM525600

Freightliner Cross Reference No: BSM 525600

Part No: 3199054



Length: 33 1/16" (840mm)

Width: 3/16" (4mm)

Height: 10 3/8" (263.5mm)

Description: Recirculated air filter; Aluminum frame; expanded aluminum pad

International Cross Reference No: ZGG720008

Volvo Cross Reference No: 85101013

Freightliner Cross Reference No: TBB 85660760

Part No: 3199055



Length: 13" (330mm)

Width: 3/16" (4.6mm)

Height: 2 13/16" (71.2mm)

Description: Aluminum frame; expanded aluminum pad

International Cross Reference No: ZGG720009

Volvo Cross Reference No: 85101014

Freightliner Cross Reference No: BSM 525802

Part No: 3199060



Length: 28" (711.2mm)

Width: 1/16" (2mm)

Height: 6" (152mm)

Description: Aluminum frame; expanded aluminum pad

International Cross Reference No: ZGG720037

Freightliner Cross Reference No: BSM 550800

Air Filters

Part No: 3199064

Length: 16 7/16" (418mm)

Width: 1/2" (12.7mm)

Height: 14" (355.5mm)

Description: Aluminum frame; expanded aluminum pad

International Cross Reference No: ZGG720030

Freightliner Cross Reference No: BSM 525836

Part No: 3199065

Length: 11 3/16" (285mm)

Width: 1/4" (6.4mm)

Height: 17 1/2" (444mm)

Description: Aluminum frame; expanded aluminum pad

International Cross Reference No: ZGG720033

Part No: 3199066

Length: 23 1/4" (591mm)

Width: 1/4" (6.4mm)

Height: 10 5/8" (269.9mm)

Description: Aluminum frame; expanded aluminum pad

International Cross Reference No: 2507220C1

Part No: 3199067

Length: 12 1/8" (308.4mm)

Width: 1/4" (6.4mm)

Height: 8 1/4" (209.6mm)

Description: Aluminum frame; expanded aluminum pad

International Cross Reference No: ZGG720023

Freightliner Cross Reference No: BSM 526431

Part No: 3199068

Length: 19 1/4" (489mm)

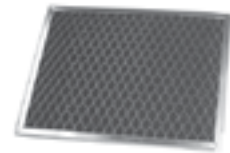
Width: 1/2" (12.7mm)

Height: 10 7/8" (275.5mm)

Material: Polyurethane Black Foam

Description: Aluminum housing filter

International Cross Reference No: ZGG720029

Part No: 3199069

Length: 13" (330mm)

Width: 7/16" (11.2mm)

Height: 9 13/16" (249mm)

Material: Polyurethane Black Foam

Description: Aluminum housing filter

International Cross Reference No: ZGG720025

Part No: 3199070

Length: 30 1/4" (768mm)

Width: 1/2" (12.7mm)

Height: 6 5/16" (160mm)

Material: Poly-Flo Polyester (Blue)

Description: Fire retardant air filter

International Cross Reference No: ZGG720036

Part No: 3199071

Length: 12 7/16" (316mm)

Width: 1/4" (6.4mm)

Height: 6" (152mm)

Description: Recirculated air filter; Aluminum frame; expanded aluminum pad

International Cross Reference No: ZGG720034

Freightliner Cross Reference No: BSM 525801

Part No: 3199072

Length: 13 11/16" (348mm)

Width: 1/4" (6.4mm)

Height: 10 13/16" (275mm)

Description: Aluminum frame; expanded aluminum pad

International Cross Reference No: 446637001

Part No: 3199073



Length: 16 7/16" (418mm)
 Width: 1/4" (6.4mm)
 Height: 16 11/16" (423.8mm)
 Description: Aluminum frame; expanded aluminum pad
 International Cross Reference No: 2509228C1

Part No: 3199074



Length: 23 1/4" (591mm)
 Width: 1/2" (12.7mm)
 Height: 10 5/8" (269.9mm)
 Material: Poly-Flo Polyester (Blue)
 Description: Recirculated air filter with fire retardant
 International Cross Reference No: 2585992C1

Part No: 3199076



Length: 8 5/8" (219mm)
 Width: 1/4" (6.4mm)
 Height: 8 3/8" (212.9mm)
 Description: Aluminum frame; expanded aluminum pad
 International Cross Reference No: ZGG720044
 Freightliner Cross Reference No: 22-62199-000

Part No: 3199078



Length: 22 1/8" (562mm)
 Width: 1/4" (6.4mm)
 Height: 10 1/8" (257mm)
 Description: Aluminum frame; expanded aluminum pad
 International Cross Reference No: ZGG720035

Part No: 3199079



Length: 11 7/8" (301mm)
 Width: 1/4" (6.4mm)
 Height: 10 1/8" (257mm)
 Description: Aluminum frame; expanded aluminum pad
 International Cross Reference No: ZGG720040

Part No: 3199080



Length: 28 5/16" (719mm)
 Width: 1/2" (12.7mm)
 Height: 8 3/4" (223mm)
 Material: Poly-Flo Polyester (Blue)
 Description: Recirculated air filter with fire retardant

Part No: 3199081



Length: 9 3/16" (233mm)
 Width: 5/8" (16mm)
 Height: 9 3/16" (233mm)
 Material: Poly-Flo Polyester (Blue)
 Description: Fire retardant air filter
 Freightliner Cross Reference No: BSM 1000186314

Part No: 3199082



Length: 12 15/16" (329mm)
 Width: 5/8" (16mm)
 Height: 12 3/4" (324mm)
 Material: Poly-Flo Polyester (Blue)
 Description: Fire retardant air filter
 International Cross Reference No: ZGG720045
 Freightliner Cross Reference No: BSM 526427

Part No: 3199083



Length: 20 3/16" (511.8mm)
 Width: 7/16" (11.2mm)
 Height: 11" (279.4mm)
 Description: Aluminum frame; expanded aluminum pad

Air Filters

Part No: 3199084

Length: 12 7/16" (316mm)

Width: 1/2" (12.7mm)

Height: 7 3/8" (187mm)

Material: Poly-Flo Polyester (Blue)

Description: Washable air filter with fire retardant

International Cross Reference No: 3685805C1

Freightliner Cross Reference No: BSM 1000004716

Part No: 3199085

Length: 12 3/8" (314mm)

Width: 1 1/8" (28.6mm)

Height: 6 1/4" (158.5mm)

Description: Pleated polyester filter

International Cross Reference No: 3839141C1

Part No: 3199086

Length: 6 15/16" (175.3mm)

Width: 1/2" (12.7mm)

Height: 4 1/8" (105mm)

Material: Polyester Fiber Bonded (Blue)

Description: Fire retardant binder

International Cross Reference No: 3839326C1

Part No: 3199087

Length: 16 3/4" (426mm)

Width: 1/4" (6.4mm)

Height: 6" (152mm)

Description: Aluminum frame; expanded aluminum pad

Part No: 3199088

Length: 14 3/8" (365mm)

Width: 5/8" (16mm)

Height: 10" (254mm)

Description: Filter, Heater - FE BUS

International Cross Reference No: 2593515C1

Part No: 3199089

Length: 6 1/4" (158.75mm)

Width: 7/16" (11.2mm)

Height: 13" (330.2mm)

Description: Aluminum frame; expanded aluminum pad

Part No: 3199090

Length: 16 1/2" (418.6mm)

Width: 1/4" (6.4mm)

Height: 13 15/16" (354.1mm)

Description: Aluminum frame; expanded aluminum pad

International Cross Reference No: 441537001

Part No: 3199091

Length: 11" (279.4mm)

Width: 1/2" (12.7mm)

Height: 4 1/8" (105mm)

Material: Black Polyurethane Foam

Description: Recirculated air filter

Part No: 3199092

Length: 23" (584mm)

Width: 1/2" (12.7mm)

Height: 10 5/8" (269.9mm)

Material: Poly-Flo Polyester (Blue)

Description: Recirculated air filter with fire retardant

International Cross Reference No: 2607912C1

Part No: 3199093



Length: 20 1/16" (510mm)
 Width: 1 1/2" (38.1mm)
 Height: 6 7/8" (174mm)
 Description: Recirculated air filter

Part No: 3199094



Length: 14 11/16" (373.4mm)
 Width: 1" (25.4mm)
 Height: 9 3/8" (237.7mm)
 Material: Poly-Flo Polyester (Blue)
 Description: Fire retardant
 Freightliner Cross Reference No: BSM 526036

Part No: 3199095



Length: 15 1/8" (384.2mm)
 Width: 1/4" (6.4mm)
 Height: 6" (152mm)
 Description: Aluminum frame; expanded aluminum pad

Part No: 3199096



Length: 13" (330mm)
 Width: 1/8" (3.2mm)
 Height: 9" (228.6mm)
 Material: Foam

Part No: 3299044



Length: 11 1/4" (285.8mm)
 Width: 1/4" (6.4mm)
 Height: 10 5/16" (261.9mm)
 Description: Aluminum frame; expanded aluminum pad
 Freightliner Cross Reference No: BSM 584220

Part No: 3475011



Length: 19 1/2" (495.3mm)
 Width: 1/8" (3.2mm)
 Height: 10" (254mm)
 Material: Foam

Part No: 3475017



Length: 22" (558.8mm)
 Width: 1/2" (12.7mm)
 Height: 5" (127mm)
 Material: Fiber Bond

Part No: 3475018



Length: 28" (711.2mm)
 Width: 2 3/16" (55.5mm)
 Height: 7 1/2" (190.5mm)
 Material: Cellulose pad
 Description: Aluminum frame; expanded aluminum pad

Part No: 3475019



Length: 22 1/4" (565.2mm)
 Width: 7/16" (11.2mm)
 Height: 4 5/8" (117.3mm)
 Material: Black Filter Foam
 Description: Fire retardant with plastic screen 1-sided

Air Filters

Part No: 3475020

Length: 33 5/8" (854mm)

Width: 7/16" (11.2mm)

Height: 4 5/8" (117.3mm)

Material: Black Filter Foam

Description: Fire retardant with plastic screen 1-sided

Part No: 3475053

Length: 15" (381mm)

Width: 2 3/16" (55.5mm)

Height: 15" (381mm)

Description: Filter slim kit

International Cross Reference No: ZGG733539

Part No: 3475056

Length: 8 1/2" (215.9mm)

Width: 2 3/16" (55.5mm)

Height: 14 1/4" (362mm)

Description: Air filter kit option

International Cross Reference No: ZGG733103

Volvo Cross Reference No: BSM626001

Part No: 3475057

Length: 8 1/2" (215.9mm)

Width: 2 3/16" (55.5mm)

Height: 14 1/4" (362mm)

Description: Fresh air filter kit

International Cross Reference No: ZGG733104

Volvo Cross Reference No: BSM626003

Part No: 4399015

Length: 3 5/8" (92.5mm)

Width: 3/8" (10mm)

Height: 16 13/16" (427.5mm)

Description: Recirculation air filter

Part No: 4475023

Length: 8 7/16" (214mm)

Width: 1/2" (12.7mm)

Height: 10 1/16" (256mm)

Material: Fiber

Description: Cabin air filter

International Cross Reference No: ZGG739227

Volvo Cross Reference No: BSM1000183201

Mack Cross Reference No: 7787-1000183201

Freightliner Cross Reference No: BSM 1000183201

Part No: 3475021



Description: Horizontal Filter/Pressurizer
Voltage: 12V
Length: 10 1/16" (255.6mm)
Width: 9" (236.2mm)
Height: 9" (236.2mm)
Amp: 12.3 amps max
Maximum Air Flow: 220 SCFM

Part No: 3475022



Description: Horizontal Filter/Pressurizer
Voltage: 24V
Length: 10 1/16" (255.6mm)
Width: 9" (236.2mm)
Height: 9" (236.2mm)
Amp: 5 amps max
Maximum Air Flow: 220 SCFM

Part No: 3475073

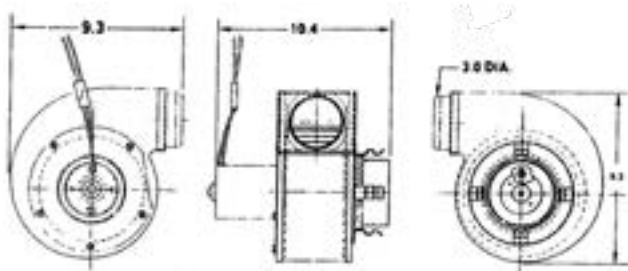


Description: Horizontal Filter/Pressurizer
Voltage: 12V
Length: 26 13/16" (680.7mm)
Amp: 5 amps max
Maximum Air Flow: 130 SCFM

Part No: 3475085



Description: Horizontal Filter/Pressurizer
Voltage: 24V
Length: 26 13/16" (680.7mm)
Amp: 8.4 amps max
Maximum Air Flow: 130 SCFM

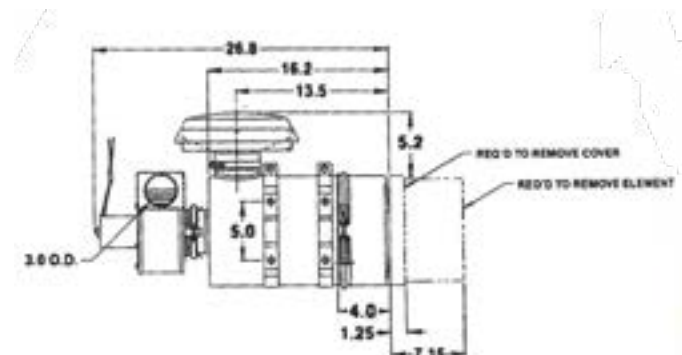


Pressurizer

Attaches directly to the remote mount filters to force dust-free air into the cab through the heating and air conditioning unit. A pressurizer increases pressurization capacity to assure a dust-free environment.

Horizontal Mount Filter

Clamps can be loosened to adjust hood inlet height or blower outlet direction. Mounting clamps can be located in any position which is best suitable for mounting unit.





KYSOR
by Bergstrom.

*Air Conditioning & Heating
Replacement Parts*



LOUVERS

Louvers

Rectangle Louvers	572
Round Louvers	574



BUS

Availability of the products shown in this catalog is subject to change without notice by Bergstrom, Inc. For the most current product information please visit the Kysor distributor website at <https://parts.kysorhvac.com/>.

Call: 800.499.6849 for Technical Assistance

Rectangle Louvers

Part No: 3212002



Length: 3 1/2" (88.9mm)

Mounting Diameter: 3" x 1 3/4"

Part No: 3212005



Length: 4" (101.6mm)

Mounting Length: 3 1/2" (88.9mm)

Mounting Height: 1 7/8" (47.63mm)

Part No: 3213003



Length: 5 49/64" (146.3mm)

Height: 2 1/16" (52.2mm)

Mounting Length: 5 5/8" (142.75mm)

Mounting Height: 1 31/32" (49.9mm)

Part No: 3275004



Length: 5 3/16" (136.53mm)

Height: 2 5/32" (54.42966mm)

Mounting Length: 4 13/64" (125.476mm)

Mounting Height: 1 1/4" (31.75mm)

Part No: 3275006



Length: 9 59/64" (251.97mm)

Height: 3 15/16" (100.08mm)

Mounting Length: 9" (228.35mm)

Mounting Height: 2 31/32" (75.18mm)

Part No: 3275007



Length: 3 29/32" (99.06mm)

Height: 1 39/64" (40.64mm)

Mounting Length: 3 23/64" (85.32876mm)

Mounting Height: 1 3/4" (44.45mm)

Part No: 3275009



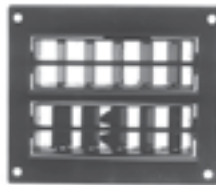
Length: 5 3/8" (136.65mm)

Height: 2 5/32" (54.864mm)

Mounting Length: 4 25/32" (4.78mm)

Mounting Height: 1 15/16" (1.94mm)

Part No: 3275011



Length: 7 47/64" (196.6mm)

Height: 6 9/16" (166.37mm)

Mounting Length: 6 1/4" (158.75mm)

Mounting Height: 4 7/8" (123.825mm)

Part No: 3275014



Length: 7 7/8" (200mm)

Height: 3 13/16" (97mm)

Mounting Length: 7 11/32" (186.4mm)

Mounting Height: 2 55/64" (72.4mm)

Part No: 3299006



Length: 7 45/64" (195.58mm)

Height: 3 1/4" (82.55mm)

Mounting Length: 7 7/64" (180.59mm)

Mounting Height: 2" (50.8mm)

Part No: 3299008



Length: 5 3/8" (136.525mm)

Height: 2 5/32" (54.77002mm)

Mounting Length: 4 3/4" (120.65mm)

Mounting Height: 2" (50.8mm)

Part No: 3299010



Length: 5 3/4" (146.05mm)

Height: 2 1/2" (63.5mm)

Mounting Length: 4 25/32" (121.412mm)

Mounting Height: 1 31/32" (50.038mm)

Rectangle Louvers

2

Part No: 3299018



Length: 5 7/16" (138.11mm)
 Height: 2 3/16" (55.5625mm)
 Mounting Length: 5" (127mm)
 Mounting Height: 1 3/4" (44.45mm)

Part No: 3299019



Length: 5 3/8" (136.53mm)
 Height: 2 3/8" (60.325mm)
 Mounting Length: 5 1/8" (130.175mm)
 Mounting Height: 1 7/8" (47.625mm)

Part No: 3299022



Length: 4 3/4" (120.65mm)
 Height: 2 1/2" (63.5mm)
 Mounting Length: 3 5/8" (92.075mm)
 Mounting Height: 2 1/8" (53.975mm)

Part No: 3299026



Length: 3 31/64" (88.5mm)
 Height: 2 41/64" (67.06mm)
 Mounting Length: 2 13/16" (71.5mm)
 Mounting Height: 2" (50.8mm)

Part No: 3299029



Length: 5 7/16" (138.1mm)
 Height: 2 3/16" (55.5mm)
 Mounting Length: 5 5/64" (128.9mm)
 Mounting Height: 1 25/32" (45.2mm)

Part No: 3299031



Length: 5 7/16" (138.18mm)
 Height: 2 5/32" (54.864mm)
 Mounting Length: 5 3/16" (131.572mm)
 Mounting Height: 1 21/64" (33.02mm)

Part No: 3299033



Length: 7 11/16" (195.33mm)
 Height: 3 1/4" (82.55mm)
 Mounting Length: 7 13/32" (188.1124mm)
 Mounting Height: 2 25/32" (70.6374mm)

Part No: 3299042



Length: 5 55/64" (148.8mm)
 Height: 3 13/16" (96.8mm)
 Mounting Length: 5 5/16" (134.62mm)
 Mounting Height: 2 29/32" (73.66mm)

Part No: 3299043



Length: 7 17/64" (184.6mm)
 Height: 3 5/64" (78mm)
 Mounting Length: 6 25/32" (172.2mm)
 Mounting Height: 3 1/32" (77mm)

Part No: 3299052



Length: 3 31/64" (88.4mm)
 Height: 2 21/32" (67.2mm)

Part No: 3299053



Length: 2 21/32" (67.31mm)
 Height: 1 51/64" (45.47mm)

Part No: 3299054



Length: 3 29/64" (87.63mm)
 Height: 2 5/8" (66.55mm)
 Mounting Length: 2 45/64" (68.58mm)
 Mounting Height: 1 7/8" (47.5mm)

LOUVERS

Round Louvers

Part No: 3299057



Part No: 3299063



Part No: 3299064



Length: 3 9/64" (91.95mm)
 Height: 1 5/64" (47.752mm)
 Mounting Length: 3 1/4" (82.55mm)
 Mounting Height: 1 33/64" (33.3mm)

Length: 6 59/64" (175.82mm)
 Mounting Length: 5 11/32" (135.73mm)

Part No: 4099004



Part No: 4099005



Length: 5 5/8" (143mm)
 Height: 2 7/16" (62.2mm)
 Mounting Length: 5 3/16" (132mm)
 Mounting Height: 1 3/16" (31.1mm)

Length: 5 1/8" (131mm)
 Height: 3 1/8" (80mm)
 Mounting Length: 4 1/2" (114.3mm)
 Mounting Height: 2 1/2" (63.6mm)

Round Louvers

Part No: 2199055



Part No: 3213005



Part No: 3275001



Diameter: 4 27/64" (112.27mm)
 Mounting Diameter: 3 11/32" (84.84mm)

Diameter: 2 1/4" (57.15mm)
 Mounting Diameter: 2" (50.8mm)

Diameter: 3 5/8" (92.456mm)
 Mounting Diameter: 3 7/16" (87.376mm)

Part No: 3275002



Part No: 3275003



Part No: 3275005



Diameter: 3 5/8" (92.075mm)
 Mounting Diameter: 3 5/16" (84.582mm)

Diameter: 4 25/32" (121.41mm)
 Mounting Diameter: 4 19/32" (116.59mm)

Diameter: 2 3/4" (69.85mm)
 Mounting Diameter: 2 1/2" (63.5mm)

Part No: 3275008



Diameter: 2 3/4" (69.85mm)

Mounting Diameter: 2 1/2" (63.5mm)

Part No: 3275010



Diameter: 2 3/4" (69.85mm)

Mounting Diameter: 2 1/2" (63.5mm)

Part No: 3275012



Diameter: 3 15/16" (97.14mm)

Mounting Diameter: 2 15/16" (74.676mm)

Part No: 3275016



Diameter: 2 27/32" (72mm)

Mounting Diameter: 2 11/16" (68mm)

Part No: 3299002



Diameter: 2 1/4" (57.15mm)

Mounting Diameter: 2" (50.8mm)

Part No: 3299004



Diameter: 3 5/8" (92.075mm)

Mounting Diameter: 3 5/16" (84.1375mm)

Part No: 3299005



Diameter: 3 41/64" (93.64mm)

Mounting Diameter: 3 19/64" (83.82mm)

Part No: 3299007



Diameter: 2 3/4" (69.85mm)

Mounting Diameter: 2 1/2" (63.5mm)

Part No: 3299013



Diameter: 3 1/4" (82.55mm)

Mounting Diameter: 3" (76.2mm)

Part No: 3299014



Diameter: 3 1/4" (82.55mm)

Mounting Diameter: 3" (76.2mm)

Part No: 3299015



Diameter: 2 45/64" (68.58mm)

Mounting Diameter: 2 1/2" (63.5mm)

Part No: 3299016



Diameter: 3 15/16" (97.14mm)

Mounting Diameter: 2 45/64" (68.58mm)



Round Louvers

Part No: 3299017



Diameter: 3 1/8" (79.375mm)
Mounting Diameter: 3" (76.2mm)

Part No: 3299020



Diameter: 3 5/8" (92.46mm)
Mounting Diameter: 3 1/2"

Part No: 3299023



Diameter: 3 13/32" (86.5mm)
Mounting Diameter: 3 17/64" (83mm)

Part No: 3299024



Diameter: 2 7/64" (53.6mm)
Mounting Diameter: 1 7/8" (47.5mm)

Part No: 3299030



Diameter: 2 21/32" (67.6mm)
Mounting Diameter: 2" (50.8mm)

Part No: 3299032



Diameter: 3 3/4" (95.25mm)
Mounting Diameter: 3 3/8" (85.55mm)

Part No: 3299034



Diameter: 4 1/4" (107.95mm)
Mounting Diameter: 3 1/4"

Part No: 3299037



Diameter: 3 15/16" (100mm)
Mounting Diameter: 3" (76.2mm)

Part No: 3299039



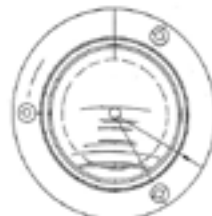
Diameter: 3 41/64" (92.456mm)
Mounting Diameter: 3 19/64" (83.82mm)

Part No: 3299050



Diameter: 4 19/32" (116.67mm)
Mounting Diameter: 3 21/64" (84.58mm)

Part No: 3299062



Diameter: 4 27/64" (112.27mm)
Mounting Diameter: 3 11/32" (84.84mm)

LOUVERS





**Air Conditioning & Heating
Replacement Parts**

Bus Products

Blue Bird OEM Bus Cross Reference **578**

Air Filters	578
Blower Motors	578
Blower Wheels	578
Booster Pumps	579
Cables	579
Evaporators and Heater Coils	579
Expansion Valves	579
Fans and Fan Blades	579
Heater Assemblies	580
Knobs	580
Louvers	580
Receiver Driers	580
Resistors and Relays	580
Switches and Actuators	581
Water Valves	581

IC Corp OEM Bus Cross Reference **582**

Air Filters	582
Blower Motors	582
Blower Wheels	582
Booster Pumps	583
Cables	583
Evaporators and Heater Coils	583
Fans and Fan Blades	584
Heater Assemblies	584
Knobs	584
Louvers	584
Resistors and Relays	585
Switches and Actuators	585
Water Valves	585

Air Conditioning & Heating Products for Buses

Miscellaneous OEM Bus Cross Reference **586**

Air Filters	586
Blower Motors	586
Blower Wheels	586
Cables	586
Evaporators and Heater Coils	586
Expansion Valves	586
Fans and Fan Blades	587
Knobs	587
Louvers	587
Receiver Driers	587
Switches and Actuators	587
Water Valves	587

Thomas Built OEM Bus Cross Reference **588**

Air Filters	588
Blower Motors	588
Blower Wheels	589
Booster Pumps	589
Cables	590
Evaporators and Heater Coils	590
Fans and Fan Blades	591
Heater Assemblies	591
Knobs	591
Louvers	592
Resistors and Relays	592
Water Valves	592



Availability of the products shown in this catalog is subject to change without notice by Bergstrom, Inc. For the most current product information please visit the Kysor distributor website at <https://parts.kysorhvac.com/>.

Blue Bird OEM Bus Cross Reference

Air Filters

Blue Bird	Bergstrom	Description	Page No.	Kysor No.
08303216	B407358	Air Filter	page 560	3199009
00035908	526426	Air Filter	page 560	3199018
10020349	525458	Air Filter	page 561	3199031
10025116	525459	Air Filter	page 562	3199032
00064092	526354	Air Filter	page 564	3199065
00035863	525776	Air Filter	page 564	3199068
00091769	526448	Air Filter	page 564	3199069
00090198	526449	Fresh Air Recirculation Filter	page 564	3199070
00035882	525801	Air Filter	page 564	3199071
00070770	526403	Air Filter	page 565	3199078
00070771	526404	Air Filter	page 565	3199079
10006941	1000137119	Recirculation Filter	page 565	3199080
04316386	B407353	Air Filter 7/16 in. X 11 in. X 20-5/32 in.	page 565	3199083
10005213	526417	Air Filter	page 566	3199087
00015311	B407369	Air Filter 7/16 in. X 6-1/4 in. X 13 in.	page 566	3199089
00063522	526335	Air Filter	page 567	3199095

Blower Motors

Blue Bird	Bergstrom	Description	Page No.	Kysor No.
8304610	B275152	Blower Motor, 12V Double Shaft	page 179	1099004
00035861	205840	Blower Motor, 12V Double Shaft	page 179	1099018
04316238	B275140	Blower Motor, 12V Single Shaft	page 172	1099024
00114540	203020	Blower Motor, 12V Single Shaft	page 172	1099033
0159723	1000132642	Blower Motor, 12V Single Shaft	page 173	1099040
00104121	203088	Blower Motor, 12V Single Shaft	page 173	1099051
0228080	203342	Blower Motor, 12V Single Shaft	page 173	1099055
01438480	1000169966	Blower Motor, 12V Single Shaft	page 173	1099059
00035883	1000046148	Blower Motor Assembly, 12V	page 185	1099077
08303182	1001616296	Blower Motor Assembly	page 186	1099161
00090195	519703	Blower Motor Assembly, 12V High Performance	page 185	1099097
10013870	1000321333	Blower Motor, 12V Single Shaft	page 175	1099118
	1000132197	Blower Motor, 12V Single Shaft	page 175	1099124
00076518	530310	Blower Motor Assembly, 24V SPAL	page 186	1099138

Blower Wheels

Blue Bird	Bergstrom	Description	Page No.	Kysor No.
08307365	B360867	Double Blower Wheel	page 199	1175003
00033722	589540	Double Blower Wheel	page 199	1199007
1567288	B260031	Single Blower Wheel	page 196	1199013
08304636	B260170	Double Blower Wheel	page 199	1199028
08304602	B260171	Double Blower Wheel	page 199	1199029
04316543	B260570	Double Blower Wheel	page 200	1199042
00066114	510114	Double Blower Wheel	page 200	1199047

Booster Pumps

Blue Bird	Bergstrom	Description	Page No.	Kysor No.
10033362	1001487645	Booster Pump, 12V	page 191	1099328
10034148	1000368104	Booster Pump, 12V	page 190	1099308
	1001487642	Booster Pump Assembly, 12V	page 191	1099325
10035131	1001487644	Booster Pump Assembly, 12V	page 191	1099326
	1001487645	Booster Pump 12V	page 191	1099328
	1000368104	Booster Pump Assembly, 12V	page 190	1099308

Cables

Blue Bird	Bergstrom	Description	Page No.	Kysor No.
08303224	B250233	Steel Control Cable	page 343	2599067
00038986	B250252	Control Cable Assembly, 42 in.	page 343	2599077
00035915	B250568	Control Assembly	page 349	3899018

Evaporators and Heater Coils

Blue Bird	Bergstrom	Description	Page No.	Kysor No.
01799024	B280406	Heater Core	page 397	1799024
01438118	108449	Heater Core	page 398	1799030
00070762	108482	Heater Core	page 398	1799031
00070764	108483	Heater Core	page 398	1799032
08303208	B280383	Heater Core	page 398	1799033
01987726	B280399	Heater Core	page 399	1799034
00063507	108411	Heater Core	page 399	1799035
00064090	108415	Heater Core	page 399	1799037
10006939	1000136418	Heater Core	page 399	1799038
00056086	108428	Heater Core	page 399	1799041
00015323	B280396	Heater Core	page 400	1799055
08316374	B280388	Heater Core	page 401	1799064

Expansion Valves

Blue Bird	Bergstrom	Description	Page No.	Kysor No.
00090197	650254-S	Freon Solenoid Valve	page 313	1899020
00063509	1001443384	Expansion Valve	page 319	1899042
0015318	1001443791	Expansion Valve, Pad Mount	page 319	1899046

Fans and Fan Blades

Blue Bird	Bergstrom	Description	Page No.	Kysor No.
02004307	572980	Fan Blade, 10 in. 5 Blades	page 211	1299017
09002649	756330	Defrost Fan, 12V Chrome	page 205	1299022
0666719	756698	Defrost Fan, 12V Black	page 205	1299027
01438126	510119	Fan Blade, 5 in. 4 Blade	page 211	1299028
10013941	1000371097	Defrost Fan, 12V Chrome with Black	page 207	1299043

Blue Bird OEM Bus Cross Reference

Heater Assemblies

Blue Bird	Bergstrom	Description	Page No.	Kysor No.
01654482	1000132749	Heater Driver Assembly	page 746	BSP00021HEAT12
10013875	1000142118	Heater, Double Floor Mount	page 743	3399006
10013876	1000142119	Heater, Fm Underseat Single	page 743	3399007
10013872	1000141710	Heater, Underseat Double Fan	page 743	3399008
10013874	1000141716	Heater, Seat Mount Lh Single	page 743	3399018
00026361	782205	Heater, Rear Wall Mount	page 743	3399022
00015281	1000102424	Heater Assembly, Re	page 744	3399034
10006652	1000117204	Combo Assembly, Blue Bird	page 744	3399047
10006651	1000136032	Heater Assembly, Blue Bird	page 744	3399048
10013871	1000141715	Heater, Seat Mount Rh Double	page 744	3399049
10013873	1000141718	Heater, Seat Mount Rh Single	page 744	3399050
10024645	1000102444	Heater Assembly, Fe	page 745	3399055

Knobs

Blue Bird	Bergstrom	Description	Page No.	Kysor No.
08303232	B380007	Pull Knob	page 344	2575002
04320917	B380095	Control Knob	page 344	2575010
00012387	B380099	Control Knob	page 345	2575011
01525856	B380053	Lever Knob	page 345	2599025
01494897	B380092	Knob, .75 Diameter Round	page 345	2599031
08303158	B380096	Knob	page 346	2599032
0031531	B380102	Knob, 1-1/8	page 347	2599058
00031148	869703	Knob Switch Kit	page 348	3899005

Louvers

Blue Bird	Bergstrom	Description	Page No.	Kysor No.
01915438	530747	Diffuser-Assembly Adjustable	page 576	3299050
01918549	B360746	Louver Assembly	page 576	3299017
00090180	E525076	Louver	page 576	3299023
08303091	B360833	Louver	page 576	3299024
00090194	B360924	Louver, Rectangle	page 574	4099004

Receiver Driers

Blue Bird	Bergstrom	Description	Page No.	Kysor No.
00084864	540059	Receiver Drier	page 414	1999009

Resistors and Relays

Blue Bird	Bergstrom	Description	Page No.	Kysor No.
00035868	650179	Resistor, 12V 3 Speed	page 457	2099004
00063516	B222166	Relay, 24V	page 454	2099009
00090192	652420	Relay, 12V	page 454	2099013
04316295	B220990	Resistor, 12V 3 Speed	page 457	2099016
10024862	1000264808	Resistor, 12V 2 Speed	page 457	2099019
10024863	1000283926	Resistor, 12V 3 Speed	page 457	2099022

Switches and Actuators

Blue Bird	Bergstrom	Description	Page No.	Kysor No.
00044580	651333	Electro-Thermo Linear Actuator	page 457	2099025
00090191	1000593042	Actuator, 120 Degree CCW	page 341	2118004
04320925	650657	Blower Switch	page 432	2199005
08303141	B222857	Blower Switch	page 432	2199025
0037788	B222975	Switch	page 432	2199026
00063495	890071	Actuator Kit, Electric Door	page 342	2199069
08303109	B222508	Circuit Breaker, 10 amp with Tabs	page 451	2199071
00015310	651263	Actuator, 140 Degree	page 342	2199073
00037787	B223101	Rotary Switch, 2-position	page 432	2199074
633-2527	540429	Solenoid Valve Assembly, 24V	page 313	2199075
00093449	660829	Temperature Switch Assembly	page 447	2199101
00017538	B404279	Pressure Switch	page 442	2275003
00090190	589490	Thermostatic Switch	page 446	2399006
00063511	650163	Thermostatic Switch	page 446	2399009
00015303	B404145	Thermostat Switch	page 446	2399026
0016333	B222987	Mode Assembly Switch	page 448	4099189

Water Valves

Blue Bird	Bergstrom	Description	Page No.	Kysor No.
0651844	B173153	Water Valve	page 332	2499021
08303273	B330374	Water Valve, 3/4 Pipe	page 338	2499048
00063512	869725	Water Valve	page 335	2499075
01913730	B417088	Water Valve, Standard	page 335	2499081
00035911	B330393	Shut-Off Valve	page 332	2499093
00116944	871288-S	Water Valve Assembly	page 338	2499104
10038421	1000348371	Water Valve Assembly	page 335	2499115
10038245	1000431722	Water Valve Assembly	page 336	2499130
00031322	B417254	Water Valve Kit, Standard	page 339	2499149
00091624	870728	Water Valve Kit, A3FE	page 336	2499150
00038850	869485	Water Valve Kit	page 339	2499151
00063497	870007	Water Valve Assembly, BBCV	page 339	2499152

IC Corp OEM Bus Cross Reference

Air Filters

IC Corp	Bergstrom	Description	Page No.	Kysor No.
437528001	B407367	Air Filter	page 556	3113007
2211903C1	B407365	Air Filter	page 556	3113008
2211904C1	B407364	Air Filter	page 556	3113009
ZGG720004	525458	Air Filter	page 561	3199031
ZGG720005	525459	Air Filter	page 562	3199032
2507220C1	525893	Air Filter	page 564	3199066
446637001	525828	Air Filter	page 564	3199072
2509228C1	525864	Air Filter	page 565	3199073
2585992C1	526398	Air Filter	page 565	3199074
2607912C1	1000257387	Air Recirculation Filter	page 566	3199092
2593515C1	1000220539	FE Bus Heater Air Filter	page 566	3199088

Blower Motors

IC Corp	Bergstrom	Description	Page No.	Kysor No.
2586986C1	1000170295	Blower Motor, 12V Single Shaft	page 167	1013007
2598648C1	1000044188	Blower Motor, 12V Single Shaft	page 167	1013009
452046010	B411343	Blower Motor Assembly, 12V	page 183	1075020
488831C1	B275141	Blower Motor, 12V Single Shaft	page 171	1099011
442129012	B275140	Blower Motor, 12V Single Shaft	page 172	1099024
2503277C1	203066	Blower Motor, 12V Single Shaft	page 172	1099034
ZGG701064	1000255724	Blower Motor, 12V Single Shaft	page 173	1099054
2598644C1	1000046148	Blower Motor Assembly, 12V	page 185	1099077
450139001	1000132208	Blower Motor, 12V Single Shaft	page 174	1099080
ZGG701087	1000132208	Blower Motor, 12V Single Shaft	page 174	1099080
	1001616296	Blower Motor Assembly	page 186	1099161
ZGG701108	1000046149	Blower Motor Assembly, 12V	page 185	1099090
437122023	1000153941	Blower Motor Assembly Kit, 12V	page 185	1099095
2607897C91	519703	Blower Motor Assembly, 12V	page 185	1099097
2217914C1	B944184	Blower Motor Assembly, 12V	page 185	1099098
2507242C1	869158	Blower Motor Assembly, 12V	page 175	1099116
2594604C92	1000220907	Blower Motor Assembly and Resistor, 12V	page 185	1099120
2230256C91	1000222667	Blower Motor Assembly, 12V	page 185	1099121
2595282C91	1000220929	Blower Motor Assembly, SPAL	page 185	1099130

Blower Wheels

IC Corp	Bergstrom	Description	Page No.	Kysor No.
427484008	B260571	Double Blower Wheel	page 199	1117001
ZGG11621	B260571	Double Blower Wheel	page 199	1117001
ZGG16411	B260640	Single Blower Wheel	page 195	1117002
2507231C1	563500	Double Blower Wheel	page 199	1199006

Booster Pumps

IC Corp	Bergstrom	Description	Page No.	Kysor No.
	1001487647	Booster Pump 12V	page 191	1099330
	1001487649	Booster Pump, 12V	page 190	1099318
2227279C92	1001487651	Booster Pump, 12V	page 190	1099319
3957323C91	1001487641	Booster Pump, 12V	page 190	1099316
3957534C91	1001487640	Booster Pump, 12V	page 190	1099317
	1001487648	Booster Pump, 12V	page 191	1099322

Cables

IC Corp	Bergstrom	Description	Page No.	Kysor No.
2507222C1	530293	Detent Actuator Cable, 40 in.	page 343	2599052
2507223C1	530300	Detent Actuator Cable, 30.70 in.	page 343	2599053
2588423C1	1000875777	Control Cable	page 343	2599057
452046004	1000875793	Control Cable Assembly, Recirculation Fresh Air	page 343	2599059
452046006	1000875791	Control Cable Assembly, Driver FL	page 343	2599060
2587507C1	530751	Control Cable	page 343	2599061
2588271C1	1000875795	Control Cable	page 343	2599062
2607910C1	1000255753	Detent Control Cable	page 343	2599068
441355006	1000875788	Cable Assembly, 76 in.	page 343	2599075
435341004	B243092	Cable Assembly, 59.0 in.	page 343	2599076
3628830C92	1000224260	Control Assembly	page 349	3899015
441355001	B944183	Control Package Assembly, Amtran Rear Engine	page 349	3899021
2587218C1	530748	Control Cable	page 343	2199064
2587219C1	530749	Control Cable	page 343	2199065

Evaporators and Heater Coils

IC Corp	Bergstrom	Description	Page No.	Kysor No.
2238251C1	1000369918	Heater Core	page 391	1713006
437122019	B280393	Heater Core, Amtran	page 396	1775017
2589562C1	108274	Heater Core	page 396	1799012
2589571C1	108275	Heater Core	page 397	1799013
2507207C1	108345	Heater Core	page 397	1799020
438660002	B280390	Heater Core	page 397	1799021
2509225C1	108347	Heater Core	page 398	1799026
449428011	108349	Heater Core	page 398	1799027
2585989C1	108433	Heater Core	page 398	1799028
2607901C1	1000216951	Heater Core	page 399	1799045
450096004	B280380	Heater Core	page 399	1799047
447526002	B280401	Heater Core, Amtran Genesis	page 400	1799049
2587494C1	108439	Heater Core	page 400	1799050
438659002	B280389	Heater Core	page 400	1799054
440626011	B280397	Heater Core, Amtran Stepwell	page 400	1799056
431736013	B280385	Heater Core, Amtran Auxiliary Drive	page 400	1799057
441179004	B280400	Heater Core	page 400	1799058
2512552C91	1000635554	Heater Core	page 401	1799066
2513048C1	1000328470	Heater Core	page 401	1799072

IC Corp OEM Bus Cross Reference

Fans and Fan Blades

IC Corp	Bergstrom	Description	Page No.	Kysor No.
ZGG703003	572980	Fan Blade, 10 in. 5 Blades	page 211	1299017
436968001	756330	Defrost Fan, 12V Chrome	page 205	1299022
2210999C1	756720C	Defrost Fan, 12V Black	page 205	1299023
433093001	756737	Defrost Fan, 12V Chrome with Black	page 205	1299029
2230239C91	1000208583	Defrost Fan, 12V Chrome with Black	page 206	1299034
2230237C91	1000208584	Defrost Fan, 12V Black	page 206	1299035

Heater Assemblies

IC Corp	Bergstrom	Description	Page No.	Kysor No.
3594934C4	1000046211	Heater Assembly, 50K	page 743	3399003
448253001	780017	Heater Assembly, 80K Wall Mount	page 743	3399026
2229059C1	1000104565	Heater Assembly, RE	page 744	3399035
3864119C1	1000194015	Heater Assembly, 50K	page 744	3399036
3864183C1	1000196564	Heater Assembly, RE	page 744	3399037
3991274C1	1000521260	Heater Assembly, Wheelchair	page 745	3399056
2206537C95	1000762020	Heater Assembly, Underseat	page 745	3399063
2206538C95	1000761801	Heater Assembly, Underseat Double	page 745	3399064
2228159C1	1000365408	Heater Assembly, Wheelchair	page 746	3399082
431736001	B936224	Heater Package Assembly, Amtran 14,000 BTU/hr Auxiliary	page 746	3399084
3722143C94	1000713079	Heater Assembly Kit, LF Service	page 746	3399086
3661993C93	1001248560	Heater Assembly, Bus Driver RE	page 746	3399090

Knobs

IC Corp	Bergstrom	Description	Page No.	Kysor No.
450038002	B380087	Knob	page 344	2575009
2507219C1	E525082	Knob	page 347	2599051
2503743C91	1000224265	Sub Assembly Knob	page 347	2599090

Louvers

IC Corp	Bergstrom	Description	Page No.	Kysor No.
	B360151	Louver, Plastic	page 574	3213005
426826001	B170195	Louver	page 575	3299002
2217916C1	B360754	Louver	page 573	3299018
441179005	B360913	Louver	page 573	3299026
441086001	500091	Louver with 2.50 in. Hose Adapter	page 573	3299052
	1000220925	640-1 FE Bus Louver	page 573	3299053
	1000220926	641 FE Bus Bezel	page 573	3299054
430164001	B360585	Defrost Louver Assembly	page 576	3299062

Resistors and Relays

IC Corp	Bergstrom	Description	Page No.	Kysor No.
93107300	530851	Freon Solenoid Valve	page 313	1899032
2595285C2	1000206429	Resistor, 12V	page 456	2017002
1696836C1	650179	Resistor, 12V 3 Speed	page 457	2099004
2509051C1	652420	Relay, 12V	page 454	2099013
450037004	B220990	Resistor, 12V 3 Speed	page 457	2099016
2511225C1	1000264808	Resistor, 12V 2 Speed	page 457	2099019
427484009	B222617	Resistor, 12V	page 457	2099020

Switches and Actuators

IC Corp	Bergstrom	Description	Page No.	Kysor No.
	651181	Circuit Breaker, 20 AMP	page 451	2199102

Water Valves

IC Corp	Bergstrom	Description	Page No.	Kysor No.
426827001	B173153	Water Valve	page 332	2499021
2507243C1	869172	Water Valve	page 332	2499078
2598661C1	1000071226	Water Valve Kit	page 332	2499096
ZGG717078	1000416160	Water Valve Kit	page 333	2499125
	1000346601	Water Valve Assembly	page 336	2499133
2205723C1	540427	Shut Off Gate Valve	page 338	2499144
3791189C1	1000220935	Water Valve	page 336	2499146

Miscellaneous OEM Bus Cross Reference

Air Filters

Misc.	Bergstrom	Description	Page No.	Kysor No.
Gillig 82-29801-000	525458	Air Filter	page 561	3199031
Gillig 82-09631-004	584210	Air Filter, 21 in. X 9-1/4 in.	page 563	3199050

Blower Motors

Misc.	Bergstrom	Description	Page No.	Kysor No.
Gillig 1099018	205840	Blower Motor, 12V Double Shaft	page 179	1099018
Gillig 82-06323-000	201320	Blower Motor, 12V Single Shaft	page 172	1099029
Gillig 82-06324-001	203020	Blower Motor, 12V Single Shaft	page 172	1099033
New Flyer E525095	E525095	Blower Assembly, 24V Twin Impellor	page 186	1099134

Blower Wheels

Misc.	Bergstrom	Description	Page No.	Kysor No.
Gillig 82-00148-000	563500	Double Blower Wheel	page 199	1199006

Cables

Misc.	Bergstrom	Description	Page No.	Kysor No.
Gillig 82-11443-000	571830	Cable, 61.75 in..	page 343	2599073
New Flyer 57183	571830	Cable, 61.75 in..	page 343	2599073

Evaporators and Heater Coils

Misc.	Bergstrom	Description	Page No.	Kysor No.
Gillig 82-06319-000	110180	Heater Core	page 397	1799018

Expansion Valves

Misc.	Bergstrom	Description	Page No.	Kysor No.
TA/MCC/ACT/Rifled	650254-S	Freon Solenoid Valve	page 313	1899020
TA/MCC/ACT/Rifled	1001443384	Expansion Valve	page 319	1899042
TA/MCC/ACT/Rifled	1001443791	Expansion Valve, Pad Mount	page 319	1899046
BusAir/MCC	1001264973	Expansion Valve	page 319	1899040
Transair/MCC	1001443787	Internally Equalized Expansion Valve	page 323	1817011
Transair/MCC	1001443777	Externally Equalized Expansion Valve	page 321	1813017
Transair/MCC	540173	Expansion Valve	page 321	1899026
Transair/MCC	B404292	Externally Equalized Expansion Valve	page 321	1875003
Transair/MCC	540176	Expansion Valve	page 321	1813001
ACC	540265	Orifice Tube, Blue	page 324	1811001
ACC	525712	Orifice Tube, White	page 324	1810003
ACC	540266	Orifice Tube, Orange	page 324	1899002
ACC	540018	Orifice Tube, Red	page 324	1899003

Fans and Fan Blades

Misc.	Bergstrom	Description	Page No.	Kysor No.
Gillig 82-13441-000	575080	Fan Blade, 8.75 in. 5 Blades	page 210	1275005
Gillig 51-00123-000	756330	Defrost Fan, 12V Chrome	page 205	1299022
Gillig 51-00123-001	756702	Defrost Fan, 12V Black	page 205	1299026
Gillig 51-10855-003	756713	Defrost Fan, 24V Black	page 206	1299039
Gillig 51-10855-001	756703	Defrost Fan with Switch, 24V Black	page 207	1299041
New Flyer 066736	756702	Defrost Fan, 12V Black	page 205	1299026
New Flyer 080922	756713	Defrost Fan, 24V Black	page 206	1299039
New Flyer 756703	756703	Defrost Fan with Switch, 24V Black	page 207	1299041

Knobs

Misc.	Bergstrom	Description	Page No.	Kysor No.
Gillig 82-06354-000	552500	Knob	page 346	2599043
New Flyer 552500	552500	Knob	page 346	2599043

Louvers

Misc.	Bergstrom	Description	Page No.	Kysor No.
Gillig 53-25035-000	586970	Louver, 2 in. Ball	page 576	3299030
Gillig 82-08780-022	588060	Louver Assembly, Diffuser	page 573	3299031

Receiver Driers

Misc.	Bergstrom	Description	Page No.	Kysor No.
Parker WSG164MOI	1001264912	Receiver Drier, In-Line Filter	page 420	1999223
Parker WSG304MOI	1001264936	Receiver Drier, In-Line Filter	page 420	1999224
Fire Truck	1000622970	Receiver Drier	page 415	1999221
08813821A	526099	Accumulator	page 423	1910002

Switches and Actuators

Misc.	Bergstrom	Description	Page No.	Kysor No.
SANTECH MT0460	1001335096	Pressure Relief Valve Kit	page 425	2799222

Water Valves

Misc.	Bergstrom	Description	Page No.	Kysor No.
Gillig 1000346601	1000346601	Water Valve Assembly	page 336	2499133

Thomas Built OEM Bus Cross Reference

Air Filters

Thomas Built	Bergstrom	Description	Page No.	Kysor No.
4602-0082	525636	Air Filter	page 561	3199022
8566-0439	525460	Air Filter	page 561	3199025
BSM 525406	525406	Air Filter	page 561	3199027
2610-1370	542300	Air Filter 18.625 in. X 9 in.	page 561	3199028
8566-0385	525458	Air Filter	page 561	3199031
8566-0380	525459	Air Filter	page 562	3199032
8566-0034	525169	Fresh Air Air Filter	page 562	3199035
8566-0177	525169	Fresh Air Air Filter	page 562	3199035
BSM 525169	525169	Fresh Air Air Filter	page 562	3199035
8566-0178	525209	Air Recirculation Filter	page 562	3199041
BSM 525209	525209	Air Recirculation Filter	page 562	3199041
6600-0225	582790	Air Filter 8-1/4 in. X 28-1/2 in. X 1/4 in.	page 562	3199044
6600-0292	584200	Air Filter 12 in. X 9-1/4 in.	page 562	3199046
BSM 584200	584200	Air Filter 12 in. X 9-1/4 in.	page 562	3199046
2609-3370	540900	Air Filter 14 in. X 11-1/8 in.	page 563	3199047
BSM 540900	540900	Air Filter 14 in. X 11-1/8 in.	page 563	3199047
6600-0295	581570	Air Filter 14 in. X 12-3/4 in. X 1/4 in.	page 563	3199048
6600-0293	584230	Air Filter 20-1/4 in. X 10-5/16 in.	page 563	3199049
6600-0291	584210	Air Filter	page 563	3199050
8566-0760	525803	Air Recirculation Filter	page 563	3199054
TBB 85660760	525803	Air Recirculation Filter	page 563	3199054
BSM 525802	525802	Fresh Air Air Filter	page 563	3199055
2606-7370	550800	Air Filter 28-3/8 in. X 6-3/4 in.	page 563	3199060
BSM 525836	525836	Air Filter	page 564	3199064
BSM 526431	526431	Air Filter	page 564	3199067
	1000186314	Air Recirculation Filter	page 565	3199081
BSM 526427	526427	Air Filter	page 565	3199082
BSM 526036	526036	Air Filter	page 567	3199094
6600-0294	584220	Air Filter 11-1/4 in. X 10-5/16 in.	page 567	3299044
BSM 584220	584220	Air Filter 11-1/4 in. X 10-5/16 in.	page 567	3299044

Blower Motors

Thomas Built	Bergstrom	Description	Page No.	Kysor No.
KYS 275266	B275266	Blower Motor, 24V Double Shaft	page 170	1075017
BSM B411407	B411407	Blower Motor Assembly, 12V	page 183	1075018
KYS B411271	B411271	Blower Motor Assembly, 24V	page 183	1075025
8566-0130	202270	Blower Motor, 12V Single Shaft	page 170	1075031
	B275158	Blower Motor, 12V Double Shaft	page 178	1075033
8566-0007	205780	Blower Motor, 12V Double Shaft	page 179	1099002
2606-2365	201520	Blower Motor, 12V Single Shaft	page 171	1099006
8566-0009	205840	Blower Motor, 12V Double Shaft	page 179	1099018
BSM 301252	205853	Blower Motor, 12V Double Shaft	page 179	1099025
2606-5366	201320	Blower Motor, 12V Single Shaft	page 172	1099029
BSM 1000342648	1000342648	Blower Motor, 12V Single Shaft	page 172	1099030
2603-4369	202520	Blower Motor, 12V Single Shaft	page 172	1099032
BSM 202520	202520	Blower Motor, 12V Single Shaft	page 172	1099032
6500-0439	203020	Blower Motor, 12V Single Shaft	page 172	1099033
8566-0226	203066	Blower Motor, 12V Single Shaft	page 172	1099034
8566-0102	203061	Blower Motor, 12V Double Shaft	page 180	1099047
8566-0227	203067	Blower Motor, 12V Single Shaft	page 173	1099050
8566-0378	203088	Blower Motor, 12V Single Shaft	page 173	1099051

Blower Motors

Thomas Built	Bergstrom	Description	Page No.	Kysor No.
BSM 203233	203233	Blower Motor, 12V Single Shaft	page 173	1099052
BSM 203234	203234	Blower Motor, 12V Single Shaft	page 173	1099053
BSM 301601	1000132208	Blower Motor, 12V Single Shaft	page 174	1099080
2604-4367	1000132208	Blower Motor, 12V Single Shaft	page 174	1099080
BSM 1000046149	1000046149	Blower Motor Assembly, 12V	page 185	1099090
BSM 1000033591	1000033591	Blower Motor Assembly, 12V	page 185	1099119
BSM 203412	203412	Blower Motor, 12V Single Shaft	page 176	1099128
	B411465	Blower Motor Assembly, 12V	page 186	1099132
BSM E525095	E525095	Blower Assembly, 24V Twin Impellor	page 186	1099134
BSM 1000426128	1000426128	Blower Motor, 12V Double Shaft	page 176	1099135
BSM 1001429553	1001429553	Blower Motor Assembly Kit, C2 Service	page 176	1099157
BSM 1000694282	1000694282	Blower Motor, 12V Single Shaft (Long Life)	page 176	1099146
KYS 275254	B275254	Blower Motor, 24V Double Shaft	page 180	1099147

Blower Wheels

Thomas Built	Bergstrom	Description	Page No.	Kysor No.
2602-4374	563500	Double Blower Wheel	page 199	1199006
8566-0050	589540	Double Blower Wheel	page 199	1199007
2603-1374	529800	Single Blower Wheel	page 196	1199008
2605-1367	515400	Single Blower Wheel	page 197	1199024
BSM 515400	515400	Single Blower Wheel	page 197	1199024
	B360917	Double Blower Wheel	page 200	1199037
8566-0233	510014	Double Blower Wheel	page 200	1199038
2605-7365	507700	Single Blower Wheel	page 197	1199043
BSM 507700	507700	Single Blower Wheel	page 197	1199043
2602-6374	566300	Double Blower Wheel	page 200	1199044

Booster Pumps

Thomas Built	Bergstrom	Description	Page No.	Kysor No.
	1000368102	Booster Pump, 12V	page 190	1099305
	1001487642	Booster Pump Assembly, 12V	page 191	1099325
	1001487643	Booster Pump 12V	page 191	1099327
BSM 1001487644	1001487644	Booster Pump Assembly, 12V	page 191	1099326
184618	1001487655	Booster Pump, 12V	page 191	1099323
22-71865-000	1001487648	Booster Pump, 12V	page 191	1099322

Thomas Built OEM Bus Cross Reference

Cables

Thomas Built	Bergstrom	Description	Page No.	Kysor No.
BSM 530264	530264	Non-Detent Actuator Cable, 15.5 in.	page 343	2199097
BSM 530262	530262	Non-Detent Actuator Cable, 32 in.	page 343	2199098
BSM 530263	530263	Non-Detent Actuator Cable, 40 in.	page 343	2199099
	B250155	Control Assembly	page 343	2575021
	1000875779	Fresh Air Cable	page 343	2599009
6600-0444	585410	Cable, 32.25 in.	page 343	2599056
TBB 61250359	530793	Vent Cable, 660 long Vinyl CTD	page 343	2599069
6125-0108	571830	Cable, 61.75 in.	page 343	2599073
BSM 571830	571830	Cable, 61.75 in.	page 343	2599073
BSM 525463	525463	Cable, Fresh Air 72.75 in.	page 343	2599079
BSM 525462	525462	Cable, Heat 52.75 in.	page 343	2599080
6600-4667	880014	Control	page 348	3899007
BSM 880014	880014	Control	page 348	3899007
	B250189	Control Assembly	page 343	3899008

Evaporators and Heater Coils

Thomas Built	Bergstrom	Description	Page No.	Kysor No.
BSM 1000365530	1000369918	Heater Core	page 391	1713006
BSM 1000133568	1000369918	Heater Core	page 391	1713006
8566-0244	108259	Heater Core	page 396	1799010
BSM 108259	108259	Heater Core	page 396	1799010
8566-0296	108271	Heater Core	page 396	1799011
8566-0384	108274	Heater Core	page 396	1799012
BSM 108274	108274	Heater Core	page 396	1799012
8566-0377	108275	Heater Core	page 397	1799013
BSM 108275	108275	Heater Core	page 397	1799013
BSM 108250	108250	Heater Core	page 397	1799014
BSM 868516	868516-S	Heater Core	page 397	1799015
BSM 108337	108337	Heater Core	page 397	1799016
6600-0091	110180	Heater Core	page 397	1799018
BSM 110180	110180	Heater Core	page 397	1799018
BSM 108346	108346	Heater Core	page 398	1799025
BSM 108442	108442	Heater Core	page 398	1799029
6600-0069	110600	Heater Core	page 399	1799036
BSM 110600	110600	Heater Core	page 399	1799036
BSM 108336	108336	Heater Core	page 399	1799040
8566-0446	108276	Heater Core	page 401	1799071
BSM 108276	108276	Heater Core	page 401	1799071

Fans and Fan Blades

Thomas Built	Bergstrom	Description	Page No.	Kysor No.
2606-5365	575080	Fan Blade, 8.75 in. 5 Blades	page 210	1275005
26051368	756600	Defrost Fan, 12V Chrome	page 205	1299010
8566-0135	587380	Fan Blade, 7 in. 5 Blades	page 210	1299015
2601-8378	572980	Fan Blade, 10 in. 5 Blades	page 211	1299017
6600-0305	1000943151	Fan Blade, 7 in. 5 Blades	page 210	1199056
5200-3268	756720C	Defrost Fan, 12V Black	page 205	1299023
TBB 125882	1000202057	Defrost Fan, 12V Black	page 205	1299025
TBB 129547	1000202056	Defrost Fan, 12V Black	page 206	1299030
125868	1000202058	Defrost Fan, 12V Chrome	page 206	1299031
BSM 1000202058	1000202058	Defrost Fan, 12V Chrome	page 206	1299031
103290	756735C	Defrost Fan, 12V Black	page 206	1299032
TBB 150627	1000081604	Defrost Fan, 12V Black	page 206	1299036
081685502	756703	Defrost Fan, 24V Black	page 207	1299041
115416	756736C	Defrost Fan, 12V Chrome	page 207	1299042
TBB 115416	756736C	Defrost Fan, 12V Chrome	page 207	1299042

Heater Assemblies

Thomas Built	Bergstrom	Description	Page No.	Kysor No.
182523	1000475575	Heater Assembly, Underseat Double Fan	page 743	3399009
BSM 1000475575	1000475575	Heater Assembly, Underseat Double Fan	page 743	3399009
182519	1000475573	Heater Assembly	page 746	3399091
179971	1000365412	Heater Assembly, Wheelchair	page 743	3399024
BSM 1000365412	1000365412	Heater Assembly, Wheelchair	page 743	3399024
BSM 1001404190	1001404190	Heater, Assembly Stepwell	page 746	3399092
6600-1601	710105	Heater Assembly, Stepwell	page 743	3399030
BSM 710105	710105	Heater Assembly, Stepwell	page 743	3399030
177926	1000365409	Heater Assembly, Wheelchair	page 744	3399033
BSM 1000365409	1000365409	Heater Assembly, Wheelchair	page 744	3399033
TBB 158457	1000133279	Heater Assembly, EF	page 744	3399039
BSM 1000133279	1000133279	Heater Assembly, EF	page 744	3399039
TBB 167964, 176309	1000230607	Heater Assembly, HDX	page 744	3399040
182482	1000475571	Heater Assembly, Underseat Double Fan	page 745	3399058
6600-0894	1000170160	Heater Assembly, Foot Warmer	page 745	3399054
BSM 1000170160	1000170160	Heater Assembly, Foot Warmer	page 745	3399054
182473	1000475570	Heater Assembly	page 745	3399057
182482	1000475571	Heater Assembly	page 745	3399058
182520	1000475574	Heater Assembly	page 745	3399059
182524	1000475576	Heater Assembly	page 745	3399060
182783	1000475572	Heater Assembly	page 745	3399061
104947, TBB 104947	710139	Heater Assembly, Stepwell	page 745	3399068
6600-0894	1000170161	Heater Assembly, Foot Warmer	page 745	3399076
	1001404188	Heater, Assembly, Stepwell	page 746	3399093

Knobs

Thomas Built	Bergstrom	Description	Page No.	Kysor No.
6600-0092	552500	Knob	page 346	2599043
BSM 525823	525823	Knob	page 346	2599047
BSM 525048	525048	Heater-A/C Control Lever Knob	page 347	2599070

Thomas Built OEM Bus Cross Reference

Louvers

Thomas Built	Bergstrom	Description	Page No.	Kysor No.
6600-0405	586970	Louver	page 576	3299030
BSM 586970	586970	Louver	page 576	3299030
TBB 66000910	588060	Louver Assembly, Diffuser	page 573	3299031
BSM 808810	808810	Diffuser	page 576	3299032
6600-0514	585520	Louver Assembly	page 573	3299033
BSM 808900	808900	Diffuser Assembly Adapter	page 576	3299034
BSM 500088	500088	Louver with Hose Adapter	page 573	3299042
BSM 500089	500089	Louver, Bezel	page 574	3299057
	B360367	Bezel	page 574	3299063

Resistors and Relays

Thomas Built	Bergstrom	Description	Page No.	Kysor No.
8566-0125	650179	Resistor, 12V 3 Speed	page 457	2099004
8566-0049	650790	Resistor, 12V 3 Speed	page 457	2099006
BSM 1000834227	1001401792	Linear Power Module	page 452	2099028
	651980	Circuit Breaker, 30 AMP	page 450	2199031
BSM 652541	652541	Micro Relay	page 454	4099150

Water Valves

Thomas Built	Bergstrom	Description	Page No.	Kysor No.
KYS 173090	B173090	Water Valve	page 331	2499006
8566-0156	865140	Water Valve	page 338	2499068
BSM 856140	865140	Water Valve	page 338	2499068
BSM 869058	869058	Water Valve	page 338	2499069
BSM 1000346164	1000346164	Water Valve Assembly	page 333	2499127
BSM 1000230606	1000235880	Water Valve Kit	page 335	2499087
BSM 1000235880	1000235880	Water Valve Kit	page 335	2499087
BSM 1000198369	1000198369	Water Valve Assembly	page 335	2499088
BSM 1000346774	1000346774	Water Valve Assembly	page 336	2499134
	1000338401	Water Valve Assembly	page 335	2499091
BSM 1000634446	1000634446	Water Valve Assembly	page 334	2499142
2602-7374	564200	3/4 Npt. Gate Valve	page 338	2499145
BSM 564200	564200	3/4 Npt. Gate Valve	page 338	2499145
	1000346090	Water Valve Assembly	page 334	2499154



Air Conditioning Systems & Heating Replacement Parts

App Legend	VEHICLE APPLICATIONS LEGEND	595
Matrix	BERGSTROM SYSTEMS MATRIX	596
	NO-IDLE SYSTEMS	599
	ELECTRIFIED SYSTEMS	607
	BATTERY-OPERATED ROOFTOP SYSTEMS	613
	ENGINE-DRIVEN ROOFTOP SYSTEMS	619
	ENGINE-DRIVEN HEADLINER SYSTEMS	631
	ENGINE-DRIVEN BACKWALL SYSTEMS	649
	CONDENSERS	665
	HEATERS	681

	SYSTEM KIT OPTIONS	695
	BERGSTROM ELECTRIFIED SYSTEMS (BES)	699
	SCHOOL BUS SYSTEMS	735
	SOLAR ENERGY SYSTEMS	747

When placing an order please contact your sales representative to review your order to ensure the proper system has been identified for your vehicle application.

Availability of the products shown in this catalog is subject to change without notice by Bergstrom, Inc. For the most current product information please visit the Kysor distributor website at <https://parts.kysorhvac.com/>.

Vehicle Applications Legend



Agriculture Vehicles



Ambulances



Box Trucks



Construction Vehicles



Fire Trucks



Garbage Trucks



Heavy-Duty Vehicles



Logging Vehicles



Mining Vehicles



Off-Shore Drilling



Semi Truck (Class 8)



Sport Utility Vehicle



Swat Vehicles



Airport Vehicles (Ground Support)



Armored Vehicles



Cargo Handling Vehicles (Container and Port Vehicles)



Delivery Trucks/Vans



Foundry



Golf Carts



Hi-Lo (Forklifts)



Military Vehicles



Off-Road Vehicles



School Buses



Shuttle Buses



Street Sweepers























































UTV (Electrical Vehicles)

Bergstrom Systems Matrix

The legend is a quick guide to help select a system for your vehicle. Understanding no two applications are alike, Bergstrom strongly recommends contacting a regional sales manager for further discussions before placing an order. A system in our catalog and not identified as a suggested application may be the optimal solution.

System	Pg. Nbr.	Power	Agriculture Vehicles	Airport Vehicles	Ambulances	Armored Vehicles	Box Trucks	Cargo Handling Vehicles	Construction Vehicles	Delivery Trucks / Vans	Fire Trucks	Foundry	Garbage Trucks	Golf Carts	Heavy-Duty Vehicles	Hi-Lo Vehicles (Forklifts)	Logging Vehicles	Military Vehicles	Mining Vehicles	Off-Road Vehicles	Off-Shore Drilling	School Bus	Semi Truck (Class 8)	Shuttle Bus	Sport Utility Vehicle	Street Sweepers	Swat Vehicles	UTV (Electrical Vehicles)	
No-Idle Systems																													
Nite® Phoenix	600	12V: 7,500 BTU/hr (2,2 kW)								X																			
Nite® Phoenix SSI	602	12V: 7,500 BTU/hr (2,2 kW)								X																			
Nite® Hawk-S	604	12V: 7,500 BTU/hr (2,2 kW)																											X
Electrified Systems																													
DBAC Series	608	12V: 6,824 BTU/hr (2,0 kW) 24V: 10,919 BTU/hr (3,2 kW)	X	X			X	X						X	X				X	X									
Split 2.0 and 3.0	610	12V: 6,824 BTU/hr (2,0 kW) 24V: 10,919 BTU/hr (3,2 kW)	X					X						X	X				X	X									
Battery-Operated Rooftop Systems																													
Compact 3.0	614	24V: 10,236 BTU/hr (3,0 kW)		X									X		X														X
Integral Power Manual	616	12V: 6,824 BTU/hr (2,0 kW) 24V: 10,919 BTU/hr (3,2 kW)	X	X			X	X						X	X				X	X									
Engine-Driven Rooftop Systems																													
Farad	620	12V: 30,027 BTU/hr (8,8 kW)											X																
HD-1000 A/C	622	12V /24V: 25,932 BTU/hr (7,6 kW)	X	X			X	X						X	X				X	X									
HD-1000 HVAC	624	Cold 12V / 24V: 25,932 BTU/hr (7,6 kW) Hot 12V / 24V: 34,120 BTU/hr (10,0 kW)	X	X			X	X						X	X				X	X									
KA-300	626	12V / 24V:18,900 BTU/hr (5,5 kW)	X					X					X		X														
KA-2000	628	12V / 24V:20,130 BTU/hr (5,9 kW)	X					X	X					X						X									
Engine Driven Headliner Systems																													
KA-400 Slimline	632	12V /24V: 21,838 BTU/hr (6,4 kW)	X					X					X		X	X											X		
KK-400 Slimline	634	Cold 12V / 24V: 21,838 BTU/hr (6,4 kW) Hot 12V / 24V: 25,933 BTU/hr (7,6 kW)	X					X					X		X	X											X		
KA-500 Hardhat	636	12V / 24V: 29,345 BTU/hr (8,6 kW)	X					X						X					X										
KA-7100	638	12V: 49,500 BTU/hr (14,5 kW)	X					X						X									X		X				
KA-7300	640	12V: 75,408 BTU/hr (22,1 kW)	X					X						X									X		X				
Kelvin A/C	642	12V / 24V: 20,810 BTU/hr (6,1 kW)	X		X			X		X					X													X	
Kelvin HVAC	644	Cold 12V / 24V: 20,180 BTU/hr (6,1 kW) Hot 12V / 24V: 32,410 BTU/hr (9,6 kW)	X		X			X		X					X													X	
Pascal A/C	646	12V / 24V: 13,650 BTU/hr (4,0 kW)	X		X			X		X					X													X	
Engine-Driven Backwall Systems																													
KA-550 Slimline	650	12V / 24V: 19,449 BTU/hr (5,7 kW)	X					X						X													X		
KK-550 Slimline	652	Cold 12V / 24V: 19,449 BTU/hr (5,7 kW) Hot 12V / 24V: 33,500 BTU/hr (9,8 kW)	X					X						X													X		
KK-600 Backpack	654	Cold 12V / 24V: 33,439 BTU/hr (9,8 kW) Hot 12V / 24V: 47,770 BTU/hr (14,0 kW)	X			X		X	X					X					X								X		
KA-710 Sidekick	656	12V / 24V: 24,500 BTU/hr (7,2 kW)	X					X						X													X		
Vertical Grande A/C	658	12V / 24V: 28,320 BTU/hr (8,3 kW)	X		X			X																					
Vertical Grande HVAC	660	Cold 12V / 24V: 28,320 BTU/hr (8,3kW) Hot 12V / 24V: 19,110 BTU/hr (5,6 kW)	X		X			X																					
Vertical Piccolo A/C	662	12V / 24V: 18,770 BTU/hr (5,5 kW)	X		X			X																					

System	Pg. Nbr.	Power																											
Condensers																													
DBC-100	666	12V: 6,824 BTU/hr (2,0 kW) 24V: 10,920 BTU/hr (3,2 kW)	X						X											X									
KC-90	668	12V / 24V: 25,933 BTU/hr (7,6 kW)							X						X												X		
KC-110	670	12V / 24V: 45,040 BTU/hr (13,2 kW)			X										X						X					X			
KC-440	672	12V: 54,935 BTU/hr (16,1 kW)	X						X	X					X					X									
KC-500	674	12V / 24V: 30,000 BTU/hr (8,8 kW)	X						X	X					X					X									
KC-750	676	12V / 24V: 32,075 BTU/hr (9,4 kW)	X						X						X					X	X					X			
KC-1000	678	12V / 24V: 45,040 BTU/hr (13,2 kW)							X						X					X									
KC-3000	678	12V: 35,860 BTU/hr (10,5 kW)			X										X											X			
Heaters																													
KH-150	682	12V: 13,000 BTU/hr (3,8 kW)							X						X					X							X		
KH-200	684	12V / 24V: 18,360 BTU/hr (5,4 kW)							X						X					X									
KH-300	686	12V / 24V: 30,027 BTU/hr (8,8 kW)							X	X					X					X			X						
KH-500	688	12V / 24V: 52,206 BTU/hr (15,3 kW)							X						X					X									
KH-900	690	12V / 24V: 30,000 BTU/hr (8,8 kW)							X	X					X					X			X						
Pascal Heater	692	12V / 24V: 25,590 BTU/hr (8,0 kW)	X	X					X	X					X											X			
Bergstrom Electrified Systems (BES)																													
FFR6 HVAC System	730							X												X									
FVF120 Pressurizer	704							X												X									
FVV50 Pressurizer	706							X												X									
FVV60 Pressurizer	708							X												X									
FVV150 Pressurizer	710							X												X									
FVW100 Pressurizer	728							X												X									
MPV5 HVAC System	716	Cold : 18,000 BTU/hr (5,3 kW) Hot: 34,000 BTU/h (10,0 kW)						X												X									
MPV9 HVAC System	718	Cold: 30,369 BTU/hr (8,9 kW) Hot: 40,946 BTU/hr (12,0 kW)						X												X									
BES2400	720																												
TBV6 Hydraulic Compressor	724							X												X									
TCR6 Condenser Package	726	For use up to 22,000 BTU/hr (6,4 kW)						X												X									
TDR5 HVAC System	728	Cold 24V: 17,744 BTU/hr (5,2 kW) Hot 24V: 34,122 BTU/hr (10,0 kW)						X												X									
TPR6 A/C System	730	Cold 24V: 20,473 BTU/hr (6,0 kW) Hot 24V: 40,000 BTU/hr (11,7 kW)						X	X	X										X									
TPW5 HVAC System	732	Cold 24V: 18,000 BTU/hr (5,3 kW) Hot 24V: 40,000 BTU/hr (11,7 kW)						X	X											X									
Bus Systems																													
Front Bulkhead	736	12V: 55,000 / 60,000 BTU/hr (16,0 / 17,6 kW)																					X						
Rear Bulkhead	737	12V: 55,000 / 60,000 BTU/hr (16,0 / 17,6 kW)																					X						
Dash Unit	738	26,833 BTU/hr (7,9 kW)																					X						
Midship Unit	739	12V: 35,000 BTU/hr (10,3 kW)																					X						
Dual Fan	740	12V: 60,000 BTU/hr (17,6 kW)																					X	X					
2-Fan Condenser	741	12V: 51,000 BTU/hr (14,9 kW)																					X	X					
3-Fan Condenser	742	12V: 76,000 BTU/hr (22,3 kW)																					X	X					
Heater Assemblies	743																						X						

System	Pg. Nbr.	Power																											
Solar Energy Systems																													
12 Cell Solar Panel	748		X	X	X	X	X	X	X	X	X	X	X	X	X	X	X	X	X	X	X	X	X	X	X	X	X	X	X
24 Cell Solar Panel	749		X	X	X	X	X	X	X	X	X	X	X	X	X	X	X	X	X	X	X	X	X	X	X	X	X	X	X
36 Cell Solar Panel	750		X	X	X	X	X	X	X	X	X	X	X	X	X	X	X	X	X	X	X	X	X	X	X	X	X	X	X
48 Cell Solar Panel	752		X	X	X	X	X	X	X	X	X	X	X	X	X	X	X	X	X	X	X	X	X	X	X	X	X	X	X
72 Cell Solar Panel	753		X	X	X	X	X	X	X	X	X	X	X	X	X	X	X	X	X	X	X	X	X	X	X	X	X	X	X
96 Cell Solar Panel	757		X	X	X	X	X	X	X	X	X	X	X	X	X	X	X	X	X	X	X	X	X	X	X	X	X	X	X

No-Idle Systems

NITE [®] PHOENIX	600
NITE [®] SSI	602
NITE [®] HAWK	604



When placing an order please contact your sales representative to review your order to ensure the proper system has been identified for your vehicle application.

All No-Idle systems have a 2-year warranty, with option to buy an extended warranty.

Availability of the products shown in this catalog is subject to change without notice by Bergstrom, Inc. For the most current product information please visit the Kysor distributor website at <https://parts.kysorhvac.com/>.



Features

- Electrified A/C unit that runs on 4 auxiliary AGM batteries
- Automatic temperature control
- Digital control
- Durable steel construction
- ARB approved (#08-643-004)
- Unit runs 8-10 hours*
- Evaporator filter gives extended coil life
- Optional diesel heaters are available

Air Distribution and Control Panel

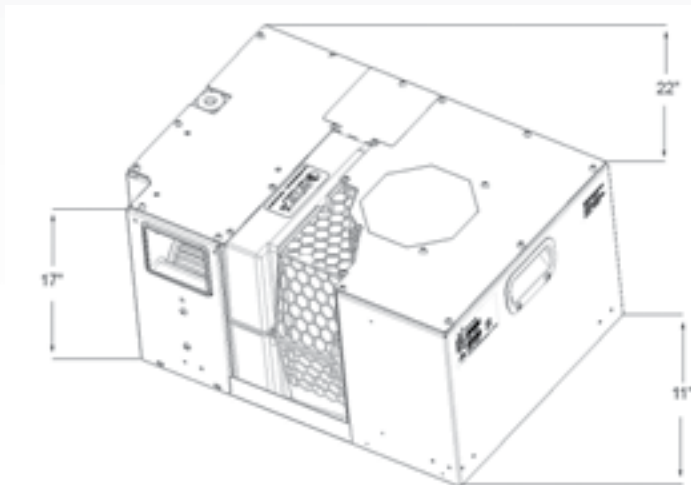


Suggested Applications



**Run time depends on ambient temperature, solar load and truck insulation*

Line Drawing



Technical Specifications

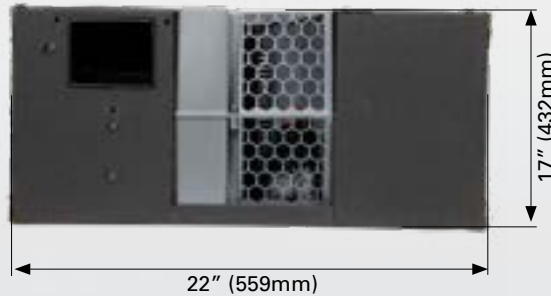
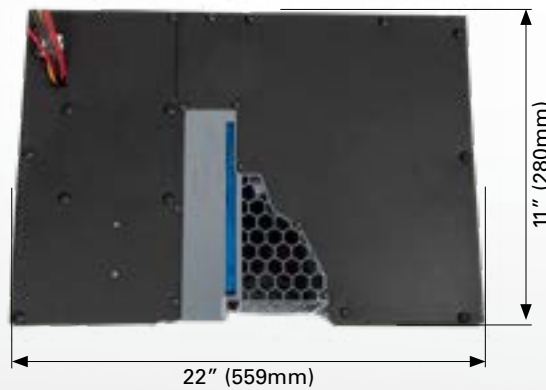
Model	NITE Phoenix 12V
Voltage	12V
Power	7,500 BTU/hr (2,2 kW)
Amps	25 A/h - 65 Ah
Maximum air flow	280 SCFM (425 m ³ /hr)
Dimensions (W x H x D)	22in x 17in x 11in (559mm x 432mm x 280mm)
Weight*	60 lbs. (27,2 kg)
Mounting Position	Under Bunk

**Overall system weight will vary dependent on installation kit used, batteries and battery box options.*

Measurements are listed using the U.S. system with the metric system in parenthesis.

*Minimum alternator required: 12V = 185-200 A/h recommended
Minimum battery required: 4 Group 31 AGM 100 A/h deep cycle batteries*

Dimensions layout



Advantages

- Operator Comfort
- Perfect match for your vehicle
- Best Value
- Virtually maintenance free
- Installs easily under the bunk
- Shorepower & hotel load options available

No-Idle Systems



NITE® Phoenix Order Guide

Part*	Part Number	Notes
Unit Part Number	3620010 3620009	A/C Only Combo with Espar Heater
Installation Kit	Contact your Regional Sales Manager to choose the right kit for your vehicle.	

NITE® Phoenix Service Parts Guide

Part*	Part Number	Notes
Evaporator Blower Service Kit Assembly	4475070	12V
Temperature Sensor Kit	4475028	12V
Condenser Fan Service Kit	4475037	12V
Filter (259 x 215 x 127)	4475023	12V
Relay with Resistor	4499087	12V

* For the complete NITE service parts lists, please visit us.bergstrominc.com/nite-service-parts/. Reference these parts lists before ordering as they are updated on a continuous basis and are subject to change without notice.



When placing an order please contact your sales representative to review your order to ensure the proper system has been identified for your vehicle application.

Availability of the products shown in this catalog is subject to change without notice by Bergstrom, Inc. For the most current product information please visit the Kysor distributor website at <https://parts.kysorhvac.com/>.

Warranty

- 2-year limited warranty on parts and systems



Features

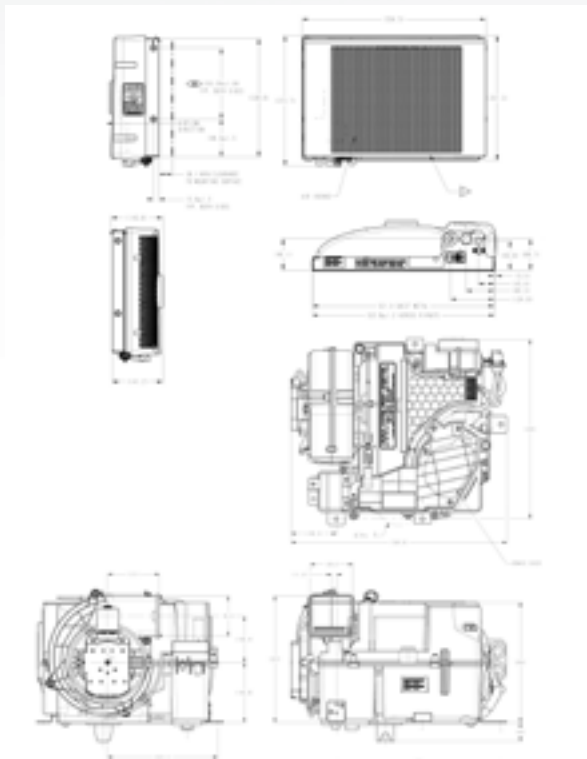
- Electrified A/C unit that runs on 4 auxiliary AGM batteries
- Automatic temperature control
- Digital control
- Durable steel construction
- ARB approved (#08-643-004)
- Unit runs 8-10 hours*
- Evaporator filter gives extended coil life
- Optional diesel heaters are available

Suggested Applications



**Run time depends on ambient temperature, solar load and truck insulation*

Line Drawing



Technical Specifications

Model	NITE Phoenix 12V
Voltage	12V
Power	7,500 BTU/hr (2,2 kW)
Amps	25 A/h - 65 Ah
Maximum air flow	280 SCFM (425 m ³ /hr)
Dimensions Evaporator (W x H x D)	19.9in x 17.1in x 12.3in (505mm x 434mm x 312mm)
Dimensions Condenser (W x H x D)	20.7in x 5.7in x 14.1in (527mm x 144mm x 357mm)
Weight*	60 lbs. (27,2 kg)
Evaporator Mounting Position	Under Bunk Inside Cab
Condenser Mounting Position	Back Wall Outside of Cab

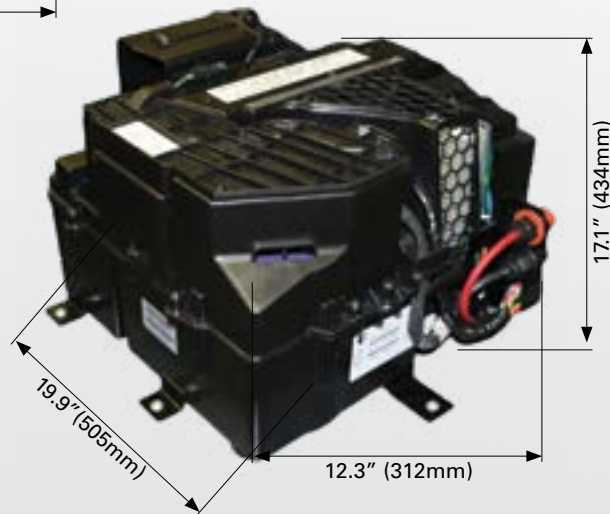
*Overall system weight will vary dependent on installation kit used, batteries and battery box options.

Measurements are listed using the U.S. system with the metric system in parenthesis.

Minimum alternator required: 12V = 185-200 A/h recommended

Minimum battery required: 4 Group 31 AGM 100 A/h deep cycle batteries

Dimensions layout



Advantages

- Operator Comfort
- Perfect match for your vehicle
- Best Value
- Virtually maintenance free
- Installs easily under the bunk
- Shorepower & hotel load options available

No-Idle Systems



LCD Display

NITE® Phoenix SSI Order Guide

Part*	Part Number	Notes
Unit Part Number	3630002 3630004	A/C Only Combo with Espar Heater
Installation Kit	Contact your Regional Sales Manager to choose the right kit for your vehicle.	

NITE® Phoenix SSI Service Parts Guide

Part*	Part Number	Notes
Evaporator Blower Service Kit Assembly	4475070	12V
Temperature Sensor Kit	4475028	12V
Condenser Fan Service Kit	4475037	12V
Filter (259 x 215 x 127)	4475023	12V
Relay with Resistor	4499087	12V

* For the complete NITE service parts lists, please visit us.bergstrominc.com/nite-service-parts/. Reference these parts lists before ordering as they are updated on a continuous basis and are subject to change without notice.



When placing an order please contact your sales representative to review your order to ensure the proper system has been identified for your vehicle application.

Availability of the products shown in this catalog is subject to change without notice by Bergstrom, Inc. For the most current product information please visit the Kysor distributor website at <https://parts.kysorhvac.com/>.

Warranty

- 2-year limited warranty on parts and systems



Features

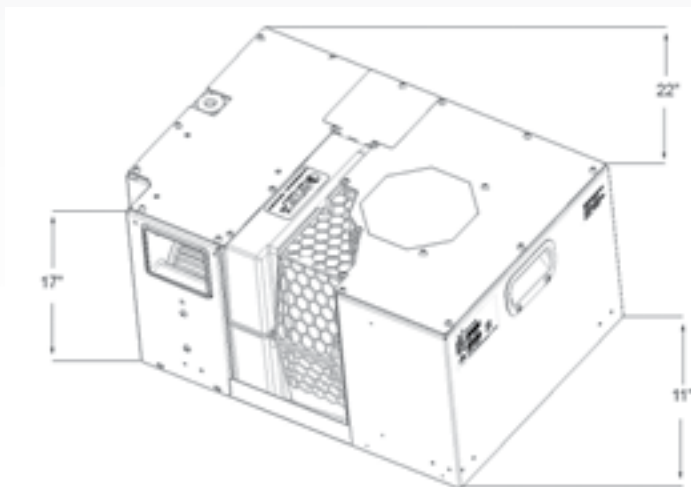
- Electrified A/C unit that runs on 4 auxiliary AGM batteries
- Automatic temperature control
- Digital control
- Durable steel construction
- ARB approved (#08-643-004)
- Unit runs 8-10 hours*
- Evaporator filter gives extended coil life
- Optional diesel heaters are available

Suggested Applications



**Run time depends on ambient temperature, solar load and truck insulation*

Line Drawing



Technical Specifications

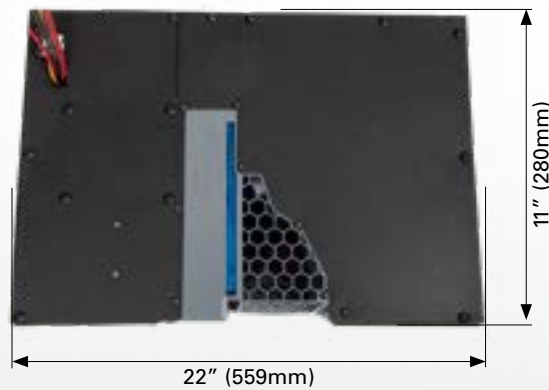
Model	NITE Hawk 12V
Voltage	12V
Power	7,500 BTU/hr (2,2 kW)
Amps	25 A/h - 65 Ah
Maximum air flow	280 SCFM (425 m ³ /hr)
Dimensions (W x H x D)	22in x 17in x 11in (559mm x 432mm x 280mm)
Weight*	60 lbs. (27,2 kg)
Mounting Position	Trunk

*Overall system weight will vary dependent on installation kit used, batteries and battery box options.

Measurements are listed using the U.S. system with the metric system in parenthesis.

*Minimum alternator required: 12V = 185-200 A/h recommended
Minimum battery required: 4 Group 31 AGM 100 A/h deep cycle batteries*

Dimensions layout



Advantages

- Operator Comfort
- Perfect match for your vehicle
- Best Value
- Virtually maintenance free
- Installs easily under the bunk
- Shorepower & hotel load options available

No-Idle Systems



NITE® Hawk Order Guide

Part*	Part Number	Notes
Unit Part Number	Contact your Regional Sales Manager to purchase	A/C Only Combo with Espar Heater
Installation Kit	Contact your Regional Sales Manager to choose the right kit for your vehicle.	

NITE® Hawk Service Parts Guide

Part*	Part Number	Notes
Evaporator Blower Service Kit Assembly	4475070	12V
Temperature Sensor Kit	4475028	12V
Condenser Fan Service Kit	4475037	12V
Filter (259 x 215 x 127)	4475023	12V
Relay with Resistor	4499087	12V



When placing an order please contact your sales representative to review your order to ensure the proper system has been identified for your vehicle application.

Availability of the products shown in this catalog is subject to change without notice by Bergstrom, Inc. For the most current product information please visit the Kysor distributor website at <https://parts.kysorhvac.com/>.

Warranty

- 2-year limited warranty on parts and systems

Electrified Systems

DBAC SERIES	608
SPLIT 2.0 AND 3.0	610



When placing an order please contact your sales representative to review your order to ensure the proper system has been identified for your vehicle application.

All BSP systems have a 1-year warranty.

Availability of the products shown in this catalog is subject to change without notice by Bergstrom, Inc. For the most current product information please visit the Kysor distributor website at <https://parts.kysorhvac.com/>.

Several combinations to meet your vehicle needs



Features

- Steel-framed compressor box with integrated receiver drier and condenser
- Tube-O connections
- Double wheel high performance blower
- Virtually maintenance free
- Quiet operation
- 3 air outlets
- 3 speed fans

Suggested Applications



Air Distribution and Control Panel






Technical Specifications, Weights and Dimensions

Maximum air flow - DBAC- 100	460 SCFM (780 m ³ /hr)
Maximum air flow - DBAC-101	260 SCFM (450 m ³ /hr)
Maximum air flow - DBAC-200	260 SCFM (450 m ³ /hr)
Dimensions - Vertical Piccolo A/C (L x W x H)	6.73in x 6.65in x 19.33in (171mm x 169mm x 491mm)
Dimensions - Pascal A/C (L x W x H)	9.21in x 15.3in x 5.29in (234mm x 388.5mm x 134.3mm)
Dimensions - DBC-100 Condenser (L x W x H)	23.50in x 13.92in x 12.81in (597mm x 353.5mm x 325.5mm)
Weight - Vertical Grande A/C evaporator	21.6 lbs (9.8 kg)
Weight - Vertical Piccolo A/C evaporator	17.1 lbs (7.8 kg)
Weight - Pascal A/C evaporator	8.4 lbs. (3,8 kg)
Weight - DBC-100 condenser	72.8 lbs. (33 kg)
Mounting Position	Universal

Measurements are listed using the U.S. system with the metric system in parenthesis.

DBAC Series Order Guide

Option	Unit Part Number	Unit Description	Included	Power*	Amps**	Voltage
1	BSP00024AC12 BSP00024AC24	DBAC-100 A/C		6,824 BTU/hr (2,0 kW) 10,919 BTU/hr (3,2 kW)	32 - 65 A/h 30 - 55 A/h	12V 24V
2	BSP00046AC12 BSP00046AC24	DBAC-101 A/C		6,824 BTU/hr (2,0 kW) 10,919 BTU/hr (3,2 kW)	32 - 65 A/h 30 - 55 A/h	12V 24V
3	BSP00040AC12 BSP00040AC24	DBAC-200 A/C		6,824 BTU/hr (2,0 kW) 10,919 BTU/hr (3,2 kW)	32 - 65 A/h 30 - 55 A/h	12V 24V

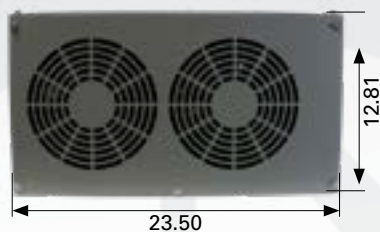
(*) System output (BTU/hr) s based o system component-calculated capacities. In accordance with JIS standard test conditions: outside temperature 95°F (35°C), return temperature 80°F (27°C).

(**) Test conditions: outside temperature between 86°F (30°C) and 107°F (42°C).

Measurements are listed using the U.S. system with the metric system in parenthesis.

DBAC-200 Optional Order Guide

Part	Part Number	Notes
Three spigot outlet panel	BSP00005PANELKIT	For Pascal A/C system with DBAC-200
Three louver black wave panel with chorme	BSP00003PANELKIT	For Pascal A/C system with DBAC-200
Three louver black wave panel	BSP00006PANELKIT	For Pascal A/C system with DBAC-200



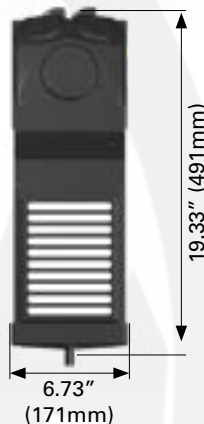
DBC-100 Condenser



Pascal Evaporator



Vertical Grande A/C Evaporator



Vertical Piccolo Evaporator



When placing an order please contact your sales representative to review your order to ensure the proper system has been identified for your vehicle application.

Availability of the products shown in this catalog is subject to change without notice by Bergstrom, Inc. For the most current product information please visit the Kysor distributor website at <https://parts.kysorhvac.com/>.

Warranty

- 1-year limited warranty



Several combinations to meet your vehicle needs



Condenser



Horizontal Evaporator



Compressor



Vertical Evaporator

Suggested Applications



Features

- Manual function
- Flexibility with multiple installation locations
- Digital readout in °C & °F*
- Low maintenance costs
- Double battery protection*

*Not included in Split 3.0 Manual Vertical with Integrated Control

Air Distribution and Control Panel

Vertical Grande



Pascal



Spigot



Louver

Technical Specifications, Weights and Dimensions

Maximum air flow - Horizontal Evaporator	265 SCFM (450 m ³ /hr)
Maximum air flow - Vertical Evaporator	460 SCFM (780 m ³ /hr)
Dimensions - Horizontal Evaporator (L x W x H)	9.21in x 15.3in x 5.29in (234mm x 388.5mm x 134.3mm)
Dimensions - Vertical Evaporator (L x W x H)	15.35in x 5.98in x 17.2in (390mm x 152mm x 436.55mm)
Dimensions - Dual Fan Condenser (L x W x H)	24.1in x 4.76in x 16.54in (612mm x 121mm x 420mm)
Dimensions - Compressor (L x W x H)	16.93in x 14.56in x 9.84in (430mm x 370mm x 250mm)
Weight - Horizontal Evaporator	8.4 lbs. (3,8 kg)
Weight - Vertical Evaporator	21.6 lbs. (9,8 kg)
Weight - Dual Fan condenser	14.3 lbs. (6,5 kg)
Weight - All others Compressor	61.7 lbs. (28 kg)
Mounting Position	Universal

Measurements are listed using the U.S. system with the metric system in parenthesis.

Maximum Distances between Components

Condenser unit - Evaporator Unit	11.48 ft (3,50 m)
Evaporator unit - Compressor Unit	9.84 ft (3,00 m)
Compressor unit - Condenser Unit	6.56 ft (2,00 m)

Split 2.0 and 3.0 Order Guide

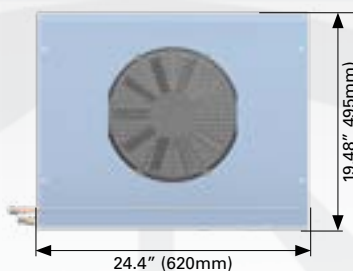
Option	Unit Part Number	Unit Description	Included	Power*	Amps**	Voltage
1	BSP00041AC12	Split 2.0 Horizontal		6,824 BTU/hr (2,0 kW)	32-65 A	12V
2	BSP00041AC24	Split 3.0 Horizontal		10,919 BTU/hr (3,0 kW)	30-55 A	24V
3	BSP00048AC12	Split 2.0 Vertical		6,824 BTU/hr (2,0 kW)	32-65 A	12V
4	BSP00048AC24	Split 3.0 Vertical		10,919 BTU/hr (3,0 kW)	30-55 A	24V

(*) System output (BTU/hr) is based on system component-calculated capacities. In accordance with JIS standard test conditions: outside temperature 95°F (35°C), return temperature 80°F (27°C).

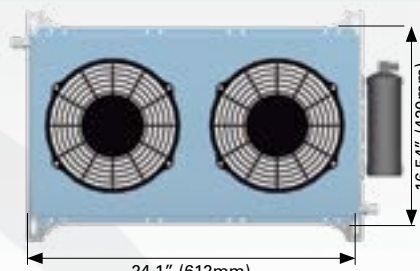
(**) Test conditions: outside temperature between 86°F (30°C) and 107°F (42°C).

Measurements are listed using the U.S. system with the metric system in parenthesis.

Electrified-Operated



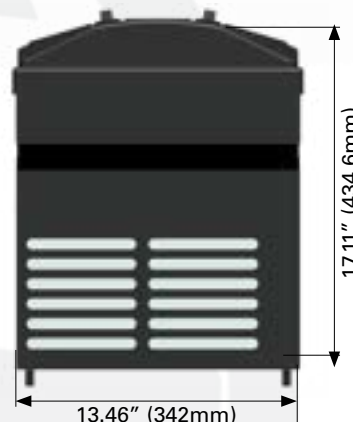
Single Fan Condenser



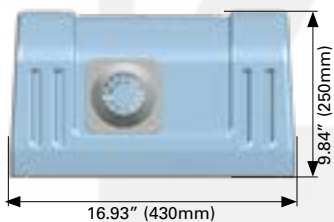
Dual Fan Condenser



Horizontal Evaporator



Vertical Evaporator



Compressor



When placing an order please contact your sales representative to review your order to ensure the proper system has been identified for your vehicle application.

Availability of the products shown in this catalog is subject to change without notice by Bergstrom, Inc. For the most current product information please visit the Kysor distributor website at <https://parts.kysorhvac.com/>.

Warranty

- 1-year limited warranty

Battery-Operated Rooftop Systems

COMPACT 3.0	614
INTEGRAL POWER MANUAL	616



When placing an order please contact your sales representative to review your order to ensure the proper system has been identified for your vehicle application.

All BSP systems have a 1-year warranty.

Availability of the products shown in this catalog is subject to change without notice by Bergstrom, Inc. For the most current product information please visit the Kysor distributor website at <https://parts.kysorhvac.com/>.



Features

- Digital readout in °C & °F with automatic temperature control
- Pre-charged system with R-134a refrigerant
- Double battery protection
- Remote control

Air Distribution and Control Panel



Suggested Applications



Technical Specifications

Model	Compact 3.0 24V
Voltage	24V
Power*	10,236 BTU/hr (3,0 kW)
Amps**	Engine On: 25 A/h - 38 A/h Engine Off: 11 A/h - 24 A/h
Maximum air flow	470 SCFM (800 m ³ /hr)
Dimensions (L x W x H)	28.58in x 32.52in x 8.07in (726mm x 826mm x 205mm)
Weight	86.6 lbs. (39,3 kg)
Mounting Position	Roof

(*) System output (BTU/hr) is based on system component-calculated capacities. In accordance with JIS standard test conditions: outside temperature 95°F (35°C), return temperature 80°F (27°C).

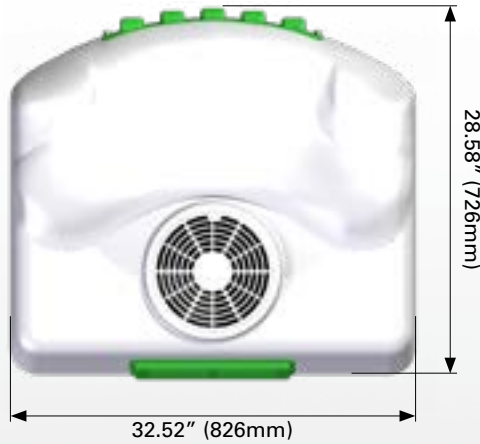
(**) Test conditions: outside temperature between 86°F (30°C) and 107°F (42°C).

Measurements are listed using the U.S. system with the metric system in parenthesis.

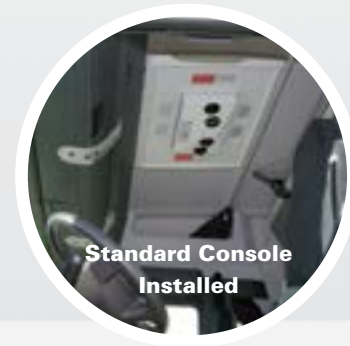
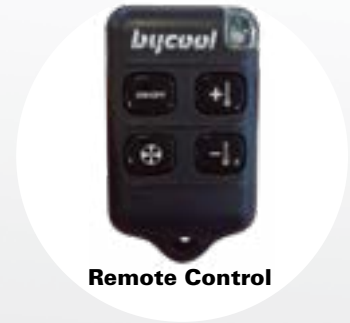
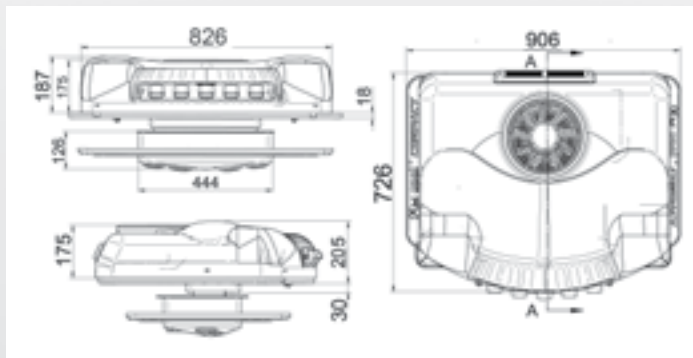
Unit performance with the engine running is 10,248 BTU/hr and with the engine switched off the performance is limited to 4,800 BTU/hr to protect the vehicle battery.

Minimum alternator required: 80 A/h
Minimum battery required: 180 A/h

Dimensions layout



Line Drawing



Battery-Operated Rooftop

Compact 3.0 Order Guide

Part	Part Number	Notes
Unit Part Number*	BSP00006AC24	24V

*Installation kit included with the system.

Compact 3.0 Service Parts Guide

Part	Part Number	Notes
Blower Assembly	091087C006	24V
Condenser	091132C003	24V
Condenser Fan	091132C021	24V
Compressor	091132C004	24V
Evaporator	091132C006	24V



When placing an order please contact your sales representative to review your order to ensure the proper system has been identified for your vehicle application.

Availability of the products shown in this catalog is subject to change without notice by Bergstrom, Inc. For the most current product information please visit the Kysor distributor website at <https://parts.kysorhvac.com/>.

Warranty

- 1-year limited warranty



Features

- Electrical A/C unit
- Interior control panel
- Pre-charged system with R-134a refrigerant
- Hermetically-sealed compressor

Air Distribution and Control Panel



Suggested Applications



Technical Specifications

Model	Integral Power 12V	Integral Power 24V
Voltage	12V	24V
Power*	6, 824 BTU/hr (2,0 kW)	10,919 BTU/hr (3,2 kW)
Amps**	32 A/h - 65 A/h	30 A/h - 55 A/h
Maximum air flow	410 SCFM (700 m ³ /hr)	410 SCFM (700 m ³ /hr)
Dimensions (L x W x H)	30.04in x 26.14in x 8.54in (763mm x 664mm x 217mm)	30.04in x 26.14in x 8.54in (763mm x 664mm x 217mm)
Weight	95.9 lbs. (43,5 kg)	95.9 lbs. (43,5 kg)
Mounting Position	Roof	Roof

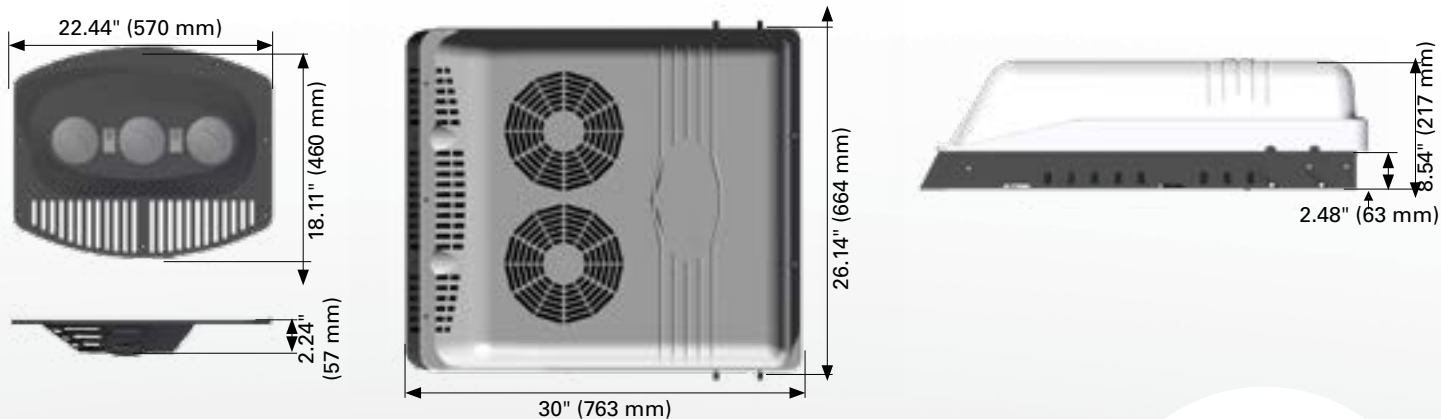
(*) System output (BTU/hr) is based on system component-calculated capacities in accordance with JIS standard test conditions: outside temperature 95°F (35°C), return temperature 80°F (27°C).

(**) Test conditions: outside temperature between 86°F (30°C) and 107°F (42°C).

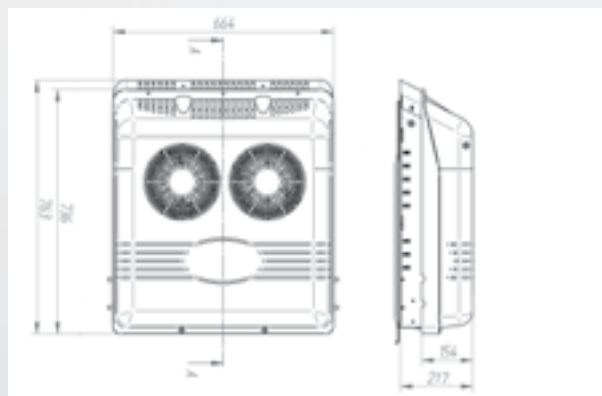
Measurements are listed using the U.S. system with the metric system in parenthesis.

Minimum alternator required: **12V** = upsized by 75 A/h / **24V** = upsized by 60 A/h

Dimensions layout



Line Drawing



Battery-Operated Rooftop

Integral Power Manual Order Guide

Part	Part Number	Notes
Unit Part Number*	BSP00028AC12 BSP00028AC24	12V Manual 24V Manual

*Installation kit included with the system.



When placing an order please contact your sales representative to review your order to ensure the proper system has been identified for your vehicle application.

Availability of the products shown in this catalog is subject to change without notice by Bergstrom, Inc. For the most current product information please visit the Kysor distributor website at <https://parts.kysorhvac.com/>.

Warranty

- 1-year limited warranty

Engine-Driven Rooftop Systems

FARAD	620
HD-1000 A/C	622
HD-1000 HVAC	624
KA-300	626
KA-2000	628



When placing an order please contact your sales representative to review your order to ensure the proper system has been identified for your vehicle application.

All BSP systems have a 1-year warranty.

Availability of the products shown in this catalog is subject to change without notice by Bergstrom, Inc. For the most current product information please visit the Kysor distributor website at <https://parts.kysorhvac.com/>.



Features

- Steel base
- Molded cover
- Designed to withstand and perform in most environments
- High cooling capacity with over 27,000 BTU/hr
- Integrated condenser and receiver drier

Air Distribution and Control Panel



Suggested Applications



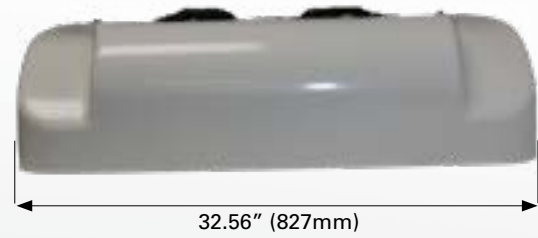
Technical Specifications

Model	Farad 12V
Voltage	12V
Power	A/C: 27,295 BTU/hr (8,0 kW)
Amps	25 A
Maximum air flow	294 SCFM (500 m ³ /hr)
Dimensions (L x W x H)	36.50in x 32.56in x 8.67in (927.2mm x 827mm x 220.1mm)
Weight	77 lbs. (34,9 kg)
Mounting Position	Roof

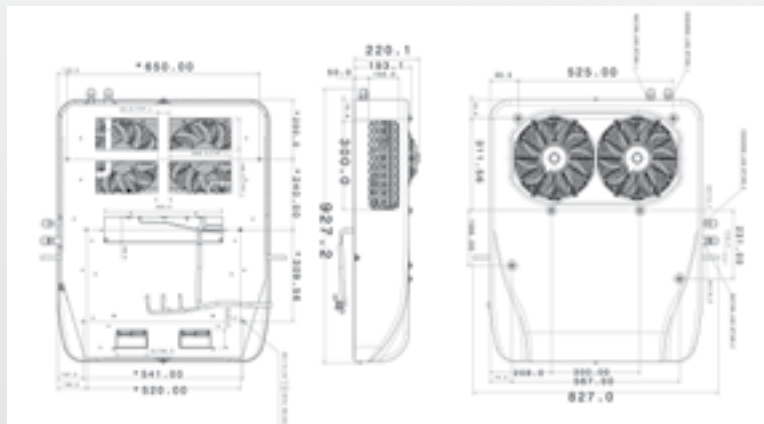
Measurements are listed using the U.S. system with the metric system in parenthesis.

Recommended compressor: minimum TM-21.

Dimensions layout



Line Drawing



Farad Order Guide

Part	Part Number	Notes
Unit Part Number	BSP00044AC12	12V

Engine-Driven Rooftop



When placing an order please contact your sales representative to review your order to ensure the proper system has been identified for your vehicle application.

Availability of the products shown in this catalog is subject to change without notice by Bergstrom, Inc. For the most current product information please visit the Kysor distributor website at <https://parts.kysorhvac.com/>.

Warranty

- 1-year limited warranty



Features

- Heavy-duty steel construction
- Integrated evaporator with double wheel blower
- Variable speed blower switch
- Adjustable thermostat
- Headliner control panel with integrated light
- Integrated receiver drier and single fan condenser
- Order compressor separately
- Order hose kit separately

Air Distribution and Control Panel

System comes with chrome hardware kit. A black hardware kit is also available, see page 697



Suggested Applications

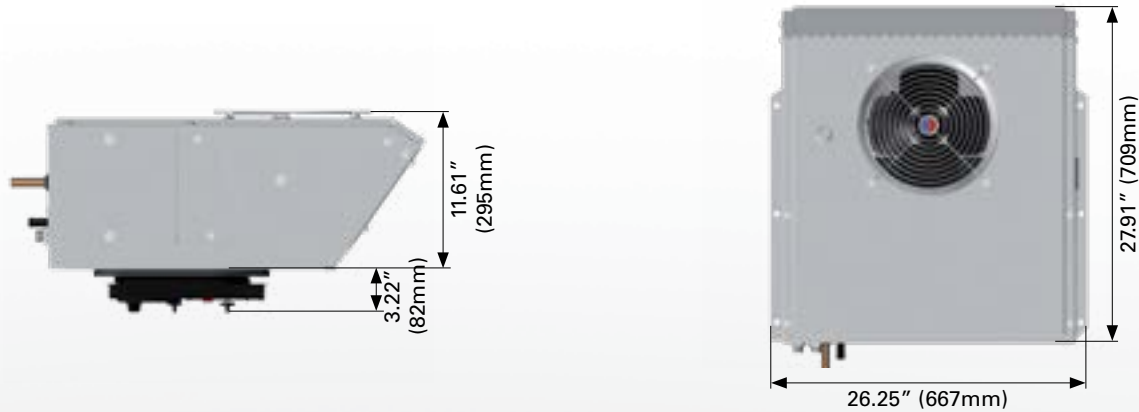


Technical Specifications

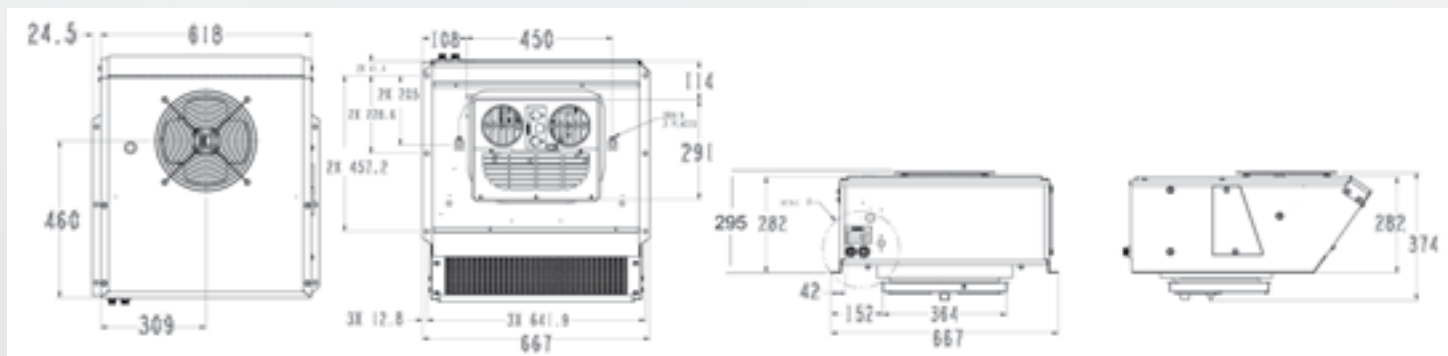
Model	HD-1000 12V	HD-1000 24V
Voltage	12V	24V
Power	25,932 BTU/hr (7,6 kW)	25,932 BTU/hr (7,6 kW)
Amps	32 A	16 A
Maximum air flow	HVAC Blower: 315 SCFM (1,275 m ³ /hr) Fan: 750 SCFM (1,275 m ³ /hr)	HVAC Blower: 315 SCFM (1,275 m ³ /hr) Fan: 750 SCFM (1,275 m ³ /hr)
Dimensions (L x W x H)	27.91in x 26.26in x 11.61in (709mm x 667mm x 295mm)	27.91in x 26.26in x 11.61in (709mm x 667mm x 295mm)
Weight	85.1 lbs. (38,6 kg)	85.1 lbs. (38,6 kg)
Mounting Position	Roof	Roof
Refrigeration Inlet	1/2" (#8) tube inverted male o-ring (3/4-16 UNF thread)	1/2" (#8) tube inverted male o-ring (3/4-16 UNF thread)
Refrigeration Outlet	5/8" (#10) tube inverted male o-ring (7/8-14 UNF thread)	5/8" (#10) tube inverted male o-ring (7/8-14 UNF thread)

Measurements are listed using the U.S. system with the metric system in parenthesis.

Dimensions layout



Line Drawing



HD-1000 System Order Guide

Part	Part Number	Notes
Unit Part Number*	BSP00009AC12 BSP00009AC24	12V 24V

*Installation kit included with the system.

HD-1000 Service Parts Guide

Part	Part Number	Notes
Blower Assembly	1099097 / 1075048	12V / 24V
Resistor	2075006 / 2075008	12V / 24V
Condenser	1575027	12V / 24V
Thermostat	2399004	12V / 24V
Evaporator/Heater Coil	1675017	12V / 24V
Expansion Valve	1875004	12V / 24V
Receiver Drier	1999214	12V / 24V
Switch	High: 2275009, Low: 2275010	12V / 24V
Replacement Recirculation Filter	3175006	12V / 24V
R-134a Hose Kits	3475004 / 3475005	18 ft. / 24 ft.
Black Guard Fan	1000335550	Option to purchase black versus standard chrome
Black M6 Hex Head 25mm Screws	1000898591	Option to purchase black versus standard chrome
Black M6 Hex Head 16mm crews	1000898585	Option to purchase black versus standard chrome
Crimper Kit	2610005	A crimper kit is required. Bergstrom offers a crimper kit for purchase, if needed.



When placing an order please contact your sales representative to review your order to ensure the proper system has been identified for your vehicle application.

Availability of the products shown in this catalog is subject to change without notice by Bergstrom, Inc. For the most current product information please visit the Kysor distributor website at <https://parts.kysorhvac.com/>.

Warranty

• 1-year limited warranty



Features

- Heavy-duty steel construction
- Integrated evaporator with double wheel blower
- Variable speed blower switch
- Adjustable thermostat and water valve controls
- Headliner control panel with integrated light
- Integrated receiver drier and single fan condenser
- Order compressor separately
- Order hose kit separately

Air Distribution and Control Panel

System comes with chrome hardware kit. A black hardware kit is also available, see page 697



Suggested Applications



Technical Specifications

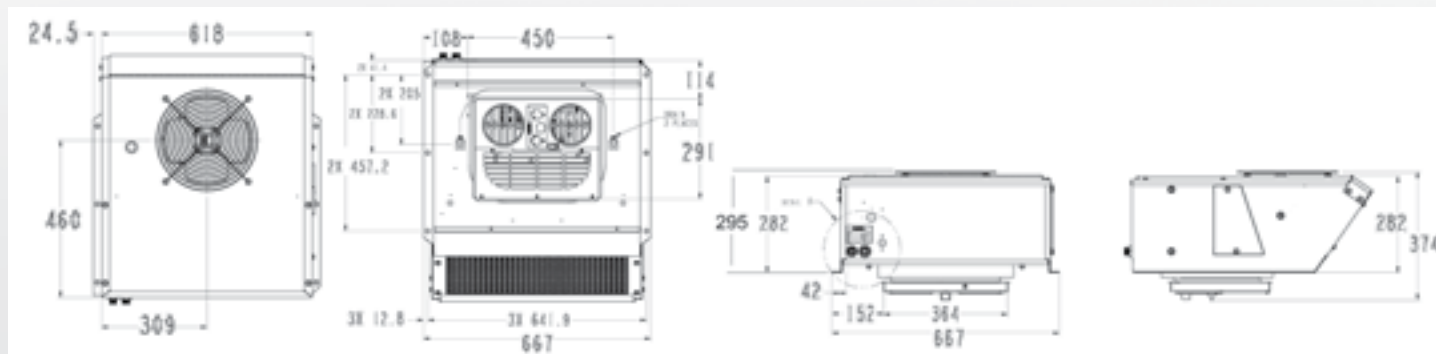
Model	HD-1000 12V	HD-1000 24V
Voltage	12V	24V
Power	Cold: 25,932 BTU/hr (7,6 kW) Hot: 34,120 BTU/hr (10,0 kW)	Cold: 25,932 BTU/hr (7,6 kW) Hot: 34,120 BTU/hr (10,0 kW)
Amps	32 A	16 A
Maximum air flow	315 SCFM (535 m ³ /hr)	4315 SCFM (535 m ³ /hr)
Dimensions (L x W x H)	27.91in x 26.26in x 11.61in (709mm x 667mm x 295mm)	27.91in x 26.26in x 11.61in (709mm x 667mm x 295mm)
Weight	88 lbs. (40,0 kg)	88 lbs. (40,0 kg)
Mounting Position	Roof	Roof
Refrigeration Inlet	1/2" (#8) tube inverted male o-ring (3/4-16 UNF thread)	1/2" (#8) tube inverted male o-ring (3/4-16 UNF thread)
Refrigeration Outlet	5/8" (#10) tube inverted male o-ring (7/8-14 UNF thread)	5/8" (#10) tube inverted male o-ring (7/8-14 UNF thread)

Measurements are listed using the U.S. system with the metric system in parenthesis.

Dimensions layout



Line Drawing



Engine-Driven Rooftop

HD-1000 HVAC Order Guide

Part	Part Number	Notes
Unit Part Number*	BSP00006HVAC12 BSP00006HVAC24	12V 24V

*Installation kit included with the system.

HD-1000 HVAC Service Parts Guide

Part	Part Number	Notes
Blower Assembly	1099097 / 1075048	12V / 24V
Resistor	2075006 / 2075008	12V / 24V
Condenser	1575008	12V / 24V
Thermostat	2399004	12V / 24V
Evaporator/Heater Coil	1675016	12V / 24V
Water Valve	2475002	12V / 24V
Expansion Valve	1875004	12V / 24V
Receiver Drier	1975002	12V / 24V
Switch	High: 2275009, Low: 2275010	12V / 24V
Replacement Recirculation Filter	3175006	12V / 24V
R-134a Hose Kits	3475004 / 3475005	18 ft. / 24 ft.
Black Guard Fan	1000335550	Option to purchase black versus standard chrome
Black M6 Hex Head 25mm Screws	1000898591	Option to purchase black versus standard chrome
Black M6 Hex Head 16mm crews	1000898585	Option to purchase black versus standard chrome
Crimper Kit	2610005	A crimper kit is required. Bergstrom offers a crimper kit for purchase, if needed.



When placing an order please contact your sales representative to review your order to ensure the proper system has been identified for your vehicle application.

Availability of the products shown in this catalog is subject to change without notice by Bergstrom, Inc. For the most current product information please visit the Kysor distributor website at <https://parts.kysorhvac.com/>.

Warranty
• 1-year limited warranty



Features

- Heavy-duty steel base construction
- Integrated double wheel plastic blower
- Headliner control panel with integrated light
- Adjustable thermostat control
- Variable speed blower switch
- Integrated receiver drier and single fan condenser
- High & low pressure switch
- Order compressor separately
- Order hose kit separately

Air Distribution and Control Panel

System comes with chrome hardware kit. A black hardware kit is also available, see page 697



Suggested Applications

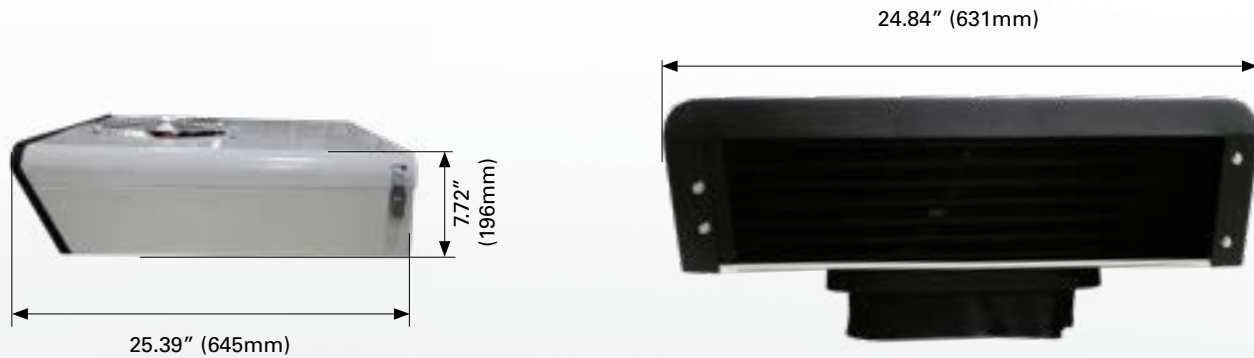


Technical Specifications

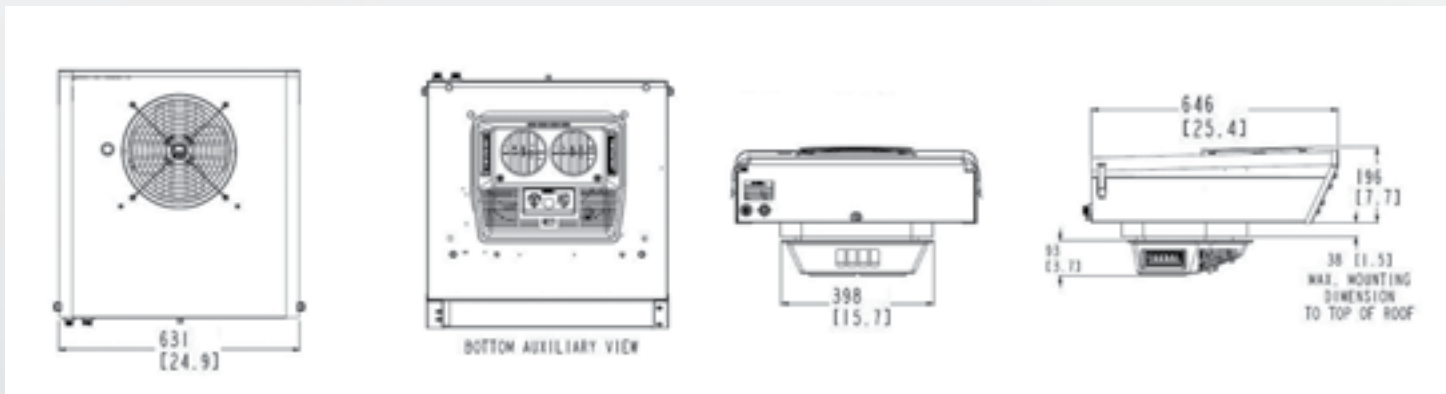
Model	KA-300 12V	KA-300 24V
Voltage	12V	24V
Power	18,900 BTU/hr (5,5 kW)	18,900 BTU/hr (5,5 kW)
Amps	26 A	13 A
Maximum air flow	245 SCFM (416 m ³ /hr)	245 SCFM (416 m ³ /hr)
Dimensions (L x W x H)	25.39in x 24.84in x 7.72in (645mm x 631mm x 196mm)	25.39in x 24.84in x 7.72in (645mm x 631mm x 196mm)
Weight	74 lbs. (33.6 kg)	74 lbs. (33.6 kg)
Mounting Position	Roof	Roof
Refrigeration Inlet	1/2" (#8) tube inverted male o-ring (3/4-16 UNF thread)	1/2" (#8) tube inverted male o-ring (3/4-16 UNF thread)
Refrigeration Outlet	5/8" (#10) tube inverted male o-ring (7/8-14 UNF thread)	5/8" (#10) tube inverted male o-ring (7/8-14 UNF thread)

Measurements are listed using the U.S. system with the metric system in parenthesis.

Dimensions layout



Line Drawing



KA-300 Order Guide

Part	Part Number	Notes
Unit Part Number*	BSP00039AC12 BSP00039AC24	12V 24V

*Installation kit included with the system.

KA-300 Service Parts Guide

Part	Part Number	Notes
Blower Motor	1075044 / 1075046	12V / 24V
Resistor	2075006 / 2075008	12V / 24V
Thermostat	2399004	12V / 24V
Evaporator	1675006	12V / 24V
Fan Switch	2175003	12V / 24V
Expansion Valve	1899035	12V / 24V
Switch (High, Low)	2275005, 2275012	12V / 24V
Receiver Drier	1000310813	12V / 24V
Condenser	1575009	12V / 24V
R-134a Hose Kits	3475004 / 3475005	18 ft. / 24 ft.
Black Guard Fan	1000335550	Option to purchase black versus standard chrome
Black M6 Hex Head 25mm Screws	1000898591	Option to purchase black versus standard chrome
Black M6 Hex Head 16mm Screws	1000898585	Option to purchase black versus standard chrome
Black Latch	1000929194	Option to purchase black versus standard chrome



When placing an order please contact your sales representative to review your order to ensure the proper system has been identified for your vehicle application.

Availability of the products shown in this catalog is subject to change without notice by Bergstrom, Inc. For the most current product information please visit the Kysor distributor website at <https://parts.kysorhvac.com/>.

Warranty

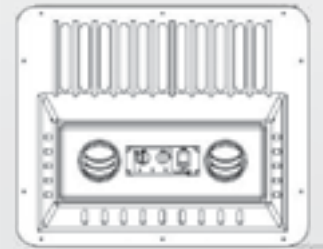
• 1-year limited warranty



Features

- Heavy-duty steel construction with molded cover
- Integrated evaporator with double wheel blower
- 3-speed blower switch
- Adjustable thermostat switch
- Pre-wired
- Integrated headliner control panel
- Integrated receiver drier and dual fan condenser
- Order compressor separately
- Order hose kit separately

Air Distribution and Control Panel



Suggested Applications

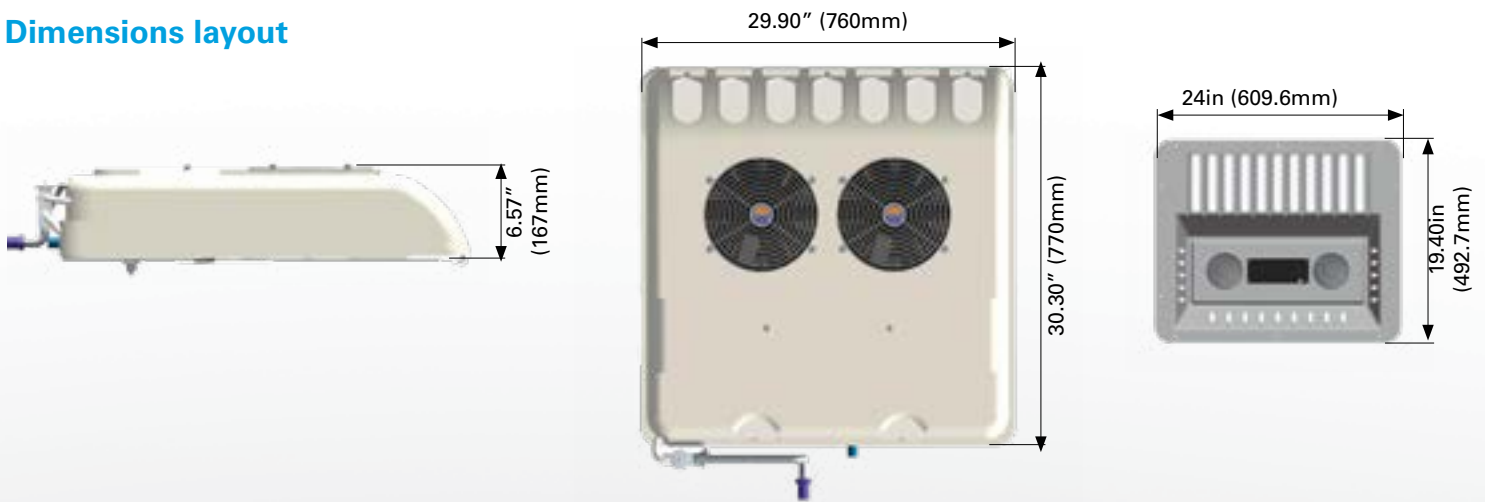


Technical Specifications

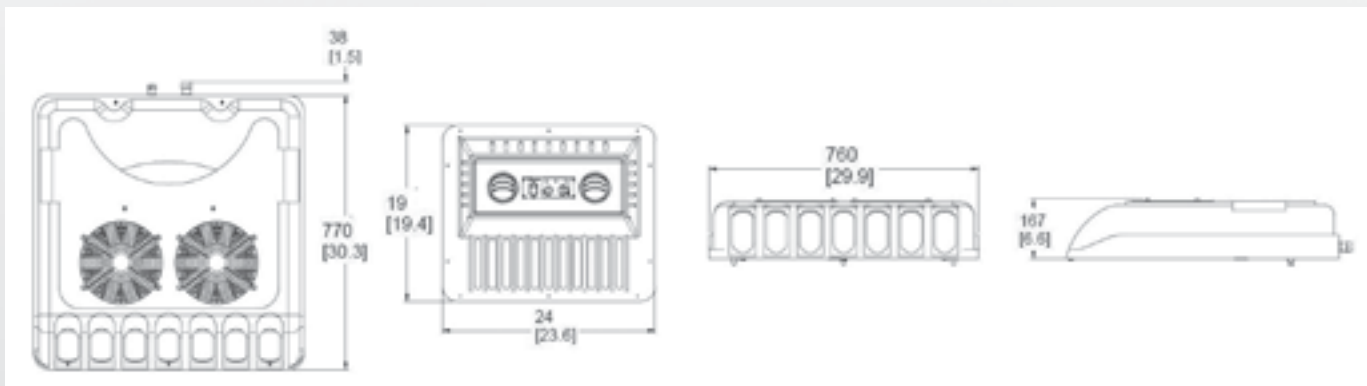
Model	KA-2000 12V	KA-2000 24V
Voltage	12V	24V
Power	20,130 BTU/hr (5,9 kW)	20,130 BTU/hr (5,9 kW)
Amps	26 A	18 A
Maximum air flow	240 SCFM (416 m ³ /hr)	240 SCFM (416 m ³ /hr)
Dimensions (L x W x H)	30.32in x 29.92in x 6.57in (770mm x 760mm x 167mm)	30.32in x 29.92in x 6.57in (770mm x 760mm x 167mm)
Weight	71 lbs. (32,2 kg)	71 lbs. (32,2 kg)
Mounting Position	Roof	Roof
Refrigeration Inlet	1/2" (#8) tube inverted male o-ring (3/4-16 UNF thread)	1/2" (#8) tube inverted male o-ring (3/4-16 UNF thread)
Refrigeration Outlet	5/8" (#10) tube inverted male o-ring (7/8-14 UNF thread)	5/8" (#10) tube inverted male o-ring (7/8-14 UNF thread)

Measurements are listed using the U.S. system with the metric system in parenthesis.

Dimensions layout



Line Drawing



KA-2000 Order Guide

Part	Part Number	Notes
Unit Part Number*	BSP00012AC12	12V
	BSP00012AC24	24V

*Installation kit included with the system.

KA-2000 Service Parts Guide

Part	Part Number	Notes
Blower Assembly	1099107	12V
	1099108	24V
Axial Fan	1099105	12V
	1099106	24V
Condenser	1599103	12V
	1599103	24V
Thermostat	2399024	12V
	2399024	24V
Evaporator	1699007	12V
	1699007	24V
Expansion Valve	1899033	12V
	1899033	24V
Receiver Drier	1999209	12V
	1999209	24V
R-134a Hose kits	3475004	18 ft.
	3475005	24 ft.



When placing an order please contact your sales representative to review your order to ensure the proper system has been identified for your vehicle application.

Availability of the products shown in this catalog is subject to change without notice by Bergstrom, Inc. For the most current product information please visit the Kysor distributor website at <https://parts.kysorhvac.com/>.

Warranty

- 1-year limited warranty

Engine-Driven Headliner Systems

KA-400 SLIMLINE	632
KK-400 SLIMLINE	634
KA-500 HARDHAT	636
KA-7100	638
KA-7300	640
KELVIN A/C	642
KELVIN HVAC	644
PASCAL A/C	646



When placing an order please contact your sales representative to review your order to ensure the proper system has been identified for your vehicle application.

All BSP systems have a 1-year warranty.

Availability of the products shown in this catalog is subject to change without notice by Bergstrom, Inc. For the most current product information please visit the Kysor distributor website at <https://parts.kysorhvac.com/>.



Features

- Heavy-duty steel construction
- Low profile headliner mount A/C
- Double wheel blower
- 3-speed blower switch
- Adjustable thermostat control
- Easy access refrigerant hose connections
- (5) Directional shut-off louvers

Air Distribution and Control Panel



Suggested Applications



Recommended Condenser



KC-500
page 674



KC-750
page 676

KA-400 Slimline Technical Specifications

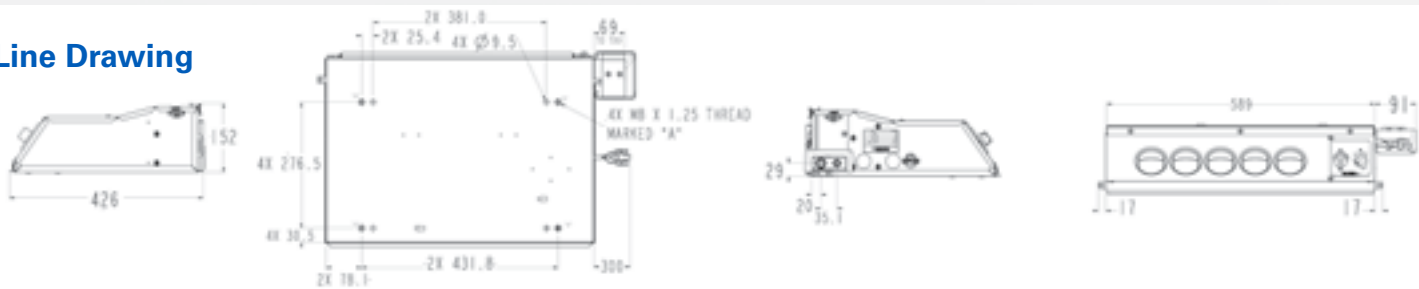
Model	KA-400 12V	KA-400 24V
Voltage	12V	24V
Power	21,838 BTU/hr (6,4 kW)	21,838 BTU/hr (6,4 kW)
Amps	10 A/h	5 A/h
Maximum air flow	280 SCFM (425 m ³ /hr)	280 SCFM (425 m ³ /hr)
Dimensions (L x W x H)	23.19in x 16.77in x 5.98in (589mm x 426mm x 152mm)	23.19in x 16.77in x 5.98in (589mm x 426mm x 152mm)
Weight	26 lbs. (11,8 kg)	26 lbs. (11,8 kg)
Mounting Position	Headliner	Headliner

Measurements are listed using the U.S. system with the metric system in parenthesis.

Dimensions layout



Line Drawing

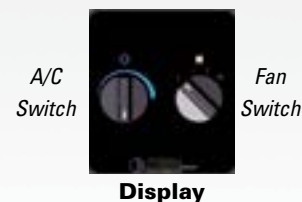


Engine-Driven Headliner

KA-400 Slimline Order Guide*

Part	Part Number	Notes
Unit Part Number	BSP00007AC12 BSP00007AC24	12V 24V
Installation Kit (includes receiver drier and hoses)*	3475068 3475068	12V 24V

*Must purchase all parts in order guide for proper installation.



KA-400 Slimline Service Parts Guide

Part	Part Number	Notes
Blower Assembly	1075056 1075057	12V 24V
Resistor	2075006 2075008	12V 24V
Fan Switch	2199005 2199005	12V 24V
Filter	3475017 3475017	12V 24V
Evaporator	1675015 1675015	12V 24V
Expansion Valve	1899035 1899035	12V 24V
Thermostat	2375001 2375001	12V 24V



When placing an order please contact your sales representative to review your order to ensure the proper system has been identified for your vehicle application.

Availability of the products shown in this catalog is subject to change without notice by Bergstrom, Inc. For the most current product information please visit the Kysor distributor website at <https://parts.kysorhvac.com/>.

Warranty
• 1-year limited warranty



Features

- Heavy-duty steel construction
- Low profile headliner mount A/C
- Double wheel blower
- 3-speed blower switch
- Adjustable thermostat control
- Easy access refrigerant hose connections
- (5) Directional shut-off louvers

Air Distribution and Control Panel



Suggested Applications



Recommended Condenser



KC-500
page 674



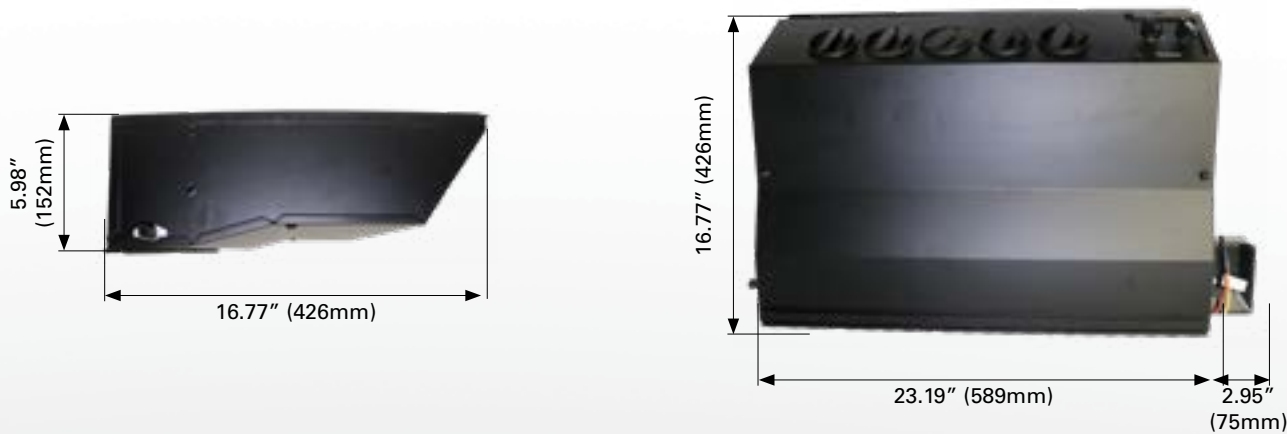
KC-750
page 676

KK-400 Slimline Technical Specifications

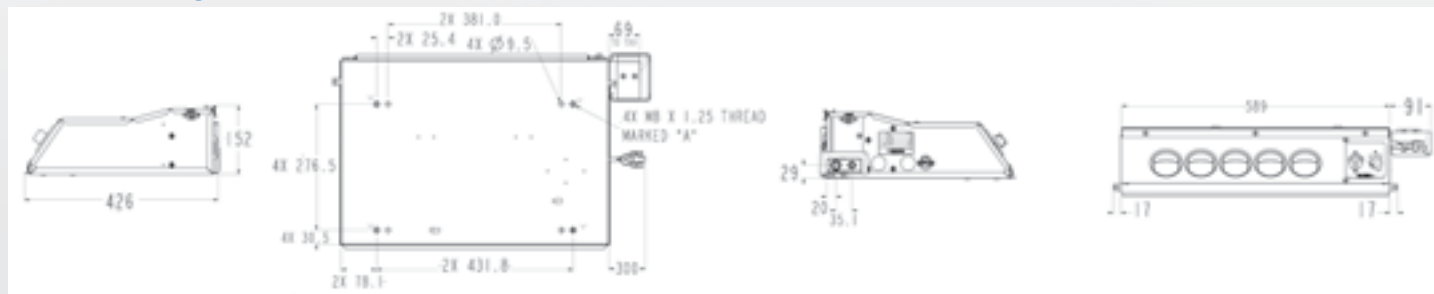
Model	KA-400 12V	KA-400 24V
Voltage	12V	24V
Power	Cold: 21,840 BTU/hr (6,4 kW) Hot: 25,933 BTU/hr (7,6 kW)	Cold: 21,840 BTU/hr (6,4 kW) Hot: 25,933 BTU/hr (7,6 kW)
Amps	10 A	5 A
Maximum air flow	280 SCFM (425 m ³ /hr)	280 SCFM (425 m ³ /hr)
Dimensions (L x W x H)	23.19in x 16.77in x 5.98in (589mm x 426mm x 152mm)	23.19in x 16.77in x 5.98in (589mm x 426mm x 152mm)
Weight	30 lbs. (13,6 kg)	30 lbs. (13,6 kg)
Mounting Position	Headliner	Headliner

Measurements are listed using the U.S. system with the metric system in parenthesis.

Dimensions layout



Line Drawing

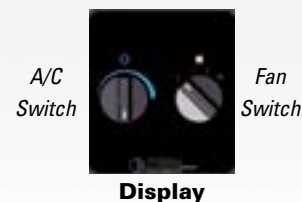


Engine-Driven Headliner

KK-400 Slimline Order Guide*

Part	Part Number	Notes
Unit Part Number	BSP00002HVAC12 BSP00002HVAC24	12V 24V
Installation Kit (includes receiver drier and hoses)*	3475068	12V
	3475068	24V

*Must purchase all parts in order guide for proper installation.



KK-400 Slimline Service Parts Guide

Part	Part Number	Notes
Blower Assembly	1075056	12V
	1075057	24V
Resistor	2075006	12V
	2075008	24V
Fan Switch	2199005	12V
	2199005	24V
Filter	3475017	12V
	3475017	24V
Evaporator	1675015	12V
	1675015	24V
Expansion Valve	1899035	12V
	1899035	24V
Thermostat	2375001	12V
	2375001	24V



When placing an order please contact your sales representative to review your order to ensure the proper system has been identified for your vehicle application.

Availability of the products shown in this catalog is subject to change without notice by Bergstrom, Inc. For the most current product information please visit the Kysor distributor website at <https://parts.kysorhvac.com/>.

Warranty

- 1-year limited warranty



Features

- Heavy-duty steel base construction
- Molded cover
- (6) Directional louvers
- 3-speed blower switch
- Adjustable thermostat control
- Easy access refrigerant hose connections
- Easy access to washable recirculating air filter
- External refrigerant and power connections

Air Distribution and Control Panel



Suggested Applications



Recommended Condenser



KC-110
page 670



KC-440
page 672

KA-500 Hardhat Technical Specifications

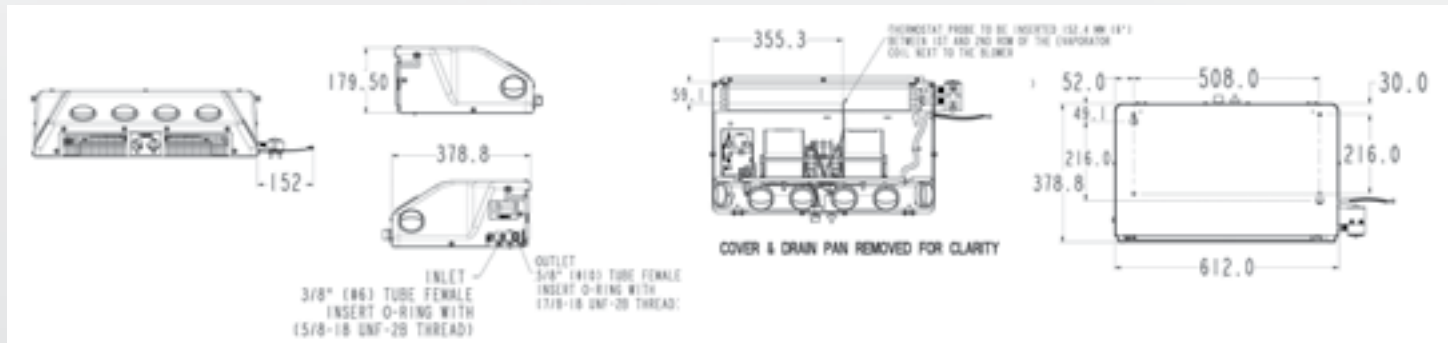
Model	KA-500 12V	KA-500 24V
Voltage	12V	24V
Power	29,345 BTU/hr (8,6 kW)	29,345 BTU/hr (8,6 kW)
Amps	13.3 A/h	7.2 A/h
Maximum air flow	305 SCFM (518 m ³ /hr)	305 SCFM (518 m ³ /hr)
Dimensions (L x W x H)	14.91in x 24.09in x 7.07in (378.8mm x 612mm x 179.5mm)	24.09in x 14.91in x 7.07in (612mm x 378.8mm x 179.5mm)
Weight	35.1 lbs. (15,9 kg)	35.1 lbs. (15,9 kg)
Mounting Position	Headliner	Headliner

Measurements are listed using the U.S. system with the metric system in parenthesis.

Dimensions layout



Line Drawing



KA-500 Hardhat Order Guide*

Part	Part Number	Notes
Unit Part Number	BSP00035AC12	12V
	BSP00035AC24	24V
Installation Kit (includes receiver drier and hoses)	3475067	12V
	3475067	24V

*Must purchase all parts in order guide for proper installation.

KA-500 Hardhat Service Parts Guide

Part	Part Number	Notes
Blower Motor	1075044	12V
	1075046	24V
Resistor	2075006	12V
	2075008	24V
Thermostat	2375001	12V
	2375001	24V
Evaporator	1675026	12V
	1675026	24V
Fan Switch	2199005	12V
	2199005	24V
Recirculating Filter	3175011	12V
	3175011	24V
Fresh Air Filter	3175002	12V
	3175002	24V
Expansion Valve	1899035	12V
	1899035	24V



When placing an order please contact your sales representative to review your order to ensure the proper system has been identified for your vehicle application.

Availability of the products shown in this catalog is subject to change without notice by Bergstrom, Inc. For the most current product information please visit the Kysor distributor website at <https://parts.kysorhvac.com/>.

Warranty

- 1-year limited warranty



Features

- Heavy-duty steel base
- 3-speed double blower package
- Molded cover
- Adjustable thermostat control
- (2) Directional louvers
- Heavy-duty headliner A/C
- Recirculating air filter - easily accessible & washable

Air Distribution and Control Panel



Suggested Applications

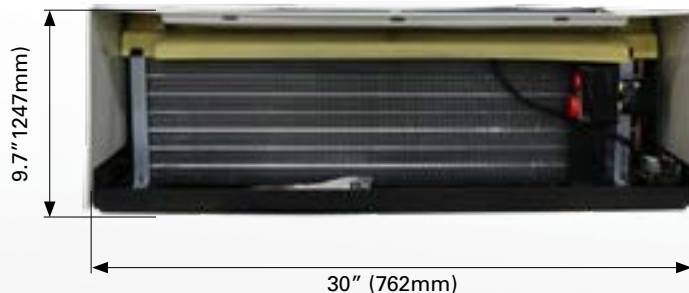


KA-7100 Technical Specifications

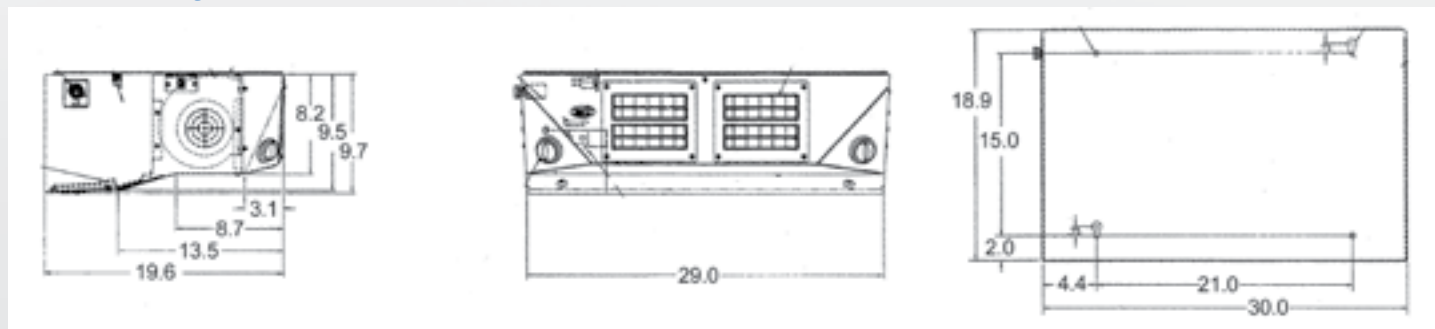
Model	KA-7100 12V
Voltage	12V
Power	49,500 BTU/hr (14,5 kW)
Amps	16.2 A/h
Maximum air flow	550 SCFM (935 m ³ /hr)
Dimensions (L x W x H)	30.0in x 19.6in x 9.7in (762mm x 498mm x 247mm)
Weight	35.1 lbs. (15,9 kg)
Mounting Position	Headliner

Measurements are listed using the U.S. system with the metric system in parenthesis.

Dimensions layout



Line Drawing



Engine-Driven Headliner

KA-7100 Order Guide*

Part	Part Number	Notes
Unit Part Number	BSP00037AC12	12V
Universal Hose Kit	3475087	
Wiring Kit	3475060	

*Must purchase all parts in order guide for proper installation.

KA-7100 Service Parts Guide

Part	Part Number	Notes
Blower Motor	1075018	12V
Resistor	2099006	12V
Thermostat	2375001	12V
Evaporator	1675020	12V
Filter	3475019	12V
Expansion Valve	1817001	12V



When placing an order please contact your sales representative to review your order to ensure the proper system has been identified for your vehicle application.

Availability of the products shown in this catalog is subject to change without notice by Bergstrom, Inc. For the most current product information please visit the Kysor distributor website at <https://parts.kysorhvac.com/>.

Warranty

- 1-year limited warranty



Features

- Heavy-duty steel construction
- (2) 3-speed double blowers
- Adjustable thermostat control
- (4) Directional louvers
- Heavy-duty headliner A/C
- Recirculating air filter - easily accessible & washable

Air Distribution and Control Panel



Suggested Applications

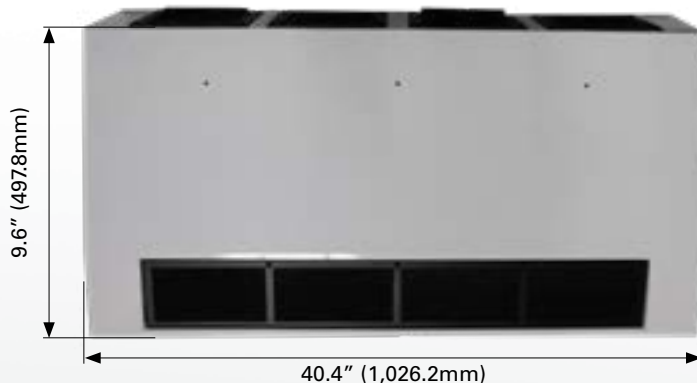
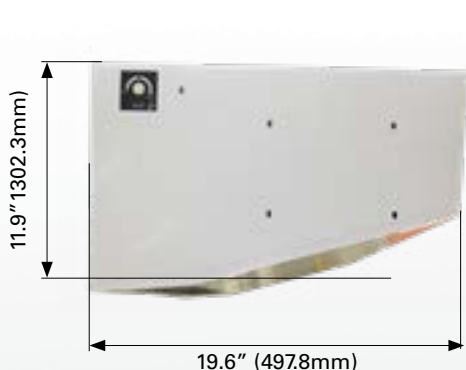


KA-7300 Technical Specifications

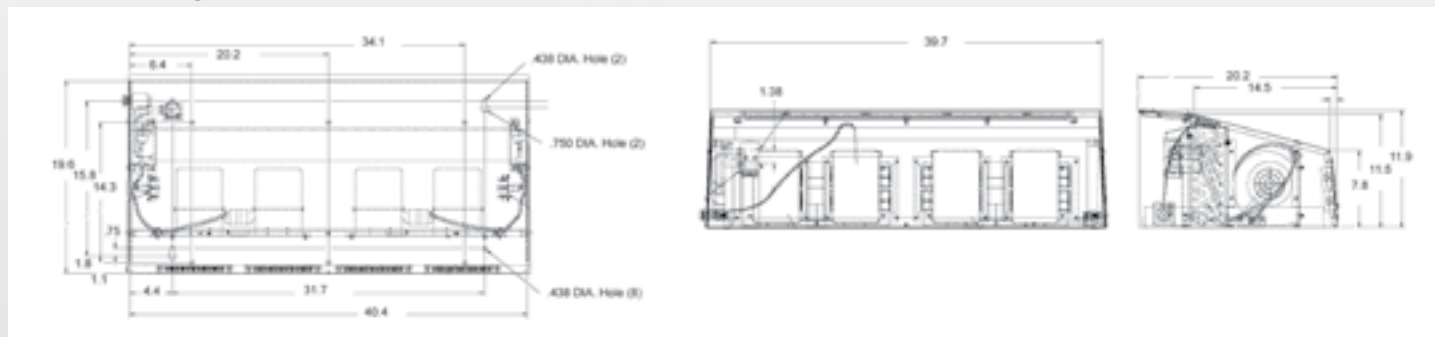
Model	KA-7100 12V
Voltage	12V
Power	75,408 BTU/hr (22,1 kW)
Amps	15 A - 30 A
Maximum air flow	940 SCFM (1597 m ³ /hr)
Dimensions (L x W x H)	40.4in x 20.2in x 11.9in (1026.2mm x 513mm x 302.3mm)
Weight	68 lbs. (30,8 kg)
Mounting Position	Headliner

Measurements are listed using the U.S. system with the metric system in parenthesis.

Dimensions layout



Line Drawing



Engine-Driven Headliner

KA-7300 Order Guide*

Part	Part Number	Notes
Unit Part Number	BSP00038AC12	12V
Universal Hose Kit	3475087	
Wiring Kit	3475060	

*Must purchase all parts in order guide for proper installation.

KA-7300 Service Parts Guide

Part	Part Number	Notes
Blower Motor	1075018	12V
Resistor	2099006	12V
Thermostat	2375001	12V
Evaporator	1675020	12V
Filter	3475020	12V
Expansion Valve	1817001	12V



When placing an order please contact your sales representative to review your order to ensure the proper system has been identified for your vehicle application.

Availability of the products shown in this catalog is subject to change without notice by Bergstrom, Inc. For the most current product information please visit the Kysor distributor website at <https://parts.kysorhvac.com/>.

Warranty

• 1-year limited warranty



Features

- Shell constructed with durable molded plastic
- Integrated twin scroll blower
- 4 air outlets (choice of spigot or louver)
- 3 fan speeds
- TXV included

Suggested Applications



Air Distribution and Control Panel



See other available panel options page 698

Recommended Condenser



KC-110
page 670



KC-750
page 676

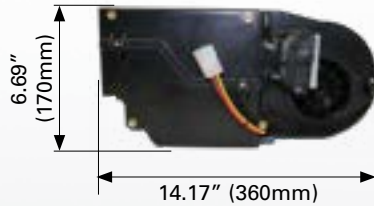
Kelvin A/C Technical Specifications

Model	Kelvin A/C 12V	Kelvin A/C 24V
Voltage	12V	24V
Power	20,810 BTU/hr (6,1 kW)	20,810 BTU/hr (6,1 kW)
Amps	21.6 A/h	11 A/h
Maximum air flow	460 SCFM (780 m ³ /hr)	460 SCFM (780 m ³ /hr)
Dimensions (L x W x H)	14.71in x 16.53in x 6.69in (360mm x 421mm x 170mm)	14.71in x 16.53in x 6.69in (360mm x 421mm x 170mm)
Weight	14.3 lbs. (6,5 kg)	14.3 lbs. (6,5 kg)
Mounting Position	Horizontal (Floor or Headliner)	Horizontal (Floor or Headliner)

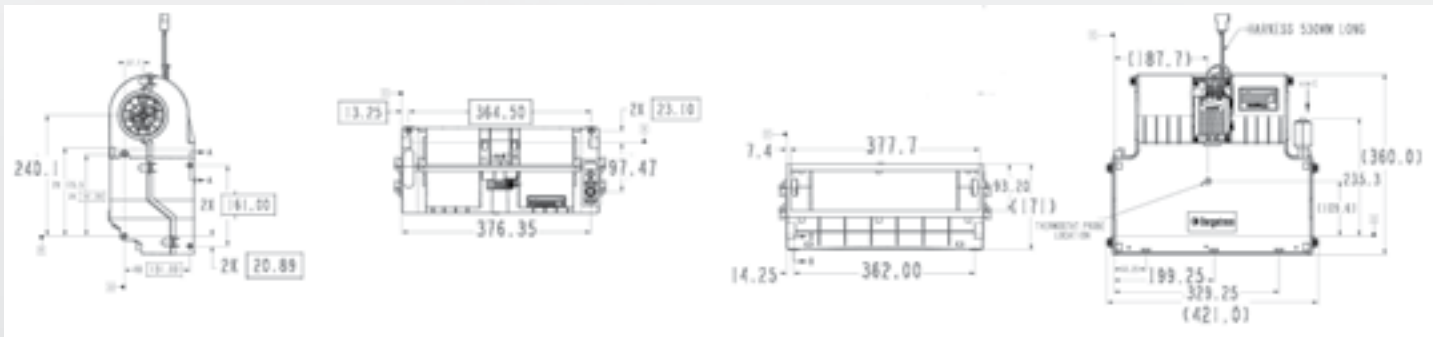
(*) System output (BTU/hr) is based on system component-calculated capacities in accordance with ISO1515 standard test conditions: outside temperature 100°F (38°C), humidity 40%.

Measurements are listed using the U.S. system with the metric system in parenthesis.

Dimensions layout



Line Drawing



Kelvin A/C Order Guide*

Part	Part Number	Notes
Unit Part Number	BSP00026AC12 BSP00026AC24	12V 24V
Harness	BSP00001CONHAR BSP00002CONHAR BSP00007CONHAR BSP00008CONHAR	4 meters of hose for 12V 8 meters of hose fvor 12V 4 meters of hose for 24V 8 meters of hose fvor 24V
Control Panel	BSP00001CONPAN BSP00002CONPAN BSP00003CONPAN 1001226778	Vertical 12V Horizontal 12V Vertical 24V Horizontal 24V
Fascia Panel	BSP00001PANELKIT BSP00002PANELKIT BSP00004PANELKIT	Four Spigot Outlets Four Chrome and Black Louvers Four Black and Black Louvers
Bracket	BSP00003MOUNTKIT BSP00005MOUNTKIT	Floor/Ceiling Mount Wall/Bulkhead Mount
Condensate Kit	BSP00001DRAINKIT BSP00002DRAINKIT	Single Side Double Side

*Must purchase one option in each category of the order guide for proper installation.

Kelvin A/C Service Parts Guide

Part	Part Number	Notes
Blower Motor	1000757353 / 1000796197	12V / 24V
Resistor	2099027	12V / 24V
Evaporator	1000750666	12V / 24V
Expansion Valve	0990013359	12V / 24V
Actuator	1000593041	12V / 24V
Actuator Screws	1000204696	12V / 24V
Thermostat	BSP0001THERM12V-E / Call	12V / 24V



When placing an order please contact your sales representative to review your order to ensure the proper system has been identified for your vehicle application.

Availability of the products shown in this catalog is subject to change without notice by Bergstrom, Inc. For the most current product information please visit the Kysor distributor website at <https://parts.kysorhvac.com/>.

Warranty

- 1-year limited warranty



Features

- Shell constructed with durable molded plastic
- Integrated twin scroll blower
- 4 air outlets (choice of spigot or louver)
- 3 fan speeds
- TXV included
- Integrated heater core

Air Distribution and Control Panel



Spigot



Louver



See other available panel options page page 698

Suggested Applications



Recommended Condenser



KC-110
page 670



KC-750
page 676

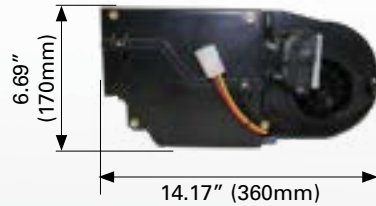
Kelvin HVAC Technical Specifications

Model	Kelvin HVAC 12V	Kelvin HVAC 24V
Voltage	12V	24V
Power	Cold: 20,810 BTU/hr (6,1 kW) Hot: 32,410 BTU/hr (9,6 kW)	Cold: 20,810 BTU/hr (6,1 kW) Hot: 32,410 BTU/hr (9,6 kW)
Amps	20 A	10.5 A
Maximum air flow	410 SCFM (650 m ³ /hr)	410 SCFM (650 m ³ /hr)
Dimensions (L x W x H)	14.71in x 16.53in x 6.69in (360mm x 421mm x 170mm)	14.71in x 16.53in x 6.69in (360mm x 421mm x 170mm)
Weight	13.9 lbs. (6.5 kg)	13.9 lbs. (6.5 kg)
Mounting Position	Horizontal (Floor or Headliner)	Horizontal (Floor or Headliner)

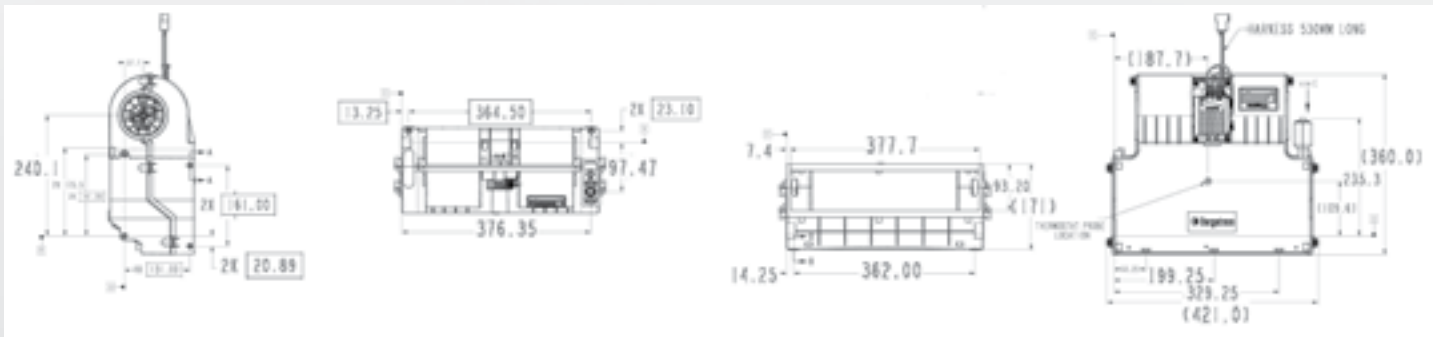
(*) System output (BTU/hr) is based on system component-calculated capacities in accordance with ISO1515 standard test conditions: outside temperature 100°F (38°C), humidity 40%.

Measurements are listed using the U.S. system with the metric system in parenthesis.

Dimensions layout



Line Drawing



Kelvin HVAC Order Guide*

Part	Part Number	Notes
Unit Part Number	BSP00014HVAC12 BSP00014HVAC24	12V 24V
Harness	BSP00005CONHAR BSP00006CONHAR BSP00009CONHAR BSP00010CONHAR	4 meters of hose for 12V 8 meters of hose fvor 12V 4 meters of hose for 24V 8 meters of hose fvor 24V
Control Panel	BSP00007CONPAN 1001327197	Vertical Horizontal
Fascia Panel	BSP00001PANELKIT BSP00002PANELKIT BSP00004PANELKIT	Four Spigot Outlets Four Chrome and Black Louvers Four Black and Black Louvers
Bracket	BSP00003MOUNTKIT BSP00005MOUNTKIT	Floor/Ceiling Mount Wall/Bulkhead Mount
Condensate Kit	BSP00001DRAINKIT BSP00002DRAINKIT	Single Side Double Side

*Must purchase one option in each category of the order guide for proper installation.

Kelvin HVAC Service Parts Guide

Part	Part Number	Notes
Blower Motor	1000757353 / 1000796197	12V / 24V
Resistor	2099027	12V / 24V
Evaporator	1000750666	12V / 24V
Heater Coil	1000960129	12V / 24V
Water Valve	1001597661 / 2499157	12V / 24V
Expansion Valve	0990013359	12V / 24V
Actuator	1000593041	12V / 24V
Actuator Screws	1000204696	12V / 24V
Thermostat	BSP0001THERM12V-E / Call	12V / 24V



When placing an order please contact your sales representative to review your order to ensure the proper system has been identified for your vehicle application.

Availability of the products shown in this catalog is subject to change without notice by Bergstrom, Inc. For the most current product information please visit the Kysor distributor website at <https://parts.kysorhvac.com/>.

Warranty

• 1-year limited warranty



Features

- Shell constructed with durable molded plastic
- Integrated twin scroll blowers
- 3 air outlets (choice of spigot or louver)
- 3 fan speeds
- TXV included

Air Distribution and Control Panel



Spigot



Louver

See other available panel options page 698

Suggested Applications



Recommended Condenser



KC-90
page 668



KC-500
page 674



KC-750
page 676

Pascal A/C Technical Specifications

Model	Pascal A/C 12V	Pascal A/C 24V
Voltage	12V	24V
Power	Cold: 20,810 BTU/hr (6,1 kW) Hot: 32,410 BTU/hr (9,6 kW)	Cold: 20,810 BTU/hr (6,1 kW) Hot: 32,410 BTU/hr (9,6 kW)
Amps	20 A	10.5 A
Maximum air flow	410 SCFM (650 m ³ /hr)	410 SCFM (650 m ³ /hr)
Dimensions (L x W x H)	14.71in x 16.53in x 6.69in (360mm x 421mm x 170mm)	14.71in x 16.53in x 6.69in (360mm x 421mm x 170mm)
Weight	13.9 lbs. (6.5 kg)	13.9 lbs. (6.5 kg)
Mounting Position	Horizontal (Floor or Headliner)	Horizontal (Floor or Headliner)

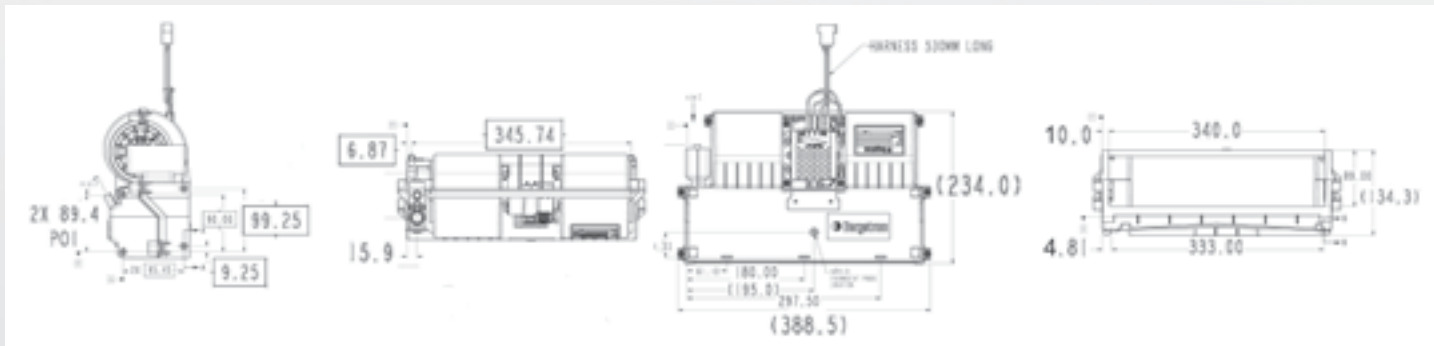
(*) System output (BTU/hr) is based on system component-calculated capacities in accordance with ISO1515 standard test conditions: outside temperature 100°F (38°C), humidity 40%.

Measurements are listed using the U.S. system with the metric system in parenthesis.

Dimensions layout



Line Drawing



Engine-Driven Headliner

Pascal A/C Order Guide*

Part	Part Number	Notes
Unit Part Number	BSP00025AC12 BSP00025AC24	12V 24V
Harness	BSP00001CONHAR BSP00002CONHAR	4 meters of hose 8 meters of hose
Control Panel	BSP00001CONPAN BSP00002CONPAN	Vertical Horizontal
Fascia Panel	BSP00003PANELKIT BSP00005PANELKIT BSP00006PANELKIT	Three Chrome and Black Louvers Three Spigot Outlets Three Black and Black Louvers
Bracket	BSP00004MOUNTKIT BSP00006MOUNTKIT	Floor/Ceiling Mount Wall/Bulkhead Mount
Condensate Kit	BSP00001DRAINKIT BSP00002DRAINKIT	Single Side Double Side

*Must purchase one option in each category of the order guide for proper installation.

Pascal A/C Service Parts Guide

Part	Part Number	Notes
Blower Motor	1000777603 / 1000783637	12V / 24V
Resistor	2099027	12V / 24V
Evaporator	1000763896	12V / 24V
Expansion Valve	0990013359	12V / 24V
Water Valve	1000651116	12V / 24V
Actuator	1000593041	12V / 24V
Actuator Screws	1000240696	12V / 24V
Thermostat	BSP0001THERM12V-E / Call	12V / 24V



When placing an order please contact your sales representative to review your order to ensure the proper system has been identified for your vehicle application.

Availability of the products shown in this catalog is subject to change without notice by Bergstrom, Inc. For the most current product information please visit the Kysor distributor website at <https://parts.kysorhvac.com/>.

Warranty

- 1-year limited warranty

Engine-Driven Backwall Systems

KA-550 SLIMLINE	650
KK-550 SLIMLINE	652
KK-600 BACKPACK	654
KA-710 SIDEKICK	656
VERTICAL GRANDE A/C	658
VERTICAL GRANDE HVAC	660
VERTICAL PICCOLO A/C	662



When placing an order please contact your sales representative to review your order to ensure the proper system has been identified for your vehicle application.

All BSP systems have a 1-year warranty.

Availability of the products shown in this catalog is subject to change without notice by Bergstrom, Inc. For the most current product information please visit the Kysor distributor website at <https://parts.kysorhvac.com/>.



Features

- Heavy-duty steel construction
- Durable double wheel blower
- 3-speed blower switch
- Adjustable thermostat
- Easy access refrigerant hose connections
- (3) 3" Directional top louvers
- (2) 3" Directional front louvers
- Adjustable fresh air | recirculating air door

Air Distribution and Control Panel



Suggested Applications



Recommended Condenser



KC-90
page 668



KC-500
page 674



KC-750
page 676



KC-3000
page 678

Technical Specifications

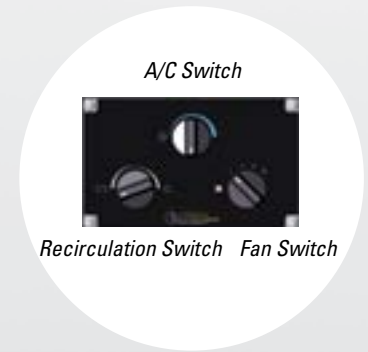
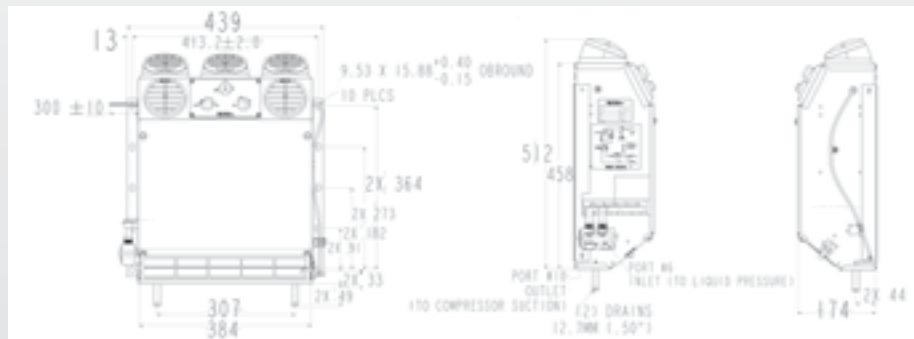
Model	KA-550 12V	KA-550 24V
Voltage	12V	24V
Power	19,449 BTU/hr (5,7 kW)	19,449 BTU/hr (5,7 kW)
Amps	12 A	7 A
Maximum air flow	275 SCFM (467 m ³ /hr)	275 SCFM (467 m ³ /hr)
Dimensions (W x H x D)	17.28in x 20.16in x 6.85in (439mm x 512mm x 174mm)	17.28in x 20.16in x 6.85in (439mm x 512mm x 174mm)
Weight	34 lbs. (15,4 kg)	34 lbs. (15,4 kg)
Mounting Position	Wall	Wall

Measurements are listed using the U.S. system with the metric system in parenthesis.

Dimensions layout



Line Drawing



Engine-Driven Backwall

KA-550 Slimline Order Guide*

Part	Part Number	Notes
Unit Part Number	BSP00008AC12 BSP00008AC24	12V 24V
Installation Kit (includes receiver drier and hoses)	3475069	12V 24V

*Must purchase all parts in order guide for proper installation.

KA-550 Slimline Service Parts Guide

Part	Part Number	Notes
Blower Assembly	1075044 1075046	12V 24V
Resistor	2099016 2075008	12V 24V
Filter	3175012	12V 24V
Evaporator	1675019	12V 24V
Expansion Valve	1899046	12V 24V
Fresh Air Filter	3475053	12V 24V
Recirculating Air Filter	3175012	12V 24V



When placing an order please contact your sales representative to review your order to ensure the proper system has been identified for your vehicle application.

Availability of the products shown in this catalog is subject to change without notice by Bergstrom, Inc. For the most current product information please visit the Kysor distributor website at <https://parts.kysorhvac.com/>.

Warranty

- 1-year limited warranty



Features

- Heavy-duty steel construction
- Durable double wheel blower
- 3-speed blower switch
- Adjustable thermostat and water valve controls
- Easy access refrigerant hose connections
- (3) 3" Directional top louvers
- (2) 3" directional front louvers
- Adjustable fresh air | recirculating air door

Air Distribution and Control Panel



Suggested Applications



Recommended Condenser



KC-90
page 668



KC-500
page 674



KC-750
page 676



KC-3000
page 678

Technical Specifications

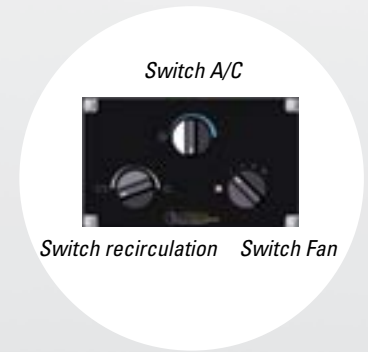
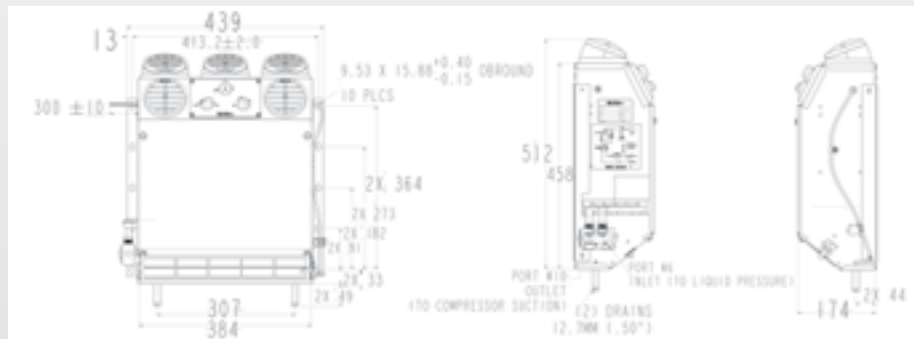
Model	KK-550 12V	KK-550 24V
Voltage	12V	24V
Power	Cold: 19,449 BTU/hr (5,7 kW) Hot: 33,500 BTU/hr (9,8 kW)	Cold: 19,449 BTU/hr (5,7 kW) Hot: 33,500 BTU/hr (9,8 kW)
Amps	12 A	7 A
Maximum air flow	275 SCFM (467 m ³ /hr)	275 SCFM (467 m ³ /hr)
Dimensions (W x H x D)	17.28in x 6.85in x 20.16in (439mm x 174mm x 512mm)	17.28in x 6.85in x 20.16in (439mm x 174mm x 512mm)
Weight	37.04 lbs. (16,8 kg)	37.04 lbs. (16,8 kg)
Mounting Position	Wall	Wall

Measurements are listed using the U.S. system with the metric system in parenthesis.

Dimensions layout



Line Drawing



Engine-Driven Backwall

KK-550 Slimline Order Guide*

Part	Part Number	Notes
Unit Part Number	BSP00003HVAC12 BSP00003HVAC24	12V 24V
Installation Kit (includes receiver drier and hoses)	3475069 3475069	12V 24V

*Must purchase all parts in order guide for proper installation.

KK-550 Slimline Service Parts Guide

Part	Part Number	Notes
Blower Assembly	1099097 1075046	12V 24V
Resistor	2099016 2075001	12V 24V
Filter	3175004	12V / 24V
Evaporator	1675019	12V / 24V
Expansion Valve	1899046	12V / 24V
Heater Coil	1775013	12V / 24V
Water Valve	2499116	12V / 24V
Fresh Air Filter	3475053	12V / 24V
Recirculating Air Filter	3175012	12V / 24V



When placing an order please contact your sales representative to review your order to ensure the proper system has been identified for your vehicle application.

Availability of the products shown in this catalog is subject to change without notice by Bergstrom, Inc. For the most current product information please visit the Kysor distributor website at <https://parts.kysorhvac.com/>.

Warranty

- 1-year limited warranty



Features

- Heavy-duty steel construction
- 3-speed blower switch
- Adjustable thermostat and water valve controls
- Double wheel blower
- Easy access refrigerant and heater hose connections
- (3) 3" directional top louvers
- (4) directional front louvers

Air Distribution and Control Panel



Suggested Applications



Recommended Condenser



KC-110
page 670

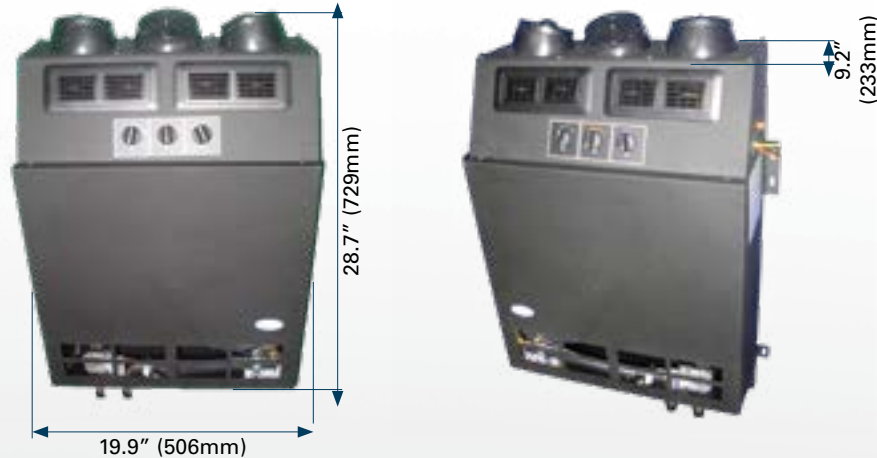
Technical Specifications

Model	KK-600 Backpack 12V	KK-600 Backpack 24V
Voltage	12V	24V
Power	Cold: 33,439 BTU/hr (9,8 kW) Hot: 47,770 BTU/hr (14,0 kW)	Cold: 33,439 BTU/hr (9,8 kW) Hot: 47,770 BTU/hr (14,0 kW)
Amps	12 A	6 A
Maximum air flow	325 SCFM (552 m ³ /hr)	325 SCFM (552 m ³ /hr)
Dimensions (W x H x D)	19.9in x 28.7in x 9.2in (506mm x 729mm x 233mm)	19.9in x 28.7in x 9.2in (506mm x 729mm x 233mm)
Weight	70 lbs. (31.8 kg)	70 lbs. (31.8 kg)
Mounting Position	Wall	Wall

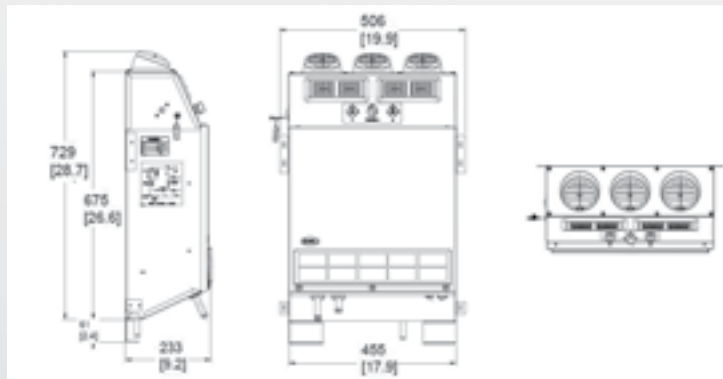
Measurements are listed using the U.S. system with the metric system in parenthesis.

Recommended Compressor: TM-21

Dimensions layout



Line Drawing



Engine-Driven Backwall

KK-600 Backpack Order Guide*

Part	Part Number	Notes
Unit Part Number	BSP00016HVAC12 BSP00016HVAC24	12V 24V
Installation Kit (includes receiver drier and hoses)	3475070 3475070	12V 24V

*Must purchase all parts in order guide for proper installation.

KK-600 Backpack Service Parts Guide

Part	Part Number	Notes
Blower Motor	1099087 1075048	12V 24V
Blower Wheel	1199028	12V / 24V
Resistor	2075006 2075008	12V 24V
Thermostat	2399004	12V / 24V
Evaporator	1675010	12V / 24V
Expansion Valve	1899046	12V / 24V
Heater Coil	1775007	12V / 24V
Water Valve	2499116	12V / 24V
Relay	2475010	12V / 24V



When placing an order please contact your sales representative to review your order to ensure the proper system has been identified for your vehicle application.

Availability of the products shown in this catalog is subject to change without notice by Bergstrom, Inc. For the most current product information please visit the Kysor distributor website at <https://parts.kysorhvac.com/>.

Warranty

- 1-year limited warranty



Features

- Heavy-duty steel base construction
- Double wheel blower
- 3-speed blower switch
- Adjustable temperature control
- (4) 3" adjustable front louvers

Air Distribution and Control Panel



Suggested Applications



Recommended Condenser



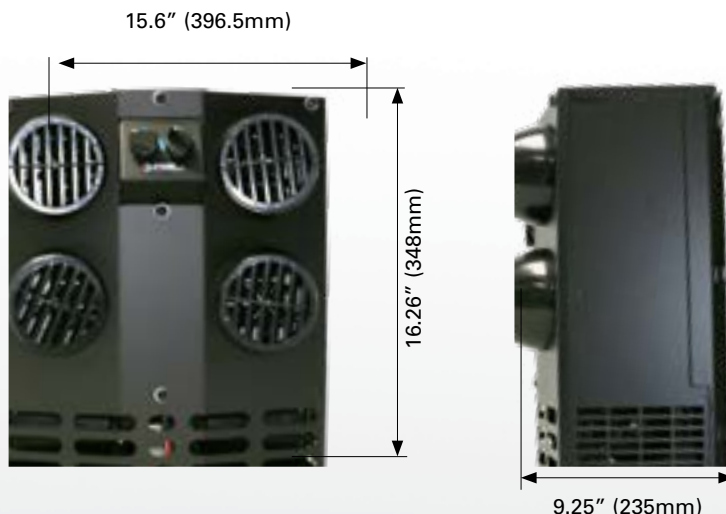
KC-110
page 670

Technical Specifications

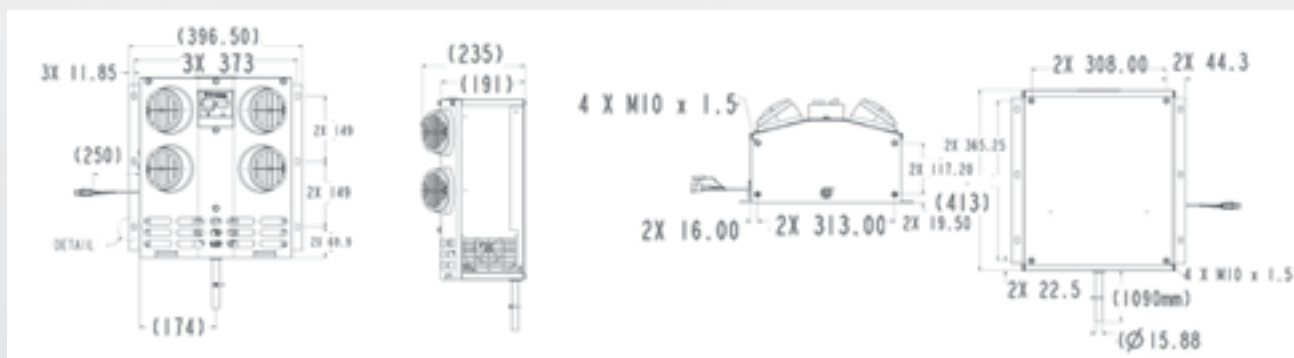
Model	KA-710 Sidekick 12V	KA-710 Sidekick 24V
Voltage	12V	24V
Power	24,500 BTU/hr (7,2 kW)	24,500 BTU/hr (7,2 kW)
Amps	14 A	7 A
Maximum air flow	285 SCFM (484 m ³ /hr)	285 SCFM (484 m ³ /hr)
Dimensions (W x H x D)	15.6in x 15.61in x 9.25in (396.5mm x 396.5mm x 235mm)	15.6in x 15.61in x 9.25in (396.5mm x 396.5mm x 235mm)
Weight	29 lbs. (13,2 kg)	29 lbs. (13,2 kg)
Mounting Position	Wall	Wall

Measurements are listed using the U.S. system with the metric system in parenthesis.

Dimensions layout



Line Drawing



Engine-Driven Backwall

KA-710 Sidekick Order Guide*

Part	Part Number	Notes
Unit Part Number	BSP00036AC12 BSP00036AC24	12V 24V
Installation Kit (includes receiver drier, wall mounting kit and hoses)	3475098	12V 24V
Floor Mounting Kit (Optional)	3475099	12V / 24V

*Must purchase all parts in order guide for proper installation.

KA-710 Sidekick Service Parts Guide

Part	Part Number	Notes
Blower Motor	1075043 1075047	12V 24V
Resistor	2075006 2075008	12V 24V
Thermostat	2399004	12V / 24V
Evaporator	1675001	12V / 24V
Fan Switch	2199005	12V / 24V
Expansion Valve	1899046	12V / 24V
Filter	3175005	12V / 24V
Condenser	1599100	12V / 24V



When placing an order please contact your sales representative to review your order to ensure the proper system has been identified for your vehicle application.

Availability of the products shown in this catalog is subject to change without notice by Bergstrom, Inc. For the most current product information please visit the Kysor distributor website at <https://parts.kysorhvac.com/>.

Warranty

- 1-year limited warranty



Features

- Heavy-duty steel construction
- Durable double wheel blower
- Variable speed blower switch
- Adjustable thermostat
- 3-speed blower switch
- (3) Directional top louvers

Air Distribution and Control Panel



Suggested Applications



Recommended Condenser



KC-110
page 670



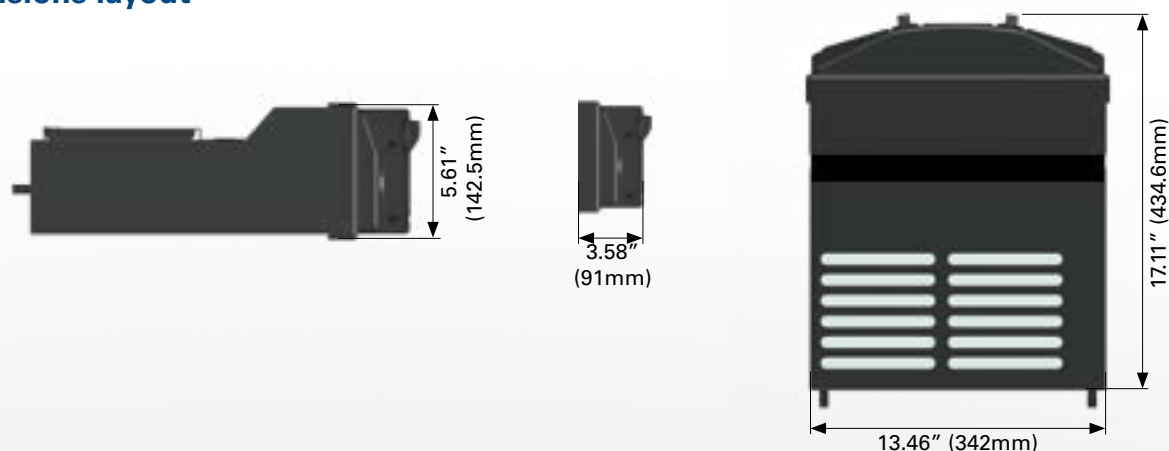
KC-750
page 676

Technical Specifications

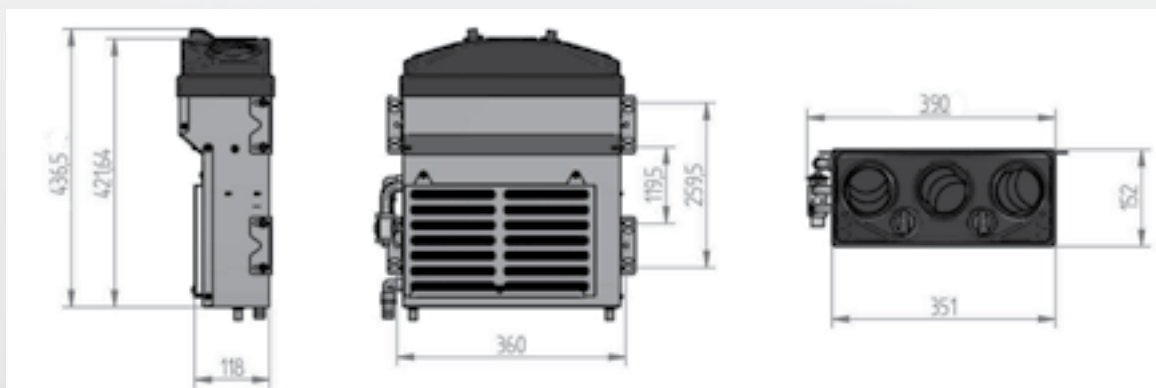
Model	Vertical Grande 12V	Vertical Grande 24V
Voltage	12V	24V
Power	28,320 BTU/hr (8,3 kW)	28,320 BTU/hr (8,3 kW)
Amps	15.2 A	8.5 A
Maximum air flow	460 SSCFM (780 m ³ /hr)	460 SSCFM (780 m ³ /hr)
Dimensions (W x H x D)	15.35in x 5.98in x 17.2in (390mm x 152mm x 436.55mm)	15.35in x 5.98in x 17.2in (390mm x 152mm x 436.55mm)
Weight	21.6 lbs. (9,8 kg)	21.6 lbs. (9,8 kg)
Mounting Position	Wall	Wall

Measurements are listed using the U.S. system with the metric system in parenthesis.

Dimensions layout



Line Drawing



Vertical Grande A/C Order Guide

Part	Part Number	Notes
Unit Part Number	BSP00010AC12 BSP00010AC24	12V 24V

Vertical Grande A/C Service Parts Guide

Part	Part Number	Notes
Blower Assembly	1000777603	12V
	1000783637	24V
Resistor	2099027	12V
	2099027	24V
Evaporator	1000763896	12V
	1000763896	24V



When placing an order please contact your sales representative to review your order to ensure the proper system has been identified for your vehicle application.

Availability of the products shown in this catalog is subject to change without notice by Bergstrom, Inc. For the most current product information please visit the Kysor distributor website at <https://parts.kysorhvac.com/>.

Warranty

- 1-year limited warranty



Features

- Heavy-duty steel construction
- Durable double wheel blower
- Variable speed blower switch
- Adjustable thermostat and water valve control
- 3-speed blower switch
- (3) Directional top louvers

Air Distribution and Control Panel



Suggested Applications



Recommended Condenser



KC-110
page 670



KC-750
page 676

Technical Specifications

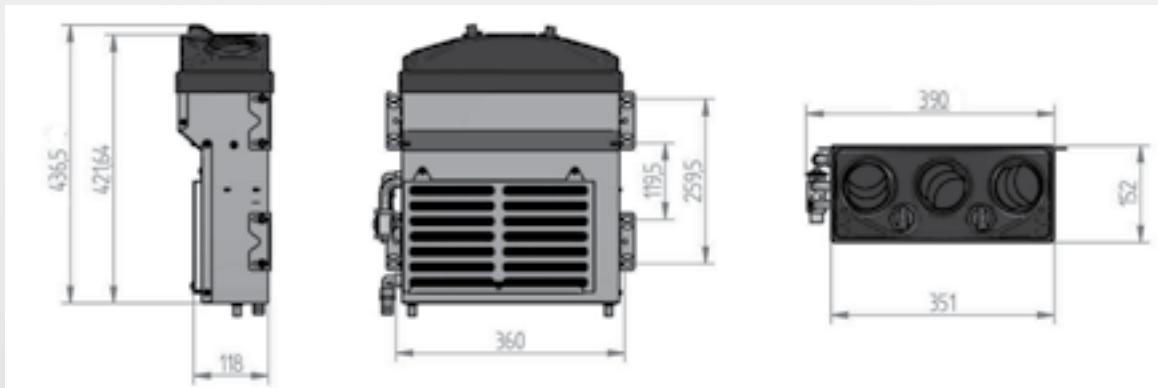
Model	Vertical Grande 12V	Vertical Grande 24V
Voltage	12V	24V
Power	Cold: 28,320 BTU/hr (8.3 kW) Hot: 19,110 BTU/hr (5.6 kW)	Cold: 28,320 BTU/hr (8.3 kW) Hot: 19,110 BTU/hr (5.6 kW)
Amps	15.2 A	8.5 A
Maximum air flow	460 SCFM (780 m ³ /hr)	460 SCFM (780 m ³ /hr)
Dimensions (W x H x D)	15.35in x 5.98in x 17.2in (390mm x 152mm x 436.55mm)	15.35in x 5.98in x 17.2in (390mm x 152mm x 436.55mm)
Weight	21.6 lbs. (9.8 kg)	21.6 lbs. (9.8 kg)
Mounting Position	Wall	Wall

Measurements are listed using the U.S. system with the metric system in parenthesis.

Dimensions layout



Line Drawing



Engine-Driven Backwall

Vertical Grande HVAC Order Guide

Part	Part Number	Notes
Unit Part Number	BSP00007HVAC12 BSP00007HVAC24	12V 24V

Vertical Grande HVAC Order Guide

Part	Part Number	Notes
Blower Assembly	1000777603	12V
	1000783637	24V
Resistor	2099027	12V
	2099027	24V
Evaporator	1000763896	12V
	1000763896	24V



When placing an order please contact your sales representative to review your order to ensure the proper system has been identified for your vehicle application.

Availability of the products shown in this catalog is subject to change without notice by Bergstrom, Inc. For the most current product information please visit the Kysor distributor website at <https://parts.kysorhvac.com/>.

Warranty

- 1-year limited warranty



Features

- Durable double wheel blower
- Variable speed blower switch
- Adjustable thermostat
- Small footprint

Air Distribution and Control Panel



Suggested Applications



Recommended Condenser



KC-90
page 668



KC-500
page 674



KC-750
page 676



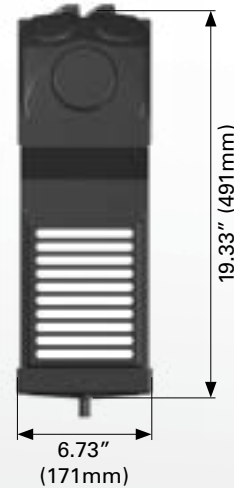
KC-3000
page 678

Technical Specifications

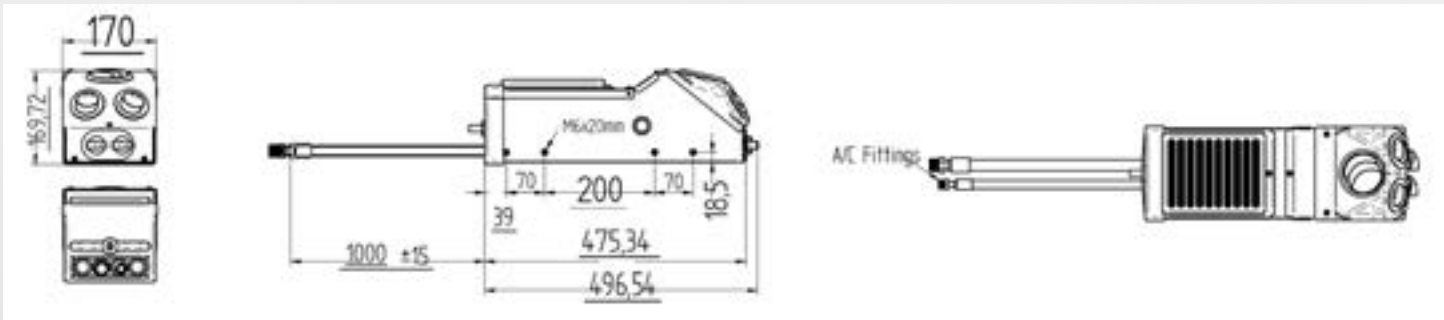
Model	Vertical Grande 12V	Vertical Grande 24V
Voltage	12V	24V
Power	18,770 BTU/hr (5.5 kW)	18,770 BTU/hr (5.5 kW)
Amps	12 A	8 A
Maximum air flow	260 SCFM (450 m ³ /hr)	260 SCFM (450 m ³ /hr)
Dimensions (W x H x D)	6.73in x 6.65in x 19.33in (171mm x 169mm x 491mm)	6.73in x 6.65in x 19.33in (171mm x 169mm x 491mm)
Weight	17.1 lbs. (7.8 kg)	17.1 lbs. (7.8 kg)
Mounting Position	Wall	Wall

Measurements are listed using the U.S. system with the metric system in parenthesis.

Dimensions layout



Line Drawing



Engine-Driven Backwall

Vertical Piccolo AC Order Guide

Part	Part Number	Notes
Unit Part Number*	BSP00011AC12 BSP00011AC24	12V 24V

*Installation kit included with system.



When placing an order please contact your sales representative to review your order to ensure the proper system has been identified for your vehicle application.

Availability of the products shown in this catalog is subject to change without notice by Bergstrom, Inc. For the most current product information please visit the Kysor distributor website at <https://parts.kysorhvac.com/>.

Warranty

- 1-year limited warranty

Condensers

DBC-100	666
KC-90	668
KC-110	670
KC-440	672
KC-500	674
KC-750	676
KC-3000	678



When placing an order please contact your sales representative to review your order to ensure the proper system has been identified for your vehicle application.

All BSP systems have a 1-year warranty.

Availability of the products shown in this catalog is subject to change without notice by Bergstrom, Inc. For the most current product information please visit the Kysor distributor website at <https://parts.kysorhvac.com/>.



Features

- Heavy-duty steel construction
- Integrated receiver drier
- Includes electrical motor compressor



Suggested Applications



Recommended Evaporator



Pascal A/C
page 646



Vertical Grande A/C
page 658



Vertical Piccolo A/C
page 662

Technical Specifications

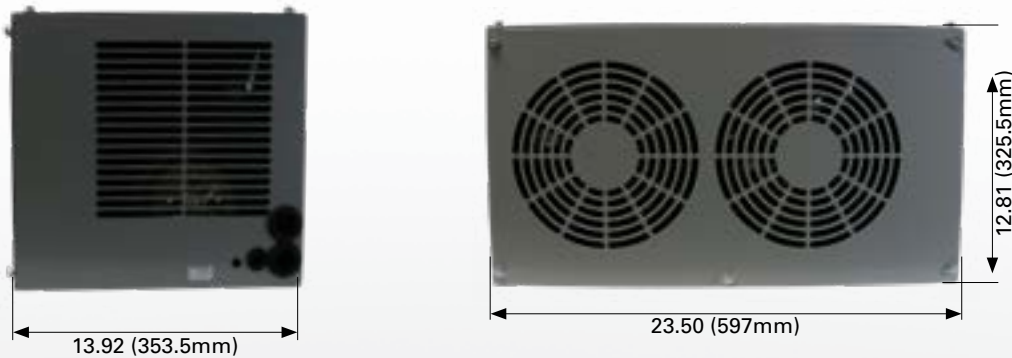
Model	DBC-100 12V	DBC-100 24V
Voltage	12V	24V
Power*	6,824 BTU/hr (2,0 kW)	10,920 BTU/hr (3,2 kW)
Amps**	32 A - 48 A	27 A - 35 A
Dimensions (L x W x H)	23.50in x 13.92in x 12.81in (597mm x 353.5mm x 325.5mm)	23.50in x 13.92in x 12.81in (597mm x 353.5mm x 325.5mm)
Weight	72.8 lbs. (33 kg)	72.8 lbs. (33 kg)
Mounting Position	Wall or Chassis	Wall or Chassis

(*) System output (BTU/hr) is based on system component-calculated capacities. In accordance with JIS standard test conditions: outside temperature 95°F (35°C), return temperature 80°F (27°C).

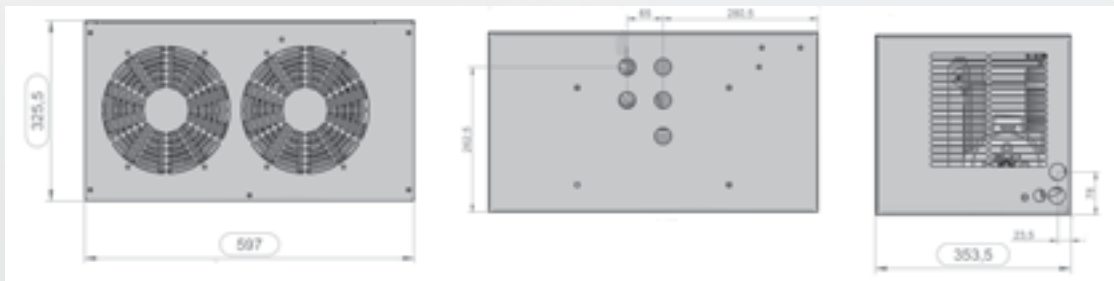
(**) Test conditions: outside temperature between 86°F (30°C) and 107°F (42°C).

Measurements are listed using the U.S. system with the metric system in parenthesis.

Dimensions layout



Line Drawing



DBC-100 Order Guide

Part	Part Number	Notes
Unit Part Number	BSP00010COND12 BSP00010COND24	12V 24V

DBC-100 Service Parts Guide

Part	Part Number	Notes
Condenser	270501000	12V
	270501000	24V
Condenser Fan	1752050000	12V
	1753010000	24V
Receiver Drier	1741330000	12V
	1741330000	24V



When placing an order please contact your sales representative to review your order to ensure the proper system has been identified for your vehicle application.

Availability of the products shown in this catalog is subject to change without notice by Bergstrom, Inc. For the most current product information please visit the Kysor distributor website at <https://parts.kysorhvac.com/>.

Warranty

- 1-year limited warranty



System comes with chrome hardware kit. A black hardware kit is also available, see page 697

Features

- Low profile single fan rooftop condenser
- Heavy-duty steel base construction
- Lightweight and molded cover
- Heavy-duty tube and fin condenser coil
- Durable permanent magnet motor
- Integrated receiver drier

Suggested Applications



Recommended Evaporator



KA-550
page 650



KK-550
page 652



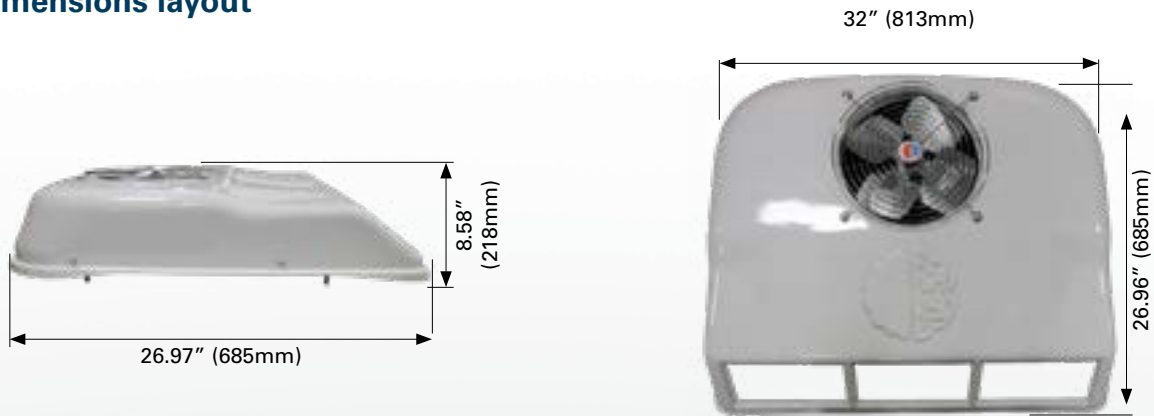
Pascal A/C
page 646

Technical Specifications

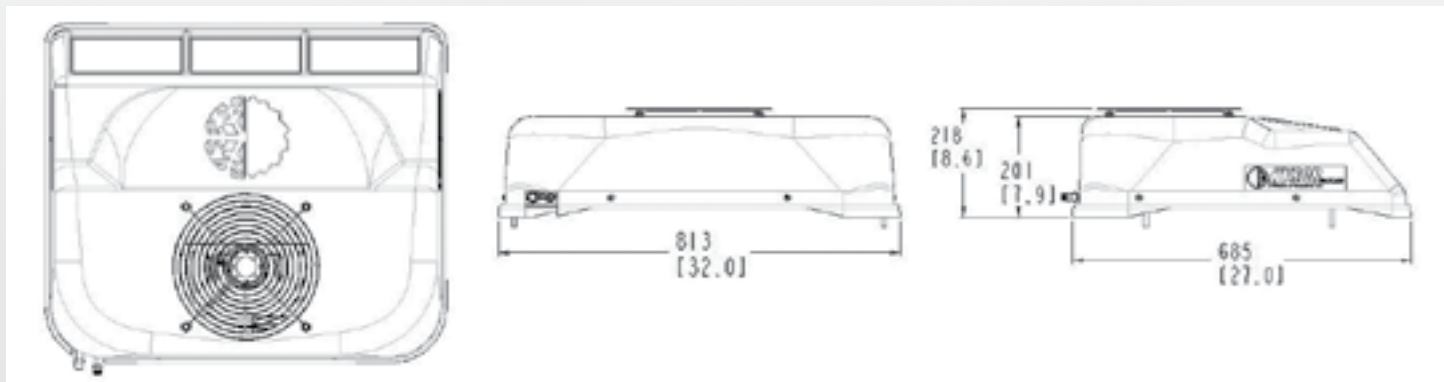
Model	KC-90 12V	KC-90 24V
Voltage	12V	24V
Power	25,933 BTU/hr (7,6 kW)	25,933 BTU/hr (7,6 kW)
Amps	10 A	5 A
Maximum air flow	775 SCFM (1,317 m ³ /hr)	775 SCFM (1,317 m ³ /hr)
Dimensions (L x W x H)	26.97in x 32in x 8.58in (685mm x 813mm x 218mm)	26.97in x 32in x 8.58in (685mm x 813mm x 218mm)
Weight	42.1 lbs. (19,1 kg)	42.1 lbs. (19,1 kg)
Mounting Position	Roof	Roof
Mounting Stud	(4) M8 thread	(4) M8 thread
Refrigeration Inlet	1/2" (#8) tube inverted male o-ring (3/4-16 UNF thread)	1/2" (#8) tube inverted male o-ring (3/4-16 UNF thread)
Refrigeration Outlet	3/8" (#6) tube inverted male o-ring (5/8-18 UNF thread)	3/8" (#6) tube inverted male o-ring (5/8-18 UNF thread)

Measurements are listed using the U.S. system with the metric system in parenthesis.

Dimensions layout



Line Drawing



Condensers

KC-90 Order Guide

Part	Part Number	Notes
Unit Part Number	BSP00003COND12 BSP00003COND24	12V 24V

KC-90 Service Parts Guide

Part	Part Number	Notes
Condenser	1575025	12V
	1575025	24V
Condenser Fan	1275003	12V
	1275003	24V
Receiver Drier	1999226	12V
	1999226	24V
Motor	1099087	12V
	1099087	24V
Black Guard Fan	1000335550	Option to purchase black versus standard chrome
Black M6 Hex Head 25mm Screws	1000898591	Option to purchase black versus standard chrome
Black M6 Hex Head 16mm Screws	1000898585	Option to purchase black versus standard chrome



When placing an order please contact your sales representative to review your order to ensure the proper system has been identified for your vehicle application.

Availability of the products shown in this catalog is subject to change without notice by Bergstrom, Inc. For the most current product information please visit the Kysor distributor website at <https://parts.kysorhvac.com/>.

Warranty
• 1-year limited warranty



Features

- Low profile dual fan rooftop condenser
- Heavy-duty steel base construction
- Molded cover
- Heavy-duty tube and fin condenser coil
- Durable permanent magnet motor



System comes with chrome hardware kit. A black hardware kit is also available, see page 697

Suggested Applications



Recommended Evaporator



KA-500
page 650



KA-710
page 656



KK-600
page 654



Kelvin A/C or HVAC
page 642, 644

Technical Specifications

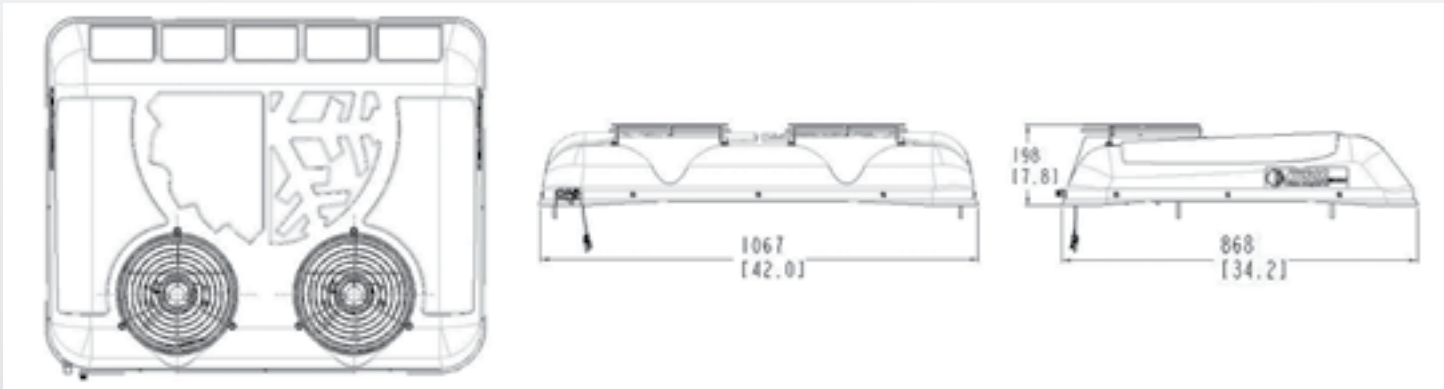
Model	KC-110 12V	KC-110 24V
Voltage	12V	24V
Power	45,040 BTU/hr (13,2 kW)	45,040 BTU/hr (13,2 kW)
Amps	22 A	11 A
Maximum air flow	1,250 SCFM (2,124 m ³ /hr)	1,250 SCFM (2,124 m ³ /hr)
Dimensions (L x W x H)	34.17in x 42in x 7.79in (868mm x 1067mm x 198mm)	34.17in x 42in x 7.79in (868mm x 1067mm x 198mm)
Weight	65 lbs. (29,5 kg)	65 lbs. (29,5 kg)
Mounting Position	Roof	Roof
Mounting Stud	(4) M8 thread	(4) M8 thread
Refrigeration Inlet	1/2" (#8) tube inverted male o-ring (3/4-16 UNF thread)	1/2" (#8) tube inverted male o-ring (3/4-16 UNF thread)
Refrigeration Outlet	3/8" (#6) tube inverted male o-ring (5/8-18 UNF thread)	3/8" (#6) tube inverted male o-ring (5/8-18 UNF thread)

Measurements are listed using the U.S. system with the metric system in parenthesis.

Dimensions layout



Line Drawing



KC-110 Order Guide

Part	Part Number	Notes
Unit Part Number	BSP00004COND12 BSP00004COND24	12V 24V

KC-110 Service Parts Guide

Part	Part Number	Notes
Condenser	1575026	12V
	1575026	24V
Condenser Fan	1275003	12V
	1275003	24V
Motor	1099087	12V
	1099087	24V
Black Guard Fan	1000924296	Option to purchase black versus standard chrome
Black M6 Hex Head 25mm Screws	1000898591	Option to purchase black versus standard chrome
Black M6 Hex Head 16mm Screws	1000898585	Option to purchase black versus standard chrome



When placing an order please contact your sales representative to review your order to ensure the proper system has been identified for your vehicle application.

Availability of the products shown in this catalog is subject to change without notice by Bergstrom, Inc. For the most current product information please visit the Kysor distributor website at <https://parts.kysorhvac.com/>.

Warranty

- 1-year limited warranty



Features

- Dual axial fan rooftop mount
- Heavy-duty steel base construction
- Heavy-duty tube and fin condenser coil
- Durable permanent magnet motor
- Integrated receiver drier
- Low pressure switch
- Relay



Suggested Applications



Recommended Evaporator



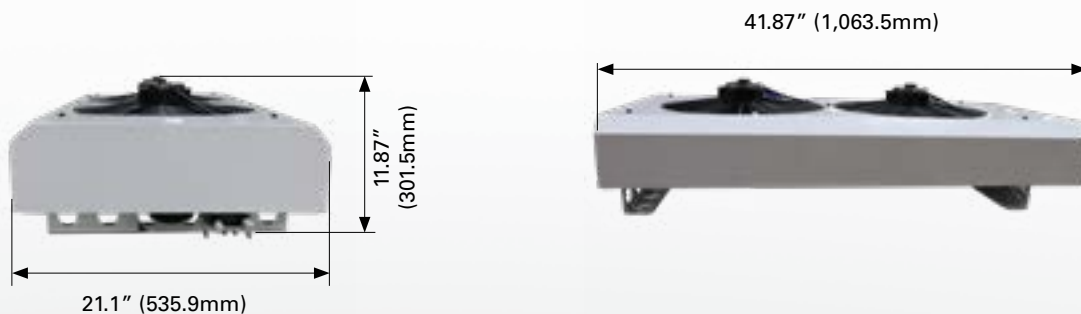
KA-500
page 636

Technical Specifications

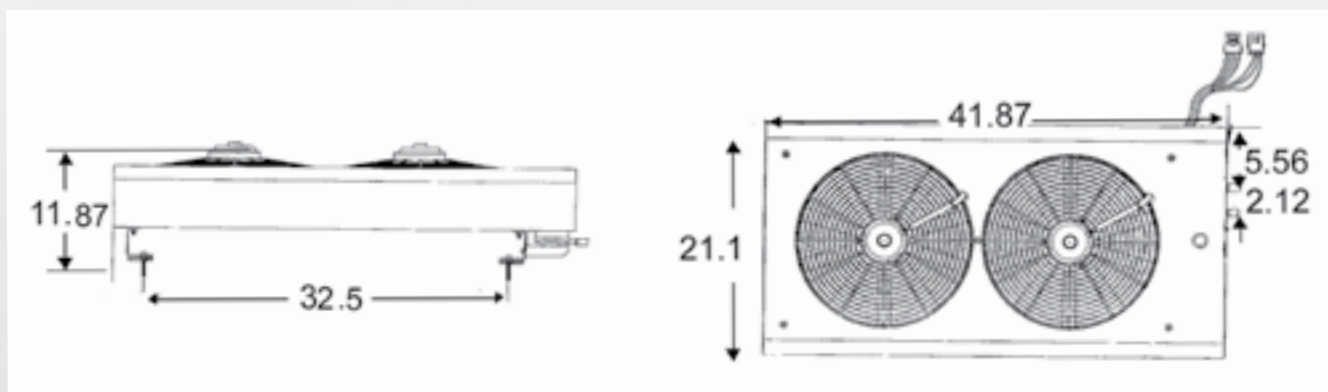
Model	KC-440 12V
Voltage	12V
Power	54,935 BTU/hr (16,1 kW)
Amps	30 A
Maximum air flow	1,900 SCFM (3,228 m ³ /hr)
Dimensions (W x H x D)	41.87in x 11.87in x 21.1in (1063.5mm x 279.4mm x 535.9mm)
Weight	70 lbs. (31,8 kg)
Mounting Position	Roof
Refrigeration Inlet	1/2" (#8) tube inverted male o-ring (3/4-16 UNF thread)
Refrigeration Outlet	3/8" (#6) tube inverted male o-ring (5/8-18 UNF thread)

Measurements are listed using the U.S. system with the metric system in parenthesis.

Dimensions layout



Line Drawing



KC-440 Order Guide

Part	Part Number	Notes
Unit Part Number	BSP00013COND12	12V

KC-440 Service Parts Guide

Part	Part Number	Notes
Condenser	1575018	12V
Motor	1075028	12V
Receiver Drier	1999226	12V
Relay	2075003	12V
Low Pressure Switch	2275011	12V



When placing an order please contact your sales representative to review your order to ensure the proper system has been identified for your vehicle application.

Availability of the products shown in this catalog is subject to change without notice by Bergstrom, Inc. For the most current product information please visit the Kysor distributor website at <https://parts.kysorvac.com/>.

Warranty

- 1-year limited warranty



Features

- Single fan mount condenser
- Heavy-duty steel base construction
- Heavy-duty tube and fin condenser coil
- Durable permanent magnet motor

Suggested Applications



Recommended Evaporator



**KA-400 /
KK-400**
page 632, 634



KK-550
page 652



KA-710
page 656



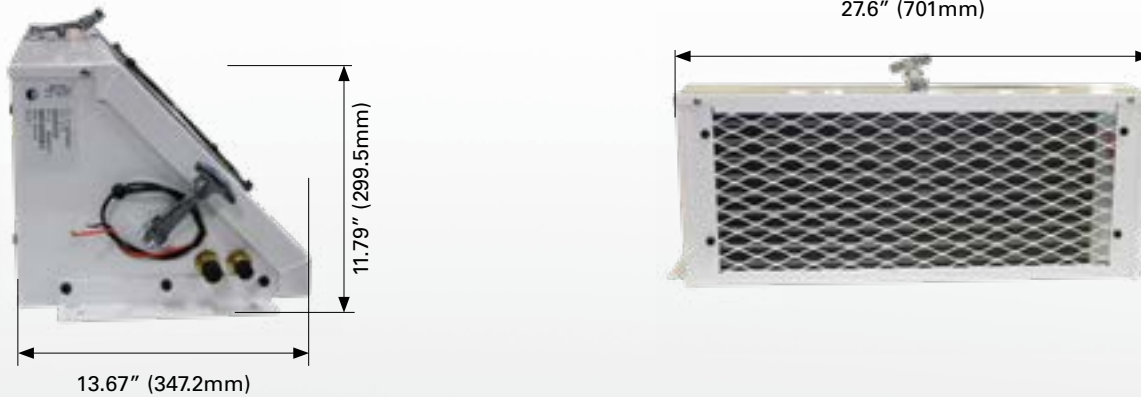
Pascal A/C
page 646

Technical Specifications

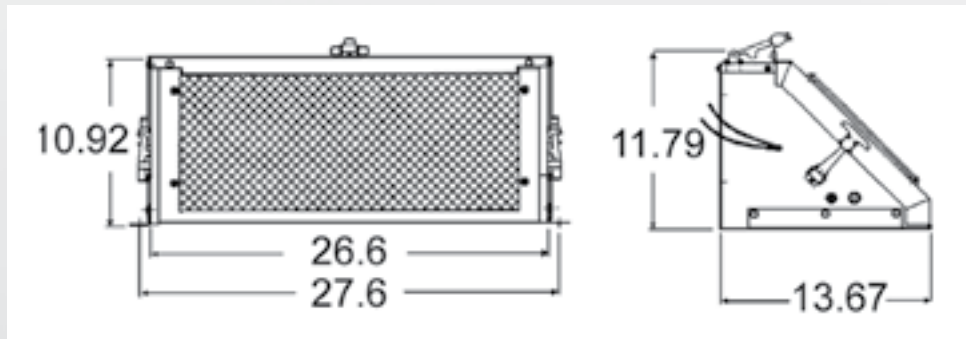
Model	KC-500 12V	KC-500 24V
Voltage	12V	24V
Power	30,000 BTU/hr (8,8 kW)	30,000 BTU/hr (8,8 kW)
Amps	16 A	8 A
Dimensions (W x H x D)	27.6in x 11.79in x 13.67in (701mm x 299.5mm x 347.2mm)	27.6in x 11.79in x 13.67in (701mm x 299.5mm x 347.2mm)
Weight	42 lbs. (19,1 kg)	42 lbs. (19,1 kg)
Mounting Position	Universal	Universal
Refrigeration Inlet	1/2" (#8) tube inverted male o-ring (3/4-16 UNF thread)	1/2" (#8) tube inverted male o-ring (3/4-16 UNF thread)
Refrigeration Outlet	3/8" (#6) tube inverted male o-ring (5/8-18 UNF thread)	3/8" (#6) tube inverted male o-ring (5/8-18 UNF thread)

Measurements are listed using the U.S. system with the metric system in parenthesis.

Dimensions layout



Line Drawing



KC-500 Order Guide

Part	Part Number	Notes
Unit Part Number*	BSP00014COND12	12V
	BSP00014COND24	24V

*Installation kit included with the system.

KC-500 Service Parts Guide

Part	Part Number	Notes
Condenser	1575008	12V
	1575008	24V
Condenser Fan	1275003	12V
	1275003	24V
Motor	1075009	12V
	1075016	24V



When placing an order please contact your sales representative to review your order to ensure the proper system has been identified for your vehicle application.

Availability of the products shown in this catalog is subject to change without notice by Bergstrom, Inc. For the most current product information please visit the Kysor distributor website at <https://parts.kysorhvac.com/>.

Warranty

- 1-year limited warranty



Features

- Heavy-duty steel base construction
- Dual axial fan
- Universal mount condenser
- Durable permanent magnet motor
- Heavy-duty tube and fin condenser coil

Suggested Applications



Recommended Evaporator



KA-400
page 632



KA-550
page 650



Kelvin A/C or HVAC
page 642, 644



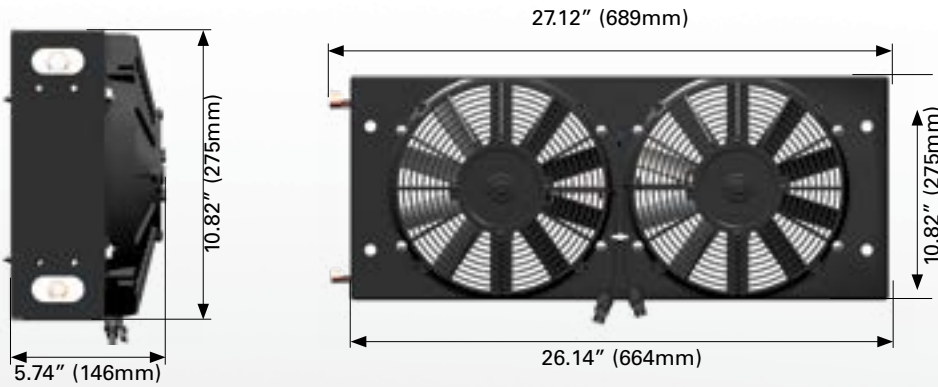
Pascal A/C
page 646

Technical Specifications

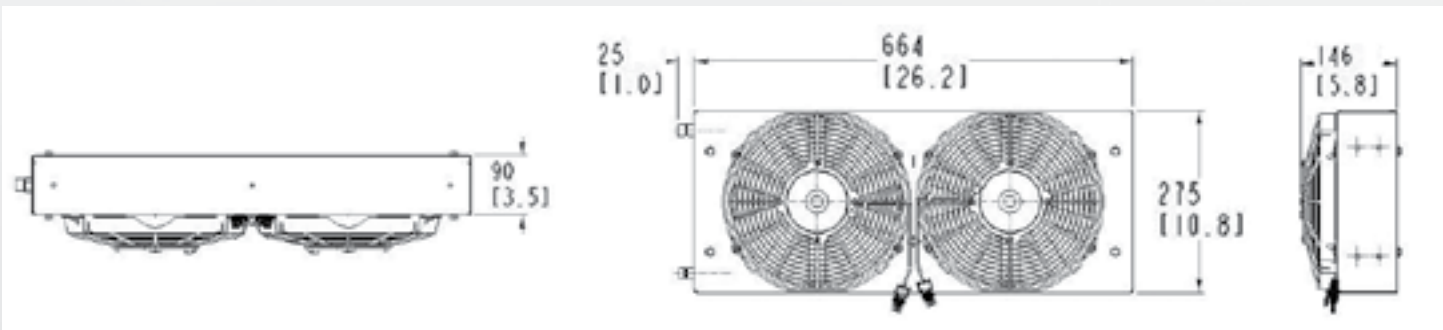
Model	KC-750 12V	KC-750 24V
Voltage	12V	24V
Power	32,075 BTU/hr (9,4 kW)	32,075 BTU/hr (9,4 kW)
Amps	20 A	10 A
Maximum air flow	1,000 SCFM (1,700 m ³ /hr)	1,000SCFM (1,700 m ³ /hr)
Dimensions (W x H x D)	26.14in x 10.83in x 5.75in (664mm x 275mm x 146mm)	26.14in x 10.83in x 5.75in (664mm x 275mm x 146mm)
Weight	13 lbs. (5,9 kg)	13 lbs. (5,9 kg)
Mounting Position	Roof or Wall	Roof or Wall
Refrigeration Inlet	1/2" (#8) tube inverted male o-ring (3/4-16 UNF thread)	1/2" (#8) tube inverted male o-ring (3/4-16 UNF thread)
Refrigeration Outlet	3/8" (#6) tube inverted male o-ring (5/8-18 UNF thread)	3/8" (#6) tube inverted male o-ring (5/8-18 UNF thread)

Measurements are listed using the U.S. system with the metric system in parenthesis.

Dimensions layout



Line Drawing



KC-750 Order Guide

Part	Part Number	Notes
Unit Part Number	BSP00005COND12 BSP00005COND24	12V 24V

*Must order all parts for proper installation.

KC-750 Service Parts Guide

Part	Part Number	Notes
Condenser		12V 24V
Condenser Fan	1075032 1075032	12V 24V
Relay	2099009 2099009	12V 24V



When placing an order please contact your sales representative to review your order to ensure the proper system has been identified for your vehicle application.

Availability of the products shown in this catalog is subject to change without notice by Bergstrom, Inc. For the most current product information please visit the Kysor distributor website at <https://parts.kysorhvac.com/>.

Warranty

- 1-year limited warranty



Features

- Low profile rooftop mount condenser
- Heavy-duty steel base construction
- Molded cover
- Integrated receiver drier



Suggested Applications



Recommended Evaporator



KA-550
page 650



KK-550
page 652



Vertical Piccolo
page 662

Technical Specifications

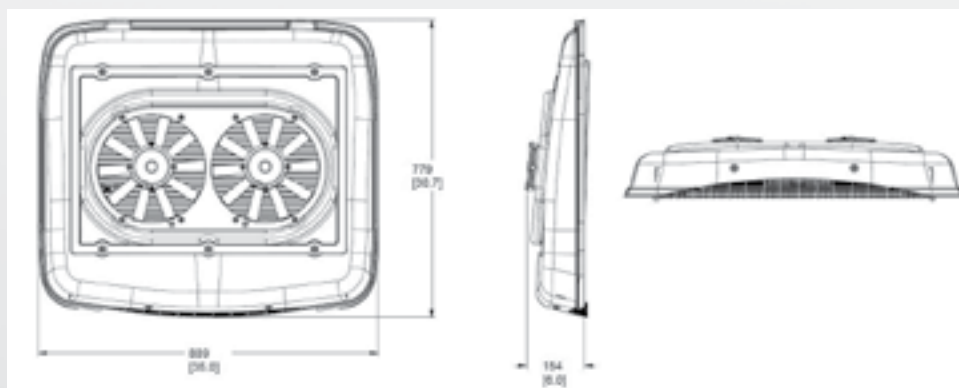
Model	KC-3000 12V
Voltage	12V
Power	35,860 BTU/hr (10,5 kW)
Amps	12 A
Maximum air flow	875 SCFM (1,486 m ³ /hr)
Dimensions (L x W x H)	30.7in x 35in x 6.06in (779mm x 889mm x 154mm)
Weight	30 lbs. (13,6 kg)
Mounting Position	Roof

Measurements are listed using the U.S. system with the metric system in parenthesis.

Dimensions layout



Line Drawing



KC-3000 Order Guide

Part	Part Number	Notes
Unit Part Number	BSP00009COND12	12V



When placing an order please contact your sales representative to review your order to ensure the proper system has been identified for your vehicle application.

Availability of the products shown in this catalog is subject to change without notice by Bergstrom, Inc. For the most current product information please visit the Kysor distributor website at <https://parts.kysorhvac.com/>.

Warranty

- 1-year limited warranty

Heaters

KH-150	682
KH-200	684
KH-300	686
KH-500	688
KH-900	690
PASCAL HEATER	692



When placing an order please contact your sales representative to review your order to ensure the proper system has been identified for your vehicle application.

All BSP systems have a 1-year warranty.

Availability of the products shown in this catalog is subject to change without notice by Bergstrom, Inc. For the most current product information please visit the Kysor distributor website at <https://parts.kysorhvac.com/>.



Features

- Compact auxiliary heater
- Heavy-duty steel construction
- (1) 2-speed motor
- Recirculating air filter

Suggested Applications

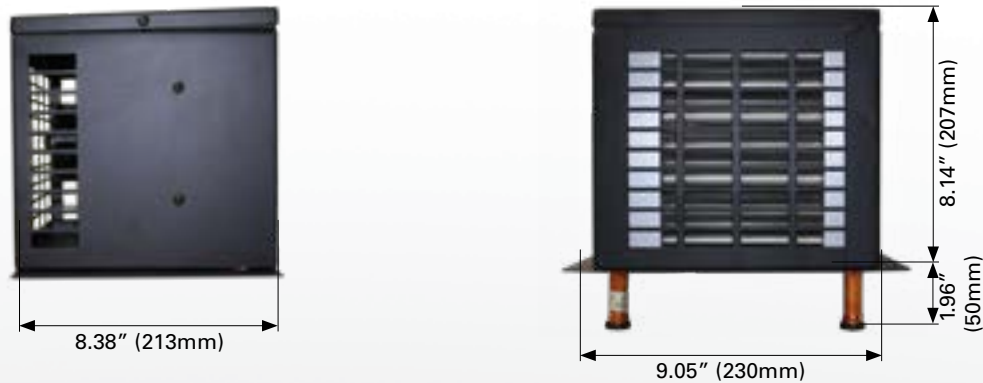


Technical Specifications

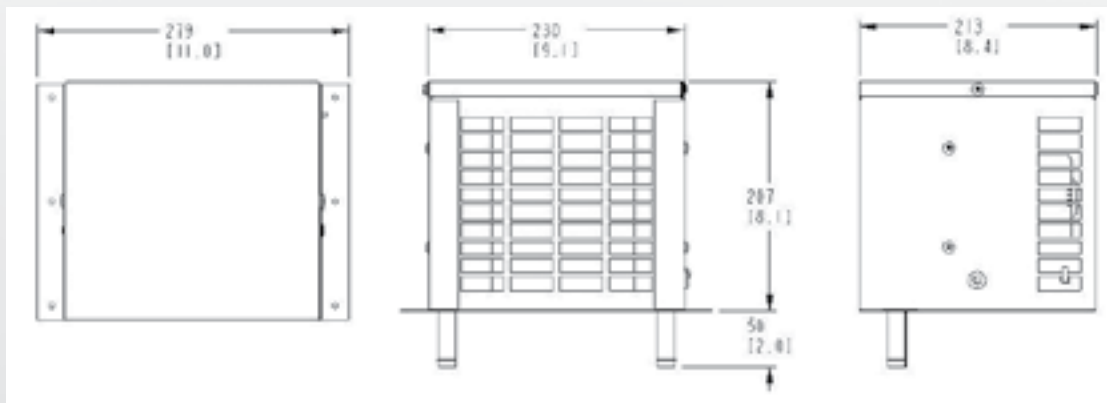
Model	KH-150 12V
Voltage	12V
Power	13,000 BTU/hr (3,8 kW)
Amps	3.6 A
Maximum air flow	115 SCFM (195 m ³ /hr)
Dimensions (W x H x D)	9.05in x 8.14in x 8.38in (230mm x 207mm x 213mm)
Weight	9.8 lbs. (4,45 kg)
Mounting Position	Floor
Tube Connection	(2) 5/8" O.D.

Measurements are listed using the U.S. system with the metric system in parenthesis.

Dimensions layout



Line Drawing



KH-150 Order Guide

Part	Part Number	Notes
Unit Part Number	BSP00004HEAT12	12V

KH-150 Service Parts Guide

Part	Part Number	Notes
KH-150 Control Switch Kit	3475077	
Blower Motor	1099124	12V
Blower Fan	1299015	12V
Heater Coil	1799014	12V
Filter	3199027	12V



When placing an order please contact your sales representative to review your order to ensure the proper system has been identified for your vehicle application.

Availability of the products shown in this catalog is subject to change without notice by Bergstrom, Inc. For the most current product information please visit the Kysor distributor website at <https://parts.kysorhvac.com/>.

Warranty

- 1-year limited warranty



Features

- Heavy-duty auxiliary heater
- Heavy-duty steel construction
- (1) 2-speed motor
- (2) Universal mounting brackets

Suggested Applications

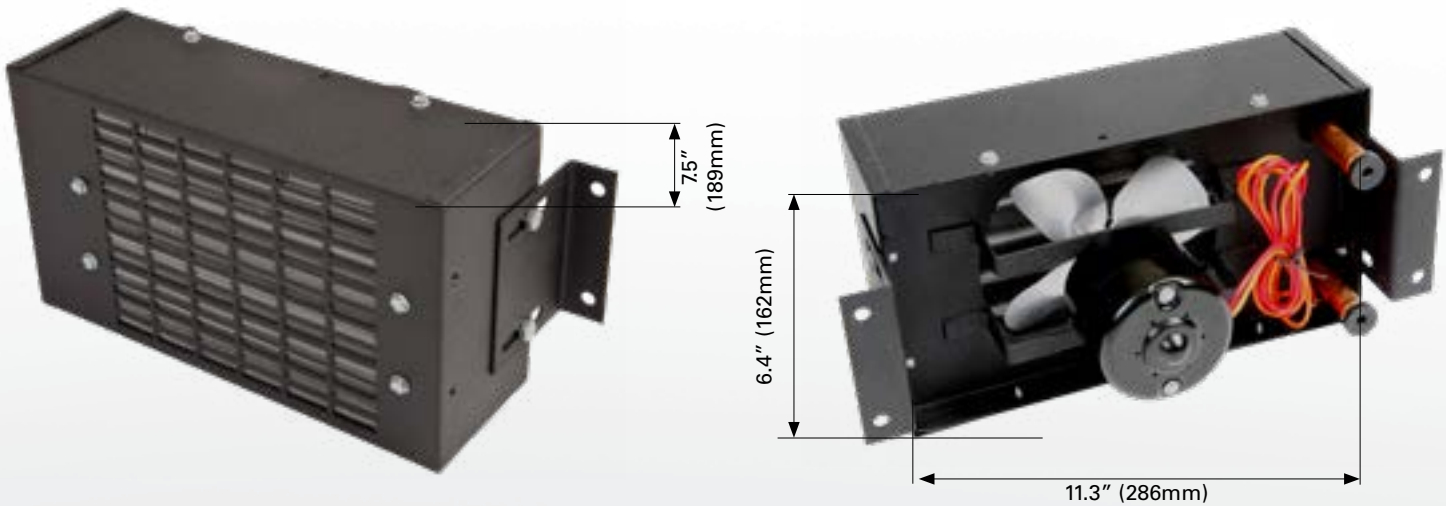


Technical Specifications

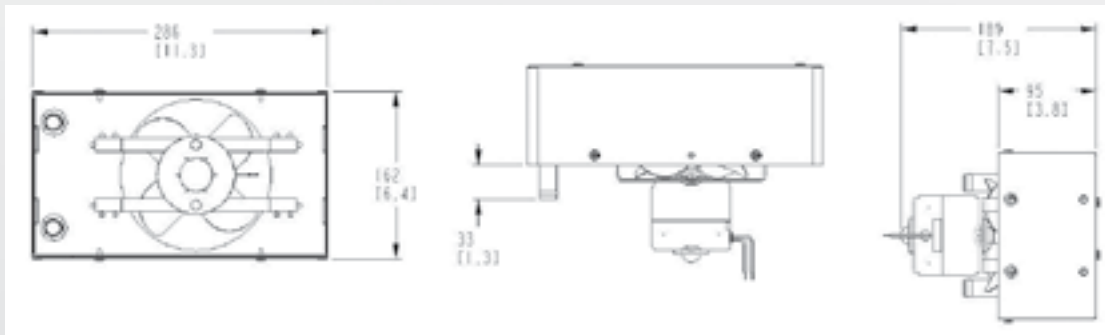
Model	KH-200 12V	KH-200 24V
Voltage	12V	24V
Power	18,360 BTU/hr (5,4 kW)	18,360 BTU/hr (5,4 kW)
Amps	1.53 A	1.5 A
Maximum air flow	145 SCFM (246 m ³ /hr)	145 SCFM (246 m ³ /hr)
Dimensions (W x H x D)	11.3in x 6.4in x 7.5in (286mm x 162mm x 189mm)	11.3in x 6.4in x 7.5in (286mm x 162mm x 189mm)
Weight	9 lbs. (4,1 kg)	9 lbs. (4,1 kg)
Mounting Position	Floor or Wall	Floor or Wall
Tube Connection	(2) 5/8" O.D.	(2) 5/8" O.D.

Measurements are listed using the U.S. system with the metric system in parenthesis.

Dimensions layout



Line Drawing



KH-200 Order Guide

Part	Part Number	Notes
Unit Part Number	BSP00015HEAT12 BSP00015HEAT24	12V 24V

KH-200 Service Parts Guide

Part	Part Number	Notes
Blower Motor	1075005 1075006	12V 24V
Blower Switch	3475035 3475035	12V 24V
Blower Fan	1275004 1275004	12V 24V
Heater Coil	1775001 1775001	12V 24V
Flush Mounting Kit	3475033 3475033	12V 24V
Motor Guard Kit	3475034 3475034	12V 24V
Control Switch Kit	3475035 3475035	12V 24V



When placing an order please contact your sales representative to review your order to ensure the proper system has been identified for your vehicle application.

Availability of the products shown in this catalog is subject to change without notice by Bergstrom, Inc. For the most current product information please visit the Kysor distributor website at <https://parts.kysorhvac.com/>.

Warranty

- 1-year limited warranty



Features

- Heavy-duty auxiliary heater
- Heavy-duty steel construction
- (2) 2-speed motor
- (2) Universal mounting brackets



Suggested Applications



Technical Specifications

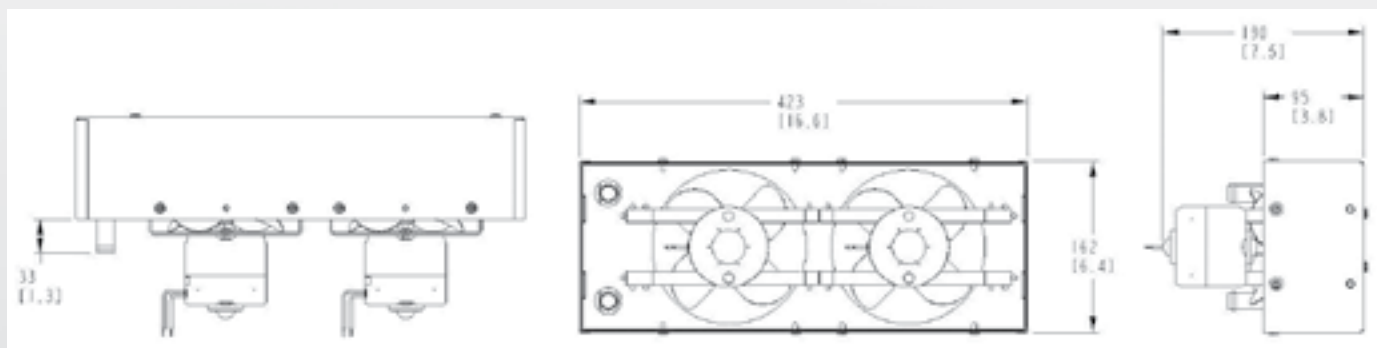
Model	KH-300 12V	KH-300 24V
Voltage	12V	24V
Power	30,0270 BTU/hr (8,8 kW)	30,027 BTU/hr (8,8 kW)
Amps	3 - 6 A	3 - 6 A
Maximum air flow	265 SCFM (450 m ³ /hr)	265 SCFM (450 m ³ /hr)
Dimensions (W x H x D)	16.6in x 6.4in x 7.5in (423mm x 162mm x 190mm)	16.6in x 6.4in x 7.5in (423mm x 162mm x 190mm)
Weight	14 lbs. (6,4 kg)	14 lbs. (6,4 kg)
Mounting Position	Floor or Wall	Floor or Wall
Tube Connection	(2) 5/8" O.D.	(2) 5/8" O.D.

Measurements are listed using the U.S. system with the metric system in parenthesis.

Dimensions layout



Line Drawing



KH-300 Order Guide

Part	Part Number	Notes
Unit Part Number	BSP00016HEAT12 BSP00016HEAT24	12V 24V

KH-300 Service Parts Guide

Part	Part Number	Notes
Blower Motor	1075005 1075006	12V 24V
Blower Fan	1275004 1275004	12V 24V
Heater Coil	1775009 1775009	12V 24V
Flush Mounting Kit	3475038	
Motor Guard Kit	3475039	
Control Switch Kit	3475040	



When placing an order please contact your sales representative to review your order to ensure the proper system has been identified for your vehicle application.

Availability of the products shown in this catalog is subject to change without notice by Bergstrom, Inc. For the most current product information please visit the Kysor distributor website at <https://parts.kysorhvac.com/>.

Warranty

- 1-year limited warranty



Features

- Heavy-duty steel construction
- 3-speed resistor
- Durable double wheel blower
- (4) 4" front, (2) 4" side air outlet openings and (2) optional air outlet openings on the top

Suggested Applications

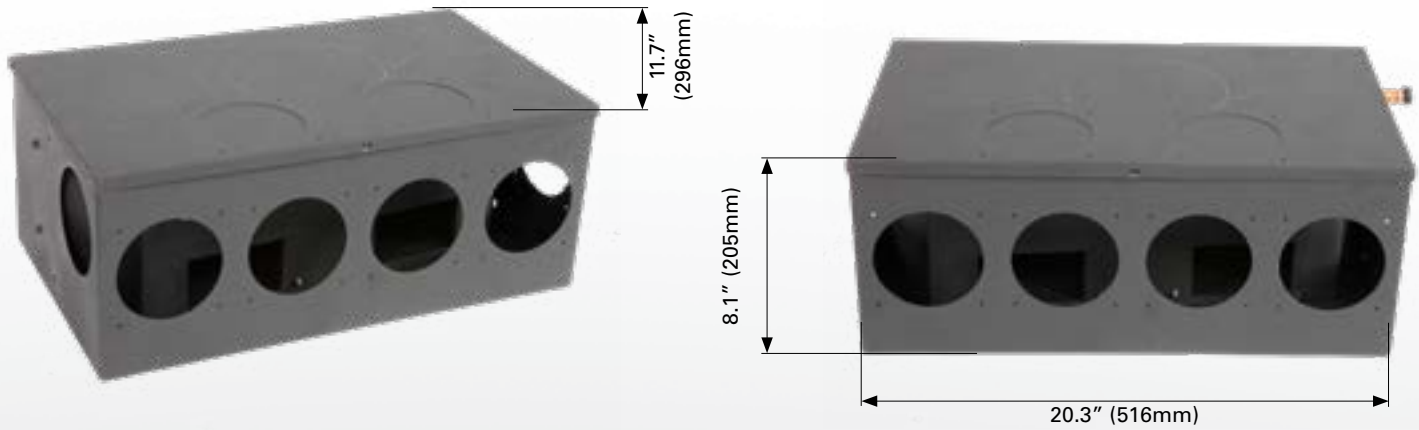


Technical Specifications

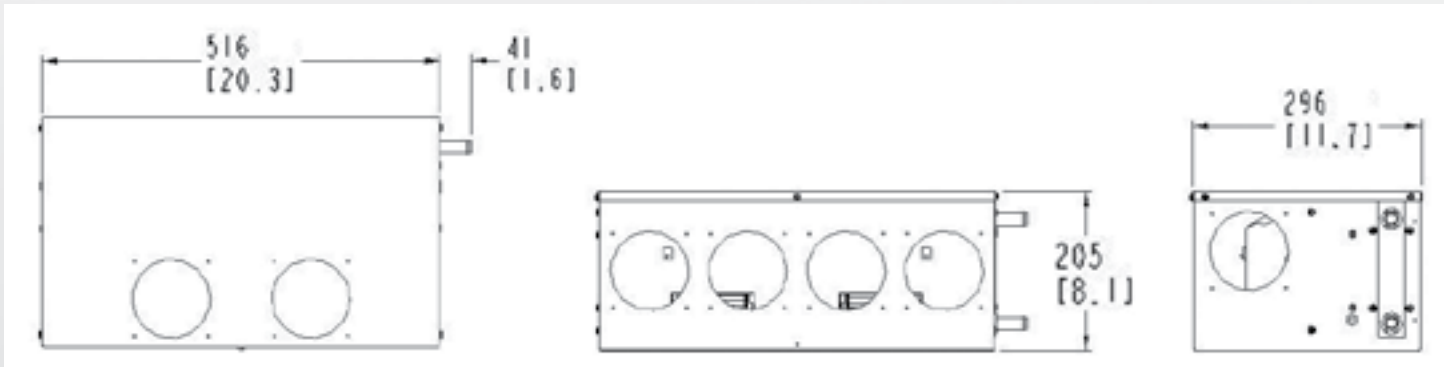
Model	KH-500 12V	KH-500 24V
Voltage	12V	24V
Power	52,206 BTU/hr (15,3 kW)	52,206 BTU/hr (15,3 kW)
Amps	19 A	9 A
Maximum air flow	500 SCFM (850 m ³ /hr)	500 SCFM (850 m ³ /hr)
Dimensions (W x H x D)	20.3in x 8.1in x 11.7in (516mm x 205mm x 296mm)	20.3in x 8.1in x 11.7in (516mm x 205mm x 296mm)
Weight	24 lbs. (10.9 kg)	24 lbs. (10.9 kg)
Mounting Position	Floor	Floor
Tube Connection	(2) 5/8" O.D.	(2) 5/8" O.D.

Measurements are listed using the U.S. system with the metric system in parenthesis.

Dimensions layout



Line Drawing



KH-500 Order Guide

Part	Part Number	Notes
Unit Part Number	BSP00018HEAT12 BSP00018HEAT24	12V 24V

KH-500 Service Parts Guide

Part	Part Number	Notes
Blower Motor	1075044 1075046	12V 24V
Heater Coil	1775018 1775018	12V 24V
Resistor	2075006 2075008	12V 24V
Control Switch Kit	3475059	



When placing an order please contact your sales representative to review your order to ensure the proper system has been identified for your vehicle application.

Availability of the products shown in this catalog is subject to change without notice by Bergstrom, Inc. For the most current product information please visit the Kysor distributor website at <https://parts.kysorhvac.com/>.

Warranty

- 1-year limited warranty



Features

- Auxiliary heater
- Heavy-duty steel construction
- (2) 5/8" O.D. tube connections
- 3-speed resistor
- Stylish compact round design
- Shock mounted motor

Suggested Applications



Technical Specifications

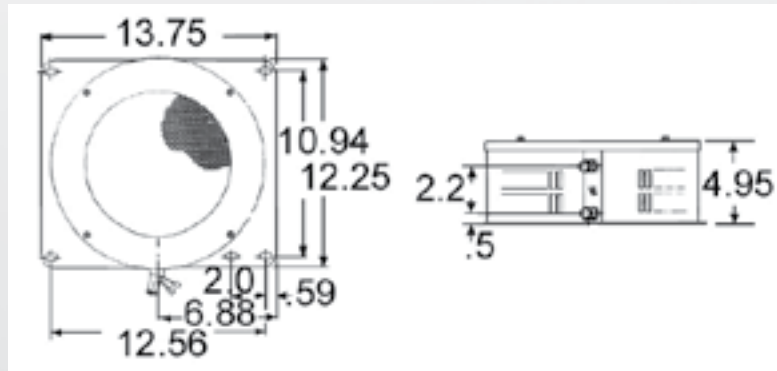
Model	KH-900 12V	KH-900 24V
Voltage	12V	24V
Power	30,000 BTU/hr (8,8 kW)	30,000 BTU/hr (8,8 kW)
Amps	3.6 A	1.8 A
Maximum air flow	325 SCFM (552 m ³ /hr)	325 SCFM (552 m ³ /hr)
Dimensions (W x H x D)	13.75in x 12.25in x 5in (350mm x 311mm x 127mm)	13.75in x 12.25in x 5in (350mm x 311mm x 127mm)
Weight	11.25 lbs. (5.1 kg)	11.25 lbs. (5.1 kg)
Mounting Position	Floor	Floor
Tube Connection	(2) 5/8" O.D.	(2) 5/8" O.D.

Measurements are listed using the U.S. system with the metric system in parenthesis.

Dimensions layout



Line Drawing



KH-900 Order Guide

Part	Part Number	Notes
Unit Part Number	BSP00019HEAT12	12V
	BSP00019HEAT24	24V



When placing an order please contact your sales representative to review your order to ensure the proper system has been identified for your vehicle application.

Availability of the products shown in this catalog is subject to change without notice by Bergstrom, Inc. For the most current product information please visit the Kysor distributor website at <https://parts.kysorhvac.com/>.

Warranty

- 1-year limited warranty



Features

- Shell constructed with molded plastic
- Integrated twin scroll blower
- 3 air outlets (spigot/louver)
- 3 fan speeds

Suggested Applications



Air Distribution Panel



Spigot



Louver

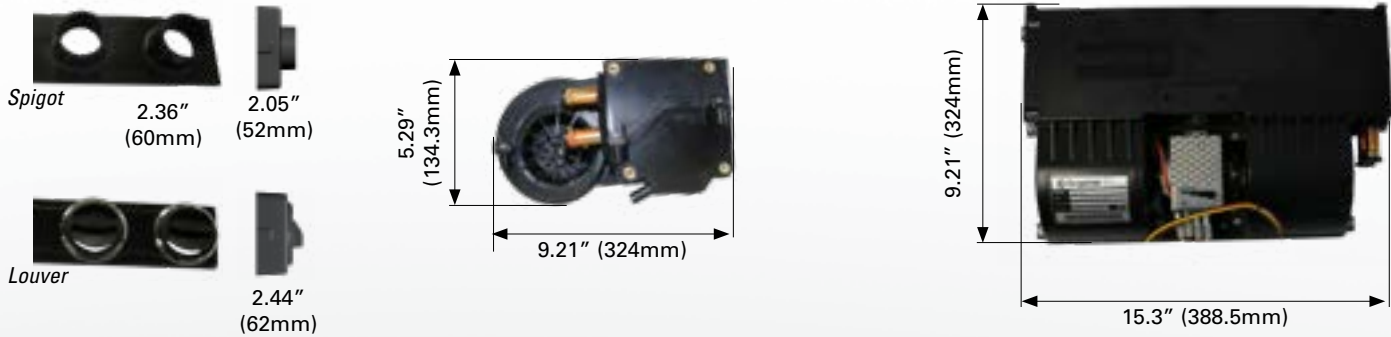
See other available panel options on page 698

Technical Specifications

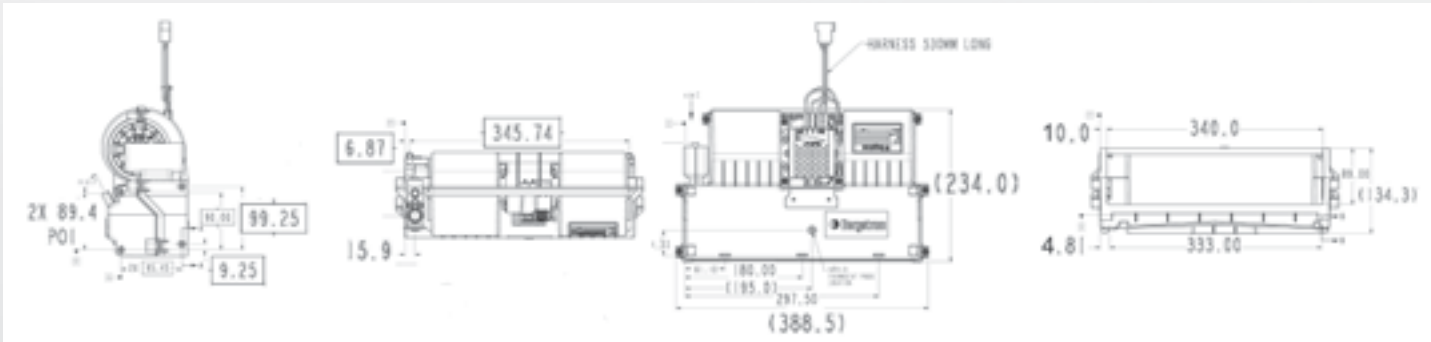
Model	Pascal 12V	Pascal 24V
Voltage	12V	24V
Power	25,590 BTU/hr (8,0 kW)	25,590 BTU/hr (8,0 kW)
Amps	10 A	5 A
Maximum air flow	265 SCFM (450 m ³ /hr)	265 SCFM (450 m ³ /hr)
Dimensions (L x W x H)	9.21in x 15.3in x 5.29in (234mm x 388.5mm x 134.3mm)	9.21in x 15.3in x 5.29in (234mm x 388.5mm x 134.3mm)
Weight	8.4 lbs. (3.8 kg)	8.4 lbs. (3.8 kg)
Mounting Position	Horizontal (Floor or Headliner)	Horizontal (Floor or Headliner)
Tube Connection	(2) 5/8" O.D.	(2) 5/8" O.D.

Measurements are listed using the U.S. system with the metric system in parenthesis.

Dimensions layout



Line Drawing



Pascal Heater Order Guide*

Part	Part Number	Notes
Unit Part Number	BSP00013HEAT12 BSP00013HEAT24	12V 24V
Harness	BSP00003CONHAR BSP00004CONHAR	4 meters of hose 8 meters of hose
Control Panel	BSP00005CONPAN BSP00006CONPAN	Vertical Horizontal
Fascia Panel	BSP00003PANELKIT BSP00005PANELKIT BSP00006PANELKIT	Three Chrome and Black Louvers Three Spigot Outlets Three Black and Black Louvers
Bracket	BSP00004MOUNTKIT BSP00006MOUNTKIT	Floor/Ceiling Mount Wall/Bulkhead Mount
Condensate Kit	BSP00001DRAINKIT BSP00002DRAINKIT	Single Side Double Side

*Must purchase one option in each category of the order guide for proper installation.

Pascal Heater Order Guide

Part	Part Number	Notes
Blower Motor	1000777603 1000783637	12V 24V
Heater Coil	1000960128 1000960128	12V 24V
Resistor	2099027 2099027	12V 24V
Water Valve	1001597661 2499157	12V 24V



When placing an order please contact your sales representative to review your order to ensure the proper system has been identified for your vehicle application.

Availability of the products shown in this catalog is subject to change without notice by Bergstrom, Inc. For the most current product information please visit the Kysor distributor website at <https://parts.kysorhvac.com/>.

Warranty

- 1-year limited warranty

System Kit Options

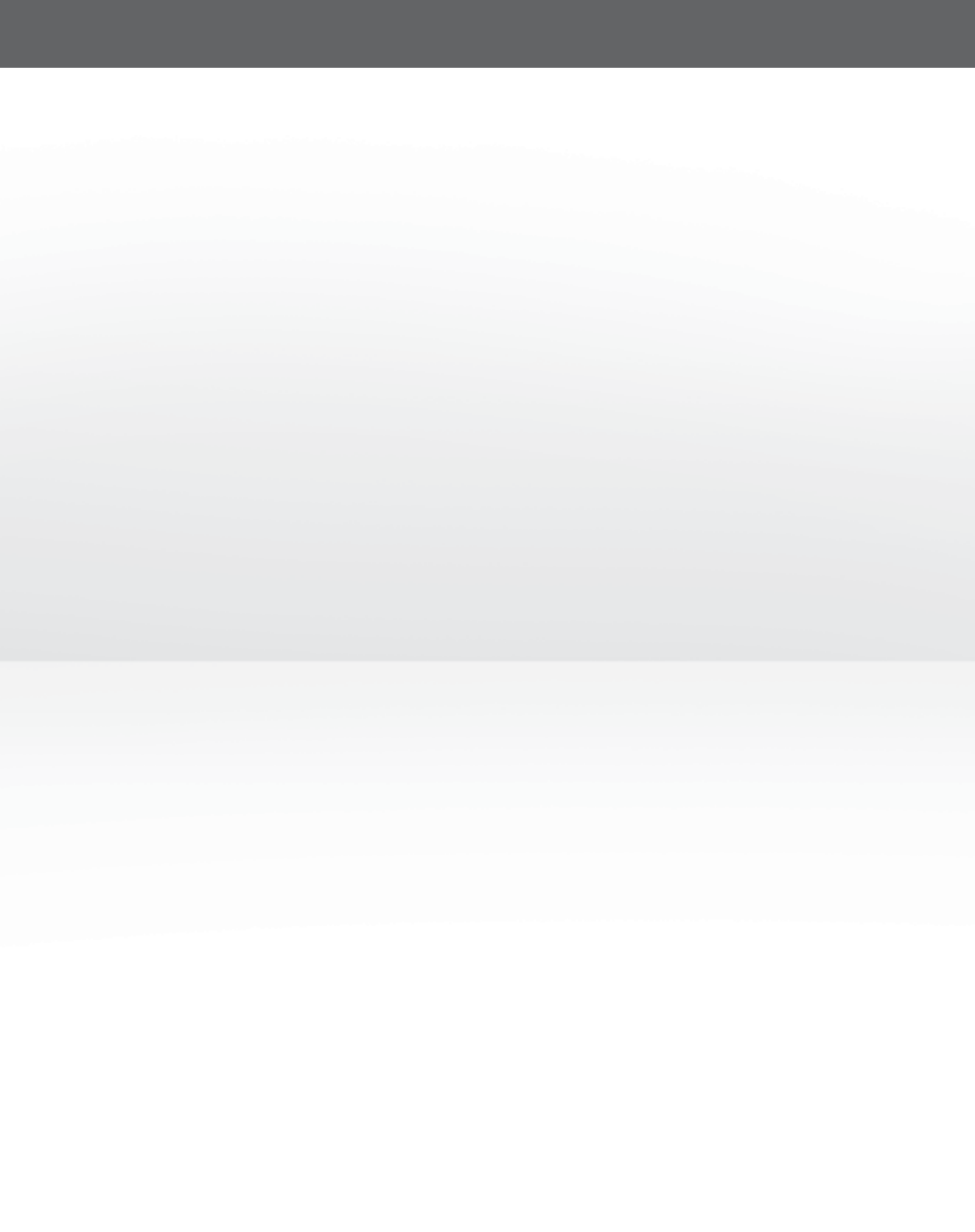
HD-1000, BLACK HARDWARE KIT	697
KA-300, BLACK HARDWARE KIT	697
KC-90, BLACK HARDWARE KIT	697
KC-110, BLACK HARDWARE KIT	697
HOSE CRIMPER KIT	697
KELVIN FASCIA OPTIONS AND BRACKETS	698
PASCAL FASCIA OPTIONS AND BRACKETS	698



When placing an order please contact your sales representative to review your order to ensure the proper system has been identified for your vehicle application.

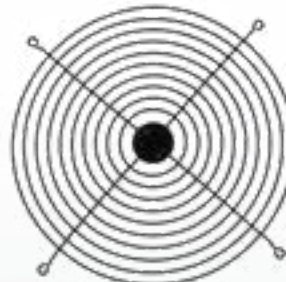
All BSP systems have a 1-year warranty.

Availability of the products shown in this catalog is subject to change without notice by Bergstrom, Inc. For the most current product information please visit the Kysor distributor website at <https://parts.kysorhvac.com/>.



HD-1000, BLACK HARDWARE KIT

Black Hardware Kit	Part Number
Guard Fan	1000335550
M6 Hex Head 25mm Screws	1000898591
M6 Hex Head 16mm Screws	1000898585



1000335550

KA-300, BLACK HARDWARE KIT

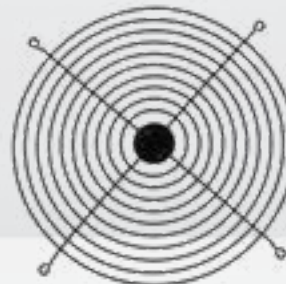
Black Hardware Kit	Part Number
Guard Fan	1000335550
M6 Hex Head 25mm Screws	1000898591
M6 Hex Head 16mm Screws	1000898585
Latch, Black	1000929194



1000929194

KC-90, BLACK HARDWARE KIT

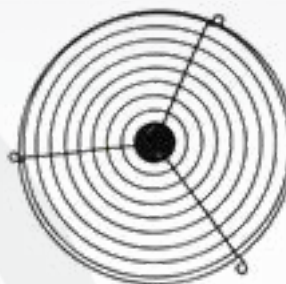
Black Hardware Kit	Part Number
Guard Fan	1000335550
M6 Hex Head 25mm Screws	1000898591
M6 Hex Head 16mm Screws	1000898585



1000335550

KC-110, BLACK HARDWARE KIT

Black Hardware Kit	Part Number
Guard Fan	1000924296
M6 Hex Head 25mm Screws	1000898591
M6 Hex Head 16mm Screws	1000898585



1000924296

HOSE CRIMPER KIT

Hose Crimper Kit	Part Number
Hose Crimper Kit	2610005



2610005

System Kit Options



When placing an order please contact your sales representative to review your order to ensure the proper system has been identified for your vehicle application.

Availability of the products shown in this catalog is subject to change without notice by Bergstrom, Inc. For the most current product information please visit the Kysor distributor website at <https://parts.kysorhvac.com/>.

Warranty

- 1-year limited warranty



KELVIN FASCIA OPTIONS AND BRACKETS

Fascia Kits	Part Number
Outlet Panel 4 x 60 with black clips	BSP00001PANELKIT
Outlet Panel, wave black 4 vent chrome	BSP00002PANELKIT
Outlet Panel, wave black 4 vent black	BSP00004PANELKIT
Wall/Bulkhead Bracket	BSP00005MOUNTKIT
Floor/Ceiling Bracket	BSP00003MOUNTKIT



BSP00001PANELKIT



BSP00002PANELKIT



BSP00004PANELKIT



BSP00005MOUNTKIT



BSP00003MOUNTKIT

PASCAL FASCIA OPTIONS AND BRACKETS

Fascia Kits	Part Number
Outlet Panel 3 x 60 with black clips	BSP00005PANELKIT
Outlet Panel, wave black 3 vent chrome	BSP00003PANELKIT
Outlet Panel, wave black 3 vent black	BSP00006PANELKIT
Wall/Bulkhead Bracket	BSP00006MOUNTKIT
Floor/Ceiling Bracket	BSP00004MOUNTKIT



BSP00005PANELKIT



BSP00003PANELKIT



BSP00006PANELKIT



BSP00006MOUNTKIT



BSP00004MOUNTKIT

Bergstrom Electrified Systems (BES)

Bergstrom Electrified Systems has been designing and manufacturing main-powered and self-contained electric air conditioning equipment for over 40 years. Combining new technology with proven rugged design makes this equipment suitable on any mining or heavy industrial application.



When placing an order please contact your sales representative to review your order to ensure the proper system has been identified for your vehicle application.

All BES systems have a 1-year warranty.

Availability of the products shown in this catalog is subject to change without notice by Bergstrom, Inc. For the most current product information please visit the Kysor distributor website at <https://parts.kysorhvac.com/>.

F-SERIES	701
FFR6 HVAC SYSTEM	702
FVF120 PRESSURIZER SYSTEM	704
FVV50 PRESSURIZER	706
FVV60 PRESSURIZER	708
FVV150 PRESSURIZER	710
FWV100 PRESSURIZER	712
M-SERIES	715
MPV5 HVAC SYSTEM	716
MPV9 HVAC SYSTEM	718
BES2400	720
T-SERIES	723
TBV6 HYDRAULIC COMPRESSOR	724
TCR6 CONDENSER PACKAGE	726
TDR5 HVAC SYSTEM	728
TPR6 A/C SYSTEM	730
TPW5 HVAC SYSTEM	732

F-Series

The F-Series is our line of filter/pressurizers. In this series you can find anything from stand-alone self-cleaning filter packages to simple canister-like add-on filters.

We've designed the series using some of the industry's most efficient filter media available and with efficiency ratings of 99% on particle sizes 0.5 microns and above.

Filtration & Pressurization Systems

In addition to dust filters, the following options are also available:

- Filters which remove gaseous contaminants often generated at industrial processing sites in enclosed spaces (such as underground mining)
- A wide range of electrical supplies to suite site availability
- Larger capacities
- New air conditioning equipment that has higher capacity in cooling, heating and also has heavily upgraded filtration systems to be compatible with higher standards of indoor air quality
- Air compressor/receiver sets to suit self-cleaning filters

Product Data & Specifications

Technical Specifications:						
Model	FFR6	FVW50	FVW60	FVW150	FVW100	FVF120
Type of Unit	cool/heat/filters	Pressurizer	Pressurizer	Pressurizer	Pressurizer	Pressurizer
Voltages Available V.D.C.	12 or 24	12 or 24	12 or 24	12 or 24	12 or 24	n/a
Voltages Available V.A.C.	115-1-50/60	n/a	115-1-50/60	115-1-50/60	115-1-50/60	115-1-50/60
Pressurizer Watts @ 24vdc	150	120	150	150	300	n/a
Pressurizer Watts @ 115vac	200	n/a	200	200	400	400
Pressurizer Airflow:	FVV60	FVW100				
Clear filter, 0.00" w.c. ESP	170 CFM	365 CFM	85 CFM (40 l/s)	170 CFM (80 l/s)	315 CFM (150 l/s)	365 CFM (175 l/s)
0.25" w.c. ESP	145 CFM	325 CFM	18 CFM (9 l/s)	145 CFM (70 l/s)	235 CFM (110 l/s)	325 CFM (155 l/s)
0.50" w.c. ESP	126 CFM	285 CFM	5 CFM (2.5 l/s)	126 CFM (60 l/s)	210 CFM (100 l/s)	260 CFM (125 l/s)
Max. Fan Static Pressure Available	2.5" w.c.	5.3" w.c.	0.65" w.c.	2.5" w.c.	2.2" w.c.	5.3" w.c.
No. of Blower / Motors	1	1	1	1	2	2
No. of Motor Speeds	2	1	1	1	1	Variable Speed
Method of Speed Change	manual				manual	Auto Pres. Transducer
Pre-Cleaner ---Roughing	1	1	1	1	n/a	n/a
Pre-Filter ---- Disposable	12" x 24" x 1"	n/a	n/a	n/a	n/a	n/a
No. of Final Filter Elements	2	1	1	2	1	8
Permanent Filter Size	13"H x 25"Lg	5"Dia x 11"Lg	6.5"Dia x 14"Lg	14.5"Dia x 24"Lg	6"Dia x 13"Lg	5"Dia x 24"Lg
Type of Permanent Filter	Pleated	Pleated	Pleated	Pleated	Pleated	Teflon Coated
Filter Material	Spun Polyester	Paper	Paper	Paper	Spun Polyester	Polyester Sock
Filtration Efficiency	99% @ 0.3 microns	See Note	See Note	See Note	99% @ 0.3 microns	99% @ 0.3 microns
Outlet Spigot	n/a	2.75" x 4.25"	3.63" x 3.63"	5.5" Dia.	4" Dia.	6" Dia.
Compressed Air Inlet					3/8" FPT	3/8" FPT
Compressed Air Pres. Req'd					60-100psig	60-100psig
Mounting Type	Roof	Foot	Foot	Foot	Wall	Foot
Cleaning Trigger					Adjustable Timer	Adjustable Timer
Motor External Protection	Circuit Breaker	no	no	no	Circuit Breaker	Circuit Breaker
Internal Thermal Prot.	yes	yes	yes	yes	yes	yes
Pressurizer Casing Mat'l	Plastic	Painted Steel	Plastic	Stainless Steel	Stainless Steel	Stainless Steel
Weight	325 lb (148 kg)	17 lb (7.7 kg)	21 lb (9.5 kg)	87 lb (40 kg)	100 lb (45 kg)	285 lb (130 kg)

Note #1: Air Cleaner Test, SAE J126, which includes 12% in the 0 - 5 micron range.

Note #2: 1" water column (w.c.) = 250 pascals



Features

- High heating and cooling capacity
- Large return air filter
- High efficiency, serviceable filter to ensure extremely clean air is supplied to the cab
- Optional pressurization system
- Electronic temperature control for optional in-console mounting
- Choice of either radiator-mounted or fan-forced condensers

Control Panel



Suggested Applications



Recommended Pressurizer



FVV60
page 708



FVV100
page 712

Technical Specifications

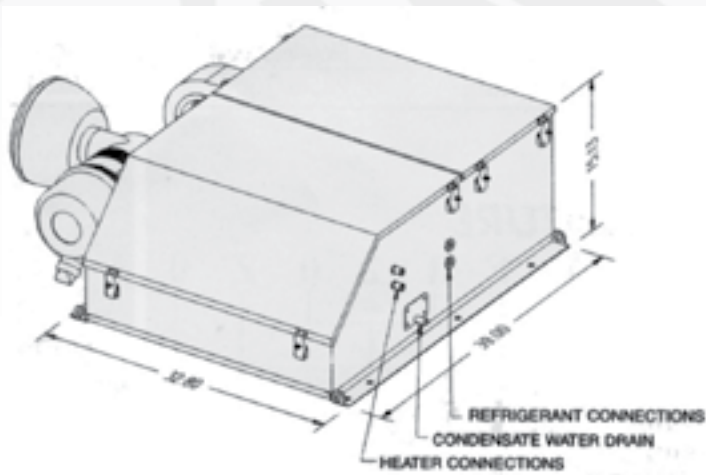
Model	FFR6 12V	FFR6 24V
Voltage	12V	24V
Amps	26 AMPS @ 12 V.D.C.	14 AMPS @ 24 V.D.C.
Maximum air flow	FVV60: 170 SCFM (289m ³ /hr) FVV100: 365 SCFM (620 m ³ /hr)	FVV60: 170 SCFM (289 m ³ /hr) FVV100: 365 SCFM (620 m ³ /hr)
Dimensions (L x W x H)	39in x 32.8in x 15.13in (990.6mm x 833mm x 384.3mm)	39in x 32.8in x 15.13in (990.6mm x 833mm x 384.3mm)
Weight	180 lbs. (81,6 kg)	180 lbs. (81,6 kg)
Mounting Position	Roof	Roof

Measurements are listed using the U.S. system with the metric system in parenthesis.

Dimensions layout



Line Drawing



Model Specifications:	FFR6
Type of Unit	Cool/Heat/ Filters
Voltages Available V.D.C.	12 or 24
Voltages Available V.A.C.	115-1-50/60
Pressurizer Watts @ 24V.D.C.	150
Pressurizer Watts @ 115V.A.C.	2400
Pressurizer Airflow:	FVV60 or FVW100
Clear filter, 0.00" w.c. ESP	170 CFM
0.25" w.c. ESP	365 CFM
0.50" w.c. ESP	145 CFM
Max. Fan Static Pressure Available	325 CFM
2.5" w.c.	126 CFM
5.3" w.c.	285 CFM
No. of Blower / Motors	1
No. of Motor Speeds	2
Method of Speed Change	Manual
Pre-Cleaner ---Roughing	1
Pre-Filter --- Disposable	12" x 24" x 1"
No. of Final Filter Elements	2
Permanent Filter Size	13"H x 25"Lg
Type of Permanent Filter	Pleated
Filter Material	Spun Polyester
Filtration Efficiency	99% @ 0.3 Microns
Mounting Type	Roof
Motor External Protection	Circuit Breaker
Internal Thermal Protection	Yes
Pressurizer Casing Material	Plastic

Bergstrom Electrified

Note #1: Air Cleaner Test, SAE J126, which includes 12% in the 0 - 5 micron range.

Note #2: 1" water column (w.c.) = 250 pascals

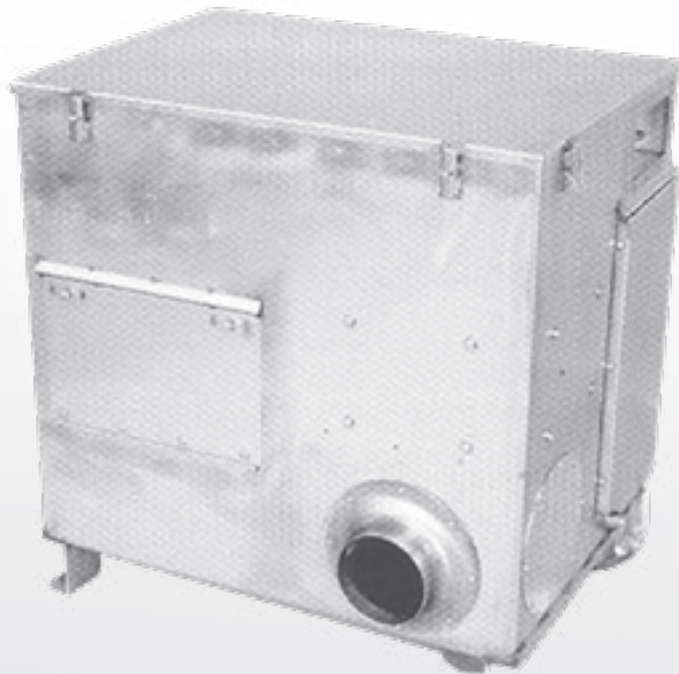


When placing an order please contact your sales representative to review your order to ensure the proper system has been identified for your vehicle application.

Availability of the products shown in this catalog is subject to change without notice by Bergstrom, Inc. For the most current product information please visit the Kysor distributor website at <https://parts.kysorhvac.com/>.

Warranty

- 1-year limited warranty



Suggested Applications



Features

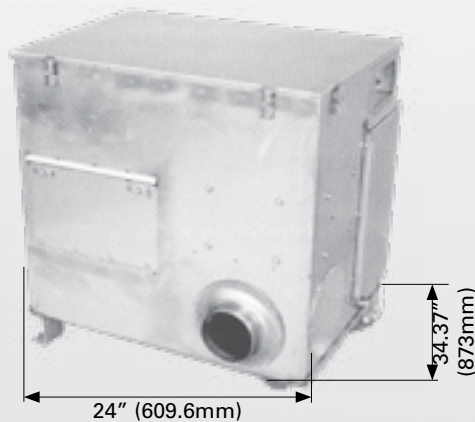
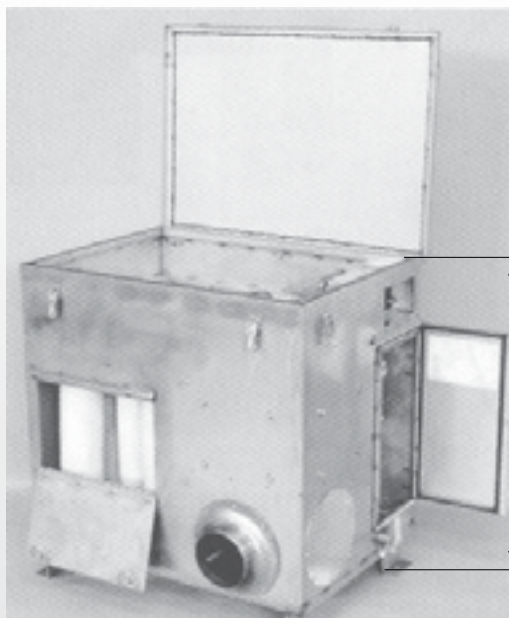
- Suitable for main-powered electrical equipment
- Consists of eight teflon coated elements housed on a wire-frame structure with a venturi tube delivery
- (2) backward curved fans mounted in series to provide high static pressure capability
- Two-stage operation with the second fan coming on with drop in-room pressure alternatively
- Automatic speed control according to room pressure
- System is equipped with a receiver tank and solenoid valves for cleaning the air filtration system
- Back-flush cycle is on a variable time basis which is determined by site conditions. After a pre-set time, the fans will stop to assist the purging process with compressed air. After another time delay, fans will start up again.
- System is designed as a stand-alone device and has the capacity to have up to three air discharge outlets from its base.

Technical Specifications

Model	FVF120 120V
Voltage	120V
Amps	3 AMPS @ 120 V.A.C. 20 AMPS @ 24 V.D.C.
Maximum air flow	365 SCFM (620 m ³ /hr)
Dimensions (L x W x H)	24in x 34.37in x 35.56in (609.6mm x 873mm x 903.2mm)
Weight	285 lbs. (129,3 kg)
Mounting Position	Foot

Measurements are listed using the U.S. system with the metric system in parenthesis.

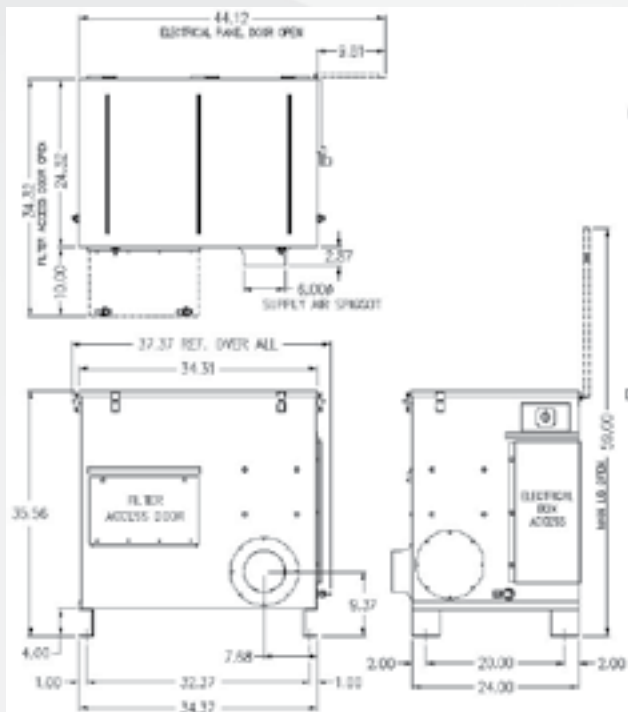
Dimensions layout



Model Specifications:	VVF120
Type of Unit	Filter/ Blowers
Voltages Available V.A.C.	115-1-50/60
Pressurizer Watts @ 115 V.A.C.	400
Pressurizer Airflow:	
Clear filter, 0.00" w.c. ESP	365 CFM (175 l/s)
0.25" w.c. ESP	325 CFM (155 l/s)
0.50" w.c. ESP	260 CFM (125 l/s)
Max. Fan Static Pressure Available	4.7" w.c.
No. of Blower / Motors	2
No. of Motor Speeds	Variable
Method of Speed Change	Auto Pres. Transducer
No. of Final Filter Elements	8
Permanent Filter Size	5" Dia x 24"Lg
Type of Permanent Filter	Teflon Coated
Filter Material	Polyester Stock
Filtration Efficiency	99% @ 0.3 Microns
Outlet Spigot	6" Dia.
Compressed Air Inlet	3/8" FPT
Compressed Air Pressure Required	60-100 psig
Mounting Type	Foot
Cleaning Trigger	Adjustable Timer
Motor External Protection	Circuit Breaker
Internal Thermal Protection	Yes
Pressurizer Casing Material	Stainless Steel

Bergstrom Electrified

Line Drawing



Note #1: Air Cleaner Test, SAE J126, which includes 12% in the 0 - 5 micron range.
 Note #2: 1" water column w.c.) = 250 pascals



When placing an order please contact your sales representative to review your order to ensure the proper system has been identified for your vehicle application.

Availability of the products shown in this catalog is subject to change without notice by Bergstrom, Inc. For the most current product information please visit the Kysor distributor website at <https://parts.kysorvac.com/>.

Warranty

- 1-year limited warranty



Features

- Stand-alone pressurizer for 12 and 24VDC
- Heavy-duty steel base construction
- Suitable for well-sealed cabs and enclosures
- A welded steel base construction and durable plastic cover
- Highly resistant in many environments

Suggested Applications



**Auxillary piece for BES-series
air conditioners**

Technical Specifications

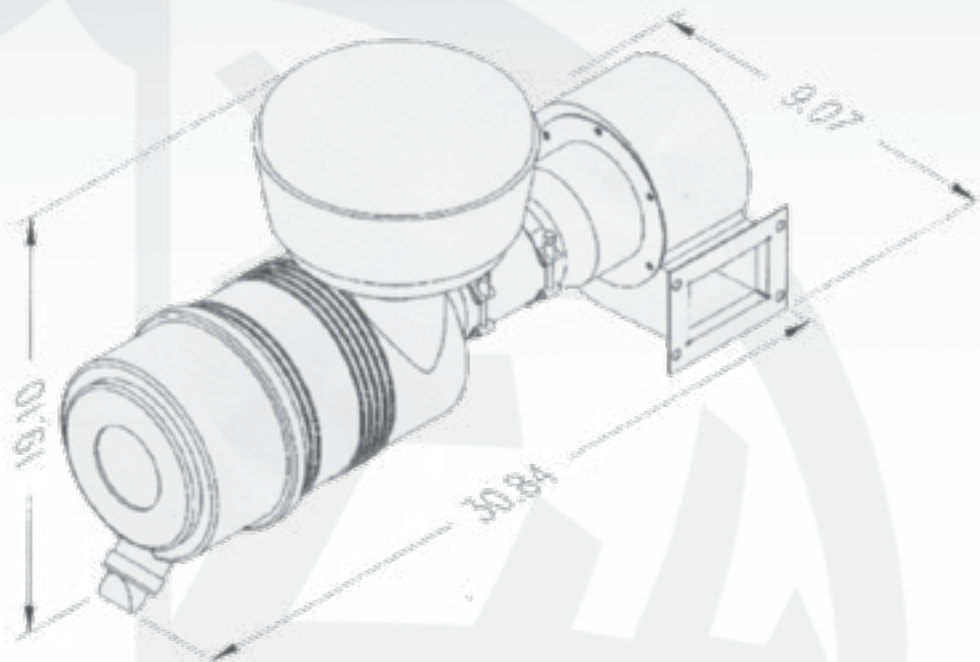
Model	FVV50 12V	FVV50 24V
Voltage	12V	24V
Amps	10 AMPS @ 12 V.D.C.	5 AMPS @ V.D.C.
Maximum air flow	85 SCFM (144 m ³ /hr)	85 SCFM (144 m ³ /hr)
Dimensions (L x W x H)	30.84in x 9.07in x 19.1in (783mm x 230mm x 485mm)	30.84in x 9.07in x 19.1in (783mm x 230mm x 485mm)
Weight	17 lbs. (7,7 kg)	17 lbs. (7,7 kg)
Mounting Position	Foot	Foot

Measurements are listed using the U.S. system with the metric system in parenthesis.

Dimensions layout



Line Drawing



Model Specifications:	FVV50
Type of Unit	Filter/Blower
Voltages Available V.D.C.	12 or 24
Pressurizer Watts @ 24V.D.C.	120
Pressurizer Airflow:	
Clear filter, 0.00" w.c. ESP	85 CFM (40 l/s)
0.25" w.c. ESP	18 CFM (9 l/s)
0.50" w.c. ESP	5 CFM (2.5 l/s)
Max. Fan Static Pressure Available	0.65" w.c.
No. of Blower / Motors	1
No. of Motor Speeds	1
Pre-Cleaner	1
---Roughing	1
No. of Final Filter Elements	1
Permanent Filter Size	5" Dia x 11"Lg
Type of Permanent Filter	Pleated
Filter Material	Paper
Filtration Efficiency	See Note
Outlet Spigot	2.75" x 4.25"
Mounting Type	Foot
Motor External Protection	No
Internal Thermal Protection	Yes
Pressurizer Casing Material	Painted Steel

Note #1: Air Cleaner Test, SAE J126, which includes 12% in the 0 - 5 micron range.
 Note #2: 1" water column (w.c.) = 250 pascals

Bergstrom Electrified



When placing an order please contact your sales representative to review your order to ensure the proper system has been identified for your vehicle application.

Availability of the products shown in this catalog is subject to change without notice by Bergstrom, Inc. For the most current product information please visit the Kysor distributor website at <https://parts.kysorhvac.com/>.

Warranty

- 1-year limited warranty



Features

- Suitable for well-sealed cabs and enclosures
- Heavy-duty steel base construction
- Durable cover, highly resistant in many environments
- Canister is flexible so it can be relocated to a remote site
- Plastic filter housing

Suggested Applications



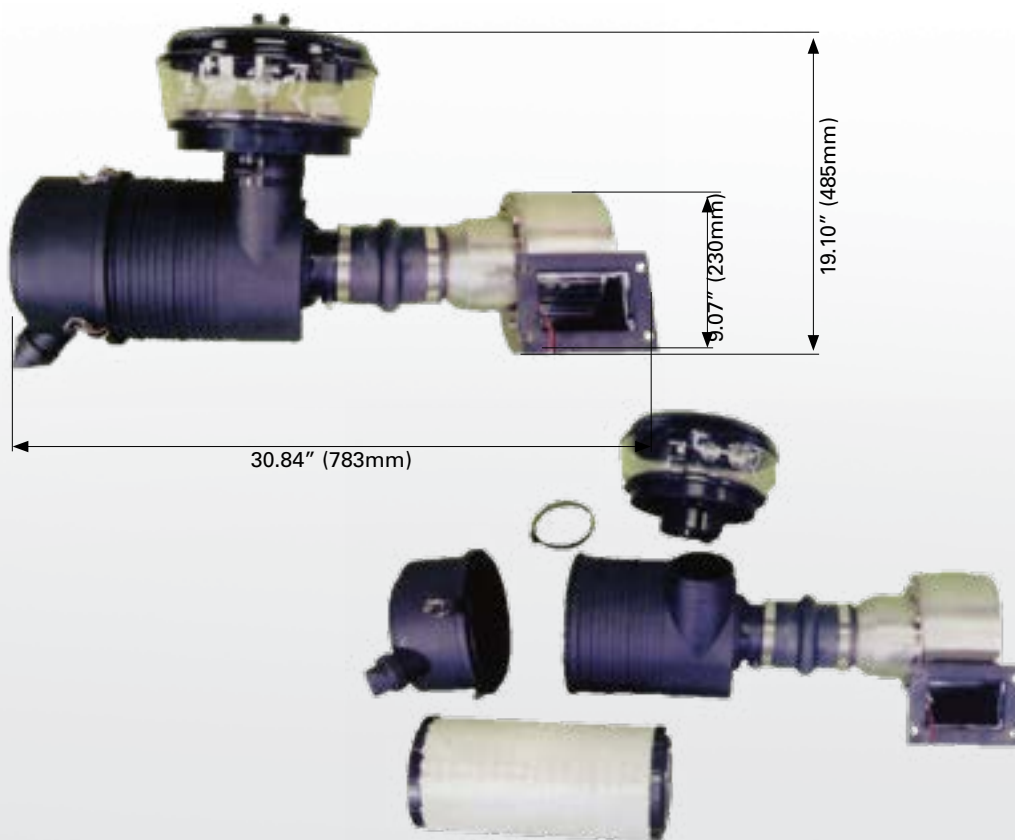
**Auxillary piece for BES-series
air conditioners**

Technical Specifications

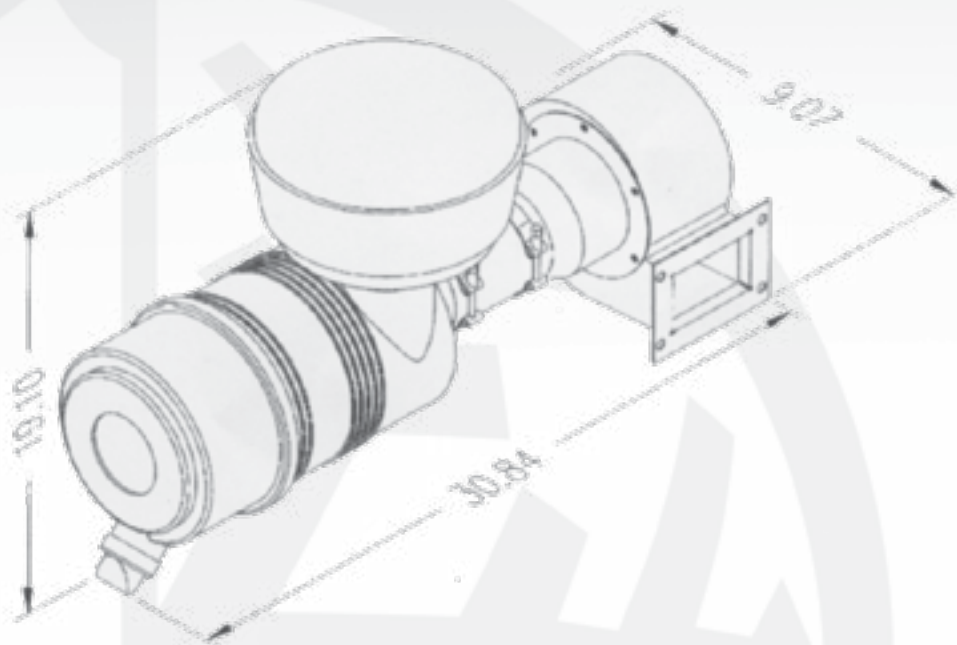
Model	FVV650 12V	FVV60 24V
Voltage	12V	24V
Amps	10 AMPS @ 12 V.D.C.	5 AMPS @ 24 V.D.C.
Maximum air flow	170 SCFM (289 m ³ /hr)	170 SCFM (289 m ³ /hr)
Dimensions (L x W x H)	30.84in x 9.07in x 19.1in (783mm x 230mm x 485mm)	30.84in x 9.07in x 19.1in (783mm x 230mm x 485mm)
Weight	21 lbs. (9,5 kg)	21 lbs. (9,5 kg)
Mounting Position	Foot	Foot

Measurements are listed using the U.S. system with the metric system in parenthesis.

Dimensions layout



Line Drawing



Model Specifications:	FVV60
Type of Unit	Filter/Blower
Voltages Available V.D.C.	12 or 24
Voltages Available V.A.C.	115-1-50/60
Pressurizer Watts @ 24 V.D.C.	150
Pressurizer Watts @ 115 V.A.C.	200
Pressurizer Airflow:	
Clear filter, 0.00" w.c. ESP	170 CFM (80 l/s)
0.25" w.c. ESP	145 CFM (70 l/s)
0.50" w.c. ESP	126 CFM (60 l/s)
Max. Fan Static Pressure Available	2.55" w.c.
No. of Blower / Motors	1
No. of Motor Speeds	1
Pre-Cleaner ---Roughing	1
No. of Final Filter Elements	1
Permanent Filter Size	6.5" Dia x 14" Lg
Type of Permanent Filter	Pleated
Filter Material	Paper
Filtration Efficiency	See Note
Outlet Spigot	3.63" x 3.63"
Mounting Type	Foot
Motor External Protection	No
Internal Thermal Protection	Yes
Pressurizer Casing Material	Plastic

Note #1: Air Cleaner Test, SAE J126, which includes 12% in the 0 - 5 micron range.
 Note #2: 1" water column (w.c.) = 250 pascals



When placing an order please contact your sales representative to review your order to ensure the proper system has been identified for your vehicle application.

Availability of the products shown in this catalog is subject to change without notice by Bergstrom, Inc. For the most current product information please visit the Kysor distributor website at <https://parts.kysorvac.com/>.

Warranty

- 1-year limited warranty

Bergstrom Electrified



Features

- Suitable for well-sealed cabs and enclosures
- Heavy-duty steel base construction
- Durable cover, highly resistant in many environments
- Large filters that require manual cleaning
- Suitable for very dusty applications with extended intervals between cleaning
- Safety filter included
- System is available in A/C or D/C configurations

Suggested Applications

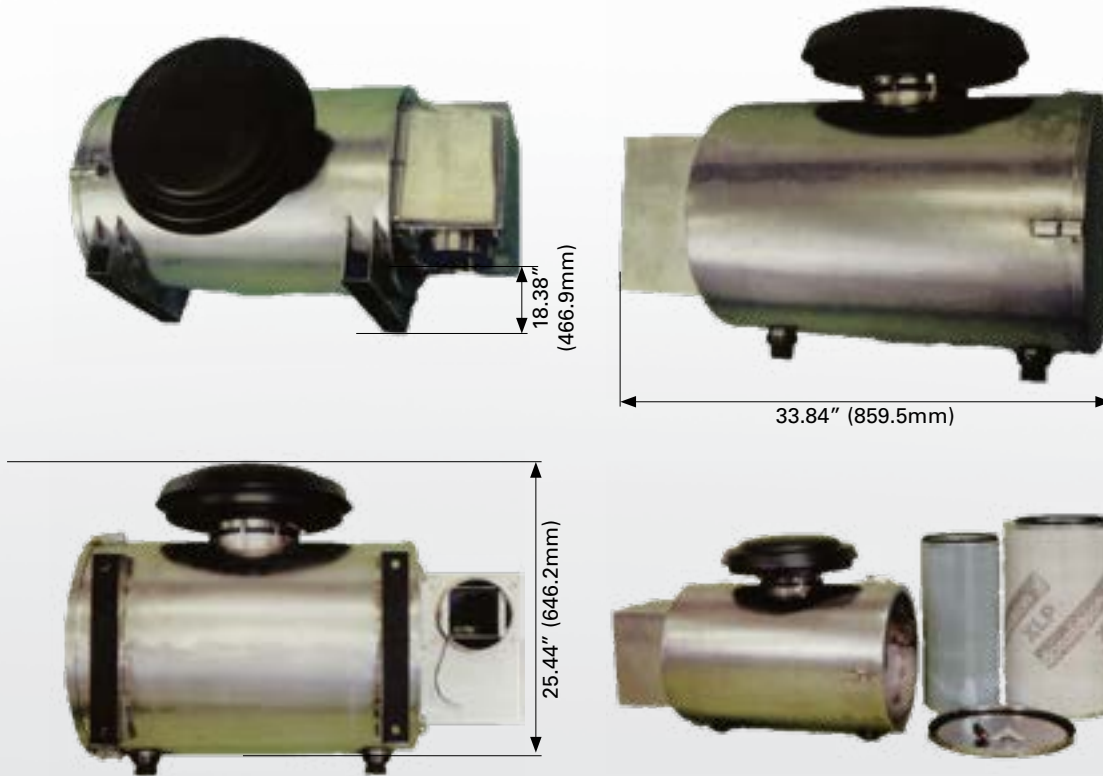


Technical Specifications

Model	FVV150 12V	FVV150 24V
Voltage	12V	24V
Amps	14 AMPS @ 12 V.D.C.	7 AMPS @ 24 V.D.C.
Maximum air flow	315 SCFM (535 m ³ /hr)	315 SCFM (535 m ³ /hr)
Dimensions (L x W x H)	33.84in x 18.38in x 25.44in (859.5mm x 466.9mm x 646.2mm)	33.84in x 18.38in x 25.44in (859.5mm x 466.9mm x 646.2mm)
Weight	88.2 lbs. (40 kg)	88.2 lbs. (40 kg)
Mounting Position	Foot	Foot

Measurements are listed using the U.S. system with the metric system in parenthesis.

Dimensions layout

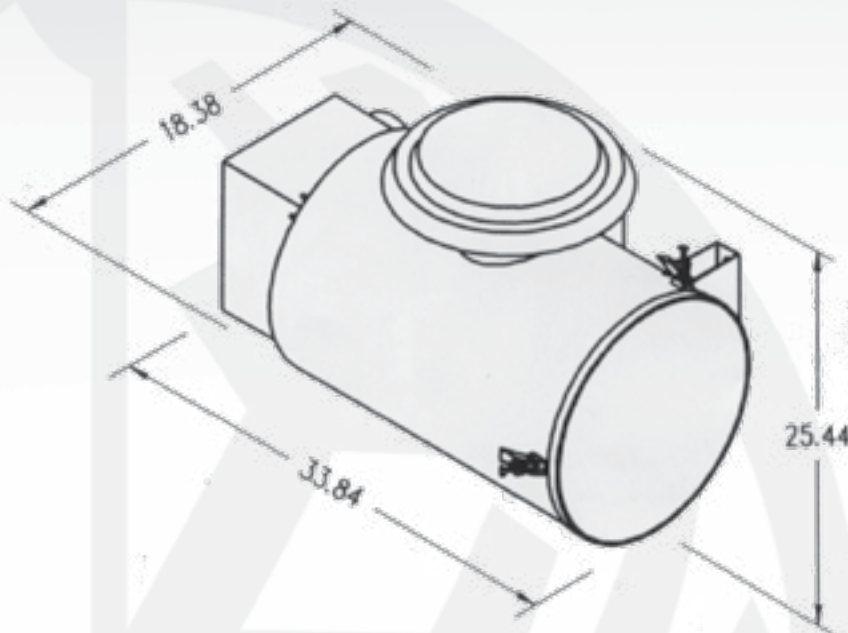


Model Specifications:	FVV150
Type of Unit	Filter/Blower
Voltages Available V.D.C.	12 or 24
Voltages Available V.A.C.	115-1-50/60
Pressurizer Watts @ 24v V.D.C.	150
Pressurizer Watts @ 115V.A.C.	200
Pressurizer Airflow:	
Clear filter, 0.00" w.c. ESP	315 CFM (150 l/s)
0.25" w.c. ESP	235 CFM (110 l/s)
0.50" w.c. ESP	210 CFM (100 l/s)
Max. Fan Static Pressure Available	2.2" w.c.
No. of Blower / Motors	1
No. of Motor Speeds	1
Pre-Cleaner ---Roughing	1
No. of Final Filter Elements	2
Permanent Filter Size	14.5" Dia x 24" Lg
Type of Permanent Filter	Pleated
Filter Material	Paper
Filtration Efficiency	See Note
Outlet Spigot	5.5" Dia.
Mounting Type	Foot
Motor External Protection	No
Internal Thermal Protection	Yes
Pressurizer Casing Material	Stainless Steel

Bergstrom Electrified

Note #1: Air Cleaner Test, SAE J126, which includes 12% in the 0 - 5 micron range.
 Note #2: 1" water column (w.c.) = 250 pascals

Line Drawing



When placing an order please contact your sales representative to review your order to ensure the proper system has been identified for your vehicle application.

Availability of the products shown in this catalog is subject to change without notice by Bergstrom, Inc. For the most current product information please visit the Kysor distributor website at <https://parts.kysorhvac.com/>.

Warranty

- 1-year limited warranty



Features

- Stainless steel construction
- Impact resistant cover
- Highly efficient and washable filter
- (2) fans mounted in series to provide high static pressure capability
- Designed for use in cabs and enclosures of typically heavy diesel driven machinery where compressed air source is available
- Fan cycle times are adjustable to suit site conditions.
- Available in 24VDC or 120VAC voltages

Suggested Applications

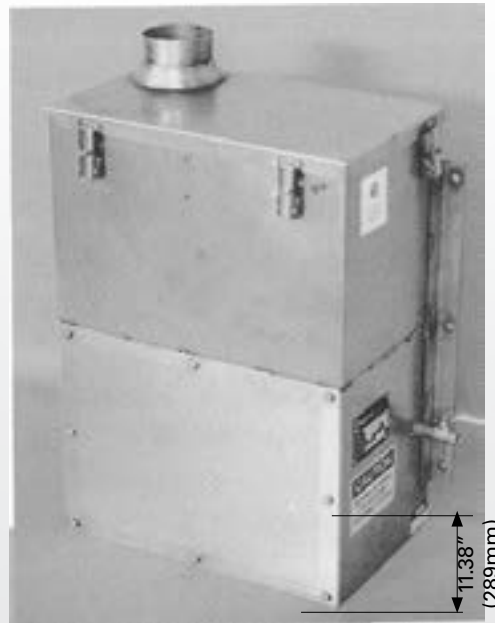
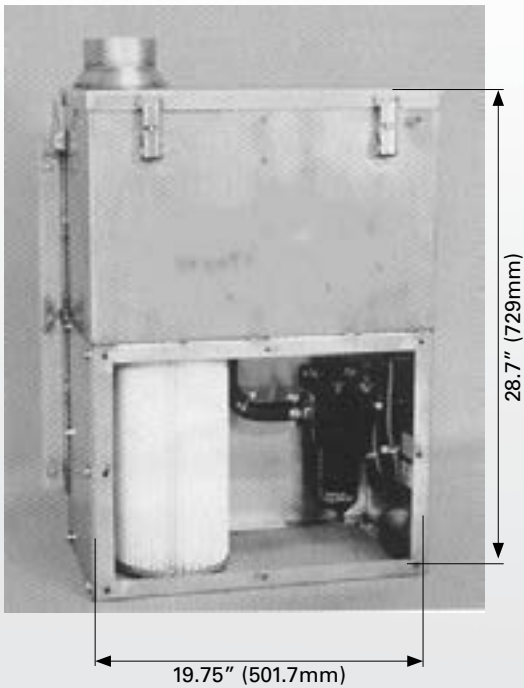


Technical Specifications

Model	FVW100 120V	FVW100 24V
Voltage	12V	24V
Amps	3 AMPS @ 120 V.A.C	7 AMPS @ 24 V.D.C.
Maximum air flow	365 SCFM (620 m ³ /hr)	365 SCFM (620 m ³ /hr)
Dimensions (W x H x D)	19.75in x 28.7in x 11.38in (501.7mm x 729mm x 289mm)	19.75in x 28.7in x 11.38in (501.7mm x 729mm x 289mm)
Weight	100 lbs. (45,5 kg)	100 lbs. (45,5 kg)
Mounting Position	Wall	Wall

Measurements are listed using the U.S. system with the metric system in parenthesis.

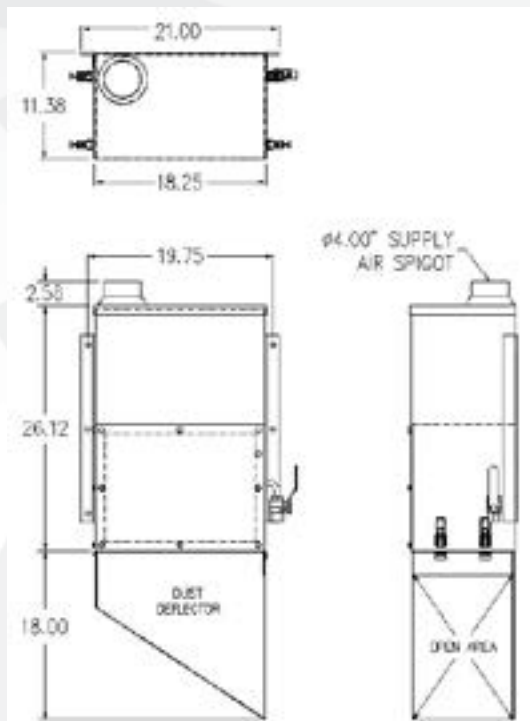
Dimensions layout



Model Specifications:	FVW100
Type of Unit	Filter/ Blowers
Voltages Available V.D.C.	12 or 24
Voltages Available V.A.C.	115-1-50/60
Pressurizer Watts @ 24 V.D.C.	300
Pressurizer Watts @ 115 V.A.C.	400
Pressurizer Airflow:	
Clear filter, 0.00" w.c. ESP	365 CFM (175 l/s)
0.25" w.c. ESP	325 CFM (155 l/s)
0.50" w.c. ESP	285 CFM (135 l/s)
Max. Fan Static Pressure Available	5.3" w.c.
No. of Blower / Motors	2
No. of Motor Speeds	1
Method of Speed Change	Manual
No. of Final Filter Elements	1
Permanent Filter Size	6" Dia x 13" Lg
Type of Permanent Filter	Pleated
Filter Material	Spun Polyester
Filtration Efficiency	99% @ 0.3 Microns
Outlet Spigot	4" Dia.
Compressed Air Inlet	3/8" FPT
Compressed Air Pressure Required	60-100 psig
Mounting Type	Wall
Cleaning Trigger	Adjustable Timer
Motor External Protection	Circuit Breaker
Internal Thermal Protection	Yes
Pressurizer Casing Material	Stainless Steel

Bergstrom Electrified

Line Drawing



Note #1: Air Cleaner Test, SAE J126, which includes 12% in the 0 - 5 micron range.
 Note #2: 1" water column (w.c.) = 250 pascals



When placing an order please contact your sales representative to review your order to ensure the proper system has been identified for your vehicle application.

Availability of the products shown in this catalog is subject to change without notice by Bergstrom, Inc. For the most current product information please visit the Kysor distributor website at <https://parts.kysorhvac.com/>.

Warranty

- 1-year limited warranty

M-Series

The multipurpose M-Series is designed to be used on larger cabs where 3-phase electrical power is available, such as draglines, drills, crane cabs and shovels. These are the largest systems in the Bergstrom line and are available in capacities of 18,000 BTU/hr to 54,000 BTU/hr. Various voltages are available.

Available Power Options:

- 208-230/1/60
- 200-230/3/60
- 200-220/3/50
- 380-415/3/50
- 460/3/60
- 460/3/50
- 575/3/60

A variety of control voltages also available

Special Options:

- Coated Coils
- Alternative High Ambient Refrigerants

Product Data & Specifications

Technical Specifications:						
Model	MPV5		MPV9		BES2400	
Cooling Capacity	18,000 btu/hr	(5,2 kW)	31,000 btu/hr	(8,9 kW)	24,000 BTU/hr (7 kW)	
Heating Capacity	34,000 btu/hr	(10,0 kW)	41,000 btu/hr	(12,0 kW)	20,450 BTU/hr (6kW)	
Heating Stages	two		two			
Airflow - High Speed	600 CFM	(280 l/s)	1300 CFM	(610 l/s)		
Airflow - Low Speed	500 CFM	(240 l/s)	870 CFM	(410 l/s)	600 CFM	(1,019 m ³ /hr)
Weight	540 lbs	(245 kg)	1300 lbs	(590 kg)	208 lbs	(110 kg)
Compressor Type	scroll		scroll			
Number of Cylinders	n/a		n/a			
Pressurization	120 CFM	(56 l/s)	120 CFM	(56 l/s)		
Controls	110 V.A.C.		110 V.A.C.			
Motor Protection	Circuit Breaker		Circuit Breaker			
	Thermal Overload		Thermal Overload			
Compr. Capacity Control	none		none			
Condenser Fan	1 speed		1 speed			
Refrigerant Metering	TXV		TXV			
Thermostat-Electronic 5 Stage	Standard		Standard			

Rating Conditions: Cooling Capacity - Indoor 80°F DB/67°F WB with Outdoor 110°F DB/60°F WB

Heating Capacity @ Rated Voltage

For capacities at ARI Std. 210 conditions of cooling capacity, with Indoor 80°F DB/67°F WB and Outdoor 95°F DB/75°F WB add approximately 75% to rated capacity.

Above Spec based on 460/30/60 versions heating and coling, capacities may vary depending on supplied voltage.



Features

- Heavy gauge stainless steel construction
- Designed for smaller mining cabs and industrial equipment
- Easy installation
- Quiet and efficient scroll compressors
- Two-stage electric heat
- Positively pressurized electrical cubicle to keep dust and water out
- 5-stage electronic thermostat with remote control for operator comfort
- Compatible with new automatic cleaning pressurizer

Suggested Applications



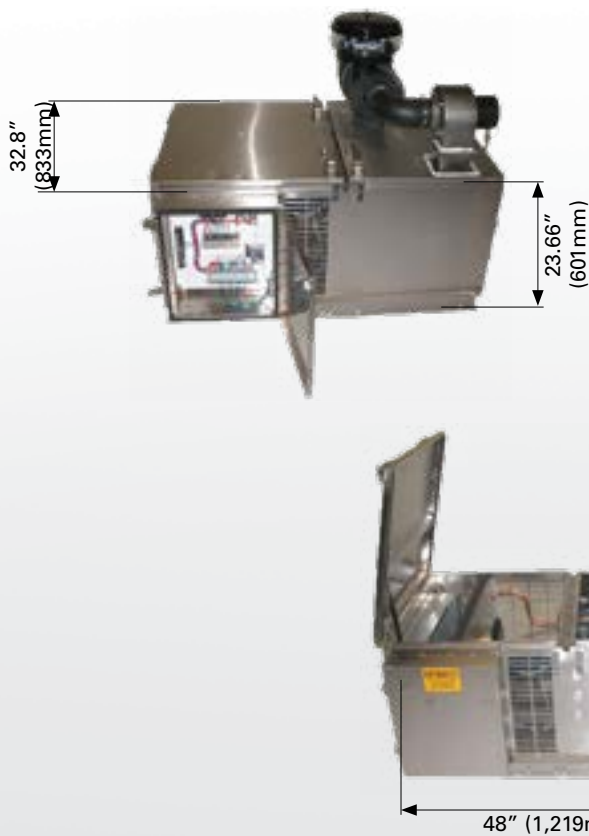
Technical Specifications

Model	MPV5
Power*	Cooling: 18,000 BTU/hr (5,3 kW) Heating: 34,000 BTU/hr (10,0 kW)
Amps	20 AMPS @ 460/3/60
Maximum air flow	High: 600 SCFM (1,019 m ³ /hr) Low: 500 SCFM (850 m ³ /hr)
Dimensions (L x W x H)	48in x 32.8in x 23.66in (1,219mm x 833mm x 601mm)
Weight	540 lbs. (244,9 kg)
Mounting Position	Rooftop, Walkway or Deck

(*) System cooling capacity is based on system component-calculated capacities in accordance with IMACA 200 standard test conditions: indoor 80°F DB/67°F WB with outdoor 110°F DB/60°F WB. Heating capacity is at rated voltage in accordance with SAEJ638.

Measurements are listed using the U.S. system with the metric system in parenthesis.

Dimensions layout



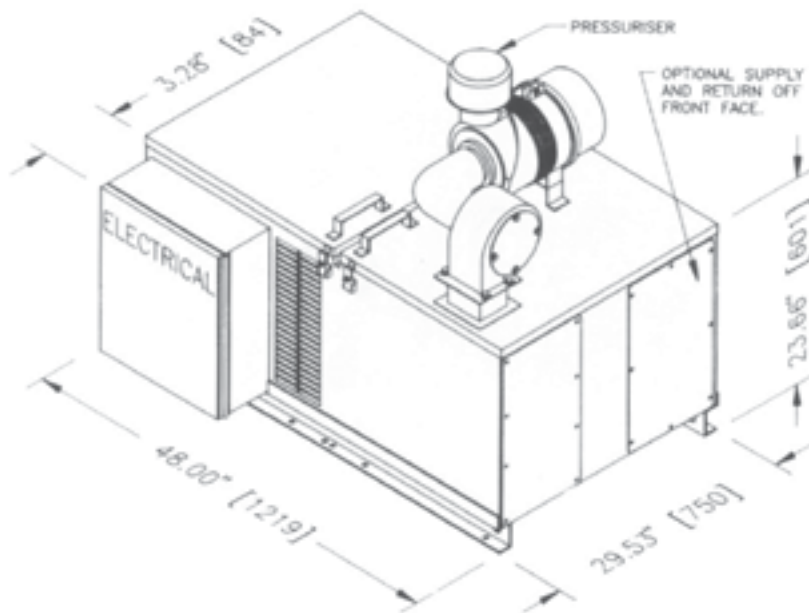
Model Specifications:	MPV5
Cooling Capacity	18,000 BTU/hr (5,2 kw)
Heating Capacity	34,000 BTU/hr (10,0 kw)
Heating Stages	2
Airflow - High Speed	600 CFM (280 l/s)
Airflow - Low Speed	500 CFM (240 l/s)
Compressor Type	Scroll
Pressurization	120 CFM (56 l/s)
Controls	110 VAC
Motor Protection	Circuit Breaker Thermal Overload
Compressor Capacity Control	None
Condenser Fan	1-Speed
Refrigerant Metering	TXV
Thermostat	Standard
- Electronic 5-stage	

Rating Conditions: Cooling Capacity - Indoor 80°F DB/67°F WB with Outdoor 110°F DB/60°F WB Heating Capacity @ Rated Voltage

For capacities at ARI Std. 210 conditions of cooling capacity with 80°F DB/67°F WB and Outdoor 95°F DB/75°F WB add approximately 7.5% to rated capacity.

Above spec based on 460/30/60 versions of heating and cooling, capacities may vary depending on supplied voltage.

Line Drawing



Bergstrom Electrified



When placing an order please contact your sales representative to review your order to ensure the proper system has been identified for your vehicle application.

Availability of the products shown in this catalog is subject to change without notice by Bergstrom, Inc. For the most current product information please visit the Kysor distributor website at <https://parts.kysorhvac.com/>.

Warranty

- 1-year limited warranty



Suggested Applications



Features

- Heavy gauge stainless steel construction
- Triple-gasketed evaporator cover to eliminate dust and water ingress
- Positively pressurized electrical cubicle to keep dust and water out
- Very easy to service and keep clean
- Quiet operation with large scroll compressor
- Higher capacity to handle increased cooling and heating loads due to increases in amounts of air pressurization
- Head pressure control for cooler climate operations without sacrificing performances in hot locations
- No pre-cleaner required since pressurizer intake is from condenser fan intake
- Capacity controls to enhance operation over a wide temperature range
- 5-stage electronic thermostat with remote control for operator comfort
- Compatible with new automatic cleaning pressurizer
- Several power options available

Technical Specifications

Model	MPV9
Power*	Cold: 30,369 BTU/hr (8,9 kW) Hot: 40,946 BTU/hr (12,0 kW)
Amps	25 AMPS @ 460/3/60
Maximum air flow	High: 1,300 SCFM (2,209 m ³ /hr) Low: 870 SCFM (1,478 m ³ /hr)
Dimensions (L x W x H)	47.48in x 62.72in x 32.75in (1,206mm x 1,593mm x 832mm)
Weight	1,100 lbs. (499 kg)
Mounting Position	Rooftop, Walkway or Deck

(*) System cooling capacity is based on system component-calculated capacities in accordance with IMACA 200 standard test conditions: indoor 80°F DB/67°F WB with outdoor 110°F DB/60°F WB. Heating capacity is at rated voltage in accordance with SAEJ638.

Measurements are listed using the U.S. system with the metric system in parenthesis.

Dimensions layout



Model Specifications:	MPV5
Cooling Capacity	31,000 BTU/hr (8,9 kw)
Heating Capacity	41,000 BTU/hr (12,0 kw)
Heating Stages	2
Airflow - High Speed	1,300 CFM (610 l/s)
Airflow - Low Speed	870 CFM (410 l/s)
Compressor Type	Scroll
Pressurization	120 CFM (56 l/s)
Controls	110VAC
Motor Protection	Circuit Breaker Thermal Overload
Compressor Capacity Control	None
Condenser Fan	1-Speed
Refrigerant Metering	TXV
Thermostat	Standard
- Electronic 5-stage	

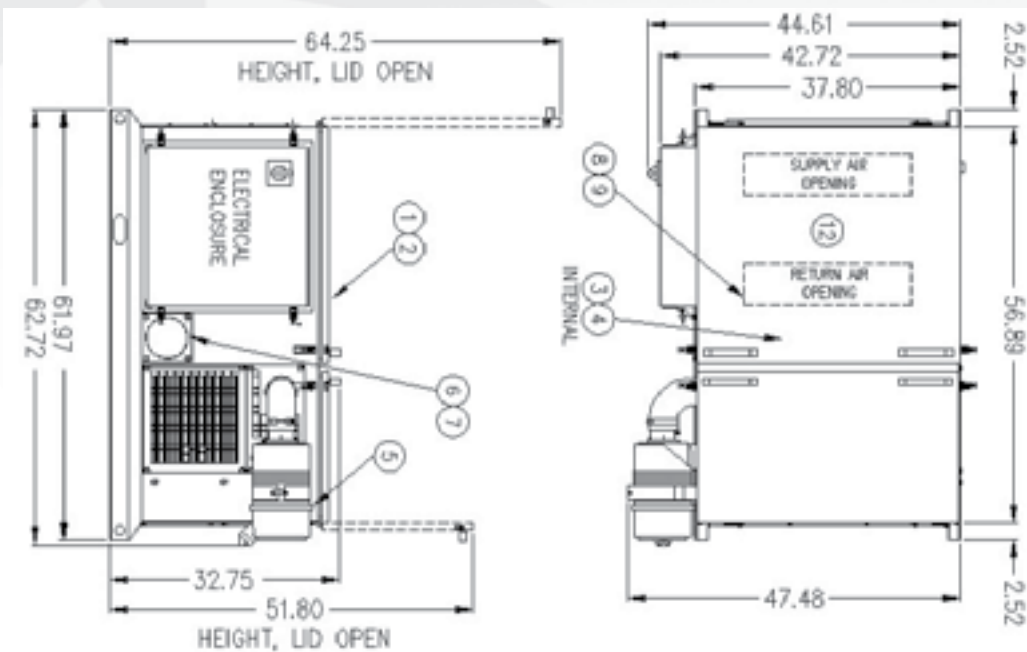
Rating Conditions: Cooling Capacity - Indoor 80°F DB/67°FWB with Outdoor 110°F DB/60°FWB Heating Capacity @ Rated Voltage

For capacities at ARI Std. 210 conditions of cooling capacity with 80°F DB/67°FWB and Outdoor 95°F DB/75°FWB add approximately 7.5% to rated capacity.

Above spec based on 460/30/60 versions of heating and cooling, capacities may vary depending on supplied voltage.

Bergstrom Electrified

Line Drawing



When placing an order please contact your sales representative to review your order to ensure the proper system has been identified for your vehicle application.

Availability of the products shown in this catalog is subject to change without notice by Bergstrom, Inc. For the most current product information please visit the Kysor distributor website at <https://parts.kysorhvac.com/>.

Warranty

- 1-year limited warranty



Features

- Heavy gauge stainless steel construction
- Uses environmentally friendly R134a
- Operates in extreme conditions up to 122°F/50°C



Suggested Applications



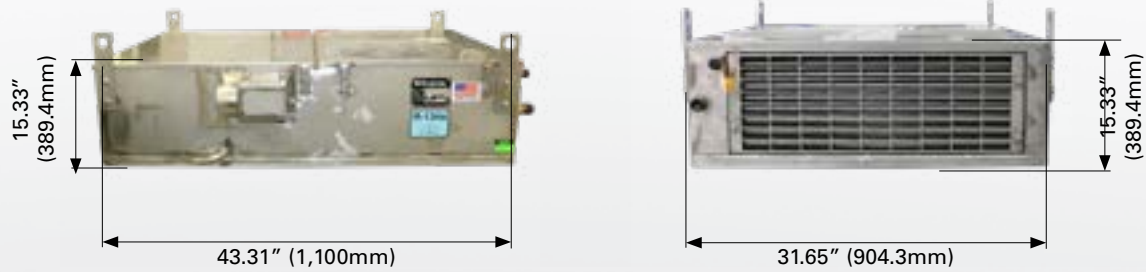
Technical Specifications

Model	BES2400
Power*	Cold: 24,000 BTU/hr (7 kW) Hot: 20,450 BTU/hr (6 kW)
Amps	40 AMPS @ 24 V. D. C.
Maximum air flow	600 SCFM (1,019 m ³ /hr)
Dimensions (L x W x H)	43.31in x 31.65in x 15.33in (1,100mm x 8043mm x 389.4mm)
Weight	208 lbs. (110 kg)
Mounting Position	Rooftop

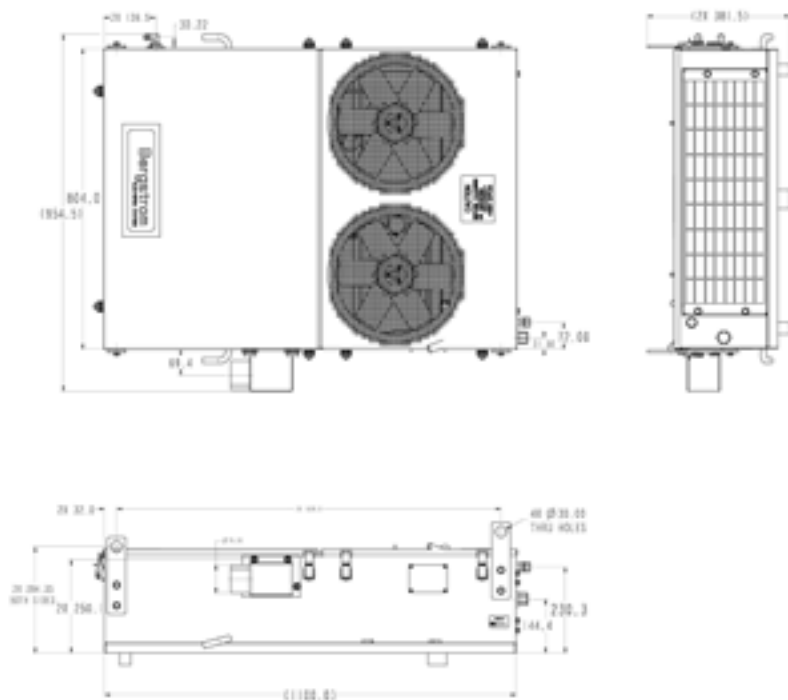
(*) System cooling capacity is based on system component-calculated capacities in accordance with IMACA 200 standard test conditions: indoor 80°F DB/67°F WB with outdoor 110°F DB/60°F WB. Heating capacity is at rated voltage in accordance with SAEJ638.

Measurements are listed using the U.S. system with the metric system in parenthesis.

Dimensions layout



Line Drawing



When placing an order please contact your sales representative to review your order to ensure the proper system has been identified for your vehicle application.

Availability of the products shown in this catalog is subject to change without notice by Bergstrom, Inc. For the most current product information please visit the Kysor distributor website at <https://parts.kysorhvac.com/>.

Warranty

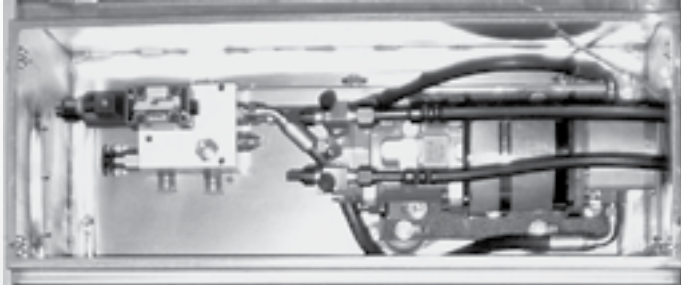
- 1-year limited warranty

T-Series

Our T-Series, or tractor series, is designed to be used on cabs of various rubber-tired or tracked vehicles; such as haul trucks, small drills and others. The systems are generally 12 or 24 V.D.C. and typically require a remote engine-driven compressor.

Product Data & Specifications

Technical Specifications:					
Model	TBV6	TCR6	TDR5	TPR6	TPW5
Voltage	12V or 24V	12V or 24V			
Cooling Capacity		up to 22,000 BTU/hr (6,4 kW)	18,000 BTU/hr (5,2 kW)	20,473 BTU/hr (6 kW)	18,000 BTU/hr (5,3 kW)
Heating Capacity - Hot Water			35,000 BTU/hr (10 kW)	40,000 BTU/hr (11,7 kW)	40,000 BTU/hr (11,7 kW)
Amps			25 A/h		25 A/h
Airflow - High Speed		2,400 SCFM (4,078 m ³ /hr)	400 CFM (190 l/s)	450 SCFM (764.55 m ³ /hr)	450 SCFM (764.55 m ³ /hr)
Airflow - Medium Speed			350 CFM (165 l/s)		
Airflow - Low Speed			300 CFM (140 l/s)		
Pressurization			110 CFM (50 l/s)		
Condenser Motors			(2) Fully sealed		
Condenser Fans			10" (250 mm)		
Evaporator Motor			(2) Fully sealed		
Evaporator Fans			(2) Single inlet		
Motor Protection			Circuit Breakers		
Compressor Power				Hydraulic	
Weight	100 lb (45,4 kg)	40 lb (18,1 kg)	150 lb (68 kg)	400 lb (181,4 kg)	375 lb (170 kg)



Features

- Heavy-duty stainless steel construction
- Precise hydraulic control
- Direct drive compressor
- Compressor mounted to minimize vibration
- Alternative to an engine mounted compressor

Suggested Applications



Recommended Bergstrom Electrified System



FFR6
 page 702



TDR5
 page 728



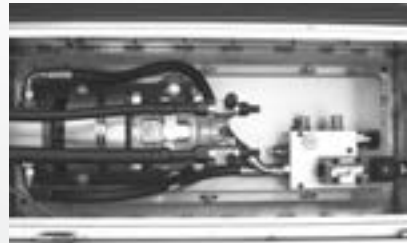
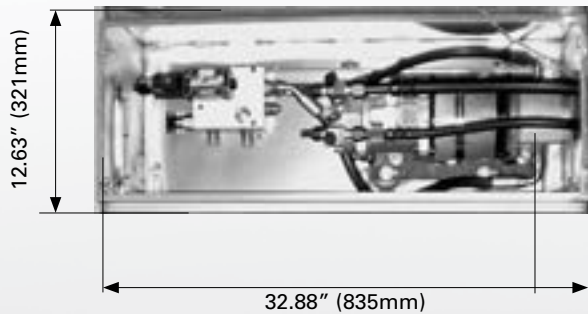
TPR6
 page 730

Technical Specifications

Model	TBV6 12V	TBV6 24V
Voltage	12V	24V
Dimensions (L x W x H)	32.88in x 12.63in x 13.38in (835mm x 321mm x 340mm)	32.88in x 12.63in x 13.38in (835mm x 321mm x 340mm)
Weight	100 lbs. (45,4 kg)	100 lbs. (45,4 kg)
Mounting Position	Rooftop or Deck	Rooftop or Deck

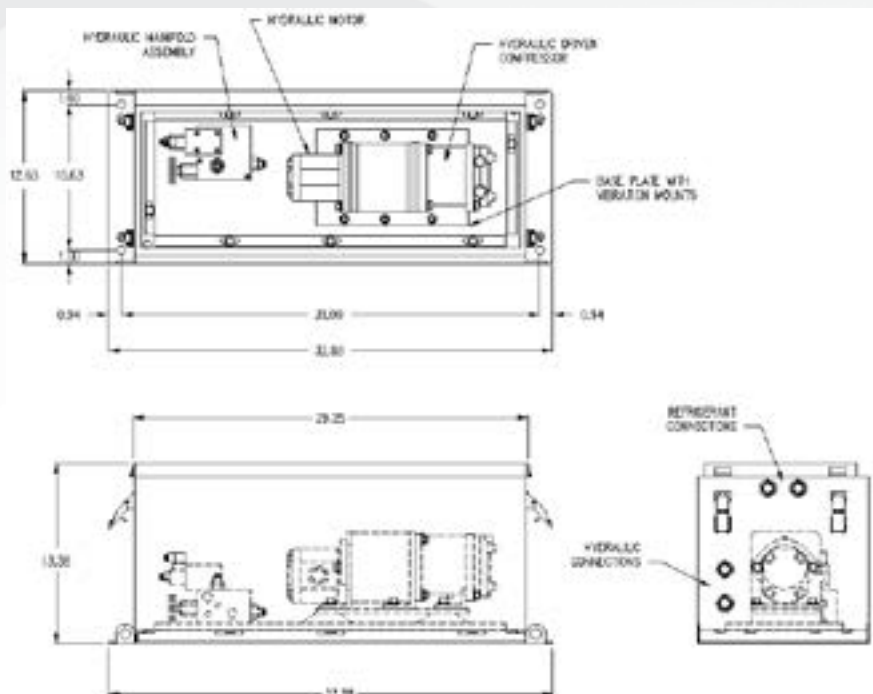
Measurements are listed using the U.S. system with the metric system in parenthesis.

Dimensions layout



Bergstrom Electrified

Line Drawing

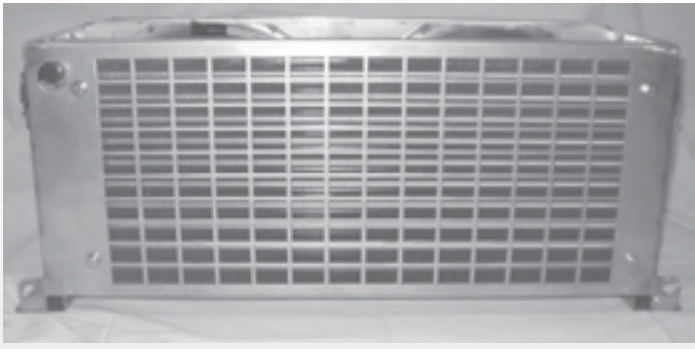


When placing an order please contact your sales representative to review your order to ensure the proper system has been identified for your vehicle application.

Availability of the products shown in this catalog is subject to change without notice by Bergstrom, Inc. For the most current product information please visit the Kysor distributor website at <https://parts.kysorhvac.com/>.

Warranty

- 1-year limited warranty



Features

- Heavy-duty stainless steel construction
- No top openings to reduce dirt contamination
- Large coil to keep head pressures low in high ambient conditions
- Horizontal motors for optimal bearing life
- Can be used with evaporators up to 22,000 BTU/hr

Suggested Applications



Recommended Bergstrom Electrified System



FFR6
page 702



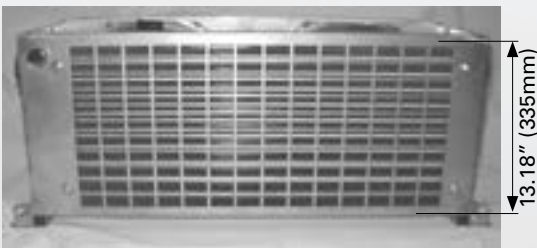
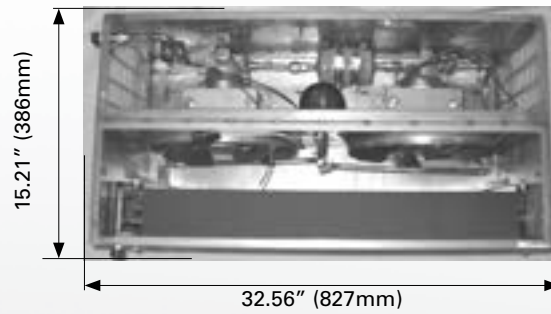
TPR6
page 730

Technical Specifications

Model	TBV6 12V	TBV6 24V
Voltage	12V	24V
Power	For use up to 22,000 BTU/hr (6,4 kW)	For use up to 22,000 BTU/hr (6,4 kW)
Maximum air flow	2,400 SCFM (4,078 m ³ /hr)	2,400 SCFM (4,078 m ³ /hr)
Dimensions (L x W x H)	32.56n x 15.21in x 13.18in (827mm x 386mm x 335mm)	32.88n x 12.63in x 13.38in (835mm x 321mm x 340mm)
Weight	40 lbs. (18,1 kg)	40 lbs. (18,1 kg)
Mounting Position	Rooftop or Deck	Rooftop or Deck

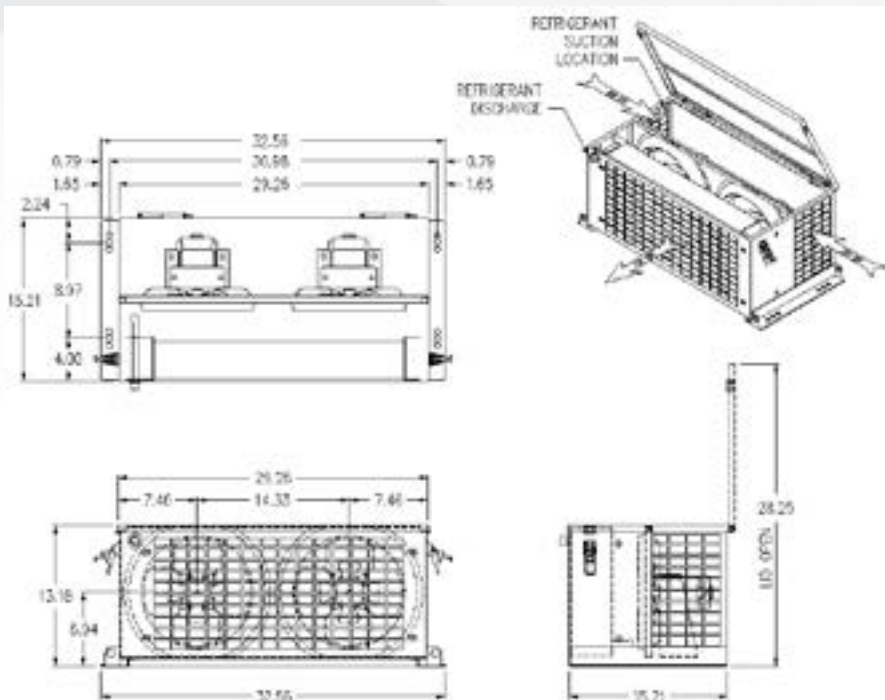
Measurements are listed using the U.S. system with the metric system in parenthesis.

Dimensions layout



Bergstrom Electrified

Line Drawing



When placing an order please contact your sales representative to review your order to ensure the proper system has been identified for your vehicle application.

Availability of the products shown in this catalog is subject to change without notice by Bergstrom, Inc. For the most current product information please visit the Kysor distributor website at <https://parts.kysorhvac.com/>.

Warranty

- 1-year limited warranty



Features

- Heavy gauge stainless steel construction
- Rooftop mount
- Compressor is remote mounted
- Several power options available

Suggested Applications



Technical Specifications

Model	TDR5 24V
Power*	Cold: 18,000 BTU/hr (5,2 kW) Hot: 35,000 BTU/hr (10,0 kW)
Amps	25 AMPS @ 24 V.D.C.
Maximum air flow	High: 400 SCFM (680 m ³ /hr) Medium: 350 SCFM (595 m ³ /hr) Low: 300 SCFM (510 m ³ /hr)
Dimensions (L x W x H)	40.39in x 39.22in x 10.55in (1,026mm x 996mm x 268mm)
Weight	150 lbs. (68,0 kg)
Mounting Position	Rooftop

(*) System cooling capacity is based on system component-calculated capacities in accordance with IMACA 200 standard test conditions: indoor 80°F DB/67°F WB with outdoor 110°F DB/60°F WB. Heating capacity is at rated voltage in accordance with SAEJ638.

Measurements are listed using the U.S. system with the metric system in parenthesis.

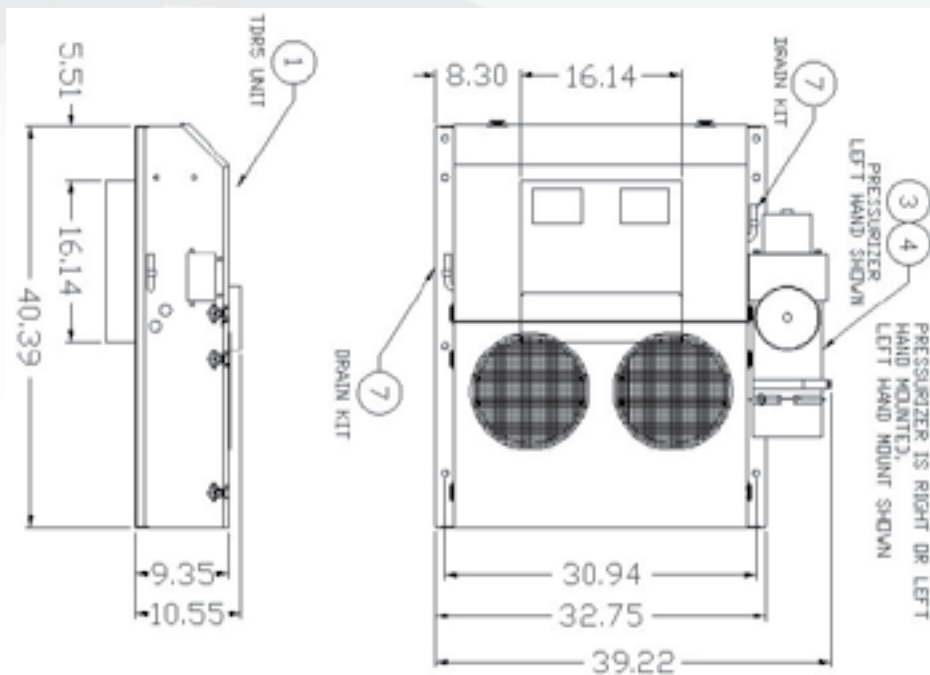
Dimensions layout

Model Specifications:	TDR5
Cooling Capacity	18,000 BTU/hr (5,2 kw)
Heating - Hot Water	35,000 BTU/hr (10,0 kw)
Airflow - High Speed	400 CFM (190 l/s)
Airflow - Medium Speed	350 CFM (165 l/s)
Airflow - Low Speed	300 CFM (140 l/s)
Pressurization	110 CFM (50 l/s)
Condenser Motors	(2) Fully Sealed
Condenser Fans	10" (250mm)
Evaporator Motor	(2) Fully Sealed
Evaporator Fans	(2) Single Inlet
Motor Protection	Circuit Breakers



Bergstrom Electrified

Line Drawing



When placing an order please contact your sales representative to review your order to ensure the proper system has been identified for your vehicle application.

Availability of the products shown in this catalog is subject to change without notice by Bergstrom, Inc. For the most current product information please visit the Kysor distributor website at <https://parts.kysorhvac.com/>.

Warranty

- 1-year limited warranty



Features

- Heavy-gauge stainless steel construction
- Rooftop mount
- Hydraulic-driven compressor, mounted within the unit
- Outside fan-forced filtration and pressurization system
- Fan-forced condenser assembly
- Designed to provide high levels of air filtration
- Offers climate control through refrigeration for cooling and hot water for heating

Suggested Applications



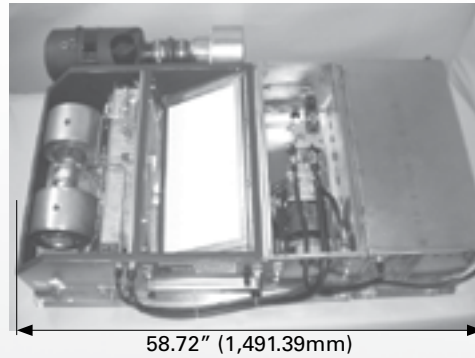
Technical Specifications

Model	TPR6 24V
Power*	Cold: 20,473 BTU/hr (6,0 kW) Hot: 40,000 BTU/hr (11,7 kW)
Maximum air flow	450 SCFM (764.55 m ³ /hr)
Compressor Power	Hydraulic
Dimensions (L x W x H)	58.72in x 40.92in x 13.39in (1491.39mm x 1,039.4mm x 340mm)
Weight	400 lbs. (181,4 kg)
Mounting Position	Rooftop

(*) System cooling capacity is based on system component-calculated capacities in accordance with IMACA 200 standard test conditions: 100°F and 81°F FDB/67°F FWB (38°C and 27/19°C) return air.

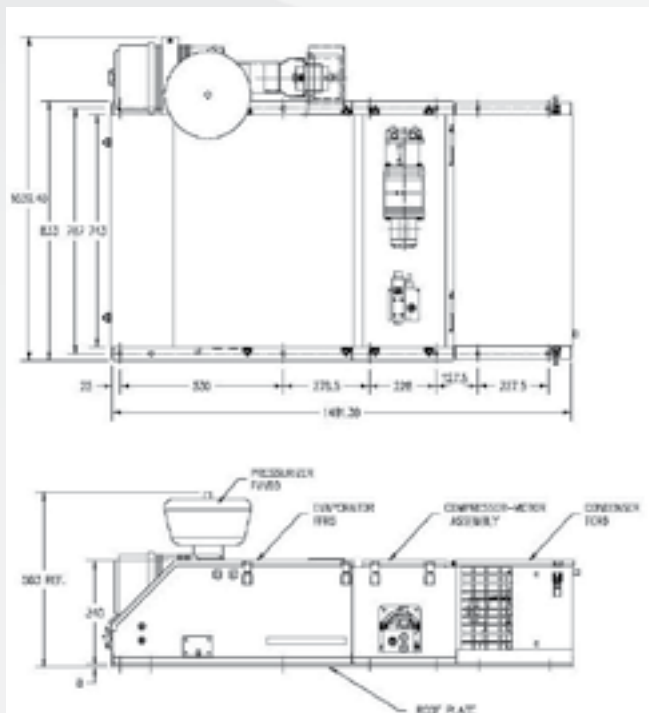
Measurements are listed using the U.S. system with the metric system in parenthesis.

Dimensions layout



Bergstrom Electrified

Line Drawing



When placing an order please contact your sales representative to review your order to ensure the proper system has been identified for your vehicle application.

Availability of the products shown in this catalog is subject to change without notice by Bergstrom, Inc. For the most current product information please visit the Kysor distributor website at <https://parts.kysorhvac.com/>.

Warranty

- 1-year limited warranty



Features

- Heavy gauge stainless steel construction
- Hydraulic driven compressor
- High efficiency, servicable filter to ensure extremely clean air is supplied to the cab
- Electronic temperature control
- Precise hydraulic control

Suggested Applications



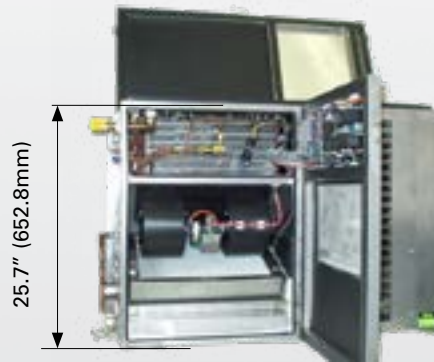
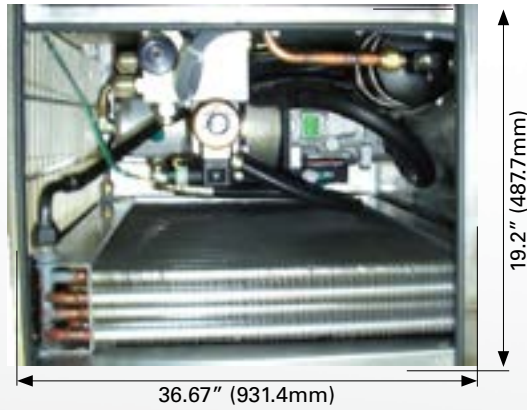
Technical Specifications

Model	TPW5 24V
Power*	Cold: 18,000 BTU/hr (5,3 kW) Hot: 40,000 BTU/hr (11,7 kW)
Amps	25 AMPS @ 24 V.D.C.
Maximum air flow	450 SCFM (765 m ³ /hr)
Dimensions (L x W x H)	36.67in x 19.2in x 25.7in (931.4mm x 487.7mm x 652.8mm)
Weight	375 lbs. (170 kg)
Mounting Position	Deck

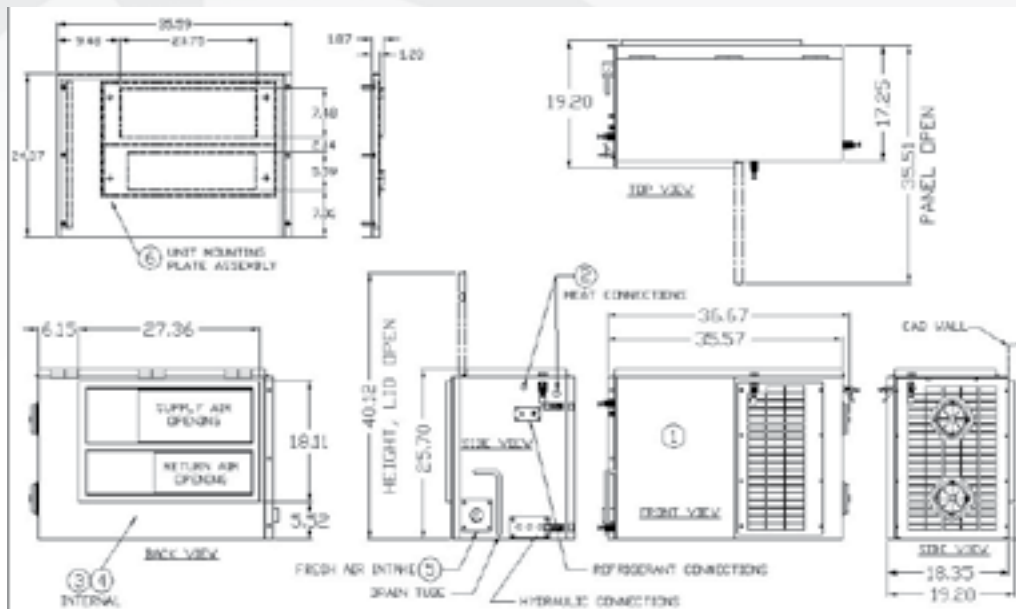
(*) System cooling capacity is based on system component-calculated capacities in accordance with IMACA 200 standard test conditions: 100°F and 81°F FDB/67°F FWB (38°C and 27/19°C) return air.

Measurements are listed using the U.S. system with the metric system in parenthesis.

Dimensions layout



Line Drawing



When placing an order please contact your sales representative to review your order to ensure the proper system has been identified for your vehicle application.

Availability of the products shown in this catalog is subject to change without notice by Bergstrom, Inc. For the most current product information please visit the Kysor distributor website at <https://parts.kysorhvac.com/>.

Warranty

- 1-year limited warranty

School Bus Systems

FRONT BULKHEAD EVAPORATOR
UNIT 736

REAR BULKHEAD EVAPORATOR
UNIT 737

DASH EVAPORATOR UNIT 738

MIDSHIP EVAPORATOR UNIT 739

DUAL FAN CEILING EVAPORATOR
UNIT 740

2-FAN CONDENSER 741

3-FAN CONDENSER 742

HEATER ASSEMBLIES 743



When placing an order please contact your sales representative to review your order to ensure the proper system has been identified for your vehicle application.

All School Bus systems have a 3-year warranty.

Availability of the products shown in this catalog is subject to change without notice by Bergstrom, Inc. For the most current product information please visit the Kysor distributor website at <https://parts.kysorhvac.com/>.



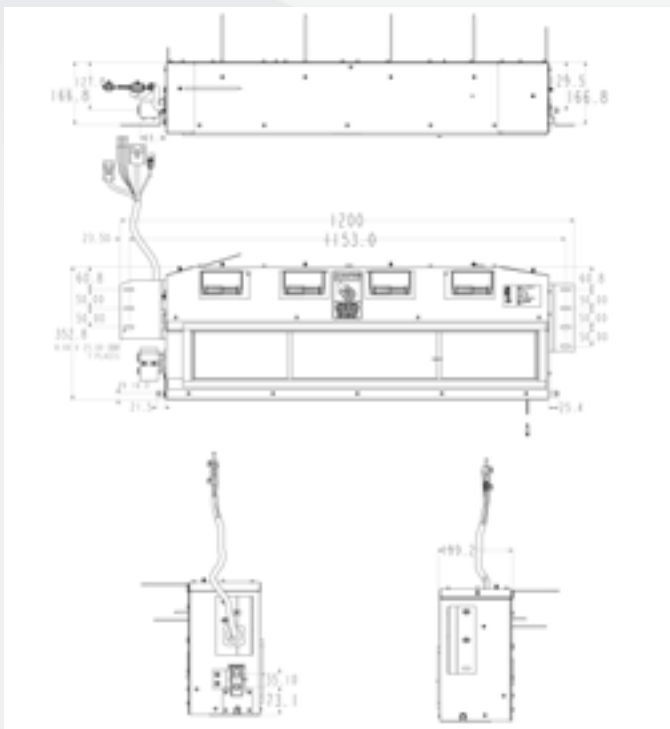
Features

- Adjustable mounting brackets for easier installation
- 2-Ton thermal expansion valve for improved A/C performance
- Galvannealed steel drain pans to prevent rusting and maximize durability
- Durable ABS plastic cover to prevent scratches and fractures
- Fully adjustable louvers to direct air flow and maximize comfort
- Easy serviceable filters
- Fully insulated case to prevent case sweating
- An optional driver airflow duct with fully adjustable louver to maximize driver comfort
- Bergstrom engineered
- Refrigerant line routing and refrigerant charge determined via iterative testing to optimize system performance
- Low pressure switch, high pressure switch, and freeze protection strategically engineered to protect compressor life
- Electronic freeze protection (prevents the coils from freezing out) – FYI, no one really has this functionality. (You don't want your coil to freeze up or else you will lose performance.)

Suggested Applications



Line Drawing



Front Bulkhead Unit Technical Specifications

Model	Front Bulkhead
Voltage	12V
Power	55,000 / 60,000 BTU/hr (16,0 / 17,6 kW)
Amps	25 A/h
Maximum air flow	1,600 CFM (2,718 m ³ /hr)
Dimensions (W x H x D)	47.24 in x 13.89 in x 7.84 in (1200 mm x 352.8 mm x 199.2 mm)
Weight	68 lbs. (30,8 kg)
Mounting Position	In-Wall

*Actual system performance is dependent on installation, configuration and components used.



When placing an order please contact your sales representative to review your order to ensure the proper system has been identified for your vehicle application.

Availability of the products shown in this catalog is subject to change without notice by Bergstrom, Inc. For the most current product information please visit the Kysor distributor website at <https://parts.kysorhvac.com/>.

Warranty

- 3-year limited warranty

**Suggested Compressor: Sanden SD7
Enhanced or SeltecTM-21**



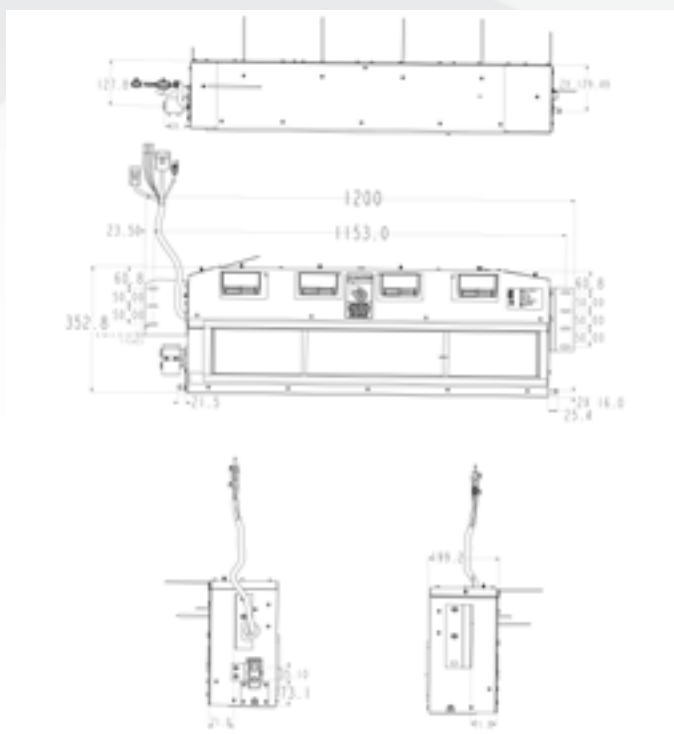
Features

- Adjustable mounting brackets for easier installation
- 2-Ton thermal expansion valve for improved A/C performance
- Galvannealed steel drain pans to prevent rusting and maximize durability
- Durable ABS plastic cover to prevent scratches and fractures.
- Fully adjustable louvers to direct air flow and maximize comfort
- Easy serviceable filters
- Fully insulated case to prevent case sweating
- Bergstrom engineered
- Refrigerant line routing and refrigerant charge determined via iterative testing to optimize system performance
- Low pressure switch, high pressure switch, and freeze protection strategically engineered to protect compressor life
- Electronic freeze protection (prevents the coils from freezing out) – FYI, no one really has this functionality. (You don't want your coil to freeze up or else you will lose performance.)

Suggested Applications



Line Drawing



Rear Bulkhead Unit Technical Specifications

Model	Rear Bulkhead
Voltage	12V
Power	55,000 / 60,000 BTU/hr (16,0 / 17,6 kW)
Amps	25 A/h
Maximum air flow	1,600 CFM (2,718 m ³ /hr)
Dimensions (W x H x D)	47.24 in x 13.9 in x 7.83 in (1200 mm x 353 mm x 199 mm)
Weight	68 lbs. (30,8 kg)
Mounting Position	In-Wall

*Actual system performance is dependent on installation, configuration and components used.

**Suggested Compressor: Sanden SD7
Enhanced or Seltec TM-21**



When placing an order please contact your sales representative to review your order to ensure the proper system has been identified for your vehicle application.

Availability of the products shown in this catalog is subject to change without notice by Bergstrom, Inc. For the most current product information please visit the Kysor distributor website at <https://parts.kysorhvac.com/>.

Warranty

- 3-year limited warranty



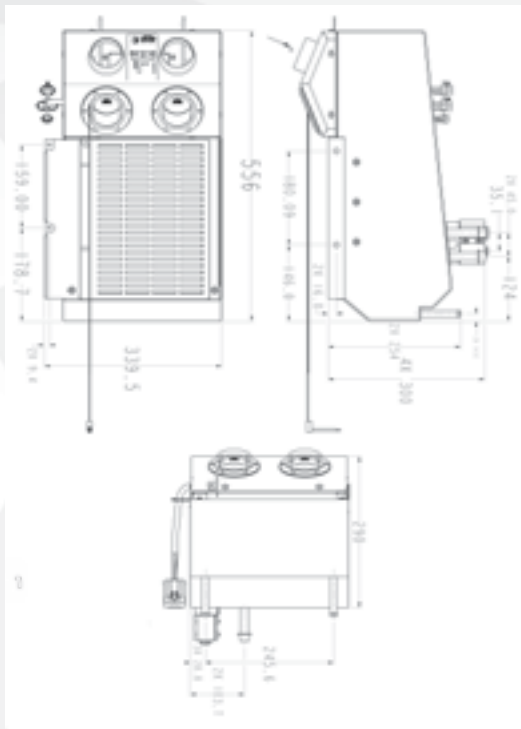
Features

- Adjustable mounting brackets for easier installation
- 2-Ton thermal expansion valve for improved A/C performance
- Galvannealed steel drain pans to prevent rusting and maximize durability
- Durable ABS plastic cover to prevent scratches and fractures
- Fully adjustable louvers to direct air flow and maximize comfort
- Easy serviceable filters
- Fully insulated case to prevent case sweating
- An optional driver airflow duct with fully adjustable louver to maximize driver comfort
- Bergstrom engineered
- Refrigerant line routing and refrigerant charge determined via iterative testing to optimize system performance
- Low pressure switch, high pressure switch, and freeze protection strategically engineered to protect compressor life
- Electronic freeze protection (prevents the coils from freezing out) – FYI, no one really has this functionality. (You don't want your coil to freeze up or else you will lose performance.)

Suggested Applications



Line Drawing



Dash Unit Technical Specifications

Model	Dash
Voltage	12V
Power	26,833 BTU/hr (7,9 kW)
Amps	19.3 A/h
Maximum air flow	323 CFM (549 m ³ /hr)
Dimensions (W x H x D)	13.37 in x 21.89 in x 11.42 in (339.5 mm x 556 mm x 290 mm)
Weight	68 lbs. (30,8 kg)
Mounting Position	Dash

*Actual system performance is dependent on installation, configuration and components used.



When placing an order please contact your sales representative to review your order to ensure the proper system has been identified for your vehicle application.

Availability of the products shown in this catalog is subject to change without notice by Bergstrom, Inc. For the most current product information please visit the Kysor distributor website at <https://parts.kysorhvac.com/>.

Warranty

- 3-year limited warranty

Suggested Compressor: Sanden SD7 Enhanced or Seltec TM-21



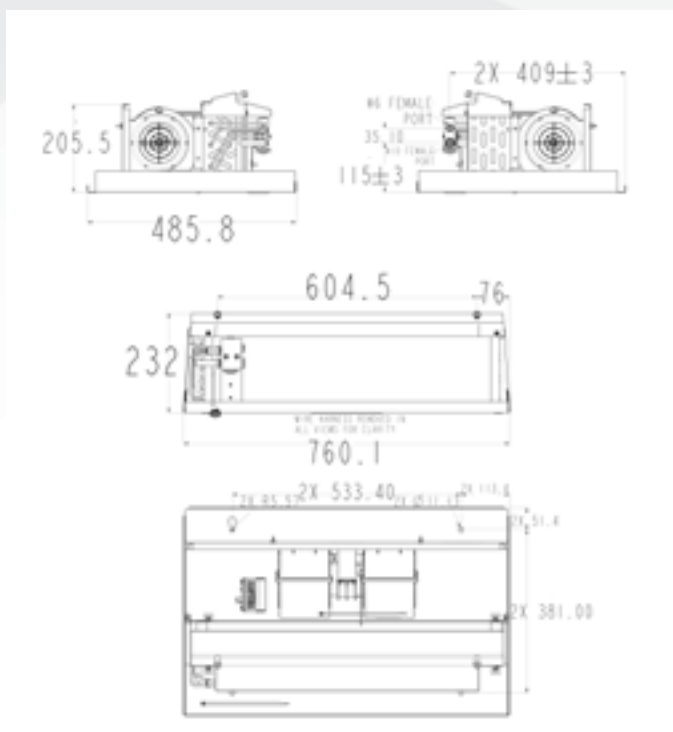
Features

- Adjustable mounting brackets for easier installation
- 2-Ton thermal expansion valve for improved A/C performance
- Galvannealed steel drain pans to prevent rusting and maximize durability
- Durable ABS plastic cover to prevent scratches and fractures.
- Fully adjustable louvers to direct air flow and maximize comfort
- Easy serviceable filters
- Fully insulated case to prevent case sweating
- Bergstrom engineered
- Refrigerant line routing and refrigerant charge determined via iterative testing to optimize system performance
- Low pressure switch, high pressure switch, and freeze protection strategically engineered to protect compressor life
- Electronic freeze protection (prevents the coils from freezing out) – FYI, no one really has this functionality. (You don't want your coil to freeze up or else you will lose performance.)

Suggested Applications



Line Drawing



Midship Unit Technical Specifications

Model	Midship
Voltage	12V
Power	35,000 BTU/hr (10,3 kW)
Amps	15 A/h
Maximum air flow	800 CFM (1,359 m³/hr)
Dimensions (W x H x D)	29.93 in x 9.13 in x 19.13 in (760.1 mm x 232 mm x 485.8 mm)
Weight	30 lbs. (13.6 kg)
Mounting Position	Headliner

*Actual system performance is dependent on installation, configuration and components used.

Suggested Compressor: Sanden SD7 Enhanced or Seltec TM-21



When placing an order please contact your sales representative to review your order to ensure the proper system has been identified for your vehicle application.

Availability of the products shown in this catalog is subject to change without notice by Bergstrom, Inc. For the most current product information please visit the Kysor distributor website at <https://parts.kysorhvac.com/>.

Warranty

- 3-year limited warranty



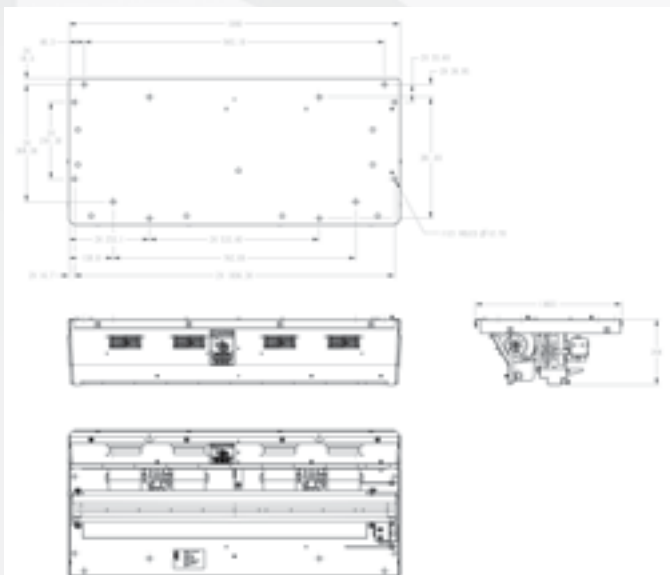
Features

- Adjustable mounting brackets for easier installation
- 2-Ton thermal expansion valve for improved A/C performance
- Galvannealed steel drain pans to prevent rusting and maximize durability
- Durable ABS plastic cover to prevent scratches and fractures
- Fully adjustable louvers to direct air flow and maximize comfort
- Easy serviceable filters
- Fully insulated case to prevent case sweating
- An optional driver airflow duct with fully adjustable louver to maximize driver comfort
- Bergstrom engineered
- Refrigerant line routing and refrigerant charge determined via iterative testing to optimize system performance
- Low pressure switch, high pressure switch, and freeze protection strategically engineered to protect compressor life
- Electronic freeze protection (prevents the coils from freezing out) – FYI, no one really has this functionality. (You don't want your coil to freeze up or else you will lose performance.)

Suggested Applications



Line Drawing



Dash Unit Technical Specifications

Model	Dash
Voltage	12V
Power	60,000 BTU/hr (17,6 kW)
Amps	15 A/h
Maximum air flow	800 CFM (1,359 m ³ /hr)
Dimensions (W x H x D)	30.55 in. x 14.57 in. x 26.18 in. 776 mm x 370 mm x 665 mm
Weight	30 lbs. (13,6 kg)
Mounting Position	Headliner

*Actual system performance is dependent on installation, configuration and components used.



When placing an order please contact your sales representative to review your order to ensure the proper system has been identified for your vehicle application.

Availability of the products shown in this catalog is subject to change without notice by Bergstrom, Inc. For the most current product information please visit the Kysor distributor website at <https://parts.kysorhvac.com/>.

Warranty

- 3-year limited warranty

Suggested Compressor: Sanden SD7 Enhanced or SeltecTM-21



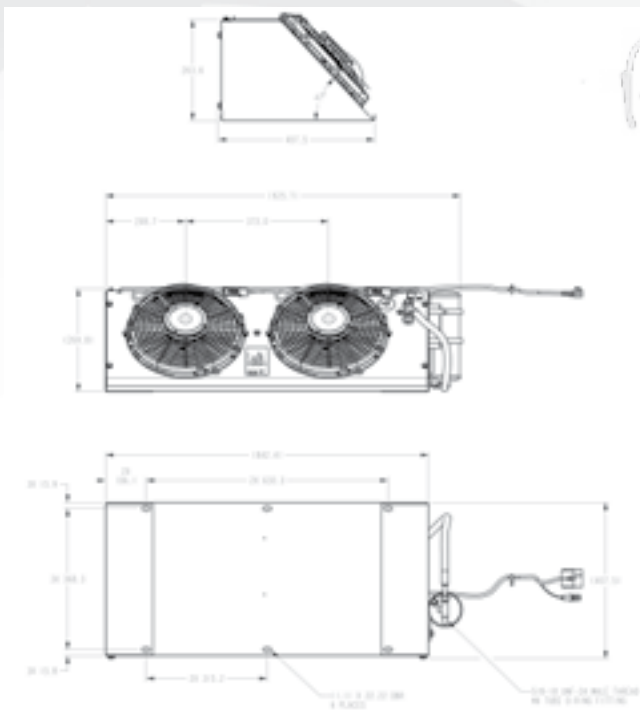
Suggested Applications



Features

- Adjustable mounting brackets for easier installation
- 2-Ton thermal expansion valve for improved A/C performance
- Galvanized steel drain pans to prevent rusting and maximize durability
- Durable ABS plastic cover to prevent scratches and fractures
- Fully adjustable louvers to direct air flow and maximize comfort
- Easy serviceable filters
- Fully insulated case to prevent case sweating
- An optional driver airflow duct with fully adjustable louver to maximize driver comfort
- Bergstrom engineered
- Refrigerant line routing and refrigerant charge determined via iterative testing to optimize system performance
- Low pressure switch, high pressure switch, and freeze protection strategically engineered to protect compressor life
- Electronic freeze protection (prevents the coils from freezing out) – FYI, no one really has this functionality. (You don't want your coil to freeze up or else you will lose performance.)

Line Drawing



2-Fan Condenser Unit Technical Specifications

Model	2-Fan Condenser
Voltage	12V
Power	51,000 BTU/hr (14.9 kW)
Amps	18 A/h
Maximum air flow	1,050 CFM (1,783.9 m3/hr)
Dimensions (W x H x D)	40.94 in x 8.11 in x 18.11 in (1040 mm x 206 mm x 460 mm)
Weight	50 lbs. (21.8 kg)
Mounting Position	Skirt Mount

*Actual system performance is dependent on installation, configuration and components used.

Suggested Compressor: Sanden SD7 Enhanced or Seltec TM-21



When placing an order please contact your sales representative to review your order to ensure the proper system has been identified for your vehicle application.

Availability of the products shown in this catalog is subject to change without notice by Bergstrom, Inc. For the most current product information please visit the Kysor distributor website at <https://parts.kysorhvac.com/>.

Warranty

- 3-year limited warranty



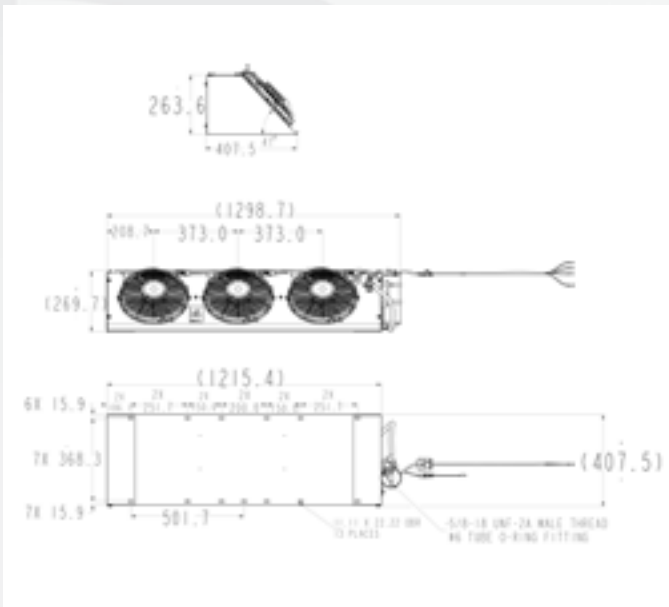
Features

- Adjustable mounting brackets for easier installation
- 2-Ton thermal expansion valve for improved A/C performance
- Galvannealed steel drain pans to prevent rusting and maximize durability
- Durable ABS plastic cover to prevent scratches and fractures.
- Fully adjustable louvers to direct air flow and maximize comfort
- Easy serviceable filters
- Fully insulated case to prevent case sweating
- Bergstrom engineered
- Refrigerant line routing and refrigerant charge determined via iterative testing to optimize system performance
- Low pressure switch, high pressure switch, and freeze protection strategically engineered to protect compressor life
- Electronic freeze protection (prevents the coils from freezing out) – FYI, no one really has this functionality. (You don't want your coil to freeze up or else you will lose performance.)

Suggested Applications



Line Drawing



3-Fan Condenser Unit Technical Specifications

Model	3-Fan Condenser
Voltage	12V
Power	76,000 BTU/hr (22,3 kW)
Amps	26.0 A/h
Maximum air flow	1,570 CFM (2,667m ³ /hr)
Dimensions (W x H x D)	51.13 in x 10.62 in x 16.04 in (1298.7 mm x 269.7 mm x 407.5 mm)
Weight	67 lbs. (30.4 kg)
Mounting Position	Skirt Mount

*Actual system performance is dependent on installation, configuration and components used.



When placing an order please contact your sales representative to review your order to ensure the proper system has been identified for your vehicle application.

Availability of the products shown in this catalog is subject to change without notice by Bergstrom, Inc. For the most current product information please visit the Kysor distributor website at <https://parts.kysorhvac.com/>.

Warranty

- 3-year limited warranty

Suggested Compressor: Sanden SD7 Enhanced or SeltecTM-21

Part No: 3314001



Combo-Bunk-12V-Temp-K142-537-1

Part No: 3399003



Assembly, 50 K Heater

Part No: 3399006



Heater, Double Floor Mount

Blue Bird Cross Reference No: 10013875

Part No: 3399007



Heater, Fm Underseat Single

Blue Bird Cross Reference No: 10013876

Part No: 3399008



Heater, Underseat Double Fan

Blue Bird Cross Reference No: 10013872

Part No: 3399009



Heater, Underseat Double Fan

Thomas Built Bus Cross Reference No: 182523

Part No: 3399018



Heater, Seat Mount Lh Single

Blue Bird Cross Reference No: 10013874

Part No: 3399022



Rear Wall Mount Heater

Blue Bird Cross Reference No: 00026361

Part No: 3399023



Heater, Wheel Chair 660-0100

Part No: 3399024



Heater, Wheel Chair 6600-0100

Thomas Built Bus Cross Reference No: 179971

Part No: 3399026



Heater Assembly, 80K Wallmount

IC Corp Cross Reference No: 448253001

Part No: 3399030



Heater-Stepwell 6600-1601

Thomas Built Bus Cross Reference No: 6600-1601



Part No: 3399032



Air Plenm/Blwr Pkg, 12V

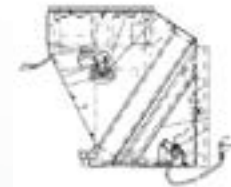
Part No: 3399033



Heater, Wheel Chair

Thomas Built Bus Cross Reference No: 177926

Part No: 3399034



Heater Assembly, Re

Blue Bird Cross Reference No: 10024643

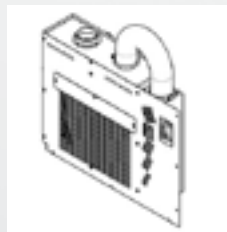
Part No: 3399035



Heater Assembly, Re

IC Corp Cross Reference No: 2229059C1

Part No: 3399036



Heater Assembly - 50K

IC Corp Cross Reference No: 3864119C1

Part No: 3399037



Heater Assembly, Re

IC Corp Cross Reference No: 3864183C1

Part No: 3399039



Heater Assembly, Ef

Thomas Built Bus Cross Reference No: 158457

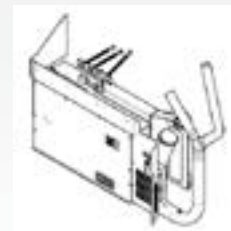
Part No: 3399040



Heater Assembly - Hdx

Thomas Built Bus Cross Reference No: 176309

Part No: 3399047



Combo Assembly, Bluebird

Blue Bird Cross Reference No: 10006652

Part No: 3399048



Heater Assembly, Bluebird

Blue Bird Cross Reference No: 10006651

Part No: 3399049



Heater, Seat Mount Rh Double

Blue Bird Cross Reference No: 100013871

Part No: 3399050



Heater, Seat Mount Rh Single

Blue Bird Cross Reference No: 10013873

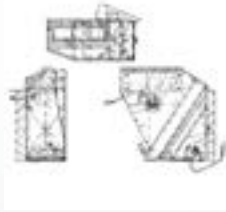
Part No: 3399054



Heater Foot Warmer

Thomas Built Bus Cross Reference No: 6600-0894

Part No: 3399055



Assembly, Heater Fe

Blue Bird Cross Reference No: 10024645

Part No: 3399056



Heater, Wheelchair

IC Corp Cross Reference No: 3991274C1

Part No: 3399057



Heater Assembly

Thomas Built Bus Cross Reference No: 182473

Part No: 3399058



Heater Assembly

Thomas Built Bus Cross Reference No: 182482

Part No: 3399059



Heater Assembly

Thomas Built Bus Cross Reference No: 182520

Part No: 3399060



Heater Assembly

Thomas Built Bus Cross Reference No: 182524

Part No: 3399061



Heater Assembly

Thomas Built Bus Cross Reference No: 182783

Part No: 3399063



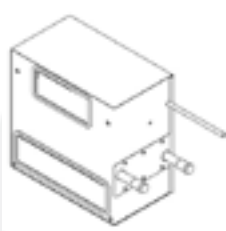
Heater Assembly - Underseat

Part No: 3399064



Heater Assembly - Underseat (Double)

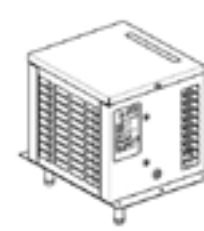
Part No: 3399068



Assembly, Thomas Stepwell

Thomas Built Bus Cross Reference No: 104947

Part No: 3399076



Heater Foot Warmer Aftermarket

Thomas Built Bus Cross Reference No: 6600-0894

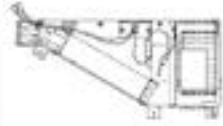


Part No: 3399082



Heater, Wheel Chair

Part No: 3399084



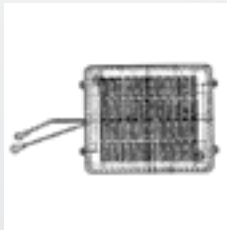
Heater Package, Amtran 14,000BTU/hr Auxillary
IC Corp Cross Reference No: 431736001

Part No: 3399086



Kit, Heater (Lf) (Service)

Part No: 3399087



Heater, 12V At140290/719377

Part No: 3399090



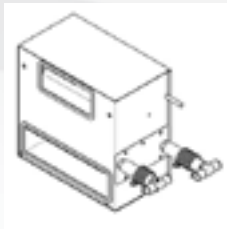
Heater, Bus Driver Re

Part No: 3399091



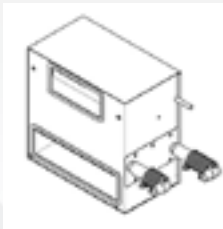
Heater, Underseat Double Fan
Thomas Built Bus Cross Reference No: 182519

Part No: 3399092



Heater Assembly-Stepwell

Part No: 3399093



Heater Assembly - Stepwell,

Part No: BSP00021HEAT12



Heater Driver Assembly
Blue Bird Cross Reference No: 01654482

Solar Energy Systems

12 CELL SOLAR PANEL	748
24 CELL SOLAR PANEL	749
36 CELL SOLAR PANEL	750
48 CELL SOLAR PANEL	752
72 CELL SOLAR PANEL	753
96 CELL SOLAR PANEL	757
SOLAR ENERGY SYSTEM SERVICE PARTS	759



When placing an order please contact your sales representative to review your order to ensure the proper system has been identified for your vehicle application.

All Solar systems have a 5-year warranty.

Availability of the products shown in this catalog is subject to change without notice by Bergstrom, Inc. For the most current product information please visit the Kysor distributor website at <https://parts.kysorhvac.com/>.



NAME

12 CELL SOLAR PANEL

DESCRIPTION

Solar Energy Systems



12 Cell Technical Specifications

Part No:	4499179
Description	50W 3 x 4 Cell Panel Solar Module Kit
Voltage	12V
Dimensions (L x W x T)	26 21/64 in x 23 7/64 in x 45/64 in (669 mm x 587 mm x 17.8 mm)
Notes	12 cell (3 x 4), 50 watt

1-week lead time

Features

- 12 series connected, high efficiency, Merlin solar cells optimize panel performance
- Merlin technology yields higher energy & increased durability
- Low weight, non-penetrating mounting solutions take advantage of the lightweight module characteristics
- Superior low-sun angle and low light performance provide excellent energy yield
- Bypass diodes allow for maximum performance under shade conditions
- Weather resistant package, sealed junction box and protective back sheet provide a long life, reliable and durable package
- Modules are built and tested to UL standard 1703, IEC 61215 & IEC61730

Suggested Applications





24 Cell Technical Specifications

Part No:	4499173
Description	50W 24 Half-Cell Panel Solar Module with 12VDC Genasun GV-B8 Controller Kit
Voltage	12V
Dimensions (L x W x T)	26 57/64 in x 23 41/64 in x 45/64 in (683 mm x 598.5 mm x 17.8 mm)
Notes	24 half-cell (3 x 4), 50 watt

1-week lead time



Part No:	4499177
Description	110W 2 x 12 Cell Panel Solar Module Kit, 12V
Voltage	12V
Dimensions (L x W x T)	79 39/64 in x 14 39/64 in x 45/64 in (2030 mm x 373 mm x 17.8 mm)
Notes	24 cell (2 x 12), 110 watt

1-week lead time

Features

- 24 series connected, high efficiency, Merlin solar cells optimize panel performance
- Merlin technology yields higher energy & increased durability
- Low weight, non-penetrating mounting solutions take advantage of the lightweight module characteristics
- Superior low-sun angle and low light performance provide excellent energy yield
- Bypass diodes allow for maximum performance under shade conditions
- Weather resistant package, sealed junction box and protective back sheet provide a long life, reliable and durable package
- Modules are built and tested to UL standard 1703, IEC 61215 & IEC61730

Suggested Applications



When placing an order please contact your sales representative to review your order to ensure the proper system has been identified for your vehicle application.

Availability of the products shown in this catalog is subject to change without notice by Bergstrom, Inc. For the most current product information please visit the Kysor distributor website at <https://parts.kysorhvac.com/>.

Warranty

• 5-year limited warranty



NAME

36 CELL SOLAR PANEL

DESCRIPTION

Solar Energy Systems



36 Cell Technical Specifications

Part No:	4499155
Description	165W 2 x 18 Cell Panel Solar Module with 12VDC SC30 Charge Controller
Voltage	12V
Dimensions (L x W x T)	117 27/64 in x 14 43/64 in x 45/64 in (669 mm x 587 mm x 17.8 mm)
Notes	36 cell (2 x 18), 165 watt

1-week lead time

Part No:	4499167
Description	165W 2 x 18 Cell Panel Solar Module Only with 18VDC for 12VDC System
Voltage	18V
Dimensions (L x W x T)	117 27/64 in x 14 43/64 in x 45/64 in (669 mm x 587 mm x 17.8 mm)
Notes	36 cell (2 x 18), 165 watt

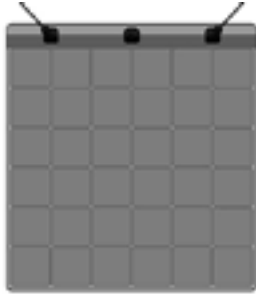
1-week lead time

Features

- 36 series connected, high efficiency, Merlin solar cells optimize panel performance
- Merlin technology yields higher energy & increased durability
- Low weight, non-penetrating mounting solutions take advantage of the lightweight module characteristics
- Superior low-sun angle and low light performance provide excellent energy yield
- Bypass diodes allow for maximum performance under shade conditions
- Weather resistant package, sealed junction box and protective back sheet provide a long life, reliable and durable package
- Modules are built and tested to UL standard 1703, IEC 61215 & IEC61730

Suggested Applications

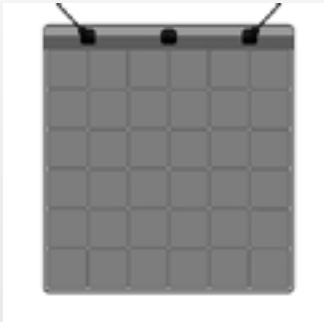




36 Cell Technical Specifications

Part No:	4499182
Description	165W 6 x 6 Cell Panel Solar Module with 12VDC SC30 Charge Controller
Voltage	12V
Dimensions (L x W x T)	42 3/64 in x 38 55/64 in x 45/64 in (1068 mm x 987 mm x 17.8 mm)
Notes	6 cell (6 x 6), 165 watt

1-week lead time



Part No:	4499183
Description	165W 6 x 6 Cell Panel Solar Module Kit
Voltage	12V
Dimensions (L x W x T)	42 3/64 in x 38 55/64 in x 45/64 in (1068 mm x 987 mm x 17.8 mm)
Notes	6 cell (6 x 6), 165 watt

1-week lead time

Features

- 36 series connected, high efficiency, Merlin solar cells optimize panel performance
- Merlin technology yields higher energy & increased durability
- Low weight, non-penetrating mounting solutions take advantage of the lightweight module characteristics
- Superior low-sun angle and low light performance provide excellent energy yield
- Bypass diodes allow for maximum performance under shade conditions
- Weather resistant package, sealed junction box and protective back sheet provide a long life, reliable and durable package
- Modules are built and tested to UL standard 1703, IEC 61215 & IEC61730

Suggested Applications



When placing an order please contact your sales representative to review your order to ensure the proper system has been identified for your vehicle application.

Availability of the products shown in this catalog is subject to change without notice by Bergstrom, Inc. For the most current product information please visit the Kysor distributor website at <https://parts.kysorhvac.com/>.

Warranty

- 5-year limited warranty

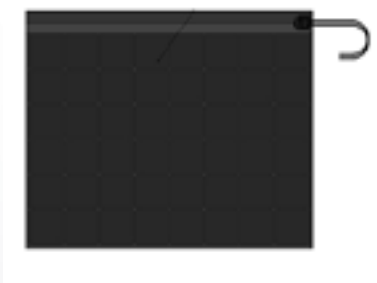


NAME

48 CELL SOLAR PANEL

DESCRIPTION

Solar Energy Systems



48 Cell Technical Specifications

Part No:	4499174
Description	220W 8 x 6 Cell Panel Solar Module Kit with 2512ix Charge Controller
Voltage	12V
Dimensions (L x W x T)	42 3/64 in x 51 27/64 in x 45/64 in (683 mm x 598.5 mm x 17.8 mm)
Notes	48 cell (8 x 6), 220 watt

1-week lead time

Part No:	4499184
Description	220W 8 x 6 Cell Panel Solar Module Kit
Voltage	12V
Dimensions (L x W x T)	42 3/64 in x 51 27/64 in x 45/64 in (683 mm x 598.5 mm x 17.8 mm)
Notes	48 cell (8 x 6), 220 watt

1-week lead time

Features

- 48 series connected, high efficiency, Merlin solar cells optimize panel performance
- Merlin technology yields higher energy & increased durability
- Low weight, non-penetrating mounting solutions take advantage of the lightweight module characteristics
- Superior low-sun angle and low light performance provide excellent energy yield
- Bypass diodes allow for maximum performance under shade conditions
- Weather resistant package, sealed junction box and protective back sheet provide a long life, reliable and durable package
- Modules are built and tested to UL standard 1703, IEC 61215 & IEC61730

Suggested Applications





NAME

72 CELL SOLAR PANEL

DESCRIPTION

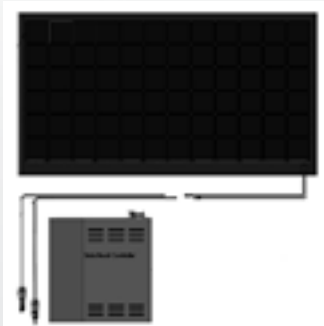
Solar Energy Systems



72 Cell Technical Specifications

Part No:	4499154
Description	330W 6 x 12 Cell Panel Solar Module with 12VDC SC30 Charge Controller
Voltage	12V
Dimensions (L x W x T)	78 27/64 in x 43 11/16 in x 45/64 in (669 mm x 587 mm x 17.8 mm)
Notes	72 cell (6 x 12), 330 watt

1-week lead time



Part No:	4499156
Description	330W 6 x 12 Cell Panel Solar Module with 24VDC 3024i Charge Controller
Voltage	24V
Dimensions (L x W x T)	78 27/64 in x 43 11/16 in x 45/64 in (669 mm x 587 mm x 17.8 mm)
Notes	72 cell (6 x 12), 330 watt

1-week lead time

Features

- 72 series connected, high efficiency, Merlin solar cells optimize panel performance
- Merlin technology yields higher energy & increased durability
- Low weight, non-penetrating mounting solutions take advantage of the lightweight module characteristics
- Superior low-sun angle and low light performance provide excellent energy yield
- Bypass diodes allow for maximum performance under shade conditions
- Weather resistant package, sealed junction box and protective back sheet provide a long life, reliable and durable package
- Modules are built and tested to UL standard 1703, IEC 61215 & IEC61730

Suggested Applications



When placing an order please contact your sales representative to review your order to ensure the proper system has been identified for your vehicle application.

Availability of the products shown in this catalog is subject to change without notice by Bergstrom, Inc. For the most current product information please visit the Kysor distributor website at <https://parts.kysorhvac.com/>.

Warranty

- 5-year limited warranty

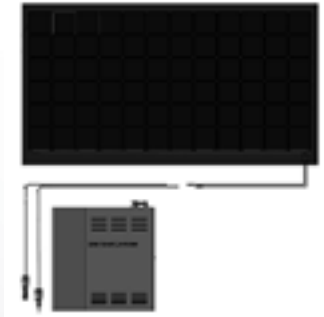


NAME

72 CELL SOLAR PANEL

DESCRIPTION

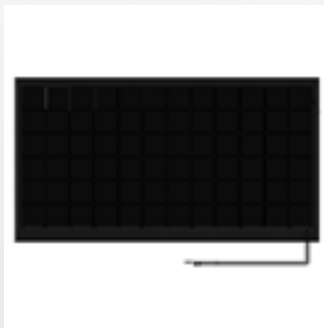
Solar Energy Systems



72 Cell Technical Specifications

Part No:	4499157
Description	330W 6 x 12 Cell Panel Solar Module with 12VDC 3024i Charge Controller
Voltage	12V
Dimensions (L x W x T)	78 27/64 in x 43 11/16 in x 45/64 in (669 mm x 587 mm x 17.8 mm)
Notes	72 cell (6 x 12), 330 watt

1-week lead time



Part No:	4499159
Description	330W 6 x 12 Cell Panel Solar Module Only with 18VDC for 12VDC System
Voltage	18V
Dimensions (L x W x T)	78 27/64 in x 43 11/16 in x 45/64 in (669 mm x 587 mm x 17.8 mm)
Notes	72 cell (6 x 12), 330 watt

1-week lead time

Features

- 72 series connected, high efficiency, Merlin solar cells optimize panel performance
- Merlin technology yields higher energy & increased durability
- Low weight, non-penetrating mounting solutions take advantage of the lightweight module characteristics
- Superior low-sun angle and low light performance provide excellent energy yield
- Bypass diodes allow for maximum performance under shade conditions
- Weather resistant package, sealed junction box and protective back sheet provide a long life, reliable and durable package
- Modules are built and tested to UL standard 1703, IEC 61215 & IEC61730

Suggested Applications



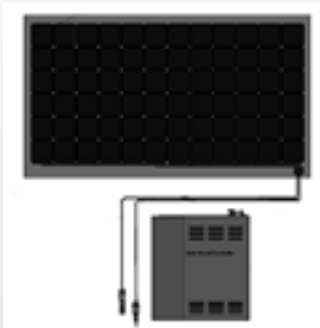
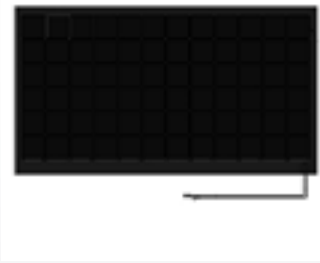


NAME

72 CELL SOLAR PANEL

DESCRIPTION

Solar Energy Systems



72 Cell Technical Specifications

Part No:	4499169
Description	330W 6 x 12 Cell Panel Solar Module Only with 36VDC for 24VDC System
Voltage	12V
Dimensions (L x W x T)	78 27/64 in x 43 11/16 in x 45/64 in (669 mm x 587 mm x 17.8 mm)
Notes	72 cell (6 x 12), 330 watt

1-week lead time

Part No:	4499171
Description	330W 6 x 12 Cell Panel White Solar Module with 24VDC 3024i Charge Controller
Voltage	24V
Dimensions (L x W x T)	78 27/64 in x 43 11/16 in x 45/64 in (669 mm x 587 mm x 17.8 mm)
Notes	72 cell (6 x 12), 330 watt

1-week lead time

Features

- 72 series connected, high efficiency, Merlin solar cells optimize panel performance
- Merlin technology yields higher energy & increased durability
- Low weight, non-penetrating mounting solutions take advantage of the lightweight module characteristics
- Superior low-sun angle and low light performance provide excellent energy yield
- Bypass diodes allow for maximum performance under shade conditions
- Weather resistant package, sealed junction box and protective back sheet provide a long life, reliable and durable package
- Modules are built and tested to UL standard 1703, IEC 61215 & IEC61730

Suggested Applications



When placing an order please contact your sales representative to review your order to ensure the proper system has been identified for your vehicle application.

Availability of the products shown in this catalog is subject to change without notice by Bergstrom, Inc. For the most current product information please visit the Kysor distributor website at <https://parts.kysorhvac.com/>.

Warranty

- 5-year limited warranty

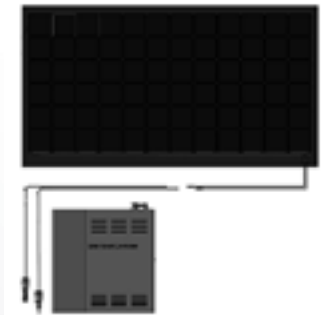


NAME

72 CELL SOLAR PANEL

DESCRIPTION

Solar Energy Systems



72 Cell Technical Specifications

Part No:	4499178
Description	330W 6 x 12 Cell Panel White Solar Module Kit
Voltage	12V
Dimensions (L x W x T)	78 27/64 in x 43 11/16 in x 45/64 in (669 mm x 587 mm x 17.8 mm)
Notes	72 cell (6 x 12), 330 watt

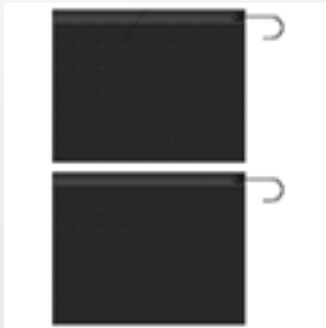
1-week lead time

Features

- 72 series connected, high efficiency, Merlin solar cells optimize panel performance
- Merlin technology yields higher energy & increased durability
- Low weight, non-penetrating mounting solutions take advantage of the lightweight module characteristics
- Superior low-sun angle and low light performance provide excellent energy yield
- Bypass diodes allow for maximum performance under shade conditions
- Weather resistant package, sealed junction box and protective back sheet provide a long life, reliable and durable package
- Modules are built and tested to UL standard 1703, IEC 61215 & IEC61730

Suggested Applications





96 Cell Technical Specifications

Part No:	4499172
Description	440W (4 x 110W 2 x 12 Cell Panels) White Solar Module with 12VDC 3024i Charge Controller
Voltage	12V
Dimensions (L x W x T)	78 27/64 in x 14 43/64 in x 45/64 in (669 mm x 372.6 mm x 17.8 mm)
Notes	24 cell (2 x 12) per panel, 4 x 110 watt

1-week lead time

Part No:	4499175
Description	440W (2 x 220W 8 x 6 Cell Panels) Solar Module Kit with 3024i Charge Controller
Voltage	2V
Dimensions (L x W x T)	56 1/16 in x 38 55/64 in x 45/64 in (1424 mm x 987 mm x 17.8 mm)
Notes	48 cell (8 x 6) per panel, 2 x 220 watt

1-week lead time

Solar Energy Systems

Features

- 72 series connected, high efficiency, Merlin solar cells optimize panel performance
- Merlin technology yields higher energy & increased durability
- Low weight, non-penetrating mounting solutions take advantage of the lightweight module characteristics
- Superior low-sun angle and low light performance provide excellent energy yield
- Bypass diodes allow for maximum performance under shade conditions
- Weather resistant package, sealed junction box and protective back sheet provide a long life, reliable and durable package
- Modules are built and tested to UL standard 1703, IEC 61215 & IEC61730

Suggested Applications



When placing an order please contact your sales representative to review your order to ensure the proper system has been identified for your vehicle application.

Availability of the products shown in this catalog is subject to change without notice by Bergstrom, Inc. For the most current product information please visit the Kysor distributor website at <https://parts.kysorhvac.com/>.

Warranty

- 5-year limited warranty

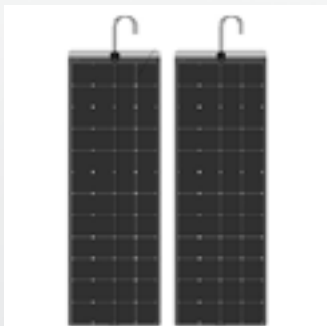
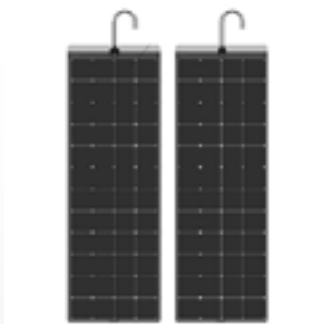


NAME

96 CELL SOLAR PANEL

DESCRIPTION

Solar Energy Systems



96 Cell Technical Specifications

Part No:	4499176
Description	440W (2 x 220W 4 x 12 Cell Panels) Solar Module Kit with 3024i Charge Controller
Voltage	12V
Dimensions (L x W x T)	79 39/64 in x 14 39/64 in x 45/64 in (2030 mm x 373 mm x 17.8 mm)
Notes	48 cell (4 x 12) per panel, 2 x 220 watt

1-week lead time

Part No:	4499180
Description	440W (2 x 220W 4 x 12 Cell Panels) White Solar Module Kit
Voltage	12V
Dimensions (L x W x T)	79 39/64 in x 14 39/64 in x 45/64 in (2030 mm x 373 mm x 17.8 mm)
Notes	48 cell (4 x 12) per panel, 2 x 220 watt

1-week lead time

Features

- 96 series connected, high efficiency, Merlin solar cells optimize panel performance
- Merlin technology yields higher energy & increased durability
- Low weight, non-penetrating mounting solutions take advantage of the lightweight module characteristics
- Superior low-sun angle and low light performance provide excellent energy yield
- Bypass diodes allow for maximum performance under shade conditions
- Weather resistant package, sealed junction box and protective back sheet provide a long life, reliable and durable package
- Modules are built and tested to UL standard 1703, IEC 61215 & IEC61730

Suggested Applications





Part No: 4099211



General Specifications: Solar Y Adapter Harness

Part No: 4099212



General Specifications: Solar Y Adapter Harness

Length: 24 ft.

Part No: 4499162



General Specifications: Circuit Breaker

Length: 2 57/64" (73.4mm)

Width: 1 29/32" (48.42mm)

Height: 1 7/16" (36.6mm)

Amps: 30 A/h

Temperature Range: -25°F - 180°F (-32°C - 82°C)

Part No: 4499163



General Specifications: Male Solar Connector

Voltage: 1100V

Amps: 27 A/h - 40 A/h

Temperature Range: -40°F - 185°F (-40°C - 85°C)

Part No: 4499164

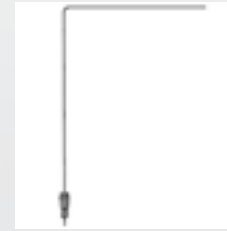


General Specifications: Female Solar Connector

Voltage: 1100V

Temperature Range: -40°F - 185°F (-40°C - 85°C)

Part No: 4499165



General Specifications: 20 ft 10 AWG XLPE PV positive wire

Notes:

Part No: 4499166



General Specifications: 20 ft 10 AWG XLPE PV negative wire

Solar Energy Systems



When placing an order please contact your sales representative to review your order to ensure the proper system has been identified for your vehicle application.

Availability of the products shown in this catalog is subject to change without notice by Bergstrom, Inc. For the most current product information please visit the Kysor distributor website at <https://parts.kysorhvac.com/>.

Warranty

- 5-year limited warranty



Solar Energy System Service Parts

Part No: 4499158



General Specifications: Remote Display for CC 3024i

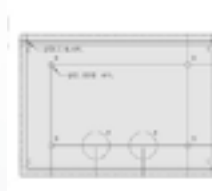
Part No: 4499160



General Specifications: BLUE SKY Charge Control SC30

Voltage: 12V

Part No: 4499161



General Specifications: BLUE SKY SC30 Control Housing

Length: 6 11/32" (161.3mm)

Width: 2 3/4" (69.9mm)

Amps: 30 A/h

Part No: 4499168



General Specifications: BLUE SKY Charge Control 3024i

Voltage: 24V

Length: 6 39/64" (167.7mm)

Width: 3 3/8" (85.9mm)

Height: 6 55/64" (174.2mm)

Part No: 4499170



General Specifications: BLUE SKY Charge Control 3024i

Voltage: 12V

Length: 6 39/64" (167.7mm)

Width: 3 3/8" (85.9mm)

Height: 6 55/64" (174.2mm)



Air Conditioning & Heating
Replacement Parts

Part Number Cross Reference

Part # - Superceded to:	762	Mack	857
Airpro	765	Modine	859
Airsource - MEI	765	Motorcraft	859
Behr Hella	777	Motor Products	859
Behr of America	777	Murray	860
Bergstrom	778	Ogura	860
Blue bird	806	Omega	860
Chevy/GMC	807	Oshkosh	869
Climate Control INC.	808	Parker	869
Climatech	808	Peterbilt	870
DCM	818	Pitts	871
Eaton	818	Que	871
Euclid	818	Red Dot Aftermarket	872
Evans	820	Red Dot Factory	879
Everco	821	Sanden	886
Everco HD	821	Siemens	889
Fasco	822	Thomas	889
Fleetrite	822	TRP	891
Ford	835	Truck Air	896
Four Seasons	836	UAC	904
Freightliner Alliance	839	Valeo	906
Freightliner OE	847	Volvo	906
Gillig	852	Warner	914
IC Corp	852	Western Star	914
Ice	853		
International	854		
Kenworth	857		

Availability of the products shown in this catalog is subject to change without notice by Bergstrom, Inc. For the most current product information please visit the Kysor distributor website at <https://parts.kysorhvac.com/>.

Part # - Superseded to:

PART # - SUPERCEDED TO:		PART # - SUPERCEDED TO:		PART # - SUPERCEDED TO:	
Old Kysor Number	New Kysor Number	Old Kysor Number	New Kysor Number	Old Kysor Number	New Kysor Number
1010007	1099003	1275002	1275007	1401401	1410086
1013007	1013007	1299001	1299001	1401408	1410075
1013009	1013009	1299011	1299048	1401412	1410056
1013011	1013011	1299012	1299047	1401420	1410101
1015003	1015006	1299018	1199056	1401425	1410102
1075005	1075005	1299024	1299024	1401429	1410073
1075021	1075058	1299025	1299025	1401434	1410070
1075025	1075025	1299030	1299030	1401439	1412011
1075038	1099124	1299031	1299031	1401441	1412012
1099009	1099012	1312003	1380004	1401448	1410031
1099014	1013015	1313001	1380005	1401449	1412010
1099016	1099012	1313005	1380003	1402002	1411002
1099018	1099018	1399003	1380001	1402004	1411013
1099030	1099030	1399006	1380007	1402005	1411014
1099054	1099054	1399007	1380002	1402006	1411015
1099057	1012015	1399009	1380006	1402007	1411016
1099059	1099059	1399012	1313006	1402014	1410007
1099066	1099325	1399012	1313008	1402016	1410026
1099067	1099306	1401101	1410063	1402019	1410003
1099067	1099326	1401112	1410016	1402021	1410019
1099068	1099305	1401129	1410059	1402022	1410020
1099068	1099327	1401130	1401399	1402024	1410011
1099071	1099328	1401139	1410061	1402027	1410023
1099073	1099319	1401208	1410050	1402028	1410064
1099077	1099077	1401216	1410054	1402029	1410067
1099080	1099080	1401217	1410105	1402030	1410062
1099084	1099161	1401223	1410055	1402032	1410002
1099085	1099118	1401333	1401333	1402033	1410022
1099093	1099330	1401335	1410068	1402035	1411003
1099099	1099317	1401336	1401471	1402038	1412002
1099100	1099318	1401338	1401346	1402043	1412007
1099102	1099322	1401339	1401360	1402044	1412008
1099115	1099308	1401340	1410094	1402045	1412009
1099123	1099316	1401341	1412004	1402049	1412013
1099139	1099157	1401345	1410013	1402050	1412014
1099300	1099318	1401349	1401426	1403117	1403117
1099301	1099319	1401352	1410012	1403143	1411005
1099302	1099316	1401352	1401365	1403147	1403147
1099303	1099317	1401363	1401427	1403149	1411009
1099304	1099325	1401364	1401355	1404029	1404025
1099306	1099326	1401376	1401107	1406001	1410021
1099307	1099328	1401385	1410043	1406004	1410025
1099307	1099328	1401387	1410016	1406005	1410046
1099309	1099330	1401388	1401407	1407042	1407042
1099310	1099322	1401393	1401460	1409015	1409017
1099314	1099323	1401394	1401460	1410030	1412002
1112001	1199023	1401395	1401428	1410090	1412003
1199004	1199009	1401398	1412006	1410096	1412004

PART # - SUPERCEDED TO:	
Old Kysor Number	New Kysor Number
1410098	1412005
1410103	1412001
1511019	1511019
1511021	1511023
1512003	1512003
1512008	1512015
1512012	1512017
1512013	1512025
1512026	1512027
1513009	1513017
1513014	1513028
1513026	1513011
1514015	1514024
1517010	1517011
1517022	1517016
1612001	1612002
1612017	1612012
1615002	1615003
1617012	1617018
1617016	1617017
1713006	1799066
1812004	1899020
1812015	1812013
1813005	1813016
1813010	1813015
1813011	1899041
1814002	1814007
1817002	1817011
1817006	1817010
1818001	1899047
1875002	1817001
1899009	1875003
1899010	1814006
1899028	1899042
1899030	1899044
1899035	1899046
1899036	1813017
1899039	1813019
1899060	1899043
1899061	1899058
1910008	1910002
1912001	1912020
1912002	1912021
1912005	1912022
1912007	1912023
1912008	1912024
1912010	1912025
1912011	1912026

PART # - SUPERCEDED TO:	
Old Kysor Number	New Kysor Number
1912013	1912027
1912015	1912028
1912019	1912029
1913001	1913013
1913004	1913014
1913007	1913015
1913008	1913016
1913009	1913017
1914002	1914013
1914003	1914014
1915001	1915008
1915006	1915010
1917003	1999225
1917004	1917008
1917005	1914015
1917006	1917009
1917007	1917010
1918002	1918008
1918003	1918009
1975001	1999226
1975002	1975008
1999003	1914016
1999008	1999005
1999046	1999228
1999204	1999221
1999205	1999229
2012004	4099150
2012010	2012006
2013006	2013007
2014001	2099028
2018004	2099004
2099008	2099029
2113009	2118005
2199011	2499140
2199086	4399146
2213008	2213016
2214001	2299108
2275002	2275012
2275006	2275011
2299004	2299003
2299007	2275013
2299009	2299108
2310013	2318001
2412002	2499111
2412003	2412015
2412004	2499098
2412009	2499113
2412011	2412005

PART # - SUPERCEDED TO:	
Old Kysor Number	New Kysor Number
2414001	2414008
2414002	2499120
2414003	2414011
2414004	2499128
2414005	2499101
2414006	2499118
2414009	2414011
2475001	2499116
2475003	2499123
2475004	2499124
2499003	2499108
2499004	2499100
2499007	2499121
2499011	2499119
2499022	2499097
2499024	2499112
2499029	2499109
2499030	2499107
2499034	2499105
2499071	2499127
2499072	2499154
2499073	2499099
2499074	2499114
2499076	2414010
2499077	2499087
2499079	2499096
2499080	2499130
2499082	2499110
2499083	2499117
2499088	2499134
2499090	2499133
2499092	2499115
2499095	2499102
2499103	2499132
2499139	2499142
2514001	2514003
2514002	2514003
2599013	2599072
2599021	2599071
2622704	2610772
2899017	2899006
2899018	2899003
2899019	2899004
3099003	3099055
3099005	3099066
3099010	3099047
3099014	3099067
3099015	3099059

Part # - Superseded to:

PART # - SUPERCEDED TO:		PART # - SUPERCEDED TO:		PART # - SUPERCEDED TO:	
Old Kysor Number	New Kysor Number	Old Kysor Number	New Kysor Number	Old Kysor Number	New Kysor Number
3099016	3099058	3375069	BSP00016HVAC12	4099115	4475013
3099017	3099060	3375070	BSP00016HVAC24	4099137	4099193
3099021	3099056	3375073	BSP00015HEAT12	4099175	4099181
3099023	3099057	3375074	BSP00015HEAT24	4099196	4099207
3099024	3099042	3375077	BSP00016HEAT12	4099202	4499147
3099024	3099062	3375078	BSP00016HEAT24	4099204	4499147
3099035	3099069	3375082	BSP00018HEAT24	4399037	4399010
3099036	3099070	3375083	BSP00020HEAT12	4399178	4399148
3099037	3099072	3375084	BSP00020HEAT24	4420008	4420004
3099038	3099071	3375085	BSP00019HEAT12	4475002	4099203
3099039	3099073	3375087	BSP00007AC12	4475008	4499079
3099040	3099068	3375088	BSP00007AC24	4475010	4475066
3099041	3099061	3375090	BSP00008AC24	4475021	4099195
3099042	3099062	3375093	3380020	4475035	2113011
3099043	3099063	3375094	3380015	4475036	4475070
3099044	3099064	3380031	BSP00004COND24	4475038	4475068
3099045	3099065	3380032	BSP00005COND12	4475039	3620010
3099046	3099066	3380033	BSP00005COND24	4475040	3620010
3099048	3099067	3399001	3399024	4475042	4499149
3099049	3099068	3399002	3399059	4475065	4475067
3099050	3099069	3399004	BSP00021HEAT12	4480050	4480071
3099051	3099070	3399010	3399091	4499061	4475041
3099052	3099071	3399012	BSP00015AC12	4499128	4499151
3099053	3099072	3399015	BSP00012AC24	BSP00001AC12	BSP00028AC12
3112013	3112014	3399019	3399064	BSP00017AC12	BSP00017HVAC12
3199077	2499132	3399020	BSP00009COND12	BSP00017AC24	BSP00017HVAC24
3299021	3299033	3399021	3399033		
3375005	BSP00039AC12	3399027	3399092		
3375006	BSP00039AC24	3399038	3399090		
3375020	BSP00037AC12	3399042	3399058		
3375021	BSP00038AC12	3399043	3399092		
3375028	BSP00003COND12	3399045	3399057		
3375029	BSP00003COND24	3399052	3399055		
3375030	BSP00004COND12	3399053	3399063		
3375032	BSP00004COND24	3399077	3399093		
3375038	BSP00013COND12	3475086	BSP00008AC12		
3375040	BSP00015COND24	3620001	3620008		
3375046	BSP00012COND12	3620002	3620009		
3375047	BSP00009AC12	3620004	3620010		
3375048	BSP00009AC24	3620005	3620010		
3375049	BSP00006HVAC12	3620006	3620010		
3375050	BSP00006HVAC24	3620007	3620010		
3375057	BSP00035AC12	3699041	3699041		
3375058	BSP00035AC24	4099008	4099111		
3375059	BSP00002HVAC12	4099084	4499089		
3375060	BSP00002HVAC24	4099086	4499087		
3375061	BSP00003HVAC12	4099089	4499036		
3375062	BSP00003HVAC24	4099113	4499038		

This listing shows parts that are similar in physical interchangeability and function. Cross reference lists should not be used as application guides. Please refer to the proper listing in the applications section for specific make and model recommendations.

AIRPRO	
Airpro Number	Kysor Number
275102	1075051
20-4511	1401104
20-4516	1401140
20-4626	1401107
20-4627	1401108
20-4647	1401115
20-10068	1401115
20-4665	1401110
20-4665	1401116
20-4665	1412001
20-4666	1401371
20-9663	1401118
20-9663	1412002
220-211	2217003
25-140634	1399017
25-140697	1399027
25-141141	1399004
25-141170	1312001
25-141172	1399046
25-141186	1399008
25-146621	1313006
25-501939-D	1313005
25-502409	1399005
25-8801	1399014
31-2001-1	1999022
31-3002-MOI	1999221
31-3003	1999032
50-3020	2399005
51-5623	2212002
51-6003	2199061
51-6004	2199019
53-2011	2010009
53-2047	2011001
63-1210	1199010
71-6200	1614003
71-6201	1699004
71R0050	2199009
71R4301	2299100
71R6090	2213003
71R6220	2212005
71R7650	2299008
73R6230	1115001
73R7101	1199001
74R3376	1919003
31-3053	1919003
80-3212	2799085
80-3312	2799087
95-6916	3099054

AIRPRO	
Airpro Number	Kysor Number
RD-73R6381	1115003

AIRSOURCE - MEI	
Airsource Number	Kysor Number
0003	2799014
0005	2799030
0008	2799013
0011	2799015
0011	2799115
0012	2799019
0013	2799016
0013	2799116
0015	2799017
0017	2799018
0108	2799020
0110	2799021
0112	2799022
0112	2799023
0114	2799024
0117	2799025
0126	2712001
0127	2712002
0128	2712003
0130	2712004
0131	2712005
0134	4399136
0136	2799105
0137	2799208
0138	2799211
0139	2799212
0140	2712007
0141	2712006
0180	2799032
0199	2799202
1020	2112001
1021	2199009
1028	2199104
1044	2199007
1050	2199008
1055	2114001
1055	2114002
1060	2199006
1080	2113001
1081	2113002
1082	2113003
1104	2199022

AIRSOURCE - MEI	
Airsource Number	Kysor Number
1105	2199023
1106	2117001
1108	2199021
1112	2112008
1115	2112002
1118	2117004
1144	2114007
1150	2199005
1150	2199024
1150	2199025
1150	2199026
1151	2118003
1151	2199005
1151	2199027
1154	2175002
1155	2199002
1155	2199010
1160	2175003
1164	2175004
1165	2118001
1167	2118002
1196	4399006
1200	2013004
1205	2199034
1207	2175001
1207	2199036
1214	2199031
1215	2199032
1215	2199044
1220	2099005
1221	2013003
1223	2017002
1223	2017004
1224	2017001
1225	2018001
1227	2012005
1229	2012006
1230	2099006
1230	2099016
1233	2099004
1238	2012007
1241	2114003
1242	2199003
1243	2013005
1244	2112005
1249	2010010
1250	2099013
1251	2099009

Airsource - MEI

This listing shows parts that are similar in physical interchangeability and function. Cross reference lists should not be used as application guides. Please refer to the proper listing in the applications section for specific make and model recommendations.

AIRSOURCE - MEI		AIRSOURCE - MEI		AIRSOURCE - MEI	
Airsource Number	Kysor Number	Airsource Number	Kysor Number	Airsource Number	Kysor Number
1251	2099023	1415	2299006	1568	2113012
1252	2010009	1416	2210001	1569	2113013
1252	2099002	1423	2299022	1583	2115004
1266	2012003	1425	2299023	1600	1899046
1267	2012001	1426	2299010	1601	1899058
1271	2575008	1430	2299005	1602	1899042
1272	2575004	1434	2299024	1602	1899005
1273	2575006	1438	2217002	1602	1812016
1274	2575007	1439	2217001	1602	1818009
1275	2575003	1440	2299018	1606	1899042
1276	2599029	1441	2275003	1606	1812020
1281	2599025	1442	2299019	1606	1812016
1281	2599037	1443	2299020	1606	1818009
1283	2599041	1445	2275001	1606	1899064
1286	2599038	1446	2299017	1607	1812019
1288	2599043	1450	2275012	1608	1817001
1293	2099012	1450	2299001	1608	1899040
1297	2015003	1456	2299012	1609	1813016
1310	2217003	1457	2299021	1610	1899008
1315	2312001	1462	2211007	1611	1899044
1318	2375001	1463	2299002	1612	1813007
1322	2113009	1468	2299013	1612	1813019
1326	2399011	1470	2214004	1614	1899041
1327	2313001	1472	2214002	1615	1812010
1327	2399010	1473	2213013	1618	1812005
1327	2399022	1474	2213002	1618	1812011
1328	2313001	1476	2213001	1619	1812006
1331	2399003	1477	2213006	1620	1813017
1331	2399005	1479	2275007	1620	1899045
1333	2313002	1482	2213003	1620	1899066
1333	2313003	1486	2213010	1621	1812007
1336	2399004	1491	2275005	1622	1813013
1340	2318002	1494	2299014	1622	1817005
1340	2318004	1498	2212005	1622	1818006
1340	2399006	1510	2299033	1625	1875003
1342	2314002	1512	2212001	1625	1899009
1342	2399001	1513	2212002	1625	1899062
1342	2399009	1514	2212004	1625	1899063
1343	2318001	1515	2214006	1625	1899065
1347	2312002	1519	2214003	1625	1814001
1348	2399018	1520	2313004	1626	1899048
1348	2399019	1521	2113011	1630	1813001
1351	2399020	1525	2299100	1630	1899026
1359	2312003	1536	2390001	1630	1812017
1373	2213007	1545	1399084	1630	1812018
1374	2213017	1560	2299003	1632	1812008
1375	2217004	1565	2299008	1633	1812012
1400	2213014	1567	2113014	1634	1812013

This listing shows parts that are similar in physical interchangeability and function. Cross reference lists should not be used as application guides. Please refer to the proper listing in the applications section for specific make and model recommendations.

AIRSOURCE - MEI	
Airsource Number	Kysor Number
1635	1813002
1638	1817018
1639	1817011
1642	1812014
1644	1814007
1648	1899031
1648	1813018
1650	1810003
1651	1811001
1652	1899002
1653	1810002
1654	1899003
1655	1812004
1655	1899020
1655	1899038
1656	1899021
1657	1899013
1658	1899014
1659	1899015
1662	1813008
1664	1899053
1667	1813015
1667	1817003
1668	1817004
1672	1813014
1672	1818007
1674	4399131
1675	1899022
1678	1815001
1684	1818008
1688	1817010
1690	1813012
1691	1817008
1692	1817007
1694	1899057
1694	1814004
1705	3275002
1705	3299034
1706	3275003
1706	3275004
1707	3275008
1708	3275006
1720	3299020
1728	3299032
1729	3299029
1729	3299031
1731	3299033
1733	3299037

AIRSOURCE - MEI	
Airsource Number	Kysor Number
1736	3212005
1737	3212002
1748	3275005
1800	2512007
1811	4399132
2002	1899011
2006	2175009
2007	2175010
2009	3299045
2010	2199019
2010	2199061
2011	3299048
2017	3299049
2018	3212008
2018	3299047
2104	2411005
2105	2411004
2105	2475005
2106	2499031
2108	2410004
2214	2412015
2223	2499006
2238	2475002
2239	2413004
2240	2499098
2242	2413003
2252	2499003
2260	2412007
2262	2418003
2271	2417001
2305	2499002
2310	2499005
2315	2412013
2315	2499038
2354	2499078
2356	2414004
2370	2117005
2375	2412005
2376	2418001
2377	2199069
2377	2118004
2378	2117006
2379	2417002
2379	2417003
2380	2199066
2382	2113010
2383	2115003
2384	2113007

AIRSOURCE - MEI	
Airsource Number	Kysor Number
2386	2113005
2389	2113015
2396	2412010
2398	2499118
2399	2414007
2401	2499043
2403	2411001
2407	2199067
2426	2411007
2427	2499044
2428	2413006
2430	2413005
2455	2411003
2456	2499045
2457	2499040
2532	2599015
2536	2599020
2537	2599071
2601	2640774
2610	2499050
2611	2499052
2622	2499053
2637	2640772
2640	2640704
3003	1075016
3012	1075017
3037	1075022
3044	1017004
3044	1017005
3051	1011014
3054	1075006
3070	1015006
3102	1013015
3102	1099014
3130	1014002
3130	1075009
3130	1099013
3131	1075009
3145	1099159
3152	1099160
3182	1099047
3183	1014006
3205	1011016
3231	1075036
3231	1099026
3236	1075014
3238	1099021
3240	1075011

Airsource - MEI

This listing shows parts that are similar in physical interchangeability and function. Cross reference lists should not be used as application guides. Please refer to the proper listing in the applications section for specific make and model recommendations.

AIRSOURCE - MEI		AIRSOURCE - MEI		AIRSOURCE - MEI	
Airsource Number	Kysor Number	Airsource Number	Kysor Number	Airsource Number	Kysor Number
3242	1099049	3622	1199023	3936	1018002
3244	1099019	3625	1199015	3937	1014003
3248	1012010	3631	1117002	3937	1014005
3251	1018006	3641	1199010	3938	1018003
3267	1011003	3650	1115001	3940	1013012
3322	1011015	3650	1199008	3941	1013013
3322	1017003	3670	1199003	3942	1013004
3322	1099025	3675	1115003	3944	1012006
3341	1099012	3679	1118001	3945	1099092
3341	1099024	3685	1199038	3946	1099069
3342	1099011	3691	1118001	3946	1099070
3356	1013006	3715	1199009	3946	1099094
3356	1099072	3735	1199001	3946	1099127
3368	1099087	3738	1199030	3952	1099021
3369	1075012	3738	1199035	3955	1015009
3373	1075034	3739	1113002	3961	1014007
3385	1075051	3741	1113003	3964	1099064
3385	1099015	3760	1117001	3965	1013005
3389	1099004	3761	1017001	3967	1012016
3393	1099048	3762	1015007	3968	1013008
3402	1099022	3763	1017001	3972	1017006
3454	1075013	3770	1199049	3972	1017007
3458	1099029	3772	1199007	4101	2799066
3458	1099033	3773	1199044	4326	2799201
3458	1099054	3774	1199006	4328	2622403
3459	1099034	3775	1117003	4338	2621101
3468	1075005	3782	1099126	4347	2621192
3468	1075031	3785	1099075	4348	2621193
3468	1099080	3806	1299016	4360	2622193
3468	1099124	3808	1299013	4361	2612194
3470	1075035	3810	1275003	4388	2611205
3470	1099050	3811	1299015	4392	2611204
3471	1013009	3812	1299017	4393	2611151
3471	1099051	3853	1299002	4397	2611295
3473	1099077	3853	1299008	4409	2612254
3475	1099032	3856	1299006	4428	2612207
3475	1099059	3862	1299001	4445	2613891
3476	1075018	3907	1099116	4467	2620793
3478	1099306	3912	1015002	4478	2610777
3479	1099328	3914	1019001	4502	2622401
3502	1099018	3915	1013011	4815	2799117
3530	1299014	3916	1018009	4817	2799118
3552	1099006	3922	1099023	4846	2610006
3552	1099033	3924	1099063	4926	2621603
3552	1099040	3925	1099003	4927	2621604
3602	1099055	3927	1099007	4928	2621606
3605	1299019	3931	1012015	4930	2621651
3606	1275005	3933	1012009	4931	2621652

This listing shows parts that are similar in physical interchangeability and function. Cross reference lists should not be used as application guides. Please refer to the proper listing in the applications section for specific make and model recommendations.

AIRSOURCE - MEI	
Airsource Number	Kysor Number
4934	2621656
4937	2621692
4938	2621693
4939	2621694
4940	2621696
4948	2622651
5029	1380007
5030	1380005
5031	1313008
5031	1399005
5032	1313002
5035	1380010
5036	1399017
5041	1399004
5041	1399046
5044	1313005
5044	1380003
5045	1399045
5054	1399014
5063	1399027
5064	1399041
5078	1380008
5079	1380012
5096	1312001
5108	1380014
5126	1399008
5127	1312002
5128	1380006
5129	1380004
5131	1399013
5138	1399068
5143	1313006
5144	1380001
5145	1380002
5201	1401326
5202	1401325
5203	1401327
5204	1401329
5205	1401328
5236	1411001
5253	1404025
5256	1411002
5256	1402002
5260	1411014
5262	1411013
5266	1411015
5269	1411016
5282	1401206

AIRSOURCE - MEI	
Airsource Number	Kysor Number
5282	1410049
5282	1401357
5282	1410095
5283	1401208
5283	1410050
5284	1410054
5285	1401201
5285	1410031
5286	1401202
5286	1401472
5286	1410047
5287	1401204
5287	1410048
5288	1401200
5288	1401462
5289	1401214
5290	1401225
5290	1410032
5291	1401226
5291	1410033
5292	1401217
5292	1410105
5293	1401219
5293	1410104
5294	1410055
5295	1401210
5295	1410051
5296	1410052
5296	1401212
5298	1401402
5298	1410097
5299	1401403
5299	1410060
5300	1401468
5302	1401470
5303	1401471
5305	1401510
5306	1401409
5306	1410076
5307	1401433
5307	1410069
5312	1401469
5313	1401508
5316	1401457
5318	1401458
5320	1410012
5320	1401365
5321	1401512

AIRSOURCE - MEI	
Airsource Number	Kysor Number
5322	1401353
5322	1410059
5323	1401355
5323	1401364
5323	1410056
5325	1401119
5325	1410091
5326	1401120
5326	1410006
5327	1410005
5327	1401121
5328	1401122
5328	1410008
5329	1401125
5329	1410018
5330	1401126
5330	1412003
5331	1401399
5331	1410023
5332	1401382
5333	1401346
5333	1410007
5334	1401339
5334	1401360
5334	1410026
5335	1401340
5335	1410094
5336	1401341
5336	1401359
5336	1412004
5339	1401397
5339	1410028
5340	1401475
5341	1401476
5345	1401127
5345	1410092
5347	1410025
5348	1401407
5348	1410046
5349	1401133
5349	1410027
5355	1410044
5361	1410042
5361	1406006
5362	1401404
5362	1410002
5363	1401342
5363	1410004

Airsource - MEI

This listing shows parts that are similar in physical interchangeability and function. Cross reference lists should not be used as application guides. Please refer to the proper listing in the applications section for specific make and model recommendations.

AIRSOURCE - MEI		AIRSOURCE - MEI		AIRSOURCE - MEI	
Airsource Number	Kysor Number	Airsource Number	Kysor Number	Airsource Number	Kysor Number
5363	1410070	5401	1408005	5533	1409004
5363	1401331	5402	1401416	5533	1409005
5365	1401390	5403	1401421	5534	1408038
5365	1410022	5403	1410074	5534	1409005
5366	1401405	5404	1401437	5537	2799097
5366	1410003	5404	1412009	5538	2799095
5367	1410084	5405	1440002	5540	1409010
5367	1401374	5406	1401417	5541	1409008
5370	1401354	5408	1408006	5546	1408043
5370	1410082	5409	1401461	5547	1408044
5370	1401377	5411	1408054	5548	1408045
5371	1401513	5413	1401477	5549	1408046
5373	1401406	5415	1403130	5553	2899027
5373	1410019	5418	1408053	5554	1409003
5380	1401122	5422	1408017	5555	2899004
5380	1410029	5431	1408027	5556	2899006
5380	1401383	5433	1408037	5557	2899003
5381	1401344	5449	1408010	5558	2899002
5381	1410020	5450	1408009	5559	2899005
5382	1401379	5451	1408013	5560	2899001
5382	1410024	5452	1408014	5563	2899015
5383	1401400	5491	1407010	5563	2899026
5383	1410009	5500	1407001	5573	2899014
5384	1401380	5501	1407005	5574	1409006
5384	1410021	5503	1407004	5575	1409007
5385	1401362	5505	1407002	5576	2799031
5385	1410010	5506	1408015	5578	1409002
5387	1401427	5507	1408016	5579	1409013
5387	1401443	5508	1408002	5580	1409016
5387	1410011	5510	1408001	5585	1409018
5390	1412005	5511	1408024	5587	1409011
5390	1401378	5512	1408025	5588	1409012
5391	1410061	5513	1408034	5590	1407035
5391	1401467	5514	1408035	5592	1407038
5393	1401389	5515	1408022	5593	1407037
5393	1410088	5516	1408023	5594	1407036
5394	1401356	5517	1408030	5595	1407034
5394	1410001	5518	1408031	5611	1407029
5395	1401460	5519	1408051	5623	1407009
5396	1401396	5520	1408052	5633	1407008
5396	1410099	5521	1408020	5651	1407012
5397	1401420	5523	1408047	5659	1407024
5397	1410101	5524	1408048	5661	1407025
5398	1401438	5528	1408049	5662	1407026
5398	1412010	5529	1408050	5664	1407027
5399	1401419	5531	1409009	5671	1407030
5400	1401422	5531	1409014	5701	1401401
5400	1412008	5532	1408036	5701	1410086

This listing shows parts that are similar in physical interchangeability and function. Cross reference lists should not be used as application guides. Please refer to the proper listing in the applications section for specific make and model recommendations.

AIRSOURCE - MEI	
Airsource Number	Kysor Number
5702	1401135
5702	1410071
5703	1401348
5705	1401347
5705	1410036
5705	1401450
5706	1401114
5706	1401373
5706	1401503
5706	1410017
5706	1410043
5707	1401117
5707	1410041
5708	1401334
5708	1410083
5710	1401519
5710	1401440
5710	1410093
5711	1403100
5712	1401101
5712	1410063
5714	1401332
5716	1410068
5717	1410035
5717	1401367
5719	1401104
5721	1401480
5722	1403104
5724	1403111
5725	1401330
5725	1410038
5726	1401107
5726	1410013
5727	1401108
5727	1410014
5727	1410040
5727	1401375
5730	1401333
5732	1403163
5735	1401123
5735	1410085
5736	1401522
5736	1401138
5740	1410037
5740	1401109
5741	1401473
5745	1401110
5745	1401116

AIRSOURCE - MEI	
Airsource Number	Kysor Number
5745	1412001
5746	1401111
5746	1410015
5748	1401118
5748	1401384
5748	1412002
5748	1410072
5749	1401479
5752	1401113
5752	1410039
5756	1403101
5756	1403110
5757	1403103
5760	1403105
5762	1401496
5763	1403015
5763	1403112
5764	1401115
5764	1410016
5766	1403116
5768	1403117
5770	1401361
5770	1410058
5771	1401106
5771	1410057
5772	1410067
5775	1401140
5775	1410065
5780	1403123
5783	1403119
5784	1403120
5786	1401391
5788	1401514
5789	1403114
5790	1403129
5791	1403125
5796	1403126
5796	1403132
5805	1403141
5811	1403001
5822	1403004
5877	1403015
5877	1403150
5880	1403145
5880	1401525
5881	1403146
5896	1411005
5897	1411006

AIRSOURCE - MEI	
Airsource Number	Kysor Number
5898	1411007
5899	1411009
5900	1411008
5901	1411010
5904	1411012
5910	1411011
5932	1403153
6011	1514007
6023	1575001
6024	1575002
6032	1575008
6033	1575007
6036	1599005
6039	1575004
6043	1575005
6055	1515002
6064	1513022
6064	1513019
6066	1512004
6084	1512007
6085	1513007
6086	1513011
6094	1518006
6127	1599011
6128	1513017
6191	1512001
6200	1512002
6202	1514017
6203	1518009
6204	1511005
6205	1513004
6211	1515003
6214	1515005
6215	1515004
6220	1517008
6222	1518008
6224	1511007
6227	1714008
6227	1513008
6228	1512005
6229	1512003
6238	1510018
6251	1515017
6265	1519003
6273	1517011
6275	1517012
6276	1518011
6283	1513001



Airsource - MEI

This listing shows parts that are similar in physical interchangeability and function. Cross reference lists should not be used as application guides. Please refer to the proper listing in the applications section for specific make and model recommendations.

AIRSOURCE - MEI		AIRSOURCE - MEI		AIRSOURCE - MEI	
Airsource Number	Kysor Number	Airsource Number	Kysor Number	Airsource Number	Kysor Number
6284	1514022	6390	1513034	6697	1618012
6286	1514016	6395	1514026	6698	1613012
6288	1513028	6505	1614003	6809	1717008
6289	1515006	6506	1675003	6815	1715002
6290	1515016	6518	1675006	6821	1715007
6291	1515015	6524	1699013	6836	1714005
6292	1517014	6531	1613005	6837	1714004
6293	1512011	6544	1614008	6840	1713004
6295	1511019	6549	1617007	6843	1799007
6296	1511020	6550	1675001	6850	1717006
6297	1512015	6552	1675002	6877	1713001
6299	1513029	6564	1614002	6883	1713005
6300	1513027	6565	1614005	6885	1799005
6301	1517016	6570	1612002	6886	1714007
6308	1599014	6580	1615003	6887	1713003
6310	1599101	6581	1699002	6890	1717002
6312	1599015	6596	1615008	6891	1799014
6314	1599119	6601	1614004	6893	1717004
6316	1510020	6602	1614006	6896	1714006
6319	1512032	6603	1613003	6897	1717005
6320	1512029	6605	1613006	6899	1718001
6321	1519004	6606	1617005	6915	1712004
6322	1515021	6609	1613007	6926	1718006
6323	1517017	6610	1613001	6928	1717014
6327	1515014	6610	1613002	6930	1717011
6328	1515013	6632	1617006	6936	1712008
6331	1515018	6633	1699005	6942	1712007
6332	1512017	6638	1614007	6946	1715008
6342	1514024	6642	1617011	6948	1713007
6344	1512028	6645	1618005	6960	1713012
6345	1512027	6648	1618002	6963	1715009
6348	1517020	6661	1712012	6964	1717012
6353	1511018	6662	1612012	6965	1713009
6357	1515019	6663	1612006	6966	1713010
6358	1517019	6665	1615010	6967	1718009
6359	1517018	6665	1615011	6968	1713013
6360	1517021	6667	1618011	7115	1999239
6361	1517015	6670	1612018	7117	1911009
6362	1518012	6671	1612011	7118	1975004
6363	1519005	6679	1617013	7118	1999005
6365	1511023	6679	1617014	7122	1999220
6368	1513032	6680	1613010	7123	1999221
6370	1514025	6683	1613011	7124	1999030
6371	1512025	6684	1615012	7125	1999037
6372	1513033	6688	1617015	7126	1999016
6372	1513036	6689	1617010	7129	1999226
6378	1513035	6694	1617009	7129	1999227
6380	1512030	6696	1613009	7129	1975007

This listing shows parts that are similar in physical interchangeability and function. Cross reference lists should not be used as application guides. Please refer to the proper listing in the applications section for specific make and model recommendations.

AIRSOURCE - MEI	
Airsource Number	Kysor Number
7130	1913013
7132	1914013
7133	1912021
7134	1914016
7135	1912020
7141	1999203
7143	1918001
7143	1919001
7145	1999269
7152	1999029
7154	1999007
7155	1915005
7156	1999009
7156	1999034
7157	1999022
7159	1918005
7159	1918008
7160	1912014
7160	1912022
7161	1917001
7162	1999014
7164	1915004
7165	1915002
7165	1915010
7166	1915008
7168	1912023
7169	1912024
7174	1919002
7174	1918009
7175	1999012
7175	1914001
7185	1918004
7190	1999013
7193	1919003
7197	1912026
7198	1912025
7214	1999031
7218	1918006
7229	1999032
7230	1913014
7232	1975008
7243	1999015
7385	1999004
7386	1914004
7387	1914005
7387	1914014
7389	1999011
7391	1999257

AIRSOURCE - MEI	
Airsource Number	Kysor Number
7393	1914006
7393	1914008
7393	1999228
7400	1999234
7408	1917008
7409	1999225
7412	1914010
7413	1914011
7415	1913015
7416	1913012
7422	1913011
7446	1910002
7471	1999202
7472	1999200
7480	1999040
7500	1999272
7502	1999229
7504	1999238
7540	1999232
7541	1999223
7542	1999236
7549	1999224
7555	1999261
7560	1999253
7562	1975003
7585	1912028
7954	3199034
7955	3199085
7956	3115001
7957	3114003
7958	3199025
7963	3199016
7965	3117002
7965	3117003
7972	3199021
7973	3199030
7975	3112012
7976	3112001
7977	3112009
7978	3112010
7979	3118003
7981	3112006
7983	3117001
7984	3112005
7985	3118002
7986	3199020
7987	3113004
7988	3113005

AIRSOURCE - MEI	
Airsource Number	Kysor Number
7989	3113001
7990	3113003
7991	3175001
7993	3175009
7994	3175002
7996	3114001
7997	3113006
7998	3112007
7999	3119001
8100	2899100
8202	3099042
8202	3099062
8206	3099065
8207	3099064
8240	3099047
8248	3099007
8256	3099054
8476	2999102
8476	2999103
8506	2610001
8508	2610002
8510	2610003
8512	2610004
8520	2799084
8521	2799085
8523	2799087
8531	2799039
8532	2799037
8570	2630003
8572	2630004
8576	2630001
8578	2630002
8606	2610001-DS
8608	2610002-DS
8610	2610003-DS
8612	2610004-DS
8614	2600005
8615	2600006
8616	2600007
8617	2600008
8712	2999060
8723	2999051
8727	2999032
8729	2999031
8730	2630014
8731	2630015
8734	2999075
8781	2799102

Airsource - MEI

This listing shows parts that are similar in physical interchangeability and function. Cross reference lists should not be used as application guides. Please refer to the proper listing in the applications section for specific make and model recommendations.

AIRSOURCE - MEI		AIRSOURCE - MEI		AIRSOURCE - MEI	
Airsource Number	Kysor Number	Airsource Number	Kysor Number	Airsource Number	Kysor Number
8782	2799101	54087	1410080	58045	1401490
8805	2999019	54088	1401425	58112	1401518
8891	2999049	54088	1410102	58112	1401523
8900	2899016	54089	1401415	58144	1401491
8900	2999033	54093	1401499	58152	1401492
8912	2999037	54096	1401500	10-3005	2640701
8913	2999036	54099	1401501	10-3010	2640702
8914	2899029	54261	1401502	02-3434	1380009
8915	2899028	54277	1401494	02-3435	1380011
8916	2899107	54308	1401429	02-3439	1380013
8919	2899031	54308	1410073	10-9911	3199015
8925	2899032	54310	1401448	10-9917	3199033
8926	2899033	54322	1401445	0134B	4399135
8927	2899030	54325	1401504	1224A	2017003
8931	2999064	54327	1401505	1243A	2018006
8976	2799200	54384	1401446	1250B	2099003
8989	2799107	54384	1412014	1273A	2575005
8990	4399068	54394	1401507	1283A	2599050
9010	1599100	54402	1401463	1291A	2599044
9940	3199041	54404	1401464	1352A	2118005
9949	3199052	54405	1401465	1359C	2112015
9954	3199032	54408	1401447	19-1001	2114004
13901	2013007	54440	1401466	2357A	2418004
15701	2112013	54455	1401495	3468A	1099125
16100	1814003	54510	1410064	3478A	1099319
16101	1817009	54510	1401484	3568MP	1099153
16106	1814005	54546	1401426	3571MP	1099152
50200	1380015	54578	1401509	4120EZ	2630009
50411	1399075	54600	1401366	4121EZ	2630010
51375	1399088	54600	1410034	4122EZ	2630011
51416	1441002	54667	1401371	4123EZ	2630012
51416	1440003	54667	1401371	4124EZ	2630005
54018	1401497	54675	1401511	4125EZ	2630006
54020	1401498	54678	1401474	4126EZ	2630007
54025	1401442	54720	1401478	4127EZ	2630008
54027	1401411	54762	1401128	4301EZ	2632494
54027	1412007	54762	1410087	4331EZ	2632493
54028	1401408	54775	1401386	4350EZ	2632101
54028	1410075	54848	1401521	4350S	2612101
54046	1401520	54897	1412006	4351EZ	2632102
54051	1401451	55077	1401392	4351S	2612102
54052	1401436	56035	1401493	4352EZ	2632103
54052	1410077	56321	1401483	4352S	2612103
54066	1401452	56632	1401486	4353EZ	2632104
54074	1401453	56642	1401515	4354EZ	2632151
54083	1401418	56697	1401488	4355EZ	2632152
54083	1410100	57170	1401516	4356EZ	2632153
54087	1401424	57360	1401489	4358EZ	2632191

This listing shows parts that are similar in physical interchangeability and function. Cross reference lists should not be used as application guides. Please refer to the proper listing in the applications section for specific make and model recommendations.

AIRSOURCE - MEI	
Airsource Number	Kysor Number
4358S	2612191
4359EZ	2632192
4359S	2612192
4360EZ	2632193
4360S	2612193
4361EZ	2632154
4362EZ	2632106
4363EZ	2632107
4364EZ	2632108
4365EZ	2632156
4366EZ	2632157
4367EZ	2632158
4368EZ	2632196
4369EZ	2632197
4371EZ	2632211
4372EZ	2632212
4373EZ	2632213
4374EZ	2632098
4375EZ	2632214
4376EZ	2632299
4377EZ	2632301
4379EZ	2632092
4380EZ	2631206
4381EZ	2631207
4381S	2611208
4389EZ	2631201
4389S	2611201
4390EZ	2631202
4390S	2611202
4391EZ	2631203
4391S	2611203
4392EZ	2631204
4393EZ	2631251
4394EZ	2631252
4394S	2611152
4395EZ	2631256
4395S	2611153
4395S	2611192
4396S	2611154
4398EZ	2631291
4398S	2611191
4399EZ	2631292
4400EZ	2631293
4400S	2611193
4401EZ	2631298
4401S	2611198
4402EZ	2632201
4402S	2612201

AIRSOURCE - MEI	
Airsource Number	Kysor Number
4403EZ	2632202
4403S	2612202
4404EZ	2632203
4404S	2612203
4405EZ	2632204
4405S	2612204
4406EZ	2632251
4406S	2612251
4407EZ	2632252
4407S	2612252
4408EZ	2632253
4408S	2612253
4409EZ	2632254
4410EZ	2632291
4410S	2612291
4411EZ	2632292
4411S	2612292
4412EZ	2632293
4412S	2612293
4413EZ	2632294
4413S	2612294
4414S	2611206
4414S	2611207
4415EZ	2631296
4415S	2611196
4416EZ	2631294
4416S	2611194
4417EZ	2632256
4418EZ	2632257
4419EZ	2632258
4423EZ	2631297
4424EZ	2631209
4425S	2611506
4426EZ	2631299
4427S	2612511
4428EZ	2632206
4429EZ	2632207
4429S	2612208
4430EZ	2632208
4430S	2612209
4431S	2612210
4432EZ	2632219
4432S	2612211
4434S	2612256
4435EZ	2632296
4435S	2612296
4436EZ	2632297
4436S	2612297

AIRSOURCE - MEI	
Airsource Number	Kysor Number
4437EZ	2632298
4437S	2612298
4438S	2612299
4439EZ	2632305
4439S	2612212
4440S	2612512
4441S	2612508
4442EZ	2633894
4443EZ	2633898
4444EZ	2633891
4445EZ	2633892
4446EZ	2633893
4447EZ	2633801
4448EZ	2633802
4449EZ	2633803
4457S	2612516
4458S	2612515
4466EZ	2630791
4467EZ	2630792
4468EZ	2630793
4469EZ	2630794
4470EZ	2631301
4470S	2611301
4470S	2611351
4471EZ	2631302
4471S	2611302
4471S	2611352
4472EZ	2631303
4472S	2611303
4472S	2611353
4473EZ	2631304
4473S	2611304
4474EZ	2631391
4474S	2611391
4475EZ	2631392
4475S	2611392
4476EZ	2631393
4476S	2611393
4477EZ	2631306
4478EZ	2630701
4479EZ	2630702
4479S	2610778
4480EZ	2630703
4481EZ	2630704
4481S	2610780
4485S	2610771
4486EZ	2630721
4486S	2610772

Airsource - MEI

This listing shows parts that are similar in physical interchangeability and function. Cross reference lists should not be used as application guides. Please refer to the proper listing in the applications section for specific make and model recommendations.

AIRSOURCE - MEI		AIRSOURCE - MEI		AIRSOURCE - MEI	
Airsource Number	Kysor Number	Airsource Number	Kysor Number	Airsource Number	Kysor Number
4487EZ	2630707	4539EZ	2631592	5385S	1412011
4487S	2610773	4540EZ	2631593	5387S	1401443
4489EZ	2630722	4541EZ	2631596	5387S	1412013
4490S	2622705	4542EZ	2631597	5405A	1440001
4491S	2622706	4543EZ	2632594	5405AG	1441003
4492S	2622707	4544EZ	2632598	5405G	1441001
4493S	2614022	4546EZ	2632095	5412A	1410066
4494EZ	2630911	4550EZ	2632596	5412A	1401456
4495EZ	2630908	4578EZ	2630901	5592A	1407042
4496EZ	2630909	4578S	2610901	5707S	1401432
4497EZ	2630910	4579EZ	2630902	5749A	1401454
4502EZ	2632501	4579S	2610902	5751C	1403107
4502S	2612501	4580EZ	2630906	5752A	1410062
4503EZ	2632502	4581EZ	2630907	5752A	1401455
4503S	2612502	4581S	2610904	5752A	1401485
4504EZ	2632503	4582EZ	2630903	5781C	1403102
4504S	2612503	4582S	2610903	5792T	1403170
4505EZ	2632506	4610EZ	2632001	5794C	1403127
4505S	2612506	4611EZ	2632002	5805C	1403138
4506S	2612551	4612EZ	2632003	5805D	1403136
4507S	2612552	4613EZ	2632004	5805D	1403137
4508S	2612553	4614EZ	2632052	5805E	1403128
4509S	2612554	4615EZ	2632059	5808C	1403140
4510EZ	2632591	4616EZ	2632053	5879G	1403147
4510S	2612591	4617EZ	2632255	5880B	1403169
4511EZ	2632592	4618EZ	2632259	5880BD	1403168
4511S	2612592	4670EZ	2630017	5923A	1403167
4512EZ	2632593	4671EZ	2630022	6245A	1515022
4512S	2612593	4672EZ	2630019	6245A	1518010
4513EZ	2632597	4673EZ	2630023	6298A	1512010
4513S	2612518	4674EZ	2630020	6941A	1712011
4513S	2612594	4675EZ	2630024	7493F	1911013
4513S	2612596	4676EZ	2630021	7493G	1911013
4516EZ	2632507	4844A	2610005	7956M	3115001
4517EZ	2632504	4909S	2614017	8040135P	2299035
4517S	2612504	4910S	2614018	8040136P	2213009
4518S	2612597	5282E	1401482	8040136P	2299031
4519S	2612598	5285E	1401481	8040177P	2299036
4521S	2612510	5291w/5202	1401136	8040178P	2299037
4530EZ	2632110	5333S	1401428	8420EZ	2630016
4531EZ	2632111	5334S	1401410	8760EZ	2630013
4532EZ	2632112	5362S	1401435		
4533EZ	2631501	5363Q	1410070		
4534EZ	2631502	5363S	1401423		
4535EZ	2631503	5363S	1412012		
4536EZ	2631506	5365S	1401413		
4537EZ	2631507	5366S	1401414		
4538EZ	2631591	5385S	1401444		

This listing shows parts that are similar in physical interchangeability and function. Cross reference lists should not be used as application guides. Please refer to the proper listing in the applications section for specific make and model recommendations.

BEHR HELLA		BEHR HELLA		BEHR OF AMERICA	
Behr Hella Number	Kysor Number	Behr Hella Number	Kysor Number	Behr of America Number	Kysor Number
351029181	2012007	351318471	1511020	632005.00	2099004
351029781	2013005	351318491	1515021	13419850	1818006
351029791	2112015	351318501	1511023	98950200	1818006
351034121	1012010	351318511	1518010	2BB19957	1512005
351034171	1018006	351319141	1013012	3100911TC	1512002
351034181	1012006	351319151	1013013	3101011TC	1599011
351034211	1099063	351319651	1515022	3101211TC	1512003
351034221	1099064	351321621	2113011	3101311TC	1512001
351034251	1012016	351321631	2113012	3101411TC	1512011
351044321	1015009	351321641	2113013	A1722	1818007
351044621	1018009	351321661	2113014	A3804-100	1515021
351080311	2199003	351328621	2418004	BHT73002	1512015
351080341	2213014	351329691	3212008	BHT87164	1511020
351080351	2118003	351329731	2418003	BHTD2513	1512010
351080391	2312002	351329751	2418001	BHTE2108	1512010
351080441	2313004	351329761	2412010	BHTE4698	1511023
351186591	3115001	351329771	2412005	BOA 91567	1612011
351192461	1913012	351329781	2412007	BOA 91592	2018006
351209551	4399131	351330121	1618011	BOA 91594	2113009
351234441	1813013	351330301	1612002	BOA 91616	1612012
351234451	1813014	351330321	1612006	BOA 91619	2312002
351234591	1818008	351330361	1612012	BOA 91621	3112010
351239781	1812008	351331071	1615012	BOA 93246	1618011
351239791	1812012	351331201	1612011	BOA 93675	1712008
351279221	3112006	351331211	1612018	BOA 96398	1813014
351279231	3112005	351331301	1618012	BOAA1722	1813014
351279241	3118002	351332331	1013008	BOAA4222	1618011
351279251	3112001	351332391	2018006	BOAA4297	2118005
351279261	3113006	351333111	1713007	BOAA4931	1818006
351279271	3118003	351333121	1713012	BOAD8587	1012016
351279301	3112007	351333141	1718009	BOAE8903	1613010
351279321	3112009	351336151	1818006	BOAM9104001	1712007
351279331	3112010	351336231	1818007	BOAN8119001	1812012
351285021	1812005	351336261	1613010	BOAN9383001	1612018
351285031	1812006	351336271	1613011	BOAN9535001	1812008
351285041	1812007	351341001	2113009	BOAP7577001	1613011
351313581	1712007	351341011	2113005	BOA-80-101-00-209	2418003
351313641	1712012	351341031	2113015	BOA-80-101-00-229	2418001
351313661	1712008	351344061	2118005	BOA-80-101-00-319	2412010
351315761	1715009	87416-B	2099010	BOA-80-101-00-359	2412005
351318231	1512015	87430B	2099012	BOA-80-136-00-039	2475005
351318241	1512002			BOA-80-305-00-939	4399131
351318251	1599011			BOA-80-305-00-949	1813008
351318261	1512003			BOA-80-319-00-089	3112006
351318271	1512001			BOA-80-319-00-139	3112005
351318281	1512011			BOA-80-319-00-149	3118002
351318291	1512004			BOA-80-319-00-159	3112001
351318461	1512010				

Bergstrom

This listing shows parts that are similar in physical interchangeability and function. Cross reference lists should not be used as application guides. Please refer to the proper listing in the applications section for specific make and model recommendations.

BEHR OF AMERICA		BEHR OF AMERICA		BERGSTROM	
Behr of America Number	Kysor Number	Behr of America Number	Kysor Number	Bergstrom Number	Kysor Number
BOA-80-319-00-189	3113006	M7930-100	1518010	108336	1799040
BOA-80-321-00-049	1899047	N6528001	1913012	108337	1799016
BOA-80-321-00-209	1899041	N8154001	1813013	108345	1799020
BOA-80-321-00-259	1812010	R1058001	1813014	108346	1799025
BOA-80-321-00-269	1812005	R1066001	1713012	108347	1799026
BOA-80-375-00-569	1612002	R2430001	2113012	108349	1799027
BOA-80-377-00-249	1612006	R2431001	2113013	108369	1712004
BOA-80-377-00-279	1712012	S2817001	1013013	108409	1713007
BOA-80-414-00-179	1012010	U2100001	1018009	108411	1799035
BOA-80-415-00-769	1018006	U2102001	2418004	108415	1799037
BOA-80-415-00-789	1012006	U2117001	1718009	108416	1612006
BOA-80-415-00-879	1013008	V5778001	1818008	108427	1718006
BOA-80-554-00-009	1718006	U2117001	1718009	108428	1799041
BOA-80-612-02-109	2013005	V5778001	1818008	108433	1799028
BOA-80-618-00-069	3212008			108439	1799050
BOA-80-626-00-039	2113005			108442	1799029
BOA-80-908-00-219	2199003			108449	1799030
BOA-80-908-00-259	2112005			108453	1799052
BOA-80-908-00-329	2213014			108482	1799031
BOA-80-908-00-349	2112013			108483	1799032
BOA-80-926-00-059	2199005			108612	1713009
BOA-80-926-00-059	2199027			110180	1799018
BOA-80-926-00-079	2012006			110470	1714006
BOA-80-926-00-109	2118003			110600	1799036
BOA-80-926-00-219	2012007			110640	1714005
BOA-80-941-00-063	2299001			110650	1799005
BOA-80-945-00-079	2099002			150100	1614009
BOA-80-946-00-079	2313002			150101	1617005
BOA-80-946-00-099	2318004			151100	1614005
BOA-80-946-00-109	2312001			151270	1614008
BOA-85-430-71-009	1712004			151280	1614003
BOA-85-430-99-109	2412007			151290	1699004
BOA-85-440-50-009	1099063			151301	1613005
BOA-85-462-50-009	1099064			151303	1613001
BOA-85-471-77-009	1713007			151304	1613006
E0995	1812007			151307	1613002
E8617	1013012			151321	1614006
E8904	2113015			151326	1618002
E8905	2313004			151328	1614004
H098213	2112015			151331	1613003
HA2106	3118003			151336	1618005
HA4965	1812006			151338	1699005
HE3650	3112007			151339	1614007
HE9140	2113014			151346	1613007
HR0442001	1615012			151356	1699002
I91595	3112009			151368	1615003
L5977	2113011			151378	1615008
				151382	1699013

This listing shows parts that are similar in physical interchangeability and function. Cross reference lists should not be used as application guides. Please refer to the proper listing in the applications section for specific make and model recommendations.

BERGSTROM	
Bergstrom Number	Kysor Number
151385	1617009
151396	1615010
151457	1612002
151459	1630001
151488	1699009
160017	1530001
160041	1513004
160122	1514016
160132	1513022
160139	1518011
160144	1511005
160146	1511007
160151	1515004
160152	1515005
160161	1599101
160164	1599014
160165	1599015
160168	1512007
160198	1513028
201320	1099029
201330	1099074
201520	1099006
202230	1099072
202270	1075031
202280	1013006
202520	1099032
203020	1099033
203050	1099150
203061	1099047
203066	1099034
203067	1099050
203072	1099081
203076	1014003
203080	1099020
203088	1099051
203090	1099026
203092	1099075
203095	1018003
203113	1013005
203115	1014005
203132	1099007
203133	1099022
203134	1017003
203139	1099092
203142	1099094
203156	1099003
203168	1099013
203176	1011016

BERGSTROM	
Bergstrom Number	Kysor Number
203179	1099015
203186	1017001
203208	1099113
203211	1012009
203212	1099021
203213	1099023
203224	1015002
203233	1099052
203234	1099053
203235	1014006
203236	1014007
203249	1099012
203253	1099104
203255	1015006
203262	1099038
203268	1012010
203284	1011003
203299	1011014
203335	1011015
203336	1099048
203342	1099055
203356	1018006
203361	1017006
203363	1099070
203364	1099069
203368	1012016
203412	1099128
205620	1014002
205780	1099002
205830	1099088
205840	1099018
205853	1099025
444700	4399147
453082	4399136
454512	4099050
454587	4099054
454634	4099046
454635	4099044
454641	4099052
454642	4099053
454651	4099011
454691	4099070
454715	4099142
454724	4099021
454725	4099022
454738	4099023
454753	4099039
454754	4099038

BERGSTROM	
Bergstrom Number	Kysor Number
454758	4099037
454802	4099067
454873	4099024
454991	4099057
455322	4099143
464980	4399123
500088	3299042
500089	3299057
500091	3299052
500105	3275014
500108	3212005
500163	4399148
500169	4099003
500170	1299014
500172	2199055
500198	4099106
503100	2640795
507700	1199043
508300	1299013
510014	1199038
510026	1118001
510027	1113003
510035	1115003
510038	1199010
510041	1199001
510046	1199003
510047	1115001
510061	1117003
510103	1113001
510104	1199026
510114	1199047
510119	1299028
514100	4399109
515400	1199024
517010	2640798
518930	4399058
519703	1099097
519714	1075044
519715	1075048
520097	3199036
520152	4399053
520154	4399055
520155	4399054
520217	3113003
520271	4499098
520453	4475043
520512	4480001
520513	4480002



Bergstrom

This listing shows parts that are similar in physical interchangeability and function. Cross reference lists should not be used as application guides. Please refer to the proper listing in the applications section for specific make and model recommendations.

BERGSTROM		BERGSTROM		BERGSTROM	
Bergstrom Number	Kysor Number	Bergstrom Number	Kysor Number	Bergstrom Number	Kysor Number
520832	4480003	525803	3199054	525993	1401125
520939	4099144	525812	2599049	525994	1401127
525026	2599038	525823	2599047	525996	1401111
525047	2599041	525828	3199072	525997	1401117
525048	2599070	525836	3199064	526001	1407001
525169	3199035	525838	3199021	526002	1407002
525185	2599089	525856	1403001	526003	1407004
525209	3199041	525857	1403005	526005	1407005
525222	4399001	525858	1403015	526027	1403147
525226	2599018	525860	2999019	526035	1403126
525249	3113001	525864	3199073	526036	3199094
525259	3199052	525893	3199066	526038	1403166
525313	3199045	525899	1401123	526049	1401348
525335	2318002	525901	1401128	526051	1401330
525403	3199020	525908	3175008	526066	1401133
525406	3199027	525914	1401104	526078	2512007
525413	2599016	525916	1403004	526099	1910002
525414	2599017	525917	1403100	526103	1999013
525458	3199031	525927	1401116	526110	1999004
525459	3199032	525943	1403153	526112	1911013
525460	3199025	525944	1403161	526308	1403163
525462	2599080	525945	1403162	526335	3199095
525463	2599079	525950	1403158	526346	1403150
525507	3114001	525951	1403159	526347	1401136
525543	3113004	525952	1403101	526349	1401138
525588	2575024	525953	1403102	526354	3199065
525600	3199053	525954	1403103	526357	1401106
525606	3199033	525957	1403108	526364	1401109
525614	2599020	525958	1403112	526367	1401200
525615	2599015	525960	1403114	526368	1401201
525636	3199022	525963	1403119	526369	1401202
525674	2799202	525966	1403123	526372	1401204
525693	1401115	525968	1403125	526374	1401206
525696	1401332	525970	1403127	526376	1401208
525698	1401135	525971	1403128	526378	1401210
525712	1810003	525972	1403129	526381	1401212
525722	1401107	525973	1403130	526383	1401214
525723	1401108	525975	1403136	526386	1401217
525724	1401334	525976	1403137	526388	1401219
525728	1401400	525978	1403140	526395	1401225
525734	1401114	525979	1403141	526396	1401226
525742	1402002	525984	2499053	526397	1406006
525774	1401140	525987	1401118	526398	3199074
525776	3199068	525988	1401119	526403	3199078
525777	3199091	525989	1401122	526404	3199079
525784	3199030	525990	1401121	526407	3112009
525801	3199071	525991	1401120	526408	1403145
525802	3199055	525992	1401126	526409	1403146

This listing shows parts that are similar in physical interchangeability and function. Cross reference lists should not be used as application guides. Please refer to the proper listing in the applications section for specific make and model recommendations.

BERGSTROM	
Bergstrom Number	Kysor Number
526417	3199087
526426	3199018
526427	3199082
526428	1404028
526431	3199067
526434	1401339
526435	1401346
526437	1401347
526438	1401340
526439	1401341
526441	1401342
526443	1401344
526445	1401389
526448	3199069
526449	3199070
526459	1401433
526461	1401360
526477	3199076
526479	1401353
526481	1401354
526482	1401355
526483	1401356
526484	1401357
526486	1401359
526487	1401361
526488	1401362
526491	1401364
526492	1401365
526493	1401366
526494	1401367
526495	1401371
526496	1401373
526497	1401374
526498	1401375
526501	1401377
526502	1401378
526503	1401379
526504	1401380
526506	1401382
526507	1401383
526508	1401384
526511	1401386
526515	1401401
529800	1199008
529904	4099132
530006	3299037
530159	4399002
530262	2199098

BERGSTROM	
Bergstrom Number	Kysor Number
530263	2199099
530264	2199097
530286	2999005
530293	2599052
530300	2599053
530310	1099138
530319	2999030
530320	2999031
530321	2999032
530324	2999033
530325	2999034
530374	2999036
530376	2999037
530379	2630016
530380	2630005
530381	2630006
530382	2630007
530383	2630008
530384	2630009
530385	2630010
530386	2630011
530387	2630012
530388	2630013
530389	2630014
530390	2630015
530391	2999003
530392	2999004
530393	2999009
530404	2999041
530409	2999021
530412	2999026
530417	2999049
530420	2999051
530471	2999007
530472	2999006
530477	3099054
530496	2999013
530500	3212008
530504	2512003
530505	3112005
530506	3112006
530608	2999060
530609	2999061
530612	2999064
530631	3112001
530633	3113005
530634	2610009
530635	2610010

BERGSTROM	
Bergstrom Number	Kysor Number
530636	2610011
530637	2610012
530638	2610013
530674	2999075
530707	4099145
530718	4099012
530719	4099013
530724	4099014
530743	2999091
530747	3299050
530748	2199064
530749	2199065
530751	2599061
530752	1407034
530753	1407035
530754	1407036
530755	1407037
530756	1407038
530757	4399004
530793	2599069
530805	4099029
530818	2999085
530819	2999086
530821	2999093
530826	4099000
530835	2999015
530851	1899032
530947	3099042
530953	3099047
531005	3999114
531019	4099146
534100	2199021
534510	3114003
538700	1199049
540018	1899003
540021	1899005
540023	2413004
540024	2413003
540035	1817001
540047	4399003
540058	1899009
540059	1999009
540062	1999011
540085	2413006
540094	1999012
540104	1999029
540105	1999030
540115	1999034

Bergstrom

This listing shows parts that are similar in physical interchangeability and function. Cross reference lists should not be used as application guides. Please refer to the proper listing in the applications section for specific make and model recommendations.

BERGSTROM		BERGSTROM		BERGSTROM	
Bergstrom Number	Kysor Number	Bergstrom Number	Kysor Number	Bergstrom Number	Kysor Number
540121	1918001	540268	1810002	550326	2622403
540126	1919001	540294	2499045	550335	2620793
540131	1813002	540305	2499041	550341	2610005
540173	1899026	540306	2499042	550342	2610006
540175	1899008	540308	2411007	550367	2799201
540176	1813001	540309	2411001	550369	2799200
540185	1408002	540310	2499043	550385	2899030
540186	1408001	540364	1813008	550386	2899001
540189	1408017	540369	1899015	550387	2899002
540193	1408013	540371	1899014	550388	2899005
540194	1408014	540372	1899013	550389	2899024
540195	1408015	540373	2899026	550391	2899025
540196	1408016	540383	1812005	550392	1409012
540197	1408053	540388	1401325	550393	1409011
540198	1408054	540389	1401326	550394	2899004
540199	1408020	540391	1401327	550395	1409018
540205	1408027	540392	1401328	550396	1409017
540206	1408022	540393	1401329	550397	2899032
540207	1408023	540426	1919003	550398	2899033
540208	1408024	540427	2499144	550399	1409013
540209	1408025	540429	2199075	550401	1409016
540211	1408036	540454	1812006	550402	2899031
540212	1408037	540700	1299016	550403	2899028
540213	1408038	540900	3199047	550404	3212002
540214	1408034	542300	3199028	550414	2610777
540215	1408035	550030	2640804	550423	1408039
540216	1408030	550051	2650005	550424	1408040
540217	1408031	550053	2650004	550432	2899100
540218	1408045	550158	2650006	550453	2622651
540219	1408046	550159	2650007	550464	2621603
540221	1408043	550167	2640802	550465	2621604
540222	1408044	550182	2650001	550466	2621651
540223	1408047	550215	2650002	550467	2621652
540224	1408048	550216	2650003	550472	2621692
540225	1408051	550242	2622193	550473	2621693
540226	1408052	550252	1409005	550474	2621694
540227	1408049	550253	1409004	550482	2621606
540228	1408050	550273	2622551	550484	2621656
540229	1409008	550284	2899003	550486	2621696
540231	1409010	550285	2899006	550493	2899010
540235	1999022	550307	2610001	550496	2899014
540238	1914004	550308	2610002	550497	1409014
540241	1999213	550309	2610003	550501	2899015
540259	1408010	550310	2610004	550507	2899016
540260	1408009	550312	2621101	550508	2899029
540265	1811001	550321	2621192	550515	2640801
540266	1899002	550322	2621193	550557	2640796
540267	1899021	550324	2622401	550663	2632201

This listing shows parts that are similar in physical interchangeability and function. Cross reference lists should not be used as application guides. Please refer to the proper listing in the applications section for specific make and model recommendations.

BERGSTROM	
Bergstrom Number	Kysor Number
550664	2632206
550665	2632202
550666	2632207
550667	2632203
550668	2632208
550669	2632204
550671	2632501
550672	2632502
550673	2632503
550674	2632506
550675	2632504
550676	2632251
550677	2632256
550678	2632252
550679	2632257
550681	2632253
550682	2632258
550683	2632254
550684	2632291
550685	2632296
550686	2632292
550687	2632297
550688	2632293
550689	2632298
550691	2632294
550692	2632591
550693	2632592
550694	2632596
550695	2632593
550696	2632597
550697	2632594
550698	2632209
550699	2632402
550701	2632403
550702	2632406
550703	2632493
550704	2632494
550705	2632211
550706	2632212
550707	2632213
550708	2632214
550709	2631301
550711	2631302
550712	2631303
550713	2631306
550714	2631304
550715	2631391
550716	2631392

BERGSTROM	
Bergstrom Number	Kysor Number
550717	2631393
550718	2630901
550719	2630902
550721	2630903
550722	2630906
550723	2630907
550724	2630908
550725	2630909
550726	2630910
550727	2630701
550728	2630702
550729	2630703
550731	2630704
550732	2630791
550733	2630792
550734	2630793
550735	2630794
550736	2631596
550737	2631597
550738	2630721
550739	2630722
550741	2632210
550742	2632191
550743	2632196
550744	2632192
550745	2632193
550746	2632197
550747	2632151
550748	2632156
550749	2632152
550751	2632157
550752	2632153
550753	2632158
550754	2632101
550755	2632106
550756	2632102
550757	2632107
550758	2632103
550759	2632108
550761	2632104
550762	2632110
550763	2632111
550764	2632112
550765	2632299
550766	2631299
550767	2631209
550768	2632598
550769	2631201

BERGSTROM	
Bergstrom Number	Kysor Number
550771	2631206
550772	2631202
550773	2631203
550774	2631207
550775	2631204
550776	2631291
550777	2631296
550778	2631292
550779	2631297
550781	2631298
550782	2631294
550783	2631251
550784	2631256
550785	2631501
550786	2631502
550787	2631503
550788	2631506
550789	2631507
550791	2631591
550792	2631592
550793	2631593
550800	3199060
550938	2611295
550959	2640705
550966	2611205
550972	2499050
550975	2622705
550977	2614023
550978	2622706
550979	2622707
550980	2614022
550982	2614021
550992	2612101
550993	2612102
550994	2612103
550995	2612191
550996	2612192
550997	2612193
550998	2612194
551005	2612504
551011	2612211
551023	2612551
551025	2612553
551026	2612554
551038	2612212
551039	2612591
551042	2612594
551057	2611204

Bergstrom

This listing shows parts that are similar in physical interchangeability and function. Cross reference lists should not be used as application guides. Please refer to the proper listing in the applications section for specific make and model recommendations.

BERGSTROM		BERGSTROM		BERGSTROM	
Bergstrom Number	Kysor Number	Bergstrom Number	Kysor Number	Bergstrom Number	Kysor Number
551060	2611207	551187	2631293	551242	2632008
551066	2611154	551188	2632092	551243	2632052
551074	2611197	551189	2633094	551244	2632154
551086	2611304	551191	2630705	551245	2632301
551087	2611351	551192	2632216	551246	2632098
551088	2611352	551193	2632100	551247	2632304
551089	2611353	551194	2632094	551248	2632305
551090	2611391	551195	2632105	551249	2632552
551091	2611392	551196	2632561	551251	2632562
551094	2614025	551197	2631307	551252	2632053
551095	2614026	551198	2633802	551253	2632553
551101	2610901	551199	2632215	551254	2632054
551110	2612501	551201	2633803	551255	2632004
551112	1409007	551202	2632259	551256	2632558
551128	2614024	551203	2632303	551257	2632306
551131	4399131	551204	2632512	551258	2632255
551144	2611501	551205	2632557	551259	2632559
551145	2611502	551206	2632307	551261	2630912
551146	2611503	551207	2632059	551262	2632510
551147	2611504	551208	2632513	551263	2630913
551148	2611551	551209	2633891	551264	2630905
551149	2611552	551211	2632564	551265	2633801
551151	2611553	551212	2632095	551266	2632507
551152	2611554	551213	2633892	551267	2633893
551153	2611591	551214	2633093	551268	2630707
551154	2611592	551215	2633098	551269	2633898
551155	2611593	551216	2632514	551271	2630018
551156	2611594	551217	2630706	551272	2632509
551161	2610905	551218	2630708	551273	2632097
551166	2632218	551219	2633894	551274	2632302
551167	2630017	551221	2632505	551275	2632565
551168	2630019	551222	2632515	551276	2632566
551169	2630023	551223	2632051	551277	2632567
551171	2630020	551225	2632113	551278	2632109
551172	2630021	551226	2632056	551279	2632093
551173	2630022	551227	2632009	551282	2630904
551174	2630024	551228	2632007	551354	2899107
551175	2630025	551229	2632002	552500	2599043
551176	2630026	551231	2632219	557110	2599037
551177	2632560	551232	2632300	559506	4480004
551178	2630911	551233	2632114	560065	4099025
551179	2632511	551234	2632001	560101	4099082
551181	2632508	551235	2632295	560126	2600025
551182	2632563	551236	2632205	560127	2600026
551183	2631258	551237	2632055	560128	2600024
551184	2632091	551238	2632003	560145	2630001
551185	2632096	551239	2631252	560146	2630002
551186	2632099	551241	2632217	560147	2630003

This listing shows parts that are similar in physical interchangeability and function. Cross reference lists should not be used as application guides. Please refer to the proper listing in the applications section for specific make and model recommendations.

BERGSTROM	
Bergstrom Number	Kysor Number
560148	2630004
560218	3999008
560235	4099126
560246	3999148
563500	1199006
564200	2499145
564700	2799016
566300	1199044
570120	2799015
570140	4399068
570500	2199022
571040	1199045
571830	2599073
572440	3299046
572770	2799017
572980	1299017
573010	3199029
573260	2575004
575030	1199055
575080	1275005
575990	2599048
577830	3299029
580087	2799013
580088	2799020
580089	2799021
580091	2799023
580092	2799022
580093	2799025
580094	2799031
580095	2799098
580096	2799099
580097	2799100
580098	2799101
580099	2799102
580101	2799103
580103	2799095
580104	2799097
580106	1409002
580108	1409003
580112	2799014
580113	2799019
580114	2799018
580115	2799024
580116	2799026
580117	2799027
580118	2799028
580119	2799029
580121	2799030

BERGSTROM	
Bergstrom Number	Kysor Number
580123	2799115
580124	2799116
580125	2799117
580210	2799118
580277	2799032
580552	2899027
580553	2799105
580561	2799204
580563	2799206
580565	2799208
581520	1299037
581570	3199048
582790	3199044
584200	3199046
584210	3199050
584220	3299044
584230	3199049
585150	3299045
585410	2599056
585520	3299033
586970	3299030
587380	1299015
588060	3299031
589470	4399050
589490	2399006
589540	1199007
589620	2640800
589640	2799210
589660	2640797
589740	2599036
589790	4399005
589910	3299047
591510	3299049
591520	2114004
591530	4399045
591540	3299048
600115	4399126
600121	4399135
600157	4399167
600187	4099147
600283	4475044
604204	4099120
605001	4499132
610102	4099148
613100	4399081
619000	4475045
620280	4399125
622290	4399091

BERGSTROM	
Bergstrom Number	Kysor Number
630001	4399078
630049	4099133
630051	4399140
630057	4099149
630084	4399124
650086	2118001
650088	2118002
650117	2318001
650119	4475007
650149	2313001
650153	2099015
650163	2399009
650177	2013003
650179	2099004
650195	2313002
650199	1899038
650203	2213006
650263	2199091
650347	2399017
650364	1899018
650378	4399006
650418	2213009
650419	2299035
650436	2214004
650438	2199008
650441	2099005
650445	2299036
650448	2299033
650459	2599044
650465	2114007
650471	2112005
650475	2017001
650476	2399003
650477	2013004
650479	2299037
650482	1313005
650484	1312001
650485	1399027
650487	1399005
650496	1399004
650502	1399014
650511	2312001
650543	1399013
650544	1313006
650547	1313002
650593	2213010
650594	2213003
650606	2113002

Bergstrom

This listing shows parts that are similar in physical interchangeability and function. Cross reference lists should not be used as application guides. Please refer to the proper listing in the applications section for specific make and model recommendations.

BERGSTROM		BERGSTROM		BERGSTROM	
Bergstrom Number	Kysor Number	Bergstrom Number	Kysor Number	Bergstrom Number	Kysor Number
650607	2113001	651021	2212006	660320	2199063
650616	2213012	651027	2299031	660425	2199057
650622	2117004	651069	2011001	660430	2199058
650627	2299008	651071	2010010	660579	2199092
650629	2299010	651074	2010007	660706	4099100
650633	2299003	651106	2299100	660707	4099101
650642	2199023	651150	2099003	660715	4099152
650644	2199007	651154	2199061	660724	4099059
650645	2199006	651181	2199102	660746	2199062
650646	2299006	651184	2213014	660757	4399134
650647	2199009	651186	2013005	660762	2199076
650649	2399019	651187	2213013	660769	1399084
650656	4399149	651195	2199089	660778	4099103
650657	2199005	651203	2012005	660827	4099104
650661	2210001	651215	2199048	660829	2199101
650663	2299002	651225	4099075	670136	4099206
650668	2015003	651237	2112013	670137	4099201
650690	2099023	651238	2318004	710105	3399030
650712	2299104	651239	2118003	710139	3399068
650713	2299105	651244	2199042	740147	3314001
650731	2099002	651245	2199041	748040	3213003
650743	2218002	651251	4099170	756010	1299009
650790	2099006	651253	4480005	756330	1299022
650818	2218022	651263	2199073	756550	1299045
650823	2012006	651264	2399023	756600	1299010
650826	3899023	651266	2112015	756698	1299027
650849	2199037	651292	1399068	756702	1299026
650854	2399022	651318	4099072	756703	1299041
650869	2212001	651323	2217001	756713	1299039
650870	2212002	651324	2217002	756737	1299029
650871	2113003	651332	2212005	780017	3399026
650878	2399005	651333	2099025	782205	3399022
650882	2115004	651347	1399075	783122	4399114
650892	1399041	651383	4099091	791014	BSP00006HEAT12
650926	3899003	651386	3999019	792221	3399087
650947	2211007	651459	2010009	808810	3299032
650951	2199012	651462	4475046	808900	3299034
650954	2199019	651980	2199031	865140	2499068
650963	2199044	652090	2114002	866860	2499003
650966	1313008	652100	2114003	867266	4399017
650973	1312002	652420	2099013	867884	2018001
650974	1399008	652516	4480006	868013	1018002
650994	2199038	652518	4099171	868649	4099080
650995	2199039	652532	4099172	868693	4099064
651011	2012003	652541	4099150	868790	1099063
651013	2012007	652542	4099151	868820	2499002
651016	2112008	652544	4499003	868822	2499005
651017	2112002	652584	2199106	868823	2417001

This listing shows parts that are similar in physical interchangeability and function. Cross reference lists should not be used as application guides. Please refer to the proper listing in the applications section for specific make and model recommendations.

BERGSTROM		BERGSTROM		BERGSTROM	
Bergstrom Number	Kysor Number	Bergstrom Number	Kysor Number	Bergstrom Number	Kysor Number
869048	3299043	870224	4099068	1000021516	2313003
869058	2499069	870235	4099033	1000021519	2660005
869121	1407010	870236	4099027	1000021544	2660006
869158	1099116	870405	4099135	1000021564	2660007
869172	2499078	870513	4099043	1000021571	2660008
869187	2413005	870728	2499150	1000021585	2660009
869190	2499038	871218	1099127	1000021587	2660010
869191	2499044	871245	4099156	1000021649	2660011
869193	2499052	871303	4099111	1000021684	2660012
869223	1715008	871425	4099119	1000021705	2660013
869224	1615011	880014	3899007	1000021784	2660014
869281	2411003	880048	3699003	1000021905	2660015
869310	2499031	890050	1017004	1000021925	2660016
869350	1299002	890063	1013004	1000021964	2660017
869351	1299003	890067	1012006	1000021997	2660018
869352	1299004	890071	2199069	1000022005	2660019
869353	1299005	890072	2199027	1000022068	2660020
869367	1113002	890077	2599050	1000022073	2660021
869437	2799108	890096	1899022	1000022089	2660022
869445	1015007	890099	1013008	1000022105	2660023
869485	2499151	0910100060	0910100060	1000022107	2660024
869595	2412005	0912460000	BSP00033AC24	1000022164	2660025
869614	2410001	0912470000	BSP00034AC24	1000022508	2660026
869618	2410004	0912480000	BSP00034AC12	1000022514	2660027
869619	2411005	0912550000	BSP00028AC12	1000022519	2660028
869621	2411004	0912580000	BSP00029AC24	1000022524	2660029
869701	1099064	0912610000	BSP00028AC24	1000022565	2660030
869703	3899005	0990060000	BSP00017HVAC24	1000022604	2660031
869725	2499075	0990060002	BSP00010COND24	1000022607	2660032
869801	3475087	0990150000	BSP00017HVAC12	1000022610	2660033
869808	2414004	0990150002	BSP00010COND12	1000022612	2660034
869836	4099073	1000001784	2999097	1000022616	2660035
869852	1299006	1000001850	2999099	1000022623	2660036
869853	2412010	1000002042	2999102	1000022648	2660037
869855	2412007	1000002080	2999103	1000022704	2660038
869856	2418001	1000004716	3199084	1000022746	2660039
869858	2418003	1000004748	4480007	1000022748	2660040
869859	2799110	1000004842	1401426	1000022764	2660041
869893	2799107	1000004871	1401407	1000022767	2660042
869942	3475077	1000005192	4480008	1000022805	2660043
870001	4099125	1000007617	4099116	1000022807	2660044
870007	2499152	1000007618	4099117	1000022809	2660045
870059	4099045	1000007893	1914005	1000022811	2660046
870084	2414007	1000012572	3114002	1000022813	2660047
870143	4099017	1000014373	4099128	1000022815	2660048
870154	2499085	1000014440	4099124	1000022824	2660049
870188	4099041	1000021106	1812007	1000022864	2660050
870192	4099040	1000021465	2660004	1000022873	2660051

Bergstrom

This listing shows parts that are similar in physical interchangeability and function. Cross reference lists should not be used as application guides. Please refer to the proper listing in the applications section for specific make and model recommendations.

BERGSTROM		BERGSTROM		BERGSTROM	
Bergstrom Number	Kysor Number	Bergstrom Number	Kysor Number	Bergstrom Number	Kysor Number
1000022945	2660052	1000025694	2600021	1000039702	2312003
1000022947	2660053	1000025695	2600022	1000039703	2412013
1000022952	2660054	1000025696	2600023	1000040429	4099114
1000022954	2660055	1000028187	1401402	1000041921	4099121
1000023025	2660056	1000028212	1401403	1000042067	4099123
1000023045	4099130	1000032050	1401391	1000042346	1401399
1000023163	1401390	1000032066	1401392	1000042700	4480010
1000023425	2660057	1000033591	1099119	1000042815	4099122
1000023428	2660058	1000035854	4480009	1000043504	4099165
1000023433	2660059	1000036118	4399138	1000044188	1013009
1000023513	2660060	1000036148	1510020	1000044640	4475047
1000023520	2660061	1000036207	1515014	1000044881	4499029
1000023522	2660062	1000036217	1512010	1000046148	1099077
1000023527	2660063	1000036222	1512011	1000046149	1099090
1000023603	2660064	1000036526	1515016	1000046211	3399003
1000023624	2660065	1000036679	1517014	1000048500	4610001
1000023644	2660066	1000036686	1510018	1000049325	4099160
1000023646	2660067	1000036698	1511020	1000052427	1401404
1000023930	2660068	1000036702	1511018	1000052431	1401405
1000023934	2660069	1000039205	2712001	1000053526	4499099
1000023951	2660070	1000039326	2712002	1000053730	4480011
1000023967	2660071	1000039333	2712003	1000054715	4480012
1000023984	2660072	1000039445	2712004	1000055156	4480013
1000024004	2660073	1000039471	2712005	1000055164	4480014
1000024025	2660074	1000039483	2712006	1000058887	4480015
1000024109	2660075	1000039492	2712007	1000058888	4099173
1000024116	2660076	1000039629	2113009	1000059724	4480016
1000024118	2660077	1000039630	2113010	1000063838	4480017
1000024121	2660078	1000039634	3112010	1000063924	4099208
1000024174	2660079	1000039637	3112012	1000065444	1401406
1000024184	2660080	1000039639	3119001	1000067312	2099027
1000024213	2660081	1000039640	3118002	1000069813	4475017
1000025085	2660082	1000039641	3118003	1000071226	2499096
1000025095	2660083	1000039644	1019001	1000081604	1299036
1000025116	2660084	1000039646	1401396	1000086470	4099085
1000025135	4099138	1000039652	1401397	1000096864	4099131
1000025138	2660085	1000039661	1512015	1000098912	2313005
1000025384	2660000	1000039665	1512017	1000100467	2314002
1000025389	2660001	1000039668	1612011	1000102424	3399034
1000025392	2660002	1000039669	1612012	1000102444	3399055
1000025409	4099167	1000039681	1812008	1000103887	3199086
1000025426	2600017	1000039683	1812010	1000104565	3399035
1000025427	2600018	1000039685	1812011	1000111550	2999107
1000025428	2600019	1000039686	1712007	1000111552	2999108
1000025587	2600016	1000039688	1712008	1000111554	2999109
1000025651	2999105	1000039691	1712011	1000113415	4099166
1000025653	2999106	1000039696	1912014	1000117204	3399047
1000025693	2600020	1000039701	2312002	1000119844	1813007

This listing shows parts that are similar in physical interchangeability and function. Cross reference lists should not be used as application guides. Please refer to the proper listing in the applications section for specific make and model recommendations.

BERGSTROM		BERGSTROM		BERGSTROM	
Bergstrom Number	Kysor Number	Bergstrom Number	Kysor Number	Bergstrom Number	Kysor Number
1000122061	1818006	1000139297	1380005	1000141480	1401420
1000129489	4099140	1000139299	1380006	1000141608	1099122
1000129493	4099141	1000139302	1380007	1000141710	3399008
1000131687	4099174	1000139323	1410001	1000141715	3399049
1000132197	1099124	1000139472	1410002	1000141716	3399018
1000132208	1099080	1000139484	1410003	1000141718	3399050
1000132409	4499014	1000139507	1410004	1000142118	3399006
1000132411	4499013	1000139520	1410005	1000142119	3399007
1000132413	4499011	1000139528	1410006	1000142451	1017005
1000132642	1099040	1000139538	1410007	1000145382	1401428
1000132714	4099176	1000139546	1410008	1000145387	1401427
1000132749	BSP00021HEAT12	1000139553	1410009	1000145562	4480024
1000132989	4480018	1000139559	1410010	1000146182	1380008
1000133279	3399039	1000139564	1410011	1000146185	1380009
1000133405	4475048	1000139573	1410012	1000146188	1380010
1000134018	4099177	1000139585	1410013	1000147043	1380011
1000134043	1899031	1000139589	1410014	1000147058	1380012
1000134217	4475049	1000139598	1410015	1000147061	1380013
1000134248	4499005	1000139603	1410016	1000147063	1380014
1000134276	4480019	1000139609	1410017	1000147066	1380015
1000134338	4499006	1000139613	1410018	1000147636	1411014
1000134371	4499007	1000139617	1410019	1000147638	1411013
1000134376	4499008	1000139649	1410020	1000147640	1411015
1000134470	4480020	1000139654	1410021	1000147644	1411016
1000134635	4480021	1000139661	1410022	1000148892	4480025
1000135092	4480022	1000139664	1410023	1000149259	4480026
1000135581	3899017	1000139670	1410024	1000149435	4480027
1000136032	3399048	1000139678	1410025	1000149542	3899002
1000136418	1799038	1000139685	1410026	1000152034	1401429
1000137119	3199080	1000139692	1410027	1000153941	1099095
1000138752	4480023	1000139701	1410028	1000157101	1099101
1000138867	4499012	1000139705	1410029	1000161287	1517016
1000139124	1411001	1000141219	1401411	1000163318	1401432
1000139182	1411002	1000141227	1401408	1000163931	3699025
1000139187	1411003	1000141262	1401409	1000164653	1410031
1000139195	1411004	1000141276	1401421	1000164828	1410032
1000139207	1411005	1000141284	1401422	1000164831	1410033
1000139212	1411006	1000141300	1401413	1000164836	1410034
1000139223	1411007	1000141363	1401416	1000164846	1410035
1000139227	1411008	1000141380	1401414	1000164848	1410036
1000139230	1411009	1000141384	1401424	1000164860	1410037
1000139232	1411010	1000141389	1401425	1000164879	1410038
1000139235	1411011	1000141399	1401415	1000164889	1410039
1000139239	1411012	1000141413	1401423	1000164893	1410040
1000139242	1380001	1000141423	1401417	1000164941	1410041
1000139266	1380002	1000141434	1401418	1000164948	1410042
1000139278	1380003	1000141457	1401410	1000164960	1410043
1000139285	1380004	1000141478	1401419	1000164970	1410044

Bergstrom

This listing shows parts that are similar in physical interchangeability and function. Cross reference lists should not be used as application guides. Please refer to the proper listing in the applications section for specific make and model recommendations.

BERGSTROM		BERGSTROM		BERGSTROM	
Bergstrom Number	Kysor Number	Bergstrom Number	Kysor Number	Bergstrom Number	Kysor Number
1000165177	1410046	1000190324	4499032	1000222438	1017007
1000165208	1410047	1000192444	4099193	1000222667	1099121
1000165210	1410048	1000193499	4499036	1000222851	1717014
1000165249	1410049	1000193500	4499037	1000223168	1410060
1000165253	1410050	1000194015	3399036	1000223242	1410061
1000165263	1410051	1000194450	1401435	1000223277	1410062
1000165268	1410052	1000196564	3399037	1000223279	1410063
1000165277	1410054	1000197375	4480029	1000223285	1410064
1000165279	1410055	1000197772	2660003	1000223287	1410065
1000165304	1410056	1000198369	2499088	1000223290	1410066
1000165306	1410057	1000198469	2214003	1000223296	1410067
1000165315	1410058	1000198478	2214002	1000223305	1410068
1000165322	1410059	1000201343	3199034	1000223307	1410069
1000167211	4499010	1000202056	1299030	1000223319	1410070
1000168452	4475003	1000202057	1299025	1000223321	1410071
1000168631	4499100	1000202058	1299031	1000223327	1410072
1000168713	1713010	1000202059	1299001	1000223680	1099137
1000169770	4099158	1000206325	1717015	1000224260	3899015
1000169966	1099059	1000206429	2017002	1000224265	2599090
1000170160	3399054	1000206466	3117002	1000224619	4475052
1000170161	3399076	1000206510	2417003	1000224759	1401436
1000170295	1013007	1000207046	1717012	1000227092	1617011
1000171544	4499021	1000207213	1817005	1000227147	1813012
1000171683	4499022	1000207216	3117003	1000227606	1299038
1000171686	4499023	1000207781	2117007	1000230085	4475006
1000171688	4499024	1000208583	1299034	1000230326	4399133
1000173480	4099179	1000208584	1299035	1000230381	4475001
1000173812	4499033	1000211353	2799223	1000230491	4475009
1000174251	4099188	1000213230	1617015	1000230502	4475004
1000174286	4099180	1000213241	1617013	1000230607	3399040
1000174296	4475050	1000213242	1617014	1000230729	4475005
1000174302	4475051	1000213522	4399007	1000230739	4475012
1000175449	4480028	1000213961	4499038	1000230792	4420001
1000175537	4099181	1000214467	4499040	1000233458	2799219
1000176050	4499015	1000214510	4499041	1000233633	1299040
1000176058	4499016	1000214538	4499103	1000234546	4475026
1000176060	4499017	1000215106	4475018	1000234548	4475024
1000176617	4099182	1000215256	4475019	1000234558	4475025
1000176618	4099183	1000215304	4475020	1000234566	4475027
1000177227	4499018	1000216951	1799045	1000234569	4475028
1000177230	4499019	1000220144	1717013	1000235371	4475053
1000177374	4499020	1000220149	3117001	1000235880	2499087
1000182193	1075005	1000220539	3199088	1000235938	4475029
1000183201	4475023	1000220907	1099120	1000235954	4475054
1000184211	4475013	1000220925	3299053	1000235958	4475030
1000185196	4499101	1000220926	3299054	1000236036	4475055
1000186017	4499102	1000220929	1099130	1000236361	4475037
1000186314	3199081	1000220935	2499146	1000236384	4475031

This listing shows parts that are similar in physical interchangeability and function. Cross reference lists should not be used as application guides. Please refer to the proper listing in the applications section for specific make and model recommendations.

BERGSTROM		BERGSTROM		BERGSTROM	
Bergstrom Number	Kysor Number	Bergstrom Number	Kysor Number	Bergstrom Number	Kysor Number
1000236388	4475032	1000264808	2099019	1000303297	2075008
1000236401	4475033	1000265225	4480034	1000304978	1075043
1000236644	4420002	1000266484	4499104	1000304979	1075046
1000236697	4420003	1000269790	4499105	1000304980	1075047
1000236701	4420004	1000270409	3699033	1000305585	1517018
1000236731	4420005	1000270666	3699034	1000305593	1517019
1000236773	4420006	1000270699	3699035	1000305603	1514025
1000236777	4420007	1000277210	1613012	1000305617	1517020
1000236898	4475034	1000278423	4499043	1000305619	1513033
1000237424	4480030	1000278426	4499044	1000305690	1517021
1000239130	1410073	1000278445	4499106	1000305692	1519005
1000241452	2799220	1000278662	2499110	1000306913	1099125
1000243510	4475056	1000279362	1517017	1000309203	4099199
1000243534	4480031	1000279367	1515019	1000309205	4099198
1000246795	2214006	1000280748	4100006	1000309829	4499109
1000247629	4480032	1000280749	4100005	1000310183	1999215
1000247777	4475057	1000281228	1999212	1000310659	3175011
1000247778	4475058	1000281467	BSP00007AC12	1000311715	2213016
1000247779	4475059	1000281468	BSP00007AC24	1000313234	4480046
1000250287	2213017	1000282660	4099194	1000315710	4499054
1000250288	2213007	1000283360	4480038	1000319442	4480047
1000250290	2299101	1000283361	4480039	1000319816	4480048
1000251422	4499039	1000283405	4480040	1000319890	4480049
1000255724	1099054	1000283713	4480041	1000320003	4480051
1000255753	2599068	1000283836	2017003	1000320099	4499090
1000255856	3699031	1000283926	2099022	1000320112	BSP00009COND12
1000257387	3199092	1000285448	4420009	1000320113	1575028
1000257830	BSP00003HVAC12	1000289796	BSP00012AC12	1000320149	4480052
1000257831	BSP00003HVAC24	1000289798	BSP00012AC24	1000320182	4480053
1000258346	3380020	1000289799	BSP00015AC12	1000320398	4499055
1000258348	BSP00018HEAT24	1000290203	4480042	1000320402	4499056
1000258349	BSP00002HVAC12	1000290774	1775018	1000320709	4499094
1000258352	BSP00008AC12	1000290933	4480043	1000321264	4480054
1000258354	BSP00008AC24	1000293121	2499126	1000321333	1099118
1000258376	BSP00002HVAC24	1000293541	1817003	1000322061	1410074
1000258378	3380015	1000293542	1817004	1000323248	4499057
1000258379	BSP00015HEAT12	1000293648	3475096	1000323252	4499058
1000258381	BSP00015HEAT24	1000295771	4099197	1000324672	4499085
1000258382	BSP00016HEAT12	1000298166	BSP00035AC12	1000326620	1299046
1000258383	BSP00016HEAT24	1000298167	BSP00035AC24	1000327205	BSP00005COND24
1000258386	BSP00016HVAC12	1000299400	1675026	1000327206	BSP00003COND12
1000258387	BSP00016HVAC24	1000299598	1713013	1000327207	BSP00003COND24
1000258578	BSP00039AC12	1000300319	4499107	1000327208	BSP00004COND12
1000258579	BSP00039AC24	1000301987	2640799	1000327209	BSP00004COND24
1000258580	BSP00009AC12	1000302018	4499108	1000328470	1799072
1000258581	BSP00009AC24	1000303265	2075005	1000328916	2499141
1000259751	3699032	1000303268	2075006	1000330683	1999268
1000259983	1914006	1000303295	2075007	1000331105	3112007

Bergstrom

This listing shows parts that are similar in physical interchangeability and function. Cross reference lists should not be used as application guides. Please refer to the proper listing in the applications section for specific make and model recommendations.

BERGSTROM		BERGSTROM		BERGSTROM	
Bergstrom Number	Kysor Number	Bergstrom Number	Kysor Number	Bergstrom Number	Kysor Number
1000332145	3275016	1000348350	2412015	1000399625	2499112
1000332433	1999210	1000348371	2499115	1000400456	4499079
1000333133	1075056	1000348812	1075049	1000405923	4475060
1000333134	1075057	1000348813	1075050	1000406312	2499118
1000335550	1000335550	1000349946	2614162	1000409989	2499114
1000335581	2217003	1000349985	2614174	1000416160	2499125
1000337343	2313007	1000352807	1817008	1000416182	2640803
1000338252	4480055	1000353878	1812012	1000416685	4499077
1000338254	4480056	1000354410	4075005	1000417503	2799211
1000338401	2499091	1000354433	1618011	1000417507	2799212
1000338797	4099200	1000355817	1817007	1000426050	1017008
1000338858	1575026	1000356768	1012015	1000426128	1099135
1000338859	4399012	1000359209	1575027	1000426134	2199105
1000338957	1575025	1000360349	1099306	1000427320	1013011
1000338961	4399011	1000360822	4499075	1000431722	2499130
1000339434	4499064	1000360826	4499076	1000431925	1613009
1000339437	4499065	1000365408	3399082	1000432007	4480063
1000341665	4480058	1000365409	3399033	1000435998	4480064
1000341855	4480059	1000365411	3399023	1000439603	4499092
1000342516	4475041	1000365412	3399024	1000449225	1410075
1000342540	4099203	1000365536	4399010	1000449459	1410076
1000342648	1099030	1000368102	1099305	1000449466	1410077
1000343377	3175012	1000368104	1099308	1000449494	1410080
1000344217	1075053	1000368705	2475010	1000449647	1410082
1000344278	1075054	1000369535	2599092	1000449700	1410083
1000344810	4399130	1000369918	1713006	1000449706	1410084
1000345640	2212004	1000370193	3299064	1000449708	1410085
1000345678	4480060	1000371097	1299043	1000449713	1410086
1000346059	2499120	1000371883	2499129	1000449717	1410087
1000346064	2499108	1000371990	3175014	1000451085	1410088
1000346073	2499107	1000372628	4499137	1000451925	2499101
1000346090	2499154	1000373392	2499113	1000457316	4480065
1000346164	2499127	1000373395	2499111	1000463486	1817009
1000346601	2499133	1000373641	2499119	1000468662	4480066
1000346774	2499134	1000373933	2499099	1000470426	4499110
1000346836	2499117	1000373961	2499097	1000472099	2499102
1000346874	2414008	1000374244	4399015	1000472151	4480067
1000346876	2499156	1000377050	4499138	1000475369	1712012
1000347081	2275010	1000377684	3175013	1000475372	1515021
1000347338	2499098	1000378282	1813015	1000475399	1615012
1000347603	2499153	1000381584	1401437	1000475570	3399057
1000347886	4499088	1000383410	4480061	1000475571	3399058
1000348024	2499155	1000383458	4480062	1000475572	3399061
1000348132	2499123	1000386862	4099202	1000475573	3399091
1000348304	2499105	1000388483	4499078	1000475574	3399059
1000348310	2499124	1000390653	4499095	1000475575	3399009
1000348325	2499121	1000391191	2499100	1000475576	3399060
1000348343	2499128	1000391445	2499109	1000477176	2113015

This listing shows parts that are similar in physical interchangeability and function. Cross reference lists should not be used as application guides. Please refer to the proper listing in the applications section for specific make and model recommendations.

BERGSTROM		BERGSTROM		BERGSTROM	
Bergstrom Number	Kysor Number	Bergstrom Number	Kysor Number	Bergstrom Number	Kysor Number
1000477193	1013012	1000532147	3099069	1000600418	1410100
1000477197	1013013	1000532206	3099070	1000600468	1410101
1000477283	2113012	1000532211	3099071	1000600490	4499121
1000477330	2113013	1000532215	3099072	1000600492	1410102
1000477332	2113014	1000532221	3099073	1000600494	4499122
1000477478	1613010	1000533723	1614010	1000600506	4499123
1000477479	1613011	1000534258	1814005	1000600510	4499124
1000477612	1813013	1000537625	1401440	1000600585	1410104
1000477644	1813014	1000541645	BSP0001THERM12V-E	1000600588	1410105
1000477648	1713012	1000542816	4499116	1000611575	4499087
1000477649	1913012	1000554489	1999220	1000617101	1517008
1000477653	2313004	1000555333	4399132	1000617152	1512002
1000477668	1511023	1000555432	2113011	1000617180	1513001
1000477674	1818007	1000561929	0911190000	1000617199	1518009
1000488420	2499116	1000561932	BSP00001AC24	1000617204	1513032
1000488771	1575029	1000564554	4499091	1000617240	1511019
1000493450	4475066	1000568515	BSP00031AC12	1000617672	1814003
1000494960	BSP00014COND12	1000568517	BSP00032AC24	1000619405	1717016
1000494968	BSP00014COND24	1000570413	2499132	1000620157	4480075
1000513101	2499131	1000570789	4480069	1000622970	1999221
1000513845	4499111	1000571136	4480071	1000623836	4480076
1000514147	BSP00015COND12	1000579313	4480073	1000623977	4399139
1000514278	BSP00015COND24	1000579951	4480074	1000624015	1517015
1000515005	1099311	1000580123	4475067	1000624303	1514022
1000518246	4499112	1000580166	4475068	1000624329	1517011
1000518602	4499113	1000592062	4499117	1000624505	2013007
1000518711	1401438	1000593039	2113005	1000624642	1518010
1000521260	3399056	1000593040	2113007	1000625091	1514017
1000522984	4499082	1000593041	2199072	1000625138	4480077
1000523006	4499083	1000593042	2118004	1000625142	1513008
1000524237	4499114	1000593043	2117005	1000625201	1513007
1000524737	4499115	1000593044	2115003	1000625337	1513027
1000525725	4499084	1000593045	2117006	1000625364	1515006
1000526865	1099312	1000593046	2417002	1000626370	1515015
1000530615	3099055	1000593047	2199066	1000626391	1515017
1000530630	3099056	1000593048	2199067	1000626822	1519003
1000530645	3099057	1000595117	BSP00032AC12	1000626828	1514024
1000530647	3099058	1000599876	1410091	1000626834	1512025
1000530681	3099059	1000599881	1410092	1000630776	4480078
1000530943	3099060	1000599898	1410093	1000630781	4480079
1000531021	3099061	1000600076	1915005	1000630952	4480080
1000531386	3099062	1000600333	1410094	1000631209	4480081
1000531390	3099063	1000600336	1410095	1000634446	2499142
1000531455	3099064	1000600348	1410097	1000635554	1799066
1000531458	3099065	1000600393	1410099	1000638620	4499096
1000531902	3099066	1000600400	4499118	1000638780	4480082
1000531951	3099067	1000600403	4499119	1000641929	4480083
1000532111	3099068	1000600407	4499120	1000646415	4499141

Bergstrom

This listing shows parts that are similar in physical interchangeability and function. Cross reference lists should not be used as application guides. Please refer to the proper listing in the applications section for specific make and model recommendations.

BERGSTROM		BERGSTROM		BERGSTROM	
Bergstrom Number	Kysor Number	Bergstrom Number	Kysor Number	Bergstrom Number	Kysor Number
1000647960	4499149	1000726732	091132C021	1000735601	1752050000
1000679144	4480084	1000726761	091132C004	1000737601	1108100015
1000682010	4499142	1000726768	0911320044	1000737610	1108100014
1000682164	4480085	1000726778	091087C006	1000737692	1108100013
1000694101	4499143	1000726794	091132C010	1000737696	1108100012
1000694282	1099146	1000726802	091087C120	1000737704	0912420003
1000699298	1515018	1000726878	091087C121	1000737707	091136C003
1000699299	1513011	1000730074	091132C019	1000738115	091243C002
1000699300	1515013	1000731366	091148C002	1000738246	1741030000
1000699301	1518006	1000731441	091096C012	1000741843	0910870123
1000699302	1515002	1000732866	091148C004	1000742326	091136C011
1000699303	1514007	1000733054	091096C009	1000743029	4480087
1000699304	1599011	1000733077	0911480035	1000749149	4499089
1000699305	1512003	1000733097	091148C005	1000755681	2113016
1000699306	1512005	1000733104	091096C004	1000761785	3899027
1000699307	1515003	1000733119	091096C005	1000761801	3399064
1000699308	1519004	1000733174	091148C019	1000762020	3399063
1000699309	1513017	1000733433	0911140003	1000776664	4099207
1000699311	1513019	1000733450	091096C010	1000812426	1913011
1000699312	1512001	1000733603	0911480036	1000812940	BSP00025AC12
1000699314	1518012	1000733618	091096C006	1000813036	BSP00014HVAC12
1000699317	1512004	1000733661	091096C008	1000813037	BSP00026AC12
1000699318	1518008	1000733734	0910960050	1000813038	BSP00014HVAC24
1000699320	1517012	1000734147	1753010000	1000813039	BSP00026AC24
1000711999	1401442	1000734292	1108100007	1000813400	BSP00013Heat12
1000712039	2414011	1000734297	1108100008	1000814235	BSP00013Heat24
1000712258	1401443	1000734302	160003000M	1000814236	BSP00025AC24
1000712509	1401444	1000734305	160007000M	1000824748	4480090
1000712527	1401445	1000734308	0911980001	1000829892	4499148
1000712782	1401446	1000734312	0911860021	1000830137	4480091
1000712791	1401447	1000734318	1741330000	1000841164	3113006
1000712793	1401448	1000734350	091097C002	1000841644	1914012
1000713079	3399086	1000734402	1212210000	1000841699	3199085
1000715576	2499137	1000734748	1212150000	1000842320	4499093
1000721728	091099C004	1000734810	4480086	1000852590	4480093
1000723233	091135C002	1000735110	1211670000	1000859546	4480095
1000723346	0911480013	1000735113	1265500000	1000859547	4480096
1000723369	091099C002	1000735133	1749310000	1000860729	2099026
1000723395	091135C003	1000735140	1749010000	1000860818	2514003
1000723407	091132C020	1000735297	091136C028	1000864021	4499144
1000724685	1213070000	1000735299	091136C014	1000869584	4480097
1000724741	0911350030	1000735303	091136C006	1000870943	1412001
1000724757	091135C007	1000735321	1212990049	1000870952	1412002
1000724772	2499157	1000735356	091136C012	1000871120	1412003
1000724780	091087C021	1000735368	091136C022	1000871127	1412004
1000724800	0911480012	1000735541	091242C006	1000871141	1412005
1000724811	091087C027	1000735551	091243C001	1000871516	1412006
1000724838	0910520036	1000735599	3117004	1000872142	1412007

This listing shows parts that are similar in physical interchangeability and function. Cross reference lists should not be used as application guides. Please refer to the proper listing in the applications section for specific make and model recommendations.

BERGSTROM	
Bergstrom Number	Kysor Number
1000872619	1412008
1000872633	1412009
1000872650	1412010
1000872711	1412011
1000873017	2199077
1000873023	2199095
1000873169	1412012
1000873174	1412013
1000873181	1412014
1000875777	2599057
1000875779	2599009
1000875782	2599072
1000875788	2599075
1000875789	2599071
1000875790	2599002
1000875791	2599060
1000875793	2599059
1000875795	2599062
1000875801	2599045
1000876272	2599091
1000876274	2599004
1000876664	2499140
1000885781	1513029
1000898585	1000898585
1000898591	1000898591
1000913767	4480098
1000921338	3699055
1000921339	3699054
1000925126	2599006
1000925194	2599088
1000925201	2599087
1000925735	2012001
1000927678	2099029
1000927737	4499126
1000943151	1199056
1000947181	4480099
1000947229	4480100
1000948056	1075058
1000948074	2275011
1000948088	4399146
1000948098	2275005
1000948099	2275013
1000948100	2299108
1000948101	2275012
1000948102	2275001
1000948225	4480101
1000948595	1275007
1000954752	1018009

BERGSTROM	
Bergstrom Number	Kysor Number
1000988616	BSP00001DRAIN KIT
1000988618	BSP00002DRAIN KIT
1001004144	BSP00005PANEL KIT
1001004175	BSP00001PANEL KIT
1001004181	BSP00002PANEL KIT
1001011863	4499129
1001013603	BSP00006MOUNT KIT
1001013646	BSP00003MOUNT KIT
1001015619	BSP00003PANEL KIT
1001015620	BSP00004MOUNT KIT
1001015622	BSP00005MOUNT KIT
1001016645	4475070
1001019333	BSP00022HEAT 24
1001019452	BSP00023HEAT 24
1001029190	BSP00023HEAT 12
1001029191	BSP00022HEAT 12
1001029579	4499147
1001044338	1099163
1001049888	2414012
1001053396	1914010
1001053427	1914011
1001054992	2414010
1001060285	4499131
1001070398	1999040
1001070476	4499150
1001115975	4499097
1001116114	4480092
1001142371	1299047
1001157329	BSP00001CONPAN
1001159300	BSP00007CONPAN
1001161239	BSP00004PANEL KIT
1001161278	BSP00006PANEL KIT
1001165354	BSP00002CONPAN
1001166439	BSP00006CONTROL
1001169362	BSP00043AC12
1001178614	3699056
1001181161	4399143
1001188179	1512032
1001191534	BSP00003CONPAN
1001202089	1403167
1001202121	1403168
1001202129	1403169
1001202138	1401464
1001202145	1401465
1001202146	1401472
1001202155	1401478
1001202157	1401481
1001202158	1401482

BERGSTROM	
Bergstrom Number	Kysor Number
1001203445	BSP00036AC12
1001203767	BSP00036AC24
1001216705	1099152
1001216759	1099153
1001220529	1299048
1001225142	BSP00040AC24
1001225145	BSP00040AC12
1001229584	BSP00006CONPAN
1001229640	BSP00005CONPAN
1001247898	1401333
1001248560	3399090
1001249362	1401450
1001249396	1401451
1001249397	1401452
1001249398	1401453
1001249413	1401454
1001249654	1401455
1001249657	1401456
1001249675	1401457
1001249678	1401458
1001249681	1401459
1001249691	1401460
1001250650	1401461
1001250666	1401462
1001250668	1401463
1001250669	1401466
1001255095	1401467
1001256639	1401468
1001256651	1401469
1001256652	1401470
1001256654	1401471
1001256914	1401473
1001256916	1401474
1001256924	1401475
1001256934	1401476
1001256936	1401477
1001256940	1401479
1001256943	1401480
1001257187	1401483
1001257497	1401484
1001257800	1401485
1001257801	1401486
1001257812	1401488
1001257815	1401489
1001259568	1401490
1001259573	1401491
1001259621	1401492
1001259657	1401493

Bergstrom

This listing shows parts that are similar in physical interchangeability and function. Cross reference lists should not be used as application guides. Please refer to the proper listing in the applications section for specific make and model recommendations.

BERGSTROM		BERGSTROM		BERGSTROM	
Bergstrom Number	Kysor Number	Bergstrom Number	Kysor Number	Bergstrom Number	Kysor Number
1001259664	1401494	1001287300	2190003	1001338270	2614015
1001259821	1401495	1001291398	BSP00007HVAC12	1001338290	2614016
1001260067	2600005	1001292239	BSP00010AC24	1001338301	2614017
1001260070	2600006	1001293463	BSP00007HVAC24	1001338564	2614018
1001260075	2600007	1001293476	BSP00010AC12	1001338581	2614019
1001260076	2600008	1001301750	BSP00013COND12	1001338620	2614020
1001264886	1401496	1001306141	3112014	1001339376	BSP00002PIPWRKIT24
1001264912	1999223	1001320795	1401519	1001339384	BSP00003PIPWRKIT12
1001264936	1999224	1001321603	1401497	1001339389	BSP00024AC12
1001264973	1899040	1001321633	1401498	1001339415	BSP00024AC24
1001265736	1099151	1001321743	1401513	1001341296	1099155
1001266498	BSP00044AC12	1001321790	1401499	1001342517	1099156
1001266966	1013015	1001321949	1401501	1001344578	BSP00011AC12
1001267266	3699046	1001321953	1401502	1001344705	4610015
1001267648	3699047	1001321969	1401504	1001345260	1512027
1001268625	2191001	1001321977	1401505	1001345326	1512028
1001268654	2191002	1001322000	1401507	1001345354	1512029
1001269111	2191003	1001322225	1401508	1001345359	1512030
1001269115	2191004	1001322595	1401520	1001345364	1514026
1001269120	2191005	1001322606	1401518	1001345379	1513034
1001269123	2191006	1001322611	1401509	1001345408	1513035
1001269129	2191007	1001322624	1401503	1001347506	4610004
1001269136	2191008	1001322633	1401500	1001347814	4610005
1001269143	2191009	1001322640	1401510	1001347830	4610003
1001269150	2191010	1001323186	1401511	1001355517	4610010
1001272224	2118005	1001323189	1401512	1001356228	1407042
1001272236	2018006	1001323198	1401331	1001363523	1075059
1001272237	3699051	1001323211	1401521	1001364260	4610011
1001272970	3115001	1001323217	1401514	1001367466	4610012
1001273785	3699049	1001323224	1401515	1001374173	1401523
1001275104	3699052	1001323228	1401522	1001380162	BSP00046AC24
1001275250	3699050	1001323229	1401516	1001380164	BSP00046AC12
1001275456	4430007	1001325373	3699048	1001380740	BSP00001HARNES
1001275465	4430003	1001325385	4610002	1001381931	2191026
1001275466	4430008	1001326527	2660086	1001381981	BSP00005CONHAR
1001275785	1515022	1001327176	2660087	1001384786	1401525
1001275789	1718009	1001327190	2660088	1001396391	2191012
1001276271	4430006	1001329268	1099158	1001396392	2191013
1001276274	4430001	1001330147	3620010	1001396393	2191014
1001276276	4430002	1001330451	3620008	1001396394	2191015
1001276498	2418004	1001330466	3620009	1001396395	2191016
1001276502	1618012	1001330470	3699041	1001396396	2191017
1001276615	1818008	1001330814	BSP00003CONTROL	1001396397	2191018
1001276674	1015009	1001330818	BSP00004CONTROL	1001396399	2191019
1001276682	1715009	1001335096	2799222	1001396401	2191020
1001276927	1612018	1001337624	2614012	1001396403	2191021
1001278658	3475099	1001337674	2614013	1001397464	BSP00002CONHAR
1001287118	2090001	1001337875	2614014	1001397759	2191022

This listing shows parts that are similar in physical interchangeability and function. Cross reference lists should not be used as application guides. Please refer to the proper listing in the applications section for specific make and model recommendations.

BERGSTROM	
Bergstrom Number	Kysor Number
1001398381	1814004
1001398815	BSP00011AC24
1001400134	1440001
1001400136	1440002
1001400139	1440003
1001401315	4610017
1001401792	2099028
1001404188	3399093
1001404190	3399092
1001404629	1812013
1001404667	BSP00001CONHAR
1001404710	BSP00006CONHAR
1001404882	BSP00003CONHAR
1001404954	BSP00004CONHAR
1001405000	BSP00010CONHAR
1001405115	BSP00007CONHAR
1001405220	BSP00009CONHAR
1001405318	BSP00008CONHAR
1001407317	2191027
1001410921	1441001
1001410931	1441002
1001410935	1441003
1001411188	4499151
1001412708	2191028
1001415185	2191029
1001421396	4399151
1001421401	4399152
1001424120	1599105
1001424429	1599106
1001424439	1599107
1001424516	1599108
1001425658	1599109
1001425697	1599110
1001425996	4399153
1001426003	4399154
1001426045	4399155
1001426077	4399156
1001426080	4399157
1001426166	2191030
1001429553	1099157
1001429706	1915002
1001430185	4610027
1001430403	4399159
1001430526	4610026
1001430611	4399162
1001430633	4399163
1001430644	4399164
1001430645	4399165

BERGSTROM	
Bergstrom Number	Kysor Number
1001430862	3099074
1001430864	3099075
1001433313	1599111
1001435540	4399166
1001435548	1599130
1001435549	1599131
1001435551	1599112
1001435561	1599113
1001439657	1617017
1001441083	1599114
1001441086	1599115
1001441145	1599116
1001441184	1599117
1001441286	1599118
1001441301	1599119
1001441348	1599120
1001441438	1599121
1001441441	1599122
1001441668	1599123
1001441725	1599124
1001441889	1599125
1001441893	1599126
1001441896	1599127
1001441901	1599128
1001441986	1599129
1001441991	1512031
1001442354	4610018
1001443376	1899041
1001443378	3630004
1001443384	1899042
1001443386	4610021
1001443390	4610020
1001443391	1814006
1001443393	4099209
1001443469	1899043
1001443575	4099210
1001443769	1817010
1001443771	1899044
1001443774	1813016
1001443777	1813017
1001443780	1899045
1001443787	1817011
1001443791	1899046
1001443793	1814007
1001443794	1899047
1001443802	1813018
1001443803	1813019
1001443807	1899048

BERGSTROM	
Bergstrom Number	Kysor Number
1001443809	1899049
1001443810	1899050
1001445585	1899051
1001445622	1899052
1001445635	1899053
1001445645	1899054
1001445648	1812014
1001447917	3630002
1001448060	1899055
1001448066	1815001
1001448075	1899056
1001449645	1899057
1001449683	1899058
1001450297	1912020
1001450357	1912021
1001450363	1912022
1001450386	1912023
1001450393	1912024
1001450396	1912025
1001450408	1912026
1001450425	1912027
1001450426	1912028
1001450427	1912029
1001450629	1913013
1001450631	1913014
1001450636	1913015
1001450645	1913016
1001450661	1913017
1001451454	1914013
1001451771	1914014
1001451776	1915008
1001451908	1915009
1001451952	1915010
1001451954	1999225
1001451959	1917008
1001452021	1914015
1001452027	1917009
1001452028	1917010
1001452029	1918008
1001452030	1918009
1001452031	1999226
1001452033	1975007
1001452034	1999227
1001452040	1975008
1001452318	1914016
1001452327	1999228
1001452332	1999229
1001452336	1999230

Bergstrom

This listing shows parts that are similar in physical interchangeability and function. Cross reference lists should not be used as application guides. Please refer to the proper listing in the applications section for specific make and model recommendations.

BERGSTROM		BERGSTROM		BERGSTROM	
Bergstrom Number	Kysor Number	Bergstrom Number	Kysor Number	Bergstrom Number	Kysor Number
1001452347	1999231	1001457851	2670009	1001461145	3699042
1001452354	1999232	1001457852	2670010	1001465094	1812016
1001452355	1999233	1001457853	2670011	1001465610	1899062
1001452358	1999234	1001457854	2670012	1001465619	1899063
1001452359	1999235	1001457855	2670013	1001465631	1818009
1001452361	1999236	1001457856	2670014	1001465632	1899064
1001452365	1999237	1001457857	2670015	1001465636	1812017
1001452367	1999238	1001457859	2670016	1001465651	1899065
1001452390	1999239	1001457860	2670017	1001465653	1812018
1001452400	1999240	1001457861	2670018	1001465656	1817015
1001452409	1999241	1001457862	2670019	1001465658	1817016
1001452410	1999242	1001457863	2670020	1001465659	1813020
1001452413	1999243	1001457868	2670021	1001465662	1814008
1001453083	1999244	1001457869	2670022	1001465663	1817017
1001453089	1999245	1001457870	4610008	1001468089	1812019
1001453097	1999246	1001458217	2670023	1001468090	1812020
1001453100	1999247	1001458219	2670024	1001468091	1817018
1001453409	1999248	1001458220	2670025	1001468093	1899066
1001453414	1999249	1001458226	2670026	1001469985	3730001
1001453420	1999250	1001458233	2670027	1001470135	3730002
1001453423	1999251	1001458249	2670028	1001470424	3730003
1001453427	1999252	1001458250	2670029	1001470557	3730004
1001453429	1999253	1001458251	2670030	1001470569	3730005
1001453433	1999254	1001458255	2670031	1001470571	3730006
1001453454	1999255	1001458257	2670032	1001470637	3730007
1001453455	1999256	1001458258	2670033	1001470639	3730008
1001453456	1999257	1001458259	2670034	1001470640	3730009
1001453457	1999258	1001458260	2670035	1001470643	3730010
1001453752	1999259	1001458283	2670036	1001470748	3730011
1001453758	1999260	1001458288	2670037	1001470749	3730012
1001453765	1999261	1001458290	2670038	1001470752	3730013
1001453768	1999262	1001458292	2670039	1001470754	3730014
1001453773	1999263	1001458293	2670040	1001470761	3730017
1001453775	1999264	1001458294	2670041	1001470772	3730018
1001453776	1999265	1001458299	2670042	1001470775	3730019
1001453777	1999266	1001458301	2670043	1001470778	3730020
1001453778	1999267	1001458303	2670044	1001478794	1917001
1001453935	4610028	1001458305	2670045	1001478797	1919002
1001455864	3720001	1001458308	2670046	1001478801	1999005
1001455868	4610007	1001458310	2670047	1001478804	1999037
1001457683	2670001	1001458311	2670048	1001478811	1999269
1001457686	2670002	1001458313	2670049	1001479502	1911009
1001457688	2670003	1001458314	2670050	1001479503	1914001
1001457689	2670004	1001458315	2670051	1001479504	1915004
1001457690	2670005	1001458323	2670052	1001479507	1918006
1001457848	2670006	1001458324	2670053	1001479509	1999014
1001457849	2670007	1001458325	2670054	1001479516	1999015
1001457850	2670008	1001460967	1403170	1001479521	1999016

This listing shows parts that are similar in physical interchangeability and function. Cross reference lists should not be used as application guides. Please refer to the proper listing in the applications section for specific make and model recommendations.

BERGSTROM		BERGSTROM		BERGSTROM	
Bergstrom Number	Kysor Number	Bergstrom Number	Kysor Number	Bergstrom Number	Kysor Number
1001479548	1999031	1001488665	4610019	1001562240	2799227
1001484492	3730021	1001489425	3720014	1001562246	2799228
1001484764	3730022	1001489429	3720015	1001562250	2799229
1001484766	3730023	1001489432	3720016	1001562293	2633909
1001484769	3730024	1001489437	3720017	1001562294	2633910
1001484774	3730025	1001489438	4610009	1001563141	2633911
1001484952	3730026	1001489683	1617010	1001563237	2633912
1001485095	3720002	1001489790	1814001	1001563468	2633913
1001485114	3720003	1001489858	3720018	1001563469	2633914
1001485140	3720004	1001489860	3720019	1001563473	2633915
1001485144	3720005	1001489866	3720020	1001563474	2633916
1001485149	3720006	1001489875	3720021	1001563475	2633917
1001485152	4610006	1001489884	3720022	1001563476	2633918
1001486194	4499154	1001489892	3720023	1001563478	2633919
1001486203	4499155	1001489893	3720024	1001563479	2633920
1001486213	4499156	1001489900	3740001	1001563481	2633921
1001486215	4499157	1001489907	3740002	1001563484	2633922
1001486217	4499158	1001489917	3740003	1001563490	2633923
1001486219	4499159	1001489922	3740004	1001563495	2633924
1001487233	4499160	1001489928	3740005	1001563497	2633925
1001487235	4499161	1001489941	3740006	1001563499	2633926
1001487237	4499162	1001492294	3740007	1001563563	2633927
1001487240	4499163	1001492295	3740008	1001563568	2633928
1001487242	4499164	1001492297	3740009	1001563922	2633929
1001487245	4499165	1001492298	3740010	1001563929	2633930
1001487249	4499166	1001492299	3740011	1001563931	2633931
1001487252	4499167	1001493206	1513036	1001563933	2633932
1001487476	4499168	1001502018	1999270	1001563941	2633933
1001487478	4499169	1001508513	4610024	1001563945	2633934
1001487485	4499170	1001513275	2217004	1001563950	2633935
1001487489	3720007	1001517352	4610025	1001564114	2600030
1001487640	1099317	1001519167	4610023	1001564143	2600011
1001487641	1099316	1001520651	2017004	1001564146	2600031
1001487642	1099325	1001520903	1999271	1001564221	2600012
1001487643	1099327	1001530819	3730027	1001564223	2600032
1001487644	1099326	1001530829	3730028	1001564224	2600033
1001487645	1099328	1001530833	1401526	1001564227	2600034
1001487647	1099330	1001534013	1401527	1001564228	2600035
1001487648	1099322	1001534014	1401528	1001564233	2600009
1001487649	1099318	1001534189	1617018	1001564236	2600036
1001487651	1099319	1001552981	4499171	1001564303	2600010
1001487655	1099323	1001561385	2670055	1001564343	2600038
1001488621	3720008	1001561396	2670056	1001564344	2600037
1001488622	3720009	1001562186	2633899	1001565070	1407044
1001488624	3720010	1001562206	2633900	1001565295	4499178
1001488627	3720011	1001562212	2799224	1001579648	2614027
1001488633	3720012	1001562220	2799225	1001579656	2614028
1001488643	3720013	1001562233	2799226	1001579657	2614029

Bergstrom

This listing shows parts that are similar in physical interchangeability and function. Cross reference lists should not be used as application guides. Please refer to the proper listing in the applications section for specific make and model recommendations.

BERGSTROM		BERGSTROM		BERGSTROM	
Bergstrom Number	Kysor Number	Bergstrom Number	Kysor Number	Bergstrom Number	Kysor Number
1001579658	2614030	1001580042	2614082	1001580090	2614130
1001579659	2614031	1001580043	2614083	1001580091	2614132
1001579660	2614032	1001580044	2614084	1001580092	2614133
1001579661	2614033	1001580045	2614085	1001580093	2614134
1001579662	2614034	1001580046	2614086	1001580094	2614135
1001579663	2614035	1001580047	2614087	1001580095	2614136
1001579664	2614036	1001580048	2614088	1001580096	2614137
1001579665	2614037	1001580049	2614089	1001580097	2614138
1001579666	2614038	1001580050	2614090	1001580098	2614139
1001579668	2614040	1001580051	2614091	1001580099	2614140
1001579669	2614041	1001580052	2614092	1001580100	2614141
1001579670	2614042	1001580053	2614093	1001580101	2614143
1001579671	2614043	1001580054	2614094	1001580102	2614144
1001579672	2614044	1001580055	2614095	1001580103	2614145
1001579673	2614045	1001580056	2614096	1001580104	2614146
1001579674	2614046	1001580057	2614097	1001580105	2614147
1001579677	2614049	1001580058	2614098	1001580106	2614148
1001579678	2614051	1001580059	2614099	1001580107	2614149
1001579679	2614052	1001580060	2614100	1001580108	2614150
1001579680	2614053	1001580061	2614101	1001580109	2614151
1001579681	2614054	1001580062	2614102	1001580110	2614152
1001579682	2614055	1001580063	2614103	1001580111	2614153
1001579683	2614056	1001580064	2614104	1001580112	2614154
1001579684	2614057	1001580065	2614105	1001580113	2614155
1001579685	2614058	1001580066	2614106	1001580114	2614156
1001579686	2614059	1001580067	2614107	1001580115	2614158
1001579687	2614060	1001580068	2614108	1001580116	2614159
1001579688	2614061	1001580069	2614109	1001580117	2614160
1001579689	2614062	1001580070	2614110	1001580118	2614163
1001579690	2614063	1001580071	2614111	1001580119	2614164
1001579691	2614064	1001580072	2614112	1001580120	2614165
1001579692	2614065	1001580073	2614113	1001580121	2614166
1001579693	2614066	1001580074	2614114	1001580122	2614167
1001579694	2614067	1001580075	2614115	1001580123	2614168
1001579695	2614068	1001580076	2614116	1001580124	2614169
1001579696	2614069	1001580077	2614117	1001580125	2614170
1001579697	2614070	1001580078	2614118	1001580126	2614171
1001579873	2614071	1001580079	2614119	1001580127	2614172
1001579876	2614072	1001580080	2614120	1001580128	2614173
1001579877	2614073	1001580081	2614121	1001580129	2614175
1001579879	2614074	1001580082	2614122	1001580130	2614176
1001579880	2614075	1001580083	2614123	1001580131	2614177
1001579882	2614076	1001580084	2614124	1001580132	2614178
1001580037	2614077	1001580085	2614125	1001580133	2614179
1001580038	2614078	1001580086	2614126	1001580134	2614180
1001580039	2614079	1001580087	2614127	1001580135	2614181
1001580040	2614080	1001580088	2614128	1001580136	2614182
1001580041	2614081	1001580089	2614129	1001580137	2614183

This listing shows parts that are similar in physical interchangeability and function. Cross reference lists should not be used as application guides. Please refer to the proper listing in the applications section for specific make and model recommendations.

BERGSTROM		BERGSTROM		BERGSTROM	
Bergstrom Number	Kysor Number	Bergstrom Number	Kysor Number	Bergstrom Number	Kysor Number
1001580138	2614184	1001580188	2614235	1001857074	1407046
1001580139	2614185	1001580189	2614236	1001872086	1407047
1001580140	2614186	1001580190	2614237	091087C008	091087C008
1001580141	2614187	1001580196	2614238	091087C025	091087C025
1001580142	2614188	1001580198	2614239	091087C028	091087C028
1001580143	2614189	1001580200	2614240	091087N001	091087N001
1001580144	2614190	1001580201	2614241	091099C022	091099C022
1001580145	2614191	1001580202	2614242	203046C	1099014
1001580146	2614192	1001582686	1099159	410-C081	1099154
1001580147	2614193	1001587278	1099160	444720-BLK-S	4390002
1001580148	2614194	1001587284	2390001	526024C	1918005
1001580149	2614195	1001590157	BSP00005COND12	540111C	1999203
1001580150	2614196	1001591054	3899028	540299C	1918004
1001580151	2614197	1001592507	4099195	552-C043	2614131
1001580152	2614198	1001594357	2614050	552-C045	2614142
1001580153	2614199	1001594358	2614157	552-C053	2614161
1001580154	2614200	1001594359	2614207	650254-S	1899020
1001580155	2614201	1001594360	2614208	756020C	1299007
1001580156	2614202	1001594361	2614209	756360C	1299008
1001580157	2614203	1001594399	2614243	756610C	1299021
1001580158	2614204	1001602683	4499172	756718C	1299024
1001580159	2614205	1001603421	4499177	756720C	1299023
1001580160	2614206	1001603423	4099211	756735C	1299032
1001580161	2614210	1001603425	4099212	756736C	1299042
1001580163	2614211	1001616296	1099161	867849-S	1718008
1001580164	2614212	1001639549	2600039	868516-S	1799015
1001580165	2614213	1001639551	2600040	870118-S	4399032
1001580166	2614214	1001639552	2600041	870331-S	4099028
1001580167	2614215	1001639553	2600042	871288-S	2499104
1001580168	2614216	1001640134	2614248	B11373	3099007
1001580169	2614217	1001640135	1999272	B170144	3275001
1001580170	2614218	1001685792	3475098	B170145	3275002
1001580171	2614219	1001689478	1403170	B170195	3299002
1001580172	2614220	1001691853	4499173	B170363	3299004
1001580173	2614221	1001694548	4499179	B173070	2799037
1001580174	2614222	1001697266	3699045	B173089	2475002
1001580175	2614223	1001747671	4499174	B173090	2499006
1001580176	2614224	1001747691	4499175	B173131	2475005
1001580177	2614225	1001747693	4499176	B173134	2499013
1001580178	2614226	1001756154	3699044	B173139	2499015
1001580179	2614227	1001761580	4499180	B173140	2499016
1001580180	2614228	1001807230	1401529	B173142	2499017
1001580181	2614229	1001807243	1403171	B173148	2475006
1001580182	2614230	1001819763	1407045	B173152	2499039
1001580183	2614231	1001822045	1399088	B173153	2499021
1001580184	2614232	1001837229	4499182	B173161	2499023
1001580186	2614233	1001837252	4499183	B173162	2499040
1001580187	2614234	1001837256	4499184	B200101	4399104

Bergstrom

This listing shows parts that are similar in physical interchangeability and function. Cross reference lists should not be used as application guides. Please refer to the proper listing in the applications section for specific make and model recommendations.

BERGSTROM		BERGSTROM		BERGSTROM	
Bergstrom Number	Kysor Number	Bergstrom Number	Kysor Number	Bergstrom Number	Kysor Number
B200115	4399103	B221108	2175008	B250205	2599066
B200307	4399096	B221122	2199036	B250223	3899024
B200308	4399101	B221164	2175001	B250233	2599067
B200309	4399102	B221181	2199010	B250234	2575001
B200941	4399098	B221410	2175009	B250252	2599077
B201047	4399095	B221442	2199034	B250568	3899018
B201106	4399127	B221503	2114001	B260030	1199012
B201122	4399160	B221504	2199003	B260031	1199013
B201320	4099161	B221522	2175010	B260090	1199015
B201933	4399094	B221523	2199035	B260170	1199028
B201985	4399100	B221655	2075004	B260171	1199029
B202208	4399112	B221670	2075001	B260231	1175002
B202303	4475061	B221770	2199083	B260261	1199051
B202500	4399111	B221841	2199033	B260570	1199042
B203300	4399085	B222013	2199104	B260571	1117001
B203314	4399088	B222166	2099009	B260640	1117002
B203603	4099162	B222338	2075003	B260650	1199030
B203773	2799053	B222390	2199078	B260680	1199009
B203819	4399087	B222434	2199079	B260720	1199020
B203841	2799049	B222435	2199080	B260721	1199021
B203845	2799047	B222497	2175011	B260770	1199022
B203846	2799051	B222508	2199071	B260816	1199023
B203851	4399161	B222522	2199081	B265330	1275001
B204092	1407024	B222617	2099020	B265600	1275003
B204093	1407025	B222647	2199085	B265605	1299019
B204275	1407026	B222662	2199028	B265606	1299020
B204446	1407027	B222665	2199094	B265620	1275004
B206057	4399093	B222695	2199024	B274284	1075006
B208101	4399030	B222748	2099010	B275102	1075051
B208104	4399106	B222857	2199025	B275130	1099087
B208154	1409001	B222973	2099012	B275140	1099024
B208406	4399044	B222975	2199026	B275141	1099011
B208412	4399107	B222987	4099189	B275152	1099004
B208413	4499034	B223004	2199093	B275156	1099049
B220001	4399008	B223048	3899011	B275158	1075033
B220029	4475062	B223101	2199074	B275165	1075009
B220268	2175002	B223109	4099191	B275166	1075010
B220300	2199002	B242088	2599005	B275181	1075036
B220743	2175003	B242092	2599064	B275190	1075035
B220746	2175004	B242105	2599007	B275202	1075011
B220891	2117001	B242110	2599063	B275230	1075012
B220893	2199032	B243040	2599011	B275232	1099126
B220928	2175012	B243045	2599012	B275240	1075013
B220990	2099016	B243058	2599046	B275241	1075034
B221005	2112001	B243092	2599076	B275252	1099019
B221078	2075002	B250155	2575021	B275254	1099147
B221104	2199020	B250188	2175005	B275256	1075014
B221107	2175007	B250189	3899008	B275258	1075015

This listing shows parts that are similar in physical interchangeability and function. Cross reference lists should not be used as application guides. Please refer to the proper listing in the applications section for specific make and model recommendations.

BERGSTROM	
Bergstrom Number	Kysor Number
B275265	1075016
B275266	1075017
B280244	1717006
B280255	1799008
B280262	1714004
B280279	1799009
B280280	1775001
B280306	1775007
B280308	1775008
B280309	1775009
B280317	1775002
B280349	1799062
B280354	1775003
B280357	1799061
B280360	1775011
B280370	1775004
B280380	1799047
B280381	1799063
B280383	1799033
B280385	1799057
B280386	1775013
B280388	1799064
B280389	1799054
B280390	1799021
B280393	1775017
B280396	1799055
B280397	1799056
B280399	1799034
B280400	1799058
B280401	1799049
B280406	1799024
B290012	4399092
B290065	2799054
B290081	2799066
B290214	2799076
B290215	4399145
B290227	2799221
B290247	2799055
B290279	2799078
B290303	2799081
B300014	2799038
B300046	4399108
B300047	4399122
B300114	2799203
B300127	4399117
B300222	4475015
B300242	4399060
B300409	4399110

BERGSTROM	
Bergstrom Number	Kysor Number
B300441	2799216
B300442	2799218
B300448	2799217
B300475	2799045
B300506	2799044
B300511	4099190
B300515	2600028
B300551	4399118
B300571	4475063
B300642	4099136
B300648	4399158
B300652	4099163
B300664	4475016
B300669	2799209
B311000	2799084
B312000	2799085
B314000	2799086
B315000	2799087
B316000	2799088
B318000	2799089
B319032	2799214
B320000	2600013
B323033	2600015
B330155	2640701
B330245	2640792
B330308	2640702
B330366	2499148
B330369	2640703
B330371	2640704
B330374	2499048
B330379	2640772
B330388	2640794
B330393	2499093
B341930	4399047
B342550	4399120
B342600	4399048
B350700	4399064
B351100	4399062
B351744	4399066
B351900	4399063
B352302	4399069
B352700	4399072
B353810	4390027
B354011	4399105
B354135	4390026
B354195	4399059
B354621	4399065
B354775	3475009

BERGSTROM	
Bergstrom Number	Kysor Number
B354994	3199096
B354996	3475011
B355032	4075004
B355114	4399057
B355169	3475012
B355190	4399052
B360104	3299005
B360113	2799056
B360151	3213005
B360157	3275003
B360201	4399046
B360208	2799039
B360221	4399018
B360222	4399019
B360223	3275004
B360224	3275005
B360243	4399016
B360274	4399084
B360288	4399086
B360289	3275006
B360306	4399076
B360348	3299006
B360367	3299063
B360389	4375002
B360400	3275007
B360401	3899012
B360432	4375001
B360437	3899026
B360448	3275008
B360450	2799042
B360478	3299007
B360480	1199035
B360561	3299008
B360575	3299010
B360584	3299013
B360585	3299062
B360593	3299014
B360649	3299015
B360692	4475064
B360715	3299016
B360746	3299017
B360754	3299018
B360756	1409009
B360761	3275009
B360769	3299019
B360782	3299020
B360783	3275010
B360790	2799215

Bergstrom

This listing shows parts that are similar in physical interchangeability and function. Cross reference lists should not be used as application guides. Please refer to the proper listing in the applications section for specific make and model recommendations.

BERGSTROM		BERGSTROM		BERGSTROM	
Bergstrom Number	Kysor Number	Bergstrom Number	Kysor Number	Bergstrom Number	Kysor Number
B360794	4399142	B400173	1675028	B403276	2610001-DS
B360798	3299022	B400174	1675019	B403277	2610002-DS
B360833	3299024	B400180	1675020	B403278	2610003-DS
B360834	1199036	B400181	1675021	B403279	2610004-DS
B360849	2799092	B400182	1675022	B403489	2699003
B360850	3275011	B400189	1699006	B403490	2699006
B360867	1175003	B401023	1575001	B403491	2699005
B360874	1409006	B401024	1575002	B403637	2699004
B360880	3275012	B401036	1599005	B403638	2699002
B360882	4399090	B401040	1575013	B404019	2399010
B360913	3299026	B401041	1575004	B404028	2399004
B360914	4399026	B401043	1575005	B404075	2375001
B360917	1199037	B401044	1575019	B404077	2399011
B360924	4099004	B401076	1575017	B404084	1812004
B360934	3899014	B401077	1575007	B404089	2399018
B370087	1407012	B401080	1575008	B404093	2299022
B380007	2575002	B401094	1575018	B404097	2299005
B380008	2575018	B401102	1575009	B404100	2299012
B380031	2599065	B401103	1599010	B404121	2213002
B380032	2575003	B401114	1575016	B404122	2299013
B380052	2599024	B401121	1575014	B404123	2213001
B380053	2599025	B402533	1999032	B404142	2299023
B380060	2575005	B402562	1975004	B404144	2299001
B380061	2575006	B402565	1999007	B404145	2399026
B380064	2575007	B402600	1407029	B404157	2399001
B380076	2575008	B402606	1407030	B404159	2299014
B380081	2575025	B402614	1407020	B404205	1899017
B380087	2575009	B402618	1975003	B404217	1408005
B380088	2599029	B402825	1403104	B404218	1408006
B380091	2599030	B402827	1403111	B404219	2275007
B380092	2599031	B402828	1403110	B404220	2299024
B380095	2575010	B402829	1403105	B404226	2399020
B380096	2599032	B402833	1403116	B404270	1408028
B380099	2575011	B402834	1403120	B404271	1408029
B380100	2599034	B402842	1401113	B404276	2299017
B380102	2599058	B402844	1401101	B404277	2299018
B400049	1617007	B402848	1404025	B404278	2299106
B400050	1675001	B402849	1403117	B404279	2275003
B400052	1675002	B402850	1403107	B404281	2275004
B400056	1675003	B402853	1401110	B404283	2299019
B400064	1614002	B402855	1403132	B404284	2299020
B400065	1675005	B402878	1403138	B404285	2299102
B400074	1675006	B402891	1399045	B404288	2299021
B400105	1675010	B402900	1399017	B404292	1875003
B400143	1675013	B402917	1399046	B404304	1408032
B400160	1675015	B402920	1399028	B404307	2299032
B400165	1675016	B402934	1399035	B404308	2399015
B400168	1675017	B402937	1399061	B405429	2640774

This listing shows parts that are similar in physical interchangeability and function. Cross reference lists should not be used as application guides. Please refer to the proper listing in the applications section for specific make and model recommendations.

BERGSTROM		BERGSTROM		BERGSTROM	
Bergstrom Number	Kysor Number	Bergstrom Number	Kysor Number	Bergstrom Number	Kysor Number
B405430	2799046	B409009	2612252	B409063	2610773
B405431	2799048	B409010	2612253	B409064	2610774
B405433	2799052	B409011	2612254	B409065	2610776
B405434	2799050	B409012	2612256	B409066	2612514
B405576	2650013	B409013	2611201	B409067	2612556
B405577	2650008	B409014	2611203	B409068	2612552
B405807	2650009	B409015	2611208	B409069	2612281
B405888	2614245	B409016	2612592	B409070	2611281
B405919	2612206	B409017	2612593	B409073	2613891
B405984	2650012	B409018	2612511	B409074	2613892
B407114	4399083	B409019	2612502	B409075	2614247
B407131	1899011	B409022	2612201	B409076	2612299
B407137	3199002	B409023	2612202	B409077	2612210
B407161	3175001	B409024	2612203	B409078	2612518
B407162	3199003	B409025	2612204	B409079	2614246
B407176	3175002	B409026	2612207	B409080	2611597
B407213	3199004	B409027	2612208	B409083	2611302
B407234	3199005	B409028	2612209	B409084	2612519
B407256	3199006	B409029	2612596	B409085	2611556
B407294	3199007	B409030	2611151	B409086	2611301
B407335	3475017	B409032	2611153	B409087	2612508
B407340	3475018	B409033	2611156	B409091	2611206
B407351	3199008	B409034	2612597	B409092	2611202
B407353	3199083	B409035	2612598	B409093	2611152
B407354	3175003	B409037	2614011	B409094	2611192
B407358	3199009	B409038	2612599	B409095	2611194
B407359	3199010	B409039	2612590	B409096	2611196
B407362	3199011	B409040	2611191	B409097	2611303
B407364	3113009	B409041	2611193	B409099	2612506
B407365	3113008	B409042	2611198	B409100	2612257
B407367	3113007	B409043	2612503	B409103	2611393
B407368	3475019	B409044	2612510	B410932	4399022
B407369	3199089	B409045	2612516	B410965	1075022
B407371	3199014	B409046	2612515	B411077	3475021
B407372	3175004	B409047	2611506	B411080	3475022
B407374	3475020	B409048	2611507	B411114	3299039
B407375	3199015	B409049	2611598	B411193	1075023
B407380	3199090	B409050	2611596	B411197	1075024
B407387	3199016	B409051	2612512	B411271	1075025
B407388	3199017	B409052	2612513	B411330	1099131
B409000	2612291	B409055	2610778	B411343	1075020
B409001	2612292	B409056	2610779	B411358-S	1075028
B409002	2612293	B409057	2610780	B411407	1075018
B409003	2612294	B409058	2610902	B411408	3899013
B409004	2612296	B409059	2610903	B411465	1099132
B409006	2612297	B409060	2610904	B416004	3499026
B409007	2612298	B409061	2610771	B416093	3475027
B409008	2612251	B409062	2610772	B416109	3475028

Blue bird

This listing shows parts that are similar in physical interchangeability and function. Cross reference lists should not be used as application guides. Please refer to the proper listing in the applications section for specific make and model recommendations.

BERGSTROM	
Bergstrom Number	Kysor Number
B416110	3475029
B416113	1407008
B416371	1407009
B416551	3799020
B416615	3475033
B416616	3475034
B416617	3475035
B416632	3475036
B416690	3475038
B416691	3475039
B416692	3475040
B416746	3475047
B416759	3175005
B416780	3175006
B416825	1599100
B416864	3475051
B416878	3713011
B416912	2175006
B416938	3475053
B416962	3475002
B416963	3475003
B416964	3475004
B416965	3475005
B416998	3475056
B417000	3475057
B417080	3475006
B417084	3475059
B417088	2499081
B417124	3475060
B417126	3475062
B417127	3799034
B417167	3475064
B417177	3475066
B417226	3499009
B417227	3499010
B417228	3499011
B417245	3175009
B417254	2499149
B417260	3475067
B417261	3475068
B417262	3475069
B417263	3475070
B502230	2799073
B502332	4399040
B507920	4390005
B508951	4399029
B509185	4399025
B509923	4399144

BERGSTROM	
Bergstrom Number	Kysor Number
B510563	1999200
B511845	4399027
B512088	4399129
B512239	2799072
B512385	4399041
B512388	4399035
B513062	4399082
B513988	4390004
B514043	1999202
B514179	4399020
B515948	4390003
B516757	4399023
B516758	4399024
B517956	4075002
B934148	3375022
B934159	BSP00006HVAC12
B934160	BSP00006HVAC24
B936055	BSP00020HEAT12
B936154	3375081
B936213	BSP00019HEAT12
B936224	3399084
B936228	BSP00019HEAT24
B936229	BSP00020HEAT24
B938069	3375002
B938148	BSP00037AC12
B938150	BSP00038AC12
B938171	3475086
B940015	3475073
B940017	3475085
B942046	BSP00012COND12
B942052	3375041
B942062	BSP00011COND12
B942063	BSP00011COND24
B942077	3375039
B942078	3375040
B944146	3399032
B944147	3899010
B944171	3475097
B944182	3899009
B944183	3899021
B944184	1099098
E012147	4399150
E525010	1999214
E525076	3299023
E525082	2599051
E525090	3199093
E525095	1099134
F37-1002	1914008

BERGSTROM	
Bergstrom Number	Kysor Number
F45-1001	4099005
F45-1002	4099002
F66-1117	4099164

BLUE BIRD	
Blue Bird Number	Kysor Number
00012387	2575011
00014942	2175011
00015281	3399034
00015303	2399026
00015310	2199073
00015311	3199089
0015318	1817001
00015323	1799055
00016333	4099189
00017537	2275001
00017538	2275003
00020158	2640801
00026361	3399022
00031148	3899005
00031322	2499149
00031531	2599058
00033722	1199007
00035860	1799039
00035861	1099018
00035862	4399001
00035863	3199068
00035868	2099004
00035881	1799040
00035882	3199071
00035883	1099077
00035908	3199018
00035911	2499093
00035914	1799024
00035915	3899018
00037786	3899014
00037787	2199074
00037788	2199026
00038850	2499151
00038986	2599077
00044580	2099025
00056086	1799041
00063294	3899023
00063495	2199069
00063497	2499152
00063507	1799035

This listing shows parts that are similar in physical interchangeability and function. Cross reference lists should not be used as application guides. Please refer to the proper listing in the applications section for specific make and model recommendations.

BLUE BIRD	
Blue Bird Number	Kysor Number
0063509	1899005
00063509	1899042
00063511	2399009
00063512	2499075
00063513	3899003
00063516	2099009
00063522	3199095
00064090	1799037
00064092	3199065
00066114	1199047
00070762	1799031
00070764	1799032
00070770	3199078
00070771	3199079
00076518	1099138
00084864	1999009
00090180	3299023
00090183	1699009
00090190	2399006
00090191	2118004
00090192	2099013
00090194	4099004
00090195	1099097
00090196	2799037
00090197	1899020
00090198	3199070
00091624	2499150
00091737	1799052
00091760	4399090
00091765	4399068
00091769	3199069
00093449	2199101
00104121	1099051
00114540	1099033
00116944	2499104
0159723	1099040
0228072	1099054
0228080	1099055
0651844	2499021
0666719	1299027
0864579	4399101
01251065	4099126
01438118	1799030
01438126	1299028
01438480	1099059
01494897	2599031
01525856	2599025
1567288	1199013

BLUE BIRD	
Blue Bird Number	Kysor Number
01654482	BSP00021HEAT12
01717011	1717011
01799024	1799024
01913730	2499081
01915438	3299050
01918549	3299017
01987726	1799034
02004307	1299017
02130656	1012015
04316238	1099024
04316246	1075035
04316295	2099016
04316329	4399025
04316337	1175002
04316386	3199083
04316519	2799084
04316543	1199042
04316717	2799085
04316741	3299062
04316774	4399087
04316782	2599066
04316790	2799055
04320917	2575010
04320925	2199005
04759765	3299030
08303091	3299024
08303109	2199071
08303133	3899024
08303141	2199025
08303158	2599032
08303182	1099161
08303208	1799033
08303216	3199009
08303224	2599067
08303232	2575002
08303273	2499048
08304602	1199029
8304610	1099004
08304636	1199028
08307191	4399027
08307266	4399060
08307365	1175003
08316374	1799064
09002649	1299022
10005213	3199087
10006651	3399048
10006652	3399047
10006937	3899017

BLUE BIRD	
Blue Bird Number	Kysor Number
10006939	1799038
10006941	3199080
10013870	1099118
10013871	3399049
10013872	3399008
10013873	3399050
10013874	3399018
10013875	3399006
10013876	3399007
10013941	1299043
10016426	1099119
10020349	3199031
10020990	4399004
10024643	3399034
10024645	3399055
10024862	2099019
10024863	2099022
10025116	3199032
10026722	2499087
10030325	1299017
10033362	1099328
10034148	1099308
10035131	1099306
10035131	1099326
10038245	2499130
10038421	2499115
10049796	2499141
10049797	2640804
100013871	3399049
04-00201	1999232
04-00202	1999236
28-51601	2599029
575080BB	1275005
633-2527	2199075
B417177	3475066

CHEVY/GMC	
Chevy/GMC Number	Kysor Number
303196	1099002
662013	2410004
1138008	1404025
1618951	2010009
1626239	2010009
2098912	2010009
2724338	2010007
2724816	1910002

Climattech

This listing shows parts that are similar in physical interchangeability and function. Cross reference lists should not be used as application guides. Please refer to the proper listing in the applications section for specific make and model recommendations.

CHEVY/GMC	
Chevy/GMC Number	Kysor Number
2724817	1910002
3028652	1099002
3031336	2299001
3031409	2299001
3031995	1099002
3033879	1810003
3033919	1810003
3034845	1099002
3041336	2299001
3041409	2299001
3041596	2299001
3096068	1810002
4961626	1099002
6551944	2010007
12306577	1099038
12380318	2410001
14089936	2010010
15038500	1401440
15038500	1410093
15112434	1510020
15683829	2299002
15956082	1401347
15956082	1410036
19189419	2011001
22020945	1099003
22029905	1099003
22048572	1099003
25520198	2010009
25530733	2011001
52459599	1817018
52466358	2210001
52474373	2712005
52477032	1510018
52477087	2712004
88892742	1401440
88892742	1410093

CLIMATE CONTROL INC.	
Climate Control, Inc. Number	Kysor Number
022-21564	1408009
022-21565	1408010
022-21936	1408040
022-21937	1408039
022-25024	1408014
022-25025	1408013

CLIMATE CONTROL INC.	
Climate Control, Inc. Number	Kysor Number
022-25103	2899004
022-25104	2899006
022-25104	2899033
024-21590	1380001
024-21723	1399045
024-21942	1399005
024-25078	1312002
024-25238	1380002
024-25241	1380004
024-25244	1399008
024-25247	1380006
024-25410	1380005
024-25411	1399013
024-25412	1313002
024-25414	1380007
024-25415	1399004
028-07146	2799031
029-09888	2799095
488-21500	1407001
488-21525	1407002
488-21844	1407004
488-21969	1407005
488-25274	1407010
ER210L-25149	1411001
ER210L-25248C	1411014
ER210R-25200	1411004
ET210L-25073C	1411013
ET210L-25150	1411002
ET210L-25150	1402002
ET210L-25237C	1411015
ET210L-25246C	1411016
ET210R-25189	1411003
QP4027	1401411
QP4027	1412007
QP4285	1412013
QP4286	1412011
QP4326	1401437
QP4326	1412009
QP4347	1401422
QP4347	1412008
QP4384	1401446
QP4384	1412014
QP4392	1401423
QP4392	1412012
QP4429	1401341
QP4429	1412004
QP4475	1401126

CLIMATE CONTROL INC.	
Climate Control, Inc. Number	Kysor Number
QP4475	1412003
QP4645	1401110
QP4645	1412001
QP4672	1401118
QP4672	1412002
QP4802S	1401438
QP4802S	1412010
QP4823	1412005
QP4823	1401378
QP4897	1412006

CLIMATECH	
Climatech Number	Kysor Number
4303	1401353
4304	1401354
4304	1410082
4305	1401355
4306	1401356
4318	1401403
4453	1410095
4467	1401402
4467	1410097
4472	1401359
4475	1401126
4475	1412003
4477	1401120
4488	1401122
4490	1401400
4491	1401125
4497	1401365
4646	1401111
4660	1401114
4664	1401115
4665	1401116
4687	1401119
4687	1410091
4700	1401344
4820	1401340
4820	1410094
4821	1401341
4821	1412004
4866	1401208
4870	1401212
4883	1401397
208104	4399106

This listing shows parts that are similar in physical interchangeability and function. Cross reference lists should not be used as application guides. Please refer to the proper listing in the applications section for specific make and model recommendations.

CLIMATECH	
Climatech Number	Kysor Number
221104	2199020
275166	1075010
275256	1075014
290227	2799221
354135	4390026
360401	3899012
360432	4375001
360867	1175003
380064	2575007
400074	1675006
401040	1575013
401080	1575008
404161	2275012
404226	2399020
404270	1408028
404274	2275001
404279	2275003
407161	3175001
407294	3199007
514100	4399109
525968	1403125
650622	2117004
650656	4399149
651580	2075001
870118	4399032
940015	3475073
1000012572	3114002
1000201343	3199034
1000381584	1401437
1000007617BSM	4099116
1000007618BSM	4099117
1000014373BSM	4099128
1000014440BSM	4099124
1000021997BSM	2660018
1000023045BSM	4099130
1000025409BSM	4099167
1000040429BSM	4099114
1000041921BSM	4099121
1000042067BSM	4099123
1000042815BSM	4099122
1000043504BSM	4099165
1000044640BSM	4475047
1000044881BSM	4499029
1000046148BSM	1099077
1000046149BSM	1099090
1000049325BSM	4099160
1000058887BSM	4480015
1000086470BSM	4099085

CLIMATECH	
Climatech Number	Kysor Number
1000096864BSM	4099131
1000113415BSM	4099166
1000122061BSM	1818006
1000129489BSM	4099140
1000129493BSM	4099141
1000132409BSM	4499014
1000132411BSM	4499013
1000132413BSM	4499011
1000133405BSM	4475048
1000134018BSM	4099177
1000134217BSM	4475049
1000134248BSM	4499005
1000134338BSM	4499006
1000134371BSM	4499007
1000134376BSM	4499008
1000138867BSM	4499012
1000139223BSM	1411007
1000139546BSM	1410008
1000146165BSM	1099161
1000149542BSM	3899002
1000163931BSM	3699025
1000167211BSM	4499010
1000168452BSM	4475003
1000169770BSM	4099158
1000171544BSM	4499021
1000171683BSM	4499022
1000171686BSM	4499023
1000171688BSM	4499024
1000173480BSM	4099179
1000173812BSM	4499033
1000174251BSM	4099188
1000174286BSM	4099180
1000174296BSM	4475050
1000174302BSM	4475051
1000175537BSM	4099181
1000176050BSM	4499015
1000176058BSM	4499016
1000176060BSM	4499017
1000177227BSM	4499018
1000177230BSM	4499019
1000177374BSM	4499020
1000183201BSM	4475023
1000184211BSM	4475013
1000190324BSM	4499032
1000192444BSM	4099193
1000193499BSM	4499036
1000193500BSM	4499037
1000207213BSM	1817005

CLIMATECH	
Climatech Number	Kysor Number
1000207781BSM	2117007
1000213961BSM	4499038
1000214467BSM	4499040
1000214510BSM	4499041
1000215106BSM	4475018
1000215256BSM	4475019
1000215304BSM	4475020
1000224619BSM	4475052
1000227147BSM	1813012
1000230085BSM	4475006
1000230381BSM	4475001
1000230491BSM	4475009
1000230502BSM	4475004
1000230729BSM	4475005
1000230739BSM	4475012
1000230792BSM	4420001
1000233458BSM	2799219
1000234546BSM	4475026
1000234558BSM	4475025
1000234566BSM	4475027
1000234569BSM	4475028
1000235371BSM	4475053
1000235938BSM	4475029
1000235954BSM	4475054
1000235958BSM	4475030
1000236036BSM	4475055
1000236361BSM	4475037
1000236384BSM	4475031
1000236388BSM	4475032
1000236401BSM	4475033
1000236644BSM	4420002
1000236697BSM	4420003
1000236701BSM	4420004
1000236731BSM	4420005
1000236773BSM	4420006
1000236777BSM	4420007
1000236898BSM	4475034
1000237424BSM	4480030
1000243510BSM	4475056
1000247777BSM	4475057
1000247778BSM	4475058
1000251422BSM	4499039
1000255856BSM	3699031
1000257831BSM	BSP00003HVAC24
1000258346BSM	3380020
1000258348BSM	BSP00018HEAT24
1000258379BSM	BSP00015HEAT12
1000258578BSM	BSP00039AC12

Climatech

This listing shows parts that are similar in physical interchangeability and function. Cross reference lists should not be used as application guides. Please refer to the proper listing in the applications section for specific make and model recommendations.

CLIMATECH		CLIMATECH		CLIMATECH	
Climatech Number	Kysor Number	Climatech Number	Kysor Number	Climatech Number	Kysor Number
1000258579BSM	BSP00039AC24	1000348812BSM	1075049	1001202121BSM	1403168
1000258580BSM	BSP00009AC12	1000352807BSM	1817008	1001264912BSM	1999223
1000259751BSM	3699032	1000355817BSM	1817007	1001275456BSM	4430007
1000265225BSM	4480034	1000360822BSM	4499075	1001275465BSM	4430003
1000270409BSM	3699033	1000360826BSM	4499076	1001275466BSM	4430008
1000270666BSM	3699034	1000365536BSM	4399010	1001276274BSM	4430001
1000270699BSM	3699035	1000371883BSM	2499129	1001276276BSM	4430002
1000278423BSM	4499043	1000373395BSM	2499111	1001401792BSM	2099028
1000278426BSM	4499044	1000373961BSM	2499097	1001411188BSM	4499151
1000280748BSM	4100006	1000383410BSM	4480061	1001439657BSM	1617017
1000280749BSM	4100005	1000386862BSM	4099202	1001443378BSM	3630004
1000282660BSM	4099194	1000388483BSM	4499078	1001443393BSM	4099209
1000283360BSM	4480038	1000390653BSM	4499095	1001443575BSM	4099210
1000283361BSM	4480039	1000391191BSM	2499100	1001447917BSM	3630002
1000285448BSM	4420009	1000391445BSM	2499109	1001461145BSM	3699042
1000295771BSM	4099197	1000400456BSM	4499079	1001461145BSM	3699044
1000299202BSM	4099195	1000416685BSM	4499077	1001487640BSM	1099317
1000309203BSM	4099199	1000426128BSM	1099135	108293BSM	1799023
1000309205BSM	4099198	1000431722BSM	2499130	108294BSM	1714008
1000309829BSM	4499109	1000439603BSM	4499092	108322BSM	1717011
1000313234BSM	4480046	1000451925BSM	2499101	108346BSM	1799025
1000315710BSM	4499054	1000463486BSM	1817009	108347BSM	1799026
1000319890BSM	4480049	1000493450BSM	4475066	108433BSM	1799028
1000320003BSM	4480051	1000515005BSM	1099311	110180BSM	1799018
1000320099BSM	4499090	1000522984BSM	4499082	151338BSM	1699005
1000320182BSM	4480053	1000523006BSM	4499083	151339BSM	1614007
1000320398BSM	4499055	1000525725BSM	4499084	151385BSM	1617009
1000320402BSM	4499056	1000530645BSM	3099057	160041BSM	1513004
1000320709BSM	4499094	1000533723BSM	1614010	170145BSM	3275002
1000321264BSM	4480054	1000534258BSM	1814005	173090BSM	2499006
1000323248BSM	4499057	1000555333BSM	4399132	18-03543	1517008
1000323252BSM	4499058	1000564554BSM	4499091	18-04345	3117001
1000338252BSM	4480055	1000570789BSM	4480069	1975003BSM	1975003
1000338254BSM	4480056	1000579313BSM	4480073	1E4582	1517012
1000338797BSM	4099200	1000579951BSM	4480074	203090BSM	1099026
1000339434BSM	4499064	1000580123BSM	4475067	203235BSM	1014006
1000339437BSM	4499065	1000580166BSM	4475068	203236BSM	1014007
1000341855BSM	4480059	1000611575BSM	4499087	203819KYS	4399087
1000342516BSM	4475041	1000619405BSM	1717016	275230KYS	1075012
1000342540BSM	4099203	1000624505BSM	2013007	275232KYS	1099126
1000346064BSM	2499108	1000638620BSM	4499096	275241KYS	1075034
1000346164BSM	2499127	1000749149BSM	4499089	280354BSM	1775003
1000346874BSM	2414008	1000776664BSM	4099207	290247BSM	2799055
1000347886BSM	4499088	1000848621BSM	4480092	300127KYS	4399117
1000348310BSM	2499124	1000852590BSM	4480093	3475053BSM	3475053
1000348325BSM	2499121	1000860729BSM	2099026	3475069BSM	3475069
1000348343BSM	2499128	1000860818BSM	2514003	360223BSM	3275004
1000348350BSM	2412015	1000925194BSM	2599088	3S011458	1717015

This listing shows parts that are similar in physical interchangeability and function. Cross reference lists should not be used as application guides. Please refer to the proper listing in the applications section for specific make and model recommendations.

CLIMATECH	
Climatech Number	Kysor Number
3X011018	1717012
3X011171	1617013
4308SAN	1410073
4314S	1401460
4379-6000	1401424
4379-6000	1410080
4420SAN	1401201
4434SAN	1401225
4482SAN	1401399
4485SAN	1401346
4493SAN	1401362
4513SAN	1401348
4516SAN	1401140
4530SAN	1401332
454512BSM	4099050
454587BSM	4099054
454634BSM	4099046
454635BSM	4099044
454641BSM	4099052
454641BSM	4099053
454651BSM	4099011
454691BSM	4099070
454724BSM	4099021
454725BSM	4099022
454738BSM	4099023
454753BSM	4099039
454754BSM	4099038
454758BSM	4099037
454802BSM	4099067
454873BSM	4099024
454991BSM	4099057
4617SAN	1401367
4618SAN	1401347
4618SAN	1410036
4618SAN	1401450
4626SAN	1401107
4643SAN	1401330
4645SAN	1401110
4645SAN	1412001
464980BSM	4399123
4652SAN	1401113
4653SAN	1401433
4663SAN	1401331
4666SAN	1401117
4672SAN	1401118
4672SAN	1412002
4695-9931	1399068
4739SAN	1410084

CLIMATECH	
Climatech Number	Kysor Number
4739SAN	1401374
4775AFT	1401386
4819SAN	1401339
4822SAN	1401133
4823SAN	1412005
4823SAN	1401378
4860SAN	1401202
4863-1341	1401328
4864SAN	1401206
4866-6340	1401326
486684-5008	1514022
4867-6340	1401327
4869-6340	1401329
488-45063	1403112
4890SAN	1401379
4893SAN	1401380
4893SAN	1401525
4895SAN	1401382
4896SAN	1401383
500105BSM	3275014
500169BSM	4099003
500198BSM	4099106
5072SAN	1401391
518930BSM	4399058
520513BSM	4480002
520939BSM	4099144
525222BSM	4399001
525588BSM	2575024
525970BSM	1403127
526346BSM	1403150
529904BSM	4099132
530608BSM	2999060
530718BSM	4099012
530719BSM	4099013
530724BSM	4099014
530805BSM	4099029
530826BSM	4099000
531005BSM	3999114
531019BSM	4099146
540056BSM	1899031
550167BSM	2640802
560065BSM	4099025
560101BSM	4099082
560246BSM	3999148
589620BSM	2640800
589660BSM	2640797
5S013317	1617010
5S013817	3117002

CLIMATECH	
Climatech Number	Kysor Number
5S013997	2417003
5S014010	3117003
5X010083	4399007
5X012834	2118004
600115BSM	4399126
600187BSM	4099147
600283BSM	4475044
604204BSM	4099120
610102BSM	4099148
622290BSM	4399091
630001BSM	4399078
630049BSM	4099133
630057BSM	4099149
650436BSM	2214004
650446BSM	2299101
650465BSM	2114007
650697BSM	2214002
6511-6010	1399041
651225BSM	4099075
651251BSM	4099170
651264BSM	2399023
651383BSM	4099091
652518BSM	4099171
652541BSM	4099150
652542BSM	4099151
652544BSM	4499003
652578BSM	2214003
660706BSM	4099100
660707BSM	4099101
660715BSM	4099152
660724BSM	4099059
660778BSM	4099103
660827BSM	4099104
670136BSM	4099206
670137BSM	4099201
756718CBMS	1299024
7822SAN	1401384
868649BSM	4099080
869808BSM	2414004
869942BSM	3475077
870001BSM	4099125
870059BSM	4099045
870143BSM	4099017
870188BSM	4099041
870192BSM	4099040
870224BSM	4099068
870235BSM	4099033
870236BSM	4099027

Climatech

This listing shows parts that are similar in physical interchangeability and function. Cross reference lists should not be used as application guides. Please refer to the proper listing in the applications section for specific make and model recommendations.

CLIMATECH		CLIMATECH		CLIMATECH	
Climatech Number	Kysor Number	Climatech Number	Kysor Number	Climatech Number	Kysor Number
870331BSM	4099028	AB3150	1408054	AB3535	2611552
870405BSM	4099135	AB3155	1408020	AB3540	2611592
870513BSM	4099043	AB3180	1408027	AB3545	2611502
871245BSM	4099156	AB3185	1408022	AC1030	2799218
871303BSM	4099111	AB3190	1408023	AC1060	2799216
871425BSM	4099119	AB3195	1408024	AC1065	2799015
880048BSM	3699003	AB3200	1408025	AC1065	2799217
890077BSM	2599050	AB3205	1408036	AC1070	2799116
AA1040	2610002	AB3210	1408037	AC1110	2799117
AA1045	2610001	AB3215	1408038	AC1115	2799118
AA1055	2610003	AB3220	1408034	AC1125	2799210
AA1145	2799085	AB3225	1408035	AC1170	2799013
AA1150	2799087	AB3230	1408030	AC1175	2799014
AA1195	2799101	AB3235	1408031	AC1180	2799115
AA1290	3475002	AB3260	2899010	AC1185	2799019
AA1295	3475003	AB3275	2899014	AC1190	2799016
AA1300	3475004	AB3290	1408043	AC1195	2799017
AA1305	3475005	AB3295	1408044	AC1200	2799018
AA1310	2610009	AB3300	1408047	AC1205	2799020
AB1175	2622551	AB3305	1408048	AC1210	2799021
AB1645	2611152	AB3320	1408049	AC1215	2799022
AB2090	1409008	AB3325	1408050	AC1220	2799023
AB2135	2610777	AB3330	1409010	AC1225	2799024
AB2220	2621101	AB3340	2622401	AC1230	2799025
AB2250	2621192	AB3345	2622403	AC1235	2799026
AB2255	2621193	AB3390	1408045	AC1240	2799027
AB2330	2622193	AB3395	1408046	AC1245	2799028
AB2620	2620793	AB3400	1408051	AC1250	2799029
AB2695	2621692	AB3405	1408052	AC1255	2799030
AB2710	2621603	AB3420	2499052	AC1285	2799031
AB2715	2621693	AB3445	2999036	AC1295	2799032
AB2730	2621604	AB3450	2999037	AC1315	2799107
AB2735	2621694	AB3455	2899026	AC1320	2799108
AB2780	2612102	AB3460	2899027	AC1325	2799110
AB2800	2612192	AB3465	2610012	AC1340	2799105
AB2805	2612193	AB3470	2610013	AC1350	2712001
AB2995	2622651	AB3475	2610010	AC1355	2712002
AB3015	2621651	AB3480	2610011	AC1360	2712003
AB3020	2621652	AB3485	2610905	AC1365	2712004
AB3065	2621606	AB3490	2611553	AC1370	2712005
AB3075	2621656	AB3495	2611593	AC1375	2712006
AB3085	2621696	AB3500	2611503	AC1380	2712007
AB3110	1408017	AB3505	2611554	AE1035	4399027
AB3125	1408013	AB3510	2611594	AE1060	1408006
AB3130	1408014	AB3515	2611504	B173148BSM	2475006
AB3135	1408015	AB3520	2611551	B201320BSM	4099161
AB3140	1408016	AB3525	2611591	B203603BSM	4099162
AB3145	1408053	AB3530	2611501	B208413BSM	4499034

This listing shows parts that are similar in physical interchangeability and function. Cross reference lists should not be used as application guides. Please refer to the proper listing in the applications section for specific make and model recommendations.

CLIMATECH	
Climatech Number	Kysor Number
B280279BSM	1799009
B290012	4399092
B300222BSM	4475015
B300642BSM	4099136
B316000BSM	2799088
B330155BSM	2640701
B360224BSM	3275005
B360924BSM	4099004
B400189	1699006
B402848	1404025
B404028BSM	2399004
B407351BSM	3199008
B411384	1075058
B417227BSM	3499010
B502230BSM	2799073
B512388BSM	4399035
B936213	BSP00019HEAT12
B944184	1099098
BA1000	2114001
BA1005	2114002
BA1040	2117001
BA1060	2118002
BA1065	2199027
BA1080	2114003
BA1095	2199003
BA1100	2199021
BA1140	2299006
BA1145	2199002
BA1165	2175004
BA1180	2199010
BA1205	2199008
BA1215	2199019
BA1240	2299008
BA1245	1899011
BA1260	2199023
BA1305	2199009
BA1325	2112001
BA1395	2175002
BA1410	2113002
BA1415	2113001
BA1435	2199022
BA1440	2118001
BA1455	2113003
BA1475	2299031
BA1500	2112008
BA1520	2212005
BA1525	2112002
BA1540	2010007

CLIMATECH	
Climatech Number	Kysor Number
BA1600	2211007
BA1605	2212006
BA1620	2212004
BA1635	2213009
BA1640	2213012
BA1645	2213013
BA1650	2213014
BA1655	2299036
BA1660	2299037
BA2955	2112013
BA2960	2118003
BA3075	2299035
BA3210	2112005
BB1000	2299005
BB1005	2299010
BB1105	2299001
BB1110	2275005
BB1120	2213001
BB1145	2213006
BB1375	2210001
BB1386	2213016
BB1390	2213007
BB1400	2299002
BB1405	2213010
BB1410	2213003
BB1415	2299013
BB1420	2213002
BB1455	2212001
BB1460	2212002
BC1000	2299003
BC1020	2299033
BD1035	2399019
BD1045	2399011
BD1055	2313001
BD1075	2399005
BD1080	2312001
BD1090	2399001
BD1105	2399003
BD1290	2399018
BD1335	2318001
BD1340	2399006
BD1405	2375001
BD1420	2399010
BD1430	2318002
BD1490	2313003
BD1510	2399017
BD1530	2313002
BD1545	2318004

CLIMATECH	
Climatech Number	Kysor Number
BD1555	2312002
BD1560	2312003
BE1000	2199007
BE1035	2199006
BSM869367	1113002
C20011S	1717013
CA1000	2099005
CA1005	2099006
CA1020	2012006
CA1040	2012005
CA1070	2017001
CA1075	2013005
CA1095	2013003
CA1105	2013004
CA1115	2018001
CA1170	2012007
CA1195	2015003
CB1005	2099003
CB1080	2099002
CB1110	2099023
CB1115	2099013
CB1315	2011001
CB1320	2010009
CB1325	2010010
CB1330	2012001
CB1340	2012003
CC2920	2199048
CC2925	2199041
CC2930	2199042
CC3915	2199037
CC3920	2199038
CC3930	2199039
CC3940	2199032
CD1000	1899020
CD1015	1899018
CD1070	4399006
DA1160	3212008
DB1000	2114004
DB1010	3299048
DB1015	3299047
DB1050	3299046
DB1080	3299045
E525095BSM	1099134
EA1005	1899008
EA1020	1875003
EA1030	1899026
EA1075	1899005
EA1090	1814006

Climatech

This listing shows parts that are similar in physical interchangeability and function. Cross reference lists should not be used as application guides. Please refer to the proper listing in the applications section for specific make and model recommendations.

CLIMATECH		CLIMATECH		CLIMATECH	
Climatech Number	Kysor Number	Climatech Number	Kysor Number	Climatech Number	Kysor Number
EA1225	1813001	FD1020	2599037	GE1155	3112009
EA1315	1817001	FD1025	2575003	HA1010	1099013
EA1385	1813002	FD1030	2599070	HA1025	1075006
EA1415	1899041	FD1040	2575010	HA1050	1012009
EA1455	1812005	FD1045	2599038	HA1060	1099022
EA1465	1812006	FD1055	2575004	HA1070	1099007
EA1470	1812007	FD1070	2575006	HA1125	1099024
EA1475	1812008	FD1075	2575008	HA1155	1099011
EA1485	1812010	FD1100	2575005	HA1165	1015002
EA1490	1812011	FD1120	2599041	HA1195	1099023
EC1010	1810003	FD1130	2599043	HA1250	1011016
EC1015	1899003	FD1135	2599044	HA1415	1099072
EC1020	1811001	FD1225	2512007	HA1420	1099029
EC1025	1899002	FE1000	4399144	HA1520	1014002
EC1030	1810002	FF1130	2199058	HA1525	1099127
EC1035	1899021	FR1000	3475056	HA1575	1075031
EC1065	1899013	FR1005	3175006	HA1585	1099003
EC1070	1899014	FR1010	3475036	HA1595	1099006
EC1075	1899015	FR1015	3475057	HA1600	1099032
EC1080	1813008	FR1020	3175005	HA1605	1014003
F37-1002	1914008	GA1020	3275003	HA1640	1075009
F37-1022-100	1914010	GA1190	2799086	HA1705	1013008
F37-1022-200	1914011	GB1020	3299029	HA1710	1099015
F37-1023	1914012	GB1035	3299002	HA1770	1075017
F37-6002	1914015	GB1050	3299004	HA1805	1099033
F37-6011	1917010	GB1060	3299030	HA1820	1018003
F37-6012	1914006	GB1185	3299020	HA1825	1017004
F45-1001	4099005	GB1235	3212002	HA1830	1018002
F45-1002	4099002	GB1240	3299031	HA1835	1013005
F69-6001-253	1410016	GB1245	3299032	HA1850	1013009
F69-6003-141	1401446	GB1250	3299033	HA1855	1013007
F69-6003-141	1412014	GB1255	3299034	HA1870	1099063
F69-6003-215	1401507	GB1335	3212005	HA1950	1099080
F90-6000	1817003	GB1370	3299043	HA1960	1099034
F90-6001	1817004	GD1000	3199041	HA1965	1099050
FA1000	2599020	GD1020	3113003	HA1970	1099051
FA1010	2599015	GD1140	3112005	HA1990	1013004
FA1050	2599057	GD1145	3112006	HA2000	1099014
FA10555	2599045	GD1150	3199030	HA2005	1099012
FA1075	2599009	GD1160	3113004	HA2070	1011003
FA1165	2599005	GD1165	3112001	HA2150	1011014
FA1365	2512003	GD1170	3113006	HA2155	1012006
FA1370	2299100	GD1175	3112010	HA2160	1012010
FC1000	4399005	GD1185	3118002	HA2170	1099064
FC1020	3899026	GD1190	3118003	HA2175	1099030
FC1035	4399029	GD1195	3199086	HA2180	1099052
FD1000	2599036	GE1000	4399143	HA2185	1099053
FD1015	2599025	GE1145	3112007	HA2205	1099054

This listing shows parts that are similar in physical interchangeability and function. Cross reference lists should not be used as application guides. Please refer to the proper listing in the applications section for specific make and model recommendations.

CLIMATECH	
Climattech Number	Kysor Number
HA2210	1099055
HA2230	1099059
HA2340	1015006
HA2365	1018006
HA2370	1015007
HA2385	1012016
HA2400	1099132
HB1010	1075051
HB1070	1099021
HB1085	1017003
HB1105	1075011
HB1115	1017001
HB1135	1099048
HB1155	1011015
HB1395	1099019
HB1570	1099018
HB1589	1017007
HB1625	1099025
HB1670	1099047
HB1750	1099069
HC1000	1199035
HC1015	1199010
HC1065	1275003
HC1070	1299016
HC1075	1199001
HC1080	1299013
HC1105	1199015
HC1120	1113001
HC1125	1199026
HC1170	1199049
HC1185	1117001
HC1270	1199012
HC1280	1199008
HC1325	1199003
HC1335	1299019
HC1345	1115001
HC1350	1199009
HC1385	1113002
HC1395	1118001
HC1405	1113003
HC1420	1199023
HC1430	1115003
HC1470	1199043
HC1475	1199024
HC1485	1199044
HC1490	1199038
HC1565	1199055
HC1580	1299014

CLIMATECH	
Climattech Number	Kysor Number
HC1590	1299017
HC1595	1275005
HC1600	1299015
HD1020	1299001
HD1085	1299027
HD1090	1299007
HD1145	1299008
HD1150	1299010
HD1240	1299023
HD1245	1299021
HE1005	1407005
HE1010	4399147
HE1015	1407002
HE1120	1407008
HE1185	1407009
HE1335	1407002
HE1480	3799020
HE1575	3713011
HE1630	3799034
HE1640	3475066
HF1060	1199045
HF1530	1117002
HF1545	1075022
HG1025	4399060
HG1060	2175003
JA1045	1975004
JA1085	1999009
JA1090	1999011
JA1095	1915005
JA1110	1999022
JA1130	1999007
JA1155	1999030
JA1165	1999226
JA1170	1999016
JA1240	1999203
JA1270	1918001
JA1605	1999032
JA1840	1999202
JA1870	1919001
JA2005	1999037
JA2015	1999029
JA2050	1918005
JA2055	1919002
JA2080	1918004
JA2140	1917001
JA2235	1919003
JA2245	1914005
JA2260	1912014

CLIMATECH	
Climattech Number	Kysor Number
JB1030	2999091
JC1080	1999225
JC1085	1999012
JC1195	1910002
JC2110	1999013
JC2145	1999004
JC2155	1911013
JD1000	1999200
K122-128	1514016
K122-93	1514007
K142-537-1	3314001
KA1005	1313008
KA1010	1399027
KA1035	1399004
KA1045	1312001
KA1080	1399014
KA1085	1399017
KA1090	1399046
KA1095	1399005
KA1395	1313005
KA1400	1399008
KA1410	1312002
KA1460	1399013
KA1475	1313006
KA1490	1313002
LA1010	1408040
LA1035	1408039
LA1040	1408009
LA1045	1408010
LA1225	1812004
LA1230	1408002
LA1250	1408001
LA1270	1408005
LC2100	1402002
LE0111	1410022
LE1085	1401371
LE1145	1401108
LE1290	1401135
LE1290	1410071
LE1610	1401101
LE1625	1403015
LE1630	1401407
LE1640	1410004
LE1690	1401106
LE1695	1401360
LE1700	1401127
LE1700	1410092
LE1705	1410023

Climatech

This listing shows parts that are similar in physical interchangeability and function. Cross reference lists should not be used as application guides. Please refer to the proper listing in the applications section for specific make and model recommendations.

CLIMATECH		CLIMATECH		CLIMATECH	
Climatech Number	Kysor Number	Climatech Number	Kysor Number	Climatech Number	Kysor Number
LE4418	1401389	MA1620	2499068	NA1015	1617007
LE4418	1410088	MA1625	2499069	NA1020	1614002
LE4603	1410057	MA1645	2412010	NA1030	1614005
LE4815	1401426	MA1655	2412007	NA1040	1699002
LE4816	1410046	MA1665	2418003	NA1045	1614008
LF0111	1410022	MA1670	2418001	NA1050	1699004
LF0121	1410003	MA1705	2115003	NA1060	1614009
LF0122	1410002	MA1725	2113009	NA1125	1675001
LF0231	1410019	MA1730	2113010	NA1175	1699013
LF1005	1403001	MA1735	2412013	NA1190	1615003
LF1040	1403104	MB0200-01S	2117006	NA1265	1613003
LF1055	1403111	MB0201-01S	2417002	NA1270	1613002
LF1060	1404028	MC1020	1717006	NA1275	1613001
LM1020	3099007	MC1030	1714004	NA1280	1613005
LM1030	3099054	MC1045	1799007	NA1285	1613006
LM1130	2999031	MC1055	1714006	NA1290	1613007
LM1135	3099065	MC1085	1799005	NA1300	1618005
LM11450	3099064	MC1130	1717004	NA1305	1618002
LM1155	3099042	MC1165	1717002	NA1495	1615011
LM1165	3099047	MC1235	1715002	NA1500	1612002
LM1180	3099071	MC1240	1715007	NA1501-02S	1617011
MA0200-01S	2199066	MC1340	1713003	NA1510	1612011
MA1020	2499002	MC1345	1713001	NA1515	1612012
MA1025	2475002	MC1350	1713004	NB1045	1615008
MA1040	2499003	MC1355	1713005	NC1010	1617005
MA1050	2499038	MC1365	1717005	P93CAA3100-01S	2017002
MA1060	2499031	MC1375	1718001	P93CAA3100-01S	2017004
MA1065	2411005	MC1390	1799014	PA0125	1514017
MA1085	2499005	MC1590	1712004	PA1275	1515002
MA1140	2499045	MC1595	1799010	PA1280	1513028
MA1150	2799037	MC1600	1799011	PA1285	1513027
MA1205	2417001	MC1605	1799012	PA1290	1513019
MA1235	2499044	MC1610	1799013	PA1305	1513022
MA1280	2411003	MC1615	1799015	PA1420	BSP00011COND12
MA1350	2413004	MC1620	1799016	PA1425	BSP00011COND24
MA1355	2413003	MC1635	1718006	PA1430	1575001
MA1465	2413006	MC1640	1612006	PA1435	1575002
MA1485	2413005	MC1675	1715008	PA1450	1599005
MA1490	2499044	MC1680	1713007	PA1455	1575005
MA1500	2411001	MC1685	1713009	PA1480	3475027
MA1505	2411007	MC1690	1712007	PA1560	1512002
MA1520	2499041	MC1695	1712008	PA1565	1512003
MA1525	2499042	MC1710	1712011	PA1570	1599011
MA1535	2499043	MD1015	2799084	PB1030	1599005
MA1565	2410001	MD1085	2600013	PB1200	1513011
MA1585	2410004	ME1045	1409001	PB1215	1513008
MA1595	2411004	ME1050	4399076	PB1220	1513017
MA1610	2412005	NA0151	1617015	PB1265	1512001

This listing shows parts that are similar in physical interchangeability and function. Cross reference lists should not be used as application guides. Please refer to the proper listing in the applications section for specific make and model recommendations.

CLIMATECH	
Climatech Number	Kysor Number
PB1275	1518010
PB1280	1518011
PB1295	1511005
PB1305	1511007
PB1310	1512004
PB1315	1512005
PB1320	1515003
PB1330	1515004
PB1335	1515005
PB1340	1515006
PB1365	1518012
PB1375	1599101
PB1390	1599014
PB1395	1599015
PB1400	1599119
PB1410	1512007
PB1505	1513001
PB1530	1518008
PB1535	1518009
PB1540	1510020
PB1545	1515013
PB1550	1515014
PB1560	1512010
PB1565	1512011
PB15700	1515015
PB1575	1515016
PB1580	1515017
PB1590	1510018
PB1600	1511019
PB1605	1513029
PB1610	1515018
PB1615	1511020
PB1625	1511018
PB1650	1512015
PB1660	1512017
PB4015	1517011
PB6097	1517016
RD5-8785-2	1099153
S6671	1401104
SR2000037	2113007
SR2000042	2113005
SR2000007	1075059
SR2000071	2117005
SR2000009	1099020
SR2000010	1017005
SR2000012	1614004
SR2000013	2414010
SR2000014	2414012

CLIMATECH	
Climatech Number	Kysor Number
SR2000017	2199069
SR2000018	1099094
SR2000019	1714005
SR2000020	2314002
SR2000021	1117003
SR2000022	2499118
SR2000023	1199007
SR2000025	1014005
SR2000026	2414011
SR2000027	1099002
SR2000028	2499110
SR2000030	2599049
SR2000031	1714007
SR2000033	1017006
SR2000035	2099004
SR2000036	2499126
SR2000040	1099092
SR2000041	2199005
SR2000045	2199067
SR2000046	2199063
SR2000049	3114001
SR2000050	2499120
SR2000051	1614006
SR2000053	2414007
SR2000057	3199021
SR2000059	3114003
SR2000060	1717008
SR2000062	1614003
SR2000065	4399045
SR2000066	3299049
SR2000067	1199006
SR2000072	2017003
SR2000073	2599071
SR2000077	1914004
SR2000078	1617006
SR2000080	2499117
TB1005	2799098
TB1010	2799099
TB1015	2799100
TB1025	2799095
TB1030	2799097
TG1025	4399084
UB1120	4399055
UB1230	4399053
UB1380	4399054
UC1045	2610005
UC1225	2999005
UC1280	2999003

CLIMATECH	
Climatech Number	Kysor Number
UC1285	2999004
UC1295	2999007
UC1300	2999006
UC1325	2999021
UC1340	2999026
UC1355	2999009
UC1360	2999013
UC1390	2999075
UC1395	2112015
UC1415	2999097
UC1425	2999099
UC1440	2999102
UC1445	2999103
UC1455	2999085
UC1460	2999086
UD1025	4399050
UE1100	4399068
UE1205	3199045
UE1210	3199053
UE1215	3199032
UE1220	3199031
UE1225	3199025
UE1230	3199027
UE1235	3199054
UE1240	3199055
UN1020	3475006
UN1025	1599100
UN1075	3475047
UN1080	3375022
VA1075	2999019
VA1180	2999107
VA1185	2999108
VA1190	2999109
VB1405	2799103
VC1090	1899022
VC2000	2899100
VE1025	2999034
VE1030	2999041
VE1035	2999032
VE1040	2999033
VE1055	2999030
VG1085	2799102
VH1020	2799201
VH1025	2799200
VH1050	2899030
VH1055	2899001
VH1060	2899002
VH1065	2899005

Euclid

This listing shows parts that are similar in physical interchangeability and function. Cross reference lists should not be used as application guides. Please refer to the proper listing in the applications section for specific make and model recommendations.

CLIMATECH	
Climatech Number	Kysor Number
VH1070	2899024
VH1075	2899025
VH1080	1409012
VH1085	1409011
VH1090	2899003
VH1095	2899004
VH1100	2899006
VH1105	1409018
VH1110	1409017
VH1115	2899032
VH1120	2899033
VH1125	1409013
VH1130	1409016
VH1140	2899031
VH1145	2899028
VH1150	1409004
VH1155	1409005
VH1160	2799202
VH1165	1409002
VH1180	1409003
VH1185	1409009
VH1200	2899029
VH1220	1409014
VH1235	2899016
VH1265	2899015
VH1270	1407010
VH1295	2999049
VH1305	1409007
VH1310	1409006
VK1000	1407001
VK1015	1407004
Z9784001	1814003

DCM	
DCM Number	Kysor Number
1874	2799039
1908	2799215
1969-W-N	3275007
2323-A	1199037
2323-B	1175003
D-001-428	1099054
D-001-441	1099033
D-001-441	1099077
D-001-441LL	1099051
D001-483	1099124
D-001-483	1075031

DCM	
DCM Number	Kysor Number
D001-483-3	1099125
D-001-490	1012015
D-001-521	1099059
D-001-582	1099032
D-001-584	1099029
D-001-632	1099048
D-001-680-24	1075017
D-001-969	1099159
D-001-969-02	1099160
D-001C-449BB	1099040
R-2042-A	1199007
TA00300012	1099156
TA0150003	1099120

EATON	
Eaton Number	Kysor Number
329-418	1817001
329-431	1899005
712-084	1999030
712-225	1915005
712-244	1999011
712-245	1999016
712-264	1999011
712-578	1999009
712-578	1999022
712-821	1999007
735-203	2299005
826-012	1813002
826-030	1899008
826-059	1899026
826-062	1875003
826-081	1813001
912-579	1999034
929-503B	1813007
9533N478	2399006
9533N512	2399003

EUCLID	
Euclid Number	Kysor Number
E-801161	1401104
E-801172	1401107
E-801177	1401108
E-801221	1403004
E-801314	1403100

EUCLID	
Euclid Number	Kysor Number
E-801321	1403104
E-801324	1403112
E-801512	1402002
E-801901	1407001
E-801906	1407004
E-801912	1599100
E-802147	1399041
E-802500	1399004
E-802501	1313005
E-802502	1399046
E-802508	1312001
E-802511	1399027
E-802516	1399013
E-802520	1399017
E-802530	1399046
E-802543	1399005
E-802547	1313006
E-802548	1313006
E-802561	1313002
E-803002	1099007
E-803008	1099006
E-803012	1011015
E-803014	1099006
E-803016	1075006
E-803025	1099022
E-803027	1075031
E-803028	1099015
E-803029	1099004
E-803031	1099024
E-803033	1014002
E-803034	1075017
E-803043	1099021
E-803045	1099011
E-803057	1099003
E-803061	1017001
E-803064	1011016
E-803089	1012009
E-803101	1013015
E-803101	1099014
E-803102	1099003
E-803117	1011003
E-803122	1099063
E-803127	1099002
E-803128	1018002
E-803129	1013004
E-803129	1013005
E-803465	1299004
E-803469	1299001

This listing shows parts that are similar in physical interchangeability and function. Cross reference lists should not be used as application guides. Please refer to the proper listing in the applications section for specific make and model recommendations.

EUCLID		EUCLID		EUCLID	
Euclid Number	Kysor Number	Euclid Number	Kysor Number	Euclid Number	Kysor Number
E-803469	1299006	E-806006	2413005	E-807303	2299013
E-803803	1199015	E-806010	2499044	E-807326	2299001
E-803809	1275003	E-806011	2499045	E-807330	2275005
E-803810	1113002	E-806012	2413006	E-807331	2299013
E-803816	1199013	E-806016	2413004	E-807335	2213002
E-803820	1199007	E-806028	2411005	E-807339	2299002
E-803820	1199035	E-806030	2499006	E-807347	2299005
E-803824	1199008	E-806040	2499017	E-807349	2299001
E-803826	1199010	E-806062	2499002	E-807350	2213001
E-804003	1999029	E-806063	2499038	E-807351	2299010
E-804007	1999030	E-806065	2499005	E-807355	2213007
E-804019	1999226	E-807000	2313002	E-807357	2299006
E-804021	1999012	E-807001	2318002	E-807509	2099002
E-804023	1999012	E-807003	2399006	E-807517	2099003
E-804025	1918001	E-807004	2399018	E-807530	2099023
E-804039	1917001	E-807006	2399019	E-807533	2099003
E-804065	1999022	E-807008	2399004	E-807534	2199036
E-804070	1915005	E-807008	2399022	E-807601	2012005
E-804084	1999009	E-807011	2399006	E-807602	2012006
E-804092	1999203	E-807016	2399003	E-807603	2013003
E-804098	1999011	E-807017	2399010	E-807604	2013003
E-804100	1999007	E-807018	2313001	E-807607	2099004
E-804101	1999016	E-807019	2375001	E-807608	2099006
E-804103	2012007	E-807021	2399011	E-807609	2099005
E-804118	1919001	E-807034	2312001	E-807610	2099004
E-804118	1919002	E-807035	2318001	E-807982	1899011
E-804121	1999030	E-807038	2399005	E-807984	2575003
E-804132	1999032	E-807100	2199008	E-807984	2575008
E-804142	1999221	E-807103	2175003	E-807996	2199003
E-804150	1919002	E-807104	2113001	E-808010	1409010
E-804152	1999226	E-807105	2113002	E-808011	1409008
E-804154	1999011	E-807106	2199005	E-808017-10	1408014
E-804156	1999034	E-807109	2114002	E-808017-8	1408013
E-805012	1899008	E-807111	2199007	E-808019-10	1408009
E-805013	1899008	E-807115	2199009	E-808019-8	1408010
E-805015	1899026	E-807116	2199006	E-808024-10	1408054
E-805016	1875003	E-807120	2114001	E-808024-8	1408053
E-805022	1813001	E-807121	2113003	E-808025-8	1408020
E-805026	1899005	E-807123	2199010	E-808027-10	1408015
E-805044	1812004	E-807124	2117001	E-808027-8	1408006
E-805047	1810003	E-807126	2199009	E-808028-10	1408005
E-805048	1810002	E-807129	2118001	E-808028-10?	1408016
E-805049	1811001	E-807200	2212001	E-808034-10	1408027
E-805050	1899003	E-807200M-10	2212002	E-808035-10	1408023
E-805051	1899002	E-807201	2299033	E-808035-8	1408022
E-806001	2499040	E-807250	2299100	E-808036-10	1408025
E-806002	2411003	E-807251	2299008	E-808036-8	1408024
E-806005	2413006	E-807252	2299003	E-808038-10	1408037

Evans

This listing shows parts that are similar in physical interchangeability and function. Cross reference lists should not be used as application guides. Please refer to the proper listing in the applications section for specific make and model recommendations.

EUCLID	
Euclid Number	Kysor Number
E-808038-12	1408038
E-808038-8	1408036
E-808039-10	1408035
E-808039-8	1408034
E-808041-10	1408031
E-808041-8	1408030
E-808051	1409011
E-808110-8	2612102
E-808212-10	2622193
E-808220-6	2611201
E-808221-10	2611153
E-808221-8	2611152
E-808222-10	2611193
E-808222-6	2611191
E-808230-12	2612204
E-808231-6	2612251
E-808232-10	2612293
E-808232-10-12	2612298
E-808232-12	2612294
E-808232-6	2612291
E-808233-10	2622403
E-808233-6	2622401
E-808236-8	2612502
E-808237-6	2622551
E-808238-10	2612593
E-808238-6	2612591
E-808238-8	2612592
E-808239-6	2612281
E-808444-10	1408050
E-808444-8	1408049
E-808445-10	1408052
E-808445-8	1408051
E-808550-8	2610772
E-808622-10-12	2611198
E-808630-8-10	2612208
E-808632-8-10	2612297
E-808812-10	2612193
E-808812-8	2612192
E-808848R-12	2610904
E-808906	2899025
E-808907	2899024
E-808913	1409003
E-808919	1409004
E-808920	1409005
E-808921	1409002
E-808922	2899028
E-808923	2899032
E-808924	2899033

EUCLID	
Euclid Number	Kysor Number
E-808925	1409011
E-808925	1409016
E-808926	1409007
E-808928	1409018
E-808929	1409017
E-808930	2899006
E-808931	2899004
E-808932	2899003
E-808934	2899002
E-808935	2899001
E-808941	2899029
E-808943	2899015
E-808952	1409012
E-808957	1409001
E-808990	2610001
E-808991	2610002
E-808992	2610003
E-808993	2610004
E-809073	2799015
E-809142	2640703
E-809150	2640701
E-809151	2499052
E-809510	2640774
E-809601	2799200
E-809650	2799013
E-809652	2799115
E-809653	2799015
E-809653	2799217
E-809654	2799019
E-809655	2799116
E-809655	2799218
E-809656	2799016
E-809657	2799117
E-809658	2799017
E-809659	2799118
E-809660	2799018
E-809661	2799020
E-809662	2799021
E-809663	2799023
E-809664	2799024
E-809665	2799025
E-809666	2799026
E-809668	2799028
E-809669	2799029
E-809670	2799030
E-809672	2799014
E-809673	2799217
E-809689	2799022

EUCLID	
Euclid Number	Kysor Number
E-809724	2799032
E-809729	2799031
E-811033	1613001
E-811041	1699004
E-811056	1617007
E-811059	1614002
E-811099	1615003
E-811104	1699002
E-812033	1713004
E-812034	1713001
E-813001	4399068
E-813025	2610005
E-813070	2999019
E-813080	2999007
E-814034	3099054
E-814043	2999032
E-814100	2899100
E-819150	1515002

EVANS	
Evans Number	Kysor Number
AM80132	1399004
AM80411	1409008
AM80435	1408005
AM80800	2175003
AM80803	2299006
AM80805	2275005
AM80806	2299003
AM80819	1899011
AM80822	1812004
AM81000	2399010
AM81002	2399022
AM81003	2399019
AM81005	2318002
AM81011	2399005
AM81017	2399011
AM81800	2299005
AM82204	1999029
AM82209	1999007
AM82212	1999009
AM82214	1999203
AM82244	1999030
AM83502	1275003
AM84031	1199009
AM84415	2799015
AM84416	2799116

This listing shows parts that are similar in physical interchangeability and function. Cross reference lists should not be used as application guides. Please refer to the proper listing in the applications section for specific make and model recommendations.

EVANS	
Evans Number	Kysor Number
AM84417	2799117
AM84418	2799118
AM84478	2612102
AM86011	2799084
AM86012	2799085
AM86014	2799086
AM86015	2799087
AM86021	2600013
AM86397	1075031
AM86502	1099007
AM86507	1099022
AM86551	1099003
AM86553	1099006
AM86558	1075006
AM87011	1599005
AM89801	1899008
AM89803	1875003
HC22498	2411005
HV033015	2599057
HV30615	1117002
HV31147	1999226
HV31224	2612192
HV31225	2612193
HV32890	1999037
HV33061	2399003
HV33208	1017001
HV80010	1399017
HV86524	1011015
RV011245	1999254

EVERCO	
Everco Number	Kysor Number
900302	1099007
900309	1099006
900314	1011015
900318	1075017
900335	1099015
900350	1099002
900354	1099021
900506	1199015
900513	1275003
900516	1199009
902582	1408013
902583	1408014
902602	1409008
902617	1408002

EVERCO	
Everco Number	Kysor Number
902618	1408054
902621	1408053
902622	1408001
902635	1408006
904346	1399005
904354	1312001
904360	1399017
904372	1399027
904412	1399004
909203	1899026
909204	1813001
909212	1899008
909230	1875003
909600	1810003
913001	2600013
914514	2411003
914546	2499045
914626	2411005
914628	2499006
914900	2499002
914901	2499038
920003	1999029
920005	1999009
920021	1999011
920022	1915005
920030	1999030
920050	1999007
920053	1999226
920073	1918001
920074	1999203
921332	2612102
921352	2612192
921353	2612193
923030	2099003
923406	2799015
923408	2799116
923410	2799117
923412	2799118
924500	1812004
924600	1899011
925450	2199019
925512	2175003
925515	2112001
925516	2199006
925525	2199023
925530	2199008
925560	2099005
925602	2318002

EVERCO	
Everco Number	Kysor Number
925608	2399011
925610	2399018
925614	2399019
925620	2399004
925625	2399003
925628	2399005
925634	2399010
925640	2375001
925700	2275005
925712	2299005
925715	2299100
925716	2299003
925717	2299008
925722	2299006
925727	2299001
925728	2213001
929602	4399068
929770	3099054
980100	1099003
980108	1011016
980200	1199008
980203	1199010
983352	2799084
983355	2799085
983357	2799086
983359	2799087
990011	1599005

EVERCO HD	
Everco HD Number	Kysor Number
901246	2299001
901261	2399004
901261	2399022
901273	2313001
901409	2399005
901630	2010009
901639	2010010
932200	1810002
932202	1810003
932204	1811001
932205	1899003
935017	2410004
935031	2411005
935032	2411004
936136	1999030
936197	1999226

Fleetrите

This listing shows parts that are similar in physical interchangeability and function. Cross reference lists should not be used as application guides. Please refer to the proper listing in the applications section for specific make and model recommendations.

EVERCO HD	
Everco HD Number	Kysor Number
936514	1999004
936520	1911013
937167	1099006
937179	1099007
937408	1099002
937408	1099004
937704	1011016
937711	1099003
937742	1011014
961102	1402002
980900	1407008
995076	1409007

FASCO	
Fasco Number	Kysor Number
2807-406-007	1075031
2807-406-046	1013006
2807-406-048	1075006
2807-406-072	1075005
2807-406-103	1099032
2807-406-112R	1099059
2807-508-062	1099038
2807-510-161	1099029
2807-513-074	1099006
2807-513-083	1099033
2807-513-107	1099055
2807-513-117	1099051
2807-513-163	1099054
2809-540-002(PSS)	1099007
2809-540-036	1019001
2809-540-039	1099024
2809-540-058	1099022
2809-540-061	1017004
2809-540-065	1099050
2809-540-066	1099034
2809-541-009	1099002
2809-541-056	1075035
2809-541-094	1014005
2809-541-139	1099023
2809-541-140	1015002
2809-541-144	1075012
2809-541-145	1099013
2809-541-154	1099047
2809-541-168	1099104
2809-541-171	1015006
2809-541-173	1014007

FASCO	
Fasco Number	Kysor Number
2809-541-192R	1099070
2809-541-226	1099092
2809-550-059	1075014
2809-550-094R	1099069
2809-550-113	1017006
2809-551-003	1099025
2809-551-020	1099026
2809-551-021R	1099020
2809-551-039	1017003
2809-551-041	1099053
2809-551-042	1099052
2809-551-048	1014006
2809-552-005	1099081
2809-841-008	1099021
2809-841-029 (BEHR)	1099063
2819-420-035	1099150
2819-530-016	1099015
2819-540-038N	1099011
2819-540-045N	1075034
2819-540-049N	1075013
2819-540-052	1012009
2819-540-054N	1075051
2819-550-029N	1099004
2819-550-033N	1099019
2819-550-039	1099147
2829-550-008	1099094
2829-551-002	1099128
2898-072-004	1099132
2898-072-020	1099077
2898-072-021	1099090
2898-091-014	1015007
2898-091-018	1099064
2898-091-024	1018002
2898-091-027	1013008
2898-091-028	1012006
2898-092-007	1075025
2898-092-016	1099095
2898-092-017	1075020
2898-192-002N	1099131
2899-006-090M	1299029
541-024(BERG)	1099007
541-117(BERG)	1099007

FLEETRITE	
Fleetrите Number	Kysor Number
201320	4099161
407234	3199005
540196	1408016
449428010	4099149
FLT4347Q	1401422
FLT4347Q	1412008
FLT4544Q	1410046
FLT4713Q	1410070
FLTBM1669786	1099014
FLTBM1699291	1013004
FLTBM1699947	1113003
FLTBM1699949	1013005
FLTBM2602570	1013011
FLTBM3542611	1013008
FLTBM3674285	1013013
FLTC26430IN	3113006
RDT73R4102??	2199003
ZGG1001275456	4430007
ZGG1001275465	4430003
ZGG1001275466	4430008
ZGG1001276274	4430001
ZGG1001276276	4430002
ZGG1001443378	3630004
ZGG1001443393	4099209
ZGG1001443575	4099210
ZGG1001447917	3630002
ZGG11006	1915005
ZGG11028	1011015
ZGG11029	1199009
ZGG11030	1199010
ZGG11031	1199015
ZGG11048	2399019
ZGG11066	1999009
ZGG11069	2299033
ZGG11074	2299006
ZGG11077	2411007
ZGG11078	2499044
ZGG11081	2411001
ZGG11082	2499043
ZGG11083	2499042
ZGG11084	2499041
ZGG11135	1817001
ZGG11145	1408053
ZGG11189	1408054
ZGG11246	1811001
ZGG11249	1918001
ZGG11270	1099021
ZGG11370	2499053

This listing shows parts that are similar in physical interchangeability and function. Cross reference lists should not be used as application guides. Please refer to the proper listing in the applications section for specific make and model recommendations.

FLEETRITE	
Fleetrite Number	Kysor Number
ZGG11403	2799095
ZGG11447	2199044
ZGG11514	1409002
ZGG11526	1313006
ZGG11532	2199031
ZGG11549	1399017
ZGG11574	2475005
ZGG11592	2199009
ZGG11599	2175003
ZGG11600	2175004
ZGG11601	2199006
ZGG11604	2117001
ZGG11620	1199042
ZGG11621	1117001
ZGG11633	1275003
ZGG11635	1099006
ZGG11642	1099013
ZGG11751S	2612191
ZGG11752S	2612101
ZGG11816	1999030
ZGG11821	1999029
ZGG11838	1899008
ZGG11839	1408001
ZGG11844	2399004
ZGG11845	1875003
ZGG11929	2399010
ZGG12034	2799202
ZGG12091S	2612193
ZGG12092S	2612103
ZGG12111	2118001
ZGG12117S	2610904
ZGG12135	1313005
ZGG12136	1399004
ZGG12141	1313008
ZGG12215	1599005
ZGG12217	1408006
ZGG12218	1408005
ZGG12244	1813001
ZGG12249	2299005
ZGG12457	1408010
ZGG12458	1408009
ZGG12465	1408013
ZGG12466	1408014
ZGG12569	1099015
ZGG12631	2375001
ZGG12672	2199048
ZGG12886	1075051
ZGG13023	3299010

FLEETRITE	
Fleetrite Number	Kysor Number
ZGG13290	2012005
ZGG13319	2175012
ZGG13321	2199032
ZGG13323	2199041
ZGG13324	2199042
ZGG13372	2599070
ZGG13437	1999007
ZGG13448	1999032
ZGG13459	1899011
ZGG13468	2499052
ZGG13469	2499050
ZGG13472	2640772
ZGG13474	2499045
ZGG13477	2640774
ZGG13486	2199104
ZGG13501	1099026
ZGG13653	2599034
ZGG13704S	2622705
ZGG13705S	2622706
ZGG13706S	2622707
ZGG13707S	2614022
ZGG13834	1409014
ZGG13837	1409003
ZGG14090	2112001
ZGG14191	1399013
ZGG14192	2640705
ZGG14193	1403005
ZGG14263	3113003
ZGG14462	2411005
ZGG14525	2411003
ZGG14593	1403114
ZGG14602	2199037
ZGG14603	2199038
ZGG14604	2199039
ZGG14811	1099048
ZGG14835	1099038
ZGG14854	2299001
ZGG14862	2610012
ZGG14897	2299002
ZGG15704	3099059
ZGG16061	3099067
ZGG16218	2213003
ZGG16242	1899002
ZGG16244	1899003
ZGG16282	1199001
ZGG16292	2099002
ZGG16298	1014002
ZGG16314	1199003

FLEETRITE	
Fleetrite Number	Kysor Number
ZGG16335	2199010
ZGG16336	2114003
ZGG16342	2475002
ZGG16344	2499031
ZGG16360	1399014
ZGG16405	2299024
ZGG16407	1199012
ZGG16411	1117002
ZGG16446	1999013
ZGG16449	1999012
ZGG16450	1999011
ZGG16520	2099003
ZGG16523	2199008
ZGG16528	2211007
ZGG16596	2199007
ZGG16601	2099005
ZGG16643	2199019
ZGG16655	2199023
ZGG16656	2275007
ZGG16662	2318001
ZGG16665	2099006
ZGG16666	2299100
ZGG16684	2199061
ZGG16824	1409010
ZGG16884	2799084
ZGG16888	2799086
ZGG16971	2610001
ZGG16972	2610002
ZGG16973	2610003
ZGG16974	2610004
ZGG18416	1408022
ZGG18417	1408023
ZGG18420	1408024
ZGG18421	1408025
ZGG18422	1408034
ZGG18423	1408035
ZGG18424	1408030
ZGG18425	1408031
ZGG18462S	2610901
ZGG18463S	2610902
ZGG18464S	2610903
ZGG19036	2799115
ZGG19037	2799116
ZGG19038	2799117
ZGG19039	2799118
ZGG19042	1401135
ZGG19045	2799201
ZGG19058	1899005

Fleetrite

This listing shows parts that are similar in physical interchangeability and function. Cross reference lists should not be used as application guides. Please refer to the proper listing in the applications section for specific make and model recommendations.

FLEETRITE		FLEETRITE		FLEETRITE	
Fleetrite Number	Kysor Number	Fleetrite Number	Kysor Number	Fleetrite Number	Kysor Number
ZGG19062	1403100	ZGG19174S	2612211	ZGG19348	1099047
ZGG19064	2899028	ZGG19175S	2612207	ZGG19350	1012009
ZGG19065	1409004	ZGG19176S	2612210	ZGG19355	1409016
ZGG19066	1409005	ZGG19177S	2612208	ZGG19357	1919001
ZGG19074	2118002	ZGG19179S	2614021	ZGG19409	1810003
ZGG19075	2610005	ZGG19180S	2612296	ZGG19413	1810002
ZGG19077S	2611201	ZGG19181S	2612297	ZGG19453	1911013
ZGG19078S	2611202	ZGG19182S	2612299	ZGG19460	2799107
ZGG19079S	2611203	ZGG19183S	2612212	ZGG19465	2899015
ZGG19080S	2611204	ZGG19184S	2611206	ZGG19471	1409017
ZGG19081S	2611151	ZGG19185S	2611208	ZGG19472	1409018
ZGG19082S	2611152	ZGG19186S	2611207	ZGG19476	2899016
ZGG19083S	2611153	ZGG19189S	2611196	ZGG19492	2799014
ZGG19084S	2611154	ZGG19190S	2611198	ZGG19499	2799031
ZGG19085S	2611191	ZGG19191S	2611197	ZGG19502	2799015
ZGG19086S	2611192	ZGG19192S	2611301	ZGG19503	2799032
ZGG19087S	2611193	ZGG19193S	2611302	ZGG19506	2799016
ZGG19088S	2611194	ZGG19194S	2611303	ZGG19510	2799017
ZGG19089S	2612201	ZGG19195S	2611304	ZGG19514	2799018
ZGG19090S	2612202	ZGG19196S	2611351	ZGG19516	2799013
ZGG19091S	2612203	ZGG19197S	2611352	ZGG19517	2799020
ZGG19092S	2612204	ZGG19198S	2611353	ZGG19518	2799026
ZGG19093S	2612551	ZGG19200S	2611391	ZGG19521	2799021
ZGG19094S	2612252	ZGG19201S	2611392	ZGG19522	2799027
ZGG19095S	2612253	ZGG19202S	2611393	ZGG19524	2799019
ZGG19096S	2612254	ZGG19216	2799108	ZGG19525	2799022
ZGG19097S	2612291	ZGG19227	2212001	ZGG19526	2799030
ZGG19098S	2612292	ZGG19229	1612002	ZGG19528	2799218
ZGG19099S	2612293	ZGG19230	1099063	ZGG19529	2799023
ZGG19100S	2612294	ZGG19231	1512002	ZGG19530	2799028
ZGG19101S	2612209	ZGG19232	1599011	ZGG19532	2799216
ZGG19102S	2614024	ZGG19240	2199005	ZGG19533	2799025
ZGG19103S	2612298	ZGG19242	2012001	ZGG19534	2799029
ZGG19116S	2612501	ZGG19244	1512001	ZGG19540	2899032
ZGG19117S	2612502	ZGG19246	1699002	ZGG19541	2899033
ZGG19118S	2612503	ZGG19251	2499002	ZGG19735	1401348
ZGG19119S	2612504	ZGG19261	1015002	ZGG19809	2610009
ZGG19121S	2612552	ZGG19263	1115003	ZGG19810	2610010
ZGG19122S	2612553	ZGG19278	1401101	ZGG19811	2610011
ZGG19123S	2612554	ZGG19280	2299008	ZGG19813	2610013
ZGG19124S	2612591	ZGG19297	1401116	ZGG19840	1407010
ZGG19125S	2612592	ZGG19311	1399005	ZGG19845	1313002
ZGG19126S	2612593	ZGG19316	1401107	ZGG19860	1075036
ZGG19127S	2612594	ZGG19319	1401104	ZGG19907Y	2575006
ZGG19128	2799110	ZGG19320	1312002	ZGG52000	1407001
ZGG19133	1999268	ZGG19340	1012015	ZGG550432	2899100
ZGG19147	1917001	ZGG19341	1099029	ZGG701001	1099033
ZGG19158	2610006	ZGG19343	1099033	ZGG701002	1099104

This listing shows parts that are similar in physical interchangeability and function. Cross reference lists should not be used as application guides. Please refer to the proper listing in the applications section for specific make and model recommendations.

FLEETRITE	
Fleetrite Number	Kysor Number
ZGG701003	1014003
ZGG701004	1099020
ZGG701005	1018003
ZGG701006	1014005
ZGG701013	1099023
ZGG701016	1018002
ZGG701017	1017004
ZGG701018	1017005
ZGG701019	1015006
ZGG701024	1012006
ZGG701025	1099064
ZGG701026	1012010
ZGG701043	1011003
ZGG701058	1011014
ZGG701061	1099030
ZGG701062	1099052
ZGG701063	1099053
ZGG701064	1099054
ZGG701065	1099055
ZGG701069	1099059
ZGG701071	1099025
ZGG701078	1075009
ZGG701083	1018006
ZGG701085	1015007
ZGG701086	1099070
ZGG701088	1099069
ZGG701089	1075035
ZGG701091	1099094
ZGG701092	1099092
ZGG701093	1012016
ZGG701095	1075006
ZGG701097	1075011
ZGG701098	1075014
ZGG701100	1075013
ZGG701102	1099088
ZGG701103	1075058
ZGG701107	1019001
ZGG701108	1099090
ZGG701109	1017006
ZGG701113	1075044
ZGG701115	1013006
ZGG701116	1099118
ZGG701117	1075005
ZGG701119	1099127
ZGG701120	1099124
ZGG701122	1099119
ZGG701123	1017007
ZGG702000	1118001

FLEETRITE	
Fleetrite Number	Kysor Number
ZGG702003	1115001
ZGG702005	1117003
ZGG702008	1199023
ZGG702012	1199038
ZGG702015	1199037
ZGG702017	1199036
ZGG702018	1199047
ZGG702019	1199043
ZGG702020	1199020
ZGG702021	1175003
ZGG702022	1199008
ZGG703001	1299015
ZGG703002	1299016
ZGG703003	1299017
ZGG703005	1299005
ZGG703006	1299004
ZGG703007	1299001
ZGG703010	1299006
ZGG703011	1299019
ZGG703013	1299025
ZGG703014	1299045
ZGG703015	1299027
ZGG703016	1299028
ZGG703017	1299032
ZGG703018	1299009
ZGG703019	1299002
ZGG703020	1299003
ZGG703021	1299030
ZGG704000	1399008
ZGG704035	1399041
ZGG704037	1399068
ZGG704038	1399045
ZGG704053	1399075
ZGG704057	1399028
ZGG704058	1399035
ZGG704059	1399061
ZGG704068	1380001
ZGG704069	1380002
ZGG704070	1380003
ZGG704071	1380004
ZGG704072	1380005
ZGG704073	1380006
ZGG704074	1380007
ZGG704075	1380008
ZGG704076	1380009
ZGG704077	1380010
ZGG704078	1380011
ZGG704079	1380012

FLEETRITE	
Fleetrite Number	Kysor Number
ZGG704080	1380013
ZGG704081	1380014
ZGG704082	1380015
ZGG705003	1403001
ZGG705004	1403120
ZGG705005	1403112
ZGG705006	1401114
ZGG705007	1401115
ZGG705008	1401111
ZGG705009	1401118
ZGG705010	1401119
ZGG705011	1401122
ZGG705012	1401121
ZGG705013	1401120
ZGG705014	1401126
ZGG705015	1401125
ZGG705016	1401117
ZGG705017	1401127
ZGG705029	1403104
ZGG705030	1403129
ZGG705031	1403101
ZGG705032	1403102
ZGG705033	1403103
ZGG705034	1403105
ZGG705035	1403108
ZGG705039	1403119
ZGG705042	1403123
ZGG705044	1403125
ZGG705045	1403126
ZGG705046	1403127
ZGG705047	1403128
ZGG705048	1403130
ZGG705050	1403136
ZGG705051	1403137
ZGG705053	1403140
ZGG705054	1403141
ZGG705063	1401330
ZGG705064	1403117
ZGG705126	1403163
ZGG705130	1401110
ZGG705131	1403158
ZGG705133	1401106
ZGG705134	1401400
ZGG705136	1401109
ZGG705138	1401200
ZGG705139	1401201
ZGG705140	1401202
ZGG705142	1401204

Fleetrite

This listing shows parts that are similar in physical interchangeability and function. Cross reference lists should not be used as application guides. Please refer to the proper listing in the applications section for specific make and model recommendations.

FLEETRITE		FLEETRITE		FLEETRITE	
Fleetrite Number	Kysor Number	Fleetrite Number	Kysor Number	Fleetrite Number	Kysor Number
ZGG705144	1401206	ZGG705254	1401360	ZGG705316	1410004
ZGG705146	1401208	ZGG705255	1401361	ZGG705317	1410005
ZGG705148	1401210	ZGG705256	1401362	ZGG705318	1410006
ZGG705150	1401212	ZGG705258	1401364	ZGG705319	1410007
ZGG705152	1401214	ZGG705259	1401365	ZGG705320	1410008
ZGG705155	1401217	ZGG705260	1401366	ZGG705321	1410009
ZGG705157	1401219	ZGG705261	1401367	ZGG705322	1410010
ZGG705163	1401123	ZGG705265	1401371	ZGG705323	1410011
ZGG705164	1401138	ZGG705267	1401373	ZGG705324	1410012
ZGG705165	1401136	ZGG705268	1401374	ZGG705325	1410013
ZGG705166	1404025	ZGG705269	1401375	ZGG705326	1410014
ZGG705168	1403111	ZGG705271	1401377	ZGG705327	1410015
ZGG705177	1401113	ZGG705272	1401378	ZGG705328	1410016
ZGG705179	1401128	ZGG705273	1401379	ZGG705329	1410017
ZGG705180	1401226	ZGG705274	1401380	ZGG705330	1410018
ZGG705181	1401225	ZGG705276	1401382	ZGG705331	1410019
ZGG705182	1406006	ZGG705277	1401383	ZGG705332	1410020
ZGG705183	1403145	ZGG705278	1401384	ZGG705333	1410021
ZGG705184	1403146	ZGG705280	1401386	ZGG705334	1410022
ZGG705185	1403147	ZGG705282	1401402	ZGG705335	1410023
ZGG705191	1404028	ZGG705283	1401403	ZGG705336	1410024
ZGG705196	1401108	ZGG705286	1401396	ZGG705337	1410025
ZGG705198	1401331	ZGG705288	1412006	ZGG705338	1410026
ZGG705199	1401332	ZGG705289	1401397	ZGG705340	1410028
ZGG705201	1401334	ZGG705291	1401399	ZGG705341	1410029
ZGG705210	1403153	ZGG705293	1401404	ZGG705342	1401429
ZGG705211	1403161	ZGG705294	1401405	ZGG705343	1401391
ZGG705217	1403159	ZGG705295	1401406	ZGG705344	1401392
ZGG705218	1403162	ZGG705296	1401390	ZGG705346	1401401
ZGG705220	1403107	ZGG705297	1411001	ZGG705347	1401408
ZGG705221	1403110	ZGG705298	1411002	ZGG705348	1401409
ZGG705223	1403116	ZGG705299	1411003	ZGG705349	1401410
ZGG705225	1403132	ZGG705300	1411004	ZGG705350	1401411
ZGG705228	1403138	ZGG705301	1411005	ZGG705352	1401413
ZGG705229	1403150	ZGG705302	1411006	ZGG705353	1401414
ZGG705232	1401346	ZGG705303	1411007	ZGG705354	1401415
ZGG705234	1401339	ZGG705304	1411008	ZGG705355	1401416
ZGG705236	1401347	ZGG705305	1411009	ZGG705356	1401417
ZGG705237	1401340	ZGG705306	1411010	ZGG705357	1401418
ZGG705238	1401341	ZGG705307	1411011	ZGG705358	1401419
ZGG705239	1401342	ZGG705308	1411012	ZGG705359	1401420
ZGG705241	1401344	ZGG705309	1411013	ZGG705360	1401421
ZGG705247	1401353	ZGG705310	1411014	ZGG705360	1410074
ZGG705248	1401354	ZGG705311	1411015	ZGG705362	1401423
ZGG705249	1401355	ZGG705312	1411016	ZGG705363	1401424
ZGG705250	1401356	ZGG705313	1410001	ZGG705364	1401425
ZGG705251	1401357	ZGG705314	1410002	ZGG705366	1401427
ZGG705253	1401359	ZGG705315	1410003	ZGG705367	1401428

This listing shows parts that are similar in physical interchangeability and function. Cross reference lists should not be used as application guides. Please refer to the proper listing in the applications section for specific make and model recommendations.

FLEETRITE	
Fleetrite Number	Kysor Number
ZGG705369	1401432
ZGG705371	1410031
ZGG705372	1410032
ZGG705373	1410033
ZGG705374	1410034
ZGG705375	1410035
ZGG705376	1410036
ZGG705377	1410037
ZGG705378	1410038
ZGG705379	1410039
ZGG705380	1410040
ZGG705381	1410041
ZGG705382	1410042
ZGG705383	1410043
ZGG705384	1410044
ZGG705387	1410047
ZGG705388	1410048
ZGG705389	1410049
ZGG705390	1410050
ZGG705391	1410051
ZGG705392	1410052
ZGG705394	1410054
ZGG705395	1410055
ZGG705396	1410056
ZGG705397	1410057
ZGG705398	1410058
ZGG705399	1410059
ZGG705400	1401433
ZGG705405	1401435
ZGG705406	1410073
ZGG705407	1410060
ZGG705408	1410061
ZGG705409	1410062
ZGG705410	1410063
ZGG705411	1410064
ZGG705412	1410065
ZGG705413	1410066
ZGG705414	1410067
ZGG705415	1410068
ZGG705416	1410069
ZGG705417	1410070
ZGG705418	1410071
ZGG705419	1410072
ZGG705421	1401436
ZGG705422	1401437
ZGG705423	1410075
ZGG705424	1410076
ZGG705428	1410080

FLEETRITE	
Fleetrite Number	Kysor Number
ZGG705430	1410082
ZGG705431	1410083
ZGG705432	1410084
ZGG705433	1410085
ZGG705434	1410086
ZGG705435	1410087
ZGG705436	1401438
ZGG705441	1410091
ZGG705442	1410092
ZGG705443	1410093
ZGG705444	1410094
ZGG705445	1410095
ZGG705447	1410097
ZGG705449	1410099
ZGG705450	1410100
ZGG705451	1410101
ZGG705452	1410102
ZGG705454	1410104
ZGG705455	1410105
ZGG705456	1401442
ZGG705457	1401443
ZGG705458	1401444
ZGG705459	1401445
ZGG705460	1401446
ZGG705460	1412014
ZGG705461	1401447
ZGG705462	1401448
ZGG706006	1408017
ZGG706011	1408020
ZGG706016	1408027
ZGG706017	1408036
ZGG706018	1408037
ZGG706019	1408038
ZGG706020	1408043
ZGG706021	1408044
ZGG706022	1408045
ZGG706023	1408046
ZGG706024	1408047
ZGG706025	1408048
ZGG706026	1408049
ZGG706027	1408050
ZGG706028	1408051
ZGG706029	1408052
ZGG706030	1408039
ZGG706031	1408040
ZGG706032	2799098
ZGG706033	2799099
ZGG706034	2799100

FLEETRITE	
Fleetrite Number	Kysor Number
ZGG706035	2799101
ZGG706036	2799102
ZGG706037	2799103
ZGG706039	2799097
ZGG706041	2799200
ZGG706042	1401325
ZGG706043	1401326
ZGG706044	1401327
ZGG706045	1401328
ZGG706046	1401329
ZGG706047	1407034
ZGG706048	1407035
ZGG706049	1407036
ZGG706050	1407037
ZGG706051	1407038
ZGG706052	1399084
ZGG707000	1515002
ZGG707013	1512003
ZGG707025	1575001
ZGG707026	1575002
ZGG707028	1575005
ZGG707030	1514007
ZGG707032	1514017
ZGG707033	1514022
ZGG707034	1517008
ZGG707035	1517011
ZGG707038	1518006
ZGG707053	1512007
ZGG707062	1511007
ZGG707065	1511005
ZGG707066	1512004
ZGG707067	1512005
ZGG707079	1514016
ZGG707084	1515003
ZGG707085	1515004
ZGG707086	1515005
ZGG707087	1515006
ZGG707094	1517012
ZGG707097	1518008
ZGG707098	1518009
ZGG707099	1518010
ZGG707100	1518011
ZGG707101	1518012
ZGG707105	1599014
ZGG707106	1599015
ZGG707107	1599119
ZGG707109	1599101
ZGG707115	1575009

Fleetrite

This listing shows parts that are similar in physical interchangeability and function. Cross reference lists should not be used as application guides. Please refer to the proper listing in the applications section for specific make and model recommendations.

FLEETRITE		FLEETRITE		FLEETRITE	
Fleetrite Number	Kysor Number	Fleetrite Number	Kysor Number	Fleetrite Number	Kysor Number
ZGG707119	1510020	ZGG708061	1612006	ZGG710035	1715007
ZGG707120	1515013	ZGG708071	1675010	ZGG710039	1712004
ZGG707121	1515014	ZGG708072	1615010	ZGG710069	1799010
ZGG707122	1514024	ZGG708073	1612011	ZGG710070	1799011
ZGG707124	1512010	ZGG708074	1612012	ZGG710071	1799012
ZGG707126	1515018	ZGG708081	1699005	ZGG710073	1799014
ZGG707127	1511020	ZGG708082	1617009	ZGG710074	1799015
ZGG707129	1511018	ZGG708083	1614007	ZGG710075	1799016
ZGG707130	1517015	ZGG708084	1615011	ZGG710078	1718006
ZGG707131	1512011	ZGG708086	1699006	ZGG710079	1799069
ZGG707133	1515015	ZGG708087	1618011	ZGG710080	1799068
ZGG707134	1515016	ZGG708089	1617013	ZGG710081	1715008
ZGG707135	1515017	ZGG708090	1617014	ZGG710082	1713009
ZGG707136	1517014	ZGG708091	1617011	ZGG710084	1712007
ZGG707139	1510018	ZGG708092	1617010	ZGG710085	1712008
ZGG707141	1511019	ZGG708093	1617015	ZGG710088	1712011
ZGG707146	1512015	ZGG708094	1615012	ZGG710090	1799023
ZGG707148	1512017	ZGG709002	1899041	ZGG710091	1714008
ZGG707149	1519003	ZGG709005	1813002	ZGG710092	1799030
ZGG707150	1675006	ZGG709006	1899021	ZGG710093	1799031
ZGG707151	1517016	ZGG709016	1812005	ZGG710094	1799032
ZGG707152	1517017	ZGG709017	1899013	ZGG710095	1799033
ZGG707157	1515019	ZGG709018	1899014	ZGG710096	1799034
ZGG707162	1512025	ZGG709019	1899015	ZGG710097	1799024
ZGG707163	1514025	ZGG709021	1899031	ZGG710098	1717011
ZGG707165	1517018	ZGG709024	1812006	ZGG710099	1717013
ZGG707166	1517019	ZGG709026	1812007	ZGG710100	1717014
ZGG707167	1517020	ZGG709027	1812008	ZGG710101	1717012
ZGG707168	1517021	ZGG709029	1812010	ZGG710102	1799029
ZGG707172	1519004	ZGG709030	1812011	ZGG710103	1714004
ZGG707173	1519005	ZGG709034	1818006	ZGG710104	1717015
ZGG707175	1512027	ZGG709036	1812012	ZGG710105	1712012
ZGG707176	1515021	ZGG709040	1818007	ZGG711003	2299010
ZGG707178	1511023	ZGG709041	1814003	ZGG711005	2210001
ZGG708000	1617006	ZGG709042	1817003	ZGG711009	2212002
ZGG708001	1617005	ZGG709043	1817004	ZGG711012	2212004
ZGG708004	1614005	ZGG710001	1717004	ZGG711013	2212005
ZGG708005	1614003	ZGG710003	1717002	ZGG711014	2212006
ZGG708006	1699004	ZGG710004	1718001	ZGG711025	2010007
ZGG708008	1614006	ZGG710007	1714007	ZGG711031	2275001
ZGG708009	1618002	ZGG710009	1717005	ZGG711032	2275003
ZGG708010	1614004	ZGG710011	1717006	ZGG711033	2299012
ZGG708011	1618005	ZGG710012	1717008	ZGG711034	2217001
ZGG708012	1617007	ZGG710014	1799007	ZGG711035	2217002
ZGG708013	1614002	ZGG710030	1715002	ZGG711041	2218002
ZGG708024	1615003	ZGG710032	1714006	ZGG711062	2218022
ZGG708033	1615008	ZGG710033	1714005	ZGG711075	2214002
ZGG708036	1675001	ZGG710034	1799005	ZGG711077	2214003

This listing shows parts that are similar in physical interchangeability and function. Cross reference lists should not be used as application guides. Please refer to the proper listing in the applications section for specific make and model recommendations.

FLEETRITE		FLEETRITE		FLEETRITE	
Fleetrite Number	Kysor Number	Fleetrite Number	Kysor Number	Fleetrite Number	Kysor Number
ZGG711079	2214004	ZGG716001	2399006	ZGG717083	2499118
ZGG711082	2299101	ZGG716002	2399009	ZGG717084	2499126
ZGG711084	2214006	ZGG716010	2399001	ZGG717085	2499137
ZGG711086	2217003	ZGG716012	2318004	ZGG718000	2899024
ZGG712003	1914004	ZGG716013	2312002	ZGG718001	1409011
ZGG712004	1918004	ZGG716014	2312003	ZGG718002	1409012
ZGG712005	1918005	ZGG716015	2399023	ZGG718003	2899025
ZGG712006	1919002	ZGG716016	2314002	ZGG718008	2899010
ZGG712008	1999037	ZGG716017	2399026	ZGG718010	2899014
ZGG712027	1910002	ZGG717002	2117005	ZGG718011	2899001
ZGG712037	1999004	ZGG717003	1812004	ZGG718012	2899005
ZGG712050	1975003	ZGG717006	2499003	ZGG718013	2899004
ZGG712058	1919003	ZGG717010	2410001	ZGG718014	2899003
ZGG712059	1999040	ZGG717013	2499005	ZGG718015	2899006
ZGG712061	1999016	ZGG717014	2417001	ZGG718017	2899029
ZGG712062	1975004	ZGG717019	2499038	ZGG718021	2899026
ZGG712065	1912014	ZGG717029	2412005	ZGG718022	1409006
ZGG712066	1914005	ZGG717032	2410004	ZGG718023	1409007
ZGG712068	1914006	ZGG717034	2411004	ZGG718024	2899107
ZGG712070	1914008	ZGG717036	2499068	ZGG719000	1899022
ZGG712084	1999212	ZGG717037	2499069	ZGG719004	2899030
ZGG712085	2499109	ZGG717041	2412010	ZGG719005	2899031
ZGG712086	2499110	ZGG717043	2412007	ZGG720000	3112005
ZGG713002	2099023	ZGG717045	2418003	ZGG720001	3112006
ZGG713005	2012003	ZGG717046	2418001	ZGG720002	3199025
ZGG713009	2011001	ZGG717050	2414004	ZGG720003	3199027
ZGG713010	2010009	ZGG717054	2412013	ZGG720004	3199031
ZGG713011	2010010	ZGG717056	2113009	ZGG720005	3199032
ZGG714002	2018001	ZGG717057	2113010	ZGG720006	3199045
ZGG714003	2012007	ZGG717061	2199066	ZGG720007	3199053
ZGG714012	2015003	ZGG717063	2117006	ZGG720008	3199054
ZGG714015	2017003	ZGG717065	2417002	ZGG720009	3199055
ZGG715000	2114004	ZGG717066	2417003	ZGG720010	3112001
ZGG715001	2117004	ZGG717067	2414008	ZGG720011	3199030
ZGG715005	2175002	ZGG717068	2499098	ZGG720012	3112007
ZGG715006	2114002	ZGG717069	2499100	ZGG720014	3112009
ZGG715007	2114001	ZGG717070	2499101	ZGG720015	3199005
ZGG715011	2199022	ZGG717072	2412015	ZGG720016	3112010
ZGG715016	2112008	ZGG717073	2414010	ZGG720018	3112012
ZGG715017	2112002	ZGG717074	2499107	ZGG720019	3119001
ZGG715025	2299031	ZGG717075	2499117	ZGG720020	3118002
ZGG715026	2112005	ZGG717076	2499116	ZGG720021	3118003
ZGG715027	2112013	ZGG717077	2499121	ZGG720022	3114001
ZGG715028	2118003	ZGG717078	2499125	ZGG720023	3199067
ZGG715029	2112015	ZGG717079	2499108	ZGG720024	3114002
ZGG715036	2115004	ZGG717080	2499127	ZGG720025	3199069
ZGG715037	4499089	ZGG717081	2499111	ZGG720026	3114003
ZGG716000	2318002	ZGG717082	2499130	ZGG720027	3199034

Fleetrite

This listing shows parts that are similar in physical interchangeability and function. Cross reference lists should not be used as application guides. Please refer to the proper listing in the applications section for specific make and model recommendations.

FLEETRITE		FLEETRITE		FLEETRITE	
Fleetrite Number	Kysor Number	Fleetrite Number	Kysor Number	Fleetrite Number	Kysor Number
ZGG720028	3199021	ZGG722080	2611551	ZGG722129	2630722
ZGG720029	3199068	ZGG722081	2611552	ZGG722130	2630791
ZGG720030	3199064	ZGG722082	2611553	ZGG722131	2630792
ZGG720031	3199009	ZGG722083	2611554	ZGG722132	2630793
ZGG720032	3199022	ZGG722084	2611591	ZGG722133	2630794
ZGG720033	3199065	ZGG722085	2611592	ZGG722134	2630901
ZGG720034	3199071	ZGG722086	2611593	ZGG722135	2630902
ZGG720035	3199078	ZGG722087	2611594	ZGG722136	2630903
ZGG720036	3199070	ZGG722088	2610905	ZGG722137	2630904
ZGG720037	3199060	ZGG722089	2610777	ZGG722138	2630905
ZGG720038	3199050	ZGG722090	2610778	ZGG722139	2630906
ZGG720039	3199018	ZGG722091	2610779	ZGG722140	2630907
ZGG720040	3199079	ZGG722092	2610780	ZGG722141	2630908
ZGG720041	3117001	ZGG722093	2630001	ZGG722142	2630909
ZGG720042	3175003	ZGG722094	2630002	ZGG722143	2630910
ZGG720043	3117002	ZGG722095	2630003	ZGG722144	2630911
ZGG720044	3199076	ZGG722096	2630004	ZGG722145	2630912
ZGG720045	3199082	ZGG722097	2630005	ZGG722146	2630913
ZGG720046	3199041	ZGG722098	2630006	ZGG722147	2631201
ZGG720047	3199052	ZGG722099	2630007	ZGG722148	2631202
ZGG720048	3117003	ZGG722100	2630008	ZGG722149	2631203
ZGG722002	2621603	ZGG722101	2630009	ZGG722150	2631204
ZGG722003	2621604	ZGG722102	2630010	ZGG722151	2631206
ZGG722004	2621651	ZGG722103	2630011	ZGG722152	2631207
ZGG722005	2621652	ZGG722104	2630012	ZGG722153	2631209
ZGG722009	2621692	ZGG722105	2630013	ZGG722154	2631251
ZGG722010	2621693	ZGG722106	2630014	ZGG722155	2631252
ZGG722011	2621694	ZGG722107	2630015	ZGG722156	2631256
ZGG722016	2622651	ZGG722108	2630016	ZGG722157	2631258
ZGG722030	2621606	ZGG722109	2630017	ZGG722158	2631291
ZGG722032	2621656	ZGG722110	2630018	ZGG722159	2631292
ZGG722034	2621696	ZGG722111	2630019	ZGG722160	2631293
ZGG722037	2621192	ZGG722112	2630020	ZGG722161	2631294
ZGG722038	2621193	ZGG722113	2630021	ZGG722162	2631296
ZGG722040S	2612251	ZGG722114	2630022	ZGG722163	2631297
ZGG722044	2622401	ZGG722115	2630023	ZGG722164	2631298
ZGG722046	2622403	ZGG722116	2630024	ZGG722165	2631299
ZGG722047	2621101	ZGG722117	2630025	ZGG722166	2631301
ZGG722050	2620793	ZGG722118	2630026	ZGG722167	2631302
ZGG722053S	2610771	ZGG722120	2630701	ZGG722168	2631303
ZGG722054S	2610772	ZGG722121	2630702	ZGG722169	2631304
ZGG722055S	2610773	ZGG722122	2630703	ZGG722170	2631306
ZGG722072	2611295	ZGG722123	2630704	ZGG722171	2631307
ZGG722073	2611205	ZGG722124	2630705	ZGG722172	2631391
ZGG722076	2611501	ZGG722125	2630706	ZGG722173	2631392
ZGG722077	2611502	ZGG722126	2630707	ZGG722174	2631393
ZGG722078	2611503	ZGG722127	2630708	ZGG722175	2631501
ZGG722079	2611504	ZGG722128	2630721	ZGG722176	2631502

This listing shows parts that are similar in physical interchangeability and function. Cross reference lists should not be used as application guides. Please refer to the proper listing in the applications section for specific make and model recommendations.

FLEETRITE	
Fleetrite Number	Kysor Number
ZGG722177	2631503
ZGG722178	2631506
ZGG722179	2631507
ZGG722180	2631591
ZGG722181	2631592
ZGG722182	2631593
ZGG722183	2631596
ZGG722184	2631597
ZGG722185	2632001
ZGG722186	2632002
ZGG722187	2632003
ZGG722188	2632004
ZGG722189	2632007
ZGG722190	2632008
ZGG722191	2632009
ZGG722192	2632051
ZGG722193	2632052
ZGG722194	2632053
ZGG722195	2632054
ZGG722196	2632055
ZGG722197	2632056
ZGG722198	2632059
ZGG722199	2632091
ZGG722200	2632092
ZGG722201	2632093
ZGG722202	2632094
ZGG722203	2632095
ZGG722204	2632096
ZGG722205	2632097
ZGG722206	2632098
ZGG722207	2632099
ZGG722208	2632100
ZGG722209	2632101
ZGG722210	2632102
ZGG722211	2632103
ZGG722212	2632104
ZGG722213	2632105
ZGG722214	2632106
ZGG722215	2632107
ZGG722216	2632108
ZGG722217	2632109
ZGG722218	2632110
ZGG722219	2632111
ZGG722220	2632112
ZGG722221	2632113
ZGG722222	2632114
ZGG722223	2632151
ZGG722225	2632153

FLEETRITE	
Fleetrite Number	Kysor Number
ZGG722226	2632154
ZGG722227	2632156
ZGG722228	2632157
ZGG722229	2632158
ZGG722230	2632191
ZGG722231	2632192
ZGG722232	2632193
ZGG722233	2632196
ZGG722234	2632197
ZGG722235	2632201
ZGG722236	2632202
ZGG722237	2632203
ZGG722238	2632204
ZGG722239	2632205
ZGG722240	2632206
ZGG722241	2632207
ZGG722242	2632208
ZGG722243	2632209
ZGG722244	2632210
ZGG722245	2632211
ZGG722246	2632212
ZGG722247	2632213
ZGG722248	2632214
ZGG722249	2632152
ZGG722249	2632215
ZGG722250	2632216
ZGG722251	2632217
ZGG722252	2632218
ZGG722253	2632219
ZGG722254	2632251
ZGG722255	2632252
ZGG722256	2632253
ZGG722257	2632254
ZGG722258	2632255
ZGG722259	2632256
ZGG722260	2632257
ZGG722261	2632258
ZGG722262	2632259
ZGG722263	2632291
ZGG722264	2632292
ZGG722265	2632293
ZGG722266	2632294
ZGG722267	2632295
ZGG722268	2632296
ZGG722269	2632297
ZGG722270	2632298
ZGG722271	2632299
ZGG722272	2632300

FLEETRITE	
Fleetrite Number	Kysor Number
ZGG722273	2632301
ZGG722274	2632302
ZGG722275	2632303
ZGG722276	2632304
ZGG722277	2632305
ZGG722278	2632306
ZGG722279	2632307
ZGG722280	2632402
ZGG722281	2632403
ZGG722282	2632406
ZGG722283	2632493
ZGG722284	2632494
ZGG722285	2632501
ZGG722286	2632502
ZGG722287	2632503
ZGG722288	2632504
ZGG722289	2632505
ZGG722290	2632506
ZGG722291	2632507
ZGG722292	2632508
ZGG722293	2632509
ZGG722294	2632510
ZGG722295	2632511
ZGG722296	2632512
ZGG722297	2632513
ZGG722298	2632514
ZGG722299	2632515
ZGG722300	2632552
ZGG722301	2632553
ZGG722302	2632557
ZGG722303	2632558
ZGG722304	2632559
ZGG722305	2632560
ZGG722306	2632561
ZGG722307	2632562
ZGG722308	2632563
ZGG722309	2632564
ZGG722310	2632565
ZGG722311	2632566
ZGG722312	2632567
ZGG722313	2632591
ZGG722314	2632592
ZGG722315	2632593
ZGG722316	2632594
ZGG722317	2632596
ZGG722318	2632597
ZGG722319	2632598
ZGG722320	2633093

Fleetrite

This listing shows parts that are similar in physical interchangeability and function. Cross reference lists should not be used as application guides. Please refer to the proper listing in the applications section for specific make and model recommendations.

FLEETRITE		FLEETRITE		FLEETRITE	
Fleetrite Number	Kysor Number	Fleetrite Number	Kysor Number	Fleetrite Number	Kysor Number
ZGG722321	2633094	ZGG722377	2660042	ZGG722426	2999105
ZGG722322	2633098	ZGG722378	2660043	ZGG722427	2999106
ZGG722324	2633801	ZGG722379	2660044	ZGG723000	2799024
ZGG722325	2633802	ZGG722380	2660045	ZGG723001	2899027
ZGG722326	2633803	ZGG722381	2660046	ZGG723003	2799204
ZGG722327	2633891	ZGG722382	2660047	ZGG723005	2799206
ZGG722328	2633892	ZGG722383	2660048	ZGG723007	2799208
ZGG722329	2633893	ZGG722384	2660049	ZGG723008	2799203
ZGG722330	2633894	ZGG722385	2660050	ZGG723010	2712001
ZGG722331	2633898	ZGG722386	2660051	ZGG723011	2712002
ZGG722339	2660004	ZGG722387	2660052	ZGG723012	2712003
ZGG722340	2660005	ZGG722388	2660053	ZGG723013	2712004
ZGG722341	2660006	ZGG722389	2660054	ZGG723014	2712005
ZGG722342	2660007	ZGG722390	2660055	ZGG723015	2712006
ZGG722343	2660008	ZGG722391	2660056	ZGG723016	2712007
ZGG722344	2660009	ZGG722392	2660057	ZGG723022	2799219
ZGG722345	2660010	ZGG722393	2660058	ZGG723023	2799220
ZGG722346	2660011	ZGG722394	2660059	ZGG724004	2610001-DS
ZGG722347	2660012	ZGG722395	2660060	ZGG724005	2610002-DS
ZGG722348	2660013	ZGG722396	2660061	ZGG724006	2610003-DS
ZGG722349	2660014	ZGG722397	2660062	ZGG724007	2610004-DS
ZGG722350	2660015	ZGG722398	2660063	ZGG724011	2600016
ZGG722351	2660016	ZGG722399	2660064	ZGG724012	2600017
ZGG722352	2660017	ZGG722400	2660065	ZGG724013	2600018
ZGG722353	2660018	ZGG722401	2660066	ZGG724014	2600019
ZGG722354	2660019	ZGG722402	2660067	ZGG724015	2600020
ZGG722355	2660020	ZGG722403	2660068	ZGG724016	2600021
ZGG722356	2660021	ZGG722404	2660069	ZGG724017	2600022
ZGG722357	2660022	ZGG722405	2660070	ZGG724018	2600023
ZGG722358	2660023	ZGG722406	2660071	ZGG724019	2799214
ZGG722359	2660024	ZGG722407	2660072	ZGG725004	3099058
ZGG722360	2660025	ZGG722408	2660073	ZGG725005	3099060
ZGG722361	2660026	ZGG722409	2660074	ZGG726000	2599036
ZGG722362	2660027	ZGG722410	2660075	ZGG726001	2599037
ZGG722363	2660028	ZGG722411	2660076	ZGG726002	2599038
ZGG722364	2660029	ZGG722412	2660077	ZGG726005	2599041
ZGG722365	2660030	ZGG722413	2660078	ZGG726007	2599043
ZGG722366	2660031	ZGG722414	2660079	ZGG726008	2599044
ZGG722367	2660032	ZGG722415	2660080	ZGG726010	2512007
ZGG722368	2660033	ZGG722416	2660081	ZGG726013	2599049
ZGG722369	2660034	ZGG722417	2660082	ZGG726015	2575005
ZGG722370	2660035	ZGG722418	2660083	ZGG726016	2599050
ZGG722371	2660036	ZGG722419	2660084	ZGG726017	3899005
ZGG722372	2660037	ZGG722420	2660085	ZGG726018	2599032
ZGG722373	2660038	ZGG722421	2660000	ZGG726019	2575010
ZGG722374	2660039	ZGG722422	2660001	ZGG726020	2599031
ZGG722375	2660040	ZGG722423	2660002	ZGG726021	2599058
ZGG722376	2660041	ZGG722424	2660003	ZGG727000	3299029

This listing shows parts that are similar in physical interchangeability and function. Cross reference lists should not be used as application guides. Please refer to the proper listing in the applications section for specific make and model recommendations.

FLEETRITE	
Fleetrite Number	Kysor Number
ZGG727002	3212002
ZGG727003	3299031
ZGG727004	3299032
ZGG727005	3299033
ZGG727006	3299034
ZGG727010	3299037
ZGG727016	3212008
ZGG727017	3212005
ZGG727022	3299045
ZGG727023	3299046
ZGG727024	3299047
ZGG727025	3299048
ZGG727026	3299049
ZGG727027	3299043
ZGG727029	3299016
ZGG727031	3299050
ZGG727032	3299023
ZGG727033	3299024
ZGG727034	3299017
ZGG727035	3275002
ZGG728001	2999030
ZGG728003	2999033
ZGG728006	2999021
ZGG728015	2999034
ZGG728016	2999041
ZGG728019	2999031
ZGG728020	2999026
ZGG728026	2999049
ZGG728028	2999051
ZGG728036	2999003
ZGG728037	2999004
ZGG728038	2999009
ZGG728040	2999007
ZGG728041	2999006
ZGG728044	2999005
ZGG728049	2999013
ZGG728054	2999060
ZGG728055	2999061
ZGG728058	2999064
ZGG728070	2999085
ZGG728071	2999086
ZGG728077	2999091
ZGG728082	2999097
ZGG728084	2999099
ZGG728087	2999102
ZGG728088	2999103
ZGG728089	2999093
ZGG730000	1899018

FLEETRITE	
Fleetrite Number	Kysor Number
ZGG730002	1899020
ZGG731000	2599020
ZGG731002	2599015
ZGG731006	2512003
ZGG731008	2599056
ZGG731011	2599069
ZGG733052	3475004
ZGG733102	3475003
ZGG733103	3475056
ZGG733104	3475057
ZGG733105	3375022
ZGG733181	3475067
ZGG733185	3475077
ZGG733233	3475087
ZGG733416	3999148
ZGG733483	3399030
ZGG733487	3475033
ZGG733488	3475034
ZGG733489	3475035
ZGG733491	3475038
ZGG733492	3475039
ZGG733493	3475040
ZGG733496	4375001
ZGG733497	3899012
ZGG733498	4099140
ZGG733499	4099141
ZGG733515	BSP00039AC12
ZGG733516	BSP00039AC24
ZGG733519	BSP00002HVAC12
ZGG733520	BSP00002HVAC24
ZGG733521	BSP00009AC12
ZGG733522	BSP00009AC24
ZGG733523	BSP00003HVAC12
ZGG733524	BSP00003HVAC24
ZGG733525	BSP00008AC12
ZGG733526	BSP00008AC24
ZGG733527	BSP00016HVAC12
ZGG733528	BSP00016HVAC24
ZGG733529	3380015
ZGG733530	BSP00015HEAT12
ZGG733531	BSP00015HEAT24
ZGG733532	BSP00016HEAT12
ZGG733533	BSP00016HEAT24
ZGG733534	3380020
ZGG733535	BSP00018HEAT24
ZGG733536	BSP00007AC12
ZGG733537	BSP00007AC24
ZGG733538	3375040

FLEETRITE	
Fleetrite Number	Kysor Number
ZGG733539	3475053
ZGG733540	3475068
ZGG733541	3475069
ZGG733542	3475070
ZGG733545	3399009
ZGG733546	BSP00006HVAC12
ZGG733547	BSP00006HVAC24
ZGG733548	BSP00003COND12
ZGG733549	BSP00003COND24
ZGG733550	BSP00004COND12
ZGG733551	BSP00004COND24
ZGG733552	BSP00035AC12
ZGG733553	BSP00035AC24
ZGG733556	BSP00012AC12
ZGG733557	BSP00012AC24
ZGG733558	BSP00015AC12
ZGG734005	1099305
ZGG734005	1099327
ZGG734006	1099328
ZGG734007	1099308
ZGG734008	1099330
ZGG734010	1099311
ZGG734011	1099312
ZGG738000	2799037
ZGG738006	4099133
ZGG738007	3899002
ZGG738011	3499010
ZGG739000	4099000
ZGG739001	3275014
ZGG739002	4099002
ZGG739003	4099003
ZGG739004	4099004
ZGG739005	4099005
ZGG739011	4099011
ZGG739012	4099012
ZGG739013	4099013
ZGG739014	4099014
ZGG739017	4099017
ZGG739018	2799088
ZGG739021	4099021
ZGG739022	4099022
ZGG739023	4099023
ZGG739024	4099024
ZGG739027	4099027
ZGG739028	4099028
ZGG739029	4099029
ZGG739033	4099033
ZGG739037	4099037



Fleetrite

This listing shows parts that are similar in physical interchangeability and function. Cross reference lists should not be used as application guides. Please refer to the proper listing in the applications section for specific make and model recommendations.

FLEETRITE		FLEETRITE		FLEETRITE	
Fleetrite Number	Kysor Number	Fleetrite Number	Kysor Number	Fleetrite Number	Kysor Number
ZGG739038	4099038	ZGG739151	4099138	ZGG739231	4475027
ZGG739039	4099039	ZGG739153	4099158	ZGG739232	4475028
ZGG739040	4099040	ZGG739154	4099160	ZGG739233	4475029
ZGG739041	4099041	ZGG739155	4099145	ZGG739234	4475030
ZGG739043	4099043	ZGG739156	4099146	ZGG739235	4475031
ZGG739044	4099044	ZGG739158	4099148	ZGG739236	4475032
ZGG739045	4099045	ZGG739160	4099151	ZGG739237	4475033
ZGG739046	4099046	ZGG739161	4099152	ZGG739238	4475034
ZGG739050	4099050	ZGG739165	4099156	ZGG739240	4475037
ZGG739052	4099052	ZGG739166	4099162	ZGG739242	4099193
ZGG739053	4099053	ZGG739167	4099164	ZGG739243	4099194
ZGG739054	4099054	ZGG739168	4099143	ZGG739244	4099195
ZGG739057	4099057	ZGG739169	4099144	ZGG739246	4099197
ZGG739059	4099059	ZGG739170	4099167	ZGG739247	4099198
ZGG739064	4099064	ZGG739171	4099166	ZGG739248	4099199
ZGG739067	4099067	ZGG739172	4099165	ZGG739251	4099200
ZGG739068	4099068	ZGG739174	4499029	ZGG739252	4499079
ZGG739070	4099070	ZGG739177	4099171	ZGG739253	4099201
ZGG739072	4099072	ZGG739178	4099172	ZGG739254	4099202
ZGG739073	4099073	ZGG739179	4099174	ZGG739255	4099203
ZGG739075	4099075	ZGG739181	4099176	ZGG739256	4475041
ZGG739085	4099085	ZGG739183	4099179	ZGG739262	4475048
ZGG739090	3699003	ZGG739184	4499033	ZGG739263	4475049
ZGG739091	4099091	ZGG739185	4099180	ZGG739264	4475050
ZGG739101	4099100	ZGG739187	4099182	ZGG739265	4475051
ZGG739102	4099101	ZGG739188	4099183	ZGG739266	4475052
ZGG739104	4099103	ZGG739193	4099188	ZGG739267	4475053
ZGG739105	4099104	ZGG739194	4099189	ZGG739269	4475055
ZGG739106	4099106	ZGG739195	4099190	ZGG739270	4475056
ZGG739108	4099111	ZGG739198	4099191	ZGG739271	4475057
ZGG739123	4099119	ZGG739205	4475001	ZGG739272	4475058
ZGG739125	4099114	ZGG739207	4475003	ZGG739280	4499085
ZGG739126	4099142	ZGG739208	4475004	ZGG739282	4475066
ZGG739128	4099130	ZGG739209	4475005	ZGG739284	4475067
ZGG739130	4099163	ZGG739210	4475006	ZGG739285	4475068
ZGG739133	4099136	ZGG739211	4475007	ZGG739287	4099206
ZGG739135	4099128	ZGG739213	4475009	ZGG740004	4499003
ZGG739137	4099121	ZGG739216	4475012	ZGG740008	4499010
ZGG739138	4099122	ZGG739219	4475015	ZGG741001	4399010
ZGG739139	4099123	ZGG739220	4475016	ZGG776664	4099207
ZGG739140	4099124	ZGG739221	4475017	ZGG8938	2999032
ZGG739142	4099132	ZGG739222	4475018	ZGGB222522	2199081
ZGG739143	4099116	ZGG739223	4475019	ZGGB416912	2175006
ZGG739144	4099117	ZGG739224	4475020	ZGGG701087	1099080
ZGG739146	4099131	ZGG739227	4475023	ZGGR1L340	3099054
ZGG739147	4099120	ZGG739228	4475024	ZGGR725003	3099057
ZGG739148	4099125	ZGG739229	4475025	ZGGR725009	3099055
ZGG739149	4099135	ZGG739230	4475026	ZGGR725012	3099056

This listing shows parts that are similar in physical interchangeability and function. Cross reference lists should not be used as application guides. Please refer to the proper listing in the applications section for specific make and model recommendations.

FLEETRITE	
Fleetrite Number	Kysor Number
ZGGR725021	3099007
ZGGR725022	3099073
ZGGR725024	3099061
ZGGR725025	3099042
ZGGR725025	3099062
ZGGR725026	3099063
ZGGR725027	3099064
ZGGR725028	3099065
ZGGR725029	3099066
ZGGR725030	3099047
ZGGR725032	3099068
ZGGR725033	3099069
ZGGR725034	3099070
ZGGR725035	3099071
ZGGR725036	3099072
ZGH51199	1407008
ZGH51200	1407009
ZGH51201	3713011
ZGH52001	1407002
ZGH54002	3475005
ZGH733045	1407004
ZGH733046	1407005
ZGH733068	3799020
ZGH733085	3799034
ZGH733087	3475066
ZGH733091	3475006
ZGH733092	1599100
ZGH733096	3475027
ZGH733097	3475036
ZGH733098	3475047
ZGH733099	3175005
ZGH733100	3175006
ZGH733101	3475002
ZGH733124	BSP00011COND12
ZGH733125	BSP00011COND24
ZGH733183	BSP00006HEAT12
ZGH733231	BSP00038AC12
ZGH733232	3475064
ZGH733273	3999008
ZGH733284	3999019
ZGH733382	3999114
ZGH733447	BSP00012COND12
ZGH733469	3475086
ZGH733506	3375039
ZGHS12731	2999037
ZGHS12732	2999036
ZNI733498	3699025
ZNI733504	4420001

FLEETRITE	
Fleetrite Number	Kysor Number
ZNI733505	4420002
ZNI733506	4420003
ZNI733507	4420004
ZNI733508	4420005
ZNI733509	4420006
ZNI733510	4420007
ZNI733513	3699031
ZNI733514	3699032
ZNI733515	3699033
ZNI733516	3699034
ZNI733517	3699035
ZNI733518	4420009
ZNI739217	4475013
ZNI740007	4499005
ZNI740008	4499006
ZNI740009	4499007
ZNI740010	4499008
ZNI740011	4499011
ZNI740012	4499012
ZNI740013	4499013
ZNI740014	4499014
ZNI740015	4499015
ZNI740016	4499016
ZNI740017	4499017
ZNI740018	4499018
ZNI740019	4499019
ZNI740020	4499020
ZNI740021	4499021
ZNI740022	4499022
ZNI740023	4499023
ZNI740024	4499024
ZNI740031	4499032
ZNI740033	4499036
ZNI740034	4499037
ZNI740035	4499038
ZNI740036	4499039
ZNI740037	4499040
ZNI740038	4499041
ZNI740040	4100005
ZNI740041	4100006
ZNI740042	4499043
ZNI740043	4499044
ZNI740053	4499054
ZNI740054	4499055
ZNI740055	4499056
ZNI740056	4499057
ZNI740057	4499058
ZNI740062	4499064

FLEETRITE	
Fleetrite Number	Kysor Number
ZNI740063	4499065
ZNI740064	4499075
ZNI740065	4499076
ZNI740066	4499077
ZNI740067	4499078
ZNI740069	4499082
ZNI740070	4499083
ZNI740071	4499084
ZNI740074	4499094

FORD	
Ford Number	Kysor Number
9827053	1999268
22-62372-000	1512028
4C4H-19C808-AA	1911013
4C4Z-19E889-AB	2799208
4C4Z-19E889LA	2799212
A22-47692-000	1401120
A22-47692-000	1410006
A22-48973-000	1410059
B7A-18527-B?	1099006
B8T-18504-B	1275003
BHT 87164	1511020
BHT E4698	1511023
C3AZ-19805-B	1099002
C3UZ-18495-A	2411004
C3UZ-18495-A	2411005
C4AZ-19805-A	1099002
C4TZ-18495-A	2411007
C4VZ-18527-A	1075031
C5AZ-18495-B	2411005
C5UZ-2884-A	1399004
C6OZ-19618-A	2399005
C6TZ-19959-A	1999030
C7AZ-19618-A	2375001
C7AZ-19805-B	1011015
C7TZ-18527-D	1099006
C7TZ-19805-A	1011016
C8SZ-18A435	2799085
C8TZ-18527-A	1011016
C8TZ-19618-A	2399010
C8ZZ-19805-B	1099002
C9AZ-19805-B	1099002
D0AZ-18504-A	1199015
D0HZ-19618-A	2399010
D1HZ-18495-B	2411001

Four Seasons

This listing shows parts that are similar in physical interchangeability and function. Cross reference lists should not be used as application guides. Please refer to the proper listing in the applications section for specific make and model recommendations.

FORD	
Ford Number	Kysor Number
D1RU-19618-A	2399022
D1RY-19618-A	2399022
D27Z-19618-A	2399022
D3DZ-19681-A	2399003
D3HZ-19959-A	1999226
D3HZ-9A675-A	2799086
D3NN-19618-A	2399019
D3NN-19825-A	1999030
D3TZ-19926-B	2799087
D4ZZ-19618-B	2399022
D6AZ-19618-A	1899011
D6NN-19559-A	1999030
D7HT-14806-AB	2211007
D8TZ-19618-A	2399011
D9HZ-18527-A	1099007
E0HZ-18495-C	2499044
E0TZ-19805-B	1099022
E1FZ-19618-A	2399022
E1FZ-19618-B	2399022
E1FZ-19D990-A	1811001
E3TZ-18504-A	1199008
E4HZ-19703-F	1410057
E69Z-19D990-A	1810003
E69Z-19D990-A	1899003
E6HZ-19805-A	1017003
E7TZ-19712-A	1599014
E8HZ-19959-A	1999013
E8TZ-19D990-A	1899002
E8UZ-19D990-A	1899002
E9HZ-19805-A	1099025
E9HZ-19A706	2012007
EOVY-19D990-A	1811001
F1HZ-19805-A	1011014
F1HZ-19C836-C	1999014
F2DZ-19D990-A	1899002
F2UZ-19805-A	1011003
F39Z-19D990-A	1899021
F3HZ-19849-A	1899031
F3XY-19D990-A	1811001
F4HT-19D629-CA	1401106
F4HT-19D629-CA	1410057
F4HZ-19712-A	1511005
F4HZ-19C836-A	1999004
F4TD-19D629-AA	1401433
F4TD-19D629-AA	1410069
F54Z-19D990-AB	1899003
F6HS-19D629-BA	1401355
F6HS-19D629-BA	1410056

FORD	
Ford Number	Kysor Number
F6HZ-19712-A	1511007
F6HZ-19C836-A	1911013
FDA-18495A	2411007
SKI4423	1401354
VAL1210364	1511019
XC3H-19D629-AB	1410012
XC3H-19D629-AB	1401365
XC3Z-19712-CA	1511018
XC4H-19D629-AA	1401364
XC4H-19E647-AA	1911013

FOUR SEASONS	
Four Seasons Number	Kysor Number
10106	2621101
10308	2621192
10310	2621193
10610	2622193
11408	2612102
11410	2612103
11608	2612192
11610	2612193
12718	1408013
12720	1408014
12728	1408010
12730	1408009
12778	1408002
12780	1408054
14306	2610777
14718	1408034
14720	1408035
14728	1408024
14730	1408025
20901	2013004
20903	2012006
20904	2013003
20906	2099006
20907	2012006
24117	2799031
24504	2799013
24506	2799015
24508	2799116
24510	2799117
24512	2799118
24526	2799020
24528	2799021

FOUR SEASONS	
Four Seasons Number	Kysor Number
24542	2799023
24606	2799115
24610	2799017
24612	2799018
28001	3199030
28002	3112012
28003	3112001
28004	3112009
28005	3118003
28006	3112006
28007	3112005
28008	3118002
28009	3114001
28011	3112007
28012	3199085
28015	3199020
33049	1911013
33068	1999004
33209	1910002
33241	1999238
33276	1975004
33313	1999030
33319	1999226
33356	1915005
33462	1917001
33528	1999257
33539	1999013
33736	1999272
33737	1999261
33743	1999234
33992	1999223
33996	1999232
35386	1099002
35392	1011014
35402	1011003
35446	1199010
35501	1011015
35502	1012009
35506	1075006
35523	1099006
35523	1099051
35528	1199009
35529	1199035
35540	1099013
35541	1099024
35543	1099015
35546	1017003

This listing shows parts that are similar in physical interchangeability and function. Cross reference lists should not be used as application guides. Please refer to the proper listing in the applications section for specific make and model recommendations.

FOUR SEASONS	
Four Seasons Number	Kysor Number
35554	1099003
35557	1099012
35557	1099024
35568	1011016
35576	1075031
35577	1099007
35601	1115003
35671	1017001
35702	2199005
35703	2199027
35715	2399018
35715	2399019
35716	2199008
35751	2299001
35758	2299005
35795	2010009
35845	2399004
35845	2399022
35846	2375001
35847	2399010
35888	2099005
35890	1899011
35895	2010010
35896	2299006
35898	2299033
35900	2299100
35928	2011001
35969	2010007
36659	2210001
37327	2214006
38621	1811001
38623	1810003
38635	1899003
38638	1810002
38639	1899002
38686	1813013
38880	1812016
38910	1812004
39163	1812011
47531	1313005
47534	1399046
47931	1399005
47968	1312001
47979	1399004
47994	1399027
52001	1511005
55016	2610001

FOUR SEASONS	
Four Seasons Number	Kysor Number
55018	2610002
55020	2610003
55044	2799084
55046	2799085
55050	2799087
58548	1401348
58567	1401483
58581	1410068
58591	1410040
58591	1410064
58591	1401331
58592	1401116
58596	1401427
58596	1410011
58638	1401332
58642	1410035
58642	1401367
58646	1401522
58649	1401140
58649	1410065
58650	1401101
58650	1410063
58666	1401113
58666	1410039
58666	1410062
58666	1401455
58700	1401108
58700	1410014
58700	1401375
58701	1401115
58701	1410016
58701	1410070
58702	1401117
58702	1401371
58702	1412005
58702	1410041
58702	1401378
58705	1401122
58705	1410008
58708	1401126
58708	1412003
58710	1401513
58711	1401110
58711	1401119
58711	1412001
58711	1410091
58740	1401340

FOUR SEASONS	
Four Seasons Number	Kysor Number
58740	1410094
58768	1410061
58768	1401467
58768	1401469
58770	1401342
58778	1401457
58779	1401400
58779	1410009
58780	1401114
58780	1410017
58781	1401508
58782	1401355
58782	1401364
58782	1410056
58783	1401512
58785	1401133
58785	1410027
58786	1401346
58786	1401428
58786	1410007
58788	1401359
58789	1410012
58789	1401365
58791	1401470
58792	1401471
58793	1401353
58793	1401361
58793	1410058
58793	1410059
58794	1401107
58794	1401341
58794	1412004
58794	1410013
58796	1401399
58796	1410023
58797	1401339
58797	1401360
58797	1410026
58798	1401458
58799	1401354
58799	1410082
58799	1401377
59010	4399068
59100	2799102
59622	1409002
59933	1409007
59972	2899024

Four Seasons

This listing shows parts that are similar in physical interchangeability and function. Cross reference lists should not be used as application guides. Please refer to the proper listing in the applications section for specific make and model recommendations.

FOUR SEASONS		FOUR SEASONS		FOUR SEASONS	
Four Seasons Number	Kysor Number	Four Seasons Number	Kysor Number	Four Seasons Number	Kysor Number
59973	2899025	68171	1401485	98598	1410025
65125	1407008	68171	1401486	98599	1401407
68157	1401200	68576	1401106	98599	1410046
68158	1401201	68576	1410057	152003	1513029
68158	1410031	68577	1410067	158505	1412010
68159	1401135	68578	1401118	158552	1410042
68159	1401202	68578	1401384	158552	1406006
68159	1410047	68578	1412002	158554	1401356
68159	1401375	68578	1410072	158554	1410001
68159	1410071	68589	1401386	158555	1410084
68160	1401204	74627	2411004	158555	1401374
68160	1410048	74628	2411005	158555	1401496
68161	1401206	74678	2410004	158567	1401519
68161	1410049	74781	2410001	158567	1401440
68161	1401475	75019	1099159	158567	1410093
68161	1401477	75021	1099160	158569	1401445
68162	1401128	75827	1012016	158571	1401464
68162	1401208	78551	1401468	158572	1401411
68162	1410050	78557	1401333	158572	1412007
68162	1410087	78557	1410066	158573	1401505
68163	1401210	78565	1401373	158574	1401491
68163	1401104	78565	1410043	158575	1401463
68163	1401138	78567	1401334	158577	1401429
68163	1401480	78567	1401344	158577	1410073
68163	1410051	78567	1401382	158578	1412006
68164	1401123	78567	1410037	158580	1401489
68164	1410052	78567	1401109	158582	1401490
68164	1401212	78567	1410020	158583	1401128
68164	1410085	78595	1410002	158583	1410087
68165	1401214	78596	1401433	158584	1401392
68166	1410054	78596	1410069	158586	1401465
68167	1401217	78597	1401347	158587	1401514
68167	1410105	78597	1410036	158590	1401436
68168	1401219	78597	1410083	158590	1410077
68168	1410104	84706	2411003	158594	1401523
68169	1410055	84744	2499053	158599	1401418
68170	1401111	88947	1401502	158599	1410100
68170	1401225	98551	1410019	168500	1401424
68170	1401330	98572	1401390	168500	1410080
68170	1401515	98572	1410022	168502	1401452
68170	1410015	98594	1401379	168503	1401446
68170	1410032	98594	1410024	168503	1412014
68170	1401484	98596	1401405	168508	1401474
68170	1410038	98596	1410003	168511	1401516
68171	1401136	98597	1401397	168512	1401366
68171	1401226	98597	1410028	168512	1410034
68171	1410033	98598	1401426	168513	1401451

This listing shows parts that are similar in physical interchangeability and function. Cross reference lists should not be used as application guides. Please refer to the proper listing in the applications section for specific make and model recommendations.

FOUR SEASONS	
Four Seasons Number	Kysor Number
168518	1401442
785559	1401476
34303 (MEI)	1999029
34333 (MEI)	1999029
35434 (KYS 275141)	1099011

FREIGHTLINER ALLIANCE	
Freightliner Alliance Number	Kysor Number
8566-0760	3199054
ABP N83 301001	1099007
ABP N83 301004	1015006
ABP N83 301012	1099019
ABP N83 301018	1099063
ABP N83 301023	1014005
ABP N83 301023	1099012
ABP N83 301023	1099024
ABP N83 301024	1013004
ABP N83 301024	1013015
ABP N83 301024	1099014
ABP N83 301025	1013004
ABP N83 301025	1013015
ABP N83 301025	1099014
ABP N83 301033	1075010
ABP N83 301042	1099004
ABP N83 301051	1099006
ABP N83 301065	1013005
ABP N83 301072	1099047
ABP N83 301073	1099070
ABP N83 301073	1099094
ABP N83 301075	1099003
ABP N83 301081	1017001
ABP N83 301101	1018003
ABP N83 301135	1011003
ABP N83 301147	1012010
ABP N83 301155	1011016
ABP N83 301161	1075031
ABP N83 301161	1099080
ABP N83 301167	1099153
ABP N83 301172	1099015
ABP N83 301172	1099049
ABP N83 301192	1099021
ABP N83 301222	1099018
ABP N83 301261	1014003
ABP N83 301261	1015002
ABP N83 301269	2199066

FREIGHTLINER ALLIANCE	
Freightliner Alliance Number	Kysor Number
ABP N83 301271	1099011
ABP N83 301274	1018006
ABP N83 301303	1012016
ABP N83 301304	1013008
ABP N83 301305	1017006
ABP N83 301307	1099063
ABP N83 301311	1075017
ABP N83 301317	1012006
ABP N83 301321	1075013
ABP N83 301322	1011015
ABP N83 301322	1017003
ABP N83 301322	1099025
ABP N83 301331	1075034
ABP N83 301331	1099023
ABP N83 301351	1075012
ABP N83 301362	1099026
ABP N83 301370	1075011
ABP N83 301382	1099007
ABP N83 301391	1075006
ABP N83 301411	1012009
ABP N83 301459	2113010
ABP N83 301461	1017004
ABP N83 301461	1017005
ABP N83 301531	1075022
ABP N83 301541	1014002
ABP N83 301591	1099029
ABP N83 301601	1099080
ABP N83 301611	1099072
ABP N83 301631	1099032
ABP N83 301741	1099013
ABP N83 301761	1099022
ABP N83 301771	1019001
ABP N83 301871	1099033
ABP N83 301877	1099012
ABP N83 301877	1099024
ABP N83 301881	1099051
ABP N83 301891	1099064
ABP N83 301901	1099125
ABP N83 301911	1099050
ABP N83 301921	1099034
ABP N83 301957	1099153
ABP N83 301971	1018002
ABP N83 301981	1017004
ABP N83 301987	1015007
ABP N83 302001	1113002
ABP N83 302011	1118001
ABP N83 302022	1199001

FREIGHTLINER ALLIANCE	
Freightliner Alliance Number	Kysor Number
ABP N83 302032	1199009
ABP N83 302041	1199010
ABP N83 302042	1199007
ABP N83 302051	1115001
ABP N83 302061	1113003
ABP N83 302061	1199003
ABP N83 302081	1199008
ABP N83 302101	1117002
ABP N83 302111	1199020
ABP N83 302112	1199006
ABP N83 302121	1199015
ABP N83 302122	1199049
ABP N83 302132	1199044
ABP N83 302142	1199045
ABP N83 302161	1115003
ABP N83 302211	1199043
ABP N83 302221	1199024
ABP N83 302222	1199007
ABP N83 302222	1199035
ABP N83 302261	1117003
ABP N83 302291	1113003
ABP N83 303011	1312001
ABP N83 303012	1399046
ABP N83 303021	1399027
ABP N83 303042	1399045
ABP N83 303051	1313008
ABP N83 303051	1399005
ABP N83 303052	1313005
ABP N83 303063	1380002
ABP N83 303071	1399017
ABP N83 303102	1399004
ABP N83 303113	1399008
ABP N83 303123	1380006
ABP N83 303127	1380004
ABP N83 303142	1313006
ABP N83 303221	1399013
ABP N83 303232	1399041
ABP N83 303252	1313005
ABP N83 303282	1399041
ABP N83 303287	1312002
ABP N83 303307	1380007
ABP N83 303371	1399014
ABP N83 303402	1399068
ABP N83 303422	1399068
ABP N83 303431	1313002
ABP N83 303571	1399014
ABP N83 304003	1401346

Freightliner Alliance

This listing shows parts that are similar in physical interchangeability and function. Cross reference lists should not be used as application guides. Please refer to the proper listing in the applications section for specific make and model recommendations.

FREIGHTLINER ALLIANCE		FREIGHTLINER ALLIANCE		FREIGHTLINER ALLIANCE	
Freightliner Alliance Number	Kysor Number	Freightliner Alliance Number	Kysor Number	Freightliner Alliance Number	Kysor Number
ABP N83 304004	1401201	ABP N83 304104	1401219	ABP N83 304283	1401115
ABP N83 304004	1410031	ABP N83 304104	1410104	ABP N83 304283	1410040
ABP N83 304014	1401206	ABP N83 304105	1401113	ABP N83 304283	1401331
ABP N83 304014	1410049	ABP N83 304105	1410039	ABP N83 304293	1410068
ABP N83 304019	1403001	ABP N83 304113	1410023	ABP N83 304303	1401330
ABP N83 304024	1401208	ABP N83 304114	1410055	ABP N83 304303	1410035
ABP N83 304024	1410050	ABP N83 304122	1410062	ABP N83 304303	1401367
ABP N83 304025	1403100	ABP N83 304125	1401108	ABP N83 304303	1410038
ABP N83 304031	1411002	ABP N83 304125	1410014	ABP N83 304313	1401110
ABP N83 304032	1401332	ABP N83 304129	1403125	ABP N83 304313	1401330
ABP N83 304034	1401210	ABP N83 304132	1401138	ABP N83 304313	1412001
ABP N83 304034	1410051	ABP N83 304133	1401341	ABP N83 304313	1410038
ABP N83 304035	1403101	ABP N83 304133	1412004	ABP N83 304314	1410046
ABP N83 304035	1403110	ABP N83 304141	1411015	ABP N83 304319	1410025
ABP N83 304039	1403112	ABP N83 304142	1401123	ABP N83 304324	1401413
ABP N83 304043	1410012	ABP N83 304142	1401140	ABP N83 304333	1401116
ABP N83 304043	1401365	ABP N83 304142	1410065	ABP N83 304343	1401118
ABP N83 304044	1410052	ABP N83 304142	1410085	ABP N83 304343	1401384
ABP N83 304044	1401212	ABP N83 304158	1401501	ABP N83 304343	1412002
ABP N83 304045	1403111	ABP N83 304158	1441001	ABP N83 304343	1410072
ABP N83 304049	1403114	ABP N83 304158	1440002	ABP N83 304344	1401114
ABP N83 304053	1401119	ABP N83 304159	1403104	ABP N83 304344	1410017
ABP N83 304053	1410091	ABP N83 304163	1401404	ABP N83 304362	1410066
ABP N83 304054	1401214	ABP N83 304163	1410002	ABP N83 304363	1401115
ABP N83 304055	1410037	ABP N83 304173	1401342	ABP N83 304394	1410084
ABP N83 304061	1411002	ABP N83 304173	1410004	ABP N83 304394	1401374
ABP N83 304061	1402002	ABP N83 304183	1401377	ABP N83 304403	1401133
ABP N83 304063	1401120	ABP N83 304199	1401416	ABP N83 304403	1410027
ABP N83 304063	1410006	ABP N83 304201	1411016	ABP N83 304404	1401123
ABP N83 304064	1401225	ABP N83 304203	1401344	ABP N83 304404	1410085
ABP N83 304064	1410032	ABP N83 304211	1411014	ABP N83 304412	1401104
ABP N83 304073	1410005	ABP N83 304213	1401379	ABP N83 304413	1401392
ABP N83 304073	1401121	ABP N83 304213	1410024	ABP N83 304422	1401111
ABP N83 304074	1401226	ABP N83 304214	1401217	ABP N83 304422	1401348
ABP N83 304074	1410033	ABP N83 304214	1410105	ABP N83 304432	1401373
ABP N83 304083	1401122	ABP N83 304239	1403105	ABP N83 304432	1410043
ABP N83 304083	1410008	ABP N83 304241	1401397	ABP N83 304434	1401353
ABP N83 304084	1410054	ABP N83 304241	1410028	ABP N83 304437	1412010
ABP N83 304093	1401125	ABP N83 304243	1401379	ABP N83 304442	1401202
ABP N83 304094	1401200	ABP N83 304249	1403015	ABP N83 304442	1410047
ABP N83 304095	1401107	ABP N83 304253	1412005	ABP N83 304443	1401136
ABP N83 304095	1410013	ABP N83 304253	1401378	ABP N83 304444	1401354
ABP N83 304095	1410018	ABP N83 304263	1401117	ABP N83 304444	1410082
ABP N83 304101	1411013	ABP N83 304263	1401371	ABP N83 304449	1403119
ABP N83 304102	1410064	ABP N83 304263	1410041	ABP N83 304454	1401355
ABP N83 304103	1401126	ABP N83 304273	1401334	ABP N83 304454	1410056
ABP N83 304103	1412003	ABP N83 304273	1410083	ABP N83 304455	1410099

This listing shows parts that are similar in physical interchangeability and function. Cross reference lists should not be used as application guides. Please refer to the proper listing in the applications section for specific make and model recommendations.

FREIGHTLINER ALLIANCE	
Freightliner Alliance Number	Kysor Number
ABP N83 304459	1403120
ABP N83 304461	1402002
ABP N83 304464	1410067
ABP N83 304474	1401106
ABP N83 304474	1410057
ABP N83 304479	1403116
ABP N83 304481	1401405
ABP N83 304481	1410003
ABP N83 304499	1403116
ABP N83 304503	1401356
ABP N83 304503	1410001
ABP N83 304534	1401400
ABP N83 304534	1410009
ABP N83 304539	1403119
ABP N83 304543	1401346
ABP N83 304543	1410007
ABP N83 304543S	1401428
ABP N83 304552	1401109
ABP N83 304553	1410023
ABP N83 304553S	1410101
ABP N83 304553S	1401420
ABP N83 304573	1401339
ABP N83 304573	1401360
ABP N83 304573	1410026
ABP N83 304573S	1401410
ABP N83 304574	1401380
ABP N83 304574	1410021
ABP N83 304582	1401204
ABP N83 304582	1410048
ABP N83 304584	1401375
ABP N83 304594	1401107
ABP N83 304604	1999040
ABP N83 304614	1401382
ABP N83 304622	1401391
ABP N83 304624	1410011
ABP N83 304629	1403137
ABP N83 304634	1401362
ABP N83 304634	1410010
ABP N83 304654	1401125
ABP N83 304661	1401406
ABP N83 304661	1410019
ABP N83 304664	1401344
ABP N83 304664	1401382
ABP N83 304664	1410020
ABP N83 304669Q	1401426
ABP N83 304672	1401347
ABP N83 304672	1410036

FREIGHTLINER ALLIANCE	
Freightliner Alliance Number	Kysor Number
ABP N83 304674	1410029
ABP N83 304674	1401383
ABP N83 304682	1401101
ABP N83 304682	1410063
ABP N83 304714	1410061
ABP N83 304724	1410105
ABP N83 304739	1403129
ABP N83 304741	1401390
ABP N83 304741	1410022
ABP N83 304749	1411009
ABP N83 304753	1401355
ABP N83 304753	1401364
ABP N83 304753	1410056
ABP N83 304762	1410059
ABP N83 304764	1401435
ABP N83 304773	1401361
ABP N83 304773	1410058
ABP N83 304774	1401415
ABP N83 304783	1410007
ABP N83 304784	1410061
ABP N83 304793	1401399
ABP N83 304803	1401341
ABP N83 304803	1401359
ABP N83 304803	1412004
ABP N83 304813	1410026
ABP N83 304823	1401120
ABP N83 304833	1401357
ABP N83 304833	1410095
ABP N83 304843	1401111
ABP N83 304853	1410016
ABP N83 304853	1410070
ABP N83 304863	1410019
ABP N83 304864	1401136
ABP N83 304873	1401118
ABP N83 304873	1412002
ABP N83 304893	1401127
ABP N83 304893	1410092
ABP N83 304903	1401339
ABP N83 304904	1410002
ABP N83 304912	1401128
ABP N83 304912	1410087
ABP N83 304913	1401340
ABP N83 304913	1410094
ABP N83 304914	1401438
ABP N83 304914	1441003
ABP N83 304914	1440001
ABP N83 304915	1401501

FREIGHTLINER ALLIANCE	
Freightliner Alliance Number	Kysor Number
ABP N83 304915	1441001
ABP N83 304915	1440002
ABP N83 304916	1441002
ABP N83 304916	1440003
ABP N83 304922	1401135
ABP N83 304922	1410071
ABP N83 304953	1401110
ABP N83 304953	1412001
ABP N83 304973	1401117
ABP N83 304973	1401371
ABP N83 304993	1401414
ABP N83 305000	1409003
ABP N83 305010	2799031
ABP N83 305015	1407008
ABP N83 305020	1407009
ABP N83 305030	1407029
ABP N83 305055	1409008
ABP N83 305065	1408005
ABP N83 305075	1408006
ABP N83 305075	1409002
ABP N83 305085	1408002
ABP N83 305095	1408001
ABP N83 305100	1408054
ABP N83 305105	1408053
ABP N83 305115	1408014
ABP N83 305125	1408013
ABP N83 305210	1408017
ABP N83 305235	1408015
ABP N83 305240	1408016
ABP N83 305255	1408020
ABP N83 305285	1408030
ABP N83 305300	1408025
ABP N83 305320	1408034
ABP N83 305325	1408035
ABP N83 305335	1408031
ABP N83 305340	1408045
ABP N83 305345	1408046
ABP N83 305350	1408043
ABP N83 305355	1408044
ABP N83 305360	1408047
ABP N83 305365	1408048
ABP N83 305370	1408051
ABP N83 305375	1408052
ABP N83 305400	1408009
ABP N83 305405	1408010
ABP N83 305415	1408039
ABP N83 305420	1407038

Freightliner Alliance

This listing shows parts that are similar in physical interchangeability and function. Cross reference lists should not be used as application guides. Please refer to the proper listing in the applications section for specific make and model recommendations.

FREIGHTLINER ALLIANCE		FREIGHTLINER ALLIANCE		FREIGHTLINER ALLIANCE	
Freightliner Alliance Number	Kysor Number	Freightliner Alliance Number	Kysor Number	Freightliner Alliance Number	Kysor Number
ABP N83 305420	1408040	ABP N83 307285	1618002	ABP N83 308281	1813007
ABP N83 305425	1407037	ABP N83 307290	1613006	ABP N83 308301	1899041
ABP N83 305440	1409010	ABP N83 307291	1613007	ABP N83 308361	1812010
ABP N83 305455	1401325	ABP N83 307295	1613002	ABP N83 308361	1812011
ABP N83 305465	1401326	ABP N83 307300	1614003	ABP N83 308389	1899014
ABP N83 305475	1401327	ABP N83 307300	1614004	ABP N83 308399	1899018
ABP N83 305495	1401329	ABP N83 307305	1613003	ABP N83 308483	1410015
ABP N83 305500	2799095	ABP N83 307310	1618005	ABP N83 309006	1299017
ABP N83 305565	1407010	ABP N83 307325	1617007	ABP N83 309013	1299007
ABP N83 305570	1407004	ABP N83 307330	1675001	ABP N83 309031	1299009
ABP N83 305920	1409017	ABP N83 307335	1614002	ABP N83 309041	1299010
ABP N83 305920	1409018	ABP N83 307375	1614005	ABP N83 309111	1299004
ABP N83 305940	1408027	ABP N83 307385	1699004	ABP N83 309141	1299002
ABP N83 306022	1518010	ABP N83 307390	1613005	ABP N83 309151	1275005
ABP N83 306031	1512015	ABP N83 307395	1613001	ABP N83 309151	1299019
ABP N83 306032	1512025	ABP N83 307400	1613007	ABP N83 309151	1299020
ABP N83 306033	1512027	ABP N83 307410	1617006	ABP N83 309181	1299021
ABP N83 306170	1512001	ABP N83 307425	1614008	ABP N83 309191	1299016
ABP N83 306190	1512002	ABP N83 307430	1614009	ABP N83 309201	1299013
ABP N83 306195	1512004	ABP N83 307445	1614006	ABP N83 309211	1299014
ABP N83 306240	1599005	ABP N83 307455	1617005	ABP N83 309251	1299015
ABP N83 306275	1512003	ABP N83 307638	1617015	ABP N83 309301	1299005
ABP N83 306280	1599011	ABP N83 308014	1813014	ABP N83 309311	1299008
ABP N83 306325	1513027	ABP N83 308014	1818007	ABP N83 310010	2612593
ABP N83 306327	1513032	ABP N83 308015	1899008	ABP N83 310031	2640792
ABP N83 306328	1513028	ABP N83 308017	1899003	ABP N83 310061	2499050
ABP N83 306329	1513029	ABP N83 308025	1899026	ABP N83 310061	2640701
ABP N83 306330	1513035	ABP N83 308027	1899002	ABP N83 310071	2499052
ABP N83 306337	1513033	ABP N83 308035	1813001	ABP N83 310071	2640702
ABP N83 306337	1513036	ABP N83 308037	1810002	ABP N83 310160	2612193
ABP N83 306420	1517011	ABP N83 308047	1899021	ABP N83 310178	2612192
ABP N83 306550	1514016	ABP N83 308049	1810003	ABP N83 310180	2612253
ABP N83 306560	1518006	ABP N83 308065	1813002	ABP N83 310188	2612252
ABP N83 306620	1514022	ABP N83 308067	1811001	ABP N83 310190	2611153
ABP N83 306875	1511005	ABP N83 308069	1812004	ABP N83 310190	2611192
ABP N83 306880	1511007	ABP N83 308069	1899020	ABP N83 310198	2612202
ABP N83 306895	1515003	ABP N83 308071	1899005	ABP N83 310200	2611203
ABP N83 306902	1515018	ABP N83 308077	1813008	ABP N83 310206	2612251
ABP N83 306905	1515006	ABP N83 308085	1875003	ABP N83 310210	2611193
ABP N83 306910	1515004	ABP N83 308085	1899009	ABP N83 310216	2611151
ABP N83 306920	1515002	ABP N83 308097	1812013	ABP N83 310226	2612291
ABP N83 307010	1612002	ABP N83 308101	1817001	ABP N83 310270	2612298
ABP N83 307095	1615008	ABP N83 308107	1812006	ABP N83 310278	2612292
ABP N83 307110	1699002	ABP N83 308117	1812007	ABP N83 310300C	2632506
ABP N83 307180	1699013	ABP N83 308151	1899031	ABP N83 310320C	2631597
ABP N83 307190	1675006	ABP N83 308231	1812010	ABP N83 310340C	2633803
ABP N83 307195	1615003	ABP N83 308241	1812005	ABP N83 310346C	2633801

This listing shows parts that are similar in physical interchangeability and function. Cross reference lists should not be used as application guides. Please refer to the proper listing in the applications section for specific make and model recommendations.

FREIGHTLINER ALLIANCE	
Freightliner Alliance Number	Kysor Number
ABP N83 310348C	2633802
ABP N83 310350C	2632566
ABP N83 310356C	2632559
ABP N83 310358C	2632560
ABP N83 310360C	2633898
ABP N83 310400	2612553
ABP N83 310406	2799046
ABP N83 310410	2799050
ABP N83 310418	2612297
ABP N83 310420	2611208
ABP N83 310426	2612296
ABP N83 310430	2611198
ABP N83 310440	2612209
ABP N83 310500	2612294
ABP N83 310500	2612519
ABP N83 310700C	2632593
ABP N83 310701C	2632594
ABP N83 310701C	2632597
ABP N83 310706C	2630701
ABP N83 310708C	2630702
ABP N83 310711C	2630703
ABP N83 310712	2630704
ABP N83 310716C	2630901
ABP N83 310718C	2630902
ABP N83 310726C	2631201
ABP N83 310728C	2631202
ABP N83 310731C	2630903
ABP N83 310732C	2631204
ABP N83 310736C	2631206
ABP N83 310738C	2632596
ABP N83 310741C	2631203
ABP N83 310742C	2632104
ABP N83 310748C	2632592
ABP N83 310751C	2631207
ABP N83 310756C	2632101
ABP N83 310758C	2632102
ABP N83 310761C	2632103
ABP N83 310762C	2632204
ABP N83 310766C	2632201
ABP N83 310768C	2632202
ABP N83 310771C	2632203
ABP N83 310772C	2632254
ABP N83 310776C	2632206
ABP N83 310778C	2632207
ABP N83 310781C	2632208
ABP N83 310782C	2632294
ABP N83 310784C	2632258

FREIGHTLINER ALLIANCE	
Freightliner Alliance Number	Kysor Number
ABP N83 310786C	2632251
ABP N83 310788C	2632292
ABP N83 310788C	2632252
ABP N83 310791C	2632253
ABP N83 310792C	2631294
ABP N83 310796C	2632291
ABP N83 310798C	2632292
ABP N83 310801C	2632293
ABP N83 310806C	2632296
ABP N83 310808C	2632297
ABP N83 310811C	2632298
ABP N83 310816C	2631296
ABP N83 310818C	2631292
ABP N83 310821C	2631298
ABP N83 310826C	2631291
ABP N83 310828C	2631297
ABP N83 310831C	2631293
ABP N83 310961	2630007
ABP N83 310962	2630008
ABP N83 310966	2630005
ABP N83 310968	2630006
ABP N83 310971	2630011
ABP N83 310972	2630012
ABP N83 310976	2630009
ABP N83 310978	2630010
ABP N83 310979	1409013
ABP N83 310980	1409016
ABP N83 311021	2799076
ABP N83 311022	2612254
ABP N83 311030	2622193
ABP N83 311036	2622401
ABP N83 311048	2621192
ABP N83 311050	2621193
ABP N83 311066	2621101
ABP N83 311072	2612194
ABP N83 311130	2612103
ABP N83 311194	2613892
ABP N83 311202	2611304
ABP N83 311220C	2630909
ABP N83 311226	2612191
ABP N83 311240	2620793
ABP N83 311246	2611191
ABP N83 311248	2620793
ABP N83 311250	2612293
ABP N83 311256	2610777
ABP N83 311258	1408024
ABP N83 311260	1408025

FREIGHTLINER ALLIANCE	
Freightliner Alliance Number	Kysor Number
ABP N83 311286	2612101
ABP N83 311288	2612102
ABP N83 311296	2612207
ABP N83 311360	2611198
ABP N83 311404	2612551
ABP N83 311432	2621604
ABP N83 311434	2611205
ABP N83 311436	2610003
ABP N83 311444	2612211
ABP N83 311452	2621694
ABP N83 311522	2610904
ABP N83 311536	2610901
ABP N83 311542	2611204
ABP N83 311551	2610903
ABP N83 311552	2611154
ABP N83 311562	2611194
ABP N83 311572	2612204
ABP N83 311591	2611303
ABP N83 311591	2611353
ABP N83 311592	2612504
ABP N83 311601	2612203
ABP N83 311606	2622651
ABP N83 311618	2621652
ABP N83 311628	2621692
ABP N83 311636	2621651
ABP N83 311668	2621606
ABP N83 311676	2612591
ABP N83 311678	2621656
ABP N83 311688	2621696
ABP N83 311702	2610771
ABP N83 311704	2610772
ABP N83 311706	2610777
ABP N83 311714	2610773
ABP N83 311716	2611351
ABP N83 311718	2610902
ABP N83 311748	2611206
ABP N83 311748	2611207
ABP N83 311758	2610778
ABP N83 311762	2610780
ABP N83 311776	2611391
ABP N83 311796	2611201
ABP N83 311806	2612201
ABP N83 311818	2611302
ABP N83 311818	2611352
ABP N83 311828	2611392
ABP N83 311838	2611202
ABP N83 311840	2621603

Freightliner Alliance

This listing shows parts that are similar in physical interchangeability and function. Cross reference lists should not be used as application guides. Please refer to the proper listing in the applications section for specific make and model recommendations.

FREIGHTLINER ALLIANCE		FREIGHTLINER ALLIANCE		FREIGHTLINER ALLIANCE	
Freightliner Alliance Number	Kysor Number	Freightliner Alliance Number	Kysor Number	Freightliner Alliance Number	Kysor Number
ABP N83 311846	2611196	ABP N83 312076	2712001	ABP N83 314101	1409012
ABP N83 311848	2611152	ABP N83 312092	2712003	ABP N83 314145	2899033
ABP N83 311860	2621693	ABP N83 312095	2799026	ABP N83 314146	2899033
ABP N83 311888	2612502	ABP N83 312105	2799027	ABP N83 314147	2899030
ABP N83 311907C	2630019	ABP N83 312125	2799202	ABP N83 314160	1409018
ABP N83 311908	2612208	ABP N83 312310	2799017	ABP N83 314180	1409007
ABP N83 311926C	2630017	ABP N83 312326	2799020	ABP N83 314181	1408050
ABP N83 311931C	2630020	ABP N83 312336	2799013	ABP N83 314183	1408049
ABP N83 311932C	2630910	ABP N83 312342	2799018	ABP N83 314190	1409011
ABP N83 311936C	2630911	ABP N83 312346	2799015	ABP N83 314201	1409007
ABP N83 311938C	2630908	ABP N83 312346	2799115	ABP N83 314202	1409006
ABP N83 311941C	2633893	ABP N83 312348	2799016	ABP N83 314230	2622403
ABP N83 311946C	2633891	ABP N83 312348	2799116	ABP N83 314285	1408036
ABP N83 311948C	2633892	ABP N83 312361	2712006	ABP N83 314315	2622551
ABP N83 311950	2612503	ABP N83 312366	2712004	ABP N83 314375	2899010
ABP N83 311951C	2632503	ABP N83 312368	2712005	ABP N83 314390	2899014
ABP N83 311952C	2630021	ABP N83 312372	2712007	ABP N83 314420	2899016
ABP N83 311956C	2632501	ABP N83 313100	2610002	ABP N83 314450	2899015
ABP N83 311956C	2632591	ABP N83 313100	2610003	ABP N83 314470	2899005
ABP N83 311958C	2632502	ABP N83 313102	2610004	ABP N83 314475	2899002
ABP N83 311961C	2630793	ABP N83 313106	2610001	ABP N83 314485	2899004
ABP N83 311962C	2630721	ABP N83 313118	2610001	ABP N83 314495	2899006
ABP N83 311964C	2630707	ABP N83 313118	2610002	ABP N83 314505	2899001
ABP N83 311966C	2630791	ABP N83 313300	2600013	ABP N83 314515	2899003
ABP N83 311968C	2630792	ABP N83 313305	1712008	ABP N83 315010	1712004
ABP N83 311971C	2631256	ABP N83 313401	2630003	ABP N83 315170	1717008
ABP N83 311972C	2630722	ABP N83 313402	2630004	ABP N83 315220	1715002
ABP N83 311976C	2631251	ABP N83 313406	2630001	ABP N83 315245	1715007
ABP N83 311978C	2631502	ABP N83 313408	2630002	ABP N83 315255	1715007
ABP N83 311980	2610779	ABP N83 313558	2799084	ABP N83 315300	1718001
ABP N83 311988C	2631252	ABP N83 313559	2799085	ABP N83 315305	1713004
ABP N83 311998C	2631592	ABP N83 313560	2799087	ABP N83 315310	1713001
ABP N83 312000	2799022	ABP N83 313905	2799086	ABP N83 315315	1714007
ABP N83 312005	2799024	ABP N83 314003	2899029	ABP N83 315320	1713003
ABP N83 312006	2799025	ABP N83 314004	2899032	ABP N83 315330	1799007
ABP N83 312008	2799021	ABP N83 314075	2899024	ABP N83 315335	1714004
ABP N83 312010	2799017	ABP N83 314085	2899025	ABP N83 315345	1717006
ABP N83 312010	2799117	ABP N83 314090	1409004	ABP N83 315380	1714006
ABP N83 312016	2799014	ABP N83 314091	1408037	ABP N83 315385	1714005
ABP N83 312022	2799023	ABP N83 314091	1409004	ABP N83 315390	1799005
ABP N83 312030	2799028	ABP N83 314091	1409005	ABP N83 315410	1713005
ABP N83 312032	2799018	ABP N83 314091	1409006	ABP N83 315430	1717005
ABP N83 312032	2799118	ABP N83 314091	1409011	ABP N83 315440	1717004
ABP N83 312038	2799030	ABP N83 314096	1409009	ABP N83 315445	1717002
ABP N83 312046	2799019	ABP N83 314096	1409014	ABP N83 315455	1799014
ABP N83 312060	2712002	ABP N83 314101	1408038	ABP N83 315540	1712011
ABP N83 312062	2799029	ABP N83 314101	1409005	ABP N83 315910	1612006

This listing shows parts that are similar in physical interchangeability and function. Cross reference lists should not be used as application guides. Please refer to the proper listing in the applications section for specific make and model recommendations.

FREIGHTLINER ALLIANCE	
Freightliner Alliance Number	Kysor Number
ABP N83 316035	2575004
ABP N83 316035	2575006
ABP N83 316040	2599037
ABP N83 316050	2575008
ABP N83 316065	2599036
ABP N83 316080	2599038
ABP N83 316105	2599043
ABP N83 316115	2599031
ABP N83 316120	2599041
ABP N83 316130	2599044
ABP N83 316140	2575003
ABP N83 317001	3212002
ABP N83 317017	3299002
ABP N83 317021	3299020
ABP N83 317022	3275002
ABP N83 317022	3299004
ABP N83 317024	3299018
ABP N83 317025	3275008
ABP N83 317029	3299034
ABP N83 317031	3299032
ABP N83 317032	3299031
ABP N83 317033	3299030
ABP N83 317034	3299037
ABP N83 317035	3299029
ABP N83 317042	3275009
ABP N83 317120	3299033
ABP N83 317550	3299043
ABP N83 317580	3299023
ABP N83 318013	3299049
ABP N83 318014	2299005
ABP N83 318030	2213010
ABP N83 318034	2275012
ABP N83 318043	3299046
ABP N83 318050	2213003
ABP N83 318053	3299045
ABP N83 318063	3299048
ABP N83 318064	2299001
ABP N83 318070	2275005
ABP N83 318073	3299047
ABP N83 318084	2299010
ABP N83 318089	2299033
ABP N83 318094	2213001
ABP N83 318094	2213006
ABP N83 318104	2213001
ABP N83 318108	2213007
ABP N83 318110	2299013
ABP N83 318120	2213002

FREIGHTLINER ALLIANCE	
Freightliner Alliance Number	Kysor Number
ABP N83 318131	2299100
ABP N83 318149	2299003
ABP N83 318163	3212008
ABP N83 318170	2217001
ABP N83 318179	2212002
ABP N83 318180	2212005
ABP N83 318184	2217002
ABP N83 318209	2212004
ABP N83 318229	2212001
ABP N83 318718	2299035
ABP N83 318748	2213009
ABP N83 318748	2299031
ABP N83 319004	1915005
ABP N83 319012	1918004
ABP N83 319014	1999007
ABP N83 319020	1999037
ABP N83 319044	1999032
ABP N83 319047	1918001
ABP N83 319048	1918001
ABP N83 319068	1999202
ABP N83 319110	1999203
ABP N83 319119	1999004
ABP N83 319134	1999229
ABP N83 319144	1999011
ABP N83 319174	1999012
ABP N83 319180	1999030
ABP N83 319194	1999226
ABP N83 319210	1999016
ABP N83 319220	1915005
ABP N83 319230	1999221
ABP N83 319259	1911013
ABP N83 319260	1999029
ABP N83 319270	1999016
ABP N83 319309	1911013
ABP N83 319310	1999022
ABP N83 319314	1919003
ABP N83 319315	1919003
ABP N83 319315	1919002
ABP N83 319330	1999011
ABP N83 319394	1918005
ABP N83 319395	1918005
ABP N83 319514	1999009
ABP N83 319514	1999034
ABP N83 319530	1999029
ABP N83 319554	1915002
ABP N83 319564	1919001
ABP N83 319565	1919001

FREIGHTLINER ALLIANCE	
Freightliner Alliance Number	Kysor Number
ABP N83 319634	1999261
ABP N83 319635	1999261
ABP N83 319654	1914004
ABP N83 319660	1918004
ABP N83 319690	1917001
ABP N83 319734	1912014
ABP N83 319735	1912014
ABP N83 319949	1913012
ABP N83 320110	2899028
ABP N83 320140	2099003
ABP N83 320140	2099013
ABP N83 320220	2114003
ABP N83 320220	2199003
ABP N83 320250	2012001
ABP N83 320280	2099009
ABP N83 320280	2099023
ABP N83 320290	2099002
ABP N83 321060	2099005
ABP N83 321060	2099006
ABP N83 321070	2012006
ABP N83 321130	2017001
ABP N83 321160	2018001
ABP N83 321200	2013003
ABP N83 321200	2013004
ABP N83 321210	2012007
ABP N83 321300	2013004
ABP N83 321300	2099004
ABP N83 322000	2114001
ABP N83 322000	2114002
ABP N83 322005	2199008
ABP N83 322015	4399006
ABP N83 322030	2112001
ABP N83 322055	2199006
ABP N83 322067	2113001
ABP N83 322067	2113003
ABP N83 322073	2199019
ABP N83 322073	2199061
ABP N83 322105	2175003
ABP N83 322150	2199005
ABP N83 322152	2199024
ABP N83 322185	2199009
ABP N83 322190	2118003
ABP N83 322190	2199027
ABP N83 322205	2117001
ABP N83 322270	2299006
ABP N83 322275	2199009
ABP N83 322303	2299008

Freightliner Alliance

This listing shows parts that are similar in physical interchangeability and function. Cross reference lists should not be used as application guides. Please refer to the proper listing in the applications section for specific make and model recommendations.

FREIGHTLINER ALLIANCE		FREIGHTLINER ALLIANCE		FREIGHTLINER ALLIANCE	
Freightliner Alliance Number	Kysor Number	Freightliner Alliance Number	Kysor Number	Freightliner Alliance Number	Kysor Number
ABP N83 322320	2199022	ABP N83 324245	2413003	ABP N83 328175	3112007
ABP N83 322325	2199023	ABP N83 324255	2413006	ABP N83 328194	3199025
ABP N83 322340	2199007	ABP N83 324305	2412015	ABP N83 328195	3199022
ABP N83 322390	1899011	ABP N83 324346	2412005	ABP N83 328204	3199018
ABP N83 322410	2299002	ABP N83 324355	2412010	ABP N83 328205	3199032
ABP N83 322420	2210001	ABP N83 324400	2499002	ABP N83 328213	3199050
ABP N83 322435	2112005	ABP N83 324410	2412013	ABP N83 328214	3199045
ABP N83 322435	2114003	ABP N83 324410	2499038	ABP N83 328215	3199049
ABP N83 322450	2113002	ABP N83 324425	2412007	ABP N83 328223	3199048
ABP N83 322480	2199010	ABP N83 324430	2499098	ABP N83 328225	3114001
ABP N83 322550	2118002	ABP N83 324460	1408022	ABP N83 328241	3199016
ABP N83 322560	2199021	ABP N83 324465	1408023	ABP N83 328244	3199033
ABP N83 322620	2118001	ABP N83 325010	2899100	ABP N83 328265	3113001
ABP N83 322800	2112013	ABP N83 325014	2610005	ABP N83 328275	3113005
ABP N83 322951	2112015	ABP N83 325021	4399068	ABP N83 328295	3113004
ABP N83 323000	2312001	ABP N83 325027	1407005	ABP N83 328305	3113001
ABP N83 323010	2399001	ABP N83 325060	2899030	ABP N83 328325	3113003
ABP N83 323014	2313001	ABP N83 325145	2799098	ABP N83 328335	3199021
ABP N83 323014	2399010	ABP N83 325146	2799099	ABP N83 328345	3112006
ABP N83 323014	2399022	ABP N83 325147	2799100	ABP N83 328365	3199052
ABP N83 323024	2313001	ABP N83 325148	2799101	ABP N83 328375	3112005
ABP N83 323034	2399011	ABP N83 325149	2799102	ABP N83 328375	3112012
ABP N83 323040	2399003	ABP N83 325150	2799103	ABP N83 328385	3112010
ABP N83 323040	2399005	ABP N83 325153	2799097	ABP N83 328475	3199045
ABP N83 323050	2399009	ABP N83 325159	2899031	ABP N83 328505	3199053
ABP N83 323058	2399004	ABP N83 325172	2899025	ABP N83 610408	2799048
ABP N83 323060	2399006	ABP N83 325175	2899026	ABP N83 610416	2612256
ABP N83 323063	2199005	ABP N83 325195	2799201	ABP N83 610460	2612257
ABP N83 323065	2213012	ABP N83 325196	2799200	BSM 360113	2799056
ABP N83 323065	2213013	ABP N83 326022	3099054	BSM 869942	3475077
ABP N83 323065	2313002	ABP N83 326050	3099042	BSM B201320	4099161
ABP N83 323074	2318001	ABP N83 326055	3099007	BSM B203603	4099162
ABP N83 323088	2375001	ABP N83 327308	2999060	BSM B300652	4099163
ABP N83 323100	2313003	ABP N83 327354	2599020	BSM F66-1117	4099164
ABP N83 323108	2399018	ABP N83 327355	2599071	BSM1000049325	4099160
ABP N83 323108	2399019	ABP N83 327367	2599015	BSM454715	4099142
ABP N83 323148	2175002	ABP N83 327371	3199015	BSM520939	4099144
ABP N83 323148	2199002	ABP N83 327372	2599012	BSM530707	4099145
ABP N83 323228	2318002	ABP N83 327380	3199020	BSM531019	4099146
ABP N83 324005	2417001	ABP N83 327915	2610006	BSM600187	4099147
ABP N83 324010	2499031	ABP N83 327981	2630013	BSM610102	4099148
ABP N83 324020	2411003	ABP N83 327982	2630014	BSM630057	4099149
ABP N83 324025	2499045	ABP N83 327983	2630015	BSM652542	4099151
ABP N83 324060	2499005	ABP N83 328020	2117005	BSM660715	4099152
ABP N83 324140	2413004	ABP N83 328085	3199041	BSM871245	4099156
ABP N83 324215	2411005	ABP N83 328125	3199025	RDH RD4 7131 0	1512032
ABP N83 324235	2499003	ABP N83 328135	3199030		

This listing shows parts that are similar in physical interchangeability and function. Cross reference lists should not be used as application guides. Please refer to the proper listing in the applications section for specific make and model recommendations.

FREIGHTLINER OE	
Freightliner OE Number	Kysor Number
207012	2799118
207583	1812004
208995	1099007
275152	1099002
520556	1399008
081685502	1299041
1000258578	BSP00039AC12
1000682164	4480085
00C18414	1380005
00C332639	1313005
00C332639	1380003
02-7010151	1899008
02-7010174	2399010
06-15104-000	2012005
1E6069	1512017
207068 / 085108-00	2299005
22-14366-000	1199001
22-20576-001	3212005
22-23640-000	2399003
22-25921-002	1403001
22-25921-003	1403001
22-32466-001	1512002
22-39302-001	1512001
22-41170-000	1402002
22-41180-000	1401111
22-41180-000	1410015
22-42084-002	1512003
22-43941-000	1512005
22-44270-001	2512007
22-44462-000	1401119
22-44462-000	1410091
22-44665-000	3112006
22-45017-000	1512011
22-47690-000	1410008
22-47691-000	1410005
22-47691-000	1401121
22-47693-000	1401126
22-47693-000	1412003
22-47694-000	1401125
22-48437-000	1401127
22-48437-000	1410092
22-51920-000	1403114
22-58414-000	1401397
22-59342-000	1401357
22-59342-000	1410095
22-62199-000	3199076
22-64074-000	1401498

FREIGHTLINER OE	
Freightliner OE Number	Kysor Number
22-65770-00	1401438
22-65770-001	1441003
22-65770-001	1440001
22-65771-001	1401501
22-65771-001	1441001
22-65771-001	1440002
22-65772-001	1441002
22-65772-001	1440003
22-71865-000	1099322
22-71966-000	4499095
23-11276-100	2012003
23-13201-000	2712004
23-13202-000	2712005
23-13203-000	2712006
23-13205-000	2712007
2809-820-016	1012010
311008 OLD #	1408039
65-00193-00	3199025
680 833 00 64	2499098
680-545-00-05	2012001
680-830-03-70	1599011
680-833-06-31	2512003
681-830-00-20	1512007
8040152P	2299031
9533N178	2399004
A 681 833 02 64	2499013
A06-11454-001	2112001
A06-30769-011	2112002
A06-30769-032	2112008
A06-44004-002	1812016
A06-94496-000	4499126
A22-011111-01	2099003
A22-10761	1399027
A22-11671-000	1312001
A22-14225-0	1999029
A22-14420-001	1813002
A22-14423-000	1812017
A22-14423-002	1812018
A22-14423-02	1899026
A22-14425-03	1999007
A22-15817-A	2399019
A22-18591-000	1899040
A22-21403-001	1099022
A22-22498-000	1399004
A22-22499	1399017
A22-23640-0	2399006
A22-23640-000	2318002

FREIGHTLINER OE	
Freightliner OE Number	Kysor Number
A22-24885-001	1512004
A22-28796-000	1912021
A22-36474	2212001
A22-37199-000	1912020
A22-43249-000	2212002
A22-43374-000	1401118
A22-43374-000	1412002
A22-44463-001	2412007
A22-45194-001	2212005
A22-45432-001	1812020
A22-46891-000	3112005
A22-47692-000	1401120
A22-47692-000	1410006
A22-48973-000	1410059
A22-51296-000	2212004
A22-66824-000	1512025
A22-66824-001	1512031
A22-66826-000	1512028
A22-67126-001	1512030
A22-69799-000	1912029
A22-71964-000	4499113
A22-71965-000	4499115
A22-72250-000	1512027
A22-72252-000	1512029
A22-72392-000	1912027
A22-72459-000	1512032
A22-75338-000	1099157
A4965, BOAA4965	1812006
ABP N10G 36000006	3112012
ABP N83 301014	1099034
ABP N83 301022	1099015
ABP N83 301065	1013005
ABP N83 302042	1199007
ABP N83 302081	1199008
ABP N83 305235	1408015
ABP N83 318000	2213007
ABP N83 319164	1999012
ABP N83 319208	1999203
ABP N83 319224	1999009
ABP N83 319614	1912024
ABP N83 319624	1912023
ABP N83 319674	1912025
ABP N83 319734	1912022
ABP N83 319744	1912026
ABP N83 321010	2013003
ABP N83 322410	2299002
ABP N83 323018	2199002

Freightliner OE

This listing shows parts that are similar in physical interchangeability and function. Cross reference lists should not be used as application guides. Please refer to the proper listing in the applications section for specific make and model recommendations.

FREIGHTLINER OE		FREIGHTLINER OE		FREIGHTLINER OE	
Freightliner OE Number	Kysor Number	Freightliner OE Number	Kysor Number	Freightliner OE Number	Kysor Number
ABP N83 323030	2399009	BSM 1000086470	4099085	BSM 1000193499	4499036
ABP N83 324140	2413004	BSM 1000096864	4099131	BSM 1000193500	4499037
ABP N83 325015	2799200	BSM 1000113415	4099166	BSM 1000198369	2499088
BER 525222	4399001	BSM 1000132409	4499014	BSM 1000202058	1299031
BHT 87164	1511020	BSM 1000132411	4499013	BSM 1000203491	4475009
BHT P5631001	1512010	BSM 1000132413	4499011	BSM 1000206325	1717015
BOA 91567	1612011	BSM 1000133279	3399039	BSM 1000213961	4499038
BOA 91594	2113009	BSM 1000133405	4475048	BSM 1000214467	4499040
BOA 91616	1612012	BSM 1000133568	1713006	BSM 1000214510	4499041
BOA 91619	2312002	BSM 1000134217	4475049	BSM 1000215106	4475018
BOA 91621	3112010	BSM 1000134248	4499005	BSM 1000215256	4475019
BOA 93674	1812007	BSM 1000134276	4480019	BSM 1000215304	4475020
BOA 93675	1712008	BSM 1000134338	4499006	BSM 1000224619	4475052
BOA 98213	2112015	BSM 1000134371	4499007	BSM 1000230085	4475006
BOA D8587	1012016	BSM 1000134376	4499008	BSM 1000230326	4399133
BOA M9104001	1712007	BSM 1000138752	4480023	BSM 1000230381	4475001
BOA N8119001	1812012	BSM 1000138867	4499012	BSM 1000230502	4475004
BOA N9535001	1812008	BSM 1000146165	1099161	BSM 1000230729	4475005
BOA-632-001-00	2012006	BSM 1000149542	3899002	BSM 1000230739	4475012
BOA-73-000-04-02	1612002	BSM 1000163931	3699025	BSM 1000230792	4420001
BOA-80-321-00-049	1899047	BSM 1000167211	4499010	BSM 1000234546	4475026
BOA-80-321-00-259	1812010	BSM 1000168452	4475003	BSM 1000234558	4475025
BOA-80-415-00-789	1012006	BSM 1000169770	4099158	BSM 1000234566	4475027
BOA-80-618-00-069	3212008	BSM 1000170160	3399054	BSM 1000234569	4475028
BOA-80-946-00-109	2312001	BSM 1000171544	4499021	BSM 1000235371	4475053
BSM 1000004716	3199084	BSM 1000171683	4499022	BSM 1000235880	2499087
BSM 1000007617	4099116	BSM 1000171686	4499023	BSM 1000235938	4475029
BSM 1000007618	4099117	BSM 1000171688	4499024	BSM 1000235958	4475030
BSM 1000014373	4099128	BSM 1000173480	4099179	BSM 1000236036	4475055
BSM 1000014440	4099124	BSM 1000173812	4499033	BSM 1000236361	4475037
BSM 1000021997	2660018	BSM 1000174251	4099188	BSM 1000236384	4475031
BSM 1000023045	4099130	BSM 1000174286	4099180	BSM 1000236388	4475032
BSM 1000025409	4099167	BSM 1000174296	4475050	BSM 1000236401	4475033
BSM 1000033591	1099119	BSM 1000174302	4475051	BSM 1000236644	4420002
BSM 1000040429	4099114	BSM 1000175449	4480028	BSM 1000236697	4420003
BSM 1000041921	4099121	BSM 1000175537	4099181	BSM 1000236701	4420004
BSM 1000042067	4099123	BSM 1000176050	4499015	BSM 1000236731	4420005
BSM 1000042815	4099122	BSM 1000176058	4499016	BSM 1000236773	4420006
BSM 1000043504	4099165	BSM 1000176060	4499017	BSM 1000236777	4420007
BSM 1000044188	1013009	BSM 1000177227	4499018	BSM 1000236898	4475034
BSM 1000044640	4475047	BSM 1000177230	4499019	BSM 1000243510	4475056
BSM 1000044881	4499029	BSM 1000177374	4499020	BSM 1000243534	4480031
BSM 1000046148	1099077	BSM 1000183201	4475023	BSM 1000247777	4475057
BSM 1000046149	1099090	BSM 1000184211	4475013	BSM 1000247778	4475058
BSM 1000054715	4480012	BSM 1000186314	3199081	BSM 1000251422	4499039
BSM 1000058887	4480015	BSM 1000190324	4499032	BSM 1000255856	3699031
BSM 1000058888	4099173	BSM 1000192444	4099193	BSM 1000259751	3699032

This listing shows parts that are similar in physical interchangeability and function. Cross reference lists should not be used as application guides. Please refer to the proper listing in the applications section for specific make and model recommendations.

FREIGHTLINER OE	
Freightliner OE Number	Kysor Number
BSM 1000266484	4499104
BSM 1000269790	4499105
BSM 1000270409	3699033
BSM 1000270666	3699034
BSM 1000270699	3699035
BSM 1000278423	4499043
BSM 1000278426	4499044
BSM 1000278445	4499106
BSM 1000280748	4100006
BSM 1000280749	4100005
BSM 1000282660	4099194
BSM 1000283405	4480040
BSM 1000283713	4480041
BSM 1000285448	4420009
BSM 1000290203	4480042
BSM 1000290933	4480043
BSM 1000295771	4099197
BSM 1000299202	4099195
BSM 1000300319	4499107
BSM 1000309203	4099199
BSM 1000309205	4099198
BSM 1000311715	2213016
BSM 1000315710	4499054
BSM 1000320398	4499055
BSM 1000320402	4499056
BSM 1000320709	4499094
BSM 1000323248	4499057
BSM 1000323252	4499058
BSM 1000324672	4499085
BSM 1000338797	4099200
BSM 1000339434	4499064
BSM 1000339437	4499065
BSM 1000341665	4480058
BSM 1000342516	4475041
BSM 1000342540	4099203
BSM 1000345678	4480060
BSM 1000346059	2499120
BSM 1000346064	2499108
BSM 1000346164	2499127
BSM 1000346774	2499134
BSM 1000346874	2414008
BSM 1000347886	4499088
BSM 1000348325	2499121
BSM 1000348350	2412015
BSM 1000356768	1012015
BSM 1000360348	1099325
BSM 1000360349	1099306

FREIGHTLINER OE	
Freightliner OE Number	Kysor Number
BSM 1000360822	4499075
BSM 1000360826	4499076
BSM 1000365409	3399033
BSM 1000365412	3399024
BSM 1000368102	1099305
BSM 1000368102	1099327
BSM 1000368103	1099328
BSM 1000368105	1099330
BSM 1000373392	2499113
BSM 1000373395	2499111
BSM 1000386862	4099202
BSM 1000388483	4499078
BSM 1000400456	4499079
BSM 1000409989	2499114
BSM 1000416685	4499077
BSM 1000426128	1099135
BSM 1000431722	2499130
BSM 1000435998	4480064
BSM 1000457316	4480065
BSM 1000475575	3399009
BSM 1000493450	4475066
BSM 1000522984	4499082
BSM 1000523006	4499083
BSM 1000525725	4499084
BSM 1000532111	3099068
BSM 1000579313	4480073
BSM 1000579951	4480074
BSM 1000580123	4475067
BSM 1000580166	4475068
BSM 1000611575	4499087
BSM 1000631209	4480081
BSM 1000634446	2499142
BSM 1000638620	4499096
BSM 1000638780	4480082
BSM 1000694282	1099146
BSM 1000776664	4099207
BSM 1000859546	4480095
BSM 1000860729	2099026
BSM 1000947181	4480099
BSM 1000948225	4480101
BSM 1001276274	4430001
BSM 1001330147	3620010
BSM 1001330451	3620008
BSM 100148651	1099319
BSM 1001487644	1099326
BSM 108219	1799077
BSM 108242	1799069

FREIGHTLINER OE	
Freightliner OE Number	Kysor Number
BSM 108259	1799010
BSM 108271	1799011
BSM 108274	1799012
BSM 108275	1799013
BSM 108276	1799071
BSM 108336	1799040
BSM 108337	1799016
BSM 108346	1799025
BSM 108433	1799028
BSM 108442	1799029
BSM 110180	1799018
BSM 110600	1799036
BSM 201320	1099029
BSM 202270	1075031
BSM 202520	1099032
BSM 203088	1099051
BSM 203090	1099026
BSM 203233	1099052
BSM 203234	1099053
BSM 203235	1014006
BSM 203374	1013007
BSM 203412	1099128
BSM 301051	1099006
BSM 301075	1099003
BSM 301082	1017003
BSM 301222	1099018
BSM 301252	1099025
BSM 301601	1099080
BSM 301661	1099050
BSM 302161	1115003
BSM 302181	1113003
BSM 305385	1408050
BSM 307430	1614009
BSM 308101	1817001
BSM 308379	1899020
BSM 309231	1299017
BSM 311038	2611152
BSM 312002	2799116
BSM 312040	2799017
BSM 314405	1409009
BSM 318063	3299048
BSM 318100	2213003
BSM 318164	2213006
BSM 319218	1919001
BSM 319284	1999037
BSM 321000	2099004
BSM 322050	2199009

Freightliner OE

This listing shows parts that are similar in physical interchangeability and function. Cross reference lists should not be used as application guides. Please refer to the proper listing in the applications section for specific make and model recommendations.

FREIGHTLINER OE		FREIGHTLINER OE		FREIGHTLINER OE	
Freightliner OE Number	Kysor Number	Freightliner OE Number	Kysor Number	Freightliner OE Number	Kysor Number
BSM 323100	2313003	BSM 542300	3199028	BSM 756020	1299007
BSM 323168	2175002	BSM 550800	3199060	BSM 756550	1299045
BSM 324170	2499002	BSM 557110	2599037	BSM 756610	1299021
BSM 325027	1407005	BSM 560101	4099082	BSM 756720	1299023
BSM 325030	2899033	BSM 560126	2600025	BSM 808810	3299032
BSM 327380	3199020	BSM 560127	2600026	BSM 808900	3299034
BSM 328020	2117005	BSM 560128	2600024	BSM 865140	2499068
BSM 404279	2275003	BSM 560235	4099126	BSM 867266	4399017
BSM 4430007	4430007	BSM 564200	2499145	BSM 868516	1799015
BSM 444700	4399147	BSM 566300	1199044	BSM 868790	1099063
BSM 454512	4099050	BSM 571040	1199045	BSM 869058	2499069
BSM 454587	4099054	BSM 571830	2599073	BSM 869158	1099116
BSM 455322	4099143	BSM 573260	2575004	BSM 869172	2499078
BSM 500088	3299042	BSM 575080	1275005	BSM 869351	1299003
BSM 500089	3299057	BSM 575990	2599048	BSM 870235	4099033
BSM 500170	1299014	BSM 577830	3299029	BSM 880014	3899007
BSM 507700	1199043	BSM 581520	1299037	BSM 880048	3699003
BSM 510014	1199038	BSM 584200	3199046	BSM 890072	2199027
BSM 515400	1199024	BSM 584220	3299044	BSM 890077	2599050
BSM 519703	1099097	BSM 585410	2599056	BSM B411407	1075018
BSM 525048	2599070	BSM 585520	3299033	BSM E525082	2599051
BSM 525169	3199035	BSM 586970	3299030	BSM E525095	1099134
BSM 525185	2599089	BSM 587380	1299015	BSM F45-1001	4099005
BSM 525209	3199041	BSM 589640	2799210	BSM F45-1002	4099002
BSM 525259	3199052	BSM 600187	4099147	BSM1000129489	4099140
BSM 525406	3199027	BSM 622290	4399091	BSM1000129493	4099141
BSM 525458	3199031	BSM 650625	2113007	BSM100305619	1513033
BSM 525462	2599080	BSM 650656	4399149	BSM303063	1380002
BSM 525463	2599079	BSM 651225	4099075	BSM303123	1380006
BSM 525600	3199053	BSM 651251	4099170	BSM303127	1380004
BSM 525801	3199071	BSM 651253	4480005	BSM454634	4099046
BSM 525802	3199055	BSM 651324	2217002	BSM454635	4099044
BSM 525812	2599049	BSM 651383	4099091	BSM454641	4099052
BSM 525823	2599047	BSM 651462	4475046	BSM454641	4099053
BSM 525836	3199064	BSM 652420	2099013	BSM454651	4099011
BSM 526036	3199094	BSM 652516	4480006	BSM454691	4099070
BSM 526427	3199082	BSM 652518	4099171	BSM454724	4099021
BSM 526431	3199067	BSM 652541	4099150	BSM454725	4099022
BSM 529904	4099132	BSM 652544	4499003	BSM454738	4099023
BSM 530006	3299037	BSM 660320	2199063	BSM454753	4099039
BSM 530262	2199098	BSM 660746	2199062	BSM454754	4099038
BSM 530263	2199099	BSM 660762	2199076	BSM454758	4099037
BSM 530264	2199097	BSM 660827	4099104	BSM454802	4099067
BSM 530851	1899032	BSM 670136	4099206	BSM454873	4099024
BSM 538700	1199049	BSM 670137	4099201	BSM454991	4099057
BSM 540021	1899005	BSM 710105	3399030	BSM500105	3275014
BSM 540900	3199047	BSM 756010FR	1299009	BSM500169	4099003

This listing shows parts that are similar in physical interchangeability and function. Cross reference lists should not be used as application guides. Please refer to the proper listing in the applications section for specific make and model recommendations.

FREIGHTLINER OE	
Freightliner OE Number	Kysor Number
BSM500198	4099106
BSM530718	4099012
BSM530719	4099013
BSM530724	4099014
BSM530805	4099029
BSM530826	4099000
BSM560065	4099025
BSM604204	4099120
BSM630049	4099133
BSM651291	2199067
BSM660706	4099100
BSM660707	4099101
BSM660724	4099059
BSM660778	4099103
BSM868649	4099080
BSM870001	4099125
BSM870059	4099045
BSM870143	4099017
BSM870188	4099041
BSM870192	4099040
BSM870224	4099068
BSM870236	4099027
BSM870331	4099028
BSM870405	4099135
BSM870513	4099043
BSM871303	4099111
BSM871425	4099119
BSMB300642	4099136
BSMB316000	2799088
BSMB360924	4099004
CYP 721	3212002
FSC 1749-1907	2212006
III8040135	2299035
III8040136	2213009
INM 2G754A	2199005
KYS 170144	3275001
KYS 170145	3275002
KYS 170363	3299004
KYS 173070	2799037
KYS 173089	2475002
KYS 173090	2499006
KYS 173139	2499015
KYS 220746	2175004
KYS 220990	2099016
KYS 221503	2114001
KYS 221522	2175010
KYS 221670	2075001

FREIGHTLINER OE	
Freightliner OE Number	Kysor Number
KYS 243029	2599009
KYS 260231	1175002
KYS 260570	1199042
KYS 260640	1117002
KYS 260680	1199009
KYS 265330	1275001
KYS 265600	1275003
KYS 275102	1075051
KYS 275140	1099024
KYS 275141	1099011
KYS 275152	1099004
KYS 275165	1075009
KYS 275181	1075036
KYS 275230	1075012
KYS 275252	1099019
KYS 275254	1099147
KYS 275256	1075014
KYS 275265	1075016
KYS 275266	1075017
KYS 280279	1799009
KYS 280354	1775003
KYS 300242	4399060
KYS 300442	2799218
KYS 300448	2799217
KYS 311000	2799084
KYS 312000	2799085
KYS 354011	4399105
KYS 360223	3275004
KYS 360306	4399076
KYS 360400	3275007
KYS 360480	1199035
KYS 360880	3275012
KYS 380032	2575003
KYS 380053	2599025
KYS 380060	2575005
KYS 380064	2575007
KYS 400049	1617007
KYS 400050	1675001
KYS 400074	1675006
KYS 400189	1699006
KYS 401024	1575002
KYS 402496	1999226
KYS 402533	1999032
KYS 402825	1403104
KYS 402829	1403105
KYS 404077	2399011
KYS 404122	2299013

FREIGHTLINER OE	
Freightliner OE Number	Kysor Number
KYS 404142	2299023
KYS 404145	2399026
KYS 404157	2399001
KYS 404270	1408028
KYS 404271	1408029
KYS 404292	1875003
KYS 405666	2650001
KYS 407234	3199005
KYS 407294	3199007
KYS 411271	1075025
KYS 411343	1075020
KYS 417084	3475059
KYS 570140	4399068
MOD 1E6068	1512015
N10G-91595	3112009
N31-01403-000	1199023
N9383001	1612018
OCC511204	1313006
OTC 2EK268	2575009
PH63856	2899032
POT VF4 15F11	2099002
RD-5-10085-0M	2799013
RDH RD5 10333 0	1899041
RDH RD5 10381 0	1014005
RDH RD5 10387 0	1011003
RDH RD5 10388 0	1011016
RDH RD5 10395 0	1018002
RDH RD5 10397 0	1313002
RDH RD5 10548 0	2630019
RDH RD5 10554 0	2631252
RDH RD5 10555 0	2631251
RDH RD5 10556 0	2631256
RDH RD5 10558 0	2633802
RDH RD5 10559 0	2633803
RDH RD5 10560 0	2633891
RDH RD5 10564 0	2632503
RDH RD5 10565 0	2632506
RDH RD5 10566 0	2632502
RDH RD5 10567 0	2632559
RDH RD5 10568 0	2632560
RDH RD5 10569 0	2632566
RDH RD5 10570 0	2630911
RDH RD5 10571 0	2630908
RDH RD5 10572 0	2630909
RDH RD5 10573 0	2630910
RDH RD5 10574 0	2631507
RDH RD5 10575 0	2631502

IC Corp

This listing shows parts that are similar in physical interchangeability and function. Cross reference lists should not be used as application guides. Please refer to the proper listing in the applications section for specific make and model recommendations.

FREIGHTLINER OE	
Freightliner OE Number	Kysor Number
RDH RD5 10576 0	2631592
RDH RD5 10577 0	2631597
RDH RD5 10578 0	2630791
RDH RD5 10579 0	2630792
RDH RD5 10580 0	2630793
RDH RD5 10593 0	3199030
RDH RD5 10738 0	1401133
RDH RD5 10775 0	3113004
RDH RD5 10905 0	1018003
RDH RD5 11521 0	1403129
RDH RD5 3746 1	2640705
RDH RD5 4233 24	1075011
RDH RD5 5403 3	1599100
RDH RD5 6949 0	2611192
RDH RD5 7075 0	2610904
RDH RD5 7732 0	2610006
RDH RD5 7805 0	2611201
RDH RD5 8490 0	2114003
RDH RD5 8490 0	2199003
RDH RD5 8680 0	1401136
RDH RD5 8772 0	2799047
RDH RD5 8773 0	2799049
RDH RD5 8774 0	2799051
RDH RD5 8945 0	1401104
RDH RD5 9633 0	3099042
RDH RD5 9812 0	1409010
RDH RD5 9813 0	1408022
RDH RD5 9814 0	1408023
RDH RD5 9987 0	2799202
RDH RD5 9989 0	2799201
SKI 4548	1401418
SKI 4808	1401420
SKI 4808	1410101
SKI4307	1410074
SKI4314S	1401460
SKI4381S	1401425
SKI4381S	1410102
SKI4404	1401464
SKI4417	1410007
SKI4417S	1401428
SKI4430S	1401410
SKI4543S	1401396
SKI4543S	1410099
SKI4548	1410100
SKI4626	1401107
SKI4776	1401399
SKI4802S	1401438

FREIGHTLINER OE	
Freightliner OE Number	Kysor Number
SKI4802S	1412010
SKI4804S	1401419
SKI4818	1401346
SKI4819	1401339
SKI4819	1401360
SKI4820	1401340
SKI4820	1410094
SKI4821	1401341
SKI4821	1401359
SKI4821	1412004
SKI4885	1401513
TBB 103290	1299032
TBB 104947	3399068
TBB 115416	1299042
TBB 125882	1299025
TBB 129547	1299030
TBB 150627	1299036
TBB 167964	3399040
TBB 52000386	2099023
TBB 61250359	2599069
TBB 66000672	4399058
TBB 66005071	4399004
TBB 85660760	3199054
VAL1210364	1511019
VCC 31000005	1712011
VCC 32000022	2113010
VCC 83000036	2312003
VCC 88000030	1812011
VCC T1000044L	1812013
VCC T1000921S	3112007
VCC T1001428N	1812014
YRK 488-45018	1401331

GILLIG	
Gillig Number	Kysor Number
1000346601	2499133
51-00123-001	1299026
51-10855-001	1299041
51-10855-003	1299039
51-25030-000	2118001
53-25035-000	3299030
53-29300-000	1099306
82-00148-002	1199045
82-01752-000	3299029
82-06319-000	1799018

GILLIG	
Gillig Number	Kysor Number
82-06323-000	1099029
82-06324-001	1099033
82-06325-001	1799069
82-06329-000	1013006
82-06352-000	3199028
82-06356-000	1299017
82-08780-005	4399147
82-09631-004	3199050
82-09632-006	4399058
82-10582-005	2599070
82-11443-000	2599073
82-13172-000	1299037
82-13441-000	1275005
82-13713-001	2099004
82-16597	3199033
82-18121-000	1299009
82-18553-001	4399001
82-19329-002	4399091
82-23399-000	1099051
82-29801-000	3199031
82-61443-000	3899023

IC CORP	
IC Corp Number	Kysor Number
73069010	1013006
92711600	1099040
93107300	1899032
426826001	3299002
426827001	2499021
426829002	2199026
427484008	1117001
427484009	2099020
427485008	3299020
430164001	3299062
431736001	3399084
431736013	1799057
433093001	1299029
435341004	2599076
436968001	1299022
437122019	1775017
437122023	1099095
437528001	3113007
438659002	1799054
438660002	1799021
438964004	4399040
438964005	4399087

This listing shows parts that are similar in physical interchangeability and function. Cross reference lists should not be used as application guides. Please refer to the proper listing in the applications section for specific make and model recommendations.

IC CORP	
IC Corp Number	Kysor Number
440626011	1799056
441086001	3299052
441179004	1799058
441179005	3299026
441355001	3899021
441355006	2599075
441537001	3199090
442129012	1099024
442129021	2799085
446637001	3199072
447526002	1799049
448253001	3399026
449428011	1799027
450037004	2099016
450037008	1199029
450037019	1199028
450038001	2599025
450038002	2575009
450038004	4399142
450096004	1799047
450096021	1075036
450139001	1099080
452046004	2599059
452046006	2599060
452046009	1099161
452046010	1075020
1696836C1	2099004
2205723C1	2499144
2206537C95	3399063
2206538C95	3399064
2210999C1	1299023
2211903C1	3113008
2211904C1	3113009
2217914C1	1099098
2217916C1	3299018
2219715C1	2640796
2227279C92	1099319
2227279C93	1099319
2228159C1	3399082
2229059C1	3399035
2230237C91	1299035
2230237C91	1299035
2230239C91	1299034
2230256C91	1099121
2238251C1	1713006
2503277C1	1099034
2503743C91	2599090
2507207C1	1799020

IC CORP	
IC Corp Number	Kysor Number
2507219C1	2599051
2507220C1	3199066
2507222C1	2599052
2507223C1	2599053
2507231C1	1199006
2507242C1	1099116
2507243C1	2499078
2509051C1	2099013
2509225C1	1799026
2509228C1	3199073
2511225C1	2099019
2512552C91	1799066
2513048C1	1799072
2515529C1	2599075
2585989C1	1799028
2585992C1	3199074
2586986C1	1013007
2587218C1	2199064
2587219C1	2199065
2587494C1	1799050
2587507C1	2599061
2588271C1	2599062
2588423C1	2599057
2589562C1	1799012
2589571C1	1799013
2593515C1	3199088
2594604C92	1099120
2595282C91	1099130
2595285C2	2017002
2598644C1	1099077
2598648C1	1013009
2598661C1	2499096
2607897C91	1099097
2607901C1	1799045
2607910C1	2599068
2607912C1	3199092
3594934C4	3399003
3628830C92	3899015
3661993C93	3399090
3722143C94	3399086
3791189C1	2499146
3864119C1	3399036
3864183C1	3399037
3957323C91	1099316
3957534C91	1099317
3991274C1	3399056
488831C1	1099011
ZGG11621	1117001

IC CORP	
IC Corp Number	Kysor Number
ZGG16411	1117002
ZGG701064	1099054
ZGG701108	1099090
ZGG703003	1299017
ZGG717078	2499125
ZGG720004	3199031
ZGG720005	3199032

ICE	
ICE Number	Kysor Number
2521121	1403001
2521123	1403004
2521132	1403015
2521145	1403158
2521152	1403100
2521153	1403101
2521154	1403102
2521156	1403103
2521157	1403104
2521160	1403107
2521161	1403163
2521162	1403108
2521163	1403110
2521164	1403111
2521166	1403112
2521168	1403114
2521170	1403117
2521171	1403119
2521172	1403120
2521180	1403125
2521181	1403126
2521182	1403127
2521185	1403128
2521186	1403129
2521187	1403130
2521189	1403132
2521195	1403136
2521196	1403137
2521197	1403138
2521201	1403140
2521206	1403141
2521209	1411005
2521210	1411006
2521211	1411007
2521212	1411008
2521213	1411009

International

This listing shows parts that are similar in physical interchangeability and function. Cross reference lists should not be used as application guides. Please refer to the proper listing in the applications section for specific make and model recommendations.

ICE	
ICE Number	Kysor Number
2521214	1411010
2521261	1403153
2521280	1403116
2521302	1403159
2521387	1403123
2521388	1403161
2521470	1403166
2521479	1403105
2521496	1406006
2521497	1403162
2521562	1403145
2521563	1403146
2521564	1403150
2521574	1403147
2521641	1403167
2521657	1403169
2521686	1403170
2530105	1407036
2560104	1407035
2560107	1407034
2560129	1407038
2560130	1407037

INTERNATIONAL	
International Number	Kysor Number
221522	2175010
290227	2799221
360783	3275010
400065	1675005
404277	2299018
411271	1075025
651195	2199089
92711600	1099040
93107300	1899032
426827001	2499021
427484009	2099020
427484029	2575002
427485008	3299020
430164001	3299062
431736001	3399084
431736013	1799057
435341004	2599076
437122019	1775017
437122021	4399105
437122022	3199011
437122023	1099095

INTERNATIONAL	
International Number	Kysor Number
437528001	3113007
438659002	1799054
438659006	2799056
438964004	4399040
438964005	4399087
438964011	2799055
438964015	4399092
440626011	1799056
441086001	3299052
441179004	1799058
441179005	3299026
441355001	3899021
441537001	3199090
442129012	1099024
446637001	3199072
447526002	1799049
448253001	3399026
449428011	1799027
450037004	2099016
450037008	1199029
450037011	4399060
450038001	2599025
450038002	2575009
450038003	4399084
450038004	4399142
450096004	1799047
450096021	1075036
452046004	2599059
452046006	2599060
452046010	1075020
1000347886	4499088
1000611575	4499087
1000623977	4399139
108276MR	1799071
1103545C1	1199024
1120544C1	1299013
1432840H91	1099113
1651427C1	2199021
1653480C92	1399013
1655565C1	1199030
1655566C1	1099004
1655568C1	2575003
1655573C1	1299037
1661273C1	2213006
1661420C1	2199005
1664248C1	2313002
1664769C92	2199012
1667340C5	1513007

INTERNATIONAL	
International Number	Kysor Number
1669745C91	1313006
1669786C1	1099014
1676648C1	1099022
1676653C1	1999034
1676654C1	2999019
1676657C1	1011016
1676658C1	2299003
1676659C91	1399027
1676660C91	1312001
1676662C1	2999015
1676663C1	1999203
1676664C1	1999022
1676798C1	2622551
1676800C1	2612192
1676801C1	2612102
1691468C1	1613006
1691469C2	1899045
1691705C91	1017003
1691707C1	1117002
1691710C91	1999226
1691711C1	1899008
1691720C91	1017001
1691721C91	1099007
1691722C91	2399003
1691723C92	1403004
1691725C92	1403015
1691726C91	2399005
1691727C1	1199035
1691728C1	1199007
1691729C91	2312001
1691730C91	2099002
1691732C1	2012006
1691733C91	1099002
1693117C1	1913014
1693969C1	2799116
1693970C1	2799017
1694713C1	1613002
1696831C1	2199069
1696834C1	3199020
1696836C1	2099004
1696843C1	1713003
1696844C1	1613003
1696846C2	1813016
1696846C3	1813018
1696854C1	2599016
1696855C1	2599017
1696859C1	4399135
1699291C1	1013004

This listing shows parts that are similar in physical interchangeability and function. Cross reference lists should not be used as application guides. Please refer to the proper listing in the applications section for specific make and model recommendations.

INTERNATIONAL	
International Number	Kysor Number
1699309C1	2299035
1699310C1	2213009
1699947C1	1113003
1699948C1	4099080
1699949C1	1013005
1699950C1	1613007
1699951C1	1713005
1699955C2	1813007
1699956C1	3113004
175254C1	1999029
2000522C91	2299023
2000655C2	1513008
2004801C4	1513017
2009378C2	1513004
2029994C91	2399017
2205723C1	2499144
2206537C95	3399063
2206538C95	3399064
2209577C91	3899009
2210999C1	1299023
2211903C1	3113008
2211904C1	3113009
2217914C1	1099098
2219715C1	2640796
2228159C1	3399033
2228159C1	3399082
2229059C1	3399035
2230237C91	1299035
2230239C91	1299034
2230256C91	1099121
2238251C1	1713006
244550R91	2199002
2500705C91	2199058
2500706C91	2199057
2500918C1	2013004
2500920C1	4399001
2501235C1	4099082
2501256C1	2299036
2501257C1	2299037
2501794C92	1813019
2502132C1	4399136
2502459C91	1402002
2503207C1	2115003
2503268C1	1099018
2503269C1	1299014
2503270C1	1275005
2503272C1	1299010
2503273C1	1299021

INTERNATIONAL	
International Number	Kysor Number
2503275C1	1099032
2503277C1	1099034
2503278C1	1099050
2503279C1	1099051
2503727C1	2017001
2503742C1	4399149
2503743C91	2599090
2503783C91	1813018
2506417C1	4399140
2506656C1	3113006
2507207C1	1799020
2507210C1	4399147
2507215C1	4399058
2507219C1	2599051
2507220C1	3199066
2507222C1	2599052
2507223C1	2599053
2507231C1	1199006
2507236C1	2799210
2507239C1	4399091
2507241C1	2199092
2507242C1	1099116
2507243C1	2499078
2507247C1	4399145
2507482C92	1513027
2507540C1	1409013
2508698C92	1513029
2509051C1	2099013
2509225C1	1799026
2509228C1	3199073
2509591C1	1799063
2511225C1	2099019
2512331C1	1818006
2512552C91	1799066
2513048C1	1799072
2513547C92	4480076
2513930C91	4480075
2513931C91	4480078
2513933C91	4480090
2513992C91	1099135
2513993C91	3899027
2514386C1	1013015
2515529C1	2599075
2515866C1	1513011
2516874C91	1099316
2585373C2	1513032
2585989C1	1799028
2585992C1	3199074

INTERNATIONAL	
International Number	Kysor Number
2586812C91	1513028
2586986C1	1013007
2586990C91	2499085
2587218C1	2199064
2587219C1	2199065
2587494C1	1799050
2587507C1	2599061
2587816C1	2199055
2588271C1	2599062
2588423C1	2599057
2588424C1	4399026
2589567C1	4399004
2589569C1	4399134
2589571C1	1799013
2591621C91	1513033
2591836C91	1513036
2593329C91	1513035
2593515C1	3199088
2594604C92	1099120
2595282C91	1099130
2595285C2	2017002
2595285C2	2017004
2595889C1	1299029
2598084C1	2640801
2598644C1	1099077
2598648C1	1013009
2598661C1	2499096
2602024C92	4480085
2602545C91	4480017
2602546C91	4099208
2602547C91	4480022
2602570C92	1013011
2602571C92	1613009
2602575C91	1713010
2602712C91	1410077
2604851C91	1513034
2606226C91	1099161
2607881C1	2313003
2607897C91	1099097
2607901C1	1799045
2607910C1	2599068
2607912C1	3199092
2611208C91	2213016
2612564C1	1613012
2612565C1	1713013
2613243C91	1813014
2613243C91	1818007
2614390C1	2213007

International

This listing shows parts that are similar in physical interchangeability and function. Cross reference lists should not be used as application guides. Please refer to the proper listing in the applications section for specific make and model recommendations.

INTERNATIONAL		INTERNATIONAL		INTERNATIONAL	
International Number	Kysor Number	International Number	Kysor Number	International Number	Kysor Number
2614947C91	1099325	3660864C1	2799016	405970C91	3275002
2614948C91	1099306	3661993C93	3399090	411876C1	1075031
301319C91	1999030	3666273C1	1913012	421849C1	1113001
302811C91	1408002	3670132C1	1613011	421850C1	1199026
302812C91	1408001	3670134C1	1913016	434297C1	2113001
306132C1	2799092	3674285C1	1013013	442182C1	2213002
3504377C1	1513001	367972C92	2413006	442183C1	2213001
3523175C1	2213012	3685785C1	4480002	4507329R1	1299007
3524465C1	2113007	3685790C1	4480001	454613C1	1913013
3529060C91	1299024	3685792C1	4480004	465502C1	1113002
3529263C1	3213003	3685793C1	4399068	469455C1	1099003
3534211C1	4099173	3685800C1	2118004	469475C1	1813017
3542575C2	2113005	3685801C1	4099150	472253C1	2113002
3542577C2	1913015	3685805C1	3199084	474024C3	1613001
3542578C2	4399131	3685807C1	4099181	474030C2	1713001
3542604C3	1713007	3688226C3	4480086	474072C4	2413003
3542611C2	1013008	3688227C1	4475047	476029C1	2299013
3543727C1	2799208	3688229C1	4499099	480836C1	3113005
3543728C1	2799105	3688231C1	4480012	480869C1	2213010
3543881C1	2799211	3688233C1	4480029	481800C91	1313008
3543882C1	2799212	3688242C2	1813015	481806C91	1399046
3546241C1	2213013	3688242C2	1813020	481813C1	3113001
3548043C1	2213014	3688244C1	4480021	488831C1	1099011
3548044C1	1813008	369512C92	2413005	488832C1	1099012
3551405C1	1401133	3695239C1	4099170	498116C1	4099025
3551405C1	1410027	3711180C1	3299030	498144C1	3113003
3562102C1	2013005	3722143C94	3399086	498574C2	2413004
3582435C1	1401389	3791189C1	2499146	498581C3	2599018
3582435C1	1410088	3792438C3	1401494	498590C1	1613005
3594934C4	3399003	3808548C1	1401478	501087C3	2113003
3599580C2	1613010	3817773C1	1401497	501099C91	1713004
3599581C2	1013012	3817874C1	1401511	501118C3	1513022
3599589C1	1813014	3839141C1	3199085	506552C1	2013003
3599598C1	1713012	3839142C1	4099147	544976C1	1899065
3599601C1	2313004	3839315C1	2213017	544976C2	2299108
3599602C1	2113015	3839326C1	3199086	581691C1	2313001
3600338C1	2113012	3839330C2	2313005	586908C92	1513019
3600339C1	2113013	3839330C4	2313007	6102498C93	1913017
3611894C92	1401422	3857948C3	1813012	6102500C93	1913011
3611894C92	1412008	3864119C1	3399036	6118795C2	2013007
3612055C3	2113014	3864183C1	3399037	783966C93	1299008
3626414C1	2113011	3941876C91	1899041	944045C1	4399109
3628699C1	1401426	3957534C92	1099317	B265330	1275001
3628699C3	1410025	3986447C1	4480055	IROB14401	2999075
3628700C1	1401407	3986584C1	4480059	ROB17800B	2999107
3628700C2	1410046	3991274C1	3399056	ROB34288	2999108
3628830C92	3899015	4047669C1	4480079	ROB34788	2999109
3660853C2	1813013	4047671C91	4480084		

This listing shows parts that are similar in physical interchangeability and function. Cross reference lists should not be used as application guides. Please refer to the proper listing in the applications section for specific make and model recommendations.

KENWORTH	
Kenworth Number	Kysor Number
5638	1875003
70421	2399010
275102	1099015
404145	2399003
404145	2399006
570140	4399068
591510	3299049
591540	3299048
651261	2115003
870076	2414008
1000283360	4480038
1000313234	4480046
1000390653	4499095
1000058887BSM	4480015
1000463486BSM	1817017
1000534258BSM	1814008
1000570789BSM	4480069
1000579951BSM	4480074
1001330451BSM	3620008
1001330466BSM	3620009
108293BSM	1799023
108294BSM	1714008
151280?	2499003
151338BSM	1699005
151339BSM	1614007
18-04291	1410084
18-04291	1401374
2030-12	1099006
203139BSM	1099092
203142BSM	1099094
20578P	1099002
221503KB	2199008
221504KB	2199003
3S010633	1517017
486684-5008	1514022
502393 OCC	1312001
52980P	1199008
540057BSM	1899044
563500BSM	1199006
58949P	2399003
5X012834	2118004
650163BSM	2399009
650417BSM	2313003
650436BSM	2214004
650459BSM	2599044
650465BSM	2114007
650471BSM	2112005
650475BSM	2017001

KENWORTH	
Kenworth Number	Kysor Number
650697BSM	2214002
652420BSM	2099013
652578BSM	2214003
868521-S	4399143
926384C1	1999030
F31-6063	1917008
F37-1002	1914008
F37-1003	1914005
F37-1022-100	1914010
F37-1022-200	1914011
F37-1023	1914012
F37-6000C	1999228
F37-6002	1914015
F37-6009	1917010
F37-6010	1917009
F37-6011	1917010
F37-6012	1914006
F45-1001	4099005
F45-1002	4099002
F69-6001-114	1401371
F69-6002-133	1410018
F69-6003-112	1401417
F69-6003-114	1401432
F69-6003-141	1401446
F69-6003-141	1412014
F69-6003-222	1401447
F69-6003-233	1401423
F69-6003-233	1412012
K122-125	1514017
K122-128	1514016
K122-143	1514024
K122-93	1514007
K142-537-1	3314001
K251-306	1899008
K251-459	1914001
K251-521	1914013
K251-571	1914014
K251-593-1	1914004
K256-566	1914016
K295-193	2499002
K301-162	2099003
K301-239	2299003
K301-370-1	2214006
K301-69	2299006
K318-103	1401117
K332-29	1399004
K332-40	1399017
K332-59-3	1312002

KENWORTH	
Kenworth Number	Kysor Number
K332-59-4	1380004
K332-62-2	1399005
N4778001	1517018
N4783001	1514025
RO337001	1517021
SR2000018	1099070
W2073001	1899057
W2073001	1814004
Z9206001	1514026
Z9784001	1814003

MACK	
Mack Number	Kysor Number
15536494	2075001
15536497	2799116
15536500	2799015
15536502	2799117
25037148	2499003
25192657	1515019
85126010	1410010
85142450	2499108
85142451	2499124
1MR2404M	2299008
1MR3571	2299035
1MX1280	1399046
1MX242	1313005
1MX41281	1399005
206RD51M	1401397
206RD51M	1410027
206RD53M	1401437
210RD39303	1999007
210RD411M	1515002
210RD412	1515003
210RD413M	1401115
210RD418	1515006
210RD424	1515015
210RD427	1515014
210RD428	1515018
210RD510M	1515016
210RD511M	1515013
210RD514M	1515021
210RD517M	1515019
210RD51M	1410028
210RD54M	1515004
210RD56M	1515005
210RD59M	1515017

Mack

This listing shows parts that are similar in physical interchangeability and function. Cross reference lists should not be used as application guides. Please refer to the proper listing in the applications section for specific make and model recommendations.

MACK		MACK		MACK	
Mack Number	Kysor Number	Mack Number	Kysor Number	Mack Number	Kysor Number
221RD312	1915004	7787-1000119844	1813007	7787-650163	2399009
221RD315	1999022	7787-1000132208	1099080	7787-650656	4399149
221RD32	1999016	7787-1000169770	4099158	7787-650657	2199005
221RD32	1999037	7787-1000183201	4475023	7787-650668	2015003
221RD32	1999226	7787-1000230381	4475001	7787-650882	2115004
221RD327	1915005	7787-1000236731	4420005	7787-650983	2012001
221RD327	1915009	7787-1000258578	BSP00039AC12	7787-651259	2117005
221RD328	1915005	7787-1000258579	BSP00039AC24	7787-651261	2115003
221RD328	1915009	7787-1000259751	3699032	7787-651383	4099091
221RD334	1915010	7787-1000278423	4499043	7787-652100	2114003
221RD335	1915008	7787-1000278426	4499044	7787-652541	4099150
29RD29301	2499005	7787-1000300319	4499107	7787-660827	4099104
2MR2014	2099003	7787-1000303268	2075006	7787-756360C	1299008
3230-224765	1099022	7787-1000303297	2075008	7787-869048	3299043
3543-H9631	1015009	7787-1000304979	1075046	7787-869223	1715008
3543-H9638	3115001	7787-1000310183	1999215	7787-869224	1615011
3543-K0762	1715009	7787-1000347081	2275010	7787-869445	1015007
3543-R0442001	1615012	7787-1000348812	1075049	7787-880011	3899002
3543-T4935001	1815001	7787-1000348813	1075050	7787-890063	1013004
4379-RD2-1480-1	1615003	7787-1000365536	4399010	7787-890071	2199069
4379-RD216550	1615008	7787-1000368105	1099330	7787-890077	2599050
4379-RD310615	1199008	7787-1000386862	4099202	7787-B173090	2499006
4379-RD31069	1199010	7787-1000388483	4499078	7787-B220001	4399008
4379-RD4188	1812004	7787-1000400456	4499079	7787-B221104	2199020
4379-RD473060P	1512027	7787-1000493450	4475066	7787-B221107	2175007
4379-RD5146450P	1401501	7787-1000580166	4475068	7787-B221108	2175008
4379-RD5146450P	1441001	7787-1000611575	4499087	7787-B260231	1175002
4379-RD5146450P	1440002	7787-1000776664	4099207	7787-B265330	1275001
4379-RD536470	2099005	7787-1001016645	4475070	7787-B265600	1275003
4379-RD539330	1199001	7787-1001330147	3620010	7787-B275140	1099024
4379-RD5453124	2399003	7787-1001330451	3620008	7787-B275165	1075009
4379-RD546400	2299033	7787-1001330466	3620009	7787-B360157	3275003
4379-RD546941	2199008	7787-202520	1099032	7787-B360400	3275007
4379-RD551210	1099021	7787-519714	1075044	7787-B360480	1199035
4379-RD552230	3299004	7787-525048	2599070	7787-B380032	2575003
4379-RD552630	1115001	7787-525588	2575024	7787-B400065	1675005
4379-RD554350	1012009	7787-525784	3199030	7787-B400074	1675006
4379-RD555120	1015002	7787-525812	2599049	7787-B401102	1575009
4379-RD556010	1199003	7787-530006	3299037	7787-B404028	2399004
4379-RD566510	1115003	7787-540021	1899005	7787-B404220	2299024
4379-RD575230	1409004	7787-550158	2650006	7787-B513988	4390004
4379-RD575240	1409005	7787-550159	2650007	7797-540047	4399003
4379-RD582030	1099023	7787-564700	2799116	793-25150	1402002
4379-RD584900	2199003	7787-580125	2799117	7979-170145	3275002
4379-RD587852	1099153	7787-591530	4399045	7979-220268	2175002
4379-RD591000	1015006	7787-600187	4099147	7979-220990	2099016
7787-1000086470	4099085	7787-630051	4399140	7979-260570	1199042
7787-1000096864	4099131	7787-650086	2118001	7979-275102	1099015

This listing shows parts that are similar in physical interchangeability and function. Cross reference lists should not be used as application guides. Please refer to the proper listing in the applications section for specific make and model recommendations.

MACK	
Mack Number	Kysor Number
7979-275130	1099087
7979-275152	1099004
7979-360223	3275004
7979-360448	3275008
7979-380076	2575008
7979-400050	1675001
7979-400052	1675002
7979-401024	1575002
7979-402352	1999029
7979-404279	2275003
7979-B404075	2375001
7979-B404274	2275001
7979-B409017	2612593
7979-B409049	2611598
BSM1000041921	4099121
BSM1000042067	4099123
BSM1000042815	4099122
BSM1000257831	BSP00003HVAC24
BSM1000342540	4099203
BSM1000416685	4499077
HV30644	2411005
IMX246	1399004
IMXA1279	1399027
IMXA3217	1399017
R9727	1599119

MODINE	
Modine Number	Kysor Number
1E4011	1511007
1E4582	1517012
1E5496D	1513027
1E5956	1513035
1E6043	1517014
1E6068	1512015
1E6069	1512017
1S12193	1519004
1S1430920000	1513028
1S5940	1513029
1W0114330000	1513008
1W011812	1513011
1W111320000	1513017
1W11306	1518006
1W11398	1513004
1W11568	1513001
1W11669	1513007
1W11672	1513019

MODINE	
Modine Number	Kysor Number
1X0000760000	1117003
1X0001360000	1617011
1X0107080000	3899015
3S011268	1517016
3S011589	1017007
3W2243080000	1717015
3W2243090000	1717012
3W2243150000	1717014
3W2243270000	1717013
3X010018	1617014
3X0101519983	1617015
3X010633	1517017
3X0111710000	1617013
5X000140	1899003
5X0100070000	3117001
5X010029	2417002
5X0100839983	4399007
5X010735	1017005
5X0109160000	2799223
5X0121639983	1017006
5X0126200000	2199066
5X0127700000	2799210
5X0128540000	4399003
5X0132990000	3199088
5X0133010000	2499146
5X0133170000	1617010
5X0134580000	1099130
5x0135420000	2017002
5X0135420000	2017004
5X0137220000	1099120
5X013817000	3117002
5X0139290000	3299053
5X0139300000	3299054
5X0139970000	2417003
5X0140070000	1817005
5X0140560000	2117007
5X0141010000	3117003

MOTORCRAFT	
Motorcraft Number	Kysor Number
YF2159	1999004
YF-2236	1911013
YG346	1899003
YJ339	1511005
YJ-363	1511007
YL-2231	2212001

MOTOR PRODUCTS	
Motor Products Number	Kysor Number
2809-531-019	4099138
PF23058Q	1099015
PF23058QA	1075051
PF23058RA	1075011
PF24088Q	1099087
PF24122R	1099126
PF24128Q	1075009
PF24128R	1075016
PF24171Q	1099034
PF24172Q	1099050
PF24194Q	1075035
PF2473R	1075012
PF26054Q	1099049
PF26055Q	1075033
PF26055R	1075015
PF2638R	1099147
PF2656R	1099019
PF27057Q	1099094
PF28102Q	1099018
PH24011Q	1099002
PH24012Q	1014005
PH24012Q	1014007
PH24030Q	1099092
PH24060Q	1014007
PH26013Q	1099081
PH26022Q	1015006
PH27005Q	1099020
PH27006Q	1099026
PJ24011Q	1019001
PJ24058R	1099113
PJ26098R	1075015
PJ26112Q	1075033
PM27005Q	1099020
PM27006Q	1099026
PM27008Q	1099025
PV21010R	1099150
WW22052R	1075017
WW22071Q	1075031
WW22072Q	1099032
WW22090R	1013006
WW24120Q	1099033
WW24122Q	1099029
WW26060Q	1099051
WW29050Q	1011015

Omega

This listing shows parts that are similar in physical interchangeability and function. Cross reference lists should not be used as application guides. Please refer to the proper listing in the applications section for specific make and model recommendations.

MURRAY	
Murray Number	Kysor Number
204002	2612102
207006	2799015
207006	2799217
207010	2799117
207012	2799118
207068	2299005
207073	2275005
207074	2299006
207419	2199027
207421	2175003
207500	2399019
207513	2399003
207524	2399010
207530	2375001
207583	1812004
207600	1899011
208301	1999029
208302	1999030
208316	1999009
208385	1999203
208902	1099003
208905	1011015
208913	1011016
208995	1099007
209011	1075017
209101	1199008
209576	1408006
274223	1399046
274231	1399017
277814	2411005
277939	2799087
277942	2799084
277943	2799085
277944	2799086
948449	1380004
24-30290	1515003

OGURA	
Ogura Number	Kysor Number
220417	2112001
332334	1399046
332639	1313005
332639	1380003
501076	1399045
501939	1380001
502393	1312001

OGURA	
Ogura Number	Kysor Number
502400	1399027
502409	1399005
502731	1399017
502742	1399004
503887	1313008
508888	1399013
511204	1313006
511489	1399014
515376	1380007
515528	1313002
518521	1312002
520226	1380005
522582	1380002
522583	1380004
522584	1380006
525205	1399008
MAE-6AR	1380001
MA-6A	1380003
MAE-06A	1380002
MAE-MG01	1380006
MAE-MG07	1380004
MA-N03D	1380005
MA-N05	1380007

OMEGA	
Omega Number	Kysor Number
20-04018	1401497
20-04020	1401498
20-04025	1401442
20-04027	1401411
20-04027	1412007
20-04027-AM	1401411
20-04034	1401409
20-04034	1410076
20-04039	1401404
20-04039	1410002
20-04039-AM	1401404
20-04039-AM	1410002
20-04039-S	1410002
20-04040	1401405
20-04040	1410003
20-04040-AM	1401405
20-04040-AM	1410003
20-04040-S	1410003
20-04041	1401406
20-04041	1410019

OMEGA	
Omega Number	Kysor Number
20-04041-AM	1401406
20-04041-AM	1410019
20-04041-S	1410019
20-04042	1401390
20-04042	1401413
20-04042	1410022
20-04042-AM	1401390
20-04042-AM	1410022
20-04042-S	1401413
20-04042-S	1401413
20-04042-S	1410022
20-04051	1401451
20-04074	1401453
20-04075	1401428
20-04076	1401410
20-04077	1401413
20-04078	1401416
20-04079	1401435
20-04080	1401414
20-04081	1401417
20-04082	1401396
20-04082	1410099
20-04083	1401418
20-04083	1410100
20-04084	1401420
20-04084	1410101
20-04087	1401424
20-04087	1410080
20-04088	1401425
20-04088	1410102
20-04089	1401415
20-04090	1401432
20-04091	1401447
20-04117	1401444
20-04117	1412011
20-04120	1401443
20-04269	1401454
20-04269-AM	1401454
20-04271	1401455
20-04272	1401456
20-04301	1401457
20-04301-AM	1401457
20-04302	1401458
20-04302-AM	1401458
20-04303	1401353
20-04303	1410059
20-04306	1401356
20-04306	1410001

This listing shows parts that are similar in physical interchangeability and function. Cross reference lists should not be used as application guides. Please refer to the proper listing in the applications section for specific make and model recommendations.

OMEGA	
Omega Number	Kysor Number
20-04307	1401421
20-04307	1410074
20-04312	1401459
20-04314	1401460
20-04314-AM	1401460
20-04318	1401403
20-04318	1410060
20-04325	1401504
20-04326	1401437
20-04326	1412009
20-04332	1401401
20-04332	1410086
20-04347	1401422
20-04347	1412008
20-04347-AM	1401422
20-04384	1401446
20-04384	1412014
20-04384-AM	1401446
20-04392	1401423
20-04392	1412012
20-04398	1401417
20-04398	1401445
20-04398-AM	1401445
20-04402	1401463
20-04405	1401465
20-04418	1401389
20-04418	1410088
20-04418-AM	1401389
20-04465	1401461
20-04467	1401402
20-04467	1410097
20-04471	1410005
20-04471	1401121
20-04472	1401359
20-04473	1401360
20-04479	1401469
20-04479-AM	1401469
20-04484	1401342
20-04484	1410004
20-04485	1401346
20-04485	1410007
20-04485-AM	1401346
20-04485-AM	1410007
20-04485-S	1401346
20-04485-S	1410007
20-04488	1401122
20-04488	1410008
20-04489	1401470

OMEGA	
Omega Number	Kysor Number
20-04490	1401400
20-04490	1410009
20-04492	1401127
20-04492	1410092
20-04493	1401362
20-04493	1410010
20-04493-AM	1401362
20-04493-AM	1410010
20-04493-S	1401362
20-04493-S	1410010
20-04494	1401427
20-04494	1410011
20-04494-AM	1410011
20-04602	1410067
20-04603	1401106
20-04603	1410057
20-04608	1401217
20-04608	1410105
20-04609	1401468
20-04609-AM	1401468
20-04616	1401472
20-04618	1401347
20-04618	1410036
20-04618	1401450
20-04618-AM	1401347
20-04618-AM	1401428
20-04618-AM	1410036
20-04618-AM	1401450
20-04653	1401433
20-04653	1410069
20-04659	1401334
20-04659	1401382
20-04659	1410083
20-04660	1401114
20-04660	1401373
20-04660	1410017
20-04660	1410043
20-04667	1401117
20-04667	1401371
20-04667	1401432
20-04667	1410041
20-04672	1401118
20-04672	1412002
20-04675	1401511
20-04678	1401474
20-04687	1401119
20-04687	1410091
20-04694	1401122

OMEGA	
Omega Number	Kysor Number
20-04694	1410008
20-04694	1410029
20-04694	1401383
20-04700	1401344
20-04700	1410020
20-04704	1410012
20-04704	1401365
20-04705-Q	1410042
20-04705-Q	1406006
20-04718	1401355
20-04718	1401364
20-04718	1410056
20-04726	1401508
20-04726-AM	1401508
20-04734	1401120
20-04734	1410006
20-04734-AM	1401120
20-04734-AM	1410006
20-04739	1410084
20-04739	1401374
20-04752	1401125
20-04752	1410018
20-04753	1410044
20-04756	1401126
20-04756	1412003
20-04768	1401471
20-04768-AM	1401471
20-04775	1401386
20-04775-AM	1401386
20-04776	1401399
20-04776	1410023
20-04776-AM	1410023
20-04796	1401519
20-04796	1401440
20-04796	1410093
20-04802-AM	1401438
20-04802-AM	1412010
20-04810	1401354
20-04810	1410082
20-04810	1401377
20-04815	1401426
20-04815-AM	1401426
20-04815-AM	1410025
20-04815-S	1401426
20-04815-S	1410025
20-04816-AM	1401407
20-04816-AM	1410046
20-04816-S	1410046

Omega

This listing shows parts that are similar in physical interchangeability and function. Cross reference lists should not be used as application guides. Please refer to the proper listing in the applications section for specific make and model recommendations.

OMEGA		OMEGA		OMEGA	
Omega Number	Kysor Number	Omega Number	Kysor Number	Omega Number	Kysor Number
20-04818	1401346	20-09973	1401123	20-10089	1401117
20-04818	1410007	20-09973	1410085	20-10089	1410041
20-04819	1401339	20-09976	1401479	20-10093	1401473
20-04819	1410026	20-09977	1410064	20-10097	1401113
20-04820	1401340	20-09978	1401122	20-10097	1410039
20-04820	1410094	20-09978	1410016	20-10097-AM	1401113
20-04821	1401341	20-09978-AM	1410016	20-10097-AM	1410039
20-04821	1412004	20-09980	1401475	20-10151	1401135
20-04821-AM	1401341	20-09982	1401136	20-10151	1410071
20-04821-AM	1412004	20-09992	1401110	20-10152	1401384
20-04822	1401133	20-09992	1412001	20-10152	1410072
20-04822	1410027	20-09993	1401476	20-10180	1401348
20-04823	1412005	20-09994	1401496	20-10183	1410062
20-04823	1401378	20-09994-AM	1401496	20-10183	1401485
20-04848	1401521	20-10017	1401373	20-10185	1401101
20-04848-AM	1401521	20-10017	1410043	20-10185	1410063
20-04872	1399075	20-10017-AM	1401373	20-10186	1410064
20-04883	1401397	20-10017-AM	1410043	20-10186	1401484
20-04883	1410028	20-10018	1410066	20-10186-AM	1410064
20-04883-AM	1401397	20-10048	1401116	20-10186-AM	1401484
20-04883-AM	1410028	20-10048	1401116	20-10187	1401104
20-04890	1401379	20-10050	1401111	20-10190	1401357
20-04890	1410024	20-10050	1410015	20-10190	1410095
20-04890-AM	1401379	20-10053	1401477	20-10192	1410068
20-04893	1401380	20-10057	1401514	20-10194	1410037
20-04893-AM	1410021	20-10057-AM	1401514	20-10194	1401109
20-04897	1412006	20-10062	1401391	20-10201	1403004
20-05077	1401392	20-10068	1401115	20-10206	1403001
20-06676	1401333	20-10068	1410016	20-10235	1403101
20-06697	1401488	20-10069	1401330	20-10235	1403110
20-06697-AM	1401488	20-10069	1410038	20-10236	1403105
20-07304	1401495	20-10071	1401108	20-10236-AM	1403105
20-07804	1401361	20-10071	1410014	20-10242	1403158
20-07804	1410058	20-10071-AM	1401108	20-10242-HP	1403158
20-08045	1401490	20-10071-AM	1410014	20-10244	1403162
20-08045-AM	1401490	20-10072	1401516	20-10246	1403100
20-08144	1401491	20-10072-AM	1401516	20-10257	1403108
20-08144-AM	1401491	20-10077	1401107	20-10258	1403120
20-08152	1401492	20-10077	1410013	20-10258-AM	1403120
20-08243	1401493	20-10080	1410040	20-10260	1403119
20-09965	1410035	20-10080	1410070	20-10266	1403137
20-09965	1401367	20-10080	1401331	20-10266-AM	1403137
20-09966	1401366	20-10080-AM	1410040	20-10268	1403138
20-09966	1410034	20-10080-AM	1410070	20-10268-AM	1403138
20-09970	1401128	20-10080-AM	1401331	20-10275	1403123
20-09970	1410087	20-10081	1401140	20-10279	1411005
20-09971	1401480	20-10081	1410065	20-10280	1411006
20-09972	1401138	20-10085	1401332	20-10281	1411007

This listing shows parts that are similar in physical interchangeability and function. Cross reference lists should not be used as application guides. Please refer to the proper listing in the applications section for specific make and model recommendations.

OMEGA	
Omega Number	Kysor Number
20-10282	1411008
20-10283	1411009
20-10284	1411010
20-10295	1403112
20-10298	1403015
20-10330	1402002
20-10330-AM	1411002
20-10331-AM	1411001
20-10334-AM	1411004
20-10335	1411003
20-10359	1410042
20-10359	1406006
20-10658-S	1401466
20-10658-S-AM	1401466
20-10694-S	1401502
20-10861	1404028
20-11288	1403168
20-14052	1401436
20-14052	1410077
20-14066	1401452
20-14093	1401499
20-14401	1401462
20-14404	1401464
20-14419	1401200
20-14420	1401201
20-14420	1410031
20-14420	1401448
20-14420	1401408
20-14420	1410075
20-14420-AM	1401448
20-14434	1401225
20-14434	1410032
20-14435	1401226
20-14435	1410033
20-14604	1410061
20-14604	1401467
20-14604-AM	1401467
20-14779	1410029
20-14779	1401383
20-14779	1401375
20-14860	1401202
20-14860	1410047
20-14862	1401204
20-14862	1410048
20-14864	1401206
20-14864	1410049
20-14866	1401208
20-14866	1410050

OMEGA	
Omega Number	Kysor Number
20-14868	1401210
20-14868	1410051
20-14870	1410052
20-14870	1401212
20-14872	1401214
20-14874	1410054
20-14877	1401219
20-14877	1410104
20-14881	1410055
20-15000	1401429
20-15000	1410073
20-16321	1401483
20-18086	1401512
20-18112	1401523
20-21000-AM	1411014
20-21002-AM	1411013
20-21006-AM	1411015
20-21009-AM	1411016
20-22496-AM	1401501
20-22529	1440003
20-22530	1440001
20-42080	1403153
20-42083	1403161
20-44120	1403159
20-44120-HP	1403159
20-45017	1403102
20-45019	1403103
20-45021	1403104
20-45021-HP	1403104
20-45036	1403107
20-45043	1403163
20-45057	1403111
20-45075	1403114
20-45082	1403116
20-45088	1403117
20-46011	1403125
20-46015	1403126
20-46015	1403132
20-46017	1403127
20-46021	1403128
20-46021-HP	1403128
20-46030	1403129
20-46043	1403130
20-46120	1403136
20-46222	1403140
20-46222-AM	1403140
20-46234	1403141
20-46234-AM	1403141

OMEGA	
Omega Number	Kysor Number
20-46282	1403167
20-46560-HP	1411011
20-46570-HP	1411012
20-47240	1403150
20-47240-AM	1403150
20-47244	1403145
20-47245	1403169
20-47245-HP	1403169
20-47246	1403146
21-10134	1407036
21-10137	1407037
21-10139	1407035
21-10207	1401325
21-10207-AM	1401325
21-10208	1401326
21-10208-AM	1401326
21-10209	1401327
21-10210	1401328
21-10211	1401329
21-24654	2799110
21-24657-G	2799200
21-24804	2799201
21-26051	2799031
21-34602	1407010
22-04615	1399088
22-04647	1399041
22-04695	1399068
22-10135	1399041
22-10201	1399014
22-10216	1380009
22-10216-AM	1380009
22-10217	1380011
22-10217-AM	1380011
22-10218	1380008
22-10218-AM	1380008
22-10219	1380010
22-10219-AM	1380010
22-10220	1380012
22-10220-AM	1380012
22-10221	1380013
22-10221-AM	1380013
22-10528	1399013
22-10539	1399027
22-11001	1399004
22-11001	1399046
22-11002	1313005
22-11002	1313006
22-11002	1380003

Omega

This listing shows parts that are similar in physical interchangeability and function. Cross reference lists should not be used as application guides. Please refer to the proper listing in the applications section for specific make and model recommendations.

OMEGA		OMEGA		OMEGA	
Omega Number	Kysor Number	Omega Number	Kysor Number	Omega Number	Kysor Number
22-11002-AM	1313006	24-30525	1512005	24-50054	1599120
22-11002-AM	1380003	24-30526	1512011	24-50059-AM	1599121
22-11006	1380007	24-30527	1513027	24-50064	1599122
22-11006-AM	1380007	24-30528	1515006	24-50069	1599123
22-11012	1399045	24-30530	1515013	24-50097	1513007
22-11023	1380001	24-30533	1518011	24-50098	1518012
22-11023-AM	1380001	24-30535	1512003	24-50107	1599124
22-11096	1313008	24-30536	1513028	24-50108	1599125
22-11096	1399005	24-31131	1518006	24-50109	1599126
22-11114	1380005	24-31207	1513029	24-50110	1599127
22-11114-AM	1380005	24-33137	1510020	24-50112	1599128
22-11143	1312001	24-33646	1515004	24-50205	1599129
22-11144	1399017	24-33647	1513004	24-50279	1514022
22-11230	1399041	24-33648	1512010	24-50286	1517011
22-11289	1380006	24-33649	1511023	24-50287	1517017
22-11289-AM	1380006	24-33650	1512027	24-50288	1518008
22-11295	1380002	24-33651	1512025	24-50288	1518008
22-11295-AM	1380002	24-33651	1512032	24-50318	1512015
22-11304	1380004	24-33653	1511020	24-50473	1512002
22-11304-AM	1380004	24-33654	1514025	24-50496	1515015
22-20209	1313002	24-33655	1517019	24-50521	1513033
22-22496	1440002	24-33656	1517021	24-50521	1513036
22-22496-AM	1441001	24-33657	1517018	24-50525	1512031
22-22529-AM	1441002	24-33658	1512028	24-50526	1515019
22-22530-AM	1441003	24-33659	1512029	24-50527	1513027
24-10559	1599105	24-33677	1599130	24-50529	1515018
24-14678	1517012	24-33680	1512017	24-50530	1515013
24-14679	1517014	24-33682	1519004	24-50531	1515017
24-20003	1599106	24-33683	1514024	24-50532	1513008
24-20050	1599107	24-33685	1511018	24-51200	1515022
24-20056	1599108	24-33686	1515014	24-51200	1518010
24-30204	1518009	24-33687	1512030	24-51202	1517020
24-30228	1599109	24-33688	1514016	24-51203	1515021
24-30230	1599110	24-33694	1511019	24-51204	1519005
24-30251	1599111	24-33696	1514026	24-51205	1519003
24-30278	1512001	24-33699	1513034	24-51206	1515016
24-30281	1515005	24-33700	1511007	24-51207	1513035
24-30283	1511005	24-50001	1599112	24-51210	1517015
24-30286	1517011	24-50002	1599113	24-51211	1513032
24-30292	1513011	24-50003	1599114	24-51219	1517008
24-30293	1513017	24-50005	1599115	24-54028	1514017
24-30294	1513022	24-50006	1599116	25-10030	1299002
24-30295	1599011	24-50008	1599101	25-14898	1099153
24-30296	1512004	24-50010	1599117	26-10007	1018002
24-30474	1513001	24-50021	1599118	26-10007	1099063
24-30503	1514007	24-50036-AM	1599119	26-10010	1012016
24-30505	1515002	24-50037	1599015	26-10017	1015009
24-30524	1510018	24-50044	1599014	26-12445	2013005
				26-13001	1013015

This listing shows parts that are similar in physical interchangeability and function. Cross reference lists should not be used as application guides. Please refer to the proper listing in the applications section for specific make and model recommendations.

OMEGA	
Omega Number	Kysor Number
26-13001	1099014
26-13040	1013015
26-13040	1099003
26-13056	1099002
26-13056	1099049
26-13065	1011016
26-13092	1011003
26-13115	1014002
26-13115	1099006
26-13115	1099087
26-13118	1075036
26-13118	1099004
26-13190	1099007
26-13251	1099040
26-13251	1099054
26-13251	1099055
26-13260	1099012
26-13260	1099024
26-13265	1011015
26-13277	1099015
26-13290	1018006
26-13290-AM	1018006
26-13306	1099013
26-13350	1017001
26-13351	1099047
26-13352	1075009
26-13355	1012006
26-13475	1017005
26-13475	1017006
26-13481	1075031
26-13481	1099032
26-13481	1099059
26-13485	1099090
26-13927	1013012
26-13933	1075012
26-13974	1099070
26-14500-D	1099048
26-14508	1099021
26-14532	1013006
26-14532	1075006
26-14535	1075013
26-14535	1075034
26-14556	1099024
26-14557	1099011
26-14564	1075017
26-14567	1011014
26-14574	1099022
26-14583	1017004

OMEGA	
Omega Number	Kysor Number
26-14606	1013008
26-14609	1099159
26-14635	1013013
26-14636	1099160
26-14637	1099051
26-14638	1099034
26-14642	1099033
26-19948	1013011
26-19970	1099064
26-19983	1099097
26-19984	1099101
26-19989	1099161
26-19998	1012010
26-R0612	1099092
26-R4322	1017003
26-R4322	1099018
26-R4322	1099026
27-16570	1612002
27-19516	1617013
27-19516	1617014
27-19517	1614004
27-19521	1613006
27-33730	1618002
27-33853	1618011
27-33862-AM	1615012
27-33868	1612012
27-33870	1613010
27-33871-AM	1613011
27-33888	1612011
27-33889	1612018
27-33889-AM	1612012
27-33889-AM	1612018
27-33929	1613007
27-33936	1617015
27-33945	1613003
27-34037	1618012
27-34049	1617011
27-50013	1712012
27-50018	1612006
27-52660	1713012
27-52662	1712008
27-52663	1712007
27-52665	1713007
27-52666	1715009
27-52669	1718009
27-56948	1717012
27-59007	1713001
27-R6180	1615003

OMEGA	
Omega Number	Kysor Number
27-R7510	1615008
28-01716	1199035
28-71704-M	2799039
29-11005	2114004
29-11815	2112001
29-12908	2199002
29-12908-24	2175002
29-12918	2114002
29-21901	2118003
29-21901	2199005
29-21902	2114001
29-21905	2199025
29-21905	2199027
29-21914	2175003
29-21915	2199008
29-21916	2175004
29-30002	2299005
29-30033	2299022
29-30066	2210001
29-30135	2213007
29-30140	2299020
29-30143	2212005
29-30162	2113002
29-30417	2113012
29-30418	2113013
29-30615	2217002
29-30621	2217004
29-30706	2212001
29-30730	2212002
29-30734	2299003
29-33137	2217001
29-33148	2113001
29-35700	2118001
29-40004	1899020
29-40004	1899038
29-40004-F	1899020
29-40004-F	1899038
29-40006	1812004
29-40006	1899020
29-40006	1899038
29-40007	1899017
29-R0010	2112001
29-R0200	2199006
30-10402	2010010
30-10406	2012001
30-13300	2099013
30-13311	2099002
30-13317	2099003

Omega

This listing shows parts that are similar in physical interchangeability and function. Cross reference lists should not be used as application guides. Please refer to the proper listing in the applications section for specific make and model recommendations.

OMEGA		OMEGA		OMEGA	
Omega Number	Kysor Number	Omega Number	Kysor Number	Omega Number	Kysor Number
30-13319	2099023	31-31020-AM	1812011	31-60103	2113015
30-13319-P	2099009	31-31021-AM	1812007	31-60151	2412005
30-13412	2010009	31-31025	1899053	31-60152	2412010
30-13412	2011001	31-31026-AM	1817004	31-9056-AM	1817001
30-13412	2099002	31-31026-AM	1899044	32-10901	2399019
30-13420	2099012	31-31043	1899055	32-10902	2399004
31-10703	1899008	31-31047-AM	1812006	32-10903	2375001
31-10810-AM	1999005	31-31055-AM	1899056	32-10916	2390001
31-10902-AM	1899047	31-31061-AM	1818009	32-20901	2399001
31-10908	1875003	31-31199	1899052	32-20901	2399003
31-10913-AM	1899062	31-31214	1814007	32-20903	2399011
31-10920	1899026	31-31234	1813013	32-20912	2313002
31-10920-AM	1812017	31-31234	1817005	32-20913	2312001
31-10924-AM	1813002	31-31234	1818006	32-20913	2318002
31-10928-AM	1899065	31-31239	1899051	32-30914	2399018
31-10931-AM	1899063	31-31243	1812014	32-30915	2313001
31-10941-AM	1899049	31-31257	1813014	33-20004	2199031
31-10943-AM	1899066	31-31257	1818007	33-20005	2199032
31-10951-AM	1899045	31-31260	1812012	33-20005	2199044
31-10960-AM	1814001	31-31261	1815001	33-31917	2099004
31-10963	1813001	31-31269	1812008	33-31920	2075001
31-10963	1812018	31-31269-AM	1812008	33-31921	2099006
31-10971-AM	1813017	31-31334	1812013	33-31921	2099016
31-10987-AM	1817018	31-31335	1817010	33-31923	2012006
31-12127-AM	1817011	31-31345	1818008	33-31950	2013003
31-30901-P-AM	1817001	31-31350	1899057	33-31951	2099005
31-30901-P-AM	1899058	31-31350	1814004	33-31952	2017002
31-30901-P-AM	1899005	31-31354	1814003	33-31952	2017004
31-30912-AM	1814006	31-31369	1813012	33-31982	2012005
31-30918	1899031	31-31377	1818008	33-31999	2012007
31-30918-AM	1899041	31-31391	1814008	33-71103	1399084
31-30920-AM	1899040	31-31399	1817008	34-33679	1599131
31-30927-AM	1812016	31-50001	1810003	35-10045-2	1408005
31-30937-AM	1899050	31-50002	1811001	35-10045-2	1408016
31-30939-AM	1899042	31-50003	1899003	35-10045-2Q	1408023
31-30940-AM	1812020	31-50004	1899021	35-10045-3	1408054
31-30954-AM	1813016	31-50005	1899002	35-10045-3Q	1408031
31-30956-AM	1812019	31-50006	1810002	35-10532-2	1408002
31-30957-AM	1899064	31-50008	1813008	35-10854-17	1408047
31-30992-AM	1899043	31-50010	1899015	35-10854-3M	1408020
31-30998-AM	1899048	31-50011	1899014	35-11045-2	1408006
31-31000-AM	1899054	31-50013	1899022	35-11045-2Q	1408022
31-31009-AM	1813018	31-50024	1899013	35-11045-3	1408053
31-31010-AM	1813007	31-60004-AM	2411005	35-11045-3Q	1408030
31-31010-AM	1813019	31-60005	2411003	35-11102	2612102
31-31018-AM	1812010	31-60009	2499045	35-11103	2612103
31-31019	1812005	31-60034	2413003	35-11122	2612192
31-31019-AM	1812005	31-60048	2411004	35-11123	2612193

This listing shows parts that are similar in physical interchangeability and function. Cross reference lists should not be used as application guides. Please refer to the proper listing in the applications section for specific make and model recommendations.

OMEGA	
Omega Number	Kysor Number
35-11532-2	1408001
35-11854-18	1408048
35-11954	1409010
35-11955	1409008
35-12024	1408013
35-12024-3	1408034
35-12024-3	1408051
35-12024-3HF	1408039
35-12025	1408014
35-12025-3	1408035
35-12025-3HF	1408040
35-12031	1408009
35-12031	1408010
35-12031-3	1408024
35-12032-3	1408025
35-12037-3	1408052
35-14581-3	1408049
35-14582-3	1408050
35-16361-S	2899006
35-16362-S	2899003
35-18882-2	1408015
35-50001	2899025
35-50002	2899002
35-50003	2899005
35-50004	2899001
35-B1123	2622193
35-B1201	2621101
35-B1222	2621192
35-B1223	2621193
35-B1301-1	2622401
35-B1302-3	2612502
35-B1303-1	2622403
35-B1303-3	2612503
35-B1304	2612204
35-B1304-3	2612504
35-B1306	2612208
35-B1311	2612251
35-B1311-3	2622551
35-B1312	2612252
35-B1312-3	2612552
35-B1313	2612253
35-B1313-3	2612553
35-B1314	2612254
35-B1321-3	2612591
35-B1322-3	2612592
35-B1323	2612293
35-B1323-3	2612593
35-B1324	2612294

OMEGA	
Omega Number	Kysor Number
35-B1324-3	2612594
35-B1326	2612297
35-B1401	2611201
35-B1412	2611152
35-B1413	2611153
35-B1421	2611191
35-B1423	2611193
35-B1427	2611198
35-B1722	2613891
35-B2133-3	1408027
35-B4111	2622651
35-B4303	2621603
35-B4304	2621604
35-B4308	2621606
35-B4311	2621651
35-B4312	2621652
35-B4318	2621656
35-B4322	2621692
35-B4323	2621693
35-B4324	2621694
35-B4328	2621696
35-B6101	2610777
35-B6102-3	2610902
35-B6123	2620793
35-B6202	2610772
35-EZ1302-3	2632502
35-EZ6209	2630020
35-H1909	2499052
35-R1404-STL	2611208
35-S1301	2612201
35-S1302	2612202
35-S1303	2612203
35-S1321	2612291
35-S1322	2612292
35-S1403	2611203
35-S1803	2611303
35-S2142-1	1408017
35-S2142-3	1408036
35-S2143-3	1408037
35-S2144-3	1408038
35-S6102	2610778
35-S6103	2610779
35-S6104	2610780
35-S6104-3	2610904
35-S6602	2614017
35-S6603	2614018
37-00193-AM	1999234
37-00194-AM	1999244

OMEGA	
Omega Number	Kysor Number
37-10802-K	1999029
37-10803-AM	1911009
37-10809-3-AM	1918006
37-10838	1999240
37-10839-AM	1999253
37-10840-AM	1999249
37-10852	1999040
37-10858-AM	1999246
37-10860-1	1999224
37-10862-AM	1999012
37-10862-AM	1914001
37-10863-AM	1915002
37-10863-AM	1999270
37-10864-AM	1999263
37-10865	1999238
37-10866	1999232
37-10868	1999236
37-10870	1999235
37-10871	1999223
37-10871-AM	1999223
37-10872-AM	1999220
37-10872-AM	1999016
37-10873	1999272
37-10880-AM	1999255
37-10882-AM	1999251
37-10886	1999230
37-10934	1917010
37-10935	1917009
37-13239	1999203
37-13309-AM	1999239
37-13402-AM	1999226
37-13445-AM	1912020
37-13457	1919003
37-13457-AM	1919003
37-13459-AM	1975004
37-13464-AM	1999015
37-13469-AM	1975007
37-13472-AM	1999250
37-13473-AM	1999031
37-13477-AM	1975008
37-13478	1999257
37-13478-AM	1999257
37-13486	1917001
37-13501	1999013
37-13511	1915005
37-13511	1999009
37-13511	1999022
37-13511	1999034

Omega

This listing shows parts that are similar in physical interchangeability and function. Cross reference lists should not be used as application guides. Please refer to the proper listing in the applications section for specific make and model recommendations.

OMEGA		OMEGA		OMEGA	
Omega Number	Kysor Number	Omega Number	Kysor Number	Omega Number	Kysor Number
37-13511-AM	1915005	37-13995-AM	1914006	41-13201	2630014
37-13522	1999011	37-13995-AM	1914008	41-13202	2630015
37-13539	1914005	37-13995-AM	1999228	41-50000	3099047
37-13539-AM	1914014	37-13998-AM	1999269	41-50014	3099042
37-13541-AM	1999252	37-14002-AM	1999261	41-50038	3099065
37-13556-AM	1999037	37-14006-AM	1999254	41-90374	2899032
37-13557-AM	1999243	37-14009	1913012	41-90377	2899028
37-13558-AM	1918009	37-14012	1913016	41-90382	2899029
37-13559	1918005	37-14326-AM	1999242	41-90382	2899107
37-13559-AM	1918008	37-14329-AM	1914015	41-91046	2999019
37-13571-AM	1999268	37-18035	1999231	41-91290	3199049
37-13572-AM	1915008	37-19001-AM	1999258	73-R0962	1099023
37-13575	1912014	37-19002-AM	1999247	73-R7101	1199001
37-13575-AM	1912014	37-19003	1999212	98-01100	3112007
37-13575-AM	1912022	37-19003-AM	1999212	98-01101	3113006
37-13576-AM	1912024	37-19011-AM	1999266	98-01103	3114001
37-13579	1999030	37-19797	1913015	98-01104	3119001
37-13579-AM	1999030	37-19837	1915005	98-01105	3118002
37-13587-AM	1999264	37-19837	1915009	98-01107	3118003
37-13595-AM	1914013	37-19885	1914010	98-01109	3117001
37-13596-AM	1912023	37-19888	1912029	98-10001	3113003
37-13597	1914004	37-19890	1913017	98-10002	3113001
37-13603-AM	1915010	37-19891	1999267	98-10006	3199072
37-13607-AM	1915004	37-19894	1913011	98-10007	3112010
37-13611-AM	1912021	37-19895	1912028	B351744	4399066
37-13646-AM	1999229	37-21726	1999014	E95-4081	2113003
37-13649-AM	1999248	37-23279	1910002	K-1099019	1099019
37-13650-AM	1999221	37-23408	1999004	K-1618005	1618005
37-13651	1999241	37-23438	1911013	K-1712004	1712004
37-13676-AM	1999227	37-23505	1999225	K-1712011	1712011
37-13710	1999262	37-23539-AM	1917008	MT0056	2799102
37-13711-AM	1999256	37-40004-AM	1999237	MT0064	2899028
37-13712	1918001	37-40020	1999233	MT0223	2099003
37-13720-AM	1912027	37-R1756	1999009	MT0475	2099003
37-13736	1919001	37-R1756	1999034	MT0532	2099003
37-13739-AM	1999265	40-02503-B25	2799116	MT0672	2010007
37-13740-AM	1919002	40-02534-G25	2799030	MT0739	2175002
37-13749-AM	1999260	40-10241	1409002	MT1253	2199027
37-13756-AM	1999245	40-10249	1409018	MT1363	2013004
37-13933-AM	1913013	40-10250	2799101	MT18500	2117006
37-13954-AM	1913014	40-10257	1409003	MT18501	2113005
37-13987-AM	1999259	40-10257	1409014	MT18504	2115003
37-13988-AM	1914016	40-10263	1409004	MT1907	2212005
37-13989	1918004	40-10264	1409005	MT1924	2113003
37-13991-AM	1912026	40-42915	1999200		
37-13994-AM	1912025	40-42915	1999202		
37-13995	1914006	40-52723	2630006		
37-13995	1914008	41-12139	2630016		

This listing shows parts that are similar in physical interchangeability and function. Cross reference lists should not be used as application guides. Please refer to the proper listing in the applications section for specific make and model recommendations.

OSHKOSH	
Oshkosh Number	Kysor Number
1394420	1999009
1639460	2799055
1969290	3275002
2081590	2275003
2081600	2299018
2157950	1599005
2158020	3299008
2203050	2799046
2275730	3299016
2656617	2799087
3341988	1403120
3418328	1075025
3796709	3299004
3874054	1914005
3997867	2299106
90005143	2799084
17BH1	1099080
1KA9	1875003
2AD223	1075012
2AL241	2799218
2AL242	2799217
2AL247	2299005
2AL266	4399076
2AL267	1275003
2AL396	3275007
2AL410	4375002
2AL414	1199009
2AL415	4399060
2AL419	2799039
2AL713	1099019
2AL714	1199028
2AL722	2199083
2AL732	2075001
2AL738	1817001
2BV317	1199035
2BV318	1099004
2BV58	1407030
2CC446	2575003
2CC447	2199005
2CC451	2599025
2CC455	4399144
2CC462	3275004
2CC498	4475015
2CC499	2399026
2CC503	1099147
2CF955	2175004
2CP363	3299004
2CP777	2099016

OSHKOSH	
Oshkosh Number	Kysor Number
2CS677	1299019
2CS679	2099023
2EH269	4399087
2EK268	2575009
2EK276	2599046
2EK280	4399040
2ET361	1099024
2ET363	1175002
2FF883	4399025
2HD267	4399057
2HD268	4399062
2HD273	4399066
2HD90	2199081
2HE9	2175008
2HK452	4399101
2HP932	4399084
2HP937	4399091
2HS38	2599076
2HS40	1075023
2HS870	2575008
2HS871	2599065
2HS872	2199085
2HS876	3275010
2HS877	3299033
2MB125	1775008
2MB130	2399001
2MB166	2799085
3MB402	1199029
545SH40	4399105
545SH57	1099087
545SH58	2575018
5HA907	3299023
5HR434	1075035
630KH191	2399010
630KH207	1775003
6HA344	1014005
6HA709	2599034
6HA715	2599051
6HA719	2199026
6HA744	2399009
6HA745	2115003
6HA746	2099013
6HA757	1099161
6HA763	2118004
6HS1	2175010
6HS2	1299020
9HS162	1075033
9HS163	1075015

OSHKOSH	
Oshkosh Number	Kysor Number
B400189	1699006

PARKER	
Parker Number	Kysor Number
134128	2199093
204377	4499109
031131-02	1814001
031131-59	1812018
031134-01	1817018
031134-03	1899047
031134-114	1875003
031134-116	1899066
031134-118	1899065
031134-120	1813017
031134-129	1899045
031134-137	1899063
031134-138	1875003
031134-138	1899062
031134-156	1899049
031134-207	1813002
031134-25	1817011
031134-309	1812017
040138-123	1899058
040138-129M	1812019
040138-132	1814006
040138-142	1812020
040138-144	1899048
040138-152	1899042
040138-401	1812010
040138-402	1812005
040138-403	1812011
040138-404A	1812007
080660-00	2650001
085108-00	2299005
085189-00	1975003
085274-00	1975004
085737-00	1999243
085743-00	1999254
088011-00	1999030
088037-00	1999037
088056-02	1999012
088115-00	1999226
088116-00	1918001
088175-00	1919001
088209-03	1999257
088248-02	1999203

Peterbilt

This listing shows parts that are similar in physical interchangeability and function. Cross reference lists should not be used as application guides. Please refer to the proper listing in the applications section for specific make and model recommendations.

PARKER	
Parker Number	Kysor Number
088250-01	1917001
088271-00	1915002
088273-00	1999040
088276-00	1999268
088285-01	1919002
088341-00	1914004
088343-01	1919003
088357-00	1999233
088360-00	1999009
088397-00	1912014
088411-00	1999229
088415-00	1999213
088423-01	1999016
088436-01	1999261
088485-00	1918005
088489-00	1999032
088491-00	1918004
088498-00	1914008
088599-01	1999234
089248-00	1999004
249099-10	1999029
329-403	1812016
329-404	1899046
329-413	1818009
329-443	1899040
329-447	1814006
329-468, 040138-133	1899064
329-491	1814007
329-495	1899058
329-497C	1817001
329-499	1812019
829-093	1812011
829-099	1812005
829-101	1812007
929-490	1899043
929-493	1899041
929-496	1899050
929-503B	1813007
929-503B	1813019
929-505A	1899044
929-506A	1813016
929-507B	1813018
B71093A-73184	1899038
B71208-A73186	1899017
PH336450	2712004
PH556450	2712005
PH668450	2712006
PH720450	2712007

PARKER	
Parker Number	Kysor Number
V404P-6-6	2499044
V405P-6-6	2411001
V405P-6-8	2499043
V409-10-8	2499042
V409F-8-8	2499041
VSSV404P-10-8	2413005
VSSV404P-12-8	2413006
WAH164	1999238
WAH164FO	1999272
WAH304	1999232
WSG164FO	1999236
WSG-164MOI	1999223
WSG-304MOI	1999224

PETERBILT	
Peterbilt Number	Kysor Number
525838	3199021
1000283360	4480038
1000283361	4480039
1000313234	4480046
1000390653	4499095
1000058887BSM	4480015
1000463486BSM	1817017
1000534258BSM	1814008
1000570789BSM	4480069
1000579951BSM	4480074
1001330451BSM	3620008
1001330466BSM	3620009
108322BSM	1717011
151385BSM	1617009
18-01214	1399027
18-01800	1999203
18-01843	1399017
18-01866	1399004
18-02345	1999037
18-02346	1999012
18-03285	2299010
18-03537	1299026
18-03543	1517008
18-03619	1917001
18-03722	1517015
18-03788	1401110
18-03788	1412001
18-03834	2217002
18-03835	2217001
18-03837	1999225

PETERBILT	
Peterbilt Number	Kysor Number
18-04015	1517011
18-04081	1401114
18-04088	1410070
18-04171	1917008
18-04178	1410042
18-04178	1406006
18-04291	1410084
18-04291	1401374
18-04345	3117001
18-04373	1401342
18-05050	2214002
1E4582	1517012
3S010633	1517017
3S011172	1617014
3S011458	1717015
3S011516	1817010
3S011589	1017007
3X010151	1617015
3X011018	1717012
3X011171	1617013
4379-6000	1401424
4379-6000	1410080
540057BSM	1899044
5S013317	1617010
5S013817	3117002
5S013997	2417003
5S014010	3117003
5X010061	1899002
5X010083	4399007
5X0121639983	1017006
5X012834	2118004
5Z014007	1817005
650459BSM	2599044
B20011S	1717014
C20011S	1717013
CCH33P1	2117004
F31-6043	1517014
F31-6064	1517020
F31-6097	1517016
F37-6000C	1999228
F37-6002	1914015
F37-6010	1917009
F37-6011, F37-6009	1917010
F37-6012	1914006
F45-1001	4099005
F45-1002	4099002
F69-6001-112	1401445
F69-6001-121	1410003

This listing shows parts that are similar in physical interchangeability and function. Cross reference lists should not be used as application guides. Please refer to the proper listing in the applications section for specific make and model recommendations.

PETERBILT	
Peterbilt Number	Kysor Number
F69-6001-122	1410002
F69-6001-233	1410004
F69-6001-253	1410016
F69-6003-111	1401413
F69-6003-112	1401417
F69-6003-114	1401432
F69-6003-121	1401414
F69-6003-122	1401435
F69-6003-141	1401446
F69-6003-141	1412014
F69-6003-151	1401416
F69-6003-222	1401447
F69-6003-231	1401415
F90-6000	1817003
F90-6000	1817015
F90-6001	1817004
F90-6001	1817016
N4778001	1517018
N4783001	1514025
P27-6142	2217004
P93CAA0200-01S	2199066
P93CAA0300-01S	1017004
P93CAA0301-01S	1017005
P93CAA3100-01S	2017002
P93CAA3100-01S	2017004
P93CAB0200-01S	2117006
P93CAB0201-01S	2417002
P93CAB0400-01S	1117003
P93CAB2500	1810003
P93CAB2500-01S	1899003
P93CAC1501-02S	1617011
P93CAC3900-02S	1817011
R0337001	1517021
R0440001	1517019
W2073001	1899057

PITTS	
Pitts Number	Kysor Number
7931	1399005
10582	1399017
10586	1312001
10761	1399027
11153	1399004
11650	1399028
14190	1313008
14190	1399005

PITTS	
Pitts Number	Kysor Number
14193	1399004
14216	1313006
14262	1399005
14304	1312002
14432	1399008
14191-3	1399013
14196-3	1313002
3210-061	1407020

QUE	
Que Number	Kysor Number
QP08-1261	1403153
QP08-1388	1403161
QP13-1145	1403158
QP13-1302	1403159
QP13-1497	1403162
QP15-1145	1403102
QP15-1152	1403100
QP15-1153	1403101
QP15-1156	1403103
QP15-1157	1403104
QP15-1160	1403107
QP15-1161	1403163
QP15-1162	1403108
QP15-1163	1403110
QP15-1166	1403112
QP15-1168	1403114
QP15-1170	1403117
QP15-1171	1403119
QP15-1172	1403120
QP15-1280	1403116
QP15-1387	1403123
QP15-1479	1403105
QP16-1180	1403125
QP16-1181	1403126
QP16-1182	1403127
QP16-1185	1403128
QP16-1186	1403129
QP16-1189	1403132
QP16-1195	1403136
QP16-1196	1403137
QP16-1197	1403138
QP16-1201	1403140
QP16-1206	1403141
QP16-1641	1403167
QP21-1562	1403145

QUE	
Que Number	Kysor Number
QP21-1563	1403146
QP21-1564	1403150
QP21-1565	1403147
QP21-1657	1403169
QP31-1209	1411005
QP31-1210	1411006
QP31-1211	1411007
QP31-1212	1411008
QP31-1213	1411009
QP31-1214	1411010
QP4027	1401411
QP4027	1412007
QP4326	1401437
QP4326	1412009
QP4347	1401422
QP4347	1412008
QP4384	1401446
QP4384	1412014
QP4392	1401423
QP4392	1412012
QP4429	1412004
QP4475	1401126
QP4475	1412003
QP4645	1401110
QP4645	1412001
QP4672	1401118
QP4672	1412002
QP4802S	1401438
QP4802S	1412010
QP4823	1412005
QP4823	1401378
QP4897	1412006
QP7H15-4420	1401201
QP7H15-4420	1410031
QP7H15-4424	1410002
QP7H15-4425	1410003
QP7H15-4430	1401339
QP7H15-4493	1410010
QP7H15-4626	1401107
QP7H15-4626	1410013
QP7H15-4696	1410019
QP7H15-4700	1401344
QP7H15-4700	1410020
QP7H15-4713	1410070
QP7H15-4717	1410021
QP7H15-4759	1410022
QP7H15-4815	1410025
QP7H15-4816	1410046

Red Dot Aftermarket

This listing shows parts that are similar in physical interchangeability and function. Cross reference lists should not be used as application guides. Please refer to the proper listing in the applications section for specific make and model recommendations.

QUE	
Que Number	Kysor Number
QP7H15-4821	1401341
QP7H15-4896	1410029

RED DOT AFTERMARKET	
Red Dot Aftermarket Number	Kysor Number
70R0298	2612192
70R2011S	2610779
70R2012S	2610780
70R2016	2610777
70R2016S	2610777
70R2018S	2610778
70R2071S	2610903
70R2072S	2610904
70R2076S	2610901
70R2078S	2610902
70R2091	2620793
70R2098	2620793
70R2401S	2610773
70R2406S	2610771
70R2408S	2610772
70R4001S	2622707
70R4002S	2614022
70R4006	2611205
70R4006S	2622705
70R4008S	2622706
70R4106	2621101
70R4191	2621193
70R4198	2621192
70R4201	2612103
70R4206	2612101
70R4208	2612102
70R4291	2612193
70R4291	2622193
70R4292	2612194
70R4296	2612191
70R4301S	2611203
70R4302S	2611204
70R4306S	2611201
70R4308S	2611202
70R4341S	2611153
70R4342S	2611154
70R4346	2611151
70R4348S	2611152
70R4391S	2611193
70R4392S	2611194

RED DOT AFTERMARKET	
Red Dot Aftermarket Number	Kysor Number
70R4396S	2611191
70R4398S	2611192
70R4401S	2612203
70R4402S	2612204
70R4406S	2612201
70R4408S	2612202
70R4416S	2622401
70R4441S	2612253
70R4442	2612254
70R4446S	2612251
70R4448S	2612252
70R4491S	2612293
70R4492S	2612294
70R4496S	2612291
70R4498S	2612292
70R4501S	2611303
70R4502S	2611304
70R4506S	2611301
70R4506S	2611351
70R4508S	2611302
70R4508S	2611352
70R4541S	2611353
70R4591S	2611393
70R4596S	2611391
70R4598S	2611392
70R4601S	2612209
70R4602	2612211
70R4606	2612207
70R4608S	2612208
70R4641S	2612256
70R4646S	2612257
70R4691S	2612298
70R4696S	2612296
70R4698S	2612297
70R4701S	2611208
70R4791	2611198
70R4791S	2611198
70R4796S	2611196
70R4798	2611206
70R4798	2611207
70R5005	2799201
70R5010	2799200
70R5020	2799202
70R5022	2712001
70R5024	2712002
70R5026	2712003
70R5031	2712004

RED DOT AFTERMARKET	
Red Dot Aftermarket Number	Kysor Number
70R5032	2712005
70R5033	2712006
70R5034	2712007
70R5042	2799023
70R5046	2799020
70R5051	2799017
70R5051	2799117
70R5052	2799018
70R5052	2799118
70R5056	2799015
70R5056	2799115
70R5056	2799217
70R5057	2799013
70R5058	2799016
70R5091S	2612519
70R5100	2899016
70R5110	2899028
70R5115	2899029
70R5120	2899032
70R5125	2899033
70R5550	2799076
70R5706	2799066
70R5770	2799054
70R6441	2612553
70R6446S	2612551
70R6491S	2612593
70R6492S	2612594
70R6496S	2612591
70R6501	2799050
70R6501	2799051
70R6506	2799046
70R6506	2799047
70R6508	2799048
70R6508	2799049
70R6598S	2612592
70R7001S	2612503
70R7002S	2612504
70R7006	2610003
70R7006S	2612501
70R7008S	2612502
70R7100	2499050
70R7100	2640701
70R7110	2499053
70R7110	2640703
70R7150	2640792
70R7200	2499052
70R7200	2640702

This listing shows parts that are similar in physical interchangeability and function. Cross reference lists should not be used as application guides. Please refer to the proper listing in the applications section for specific make and model recommendations.

RED DOT AFTERMARKET	
Red Dot Aftermarket Number	Kysor Number
70R7310	1712008
70R7310	2640772
70R7310	2640774
70R7500	2640705
70R8001	2631293
70R8002	2631294
70R8006	2631291
70R8008	2631292
70R8061	2630909
70R8062	2630910
70R8066	2630911
70R8068	2630908
70R8071	2633893
70R8086	2633891
70R8088	2633892
70R8091	2632593
70R8092	2632594
70R8096	2632591
70R8098	2632592
70R8198	2632596
70R8201	2632503
70R8208	2632502
70R8211	2630703
70R8212	2630704
70R8216	2630701
70R8218	2630702
70R8221	2632493
70R82251	2632213
70R82252	2632214
70R82256	2632211
70R82258	2632212
70R8226	2632501
70R82261	2632098
70R8241	2632103
70R8242	2632104
70R8246	2632101
70R8248	2632102
70R82511	2632258
70R8261	2630903
70R8271	2630906
70R8272	2630907
70R8276	2630901
70R8278	2630902
70R8281	2630707
70R8282	2630722
70R8288	2630721
70R8291	2630793

RED DOT AFTERMARKET	
Red Dot Aftermarket Number	Kysor Number
70R8292	2630794
70R8296	2630791
70R8298	2630792
70R8301	2631203
70R8302	2631204
70R8306	2631201
70R8308	2631202
70R8341	2631256
70R8346	2631251
70R8348	2631252
70R8398	2631592
70R8506	2799015
70R8506	2799115
70R8508	2799016
70R8510	2799017
70R8511	2630021
70R8511	2630024
70R8512	2799018
70R8551	2630020
70R8556	2630017
70R8558	2630019
70R8591	2633898
70R8598	2631597
70R8601	2632203
70R8602	2632204
70R8606	2632201
70R8608	2632202
70R8621	2632506
70R8641	2632253
70R8642	2632254
70R8646	2632251
70R8648	2632252
70R8681	2631507
70R8688	2631502
70R8691	2632293
70R8692	2632294
70R8696	2632291
70R8698	2632292
70R8698	2632300
70R8701	2632208
70R8702	2632219
70R8706	2632206
70R8708	2632207
70R8711	2631207
70R8716	2631206
70R8761	2632597
70R8781	2631298

RED DOT AFTERMARKET	
Red Dot Aftermarket Number	Kysor Number
70R8786	2631296
70R8788	2631297
70R8791	2632298
70R8796	2632296
70R8798	2632297
70R8801	2630007
70R8802	2630008
70R8806	2630005
70R8808	2630006
70R8821	2630011
70R8822	2630012
70R8826	2630009
70R8828	2630010
70R8881	2633803
70R8886	2633801
70R8888	2633802
70R8891	2632566
70R8996	2632559
70R8998	2632560
71R0010	2112001
71R0050	2199009
71R0200	2199006
71R0400	2199007
71R0400	2199104
71R0450	2199008
71R0460	2114001
71R0460	2114002
71R0480	2113001
71R0480	2113003
71R0500	2199022
71R0550	2199023
71R0600	2117001
71R0840	2118002
71R1150	2199025
71R1150	2199027
71R1160	2118003
71R1160	2199005
71R1163	2199024
71R1165	2118003
71R1165	2199005
71R1170	2112013
71R1200	2175003
71R1210	2175002
71R1210	2199002
71R1450	2099005
71R1450	2099006
71R1455	2012006



Red Dot Aftermarket

This listing shows parts that are similar in physical interchangeability and function. Cross reference lists should not be used as application guides. Please refer to the proper listing in the applications section for specific make and model recommendations.

RED DOT AFTERMARKET	
Red Dot Aftermarket Number	Kysor Number
71R1457	2099004
71R1460	2013003
71R1460	2013004
71R1470	2013005
71R1610	2114003
71R1610	2199003
71R1620	2112005
71R1620	2114003
71R1702	2010009
71R1702	2099003
71R1702	2099013
71R1704	2099023
71R1722	2099002
71R2100	2375001
71R2200	2318002
71R2250	2399004
71R2300	2399018
71R2300	2399019
71R2600	2399011
71R2605	2318001
71R2700	2313001
71R2700	2399010
71R2700	2399022
71R2800	2313001
71R3100	2399005
71R3100	2399006
71R3100	2399009
71R3150	2312001
71R3160	2399009
71R3200	2399001
71R3200	2399003
71R3300	2213012
71R3300	2213013
71R3300	2313002
71R3300	2313003
71R3573	2199069
71R3575	2199066
71R3577	2113010
71R3591	2118004
71R4010	2599041
71R4035	2599037
71R4040	2575008
71R4050	2575004
71R4050	2575006
71R4060	2575003
71R4105	2599031
71R4501	2299100

RED DOT AFTERMARKET	
Red Dot Aftermarket Number	Kysor Number
71R6020	2213001
71R6020	2213006
71R6030	2275012
71R6030	2299001
71R6040	2299010
71R6050	2299005
71R6060	2213001
71R6070	2213010
71R6090	2213003
71R6100	2275005
71R6170	2217002
71R6180	2217001
71R6183	2213007
71R6210	2212005
71R6230	2213002
71R6300	2299006
71R6400	2299035
71R6405	2213009
71R6405	2299031
71R6456	2218022
71R7050	2299033
71R7073	2214006
71R7075	2212001
71R7077	2212002
71R7550	2299003
71R7650	2299008
71R8050	1899008
71R8100	1875003
71R8100	1899009
71R8100	1899063
71R8150	1899026
71R8180	1813001
71R8210	1813002
71R8301	1899046
71R8321	1899005
71R8380	1812013
71R8410	1817001
71R8415	1813007
71R8420	1899031
71R8440	1899041
71R8451	1812010
71R8453	1812005
71R8455	1812006
71R8457	1812007
71R8477	1812008
71R8500	1810003
71R8501	1810002

RED DOT AFTERMARKET	
Red Dot Aftermarket Number	Kysor Number
71R8503	1811001
71R8504	1899002
71R8505	1899003
71R8506	1899021
71R8507	1813008
71R8507	4399131
71R8510	1899022
71R8991	4399135
71R9002	1812004
71R9002	1899020
71R9002	1899038
71R9004	1899017
72R0070	3299049
72R0200	2199061
72R0210	2199019
72R0210	2199061
72R1502	1899011
72R2105	3275009
72R2120	3299043
72R2140	3299018
72R2350	3299033
72R2550	3275008
72R2600	3299007
72R3050	3299002
72R3100	3299020
72R3110	3275002
72R3110	3299004
72R3135	3299023
72R5040	2411005
72R5050	2411004
72R5060	2499031
72R5260	2417001
72R5500	2411003
72R5600	2499045
72R5610	2413006
72R6400	2499002
72R6410	2412013
72R6410	2499038
72R6420	2499005
72R6500	2412005
72R6510	2499098
72R6515	2412007
72R6520	2499109
72R8250	2599020
72R8270	2599071
72R8280	2599015
72R9020	2799037

This listing shows parts that are similar in physical interchangeability and function. Cross reference lists should not be used as application guides. Please refer to the proper listing in the applications section for specific make and model recommendations.

RED DOT AFTERMARKET	
Red Dot Aftermarket Number	Kysor Number
73R0012	1099034
73R0022	1075031
73R0022	1099080
73R0022	1099124
73R0042	1017004
73R0054	1075006
73R0082	1099125
73R0142	1099051
73R0212	1075010
73R0232	1014005
73R0232	1099012
73R0232	1099024
73R0322	1012009
73R0332	1099069
73R0402	1099022
73R0404	1075034
73R0412	1015007
73R0422	1099007
73R0442	1018003
73R0454	1075013
73R0462	1015006
73R0502	1099013
73R0514	1075012
73R0522	1014002
73R0532	1099007
73R0552	1099006
73R0552	1099033
73R0612	1099092
73R0642	1075035
73R0642	1099050
73R0652	1099012
73R0652	1099024
73R0702	1099011
73R0912	1014003
73R0912	1015002
73R0962	1099023
73R1002	1019001
73R2102	1013004
73R2102	1013015
73R2102	1099003
73R2102	1099014
73R2142	1011003
73R2152	1011016
73R2212	1011014
73R2222	1014005
73R2232	1099003
73R3002	1099063

RED DOT AFTERMARKET	
Red Dot Aftermarket Number	Kysor Number
73R3022	1099064
73R3032	1018002
73R3042	1099063
73R3062	1012006
73R3082	1013005
73R3102	1015007
73R3112	1013013
73R3122	1012016
73R3142	1017005
73R3142	1017006
73R4062	1075051
73R4062	1099015
73R4062	1099049
73R4162	1099004
73R4182	1099047
73R4252	1099021
73R4322	1011015
73R4322	1017003
73R4322	1099025
73R4422	1099018
73R4504	1075011
73R4532	1099026
73R5562	1012010
73R6051	1199010
73R6101	1199015
73R6230	1115001
73R6230	1199008
73R6251	1199020
73R6253	1113003
73R6270	1117003
73R6370	1199003
73R6381	1115003
73R7000	1199009
73R7101	1199001
73R7130	1199007
73R7130	1199035
73R8080	1275005
73R8080	1299019
73R8080	1299020
73R8110	1275003
73R8230	1299017
73R8592	1099153
73R9054	1299006
73R9062	1299002
73R9064	1299007
73R9092	1299004
73R9202	3475021

RED DOT AFTERMARKET	
Red Dot Aftermarket Number	Kysor Number
73R9204	3475022
74R0460	1999229
74R0462	1999229
74R0470	1999269
74R0480	1999223
74R0490	1999236
74R0606	1999029
74R0906	1999005
74R1106	1999040
74R1406	1918004
74R1407	1918004
74R1756	1999009
74R1756	1999034
74R1806	1999011
74R1826	1999011
74R1856	1915005
74R1866	1915005
74R1956	1999022
74R2001	1914006
74R2106	1999007
74R2406	1999030
74R2537	1999016
74R2546	1999221
74R2556	1999037
74R2556	1999226
74R2556	1999227
74R2586	1999032
74R2590	1999261
74R2616	1917001
74R2676	1919003
74R2687	3199035
74R2688	1918001
74R2706	1999203
74R3060	1919003
74R3064	1918004
74R3077	1915008
74R3107	1918005
74R3120	1912026
74R3136	1919003
74R3137	1919001
74R3306	1999012
74R3327	1912024
74R3330	1912014
74R3331	1912014
74R3346	1915004
74R3357	1914005
74R3377	1919002

Red Dot Aftermarket

This listing shows parts that are similar in physical interchangeability and function. Cross reference lists should not be used as application guides. Please refer to the proper listing in the applications section for specific make and model recommendations.

RED DOT AFTERMARKET	
Red Dot Aftermarket Number	Kysor Number
74R3477	1913014
74R3506	1999250
74R4026	1915002
74R5060	1999225
74R5061	1999225
74R5062	1917008
74R5093	1999004
74R5095	1911013
74R7210	1999202
75R0192	1399041
75R0202	1399041
75R0302	1313008
75R0302	1399005
75R0302	1399013
75R0402	1313002
75R0402	1313008
75R0402	1399005
75R0402	1399013
75R0452	1313005
75R0452	1380003
75R0502	1399008
75R0512	1312002
75R0522	1380004
75R0612	1380005
75R0662	1380007
75R0682	1380006
75R1202	1380001
75R1222	1313006
75R1302	1380002
75R1342	1313002
75R1412	1399014
75R1422	1399014
75R1532	1399068
75R1652	1399017
75R3002	1312001
75R4502	1399004
75R4502	1399046
75R4652	1399027
75R4734	1399045
75R5104	1407029
75R5200	2799095
75R5201	2799097
75R5510	1409018
75R5512	1409017
75R5512	1409018
75R5520	2799031
75R5525	2799025

RED DOT AFTERMARKET	
Red Dot Aftermarket Number	Kysor Number
75R5525	2799026
75R5540	1409001
75R5540	1409009
75R5540	1409014
75R55540	1409003
75R5555	1409013
75R5556	1409016
75R5560	1409004
75R5560	1409005
75R5560	1409011
75R5565	1409006
75R5570	1408038
75R5570	1409005
75R5570	1409012
75R5575	1409007
75R5611	1408005
75R5618	1408006
75R5618	1408024
75R5618	1409002
75R5621	1408054
75R5628	1408002
75R5641	1408035
75R5648	1408034
75R5651	1408001
75R5658	1408053
75R5661	1408009
75R5668	1408010
75R5671	1408037
75R5678	1408036
75R5681	1408025
75R5688	1408024
75R5691	1408023
75R5698	1408022
75R5700	1409008
75R5705	1409010
75R5711	1408014
75R5718	1408013
75R5721	1408027
75R5731	1408031
75R5738	1408030
75R5761	1408052
75R5768	1408051
75R5801	1408050
75R5808	1408049
75R5819	2899005
75R5820	2899002
75R5824	2899004

RED DOT AFTERMARKET	
Red Dot Aftermarket Number	Kysor Number
75R5825	2899006
75R5827	2899003
75R5829	2899001
75R5833	2899027
75R5834	2899015
75R5834	2899026
75R6000	1407008
75R6010	1407009
75R6510	1407010
75R7290	1411002
75R7290	1402002
75R75201	2632095
75R81152	1401353
75R81162	1401354
75R81162	1410082
75R81172	1401355
75R81172	1410056
75R81184	1410061
75R81192	1401106
75R81192	1410057
75R81202	1410067
75R81212	1401341
75R81212	1401359
75R81212	1412004
75R81232	1401339
75R81232	1401360
75R81252	1401361
75R81252	1410058
75R81262	1401120
75R81262	1410006
75R81282	1401399
75R81292	1401407
75R81292	1410046
75R81302	1401346
75R81302	1410007
75R81312	1410059
75R81352	1401127
75R81352	1410092
75R81362	1401362
75R81362	1410010
75R81372	1401427
75R81372	1410011
75R81382	1401357
75R81382	1410095
75R81392	1401355
75R81392	1401364
75R81392	1410056

This listing shows parts that are similar in physical interchangeability and function. Cross reference lists should not be used as application guides. Please refer to the proper listing in the applications section for specific make and model recommendations.

RED DOT AFTERMARKET	
Red Dot Aftermarket Number	Kysor Number
75R81452	1401110
75R81452	1412001
75R81462	1401111
75R81462	1410015
75R81472	1410016
75R81472	1410070
75R81482	1401114
75R81482	1410017
75R81502	1401117
75R81502	1401371
75R81512	1401118
75R81512	1412002
75R81562	1410084
75R81562	1401374
75R81572	1401375
75R81582	1401107
75R81592	1401334
75R81592	1401382
75R81602	1401339
75R81602	1410026
75R81612	1401340
75R81612	1410094
75R81622	1401397
75R81622	1410028
75R81632	1401405
75R81632	1410003
75R81652	1401380
75R81652	1410021
75R81662	1401390
75R81662	1410022
75R81682	1401344
75R81682	1401382
75R81682	1410020
75R81692	1410029
75R81692	1401383
75R81762	1401400
75R81762	1410009
75R82102	1401391
75R82142	1401392
75R82312	1401428
75R8252	1401104
75R8312	1401111
75R8312	1401348
75R8312	1410015
75R83132	1401347
75R83132	1410036
75R83152	1401101

RED DOT AFTERMARKET	
Red Dot Aftermarket Number	Kysor Number
75R83152	1410063
75R8322	1401332
75R8332	1410066
75R8354	1401136
75R8372	1401138
75R8374	1401140
75R8374	1410065
75R8374	1410085
75R8382	1410064
75R8384	1410062
75R8384	1401455
75R84112	1401468
75R84132	1410012
75R84132	1401365
75R84152	1401119
75R84152	1410091
75R84162	1401120
75R84172	1410005
75R84172	1401121
75R84182	1401122
75R84182	1410008
75R84192	1401125
75R84212	1401126
75R84212	1412003
75R8422	1401108
75R8422	1410014
75R84232	1410023
75R8424	1401113
75R8424	1410039
75R84252	1401346
75R84252	1410007
75R84262	1401341
75R84262	1412004
75R84292	1401404
75R84292	1410002
75R84302Q	1410025
75R84312	1401342
75R84312	1410004
75R8432	1401107
75R8432	1410013
75R8432	1410018
75R84352	1410082
75R84352	1401377
75R84372	1401344
75R84382	1401379
75R84382	1410024
75R8442	1401135

RED DOT AFTERMARKET	
Red Dot Aftermarket Number	Kysor Number
75R8442	1410071
75R84432	1401379
75R84432	1410024
75R84452	1412005
75R84452	1401378
75R84471	1410041
75R84472	1401117
75R84472	1401371
75R84482	1401334
75R84482	1410083
75R84492	1401115
75R84492	1410040
75R84492	1401331
75R84512	1410068
75R84522	1410037
75R84522	1401109
75R84532	1410035
75R84532	1401367
75R8454	1401123
75R8454	1410085
75R84552	1401330
75R84552	1410038
75R84572	1401116
75R84582	1401118
75R84582	1401384
75R84582	1412002
75R84582	1410072
75R84594	1401508
75R8462	1401373
75R8462	1410043
75R84622	1401133
75R84622	1410027
75R84632	1401356
75R84632	1410001
75R8464	1401128
75R8464	1410087
75R85032	1403114
75R8510	1407036
75R8512	1403001
75R8515	1407038
75R8515	1407042
75R8520	1407037
75R8522	1403015
75R8527Q	1403167
75R8532	1403015
75R8532	1403112
75R8542	1403105

Red Dot Aftermarket

This listing shows parts that are similar in physical interchangeability and function. Cross reference lists should not be used as application guides. Please refer to the proper listing in the applications section for specific make and model recommendations.

RED DOT AFTERMARKET		RED DOT AFTERMARKET		RED DOT AFTERMARKET	
Red Dot Aftermarket Number	Kysor Number	Red Dot Aftermarket Number	Kysor Number	Red Dot Aftermarket Number	Kysor Number
75R8544Q	1403102	75R89354	1401208	76R6960	1614003
75R8562Q	1403141	75R89354	1410050	76R6960	1614004
75R85734	1403111	75R89372	1401210	76R7070	1699013
75R85932	1403103	75R89372	1410051	76R7510	1615008
75R85932	1403120	75R89374	1410052	76R7515	1612002
75R86092	1403108	75R89374	1401212	77R0095	1513027
75R8612Q	1403100	75R89392	1401214	77R0350	1599119
75R8614	1403101	75R89412	1401217	77R0355	1513028
75R8614	1403110	75R89412	1410105	77R0585	1518010
75R86142Q	1403145	75R89422	1401225	77R0635	1513029
75R86144	1403146	75R89422	1410032	77R0675	1513035
75R86152	1403116	75R89424	1401226	77R0710	1517016
75R861522Q	1403150	75R89424	1410033	77R0715	1513008
75R86172	1403116	75R89432	1410054	77R0720	1513004
75R86172	1403117	75R89462	1401200	77R0950	1599005
75R86202	1403129	75R89474	1401219	77R1150	1575005
75R86202Q	1403129	75R89474	1410104	77R1277	1512025
75R86322Q	1403169	75R89484	1410055	77R1277	1512032
75R8634	1403111	75R89492	1401414	77R1279	1512027
75R8672Q	1411005	75R89502	1401413	77R1300	1599101
75R8682Q	1411009	75R89522	1401435	77R1310	1599015
75R8702	1403136	75R89532	1401416	77R1335	1517014
75R8702	1403137	75R89602	1401415	77R5270	1518006
75R8702Q	1403119	75R89622	1401396	77R6805	1511005
75R8712Q	1403125	75R89622	1410099	77R6807	1511007
75R8742	1401406	75R89632	1401420	77R6950	1517011
75R8752	1410042	75R89632	1410101	77R6955	1514016
75R8752	1406006	75R89652	1401417	77R6957	1514017
75R8772	1401406	75R89662	1401432	77R6978	1512015
75R8772	1410019	75R89682	1401438	77R6982	1517019
75R8782Q	1411007	75R89702	1401444	77R6985	1514022
75R8822Q	1403136	75R89762	1401478	77R6995	1515016
75R89302	1401201	75R89782Q	1403141	77R7000	1513017
75R89302	1410031	75R89852Q	1401460	77R7704	1515004
75R89302	1401448	75R9072	1441003	77R7708	1515002
75R89305	1401325	75R9072	1440001	77R7710	1515003
75R89310	1401326	75R9082	1401501	77R7714	1515006
75R89312	1401202	75R9082	1441001	77R7715	1515018
75R89312	1410047	75R9082	1440002	77R7717	1515018
75R89315	1401327	76R1900	1715002	77R8310	1517021
75R89320	1401328	76R2160	1714005	77R9015	1599100
75R89325	1401329	76R2410	1712011	78R0100	2600013
75R89327	1399084	76R3250	1717008	78R0200	2799084
75R89334	1401204	76R3930	1715007	78R0250	2799085
75R89334	1410048	76R5716	1617015	78R0300	2799086
75R89352	1401206	76R6150	1699002	78R0350	2799087
75R89352	1410049	76R6180	1615003	78R0451	2610002

This listing shows parts that are similar in physical interchangeability and function. Cross reference lists should not be used as application guides. Please refer to the proper listing in the applications section for specific make and model recommendations.

RED DOT AFTERMARKET	
Red Dot Aftermarket Number	Kysor Number
78R0451	2610003
78R0452	2610004
78R0456	2610001
78R0458	2610001
78R0458	2610002
78R5235	3199030
78R5236	3199025
78R5242	3118003
78R5243	3199052
78R5246	3119001
78R5254	3199018
78R5255	3199054
78R5256	3199045
78R5257	3199032
78R5302	3113001
78R5304	3113005
78R5306	3113003
78R5308	3113004
78R5308	3199021
78R5310	3199015
78R5313	3199017
78R5350	3199033
78R5360	3199016
78R5400	3199041
78R5420	3114001
78R5430	3112012
78R5455	3117002
78R5460	3117001
78R8451	2630003
78R8452	2630004
78R8452SP	2600008
78R8456	2630001
78R8458	2630002
78R9461SP	2600007
78R9468SP	2600006
79R1255	2999075
79R1510	2610005
79R1525	2610006
79R1650	2899031
79R3125	2999026
79R3178	2999037
79R3179	2999036
79R4040	2999060
79R4400	2999015
79R4400	4399068
79R4561	3099042
79R4580	3099007

RED DOT AFTERMARKET	
Red Dot Aftermarket Number	Kysor Number
79R4580	3099065
79R4587	3099064
79R4600	2899100
79R4650	3099059
79R4655	3099067
79R4700	3099054
79R8915	2630016
79R8920	2630013
79R8930	2630014
79R8931	2630015
79R8945	2899030
RD-5-9102-0P	1099013
RD-5-9652-0P	1313006
RD-5-9834-0P	1313005

RED DOT FACTORY	
Red Dot Factory Number	Kysor Number
RD1-0615-1	1715002
RD1-0650-0	1717008
RD1-0744-0	1715007
RD-1-0795-0P	1712008
RD-1-0795-0P	2640772
RD-1-0795-0P	2640774
RD-1-0822-0P	1712011
RD-12110-0P	2600007
RD1-2382-0	1714005
RD2-1370-0	1699013
RD2-1402-0	1699002
RD2-1480-1	1615003
RD2-1655-0	1615008
RD2-2502-0	1614003
RD-2-2502-0P	1614004
RD2-4074-0	1612002
RD-2-6297-0P	1617015
RD-3-10168-0P	3899028
RD3-10538-0	1099026
RD-3106-12	1099006
RD-3106-12P	1099033
RD-3106-38P	1199015
RD3133-4-24	1075006
RD-3-4804-0P	3199015
RD-3-8416-0P	3119001
RD3-8657-0	1019001
RD-3-8989-0P	3299043
RD-3-9805-0P	3199052

RED DOT FACTORY	
Red Dot Factory Number	Kysor Number
RD-4123-2P	2199006
RD-4125-36	2399004
RD-4125-48P	2399018
RD-4125-48P	2399019
RD-4126-1	1899008
RD-4130-1	2640701
RD-4130-1P	2499050
RD-4151-1P	2199022
RD-4151-2	2199023
RD-4151-4	2117001
RD-4156-108	2799087
RD-4160-1	1999007
RD-4180-0	2575004
RD-4180-36	2599020
RD-4181-0P	2575006
RD-4188-0	1812004
RD-4188-0P	1899020
RD-4188-0P	1899038
RD-4188-24P	1899017
RD-4191-0	2299005
RD-4220-0	1999202
RD-4226-0	2313001
RD-4226-0	2399010
RD-4226-0P	2399022
RD-4257-0P	2411004
RD4-3508-0	1275003
RD-4-3586-0P	1599119
RD-4366-0	2640792
RD4-3916-0	1599005
RD4-4000-1	1517018
RD4427-24	2399006
RD-4427-24	2399005
RD-4427-24	2399009
RD4-4613-1	1514016
RD4-4713-0	1513017
RD-4-47280-0P	1513028
RD4-4815-0	1519003
RD-4527-0	2299006
RD4-5273-0	1519004
RD4-5378-0	1599014
RD-4-5379-0P	1599015
RD-4-5418-0P	1599101
RD4-5658-0P	1517011
RD4-5695-0	1511005
RD4-5696-0	1511007
RD4-5764-0	1515002
RD4-5765-0	1515003

Red Dot Factory

This listing shows parts that are similar in physical interchangeability and function. Cross reference lists should not be used as application guides. Please refer to the proper listing in the applications section for specific make and model recommendations.

RED DOT FACTORY		RED DOT FACTORY		RED DOT FACTORY	
Red Dot Factory Number	Kysor Number	Red Dot Factory Number	Kysor Number	Red Dot Factory Number	Kysor Number
RD-4-5767-0P	1515006	RD-5-10199-0M	2712002	RD5-10288-0	1401101
RD4-5769-0	1515004	RD-5-10200-0M	2712001	RD-5-10288-0P	1410063
RD4-5809-0	1518006	RD-5-10201-0P	1999004	RD-5-10290-0P	1410068
RD4-5811-0	1575005	RD-5-10206-0P	3099059	RD5-10291-0P	1401367
RD4-6343-0	1518010	RD-5-10207-0P	3099067	RD-5-10291-0P	1410035
RD-4-6414-0P	1515018	RD-5-10236-0P	3299023	RD5-10292-0	1401330
RD4-6415-0	1515018	RD-5-10259-0P	1401468	RD-5-10292-0P	1410038
RD-4-6527-0P	1512015	RD-5-10260-0P	1401508	RD-5-10295-0P	1401116
RD4-6560-0	1514022	RD5-10261-0P	1401365	RD5-10296-0	1401384
RD4-6812-0	1517014	RD-5-10261-0P	1410012	RD-5-10296-0P	1401118
RD-4-7017-0P	1517019	RD5-10262-0	1401120	RD-5-10296-0P	1412002
RD-4-7018-0P	1517016	RD5-10263-0P	1401121	RD-5-10296-0P	1410072
RD-4-7040-0P	1515016	RD-5-10263-0P	1410005	RD5-10303-0	1401119
RD-4-7131-0P	1512025	RD-5-10264-0P	1401122	RD5-10303-0	1410091
RD-4-7131-0P	1512032	RD-5-10264-0P	1410008	RD5-10306-0	1813007
RD-4-7278-0P	1513027	RD5-10265-0	1401125	RD5-10307-0	1401391
RD-4-7281-0P	1513029	RD5-10266-0	1401126	RD-5-10310-0P	1401339
RD-4-7282-0P	1513035	RD5-10266-0	1412003	RD-5-10322-0P	1403111
RD-4-7283-0P	1513008	RD-5-10267-0P	1410023	RD5-10325-0	1403103
RD-4-7284-0P	1513004	RD5-10268-0	1401346	RD-5-10325-0P	1403120
RD-4-7306-0P	1512027	RD-5-10268-0P	1410007	RD5-10327-0	1403116
RD-4-7353-0P	1517021	RD5-10269-0	1401341	RD5-10329-0	1403116
RD5-0060-0	1899011	RD5-10269-0	1412004	RD5-10329-0	1403117
RD5-0071-0	2199007	RD5-10273-0	1401404	RD5-10333-0	1899041
RD-5-0071-0P	2199104	RD-5-10273-0P	1410002	RD-5-10336-0P	1017004
RD5-10011-0	1899002	RD5-10274-0	1401342	RD5-10337-0	1015007
RD-5-10012-0P	1810002	RD-5-10274-0P	1410004	RD5-10341-0	2099004
RD-5-10013-0P	1899021	RD5-10275-0	1410082	RD-5-10344-0P	2499109
RD-5-10014-0P	1899022	RD5-10275-0	1401377	RD5-10346-0	1199007
RD5-10068-0	1017003	RD5-10277-0	1401344	RD5-10346-0	1199035
RD-5-10068-0P	1011015	RD5-10278-0	1401379	RD-5-10348-0P	1918004
RD-5-10068-0P	1099025	RD-5-10278-0P	1410024	RD-5-10363-0P	1399008
RD-5-10069-1P	1099012	RD5-10281-0	1401379	RD5-10364-0	1312002
RD-5-10069-1P	1099024	RD-5-10281-0P	1410024	RD-5-10365-0P	1380006
RD-5-10070-1P	1099051	RD5-10282-0	1412005	RD-5-10366-0P	1380004
RD-5-10071-0P	1099125	RD5-10282-0	1401378	RD-5-10368-0P	1399068
RD5-10072-1	1075035	RD5-10284-0	1401347	RD5-10379-0	1099034
RD-5-10072-1P	1099050	RD-5-10284-0P	1410036	RD5-10381-0	1014005
RD5-10075-0	3199045	RD-5-10284-0P	1401450	RD-5-10387-0P	1011003
RD-5-10077-0P	3199025	RD5-10285-0	1401117	RD5-10388-0	1011016
RD-5-10079-0P	3199018	RD5-10285-0	1401371	RD-5-10390-0P	1075010
RD-5-10081-0P	3199032	RD-5-10285-0P	1410041	RD5-10392-0	1014005
RD-5-10082-0P	3199054	RD5-10286-0	1410083	RD-5-10392-0P	1099012
RD-5-10085-0M	2799013	RD-5-10286-0P	1401334	RD-5-10392-0P	1099024
RD-5-10156-0P	2318001	RD-5-10287-0P	1401115	RD5-10393-0	1099064
RD-5-10167-0P	2213007	RD-5-10287-0P	1410040	RD5-10395-0	1018002
RD-5-10198-0M	2712003	RD-5-10287-0P	1401331	RD-5-10397-0P	1313002

This listing shows parts that are similar in physical interchangeability and function. Cross reference lists should not be used as application guides. Please refer to the proper listing in the applications section for specific make and model recommendations.

RED DOT FACTORY	
Red Dot Factory Number	Kysor Number
RD-5-10431-0P	1403108
RD-5-10478-0P	3299033
RD5-10489-0	1099063
RD-5-10490-4P	1299004
RD5-10493-0	1401392
RD-5-10495-0P	1401406
RD5-10496-0P	1406006
RD-5-10496-0P	1410042
RD5-10504-600	2630001
RD5-10505-600	2630002
RD5-10506-600	2630003
RD-5-10507-0P	2600008
RD5-10507-600	2630004
RD5-10508-1	2632201
RD5-10509-1	2632206
RD5-10510-1	2632202
RD5-10511-1	2632207
RD5-10512-1	2632203
RD5-10513-1	2632208
RD5-10515-1	2632204
RD5-10516-1	2632251
RD5-10517-1	2632252
RD5-10518-1	2632253
RD5-10519-1	2632254
RD5-10520-1	2632291
RD5-10521-1	2632296
RD5-10522-1	2632292
RD-5-10522-1P	2632300
RD5-10523-1	2632297
RD5-10524-1	2632293
RD5-10525-1	2632298
RD5-10527-1	2632294
RD5-10528-1	2632593
RD5-10529-1	2632597
RD5-10530-1P	2632594
RD5-10531-1	2631201
RD5-10532-1	2631206
RD5-10533-1	2631202
RD5-10534-1	2631203
RD5-10535-1	2631207
RD5-10536-1	2631204
RD5-10537-1	2631291
RD5-10538-1	2631296
RD5-10539-1	2631292
RD5-10540-1	2631297
RD5-10541-1	2631298
RD5-10542-1	2631294

RED DOT FACTORY	
Red Dot Factory Number	Kysor Number
RD5-10543-1	2631293
RD5-10547-1	2630017
RD5-10548-1	2630019
RD5-10549-1	2630020
RD5-10550-1	2630021
RD5-10550-1	2630024
RD5-10554-1	2631252
RD5-10555-1	2631251
RD5-10556-1	2631256
RD5-10557-1	2633801
RD5-10558-1	2633802
RD5-10559-1	2633803
RD5-10560-1	2633891
RD5-10561-1	2633892
RD5-10562-1	2633893
RD5-10563-1	2633898
RD5-10564-1	2632503
RD5-10565-1	2632506
RD5-10566-1	2632502
RD5-10567-1	2632559
RD5-10568-1	2632560
RD5-10569-1	2632566
RD5-10570-1	2630911
RD5-10571-1	2630908
RD5-10572-1	2630909
RD5-10573-1	2630910
RD5-10574-1	2631507
RD5-10575-1	2631502
RD5-10576-1	2631592
RD5-10577-1	2631597
RD5-10578-1	2630791
RD5-10579-1	2630792
RD5-10580-1	2630793
RD5-10586-0	1912014
RD-5-10587-0P	2112013
RD5-10590-0	2114003
RD-5-10590-0P	2112005
RD-5-10591-0P	3199035
RD5-10593-0	3199030
RD-5-10687-0P	3199017
RD5-10690-1	2632101
RD5-10691-1	2632102
RD-5-10692-1P	2632103
RD-5-10692-1P	2632103
RD5-10693-1	2632104
RD5-10694-1	2632211
RD5-10695-1	2632212

RED DOT FACTORY	
Red Dot Factory Number	Kysor Number
RD5-10696-1	2632213
RD5-10697-1	2632214
RD5-10698-1	2632098
RD5-10699-1	2630701
RD5-10700-1	2630702
RD5-10701-1	2630703
RD5-10702-1	2630704
RD5-10703-1	2630794
RD5-10704-1	2630906
RD5-10705-1	2630907
RD5-10706-1	2630901
RD5-10707-1	2630902
RD5-10708-1	2630903
RD5-10709-0	2630005
RD5-10710-0	2630006
RD5-10711-0	2630007
RD5-10712-0	2630008
RD5-10713-0	2630009
RD5-10714-0	2630010
RD5-10715-0	2630011
RD5-10716-0	2630012
RD5-10717-0	2630013
RD5-10718-0	2630016
RD-5-10719-1P	2632591
RD5-10720-1	2632592
RD5-10721-1	2632596
RD-5-10725-0P	1401123
RD-5-10725-0P	1410085
RD-5-10728-0P	1403136
RD-5-10728-0P	1403137
RD-5-10728-1P	1403119
RD5-10737-0	1401356
RD-5-10737-0P	1410001
RD5-10738-0	1401133
RD-5-10738-0P	1410027
RD5-10739-0	2630014
RD5-10740-0	2630015
RD-5-10742-0P	1918004
RD-5-10745-0P	3114001
RD5-10753-0	1113003
RD5-10757-0	1813008
RD-5-10757-0P	4399131
RD5-10773-0	3113003
RD-5-10774-0P	3113001
RD5-10775-0	3113004
RD-5-10775-0P	3199021
RD-5-10776-0P	3113005

Red Dot Factory

This listing shows parts that are similar in physical interchangeability and function. Cross reference lists should not be used as application guides. Please refer to the proper listing in the applications section for specific make and model recommendations.

RED DOT FACTORY		RED DOT FACTORY		RED DOT FACTORY	
Red Dot Factory Number	Kysor Number	Red Dot Factory Number	Kysor Number	Red Dot Factory Number	Kysor Number
RD5-10777-0	1917001	RD5-11028-0P	1915002	RD5-11313-0	1401110
RD-5-10790-0P	2218022	RD5-11031-0	2318002	RD5-11313-0	1412001
RD5-10867-0P	1099069	RD-5-11102-0P	2999037	RD-5-11315-0P	1401111
RD5-10880-0	1401325	RD-5-11103-0P	2999036	RD-5-11315-0P	1410015
RD5-10881-0	1401326	RD-5-11105-0P	2999026	RD-5-11316-0P	1410016
RD5-10882-0	1401327	RD-5-11113-0P	2999075	RD-5-11316-0P	1410070
RD5-10883-0	1401328	RD-5-11118-0P	2999060	RD-5-11322-0P	1401114
RD5-10884-0	1401329	RD-5-11169-0P	2212002	RD-5-11322-0P	1410017
RD5-10885-0	1401201	RD-5-11185-0P	1919001	RD5-11326-0	1401371
RD-5-10885-0P	1410031	RD-5-11186-0P	1919002	RD-5-11326-0P	1401117
RD-5-10885-0P	1401448	RD5-11196-0	1912014	RD-5-11328-0P	1401118
RD5-10886-0	1401202	RD5-11237-0	1401353	RD-5-11328-0P	1412002
RD-5-10886-0P	1410047	RD5-11238-0	1401354	RD5-11334-0	1410084
RD5-10888-0	1401204	RD5-11238-0	1410082	RD5-11334-0	1401374
RD-5-10888-0P	1410048	RD5-11239-0	1401355	RD5-11336-0P	1401375
RD5-10890-0	1401206	RD-5-11239-0P	1410056	RD5-11337-0	1401107
RD-5-10890-0P	1410049	RD-5-11240-0P	1410061	RD5-11338-0	1401382
RD5-10892-0	1401208	RD-5-11240-0P	1401467	RD-5-11338-0P	1401334
RD-5-10892-0P	1410050	RD5-11241-0	1401106	RD-5-11339-0P	1401339
RD5-10893-0	1401210	RD5-11241-0	1410057	RD-5-11339-0P	1410026
RD-5-10893-0P	1410051	RD-5-11242-0P	1410067	RD5-11340-0	1401340
RD5-10895-0P	1401212	RD5-11243-0	1401359	RD5-11340-0	1410094
RD-5-10895-0P	1410052	RD-5-11243-0P	1401341	RD5-11343-0	1401380
RD5-10897-0	1401214	RD-5-11243-0P	1412004	RD5-11343-0	1401525
RD5-10899-0	1401225	RD5-11244-0	1401360	RD-5-11343-0P	1410021
RD-5-10899-0P	1410032	RD5-11245-0	1401361	RD5-11346-0	1401344
RD5-10900-0	1401226	RD-5-11245-0P	1410058	RD5-11346-0	1401382
RD-5-10900-0P	1410033	RD5-11247-0	1401120	RD-5-11346-0P	1410020
RD5-10905-0	1018003	RD-5-11247-0P	1410006	RD5-11347-0P	1401383
RD-5-10927-0P	1999225	RD5-11249-0	1401399	RD-5-11347-0P	1410029
RD-5-10934-0P	2199024	RD-5-11250-0P	1401407	RD-5-11356-0P	1401400
RD-5-10939-0P	1812010	RD-5-11250-0P	1410046	RD-5-11356-0P	1410009
RD-5-10942-0M	2799020	RD5-11251-0	1401346	RD5-11387-1	2632258
RD-5-10943-0M	2799023	RD-5-11251-0P	1410007	RD5-11466-0	1099063
RD-5-11005-0P	1410054	RD-5-11252-0P	1410059	RD5-11489-0	1012006
RD5-11006-0	1401200	RD5-11254-0	1401127	RD5-11521-0	1403129
RD5-11007-0	1399084	RD5-11254-0	1410092	RD5-11526-0	1013005
RD-5-11008-0P	1401217	RD5-11256-0	1401362	RD5-11527-0	2712004
RD-5-11008-0P	1410105	RD5-11256-0	1410010	RD5-11528-0	2712005
RD5-11009-0	1401219	RD-5-11257-0P	1401427	RD5-11529-0	2712006
RD5-11009-0	1410104	RD-5-11257-0P	1410011	RD5-11530-0	2712007
RD-5-11010-0P	1410055	RD5-11258-0	1401357	RD-5-11533-0P	1918005
RD-5-11015-0M	2799015	RD5-11258-0	1410095	RD-5-11546-0P	1911013
RD-5-11015-0M	2799115	RD5-11259-0	1401355	RD5-11572-1	2632219
RD-5-11016-0M	2799016	RD-5-11259-0P	1401364	RD5-11573-1	2632493
RD5-11017-0	2799017	RD-5-11259-0P	1410056	RD-5-11803-0	4399003
RD5-11018-0	2799018	RD-5-11311-0P	1401217	RD5-11836-0	3112012

This listing shows parts that are similar in physical interchangeability and function. Cross reference lists should not be used as application guides. Please refer to the proper listing in the applications section for specific make and model recommendations.

RED DOT FACTORY	
Red Dot Factory Number	Kysor Number
RD5-11838-1	2630721
RD5-11839-1	2630707
RD5-11840-1	2630722
RD-5-11841-0P	3112007
RD5-11866-0	1403146
RD-5-11921-0P	1899048
RD5-11978-1	2632095
RD-5-12032-0P	2610771
RD-5-12033-0P	2610772
RD-5-12034-0P	2610773
RD-5-12108-0P	2600006
RD-5-12150-0P	2299100
RD-5-12286-0P	2611304
RD-5-12289-0P	2611353
RD-5-12302-0P	2612551
RD-5-12303-0P	2612501
RD5-12330-0	1401397
RD-5-12330-0P	1410028
RD5-12332-0	1410003
RD-5-12332-0P	1401405
RD5-12334-0	1401390
RD-5-12334-0P	1410022
RD5-12354-0	3118003
RD-5-12450-1P	2113010
RD-5-12485-1P	2632501
RD5-12488-0	1514017
RD5-12520-0	1812005
RD5-12521-0	1812006
RD-5-12522-0P	1812007
RD-5-12523-0P	1401406
RD-5-12523-0P	1410019
RD5-12528-0	1411009
RD5-12529-0	1411005
RD-5-12550-0P	1401414
RD5-12551-0	1015007
RD-5-12674-0P	2899030
RD-5-12904-0P	1403169
RD-5-13062-0P	1401428
RD-5-13067-0P	1012016
RD-5-13069-0P	1017005
RD-5-13069-0P	1017006
RD-5-13207-0P	1401413
RD-5-13209-0P	1401435
RD-5-13210-0P	1401416
RD-5-13221-0P	3099064
RD-5-13226-0P	1401415
RD-5-13233-0P	2214006

RED DOT FACTORY	
Red Dot Factory Number	Kysor Number
RD-5-13235-0P	1410025
RD-5-14612-0P	1013013
RD-5-14644-0P	1441003
RD-5-14644-0P	1440001
RD-5-14645-0P	1401501
RD-5-14645-0P	1441001
RD-5-14645-0P	1440002
RD-5-14652-0P	1401396
RD-5-14652-0P	1410099
RD-5-14653-0P	1401420
RD-5-14653-0P	1410101
RD-5-14655-0P	1401417
RD-5-14656-0P	1401432
RD-5-14659-0P	1401438
RD-5-14661-0P	1401444
RD-5-14686-0P	1999223
RD-5-14688-0P	1999236
RD5-14693-0P	3117002
RD-5-14694-0P	3117001
RD-5-14696-0P	1401478
RD-5-15295-0P	1812008
RD-5-15505-0P	2118004
RD-5-15523-0P	1403141
RD-5-15572-1P	1401460
RD5-3593-0	1999009
RD-5-3593-0P	1999034
RD-5-3596-0P	3299002
RD5-3646-0	2199027
RD-5-3646-0P	2199025
RD5-3647-0	2099005
RD5-3647-0	2099006
RD5-3690-0	1099013
RD5-3690-1	1099007
RD5-3693-1	1408006
RD5-3693-1	1408024
RD-5-3693-1P	1409002
RD-5-3694-1P	1408005
RD5-3698-0	2799031
RD5-3702-0	3299007
RD5-3728-0	2799015
RD5-3728-0	2799115
RD5-3728-0	2799217
RD5-3729-0	2799016
RD5-3730-0	2799017
RD-5-3730-0M	2799117
RD5-3746-1	2640705
RD5-3748-0	2112001

RED DOT FACTORY	
Red Dot Factory Number	Kysor Number
RD-5-3751-24P	1075013
RD-5-3758-0P	3275008
RD-5-3779-0P	2118003
RD-5-3779-0P	2199005
RD-5-3780-0P	1099048
RD-5-3800-1P	1199020
RD5-3824-1	1875003
RD-5-3824-1P	1899009
RD-5-3827-0P	2199061
RD5-3827-1	2199019
RD-5-3827-1P	2199061
RD-5-3843-0P	1999037
RD-5-3843-0P	1999226
RD5-3876-1	2640702
RD-5-3876-1P	2499052
RD5-3923-0	2199009
RD5-3930-108	2799086
RD5-3933-1	1199001
RD-5-3940-0M	1409003
RD-5-4035-10M	2799076
RD5-4058-360	4399068
RD-5-4058-360P	2999015
RD5-4187-0	2600013
RD5-4233-24	1075011
RD5-4400-0	2799054
RD5-4408-0	2010009
RD5-4408-0	2099003
RD5-4408-0	2099013
RD5-4417-0	2099023
RD-5-4450-0P	2599037
RD5-4531-24	2399001
RD-5-4531-24P	2399003
RD-5-4575-24P	1299006
RD5-4583-0	2299003
RD5-4625-0	2299008
RD5-4632-0	1999022
RD5-4640-0	2299033
RD5-4661-0	1899026
RD-5-4665-0M	2799066
RD5-4694-1	2199008
RD-5-4727-0P	1999032
RD5-4827-24	1075034
RD5-4833-0	2299001
RD-5-4833-0P	2275012
RD5-4834-0	1999012
RD5-4852-0	2612192
RD-5-4908-0P	2175003

Red Dot Factory

This listing shows parts that are similar in physical interchangeability and function. Cross reference lists should not be used as application guides. Please refer to the proper listing in the applications section for specific make and model recommendations.

RED DOT FACTORY		RED DOT FACTORY		RED DOT FACTORY	
Red Dot Factory Number	Kysor Number	Red Dot Factory Number	Kysor Number	Red Dot Factory Number	Kysor Number
RD5-4909-0	2375001	RD5-5194-0	2199002	RD-5-6220-0P	3275009
RD5-4911-0	2399011	RD5-5195-0	1408002	RD5-6320-0	2199066
RD5-4912-0	2275005	RD5-5196-0	1408054	RD5-6395-0	2299010
RD5-4916-0	1813001	RD5-5197-0	1408053	RD-5-6396-0P	2213003
RD5-4917-0	2313001	RD5-5198-0	1408001	RD5-6397-0	2213001
RD5-4919-0	1810003	RD5-5223-0	3299004	RD-5-6397-0P	2213006
RD5-4923-0	2411005	RD-5-5223-0P	3275002	RD5-6429-0	2312001
RD5-4927-0	1099011	RD-5-5223-1P	3299020	RD5-6450-0	2012006
RD5-4937-0	1099003	RD5-5230-0	1014002	RD5-6501-0	2611198
RD5-4937-0	1099014	RD5-5263-0	1115001	RD5-6526-0	1099007
RD-5-4937-0P	1013004	RD5-5263-0	1199008	RD-5-6526-1P	1099022
RD-5-4937-0P	1013015	RD5-5396-0	1408013	RD-5-6527-0P	2611151
RD5-4948-0	1999029	RD5-5397-0	1408014	RD5-6531-0	1012009
RD5-4954-0	1999030	RD-5-5401-0M	1409001	RD5-6651-1	1115003
RD5-4955-0	1999203	RD-5-5401-0M	1409009	RD5-6691-0	2899028
RD-5-4966-0P	1313008	RD-5-5401-0M	1409014	RD-5-6780-0P	1817001
RD-5-4966-0P	1399005	RD-5-5403-3P	1599100	RD-5-6801-0P	1099047
RD-5-4966-0P	1399013	RD-5-5428-0P	3199041	RD-5-6802-0P	2599071
RD-5-4967-0P	1313005	RD-5-5486-0P	1399041	RD5-6803-0	2599015
RD-5-4967-0P	1380003	RD5-5495-1	2417001	RD5-6804-0	2114001
RD-5-4972-1P	1313005	RD5-5512-0	1014003	RD5-6804-0	2114002
RD-5-4972-1P	1380001	RD5-5512-0	1015002	RD5-6838-0	2612201
RD5-4975-0	1399017	RD-5-5525-0P	2499053	RD5-6840-0	2612292
RD5-4984-0	1312001	RD-5-5525-0P	2640703	RD-5-6841-0P	2612203
RD5-4994-0P	1399004	RD-5-5538-0P	3299049	RD-5-6867-0P	3199033
RD-5-4994-0P	1399046	RD-5-5552-0P	3299018	RD-5-6868-0P	1899046
RD5-4995-0	1399027	RD5-5571-0	1999011	RD5-6919-0P	1401109
RD-5-4997-0M	1409008	RD-5-5572-0P	1915005	RD-5-6919-0P	1410037
RD5-5006-600	2610001	RD5-5601-0	1199003	RD5-6943-0	2612251
RD5-5008-600	2610001	RD5-5614-0	1099015	RD5-6944-0	2611191
RD5-5008-600	2610002	RD-5-5614-0P	1075051	RD5-6945-0	2612291
RD5-5010-600	2610002	RD-5-5614-0P	1099049	RD-5-6946-0	2611202
RD5-5010-600	2610003	RD5-5656-0	1199009	RD5-6947-0	2612202
RD5-5012-600	2610004	RD-5-5754-0P	1407029	RD5-6948-0	2612252
RD5-5031-0	1407008	RD-5-5796-0P	1299002	RD-5-6949-0P	2611192
RD5-5032-0	1407009	RD-5-5796-24	1299007	RD5-6951-0	2611203
RD-5-5049-1P	1099018	RD5-5859-0	3099054	RD-5-6953-0P	2611153
RD5-5049-2	1075022	RD5-5873-0	2213010	RD5-6954-0	2612253
RD5-5119-0	2499031	RD5-5876-0	1403001	RD5-6955-0	2611193
RD-5-5120-24P	1075012	RD5-5877-0	2213001	RD5-6956-0	2612293
RD5-5121-0	1099021	RD-5-5901-0P	2799037	RD-5-6978-0P	2612298
RD5-5122-108	2799084	RD-5-5909-0P	1075031	RD-5-6979-0P	2611208
RD5-5123-108	2799085	RD-5-5909-0P	1099080	RD-5-7015-0P	1899005
RD5-5190-0	1099004	RD-5-5909-0P	1099124	RD-5-7023-0P	1403015
RD5-5192-0	2411003	RD5-5928-0	2575008	RD5-7030-0	2610005
RD5-5193-0	2499045	RD5-6098-0M	2899016	RD5-7057-0	2610902
RD5-5194-0	2175002	RD5-6099-0	1813002	RD-5-7058-0P	2610903

This listing shows parts that are similar in physical interchangeability and function. Cross reference lists should not be used as application guides. Please refer to the proper listing in the applications section for specific make and model recommendations.

RED DOT FACTORY	
Red Dot Factory Number	Kysor Number
RD-5-7061-1P	1999016
RD5-7062-1	1999011
RD-5-7063-0P	1915005
RD-5-7064-0P	1999229
RD-5-7064-1P	1999229
RD-5-7073-0P	2610904
RD-5-7074-0P	2610901
RD-5-7088-0P	1410064
RD-5-7088-0P	1401484
RD-5-7089-0P	1410062
RD-5-7089-0P	1401455
RD-5-7089-0P	1401485
RD-5-7090-0P	1401138
RD5-7091-0	1401140
RD-5-7091-0P	1410065
RD-5-7091-0P	1410085
RD5-7103-0	3099065
RD-5-7103-0P	3099007
RD5-7120-0	1401108
RD5-7120-0	1410014
RD5-7123-0	1299019
RD-5-7123-0P	1275005
RD-5-7123-0P	1299020
RD5-7124-0	1401113
RD-5-7124-0P	1410039
RD5-7145-0	1403100
RD5-7163-0	1403101
RD-5-7163-0P	1403110
RD-5-7165-0P	1403111
RD5-7179-0	1899031
RD-5-7223-0P	2612552
RD-5-7225-0P	2612592
RD5-7231-0	2612593
RD5-7236-0	2610003
RD-5-7272-0P	1999221
RD5-7310-0	1408050
RD-5-7318-0P	1408010
RD-5-7320-0P	1408009
RD5-7373-0	1401135
RD-5-7373-0P	1410071
RD-5-7392-0P	2612101
RD-5-7393-0P	2612191
RD5-7394-0	2621101
RD-5-7405-0P	2622705
RD5-7410-0	2610777
RD5-7417-0	2612102
RD5-7420-0	2621192

RED DOT FACTORY	
Red Dot Factory Number	Kysor Number
RD-5-7424-0P	2611206
RD-5-7424-0P	2611207
RD5-7430-0	1408036
RD-5-7431-0P	2622706
RD5-7436-0	2621692
RD-5-7443-0P	2620793
RD-5-7447-0P	2612103
RD5-7448-0	2612193
RD5-7448-0	2622193
RD5-7450-0	2621193
RD-5-7456-0M	1408037
RD-5-7457-0P	2622707
RD-5-7460-0P	2620793
RD5-7465-0	2621603
RD5-7466-0	2621693
RD-5-7468-0P	2612194
RD-5-7472-0P	2612211
RD-5-7473-0P	2612254
RD-5-7481-0P	2614022
RD5-7485-0	2621604
RD5-7486-0	2621694
RD-5-7495-0P	2612209
RD-5-7517-0P	1918001
RD-5-7517-0P	1919003
RD5-7522-0	1401107
RD-5-7522-0P	1410013
RD-5-7522-0P	1410018
RD-5-7523-0M	1409004
RD-5-7523-0M	1409005
RD-5-7523-0M	1409011
RD-5-7523-0M	1409013
RD-5-7524-0M	1408038
RD-5-7524-0M	1409005
RD-5-7524-0M	1409012
RD-5-7524-0M	1409016
RD-5-7534-0P	2612207
RD5-7539-0	1408049
RD-5-7543-0P	2612256
RD5-7546-0	2612591
RD5-7548-0	1401348
RD-5-7548-0P	1401111
RD-5-7548-0P	1410015
RD-5-7559-0P	1999040
RD5-7613-0	1408034
RD5-7614-0	1408035
RD-5-7629-0P	2611301
RD-5-7629-0P	2611351

RED DOT FACTORY	
Red Dot Factory Number	Kysor Number
RD5-7632-0P	2612502
RD-5-7637-0P	2612553
RD-5-7641-0P	2612519
RD5-7661-0	2611303
RD5-7688-0	1408051
RD5-7690-0	1408052
RD5-7732-0	2610006
RD-5-7733-0P	2612294
RD-5-7740-0P	2612204
RD5-7805-0	2611201
RD-5-7831-0P	1399041
RD5-7966-0	1408024
RD5-7967-0	1408025
RD-5-8009-0P	1380005
RD5-8017-0	2612503
RD-5-8029-0P	1011014
RD-5-8075-0P	2575003
RD-5-8076-0P	3199016
RD5-8195-0	2611198
RD5-8203-0	1099023
RD5-8219-0	2217002
RD5-8220-0	2217001
RD-5-8240-0P	1915004
RD5-8256-0	2113003
RD-5-8256-0P	2113001
RD5-8257-0	2313002
RD-5-8257-0P	2213012
RD-5-8257-0P	2313003
RD-5-8261-0P	2611204
RD-5-8262-0P	2611152
RD-5-8263-0P	2611194
RD-5-8264-0P	2611154
RD-5-8265-0P	2610779
RD-5-8266-0P	2610780
RD5-8267-0	2610777
RD-5-8268-0P	2610778
RD-5-8276-0P	2611196
RD-5-8277-0P	2611302
RD-5-8277-0P	2611352
RD-5-8278-0P	2611393
RD-5-8279-0P	2611391
RD-5-8280-0P	2611392
RD-5-8281-0P	2612504
RD-5-8282-0P	2612594
RD-5-8284-0P	2612208
RD-5-8285-0P	2612257
RD-5-8286-0P	2612296

This listing shows parts that are similar in physical interchangeability and function. Cross reference lists should not be used as application guides. Please refer to the proper listing in the applications section for specific make and model recommendations.

RED DOT FACTORY	
Red Dot Factory Number	Kysor Number
RD5-8287-0	2212005
RD-5-8289-0P	2213002
RD-5-8292-0M	1409007
RD-5-8293-0M	1409006
RD5-8330-0	2413006
RD-5-8334-0M	2799095
RD-5-8338-0P	1407010
RD5-8374-0	1199006
RD-5-8405-0P	2611205
RD5-8433-0	2212001
RD-5-8463-0P	2612297
RD5-8490-0	2114003
RD5-8490-0	2199003
RD-5-8527-0P	2213013
RD-5-8539-0P	2622401
RD5-8618-0	1199010
RD5-8638-0P	1402002
RD-5-8638-0P	1411002
RD-5-8654-1P	2599041
RD-5-8673-0P	2599031
RD5-8680-0	1401136
RD5-8772-0	2799047
RD-5-8772-0P	2799046
RD5-8773-0	2799048
RD5-8773-0	2799049
RD5-8774-0	2799050
RD5-8774-0	2799051
RD-5-8785-2P	1099153
RD-5-8791-0P	2199069
RD5-8804-0	2499002
RD5-8805-0	1099003
RD-5-8849-0M	1409018
RD5-8850-0	2899005
RD5-8851-0	2899002
RD5-8857-0	2499005
RD5-8859-0	2412013
RD5-8859-0	2499038
RD-5-8922-0P	1099092
RD-5-8935-0P	2499098
RD5-8938-0	2399009
RD-5-8943-0P	2412007
RD5-8944-0	1403112
RD-5-8944-0P	1403015
RD5-8945-0	1401104
RD5-8947-0	1117003
RD5-8948-0	1012010
RD5-8949-0	2412005

RED DOT FACTORY	
Red Dot Factory Number	Kysor Number
RD5-8958-0	2899100
RD-5-8967-0P	2118002
RD5-9028-0	1403105
RD-5-9059-1P	1403102
RD5-9061-0	2799018
RD5-9061-0	2799118
RD5-9084-0	2899029
RD-5-9088-0P	1410066
RD5-9100-0	1015006
RD5-9154-0	1407036
RD5-9155-0	1407038
RD-5-9155-0P	1407042
RD5-9156-0	1407037
RD-5-9218-0M	2899027
RD-5-9219-0M	2899015
RD-5-9219-0M	2899026
RD-5-9249-0P	1399014
RD5-9251-0	1401373
RD-5-9251-0P	1410043
RD-5-9419-1P	1999261
RD-5-9456-0P	1380002
RD5-9458-0	1401128
RD5-9458-0	1410087
RD-5-9513-0P	1812013
RD-5-9515-0P	1918001
RD-5-9515-0P	1919003
RD-5-9556-1P	1917008
RD-5-9557-0	2199091
RD5-9564-0	1899003
RD5-9609-0	1403114
RD-5-9609-11P	1403125
RD5-9633-0	3099042
RD-5-9655-0P	1399005
RD5-9659-0	1399045
RD-5-9665-0P	1313002
RD-5-9665-0P	1313008
RD-5-9665-0P	1399013
RD-5-9789-0P	1918005
RD-5-9798-0P	1313006
RD-5-9799-0P	1399014
RD-5-9802-0P	1380007
RD-5-9806-0M	2799025
RD-5-9806-0M	2799026
RD-5-9807-0P	1811001
RD-5-9808-0P	2899031
RD5-9809-0	2899032
RD5-9810-0	2899033

RED DOT FACTORY	
Red Dot Factory Number	Kysor Number
RD-5-9812-0P	1409010
RD5-9813-0	1408022
RD5-9814-0	1408023
RD5-9815-0	2899004
RD5-9816-0P	2899006
RD5-9817-0	2899003
RD5-9818-0	2899001
RD-5-9833-0P	2118003
RD-5-9833-0P0	2199005
RD-5-9910-0P	1408030
RD-5-9915-0P	2099002
RD-5-9916-0P	2013003
RD-5-9916-0P	2013004
RD-5-9953-0P	1408027
RD-5-9956-0P	1408031
RD-5-9974-0M	1409017
RD-5-9974-0M	1409018
RD-5-9979-0M	2799097
RD5-9985-0	1401332
RD5-9987-0	2799202
RD5-9988-0	2799200
RD-5-9989-0P	2799201
RD-5-9990-0P	2299035
RD-5-9991-0P	2213009
RD-5-9991-0P	2299031

SANDEN	
Sanden Number	Kysor Number
4010	1401450
4018	1401497
4020	1401498
4025	1401442
4027	1401411
4027	1412007
4028	1401408
4028	1410075
4034	1401409
4034	1410076
4039	1401404
4040	1401405
4041	1401406
4042	1401390
4051	1401451
4052	1401436
4052	1410077

This listing shows parts that are similar in physical interchangeability and function. Cross reference lists should not be used as application guides. Please refer to the proper listing in the applications section for specific make and model recommendations.

SANDEN	
Sanden Number	Kysor Number
4066	1401452
4074	1401453
4075	1401428
4076	1401410
4077	1401413
4078	1401416
4079	1401435
4080	1401414
4081	1401417
4082	1401396
4082	1410099
4083	1401418
4083	1410100
4084	1401420
4084	1410101
4087	1401424
4088	1401425
4088	1410102
4089	1401415
4090	1401432
4091	1401447
4093	1401499
4096	1401500
4097	1401438
4097	1441003
4097	1440001
4098	1441002
4098	1440003
4099	1401501
4099	1441001
4099	1440002
4108	1401438
4108	1441003
4108	1440001
4121	1401520
4128	1401509
4261	1401502
4269	1401136
4269	1401454
4271	1401455
4272	1401456
4281	1401503
4285	1412013
4286	1412011
4301	1401457
4302	1401458
4303	1401353
4304	1401354

SANDEN	
Sanden Number	Kysor Number
4304	1410082
4305	1401355
4305	1410056
4306	1401356
4306	1410001
4307	1401421
4307	1410074
4308	1401429
4308	1410073
4312	1401459
4314	1401460
4318	1401403
4318	1410060
4322	1401445
4325	1401504
4326	1401437
4326	1412009
4327	1401505
4332	1401401
4332	1410086
4334	1401461
4347	1401422
4347	1412008
4362	1401519
4362	1401440
4362	1410093
4379	1410080
4384	1401446
4384	1412014
4392	1401423
4392	1412012
4394	1401507
4401	1401462
4402	1401463
4404	1401464
4405	1401465
4418	1401389
4418	1410088
4419	1401200
4420	1401201
4420	1410031
4424	1410002
4425	1410003
4433	1410004
4434	1401225
4434	1410032
4435	1401226
4435	1410033

SANDEN	
Sanden Number	Kysor Number
4440	1401466
4455	1401495
4467	1401402
4467	1410097
4468	1410061
4468	1401467
4469	1401106
4469	1410057
4471	1410005
4471	1401121
4472	1401359
4473	1401360
4474	1401361
4474	1410058
4475	1401126
4475	1412003
4477	1401120
4477	1410006
4478	1401468
4479	1401469
4482	1401399
4484	1401342
4485	1401346
4485	1410007
4486	1410059
4487	1401508
4488	1401122
4488	1410008
4489	1401470
4490	1401400
4490	1410009
4491	1401125
4492	1401127
4492	1410092
4493	1401362
4493	1410010
4494	1401427
4494	1410011
4495	1401357
4495	1410095
4496	1401364
4497	1410012
4497	1401365
4499	1401471
4506	1410062
4507	1410062
4508	1401101
4508	1410063

Sanden

This listing shows parts that are similar in physical interchangeability and function. Cross reference lists should not be used as application guides. Please refer to the proper listing in the applications section for specific make and model recommendations.

SANDEN		SANDEN		SANDEN	
Sanden Number	Kysor Number	Sanden Number	Kysor Number	Sanden Number	Kysor Number
4510	1410064	4672	1401118	4820	1401340
4511	1401104	4672	1412002	4820	1410094
4513	1401348	4675	1401511	4821	1401341
4516	1401140	4678	1401474	4821	1412004
4516	1410065	4687	1401119	4822	1401133
4530	1401332	4687	1410091	4822	1410027
4536	1410066	4695	1410018	4823	1412005
4537	1401136	4696	1410019	4823	1401378
4544	1401407	4698	1401512	4848	1401521
4546	1401426	4700	1401344	4855	1401525
4596	1401510	4700	1410020	4860	1401202
4600	1401366	4705	1410042	4860	1410047
4600	1410034	4705	1406006	4862	1401204
4602	1410067	4707	1401475	4862	1410048
4616	1401472	4708	1401476	4864	1401206
4617	1410035	4710	1401477	4864	1410049
4617	1401367	4711	1401373	4866	1401208
4618	1401347	4711	1410043	4866	1410050
4618	1410036	4712	1401496	4868	1401210
4626	1401107	4713	1410070	4868	1410051
4626	1410013	4717	1410021	4870	1410052
4627	1401108	4720	1401478	4870	1401212
4627	1410014	4739	1410084	4872	1401214
4628	1410068	4739	1401374	4874	1410054
4637	1410037	4742	1401479	4875	1401217
4637	1401109	4745	1401123	4875	1410105
4641	1401473	4745	1410085	4877	1401219
4643	1401330	4746	1401138	4877	1410104
4643	1410038	4747	1401480	4881	1410055
4645	1401110	4753	1410044	4883	1401397
4645	1412001	4759	1410022	4883	1410028
4646	1401111	4762	1401128	4885	1401513
4646	1410015	4762	1410087	4890	1401379
4647	1410016	4775	1401386	4893	1401380
4652	1401113	4776	1410023	4895	1401382
4652	1410039	4778	1410024	4896	1410029
4653	1401433	4779	1401375	4896	1401383
4653	1410069	4781	1401334	4897	1412006
4659	1410083	4800	1401481	5072	1401391
4660	1401114	4802	1401438	5073	1401514
4660	1410017	4802	1412010	5077	1401392
4663	1410040	4804	1401419	6321	1401483
4663	1401331	4805	1401482	6626	1401484
4664	1401115	4810	1401377	6627	1401485
4665	1401116	4815	1410025	6631	1401348
4666	1401117	4816	1410046	6632	1401486
4666	1410041	4819	1401339	6634	1401136
4667	1401371	4819	1410026	6642	1401515

This listing shows parts that are similar in physical interchangeability and function. Cross reference lists should not be used as application guides. Please refer to the proper listing in the applications section for specific make and model recommendations.

SANDEN	
Sanden Number	Kysor Number
6656	1401101
6656	1410063
6664	1410064
6665	1410062
6671	1401104
6672	1401140
6673	1401522
6674	1401332
6676	1401333
6676	1410066
6677	1401529
6697	1401488
7170	1401516
7304	1401495
7360	1401489
7819	1401135
7819	1410071
7822	1401384
7822	1410072
8045	1401490
8112	1401523
8144	1401491
8152	1401492
8242	1401518
8243	1401493
4117U	1401444
4117U	1412011
4120U	1401443
4277U1	1401494
4310U	1401448
4426-9931	1399068
4506-9920	1407029
4861-0400	1399084
4865-6340	1401325
4866-6340	1401326
4867-6340	1401327
4868-6340	1401328
4869-6340	1401329
4872-9930	1399075
6511-6210	1399041
7803-1996	3099007

SIEMENS	
Siemens Number	Kysor Number
PM102	1099003
PM126	1013015
PM126	1099014
PM205	1011016
PM267	1011003
PM3306	1099023
PM3341	1099063
PM3345	1012006
PM341X	1099012
PM367	1075017
PM373	1075034
PM-373	1075013
PM381	1099021
PM385	1099015
PM763	1017001

THOMAS	
Thomas Number	Kysor Number
103290	1299032
104947	3399068
115416	1299042
125868	1299031
176309	3399040
177926	3399033
179971	3399024
182473	3399057
182482	3399058
182519	3399091
182520	3399059
182523	3399009
182524	3399060
182783	3399061
184618	1099323
26051368	1299010
73069010	1013006
081685502	1299041
92711600	1099040
93107300	1899032
426826001	3299002
426827001	2499021
426829002	2199026
427484008	1117001
427484009	2099020
427485008	3299020
430164001	3299062
431736001	3399084

THOMAS	
Thomas Number	Kysor Number
431736013	1799057
433093001	1299029
435341004	2599076
436968001	1299022
437122019	1775017
437122023	1099095
437528001	3113007
438659002	1799054
438660002	1799021
438964004	4399040
438964005	4399087
440626011	1799056
441086001	3299052
441179004	1799058
441179005	3299026
441355001	3899021
441355006	2599075
441537001	3199090
442129012	1099024
442129021	2799085
446637001	3199072
447526002	1799049
448253001	3399026
449428011	1799027
450037004	2099016
450037008	1199029
450037019	1199028
450038001	2599025
450038002	2575009
450038004	4399142
450096004	1799047
450096021	1075036
450139001	1099080
452046004	2599059
452046006	2599060
452046009	1099161
452046010	1075020
1696836C1	2099004
2205723C1	2499144
2206537C95	3399063
2206538C95	3399064
2210999C1	1299023
2211903C1	3113008
2211904C1	3113009
2217914C1	1099098
2217916C1	3299018
2219715C1	2640796
2227279C92	1099319

Thomas

This listing shows parts that are similar in physical interchangeability and function. Cross reference lists should not be used as application guides. Please refer to the proper listing in the applications section for specific make and model recommendations.

THOMAS		THOMAS		THOMAS	
Thomas Number	Kysor Number	Thomas Number	Kysor Number	Thomas Number	Kysor Number
2227279C93	1099319	2603-4369	1099032	8566-0034	3199035
2228159C1	3399082	2604-4367	1099080	8566-0049	2099006
2229059C1	3399035	2605-1367	1199024	8566-0050	1199007
2230237C91	1299035	2605-7365	1199043	8566-0102	1099047
2230239C91	1299034	2606-2365	1099006	8566-0125	2099004
2230256C91	1099121	2606-5365	1275005	8566-0130	1075031
2238251C1	1713006	2606-5366	1099029	8566-0135	1299015
22-71865-000	1099322	2606-7370	3199060	8566-0156	2499068
2503277C1	1099034	2607897C91	1099097	8566-0177	3199035
2503743C91	2599090	2607901C1	1799045	8566-0178	3199041
2507207C1	1799020	2607910C1	2599068	8566-0226	1099034
2507219C1	2599051	2607912C1	3199092	8566-0227	1099050
2507220C1	3199066	2609-3370	3199047	8566-0233	1199038
2507222C1	2599052	2610-1370	3199028	8566-0244	1799010
2507223C1	2599053	3594934C4	3399003	8566-0296	1799011
2507231C1	1199006	3628830C92	3899015	8566-0377	1799013
2507242C1	1099116	3661993C93	3399090	8566-0378	1099051
2507243C1	2499078	3722143C94	3399086	8566-0380	3199032
2509051C1	2099013	3791189C1	2499146	8566-0384	1799012
2509225C1	1799026	3864119C1	3399036	8566-0385	3199031
2509228C1	3199073	3864183C1	3399037	8566-0439	3199025
2511225C1	2099019	3957323C91	1099316	8566-0446	1799071
2512552C91	1799066	3957534C91	1099317	8566-0760	3199054
2513048C1	1799072	3991274C1	3399056	BSM 1000033591	1099119
2515529C1	2599075	4602-0082	3199022	BSM 1000046149	1099090
2585989C1	1799028	488831C1	1099011	BSM 1000133279	3399039
2585992C1	3199074	5200-3268	1299023	BSM 1000133568	1713006
2586986C1	1013007	6125-0108	2599073	BSM 1000170160	3399054
2587218C1	2199064	6500-0439	1099033	BSM 1000198369	2499088
2587219C1	2199065	6600-0069	1799036	BSM 1000202058	1299031
2587494C1	1799050	6600-0091	1799018	BSM 1000230606	2499087
2587507C1	2599061	6600-0092	2599043	BSM 1000235880	2499087
2588271C1	2599062	6600-0225	3199044	BSM 1000342648	1099030
2588423C1	2599057	6600-0291	3199050	BSM 1000346164	2499127
2589562C1	1799012	6600-0292	3199046	BSM 1000346774	2499134
2589571C1	1799013	6600-0293	3199049	BSM 1000365409	3399033
2593515C1	3199088	6600-0294	3299044	BSM 1000365412	3399024
2594604C92	1099120	6600-0295	3199048	BSM 1000365530	1713006
2595282C91	1099130	6600-0305	1199056	BSM 1000426128	1099135
2595285C2	2017002	6600-0405	3299030	BSM 1000475575	3399009
2598644C1	1099077	6600-0444	2599056	BSM 1000634446	2499142
2598648C1	1013009	6600-0514	3299033	BSM 1000694282	1099146
2598661C1	2499096	6600-0894	3399054	BSM 1000834227	2099028
2601-8378	1299017	6600-0894	3399076	BSM 1001404190	3399092
2602-4374	1199006	6600-1601	3399030	BSM 1001429553	1099157
2602-6374	1199044	6600-4667	3899007	BSM 1001487644	1099326
2602-7374	2499145	8566-0007	1099002	BSM 108250	1799014
2603-1374	1199008	8566-0009	1099018	BSM 108259	1799010

This listing shows parts that are similar in physical interchangeability and function. Cross reference lists should not be used as application guides. Please refer to the proper listing in the applications section for specific make and model recommendations.

THOMAS	
Thomas Number	Kysor Number
BSM 108274	1799012
BSM 108275	1799013
BSM 108276	1799071
BSM 108336	1799040
BSM 108337	1799016
BSM 108346	1799025
BSM 108442	1799029
BSM 110180	1799018
BSM 110600	1799036
BSM 202520	1099032
BSM 203233	1099052
BSM 203234	1099053
BSM 203412	1099128
BSM 301252	1099025
BSM 301601	1099080
BSM 500088	3299042
BSM 500089	3299057
BSM 507700	1199043
BSM 515400	1199024
BSM 525048	2599070
BSM 525169	3199035
BSM 525209	3199041
BSM 525406	3199027
BSM 525462	2599080
BSM 525463	2599079
BSM 525802	3199055
BSM 525823	2599047
BSM 525836	3199064
BSM 526036	3199094
BSM 526427	3199082
BSM 526431	3199067
BSM 530262	2199098
BSM 530263	2199099
BSM 530264	2199097
BSM 540900	3199047
BSM 564200	2499145
BSM 571830	2599073
BSM 584200	3199046
BSM 584220	3299044
BSM 586970	3299030
BSM 652541	4099150
BSM 710105	3399030
BSM 808810	3299032
BSM 808900	3299034
BSM 856140	2499068
BSM 868516	1799015
BSM 869058	2499069
BSM 880014	3899007

THOMAS	
Thomas Number	Kysor Number
BSM B411407	1075018
BSM E525095	1099134
KYS 173090	2499006
KYS 275254	1099147
KYS 275266	1075017
KYS B411271	1075025
TBB 104947	3399068
TBB 115416	1299042
TBB 125882	1299025
TBB 129547	1299030
TBB 150627	1299036
TBB 158457	3399039
TBB 167964	3399040
TBB 61250359	2599069
TBB 66000910	3299031
TBB 85660760	3199054
ZGG11621	1117001
ZGG16411	1117002
ZGG701064	1099054
ZGG701108	1099090
ZGG703003	1299017
ZGG717078	2499125
ZGG720004	3199031
ZGG720005	3199032

TRP	
TRP Number	Kysor Number
1000139585BSM	1410013
34788NIBSM	2999109
AA11950	2799101
AA13000	3475004
AA13050	3475005
AA13100	2610009
AB20900	1409008
AB30200	2621652
AB31250	1408013
AB31300	1408014
AB31350	1408015
AB31400	1408016
AB31450	1408053
AB31500	1408054
AB31550	1408020
AB31850	1408022
AB31900	1408023
AB31950	1408024
AB32050	1408036

TRP	
TRP Number	Kysor Number
AB32100	1408037
AB32150	1408038
AB32200	1408034
AB32250	1408035
AB32300	1408030
AB32350	1408031
AB32600	2899010
AB32750	2899014
AB32900	1408043
AB32950	1408044
AB33050	1408048
AB33200	1408049
AB33250	1408050
AB33300	1409010
AB33400	2622401
AB33950	1408046
AB34000	1408051
AB34050	1408052
AB34450	2999036
AB34500	2999037
AB34550	2899026
AB34600	2899027
AB34650	2610012
AB34700	2610013
AB34750	2610010
AB34800	2610011
AB34850	2610905
AB34900	2611553
AB34950	2611593
AB35000	2611503
AB35050	2611554
AB35150	2611504
AB35200	2611551
AB35250	2611591
AB35300	2611501
AB35350	2611552
AB35400	2611592
AC10650	2799015
AC11100	2799117
AC11250	2799210
AC11700	2799013
AC11750	2799014
AC11800	2799115
AC11850	2799019
AC11900	2799016
AC11950	2799017
AC12000	2799018
AC12050	2799020

TRP

This listing shows parts that are similar in physical interchangeability and function. Cross reference lists should not be used as application guides. Please refer to the proper listing in the applications section for specific make and model recommendations.

TRP		TRP		TRP	
TRP Number	Kysor Number	TRP Number	Kysor Number	TRP Number	Kysor Number
AC12100	2799021	BA16050	2212006	CA10350	2099004
AC12150	2799022	BA16200	2212004	CA10400	2012005
AC12200	2799023	BA16350	2213009	CA10700	2017001
AC12250	2799024	BA16400	2213012	CA10710	2017003
AC12300	2799025	BA16450	2213013	CA10750	2013005
AC12350	2799026	BA16500	2213014	CA10950	2013003
AC12400	2799027	BA16550	2299036	CA11050	2013004
AC12450	2799028	BA16600	2299037	CA1115	2018001
AC12500	2799029	BA29600	2118003	CA11700	2012007
AC12550	2799030	BA30750	2299035	CA11775	2099019
AC12850	2799031	BA31010	2199074	CA11950	2015003
AC12950	2799032	BA41450	2399026	CB10050	2099003
AC13150	2799107	BA42790	2275003	CB10800	2099002
AC13200	2799108	BB10000	2299005	CB11150	2099013
AC13250	2799110	BB11200	2213001	CB13150	2011001
AC13500	2712001	BB11450	2213006	CB13200	2010009
AC13550	2712002	BB13750	2210001	CB13250	2010010
AC13600	2712003	BB13900	2213007	CB13300	2012001
AC13650	2712004	BB14000	2299002	CB13350	4099150
AC13700	2712005	BB14050	2213010	CB13400	2012003
AC13750	2712006	BB14100	2213003	CB21660	2099009
AC13800	2712007	BB14150	2299013	CC25080	2199071
AE10350	4399027	BB14550	2212001	CC29200	2199048
AE10600	1408006	BB14600	2212002	CC29250	2199041
B2900120	4399092	BC10000	2299003	CC39300	2199039
B3004480	2799217	BD08290	2199101	CC39400	2199032
BA10550	2114001	BD10350	2399019	CC98000	2199038
BA10600	2118002	BD10450	2399011	CD10000	1899020
BA10650	2199027	BD10550	2313001	DA11600	3212008
BA10750	2175003	BD10750	2399005	DB10000	2114004
BA10800	2114003	BD10800	2312001	DB10050	3299049
BA10900	2117001	BD11050	2399003	DB10100	3299048
BA10950	2199003	BD13350	2318001	DB10150	3299047
BA11000	2199021	BD13400	2399006	DB10500	3299046
BA11650	2175004	BD13550	2314002	DB10800	3299045
BA11800	2199010	BD14300	2318002	DC10000	4399045
BA12050	2199008	BD14900	2313003	EA10050	1899008
BA12400	2299008	BD15300	2313002	EA10200	1875003
BA13250	2112001	BD15450	2318004	EA10300	1899026
BA13900	2199005	BD15550	2312002	EA10750	1899005
BA13950	2175002	BD15600	2312003	EA10900	1814006
BA14100	2113002	BD97030	3899005	EA13100	1813007
BA14150	2113001	BE08510	1899032	EA13150	1817001
BA14550	2113003	BE10000	2199007	EA14000	1817005
BA15000	2112008	CA09900	2099016	EA14150	1899041
BA15200	2212005	CA10000	2099005	EA14500	1817011
BA15250	2112002	CA10040	2099006	EA14550	1812005
BA16000	2211007	CA10200	2012006	EA14650	1812006

This listing shows parts that are similar in physical interchangeability and function. Cross reference lists should not be used as application guides. Please refer to the proper listing in the applications section for specific make and model recommendations.

TRP		TRP		TRP	
TRP Number	Kysor Number	TRP Number	Kysor Number	TRP Number	Kysor Number
EA14700	1812007	FD11300	2599043	GE11550	3112009
EA14750	1812008	FD11350	2599044	HA03100	1099138
EA14850	1812010	FD12250	2512007	HA09070	1099120
EA14900	1812011	FD12400	2599049	HA0983	1017006
EC10150	1899003	FE10000	4399144	HA10100	1099013
EC10200	1811001	FF10250	2199063	HA10500	1012009
EC10250	1899002	FF11300	2199058	HA10600	1099022
EC10300	1810002	FR10000	3475056	HA10700	1099007
EC10350	1899021	FR1005KYSO	3175006	HA11250	1099024
EC10650	1899013	FR10100	3475036	HA11550	1099011
EC10700	1899014	FR10150	3475057	HA11950	1099023
EC10750	1899015	FR10200	3175005	HA12500	1011016
EC10800	1813008	FR11000	3114003	HA12600	1099092
FA02050	2599066	FR11110	3199034	HA13330	1099118
FA02230	3899024	FR11120	3199021	HA13500	1014006
FA02330	2599067	GA10200	3275003	HA14150	1099072
FA02520	2599077	GA10600	4399046	HA14200	1099029
FA10000	2599020	GA11880	4499038	HA14500	1014007
FA10100	2599015	GB07460	3299017	HA15200	1014002
FA10500	2599057	GB07470	3299050	HA15250	1099094
FA10555	2599045	GB07540	3299018	HA15250	1099127
FA10750	2599009	GB08330	3299024	HA15300	1014005
FA11650	2599005	GB10200	3299029	HA15750	1075031
FA13650	2512003	GB10350	3299002	HA15850	1099003
FA13700	2299100	GB10500	3299004	HA15950	1099006
FA54100	2599056	GB10600	3299030	HA16000	1099032
FB05680	3899018	GB11850	3299020	HA16050	1014003
FB08260	3899023	GB12350	3212002	HA16400	1075009
FB09260	3899003	GB12400	3299031	HA17050	1013008
FC10000	4399005	GB12500	3299033	HA18050	1099033
FC10200	3899026	GB12550	3299034	HA18200	1018003
FC10350	4399029	GB13350	3212005	HA18300	1018002
FD00070	2575009	GB13700	3299043	HA18350	1013005
FD00920	2599031	GB50760	3299023	HA18500	1013009
FD00960	2599032	GD10200	3113003	HA18550	1013007
FD00990	2575011	GD11400	3112005	HA18700	1099063
FD01020	2599058	GD11450	3112006	HA19500	1099080
FD10000	2599036	GD11500	3199030	HA19600	1099034
FD10150	2599025	GD11600	3113004	HA19650	1099050
FD10200	2599037	GD11650	3112001	HA19700	1099051
FD10250	2575003	GD11750	3112010	HA19900	1013004
FD10300	2599070	GD11800	3114001	HA20000	1099014
FD10400	2575010	GD11850	3118002	HA20050	1099012
FD10450	2599038	GD11900	3118003	HA20700	1011003
FD10550	2575004	GD4100	3199085	HA21500	1011014
FD10700	2575006	GD5600	3113006	HA21550	1012006
FD11000	2575005	GE10000	4399143	HA21600	1012010
FD11200	2599041	GE11450	3112007	HA21700	1099064

TRP

This listing shows parts that are similar in physical interchangeability and function. Cross reference lists should not be used as application guides. Please refer to the proper listing in the applications section for specific make and model recommendations.

TRP		TRP		TRP	
TRP Number	Kysor Number	TRP Number	Kysor Number	TRP Number	Kysor Number
HA21750	1099030	HC14050	1113003	JA22350	1919003
HA21800	1099052	HC14300	1115003	JA22600	1912014
HA21850	1099053	HC14700	1199043	JA22750	1913011
HA21930	1075005	HC14750	1199024	JB10300	2999091
HA22000	1099038	HC14850	1199044	JC10850	1999012
HA22000	1099040	HC14900	1199038	JC11950	1910002
HA22050	1099054	HC15800	1299014	JC21100	1999013
HA22100	1099055	HC15900	1299017	JC21450	1999004
HA22200	1012015	HC15950	1275005	JC21550	1911013
HA22300	1099059	HC16000	1299015	JD10000	1999200
HA23400	1015006	HC16250	1117003	KA10100	1399027
HA23650	1018006	HD10200	1299001	KA10350	1399004
HA23700	1015007	HD10850	1299027	KA10450	1312001
HA23850	1012016	HD10900	1299007	KA10800	1399014
HA24000	1099132	HD11450	1299008	KA10850	1399017
HA26670	1099121	HD11500	1299010	KA10950	1399005
HA35910	1099119	HD12400	1299023	KA13950	1313005
HA51900	1075035	HD12450	1299021	KA14900	1313002
HA97030	1099097	HD20560	1299030	LA12300	1408002
HB10100	1075051	HD20570	1299025	LA12500	1408001
HB10500	1099002	HD63300	1299022	LF4377	1401414
HB10700	1099021	HD67370	1299029	LM11300	2999031
HB10850	1017003	HD735C0	1299032	LM11350	3099065
HB11350	1099048	HD85830	1299034	LM11650	3099047
HB13950	1099019	HD85840	1299035	LM11700	3099069
HB15700	1099018	HE10100	4399147	LM11800	3099071
HB16100	1099020	HE10300	4390005	MA00070	2499152
HB16250	1099025	HE14800	3799020	MA03000	2599053
HB16700	1099047	HE15750	3713011	MA03930	2499093
HB17500	1099069	HE16300	3799034	MA07480	2199064
HC01140	1199047	HE16400	3475066	MA07490	2199065
HC01190	1299028	HF15300	1117002	MA10250	2475002
HC01700	1199028	HG10250	4399060	MA10400	2499003
HC01710	1199029	JA10053	1999040	MA11500	2799037
HC02310	1175002	JA10450	1975004	MA12350	2499044
HC08670	1175003	JA10850	1999009	MA12580	2118004
HC1000BSM	1199035	JA10900	1999011	MA13500	2413004
HC10050	1199006	JA11300	1999007	MA13550	2413003
HC10500	1199007	JA11650	1999226	MA13660	2499109
HC10650	1275003	JA11700	1999016	MA14300	2117005
HC10700	1299016	JA12700	1918001	MA14400	2199069
HC10800	1299013	JA16050	1999032	MA14650	2413006
HC11200	1113001	JA18700	1919001	MA14850	2413005
HC11700	1199049	JA20150	1999029	MA15000	2411001
HC11850	1117001	JA20350	1914004	MA15050	2411007
HC12700	1199012	JA20500	1918005	MA15250	2499042
HC12800	1199008	JA20550	1919002	MA15350	2499043
HC13950	1118001	JA20800	1918004	MA15850	2410004

This listing shows parts that are similar in physical interchangeability and function. Cross reference lists should not be used as application guides. Please refer to the proper listing in the applications section for specific make and model recommendations.

TRP		TRP		TRP	
TRP Number	Kysor Number	TRP Number	Kysor Number	TRP Number	Kysor Number
MA15950	2411004	MC16100	1799013	NA15150	1612012
MA16100	2412005	MC16150	1799015	NC10100	1617005
MA16250	2499069	MC16350	1718006	PA00930	1514007
MA16450	2412010	MC16400	1612006	PA01250	1514017
MA16550	2412007	MC16750	1715008	PA12750	1515002
MA16650	2418003	MC16800	1713007	PA12800	1513028
MA16700	2418001	MC16850	1713009	PA12850	1513027
MA16950	2414007	MC16900	1712007	PA12900	1513019
MA17050	2115003	MC16950	1712008	PA14200	BSP00011COND12
MA17100	2113005	MC1710	1712011	PA14250	BSP00011COND24
MA17150	2113016	MC56360	3199022	PA14300	1575001
MA17200	2113007	MC64180	1799038	PA14350	1575002
MA17700	2199067	MC69510	1799045	PA14500	1599005
MA29870	4099189	MC83310	1799039	PA14800	3475027
MA31530	2499021	MC83360	1799040	PA15600	1512002
MA51400	2499068	MC83460	1799025	PA15650	1512003
MA70880	2499081	MC83470	1799026	PA15700	1599011
MA72540	2499149	MC83490	1799027	PA37001	1517021
MA88-S0	2499104	MC84150	1799037	PA50080	1514022
MA91720	2499078	MC84280	1799041	PA62272	1512027
MA97250	2499075	MC84330	1799028	PA79065	1518006
MC03800	1799047	MC84420	1799029	PA79086	1513033
MC03830	1799033	MC84490	1799030	PA79105	1512025
MC03880	1799064	MC84530	1799052	PA79120	1519004
MC03900	1799021	MD10150	2799084	PA79125	1513032
MC03990	1799034	ME10500	4399076	PA79150	1511023
MC04060	1799024	NA10050	1614003	PA79400	1519003
MC10050	1714005	NA10150	1617007	PB12000	1513011
MC10200	1717006	NA10200	1614002	PB12150	1513008
MC10250	1717008	NA10300	1614005	PB12200	1513017
MC10300	1714004	NA10400	1699002	PB12650	1512001
MC10450	1799007	NA10450	1614008	PB12750	1518010
MC10550	1714006	NA10500	1699004	PB12800	1518011
MC10850	1799005	NA10600	1614009	PB13050	1511007
MC11300	1717004	NA10900	1614004	PB13150	1512005
MC11350	1714007	NA11500	1614006	PB13200	1515003
MC11650	1717002	NA11900	1615003	PB13300	1515004
MC13400	1713003	NA12650	1613003	PB13300	1517012
MC13450	1713001	NA12700	1613002	PB13400	1515006
MC13500	1713004	NA12750	1613001	PB13650	1518012
MC13550	1713005	NA12800	1613005	PB13900	1599014
MC13650	1717005	NA12850	1613006	PB13950	1599015
MC13750	1718001	NA12900	1613007	PB14000	1599119
MC13900	1799014	NA12950	1617006	PB15050	1513001
MC15900	1712004	NA13000	1618005	PB15300	1518008
MC15950	1799010	NA13050	1618002	PB15350	1518009
MC16000	1799011	NA14950	1615011	PB15400	1510020
MC16050	1799012	NA15000	1612002	PB15450	1515013

Truck Air

This listing shows parts that are similar in physical interchangeability and function. Cross reference lists should not be used as application guides. Please refer to the proper listing in the applications section for specific make and model recommendations.

TRP		TRP		TRP	
TRP Number	Kysor Number	TRP Number	Kysor Number	TRP Number	Kysor Number
PB15500	1515014	UE12050	3199045	VH10650	2899005
PB15600	1512010	UE12100	3199053	VH10750	2899025
PB15650	1512011	UE12150	3199032	VH10800	1409012
PB1570	1515015	UE12200	3199031	VH10900	2899003
PB15750	1515016	UE12250	3199025	VH10950	2899004
PB15800	1515017	UE12300	3199027	VH11000	2899006
PB16000	1511019	UE12400	3199055	VH11050	1409018
PB16050	1513029	UE42100	3199050	VH11100	1409017
PB16100	1515018	UE57760	3199068	VH11150	2899032
PB16500	1512015	UE58010	3199071	VH11200	2899033
PB37220	1517015	UE58280	3199072	VH11250	1409013
PB40150	1517011	UE58360	3199064	VH11300	1409016
PB60420	1517014	UE58640	3199073	VH11400	2899031
PB60970	1517016	UE58930	3199066	VH11450	2899028
RD10201	1099306	UE63350	3199095	VH11500	1409004
RD10601	1099325	UE63540	3199065	VH11550	1409005
RD10640	1099322	UE63980	3199074	VH11600	2799202
RD10651	1099305	UE64030	3199078	VH11650	1409002
RD10651	1099327	UE64040	3199079	VH11800	1409003
RD10702	1099319	UE64260	3199018	VH11850	1409009
RD10801	1099328	UE64480	3199069	VH12000	2899029
SR2000064	1814006	UE64490	3199070	VH12200	1409014
TB10050	2799098	UE71190	3199080	VH12350	2899016
TB10100	2799099	UE73530	3199083	VH12650	2899015
TB10250	2799095	UE73580	3199009	VH12700	1407010
TB10300	2799097	UE73640	3113009	VH12950	2999049
TG10250	4399084	UE73650	3113008	VH13050	1409007
UB10800	4399072	UE73670	3113007	VH13100	1409006
UB11200	4399055	UN10200	3475006		
UB12300	4399053	UN10250	1599100		
UB13800	4399054	UN10800	3375022		
UC12250	2999005	UN10900	BSP00009AC24		
UC12800	2999003	UN22050	3399022		
UC12850	2999004	UN62580	3399055		
UC12950	2999007	VA10750	2999019		
UC13000	2999006	VA11650	3099067		
UC13250	2999021	VA11700	3099068		
UC13400	2999026	VC10900	1899022		
UC13550	2999009	VC20000	2899100		
UC13900	2999075	VE10250	2999034		
UC14400	2999102	VE10300	2999041		
UC14450	2999103	VE10550	2999030		
UC14550	2999085	VG10850	2799102		
UC14600	2999086	VH10200	2799201		
UD10250	4399050	VH10250	2799200		
UD10850	4399016	VH10500	2899030		
UE08000	3199060	VH10550	2899001		
UE11000	4399068	VH10600	2899002		

TRUCK AIR	
Truck Air Number	Kysor Number
01-2002	1075034
01-2005	1075017
05-2006	1675003
10-2007	2499119
10-2010	2499006
01-2012	1099015
10-2013	2412015
01-2014	1099002
05-2015	1675006
01-2016	1017001
11-2016	2213002
05-2017	1675002
11-2017	2299013
11-2018	2213001
11-2018	2213006

This listing shows parts that are similar in physical interchangeability and function. Cross reference lists should not be used as application guides. Please refer to the proper listing in the applications section for specific make and model recommendations.

TRUCK AIR	
Truck Air Number	Kysor Number
11-2019	2299005
01-2021	1014002
01-2021	1099013
11-2023	2299012
01-2025	1099049
11-2028	2299001
11-2030	2211007
01-2033	1075009
11-2033	2199008
11-2034	2199003
11-2035	2199010
11-2039	2114001
11-2039	2114002
11-2042	2199036
54089	1401415
10-2057	1714004
11-2058	2275003
11-2060	2299019
11-2061	2299020
11-2062	2275001
11-2062	2299018
11-2063	2299017
04-2455	1511005
04-2460	1511007
04-2472	1511019
04-2478	1512028
04-2482	1511018
11-2600	2199009
11-2601	2112001
10-2602	2499002
11-2602	2199022
01-2603	1075006
10-2603	2499038
11-2604	2117001
01-2605	1099087
01-2607	1075011
01-2608	1011015
01-2608	1017003
01-2609	1012009
01-2610	1099007
11-2610	2199007
11-2610	2199104
11-2611	2199027
11-2613	2099005
01-2615	1099023
07-2616	1999011
10-2618	2499005
05-2622	1615003

TRUCK AIR	
Truck Air Number	Kysor Number
11-2622	2275012
10-2623	2417001
11-2624	2299003
11-2626	2299100
05-2627	1699002
11-2627	2299008
11-2630	2299033
05-2633	1615008
04-2644	1599119
11-2655	2217002
11-2656	2217001
10-2659	1717008
11-2662	2299035
11-2663	2213009
11-2663	2299031
02-3000	1399046
10-3000	2411005
12-3000	1899022
02-3001	1313005
02-3001	1380003
11-3002	2099003
11-3002	2099013
12-3002	1899015
02-3003	1399004
12-3003	1899014
11-3004	2099009
11-3004	2099023
02-3005	1312001
10-3005	2640701
10-3006	2499031
02-3007	1399017
01-3008	1099006
10-3009	2499053
01-3010	1015002
10-3010	2499052
10-3010	2640702
12-3010	1813001
01-3011	1099022
04-3011	1599100
10-3011	2640704
10-3012	2640703
11-3012	2275005
11-3013	2299006
02-3015	1399027
10-3015	2640705
11-3016	2114003
01-3020	1075012
02-3026	1313008

TRUCK AIR	
Truck Air Number	Kysor Number
01-3032	1099021
01-3040	1099029
11-3040	2099012
01-3043	1012015
01-3044	1099026
10-3050	2411003
11-3050	2199005
03-3051	1407008
11-3051	2175004
01-3052	1299001
11-3052	2175003
08-3053	1408013
11-3053	2199002
08-3054	1408014
11-3054	2175002
10-3055	2499045
11-3055	2199023
11-3056	2199006
11-3064	2199044
01-3065	1099050
08-3070	1409008
10-3070	2411007
11-3075	2399019
08-3076	1409010
11-3076	2399004
11-3076	2399022
11-3076	2399020
11-3078	2399018
01-3084	1099077
11-3084	2399005
10-3085	2413005
11-3085	2375001
01-3087	1099159
10-3090	2413006
11-3091	2399010
11-3093	2313001
11-3094	2399001
11-3094	2399003
11-3095	2399011
11-3096	2390001
02-3101	2799095
01-3105	1075022
02-3105	2799097
08-3139	1408010
08-3140	1408009
08-3149	1408015
08-3150	1408016
08-3151	1408053



Truck Air

This listing shows parts that are similar in physical interchangeability and function. Cross reference lists should not be used as application guides. Please refer to the proper listing in the applications section for specific make and model recommendations.

TRUCK AIR		TRUCK AIR		TRUCK AIR	
Truck Air Number	Kysor Number	Truck Air Number	Kysor Number	Truck Air Number	Kysor Number
08-3152	1408054	02-3434	1380009	03-3500	1412007
08-3155	1408020	02-3435	1380011	03-3501	1401408
03-3185	1403141	02-3438	1380012	03-3501	1410075
09-3206	2610010	02-3439	1380013	03-3512	1412006
09-3208	2610011	03-3444	1401123	03-3515	1401523
01-3210	1099126	03-3444	1410085	03-3530	1401495
09-3210	2610012	02-3450	1380014	03-3539	1403004
09-3212	2610013	02-3451	1380015	03-3636	1403100
01-3226	1099075	02-3464	1399041	03-3639	1403104
08-3249	1408002	03-3468	1401118	03-3642	1403101
08-3250	1408001	03-3468	1401384	03-3642	1403110
09-3312	1999202	03-3468	1412002	03-3643	1403163
09-3313	1999200	03-3468	1410072	03-3644	1403111
09-3331	2799039	03-3470	1401115	03-3645	1403015
09-3332	2799037	03-3470	1410016	03-3645	1403112
08-3355	1408043	03-3471	1401110	03-3646	1403105
08-3356	1408044	03-3471	1401116	03-3654	1403120
08-3359	1408047	03-3471	1412001	03-3673	1403119
08-3360	1408048	03-3480	1401135	03-3675	1403116
03-3400	1401391	03-3480	1410071	03-3680	1403114
03-3403	1401402	08-3481	1408024	03-3702	1401202
03-3403	1410097	08-3482	1408025	03-3702	1410047
03-3404	1401403	08-3483	1408022	03-3704	1401210
03-3404	1410060	08-3484	1408005	03-3704	1410051
03-3405	1410064	08-3484	1408023	03-3706	1401214
03-3405	1401484	03-3486	1401140	03-3707	1401217
03-3406	1401392	03-3486	1410065	03-3707	1410105
03-3407	1410037	03-3488	1401101	03-3708	1401206
03-3407	1401109	03-3488	1410063	03-3708	1410049
03-3410	1401104	03-3489	1401113	03-3708	1401357
02-3412	1380002	03-3489	1410039	03-3708	1410095
03-3414	1410068	08-3489	1408051	03-3709	1401225
03-3415	1401348	03-3490	1401108	03-3709	1410032
03-3416	1401107	03-3490	1410014	03-3712	1401204
03-3416	1410013	03-3490	1410040	03-3712	1410048
02-3418	1380006	03-3490	1401331	03-3713	1401219
03-3418	1401117	03-3490	1401375	03-3713	1410104
03-3418	1410041	08-3490	1408052	03-3714	1410052
02-3419	1312002	03-3491	1410035	03-3714	1401212
03-3419	1401330	03-3491	1401367	03-3717	1410055
03-3419	1410038	08-3491	1408034	03-3718	1401208
02-3420	1399008	03-3492	1401366	03-3718	1410050
03-3420	1401332	03-3492	1410034	03-3719	1401226
03-3422	1401111	08-3492	1408035	03-3719	1410033
03-3422	1410015	08-3493	1408030	03-3725	1401138
02-3426	1399005	08-3494	1408031	03-3729	1410061
02-3432	1380008	02-3496	1407029	03-3729	1401467
02-3433	1380010	03-3500	1401411	03-3736	1403125

This listing shows parts that are similar in physical interchangeability and function. Cross reference lists should not be used as application guides. Please refer to the proper listing in the applications section for specific make and model recommendations.

TRUCK AIR	
Truck Air Number	Kysor Number
03-3742	1403126
03-3742	1403132
03-3743	1403130
03-3746	1403129
03-3758	1411005
03-3765	1403136
03-3765	1403137
03-3766	1411007
03-3767	1411006
03-3768	1411010
03-3769	1411008
03-3771	1411011
03-3772	1411012
03-3773	1403138
03-3776	1403128
03-3781	1403150
03-3784	1401114
03-3784	1401373
03-3784	1410017
03-3784	1410043
03-3793	1403145
03-3793	1401525
03-3794	1403146
03-3798	1411009
03-3810	1401409
03-3810	1410076
03-3813	1401478
03-3822	1401436
03-3822	1410077
03-3823	1401429
03-3823	1410073
03-3834	1401503
03-4001	1407009
03-4005	1407001
03-4006	1407002
01-4007	1075031
01-4007	1099124
03-4008	1407004
01-4011	1099051
03-4014	1407005
09-4200	2799084
09-4250	2799085
09-4300	2799086
09-4350	2799087
08-4963	2612193
09-5062	2600013
09-5066	2610001
09-5068	2610002

TRUCK AIR	
Truck Air Number	Kysor Number
09-5070	2610003
09-5072	2610004
03-6511	1401326
03-6512	1401325
03-6531	1407034
03-6536	1407038
03-6536	1407042
03-6538	1407037
03-6539	1407036
09-7006	2630001
09-7008	2630002
09-7010	2630003
09-7012	2630004
08-8038	1408049
08-8040	1408050
08-8400	2899003
08-8401	2899006
08-8402	2899004
08-8410	1409017
08-8412	2899015
08-8432	2899024
08-8433	2899025
08-8437	2899027
08-8438	2899026
08-8490	2899001
08-8491	2899005
08-8492	2899002
08-8920	2899010
08-8942	2899014
01-0200	1099003
01-0201	1013015
01-0201	1099014
01-0401	1011016
01-0407	1011014
01-0409	1011003
01-0604	1099063
01-0608	1012010
01-0609	1012006
01-0610	1099064
01-0613	1012016
01-0810	1099003
01-0811	1099024
01-0812	1099011
01-0814	1013015
01-0814	1099014
01-0816	1013005
01-0818	1013004
01-0819	1013008

TRUCK AIR	
Truck Air Number	Kysor Number
01-0820	1013012
01-0821	1013013
01-1000	1099018
01-1001	1099020
01-1002	1014003
01-1003	1099092
01-1004	1099094
01-1006	1014005
01-1006	1014007
01-1205	1015007
01-1206	1015009
01-1401	1017004
01-1401	1017005
01-1405	1017006
01-1603	1018002
01-1608	1018003
01-1610	1019001
01-1611	1018006
01-1614	1018009
01-4007A	1099125
01-4009A	1099059
02-0802	1399013
02-0803	1313006
02-0806	1313002
03-0306	1401386
03-0410	1401106
03-0410	1410057
03-0420	1410067
03-0421	1401361
03-0421	1410058
03-0427	1401353
03-0427	1410059
03-0427S	1401442
03-0432	1401354
03-0432	1410082
03-0432	1401377
03-0433	1401399
03-0434	1401355
03-0434	1401364
03-0434	1410056
03-0435	1410012
03-0435	1401365
03-0436	1401433
03-0436	1410069
03-0437	1410044
03-0600	1401119
03-0600	1410091
03-0601	1401120



Truck Air

This listing shows parts that are similar in physical interchangeability and function. Cross reference lists should not be used as application guides. Please refer to the proper listing in the applications section for specific make and model recommendations.

TRUCK AIR		TRUCK AIR		TRUCK AIR	
Truck Air Number	Kysor Number	Truck Air Number	Kysor Number	Truck Air Number	Kysor Number
03-0601	1410006	03-0801	1410025	03-1603	1410024
03-0602	1410005	03-0802	1401407	03-1605	1401427
03-0602	1401121	03-0802	1410046	03-1605	1401443
03-0604	1401125	03-0803	1401133	03-1605	1410011
03-0604	1410018	03-0803	1410027	03-1607	1412005
03-0605	1401126	03-0804	1401389	03-1607	1401378
03-0605	1412003	03-0804	1410088	03-1608	1401362
03-0606	1401127	03-0805	1401422	03-1608	1410010
03-0606	1410092	03-0805	1412008	03-1611	1401122
03-0607	1410023	03-1001C	1401406	03-1611	1410008
03-0608	1401334	03-1001C	1410019	03-1611	1410029
03-0608	1401382	03-1002	1401416	03-1611	1401383
03-0609	1401346	03-1008	1401445	03-1612	1410083
03-0609	1410007	03-1200	1401397	03-1844	1401347
03-0609S	1401428	03-1200	1410028	03-1844	1410036
03-0610	1401339	03-1201	1401437	03-1844	1401450
03-0610	1401360	03-1201	1412009	03-1848	1401440
03-0610	1410026	03-1400	1410042	03-1848	1410093
03-0610S	1401410	03-1400	1406006	03-1859	1401401
03-0611	1401340	03-1401	1401404	03-1859	1410086
03-0611	1410094	03-1401	1410002	03-3002E	1411002
03-0612	1401341	03-1401S	1401435	03-3002E	1402002
03-0612	1401359	03-1402	1410084	03-3004E	1411001
03-0612	1412004	03-1402	1401374	03-3032E	1411014
03-0614	1401356	03-1403	1401342	03-3033E	1411013
03-0614	1410001	03-1403	1410004	03-3125A	1403005
03-0615	1401460	03-1403	1410070	03-3125AT	1403170
03-0616	1401396	03-1403S	1401423	03-3333E	1411015
03-0616	1410099	03-1403S	1412012	03-3334E	1411016
03-0617	1401418	03-1404	1401390	03-3418S	1401432
03-0617	1410100	03-1404	1410022	03-3440A	1410066
03-0618	1401438	03-1404S	1401413	03-3489A	1410062
03-0618	1412010	03-1405	1401405	03-3489A	1401455
03-0619	1401419	03-1405	1410003	03-3489A	1401485
03-0620	1401420	03-1405S	1401414	03-3536F	1403001
03-0620	1410101	03-1406	1401446	03-3702T	1401200
03-0621	1401421	03-1406	1412014	03-3708D	1410054
03-0621	1410074	03-1407	1401417	03-3708T	1401201
03-0622	1401425	03-1408	1401424	03-3708T	1410031
03-0622	1410102	03-1408	1410080	03-3708T	1401448
03-0627	1401501	03-1410	1401447	03-3718A	1401128
03-0627	1441001	03-1600	1401400	03-3718A	1410087
03-0627	1440002	03-1600	1410009	03-3718W	1401371
03-0627	1440003	03-1601	1401344	03-3777A	1403167
03-0627G	1441002	03-1601	1410020	03-3782G	1403147
03-0632	1440001	03-1602	1401380	03-3793B	1403169
03-0632G	1441003	03-1602	1410021	03-5016A	1407010
03-0801	1401426	03-1603	1401379	03-6536F	1407035

This listing shows parts that are similar in physical interchangeability and function. Cross reference lists should not be used as application guides. Please refer to the proper listing in the applications section for specific make and model recommendations.

TRUCK AIR	
Truck Air Number	Kysor Number
03-7003A	1407030
04-0413	1517008
04-0603	1512004
04-0604	1512007
04-0607	1512002
04-0608	1512003
04-0610	1512005
04-0613	1512015
04-0614A	1512010
04-0619	1512032
04-0620	1512029
04-0621	1512027
04-0623	1512025
04-0626	1512030
04-0820	1513011
04-0822	1513017
04-0827	1513008
04-0829	1513028
04-0830	1513029
04-0831	1513027
04-0837	1513035
04-0839	1513034
04-1000	1514007
04-1009	1514017
04-1009	1515017
04-1205	1515002
04-1214	1515006
04-1219	1515021
04-1221	1515019
04-1401	1517011
04-1417	1517014
04-1418	1517016
04-1422	1517019
04-1423	1517018
04-1601	1599005
04-1606	1518006
04-1610	1518009
04-1611	1518008
04-1616	1518010
04-1616A	1515022
05-0601	1612002
05-0610	1712012
05-0618	1612018
05-0619	1612011
05-0800	1613005
05-0807	1613007
05-0809	1613010
05-0810	1613011

TRUCK AIR	
Truck Air Number	Kysor Number
05-1006	1614003
05-1007	1699004
05-1008	1614004
05-1203	1615012
05-1402	1617011
05-1403	1617013
05-1403	1617014
05-1407	1617015
05-1408	1617010
05-1609	1618011
05-1612	1618012
06-3568M	1099153
07-0400A	1999030
07-0437F,G	1911013
07-0440A	1999013
07-0443A	1999004
07-0600A	1999203
07-0602A	1975004
07-0603A	1999037
07-0607A	1912014
07-0816A	1913012
07-0819A	1913011
07-1002A	1999012
07-1005A	1914005
07-1006A	1914004
07-1007A	1914006
07-1007A	1914008
07-1202A	1915005
07-1401	1917001
07-1602A	1918001
07-1603A	1918005
07-1605A	1919001
07-1606A	1919002
07-1607A	1918004
07-1609A	1919003
07-1826A	1910002
07-2003A	1999226
07-2005A	1999032
07-2011A	1975003
07-2603A	1999007
07-2604A	1999009
07-2604A	1999034
07-2610A	1999022
07-2618A	1915005
07-2619A	1999016
07-2620A	1999261
07-3006A	1999029
07-3053A	1999238

TRUCK AIR	
Truck Air Number	Kysor Number
07-3054A	1999229
07-3057A	1999272
07-3061A	1999232
07-3063A	1999223
07-3064A	1999236
07-5019A	1999040
07-5043A	1915002
07-5067A	1999234
07-5080A	1999220
08-3000BS	2610777
08-3001BS	2610778
08-3002BS	2610779
08-3003BS	2610780
08-3010B	2622705
08-3011B	2622706
08-3012B	2622707
08-3013B	2614022
08-3019BS	2610773
08-3027B	2620793
08-3061B	2621101
08-3141B	1408017
08-3421BS	2610901
08-3422BS	2610902
08-3423BS	2610903
08-3424BS	2610904
08-3477B	1408027
08-3478B	1408036
08-3479B	1408037
08-3480B	1408038
08-3491H	1408039
08-3492H	1408040
08-3962B	2621192
08-3963B	2621193
08-4061B	2612101
08-4062B	2612102
08-4961BS	2612191
08-4962BS	2612192
08-4963B	2622193
08-5021BS	2611205
08-5053BS	2611303
08-5061BS	2611201
08-5062BS	2611202
08-5063BS	2611203
08-5093BS	2611506
08-5461BS	2611151
08-5921BS	2611295
08-5961BS	2611191
08-5962BS	2611192



Truck Air

This listing shows parts that are similar in physical interchangeability and function. Cross reference lists should not be used as application guides. Please refer to the proper listing in the applications section for specific make and model recommendations.

TRUCK AIR		TRUCK AIR		TRUCK AIR	
Truck Air Number	Kysor Number	Truck Air Number	Kysor Number	Truck Air Number	Kysor Number
08-5963BS	2611193	10-0612	2499098	11-0835	2013005
08-6031B	2622401	10-0616	2113010	11-0836	2213013
08-6032B	2612502	10-0811	1713012	11-0840	2113014
08-6033BS	2612503	10-0820	2413003	11-0841	2113012
08-6034B	2612504	10-1005	1714007	11-0842	2113013
08-6061BS	2612201	10-1032	2117005	11-0843	2213007
08-6062BS	2612202	10-1042	2118004	11-0860	2313002
08-6063BS	2612203	10-1214	1715008	11-0860	2313003
08-6071BS	2612207	10-1215	1717011	11-1001	2214002
08-6074BS	2612209	10-1216	1715009	11-1004	2017001
08-6087B	2622403	10-1402	1717014	11-1050	2399009
08-6092BS	2612512	10-1409	1717012	11-1405	2299010
08-6432BS	2612552	10-1430	2115003	11-1408	2017002
08-6433B	2612553	10-1430	2117006	11-1408	2017004
08-6461BS	2612251	10-1432	2199066	11-1409	2217003
08-6462BS	2612252	10-1436	2199067	11-1416	2117004
08-6463BS	2612253	10-1438	2499118	11-1417	2114007
08-6464B	2612254	10-1614	1718009	11-1420	2217004
08-6931B	2612591	10-1639A	2418004	11-1601	2118001
08-6932BS	2612592	11-0202	2010010	11-1603	2318001
08-6933BS	2612593	11-0216	2299022	11-1605	2399006
08-6934B	2612594	11-0219	2299002	11-1607	2018001
08-6937BS	2612596	11-0220	2210001	11-1608	2013004
08-6961BS	2612291	11-0226	2099006	11-1611	2118002
08-6962BS	2612292	11-0601	2012001	11-1613	2318002
08-6963BS	2612293	11-0603	2012003	11-1639	2018006
08-6964BS	2612294	11-0612	2012005	11-1641	2118005
08-6973BS	2612297	11-0613	2012006	11-1650	2010009
08-6974BS	2612298	11-0616	2212001	11-1650	2099002
08-6975BS	2612296	11-0617	2212005	12-0211	1810003
08-6976BS	2612299	11-0620	2312001	12-0220	1810002
08-6992BS	2612598	11-0624	2212002	12-0410	1811001
08-6997BS	2611597	11-0626	2012007	12-0415	1899003
08-6998BS	2612510	11-0633	2112005	12-0416	1899002
08-7105B	2621606	11-0640	2212004	12-0418	1899021
08-7141B	2621651	11-0641	2112008	12-0437	1599014
08-7142B	2621652	11-0642	2112002	12-0610	1899026
08-7145B	2621656	11-0649	2312002	12-0616A	1812005
08-7195B	2621696	11-0650	2312003	12-0616A	1812010
09-5066SP	2610001-DS	11-0663	2112015	12-0617A	1812011
09-5068SP	2610002-DS	11-0800	2113001	12-0620A	1812006
09-5070SP	2610003-DS	11-0802	2113002	12-0621A	1812007
09-5072SP	2610004-DS	11-0804	2013003	12-0627A	1812013
10-0429	2499044	11-0813	2213010	12-0628A	1812014
10-0432	2411001	11-0814	2113003	12-0804A	1813007
10-0603	1712004	11-0817	2213003	12-0805	1813008
10-0607A	1712011	11-0819	2213016	12-1603A	1813013
10-0611	2412005	11-0834	2213014	12-1603A	1818006

This listing shows parts that are similar in physical interchangeability and function. Cross reference lists should not be used as application guides. Please refer to the proper listing in the applications section for specific make and model recommendations.

TRUCK AIR	
Truck Air Number	Kysor Number
12-1607A	1815001
12-1608A	1818008
12-2014A	1899048
12-2612A	1899005
12-3013A	1899008
12-3016A	1812004
12-3016A	1899020
12-3016A	1899038
12-3017A	1875003
12-3020A	1813002
12-3022A	1817001
12-3027A	1899041
12-3029A	1899031
12-3036A	1899053
15-1600	1618002
15-3008	2630014
15-3009	2630015
15-3013	2630016
15-3200A	2610005
15-3231	2610006
15-3242	2630013
16-3007	4399068
16-3033	2999051
16-3034	1409009
16-3034	1409014
16-3037	2799102
16-3038	2799101
16-3045	1408006
16-3045	1409002
16-3046	1409018
16-3049	2899029
16-3071	2999019
16-3143	2899028
16-3145	1409004
16-3146	1409005
16-3147	2899107
16-3148	2899033
16-3149	2899032
16-3153	1409011
16-3157	1409012
16-3158	1409003
16-3406	2999032
16-3409	2999036
16-3414	2999033
16-3430	2999031
16-3434	2899030
16-3443	1409006
16-3444	1409007

TRUCK AIR	
Truck Air Number	Kysor Number
16-3445	1409013
16-3446	1409016
16-3515	2999049
16-4018	2799031
16-4075	2799032
16-4090	2999075
16-4092	2799110
16-4093	2799107
16-4093	2799200
16-4106	2799217
16-4107	2799020
16-4108	2799116
16-4108	2799218
16-4109	2799021
16-4110	2799117
16-4111	2799022
16-4112	2799118
16-4113	2799023
16-4122	2799019
16-4124	2799027
16-4126	2799030
16-4127	2799028
16-4128	2799029
16-4142	2799201
16-4204	2799013
16-4206	2799015
16-4206	2799115
16-4208	2799016
16-4210	2799017
16-4212	2799018
16-4224	2799025
16-4224	2799026
16-4243	2799024
16-4248	2799105
16-4249	2799208
16-4250	2799014
16-4252	2799211
16-4253	2799212
16-4257	4399136
16-4257B	4399135
16-4263	2712001
16-4264	2712002
16-4265	2712003
16-4266	2712004
16-4267	2712005
16-4271	2712006
16-4272	2712007
16-4299	2799202

TRUCK AIR	
Truck Air Number	Kysor Number
16-6011	2899100
17-3000	3099047
17-3082	3099054
17-3410	3099065
17-3415	3099042
17-3415	3099062
17-3422	3099007
18-0600	1199023
18-0611	2512007
18-0630	3112005
18-0631	3112006
18-0632	3112007
18-0633	3112009
18-0634	3112010
18-0635	3112001
18-0636	3112012
18-0643	2512003
18-0645	3199025
18-0800	1113002
18-0802	1113001
18-0805	1113003
18-0821	3113003
18-0822	3113001
18-0823	3199020
18-0824	3113004
18-0825	3113006
18-0827	3113005
18-0828	3199085
18-1000	1199006
18-1004	1199007
18-1032	3114003
18-1230	3199030
18-1231	3115001
18-1231M	3115001
18-1421	3114001
18-1423	3117001
18-1424	3199021
18-1425	3117002
18-1426	3199034
18-1612	3118002
18-1613	3118003
18-1614	3119001
18-2003	1117002
18-2010	1275003
18-2061	3175001
18-2063	3175002
18-2070	2575003
18-2072	2575006

UAC

This listing shows parts that are similar in physical interchangeability and function. Cross reference lists should not be used as application guides. Please refer to the proper listing in the applications section for specific make and model recommendations.

TRUCK AIR	
Truck Air Number	Kysor Number
18-2073	2599025
18-2200	1199009
18-2260	2599029
18-2600	1199010
18-2601	1199015
18-2603	1199008
18-2614	1199001
18-2616	1115001
18-2617	1199003
18-2618	1115003
18-2624	1117003
18-2640	3299004
18-2641	3299020
18-2660	2575004
18-2662	2575008
18-2666	2599044
18-2673	3199041
18-2681	3199052
18-2693	3199015
18-2695	3199033
18-3000	1199035
18-3036	2599020
18-3116	3199016
18-5651	1407012
18-5659	1407024
18-5661	1407025
18-5662	1407026
18-5664	1407027
19-2600	2199019
19-2603	1899011
31-3002E	1999221

UAC	
UAC Number	Kysor Number
BM 0105	1099003
BM 0105EC	1099003
BM 0205	1011016
BM 0267	1011003
BM 0267C	1011003
BM 0275	1011014
BM 0321	1099006
BM 0321	1099051
BM 0350	1012009
BM 0351	1099038
BM 0354	1075031
BM 0356	1075006

UAC	
UAC Number	Kysor Number
BM 0357	1099007
BM 0368	1099013
BM 0370	1099024
BM 0385	1099015
BM 0389	1017003
BM 0393	1011015
BM 0775	1017001
BM 3304	1099011
BM 3510	1099002
BM 3510C	1099002
BW 0900	1199009
BW 2097	1199009
BW0031	1199013
CL 0697	1399027
CL 1118HC	1313005
CL 1136	1399005
CL 1170	1312001
CL 1172	1399046
CN 40563PFC	1513029
CO 4028C	1410075
CO 4034C	1410076
CO 4052C	1410077
CO 4075C	1401428
CO 4082C	1410099
CO 4083C	1410100
CO 4084C	1410101
CO 4087C	1410080
CO 4088C	1410102
CO 4304C	1410082
CO 4305C	1410056
CO 4306C	1410001
CO 4307C	1410074
CO 4308C	1410073
CO 4318C	1410060
CO 4326AP	1401437
CO 4326AP	1412009
CO 4332C	1410086
CO 4362C	1410093
CO 4418C	1401389
CO 4418C	1410088
CO 4420C	1410031
CO 4432C	1401390
CO 4433C	1401342
CO 4433C	1410004
CO 4434C	1410032
CO 4435C	1410033
CO 4460C	1401357
CO 4460C	1410095

UAC	
UAC Number	Kysor Number
CO 4467C	1401402
CO 4467C	1410097
CO 4468C	1410061
CO 4469C	1410057
CO 4474C	1410058
CO 4475C	1401126
CO 4475C	1412003
CO 4485C	1410007
CO 4486C	1401353
CO 4486C	1410059
CO 4488C	1410008
CO 4492C	1410092
CO 4494C	1410011
CO 4497C	1410012
CO 4506C	1410062
CO 4508C	1410063
CO 4510C	1410064
CO 4516C	1410065
CO 4536C	1410066
CO 4600C	1410034
CO 4602C	1410067
CO 4617C	1410035
CO 4618C	1410036
CO 4627C	1410014
CO 4628C	1410068
CO 4637C	1410037
CO 4643C	1410038
CO 4645C	1401110
CO 4645C	1412001
CO 4652C	1410039
CO 4653C	1410069
CO 4659C	1410083
CO 4663C	1410040
CO 4666C	1410041
CO 4667C	1401371
CO 4672C	1401118
CO 4672C	1412002
CO 4687C	1410091
CO 4695C	1410018
CO 4700C	1410020
CO 4705C	1410042
CO 4711C	1410043
CO 4713C	1410070
CO 4717C	1401380
CO 4717C	1410021
CO 4739C	1410084
CO 4745C	1410085
CO 4753C	1410044

This listing shows parts that are similar in physical interchangeability and function. Cross reference lists should not be used as application guides. Please refer to the proper listing in the applications section for specific make and model recommendations.

UAC	
UAC Number	Kysor Number
CO 4762C	1410087
CO 4776C	1410023
CO 4778C	1401379
CO 4816C	1410046
CO 4820C	1410094
CO 4821C	1401341
CO 4821C	1412004
CO 4823C	1412005
CO 4823C	1401378
CO 4860C	1410047
CO 4862C	1410048
CO 4864C	1410049
CO 4866C	1410050
CO 4868C	1410051
CO 4870C	1410052
CO 4874C	1410054
CO 4875C	1410105
CO 4877C	1410104
CO 4881C	1410055
CO 4896C	1410029
CO 4896C	1401383
CO 4896C	1401375
CO 7819C	1410071
CO 7822C	1410072
CO4304	1401377
CO4424C	1410002
CO4425C	1410003
CO4469C	1401106
CO4471C	1410005
CO4471C	1401121
CO4472	1401359
CO4477C	1401120
CO4477C	1410006
CO4485C	1401346
CO4488C	1401122
CO4490C	1401400
CO4490C	1410009
CO4492	1401127
CO4493C	1401362
CO4493C	1410010
CO4497C	1401365
CO4617C	1401367
CO4618C	1401347
CO4626C	1401107
CO4626C	1410013
CO4637C	1401109
CO4646C	1401111
CO4646C	1410015

UAC	
UAC Number	Kysor Number
CO4647C	1401115
CO4647C	1410016
CO4660C	1401114
CO4660C	1410017
CO4687	1401119
CO4696C	1410019
CO4700C	1401344
CO4739	1401374
CO4759C	1410022
CO4762	1401128
CO4776C	1401399
CO4778C	1410024
CO4781	1401334
CO4781	1401382
CO4815C	1410025
CO4819C	1401339
CO4819C	1410026
CO4820	1401340
CO4822C	1401133
CO4822C	1410027
CO4875C	1401217
CO4883C	1401397
CO4883C	1410028
CO7822C	1401384
EV 1031	1615003
EV 1032	1615003
EV 940084PF	1617015
EX 1000C	1899003
EX 3000	1899002
EX 3000C	1899002
EX 5151	1810003
EX 5151C	1810003
EX 529497C	1812013
EX 5296	1811001
EX 5296C	1811001
EX 5378	1810002
EX 5378C	1810002
FT 0058C	2622193
FT 0062C	2621101
FT 0071	2621192
FT 0072C	2621193
FT 0168C	1408034
FT 0169C	1408035
FT 0184	1408002
FT 0185	1408054
FT 1102C	2612102
FT 1103C	2612103
FT 1122	2612192

UAC	
UAC Number	Kysor Number
FT 1122C	2612192
FT 1123C	2612193
FT 1955C	1409008
FT 2024C	1408013
FT 2025C	1408014
FT 2031C	1408010
FT 2032C	1408009
FT 2037C	1408024
FT 2038C	1408025
FT 6101AC	2610777
HV 1006C	2411003
HV 2211C	2411004
OR 0008G-10	2799013
OR 0011-10	2799015
OR 0060G-10	2799020
OR 0080G-10	2799021
OR 1011G-10	2799115
OR 1013G-10	2799116
OR 1015G-10	2799017
OR 1015G-10	2799117
OR 1017G-10	2799018
OR 1017G-1000	2799118
OR 1113G-10	2799023
RD 10065C	1999234
RD 10092C	1999232
RD 10095C	1999223
RD 10160C	1911013
RD 10161C	1999030
RD 10999C	1913012
RD 1612C	1910002
RD 2159C	1999004
RD 7125C	1999226
RD 8256C	1999013
RE 4124	2010009
RE 4137C	2011001
RE 4420	2010010
SW 1094	2399019
SW 1122C	2299001
SW 1122GE	2299001
SW 2000	2199002
SW 2335	2010007
SW 2400C	2199027
SW 2450	2199008
SW 2650	2099005
SW 2962C	2210001
SW 5203C	2299005
SW 6010C	1812004
SW 6490C	2375001

Volvo

This listing shows parts that are similar in physical interchangeability and function. Cross reference lists should not be used as application guides. Please refer to the proper listing in the applications section for specific make and model recommendations.

UAC	
UAC Number	Kysor Number

SW 6561	2399004
SW 6561	2399022

VALEO	
Valeo Number	Kysor Number

1210340	1518010
10325011	1403001
10325021	1403004
10325077	1403015
10352080	1403153
10352083	1403161
10352110	1403162
10354070	1403158
10354120	1403159
10355011	1403100
10355015	1403101
10355017	1403102
10355019	1403103
10355021	1403104
10355030	1403105
10355036	1403107
10355043	1403163
10355047	1403108
10355056	1403110
10355057	1403111
10355075	1403114
10355082	1403116
10355088	1403117
10355120	1403119
10355121	1403120
10355210	1403123
10356011	1403125
10356015	1403126
10356017	1403127
10356021	1403128
10356030	1403129
10356043	1403130
10356056	1403132
10356120	1403136
10356121	1403137
10356122	1403138
10356131	1403166
10356222	1403140
10356234	1403141
10356282	1403167
10356409	1403170

VALEO	
Valeo Number	Kysor Number

10357240	1403150
10357242	1403147
10357244	1403145
10357246	1403146
10367248	1403168
10367260	1403169
10368500	1411005
10368510	1411006
10368520	1411007
10368530	1411008
10368540	1411009
10368550	1411010
10368560	1411011
10368570	1411012
84000484	1407037
84000486	1407038
103-56577	1403171
212-05450	1407036
212-06410	1407034
212-06420	1407035
212-15420Y	1407042
212-16430Y	1407044
435-55063	1403112
T1009876J	4099075
T1009880K	3199084
VCC T1001838L	1812014

VOLVO	
Volvo Number	Kysor Number

37328	2575007
37351	3175002
40997	1999200
56507	1407029
63385	2075001
84104	2299032
96331	2275003
176100	1099006
176101	1099020
176102	1017003
176113	1099013
176114	1099024
176115	1011016
176118	1075051
176118	1099015
176123	1017001
176130	1012009

VOLVO	
Volvo Number	Kysor Number

176131	1099021
176132	1099023
176136	1014002
176139	1099018
176140	1099063
176143	1115003
176146	1199001
176149	1199003
176150	1115001
176151	1199009
176152	1117002
176158	1515002
176159	1617006
176160	1614005
176161	1613005
176162	1613001
176164	1617007
176165	1614002
176167	1699002
176175	1615003
176180	1615008
176183	1699013
176186	1817001
176189	1899026
176190	1899008
176191	1813001
176194	1713001
176196	1717005
176198	1717006
176199	1717008
176200	1799007
176213	1715002
176215	1714006
176217	2213010
176218	2213003
176219	2299013
176220	2213002
176225	2299008
176226	2299010
176227	2299001
176228	2299006
176229	2213001
176243	1919001
176245	1917001
176246	1999022
176247	1914004
176248	1919002
176252	2099013

This listing shows parts that are similar in physical interchangeability and function. Cross reference lists should not be used as application guides. Please refer to the proper listing in the applications section for specific make and model recommendations.

VOLVO		VOLVO		VOLVO	
Volvo Number	Kysor Number	Volvo Number	Kysor Number	Volvo Number	Kysor Number
176253	2017001	176380	1408046	176483	3299031
176258	2175002	176381	1408025	176484	3299030
176259	2113002	176382	1408037	176485	3212002
176260	2113001	176383	1408038	176486	3299037
176265	2199023	176384	1408035	176487	3299029
176266	2112001	176385	1408036	176488	3299034
176267	2199009	176386	1408024	176489	3299032
176269	1813002	176387	1408034	176491	1299017
176277	2413003	176388	1408052	176492	1299014
176278	2413006	176389	1408049	176494	1299015
176279	2117005	176390	1408050	176495	1275005
176281	2417001	176391	1408023	176496	1299009
176284	1899018	176392	1408030	176497	1299013
176286	1899020	176393	1408054	176499	1299021
176290	2099023	176396	1408015	176500	1299010
176292	2199022	176397	1408016	176501	1299016
176298	2199003	176398	1408053	176509	2622651
176299	2199021	176399	1408027	176514	2621651
176302	3299045	176401	2621656	176515	2621652
176303	3299047	176410	2621692	176526	1408013
176304	3299048	176411	2621693	176527	1408014
176305	3299049	176412	2621694	176528	1408020
176306	3299046	176413	2621696	176530	1408048
176311	1999016	176426	2621603	176531	1408017
176328	1399027	176427	2621604	176532	1408047
176330	1399004	176428	2621606	176533	2599071
176334	1614009	176431	1075022	176534	2599020
176335	1617005	176433	1099080	176535	2599015
176339	1614008	176435	1099051	176536	1409010
176340	1614006	176436	1099047	176537	2899015
176344	1717004	176437	1099034	176539	2899014
176347	1717002	176438	1099050	176550	2899010
176348	1799014	176440	1099029	176551	2899016
176349	1715007	176442	1099032	176552	1409014
176351	1401332	176443	1075031	176562	2599043
176353	1401135	176444	1099072	176564	1117003
176353	1410071	176447	1199024	176566	2799202
176355	1999037	176448	1199043	176568	1875003
176357	1999029	176450	1199049	176569	2099003
176367	1408031	176451	1199044	176572	1015002
176368	1408043	176453	1199045	176573	2199002
176369	1408002	176455	1399046	176575	1999011
176370	1408001	176464	1399014	176577	1812004
176371	1408044	176469	1399045	205185	1075005
176372	2899029	176475	2599038	1091071	2012006
176373	1408051	176477	2599037	1091418	4399050
176378	1408022	176478	2599036	1092319	1018002
176379	1408045	176482	3299033	1093287	2099015

Volvo

This listing shows parts that are similar in physical interchangeability and function. Cross reference lists should not be used as application guides. Please refer to the proper listing in the applications section for specific make and model recommendations.

VOLVO		VOLVO		VOLVO	
Volvo Number	Kysor Number	Volvo Number	Kysor Number	Volvo Number	Kysor Number
1110156	2199006	3916180	1410016	3949267	1113002
1110785	2399019	3916660	2499002	3949271	1810003
1112772	3299004	3916676	1618002	3949274	1199008
1115284	2018001	3918203	1409008	3949275	2413004
1117232	2399010	3918217	2113003	3949279	1999012
1117985	1403001	3918231	2411005	3949282	2313001
1118387	1718001	3918233	3299004	3949283	2013003
1118400	2650005	3918261	1915005	3949284	2313002
1118402	2650004	3918587	4399068	3949285	2213007
1118408	2399006	3918641	4399091	3949287	2213009
1118409	2799210	3918759	2650006	3949288	2299035
1118416	2318001	3918760	2650007	3949289	2199008
1118417	1199007	3934718	1918009	3949290	2099005
1118418	2599041	3945305	4399126	3949291	2399003
1118419	2599070	3945679	1403015	3949293	1399013
1118422	2118001	3946673	1899041	3949294	1313006
1118424	2118002	3946674	1718006	3949296	1313002
1118425	2114003	3946686	1018006	3949297	2099002
3093403	1714004	3946690	2418003	3949298	2210001
3093404	1014005	3946692	2418001	3949300	2299002
3093406	1199023	3947415	1618005	3949301	2199027
3093407	1899003	3947416	1018003	3949303	1410036
3093408	2620793	3947421	1118001	3949306	1714007
3093410	2114004	3947425	2650002	3949307	1614004
3093411	2199007	3947426	2650003	3949308	1014003
3093419	2212001	3947428	2799116	3949309	2299005
3093421	2212002	3947429	2799015	3949311	2399009
3093422	2399005	3947430	2799117	3949312	1313005
3093423	2199058	3947442	4399006	3949313	1399005
3093424	1407010	3948138	1408005	3949314	2099006
3093425	1013004	3948139	1408006	3949315	2114002
3093563	1408009	3948704	1401104	3949320	1409011
3093564	1408010	3948712	3118002	3949321	1409012
3093574	1811001	3949126	1799005	3949322	2610001
3093575	1899022	3949127	1713005	3949323	2610002
3093576	1810002	3949132	1999203	3949324	2610003
3093577	1899021	3949133	2013004	3949325	2610004
3093578	1899002	3949134	2312001	3949334	2622551
3093838	2575024	3949135	2313003	3949362	2622401
3105089	1099011	3949250	1713004	3949364	2622403
3105091	1175002	3949251	1713003	3949381	2610005
3133727	2199005	3949255	1613006	3949382	2610006
3134241	2099004	3949256	1613002	3949389	1013005
3135226	2218002	3949257	1613003	3949390	1199006
3915962	2318002	3949262	1099007	3949391	1113003
3915964	1718008	3949263	1099022	3949393	1614003
3916157	1299001	3949265	1017004	3949394	1699004
3916180	1401115	3949266	1099002	3949395	1613007

This listing shows parts that are similar in physical interchangeability and function. Cross reference lists should not be used as application guides. Please refer to the proper listing in the applications section for specific make and model recommendations.

VOLVO		VOLVO		VOLVO	
Volvo Number	Kysor Number	Volvo Number	Kysor Number	Volvo Number	Kysor Number
3949397	1899005	3949576	2899006	21349570	1412011
3949397	1812016	3949577	1409013	21349573	1401443
3949399	1714005	3949578	1409016	21349573	1412013
3949456	2899100	3949579	2899031	21814392	1515022
3949461	2799200	3949580	1409004	22529912	4099207
3949462	2799201	3949581	1409005	22529916	4499095
3949469	2621192	3949582	2899032	25164012	1515015
3949470	2622193	3949583	2899033	25170652	1515014
3949472	2621193	3949584	1409017	82733985	1918005
3949473	2621101	3949585	1409018	84203770	4499115
3949477	2799013	3949586	2899003	84701226	4099150
3949478	2799014	3949589	2899028	85100139	1399041
3949480	2799115	3949850	1402002	85100164	1099014
3949481	2799019	3949886	1099064	85100253	2999051
3949483	2799016	8022507	1401107	85100261	2630016
3949485	2799017	8022509	1518008	85100262	2630005
3949486	2799118	8074693	1518011	85100263	2630006
3949487	2799018	8080058	1401344	85100264	2630007
3949488	2799020	8080058	1410020	85100265	2630008
3949489	2799021	8082268	1401400	85100271	2630009
3949490	2799022	8082268	1410009	85100272	2630010
3949491	2799023	8082270	1410021	85100273	2630011
3949492	2799024	8157100	1518012	85100274	2630012
3949493	2799025	8164786	1518009	85100275	2630013
3949494	2799026	8164872	1401108	85100276	2630014
3949495	2799027	8167882	2218022	85100277	2630015
3949496	2799028	8173627	1407005	85100278	2630001
3949497	2799029	8177089	1401114	85100279	2630002
3949498	2799030	8177090	1401115	85100280	2630003
3949499	2799031	8889022	1312001	85100281	2630004
3949550	2799098	20370291	1401375	85100282	2632201
3949551	2799099	20370293	1401334	85100283	2632206
3949552	2799100	20370293	1410083	85100284	2632202
3949553	2799101	20395054	1412005	85100285	2632207
3949554	2799102	20395054	1401378	85100286	2632203
3949555	2799103	20407205	1918004	85100287	2632208
3949557	2799095	20435801	3118003	85100288	2632204
3949558	2799097	20443814	2118005	85100289	2632501
3949560	1409002	20443826	2018006	85100290	2632502
3949562	1409003	20443846	1618011	85100291	2632503
3949563	1409009	20443850	1818006	85100292	2632506
3949569	2899030	20461065	1518010	85100293	2632504
3949570	2899001	20501067	1401362	85100294	2632251
3949571	2899002	20501067	1410010	85100295	2632256
3949572	2899005	20501069	1410011	85100296	2632252
3949573	2899024	20721587	1401437	85100297	2632257
3949574	2899025	20721587	1412009	85100298	2632253
3949575	2899004	21349570	1401444	85100299	2632258

Volvo

This listing shows parts that are similar in physical interchangeability and function. Cross reference lists should not be used as application guides. Please refer to the proper listing in the applications section for specific make and model recommendations.

VOLVO		VOLVO		VOLVO	
Volvo Number	Kysor Number	Volvo Number	Kysor Number	Volvo Number	Kysor Number
85100300	2632254	85100435	2631596	85100496	2631507
85100301	2632291	85100436	2631597	85100497	2631591
85100302	2632296	85100437	2630721	85100498	2631592
85100303	2632292	85100438	2630722	85100500	2631593
85100304	2632297	85100439	2632210	85100527	1403015
85100305	2632293	85100440	2632191	85100539	1403100
85100306	2632298	85100441	2632196	85100543	1403104
85100307	2632294	85100442	2632192	85100544	1403105
85100308	2632591	85100443	2632193	85100548	1403114
85100309	2632592	85100444	2632197	85100549	1403117
85100310	2632596	85100445	2632151	85100551	1403119
85100311	2632593	85100446	2632156	85100559	1403125
85100312	2632597	85100447	2632152	85100563	1403129
85100313	2632594	85100448	2632157	85100576	1575001
85100314	2632209	85100449	2632153	85100578	1575002
85100315	2632402	85100450	2632158	85100865	1401111
85100317	2632403	85100451	2632101	85100865	1410015
85100318	2632406	85100452	2632106	85100866	1401117
85100319	2632493	85100453	2632102	85100867	1401118
85100320	2632494	85100454	2632107	85100867	1412002
85100321	2632211	85100455	2632103	85100868	1401119
85100322	2632212	85100456	2632108	85100868	1410091
85100323	2632213	85100457	2632104	85100869	1410018
85100324	2632214	85100458	2632110	85100870	1401120
85100325	2631301	85100459	2632111	85100871	1401121
85100326	2631302	85100460	2632112	85100872	1401122
85100327	2631303	85100461	2632299	85100887	1401116
85100328	2631306	85100462	2631299	85100998	2114001
85100329	2631304	85100463	2631209	85101003	1299007
85100330	2631391	85100464	2632598	85101005	3199045
85100331	2631392	85100465	2631201	85101009	3199032
85100332	2631393	85100466	2631206	85101010	3199031
85100333	2630901	85100467	2631202	85101011	3199025
85100334	2630902	85100480	2631203	85101012	3199027
85100335	2630903	85100481	2631207	85101013	3199054
85100336	2630906	85100482	2631204	85101014	3199055
85100337	2630907	85100483	2631291	85101015	1099033
85100338	2630908	85100484	2631296	85101016	1099030
85100339	2630909	85100485	2631292	85101017	1099052
85100340	2630910	85100486	2631297	85101018	1099053
85100341	2630701	85100487	2631298	85101019	1199038
85100342	2630702	85100488	2631294	85101022	1799010
85100343	2630703	85100489	2631251	85101023	1799011
85100430	2630704	85100490	2631256	85101024	1799012
85100431	2630791	85100491	2631501	85101025	1799013
85100432	2630792	85100492	2631502	85101026	1799016
85100433	2630793	85100494	2631503	85101027	1799015
85100434	2630794	85100495	2631506	85101028	2499068

This listing shows parts that are similar in physical interchangeability and function. Cross reference lists should not be used as application guides. Please refer to the proper listing in the applications section for specific make and model recommendations.

VOLVO		VOLVO		VOLVO	
Volvo Number	Kysor Number	Volvo Number	Kysor Number	Volvo Number	Kysor Number
85101029	2499069	20826-0003	1899011	BSM1000021997	2660018
85101275	1015006	60009-5023	1099004	BSM1000023045	4099130
85103393	3212005	60010-5001	1199010	BSM1000025409	4099167
85103394	1012006	60010-5013	1199051	BSM1000040429	4099114
85103396	1012010	60012-5009	2799037	BSM1000041921	4099121
85103401	2512003	60018-5002	2499038	BSM1000042067	4099123
85103403	1312002	60018-5003	2117001	BSM1000042815	4099122
85103415	3112005	60018-5007	2175003	BSM1000043504	4099165
85103416	3112006	60018-5015	2199010	BSM1000044640	4475047
85103428	2112005	60040-5008	4399025	BSM1000044881	4499029
85103429	2212004	60042-3201	2499005	BSM1000049325	4099160
85103430	2012001	60058-5002	1899047	BSM1000086470	4099085
85103431	2012003	60306-5002	2575004	BSM1000096864	4099131
85103433	2012007	60306-5004	2575005	BSM1000113415	4099166
85103438	2212005	60306-5005	2575009	BSM1000129489	4099140
85103439	2212006	60501-5001	1275003	BSM1000129493	4099141
85103443	2412005	61104-0019	1403005	BSM1000132409	4499014
85103444	2412007	61203-0029	1518006	BSM1000132411	4499013
85103448	2299031	61510-0001	1999009	BSM1000132413	4499011
85104172	1199035	61510-0003	1999034	BSM1000133405	4475048
85104197	1813014	61510-0006	1918001	BSM1000134217	4475049
85104197	1818007	61510-0008	1918008	BSM1000134248	4499005
85104200	1713012	61510-5003	1999226	BSM1000134338	4499006
85104207	1012016	61510-5004	1999032	BSM1000134371	4499007
85104468	1401383	61512-0005	2299100	BSM1000134376	4499008
85104531	1401382	61522-0006	2299033	BSM1000138867	4499012
85104592	1401380	61522-0007	2299003	BSM1000139124	1411001
85104593	1401379	61522-0008	2299023	BSM1000163931	3699025
85104616	2612593	61522-0019	2299024	BSM1000167211	4499010
85119563	1410029	72404-0200	2199019	BSM1000168452	4475003
85119605	1401397	7787-B380076	2575008	BSM1000169770	4099158
85120276	1018009	B170145	3275002	BSM1000171544	4499021
85120277	1718009	BSM 1000171683	4499022	BSM1000171686	4499023
85120278	2418004	BSM 1000215304	4475020	BSM1000171688	4499024
85120282	1618012	BSM 1000236401	4475033	BSM1000173480	4099179
85120286	2113011	BSM 1000304979	1075046	BSM1000173812	4499033
85120289	1818008	BSM 530320	2999031	BSM1000174251	4099188
85128713	1015009	BSM B201320	4099161	BSM1000174286	4099180
85135817	1813007	BSM B203603	4099162	BSM1000174296	4475050
85142037	2499120	BSM B300652	4099163	BSM1000174302	4475051
85142170	1099026	BSM B402900	1399017	BSM1000175537	4099181
85142408	2414008	BSM F45-1001	4099005	BSM1000176050	4499015
85142449	2499129	BSM F45-1002	4099002	BSM1000176058	4499016
85142451	2499124	BSM F66-1117	4099164	BSM1000176060	4499017
85145406	2499140	BSM1000007617	4099116	BSM1000177227	4499018
85145555	2499111	BSM1000007618	4099117	BSM1000177230	4499019
02-7073625	1199015	BSM1000014373	4099128	BSM1000177374	4499020
02-7077922	1999007	BSM1000014440	4099124	BSM1000183201	4475023

Volvo

This listing shows parts that are similar in physical interchangeability and function. Cross reference lists should not be used as application guides. Please refer to the proper listing in the applications section for specific make and model recommendations.

VOLVO		VOLVO		VOLVO	
Volvo Number	Kysor Number	Volvo Number	Kysor Number	Volvo Number	Kysor Number
BSM1000184211	4475013	BSM1000278423	4499043	BSM1001330466	3620009
BSM1000190324	4499032	BSM1000278426	4499044	BSM203090	1099026
BSM1000192444	4099193	BSM1000280748	4100006	BSM205853	1099025
BSM1000193499	4499036	BSM1000280749	4100005	BSM275165	1075009
BSM1000193500	4499037	BSM1000282660	4099194	BSM300242	4399060
BSM1000213961	4499038	BSM1000285448	4420009	BSM351744	4399066
BSM1000214467	4499040	BSM1000295771	4099197	BSM380061	2575006
BSM1000214510	4499041	BSM1000299202	4099195	BSM400050	1675001
BSM1000215106	4475018	BSM1000300319	4499107	BSM411271	1075025
BSM1000215256	4475019	BSM1000303268	2075006	BSM454512	4099050
BSM1000224619	4475052	BSM1000303297	2075008	BSM454587	4099054
BSM1000230085	4475006	BSM1000309203	4099199	BSM454634	4099046
BSM1000230381	4475001	BSM1000309205	4099198	BSM454635	4099044
BSM1000230491	4475009	BSM1000310183	1999215	BSM454641	4099052
BSM1000230502	4475004	BSM1000315710	4499054	BSM454641	4099053
BSM1000230729	4475005	BSM1000320398	4499055	BSM454651	4099011
BSM1000230739	4475012	BSM1000320402	4499056	BSM454691	4099070
BSM1000230792	4420001	BSM1000320709	4499094	BSM454715	4099142
BSM1000234546	4475026	BSM1000323248	4499057	BSM454724	4099021
BSM1000234558	4475025	BSM1000323252	4499058	BSM454725	4099022
BSM1000234566	4475027	BSM1000338797	4099200	BSM454738	4099023
BSM1000234569	4475028	BSM1000339434	4499064	BSM454753	4099039
BSM1000235371	4475053	BSM1000339437	4499065	BSM454754	4099038
BSM1000235938	4475029	BSM1000342516	4475041	BSM454758	4099037
BSM1000235958	4475030	BSM1000342540	4099203	BSM454802	4099067
BSM1000236036	4475055	BSM1000347081	2275010	BSM454873	4099024
BSM1000236361	4475037	BSM1000347886	4499088	BSM454991	4099057
BSM1000236384	4475031	BSM1000348812	1075049	BSM455322	4099143
BSM1000236388	4475032	BSM1000348813	1075050	BSM500105	3275014
BSM1000236644	4420002	BSM1000360822	4499075	BSM500169	4099003
BSM1000236697	4420003	BSM1000360826	4499076	BSM500198	4099106
BSM1000236701	4420004	BSM1000365536	4399010	BSM519714	1075044
BSM1000236731	4420005	BSM1000386862	4099202	BSM520939	4099144
BSM1000236773	4420006	BSM1000388483	4499078	BSM525600	3199053
BSM1000236777	4420007	BSM1000400456	4499079	BSM525812	2599049
BSM1000236898	4475034	BSM1000416685	4499077	BSM529904	4099132
BSM1000243510	4475056	BSM1000493450	4475066	BSM530707	4099145
BSM1000247777	4475057	BSM1000522984	4499082	BSM530718	4099012
BSM1000247778	4475058	BSM1000523006	4499083	BSM530719	4099013
BSM1000251422	4499039	BSM1000525725	4499084	BSM530724	4099014
BSM1000255856	3699031	BSM1000531455	3099064	BSM530805	4099029
BSM1000257831	BSP00003HVAC24	BSM1000580123	4475067	BSM530826	4099000
BSM1000258578	BSP00039AC12	BSM1000580166	4475068	BSM531005	3999114
BSM1000258579	BSP00039AC24	BSM1000611575	4499087	BSM531019	4099146
BSM1000259751	3699032	BSM1000647960	4499149	BSM560065	4099025
BSM1000270409	3699033	BSM1001016645	4475070	BSM560101	4099082
BSM1000270666	3699034	BSM1001330147	3620010	BSM600187	4099147
BSM1000270699	3699035	BSM1001330451	3620008	BSM601013	1011003

This listing shows parts that are similar in physical interchangeability and function. Cross reference lists should not be used as application guides. Please refer to the proper listing in the applications section for specific make and model recommendations.

VOLVO		VOLVO		VOLVO	
Volvo Number	Kysor Number	Volvo Number	Kysor Number	Volvo Number	Kysor Number
BSM601025	1099003	BSM615021	2499041	BSM628063	2999064
BSM601038	1011014	BSM615022	2499042	BSM629002	3475002
BSM601043	1099012	BSM615024	2411007	BSM629003	3475003
BSM602004	1113001	BSM615025	2411001	BSM629004	3475004
BSM602006	1117001	BSM615026	2499043	BSM629005	3475005
BSM604204	4099120	BSM615031	2475002	BSM629006	3475006
BSM605029	1399008	BSM616002	2010007	BSM629007	1599100
BSM606060	1403004	BSM616009	2112008	BSM629008	3475027
BSM606068	1403153	BSM616010	2112002	BSM629011	3475047
BSM606069	1403161	BSM617004	2011001	BSM629012	2799110
BSM606070	1403162	BSM617006	2010009	BSM630012	3375022
BSM606075	1403158	BSM617007	2010010	BSM630026	BSP00011COND12
BSM606076	1403159	BSM618000	2012005	BSM630027	BSP00011COND24
BSM606077	1403101	BSM621002	2399001	BSM630049	4099133
BSM606078	1403102	BSM623000	2799032	BSM630057	4099149
BSM606079	1403103	BSM623009	2499052	BSM631002	3212008
BSM606080	1403108	BSM624001	2512007	BSM633034	3799020
BSM606081	1403112	BSM625005	3213003	BSM633056	3713011
BSM606084	1403120	BSM626000	3175005	BSM633069	3799034
BSM606087	1403123	BSM626001	3475056	BSM633071	3475066
BSM606089	1403126	BSM626002	3475036	BSM651195	2199089
BSM606090	1403127	BSM626003	3475057	BSM651225	4099075
BSM606091	1403128	BSM626004	3175006	BSM651251	4099170
BSM606092	1403130	BSM626005	3113001	BSM651291	2199067
BSM606094	1403136	BSM626006	3113005	BSM651383	4099091
BSM606095	1403137	BSM626007	3113003	BSM652518	4099171
BSM606097	1403140	BSM626008	3113004	BSM652542	4099151
BSM606098	1403141	BSM627005	3099065	BSM652544	4499003
BSM606105	1403111	BSM628002	2999003	BSM660706	4099100
BSM606109	1401106	BSM628003	2999004	BSM660707	4099101
BSM610019	1910002	BSM628004	2999009	BSM660715	4099152
BSM610022	1999013	BSM628006	2999007	BSM660724	4099059
BSM610023	1999030	BSM628007	2999006	BSM660778	4099103
BSM610033	1999004	BSM628008	2999005	BSM660827	4099104
BSM610035	1911013	BSM628013	2999030	BSM670136	4099206
BSM610102	4099148	BSM628022	2999019	BSM670137	4099201
BSM611015	1599005	BSM628025	2999036	BSM756360C	1299008
BSM611019	1575005	BSM628026	2999037	BSM866860	2499003
BSM611022	1512002	BSM628027	2999034	BSM868649	4099080
BSM611023	1512003	BSM628028	2999041	BSM869942	3475077
BSM611024	1599011	BSM628032	2999032	BSM870001	4099125
BSM612028	1612002	BSM628034	2999021	BSM870059	4099045
BSM613033	1712004	BSM628037	2999026	BSM870143	4099017
BSM615001	2410001	BSM628039	2999033	BSM870188	4099041
BSM615005	2410004	BSM628043	2999049	BSM870192	4099040
BSM615007	2411004	BSM628054	2999013	BSM870224	4099068
BSM615011	2499044	BSM628059	2999060	BSM870235	4099033
BSM615018	2413005	BSM628060	2999061	BSM870236	4099027

Western Star

This listing shows parts that are similar in physical interchangeability and function. Cross reference lists should not be used as application guides. Please refer to the proper listing in the applications section for specific make and model recommendations.

VOLVO	
Volvo Number	Kysor Number
BSM870331	4099028
BSM870405	4099135
BSM870513	4099043
BSM871245	4099156
BSM871303	4099111
BSM871425	4099119
BSM880048	3699003
BSMB220001	4399008
BSMB221104	2199020
BSMB221107	2175007
BSMB221108	2175008
BSMB260650	1199030
BSMB265330	1275001
BSMB275152	1099004
BSMB300642	4099136
BSMB316000	2799088
BSMB360157	3275003
BSMB360400	3275007
BSMB360924	4099004
BSMB400065	1675005
BSMB400074	1675006
BSMB400189	1699006
BSMB401102	1575009
BSMB404028	2399004
BSMB416912	2175006
BSMB513988	4390004
G2055845	2575003
RDHRD473060P	1512027
RDHRD5146450P	1401501
RDHRD5146450P	1441001
RDHRD5146450P	1440002
RDHRD587852	1099153
V1091069	2475005

VOLVO	
Volvo Number	Kysor Number
V1507407	1999029

WARNER	
Western Star Number	Kysor Number
1411-36	1399005
1411-72	1399046
1466-71	1399035
1466-74	1399061
1466-84	1399028

WESTERN STAR	
Western Star Number	Kysor Number
400064	1614002
02-7073625	1199015
02-707922	1915005
02-7104445	1999029
04-9040731	1899011
04-9041020	1999022
04-9048824	2499005
60004-4403	1699002
60009-3405	1099023
60009-5003	1099007
60009-5003	1099022
60009-5009	1099007
60010-4401	1199008
60010-5001	1199010
60012-5001	1199003
60018-5002	2499038

WESTERN STAR	
Western Star Number	Kysor Number
60018-5003	2117001
60018-5005	2199023
60032-5001	2099005
60306-5002	2575004
60501-5002	1275003
61018-5002	2399005
61018-5005	2399004
61104-3420	1401107
61104-3423	1401116
61104-3430	1412006
61203-3209	1599005
61203-3409	1519003
61203-3418	1519004
61203-3430	1519005
61506-3402	1919001
61506-3406	1919002
61506-3406	1919003
72403-3402	2199019
SKI4073S	1401442
VF4-15F11-S01	2099002
WST 173089	2475002
WST220990	2099006
WST273140	1099006
WST380061	2575006
WST402754	1918001
WST402818	1403100
WST402917	1399046
WST402918	1313005
WST404075	2375001
WST404081	2275005
WST409027	2612208
WST936213	BSP00019HEAT12
WWS RD-3-8416-0	3119001



**Air Conditioning & Heating
Replacement Parts**

Part Number Index

Kysor Part Number	Page Number	Kysor Part Number	Page Number	Kysor Part Number	Page Number
091087C006	615	1017008	164, 169	1099003	36, 37, 38, 135, 164, 171
091096C005	458	1018002	136, 164, 169	1099004	177, 179, 578
091096C006	458	1018003	135, 164, 169	1099006	5, 57, 135, 162, 171, 588
091132C003	615	1018006	135, 136, 181, 183	1099007	57, 59, 83, 84, 135, 163, 171
091132C004	615	1018009	135, 136, 182, 183	1099011	36, 37, 104, 162, 171, 582
091132C006	615	1019001	99, 100, 101, 102, 103, 104, 147, 148, 163, 169	1099012	36, 37, 99, 100, 101, 102, 103, 104, 135, 147, 148, 164, 171
091132C019	458	1075005	165, 169, 685, 687	1099013	36, 104, 163, 171
091132C020	458	1075006	165, 169, 685, 687	1099014	37, 38, 164, 171
091132C021	615	1075009	57, 163, 169, 675	1099015	57, 58, 83, 84, 103, 135, 177, 179
091135C003	458	1075010	162, 170	1099018	57, 177, 179, 578, 586, 588
091136C006	458	1075011	57, 177, 178	1099019	177, 179
091136C012	458	1075012	57, 163, 170	1099020	99, 177, 179
1011003	163, 166	1075013	58, 162, 170	1099021	83, 84, 103, 177, 179
1011014	166	1075014	177, 178	1099022	14, 83, 84, 99, 100, 101, 102, 103, 104, 147, 148, 163, 172
1011015	177, 178	1075015	177, 178	1099023	163, 172
1011016	5, 164, 166	1075016	163, 170, 675	1099024	162, 172, 578, 582
1012006	13, 14, 163, 166	1075017	162, 170, 588	1099025	104, 136, 177, 179, 588
1012009	14, 15, 163, 166	1075018	181, 183, 588, 639, 641	1099026	57, 58, 59, 99, 104, 135, 177, 179
1012010	13, 14, 181, 183	1075020	181, 183, 582	1099029	57, 162, 172, 586, 588
1012015	162, 166	1075022	187	1099030	164, 172, 588
1012016	13, 14, 15, 135, 165, 166	1075023	181, 183	1099032	165, 172, 588
1013004	36, 37, 164, 166	1075024	182, 183	1099033	162, 172, 578, 586, 588
1013005	36, 37, 38, 165, 166	1075025	181, 183, 588	1099034	162, 172, 582, 588
1013006	165, 167	1075028	181, 184, 673	1099038	162, 172
1013007	162, 167, 582	1075031	165, 170, 588	1099040	147, 148, 164, 173, 578
1013008	36, 37, 38, 164, 167	1075032	677	1099047	135, 177, 180, 588
1013009	163, 167, 582	1075033	177, 178, 588	1099048	5, 135, 177, 180
1013011	36, 37, 38, 182, 183	1075034	162, 170	1099049	177, 180
1013012	38, 165, 167	1075035	162, 170	1099050	163, 173, 588
1013013	37, 38, 165, 167	1075036	177, 178	1099051	162, 173, 578, 588
1013015	163, 167	1075043	181, 184, 657	1099052	164, 173, 589
1014002	57, 58, 83, 135, 164, 167	1075044	181, 184, 627, 637, 651, 689	1099053	164, 173, 589
1014003	57, 58, 163, 167	1075046	181, 184, 627, 637, 651, 653, 689	1099054	57, 163, 173, 582
1014005	58, 163, 168	1075047	181, 184, 657	1099055	164, 173, 578
1014006	57, 58, 59, 177, 178	1075048	181, 184, 623, 625, 655	1099059	165, 173, 578
1014007	58, 163, 168	1075049	163, 170	1099063	8, 13, 14, 135, 164, 173
1015002	164, 168	1075050	163, 171	1099064	13, 14, 15, 135, 163, 174
1015006	83, 84, 135, 163, 168	1075051	177, 178	1099069	164, 174
1015007	83, 84, 163, 168	1075053	187	1099070	102, 103, 163, 174
1015009	83, 84, 162, 168	1075054	187	1099072	165, 174
1017001	164, 168	1075055	164, 171		
1017003	57, 177, 178	1075056	181, 184, 633, 635		
1017004	99, 100, 101, 102, 103, 104, 135, 147, 148, 163, 168	1075057	181, 184, 633, 635		
1017005	135, 164, 168	1075058	187, 188		
1017006	58, 99, 100, 101, 102, 103, 104, 164, 169	1075059	182, 184		
1017007	58, 59, 164, 169	1099002	177, 179, 588		

Kysor Part Number	Page Number	Kysor Part Number	Page Number	Kysor Part Number	Page Number
1099074	162, 174	1117003	104, 105, 106, 107, 108,	1299030	203, 206, 591
1099075	163, 174		109, 194, 195	1299031	203, 206, 591
1099077	181, 185, 578, 582	1118001	136, 194, 195	1299032	203, 206, 591
1099080	165, 174, 582, 589	1175002	194, 195	1299034	203, 206, 584
1099081	177, 180	1175003	198, 199, 578	1299035	203, 206, 584
1099087	164, 174, 655, 669, 671	1199001	85, 198, 199	1299036	203, 206, 591
1099088	163, 174	1199003	85, 105, 106, 107, 108,	1299037	209, 211
1099090	182, 185, 582, 589		109, 148, 149, 150, 194,	1299038	203, 206
1099092	58, 102, 103, 162, 175		196	1299039	203, 206, 587
1099094	102, 103, 163, 175	1199006	59, 60, 105, 106, 107,	1299040	202, 206
1099095	181, 185, 582		108, 198, 199, 582, 586,	1299041	203, 207, 587, 591
1099097	181, 185, 578, 582, 623,		589	1299042	202, 207, 591
	625, 653	1199007	104, 108, 109, 136, 198,	1299043	203, 207, 579
1099098	182, 185, 582		199, 578, 589	1299045	203, 207
1099104	177, 180	1199008	39, 59, 60, 85, 104, 136,	1299046	202, 207
1099105	629		148, 149, 150, 194, 196,	1299047	209, 211
1099106	629		589	1299048	209, 211
1099107	629	1199009	5, 59, 85, 108, 136, 198,	1312001	15, 39, 214
1099108	629		199	1312002	15, 39, 60, 109, 219, 220
1099113	163, 175	1199010	85, 136, 149, 150, 194,	1313002	39, 214
1099116	162, 175, 582		196	1313005	15, 39, 60, 86, 110, 136,
1099118	162, 175, 578	1199012	194, 196		216, 217
1099119	182, 185, 589	1199013	194, 196, 578	1313006	39, 216, 217
1099120	181, 185, 582	1199015	149, 194, 196	1313008	216, 217
1099121	182, 185, 582	1199020	136, 194, 196	1380001	15, 39, 60, 86, 109, 110,
1099122	165, 175	1199021	194, 196		136, 150, 216, 217, 299
1099124	165, 175, 578, 683	1199022	194, 196	1380002	15, 60, 109, 110, 216,
1099125	165, 175	1199023	194, 197		217, 299
1099126	164, 175	1199024	194, 197, 589	1380003	39, 109, 150, 216, 217
1099127	164, 176	1199026	194, 197	1380004	15, 39, 60, 109, 219, 220
1099128	164, 176, 589	1199028	198, 199, 578, 655	1380005	15, 39, 60, 219, 220
1099130	181, 185, 582	1199029	198, 199, 578	1380006	15, 39, 60, 109, 110,
1099131	181, 186	1199030	198, 199		150, 219, 220, 299
1099132	182, 186, 589	1199035	39, 59, 60, 104, 109,	1380007	15, 39, 60, 219, 220
1099134	182, 186, 586, 589		198, 200	1380008	216, 217
1099135	162, 176, 589	1199036	198, 200	1380009	216, 217
1099136	182	1199037	198, 200, 589	1380010	216, 217
1099137	164, 176	1199038	198, 200, 589	1380011	216, 218
1099138	181, 186, 578	1199042	198, 200, 578	1380012	219, 220
1099146	164, 176, 589	1199043	194, 197, 589	1380013	219, 220
1099147	177, 589	1199044	108, 198, 200, 589	1380014	219, 220
1099150	165, 176	1199045	198, 200	1380015	219, 220
1099151	181, 186	1199047	198, 200, 578	1399004	39, 86, 109, 110, 136,
1099152	187, 188	1199049	198, 200		216, 218
1099153	187, 188	1199051	194, 197	1399005	39, 214, 299
1099154	181, 186	1199055	194, 197	1399008	8, 15, 39, 60, 109, 110,
1099155	182, 186	1199056	209, 210, 591		219, 221
1099156	182, 186	1275001	209, 210	1399013	39, 214, 215
1099157	164, 176, 589	1275003	209, 210, 669, 671, 675	1399014	109, 136, 150, 214, 215
1099158	187, 188	1275004	209, 210, 685, 687	1399017	214, 215
1099159	165, 176	1275005	209, 210, 587, 591	1399027	15, 86, 109, 110, 214,
1099160	165, 176	1275007	209, 210		215
1099161	182, 186, 578, 582	1299001	202, 204	1399028	214, 215
1099305	189, 190, 589	1299002	202, 204	1399035	214, 215
1099306	189, 190	1299003	202, 204	1399041	15, 39, 109, 150, 216,
1099308	189, 190, 579	1299004	202, 204		218
1099311	189, 190	1299005	202, 204	1399045	216, 218
1099312	189, 190	1299006	202, 204	1399046	150, 216, 218
1099316	189, 190, 583	1299007	202, 204	1399059	219, 221
1099317	189, 190, 583	1299008	202, 204	1399061	214, 215
1099318	189, 190, 583	1299009	202, 204	1399068	60, 109, 136, 216, 218
1099319	189, 190, 583	1299010	203, 205, 591	1399075	219, 221
1099322	189, 191, 583, 589	1299013	209, 210	1399084	276
1099323	189, 191, 589	1299014	209, 210	1401101	234, 241, 242
1099325	189, 191, 579, 589	1299015	209, 210, 591, 683	1401104	234, 241, 242
1099326	189, 191, 579, 589	1299016	209, 211	1401106	5, 8, 9, 10, 11, 232, 242
1099327	191, 589	1299017	209, 211, 579, 584, 591	1401107	16, 60, 111, 137, 150,
1099328	189, 191, 579	1299019	209, 211		235, 243
1099330	189, 191, 583	1299020	209, 211	1401108	61, 111, 137, 150, 235,
1113001	194, 195	1299021	147, 148, 203, 205		243
1113002	38, 194, 195	1299022	202, 205, 579, 584, 587	1401109	235, 243
1113003	38, 39, 194, 195	1299023	202, 205, 584, 591	1401110	40, 61, 111, 236, 243
1115001	39, 85, 104, 105, 106,	1299024	203, 205	1401111	17, 40, 236, 243
	107, 108, 194, 195	1299025	202, 205, 591	1401113	236, 243
1115003	84, 85, 194, 195	1299026	202, 205, 587	1401114	236, 243
1117001	108, 198, 199, 582	1299027	202, 205, 579	1401115	5, 17, 40, 61, 86, 111,
1117002	105, 106, 107, 108, 194,	1299028	209, 211, 579		137, 236, 243
	195, 582	1299029	203, 205, 584	1401116	110, 236, 243

Kysor Part Number	Page Number	Kysor Part Number	Page Number	Kysor Part Number	Page Number
1401117	5, 16, 19, 61, 111, 151, 236, 244	1401384	242, 251	1401466	232, 258
1401118	17, 61, 111, 138, 236, 244	1401386	238, 251	1401467	232, 235, 258
1401119	17, 18, 19, 236, 244	1401389	40, 231, 251	1401468	233, 259
1401120	8, 9, 10, 11, 16, 17, 233, 244	1401390	227, 251	1401469	233, 259
1401121	17, 232, 237, 244	1401391	241, 251	1401470	233, 259
1401122	17, 86, 137, 233, 244	1401392	241, 251	1401471	234, 259
1401123	238, 244	1401396	8, 9, 10, 11, 16, 17, 18, 19, 228, 234, 251	1401472	235, 259
1401125	17, 61, 86, 110, 111, 137, 233, 244	1401397	86, 137, 240, 252	1401473	235, 259
1401126	17, 19, 233, 244	1401399	8, 9, 10, 11, 12, 16, 151, 233, 252	1401474	40, 236, 259
1401127	17, 19, 20, 40, 233, 238, 245	1401400	86, 138, 233, 252	1401475	237, 259
1401128	137, 238, 245	1401401	86, 138, 230, 252	1401476	237, 259
1401133	40, 239, 245	1401402	232, 252	1401477	237, 260
1401135	242, 245	1401403	230, 252	1401478	40, 237, 260
1401136	234, 241, 245	1401404	61, 111, 227, 252	1401479	238, 260
1401138	238, 245	1401405	61, 111, 227, 252	1401480	238, 260
1401140	234, 245	1401406	61, 111, 227, 232, 237, 252	1401481	239, 260
1401140	234, 245	1401407	40, 235, 253	1401482	239, 260
1401200	231, 245	1401408	138, 227, 253	1401483	241, 260
1401201	137, 231, 245	1401409	227, 253	1401484	234, 241, 260
1401202	2, 86, 137, 239, 246	1401410	16, 19, 228, 235, 253	1401485	234, 241, 260
1401204	239, 246	1401411	137, 227, 253	1401486	241, 261
1401206	61, 111, 240, 246	1401413	61, 111, 228, 230, 253	1401488	242, 261
1401208	240, 246	1401414	16, 19, 61, 110, 111, 228, 230, 253	1401489	242, 261
1401210	240, 246	1401415	60, 228, 230, 253	1401490	242, 261
1401212	240, 246	1401416	111, 112, 228, 230, 253	1401491	242, 261
1401214	240, 246	1401417	61, 111, 112, 228, 231, 254	1401492	242, 261
1401217	240, 246	1401418	16, 228, 235, 254	1401493	241, 261
1401219	240, 246	1401419	16, 19, 239, 254	1401494	40, 229, 261
1401225	232, 247	1401420	17, 19, 228, 239, 254	1401495	232, 261
1401226	232, 247	1401421	8, 9, 10, 11, 12, 16, 229, 254	1401496	237, 262
1401325	284	1401422	40, 230, 254	1401497	40, 227, 262
1401326	284	1401423	61, 112, 231, 254	1401498	17, 19, 61, 227, 262
1401327	284	1401424	61, 110, 112, 228, 254	1401499	228, 262
1401328	284	1401425	16, 228, 230, 254	1401500	61, 110, 112, 228, 262
1401329	284	1401426	40, 235, 255	1401501	17, 19, 228, 262
1401330	235, 247	1401427	137, 138, 139, 234, 255	1401502	2, 229, 262
1401331	236, 247	1401428	16, 19, 227, 255	1401503	138, 229, 262
1401332	234, 241, 247	1401429	229, 255	1401504	17, 19, 230, 262
1401333	241, 247	1401432	61, 111, 112, 228, 231, 255	1401505	230, 263
1401334	238, 247	1401433	236, 255	1401507	61, 111, 112, 231, 263
1401339	239, 247	1401435	61, 110, 112, 228, 230, 255	1401508	233, 263
1401340	16, 19, 239, 247	1401436	227, 255	1401509	40, 229, 263
1401341	18, 239, 248	1401437	86, 138, 139, 230, 255	1401510	235, 263
1401342	60, 233, 248	1401438	16, 18, 19, 228, 256	1401511	40, 236, 263
1401344	86, 138, 237, 248	1401440	7, 230, 239, 256	1401512	237, 263
1401346	233, 248	1401442	8, 9, 10, 11, 12, 16, 19, 227, 256	1401513	5, 8, 9, 10, 11, 12, 17, 19, 240, 263
1401347	61, 111, 235, 248	1401443	86, 137, 228, 256	1401514	241, 263
1401348	234, 241, 248	1401444	138, 228, 229, 256	1401515	241, 264
1401353	8, 9, 10, 11, 229, 248	1401445	61, 110, 112, 230, 256	1401516	242, 264
1401354	229, 248	1401446	61, 112, 230, 256	1401518	242, 264
1401355	8, 9, 10, 11, 229, 248	1401447	61, 110, 112, 228, 231, 256	1401519	2, 230, 264
1401356	16, 229, 249	1401448	231, 256	1401520	138, 139, 228, 229, 264
1401357	234, 249	1401450	2, 230, 234, 235, 257	1401521	239, 264
1401359	16, 232, 249	1401451	227, 257	1401522	241, 264
1401360	8, 9, 10, 11, 16, 18, 232, 249	1401452	227, 257	1401523	242, 264
1401361	5, 8, 9, 10, 11, 233, 249	1401453	227, 257	1401525	239, 264
1401362	86, 138, 139, 233, 249	1401454	229, 257	1401526	234, 265
1401364	234, 249	1401455	229, 257	1401527	230, 265
1401365	5, 234, 237, 249	1401456	229, 257	1401528	231, 265
1401366	235, 249	1401457	229, 257	1401529	242, 265
1401367	5, 16, 19, 235, 250	1401458	229, 257	1402002	8, 9, 10, 11, 12, 20, 41, 86, 112, 139, 297
1401371	61, 111, 236, 250	1401459	229, 258	1403001	286, 288, 294
1401373	40, 61, 111, 138, 237, 250	1401460	17, 18, 19, 230, 258	1403004	2, 286, 288, 294
1401374	111, 238, 250	1401461	2, 230, 258	1403015	287, 289, 294
1401375	238, 241, 250	1401462	231, 258	1403100	286, 288, 294
1401377	8, 9, 10, 11, 239, 250	1401463	231, 258	1403101	286, 288, 294
1401378	86, 138, 239, 250	1401464	231, 258	1403102	286, 288, 294
1401379	86, 137, 138, 139, 240, 250	1401465	231, 258	1403103	286, 288, 294
1401380	241, 250			1403104	286, 289, 294
1401382	241, 251			1403105	286, 289, 294
1401383	137, 238, 241, 251			1403107	286, 289, 294
				1403108	286, 289, 294
				1403110	286, 289, 294
				1403111	286, 289, 294
				1403112	286, 289, 294
				1403114	286, 289, 294

Kysor Part Number	Page Number	Kysor Part Number	Page Number	Kysor Part Number	Page Number
1403116	286, 290, 294	1408028	303, 306	1410031	231, 268
1403117	286, 290, 294	1408029	303, 306	1410032	232
1403119	286, 290, 294	1408030	303, 306	1410033	232
1403120	286, 290, 294	1408031	303, 306	1410034	235
1403123	286, 290, 294	1408032	303, 306	1410035	235
1403125	286, 290, 294	1408034	303, 306	1410036	230, 234, 235
1403126	286, 290, 294	1408035	303, 306	1410037	235
1403127	286, 290, 294	1408036	303, 306	1410038	235
1403128	286, 290, 294	1408037	303, 306	1410039	236
1403129	286, 291, 294	1408038	304, 306	1410040	236
1403130	286, 291, 294	1408039	304, 306	1410041	236, 269
1403132	286, 291, 294	1408040	304	1410042	110, 237, 269
1403136	287, 291, 294	1408043	304, 306	1410043	40, 111, 237, 269
1403137	287, 291, 294	1408044	304, 306	1410044	238, 269
1403138	287, 291, 294	1408045	304, 306	1410046	40, 239, 269
1403140	287, 291, 294	1408046	304, 306	1410047	239, 269
1403141	287, 291, 294	1408047	304, 307	1410048	240, 269
1403145	287, 291, 294	1408048	304, 307	1410049	240, 269
1403146	287, 292, 294	1408049	304, 307	1410050	240, 269
1403147	287, 292, 294	1408050	304, 307	1410051	240, 270
1403150	287, 292, 294	1408051	304, 307	1410052	240, 270
1403153	286, 292, 294	1408052	304, 307	1410054	240, 270
1403158	286, 292, 294	1408053	303, 305	1410055	240, 270
1403159	286, 292, 294	1408054	303, 305	1410056	229, 232, 237, 270
1403161	286, 292, 294	1409001	307	1410057	232, 235, 270
1403162	286, 292, 294	1409002	307, 518	1410058	233, 242, 270
1403163	286, 292, 294	1409003	307, 518	1410059	229, 231, 233, 238, 270
1403166	287, 293, 294	1409004	307	1410060	230, 270
1403167	287, 293, 294	1409005	307	1410061	232, 235, 271
1403168	287, 293, 294	1409006	307	1410062	234, 241, 271
1403169	287, 293, 294	1409007	308	1410063	234, 241, 271
1403170	287, 293, 294	1409008	308	1410064	110, 234, 241, 271
1403171	287, 293, 294	1409009	308, 518	1410065	234, 241, 271
1404025	2, 284	1409010	308	1410066	234, 241, 271
1404028	284	1409011	308	1410067	235, 271
1406006	61, 112, 237, 265	1409012	308	1410068	235, 242, 271
1407001	302	1409013	308	1410069	236, 271
1407002	302	1409014	308	1410070	110, 237, 272
1407004	302	1409016	308	1410071	242, 272
1407005	302	1409017	308	1410072	242, 272
1407008	302	1409018	308	1410073	229, 272
1407009	302	1410001	19, 229, 232, 265	1410074	19, 151, 229, 272
1407010	302	1410002	110, 227, 231, 237, 265	1410075	138, 227, 272
1407012	303	1410003	110, 227, 232, 239, 265	1410076	227, 272
1407020	302	1410004	232, 233, 238, 266	1410077	227, 272
1407024	302	1410005	18, 232, 238, 266	1410080	60, 230, 272
1407025	302	1410006	19, 232, 233, 237, 266	1410082	229, 231, 273
1407026	302	1410007	17, 18, 19, 231, 233, 239, 240, 266	1410083	86, 138, 236, 238, 273
1407027	302			1410084	60, 238, 273
1407029	303	1410008	18, 233, 237, 238, 266	1410085	238, 273
1407030	303	1410009	233, 237, 266	1410086	138, 230, 273
1407034	295	1410010	86, 234, 237, 240, 266	1410087	238, 273
1407035	295	1410011	234, 238, 240, 266	1410088	40, 231, 273
1407036	295	1410012	234, 237, 266	1410091	236, 273
1407037	295	1410013	19, 110, 235, 237, 238, 267	1410092	17, 233, 273
1407038	295			1410093	2, 230, 274
1407042	295	1410014	137, 235, 267	1410094	239, 274
1407044	295	1410015	18, 236, 267	1410095	234, 274
1407045	295	1410016	18, 40, 61, 235, 236, 242, 267	1410097	232, 274
1407046	302			1410099	18, 228, 274
1407047	302	1410017	236, 267	1410100	19, 151, 228, 274
1408001	303, 304	1410018	19, 233, 237, 238, 267	1410101	228, 274
1408002	303, 304	1410019	60, 110, 227, 232, 237, 267	1410102	19, 228, 274
1408005	303, 304			1410104	240, 274
1408006	303, 304	1410020	138, 237, 241, 267	1410105	240, 275
1408009	303, 304	1410021	137, 138, 139, 237, 238, 241, 267	1411001	20, 40, 112, 151, 297, 298, 299
1408010	303, 304			1411002	20, 41, 112, 151, 297, 298, 299
1408013	303, 305	1410022	60, 111, 227, 232, 238, 268	1411003	297, 298
1408014	303, 305			1411004	297, 298
1408015	303, 305	1410023	19, 151, 231, 233, 238, 240, 268	1411005	287, 294
1408016	303, 305			1411006	287, 294
1408017	303, 305	1410024	137, 138, 139, 237, 238, 240, 268	1411007	287, 293, 294
1408020	303, 305			1411008	287, 293, 294
1408022	303	1410025	235, 239, 268	1411009	287, 293, 294
1408023	303	1410026	18, 19, 232, 239, 268	1411010	287, 294
1408024	303, 305	1410027	239, 268	1411011	287, 294
1408025	303, 305	1410028	137, 240, 268		
1408027	303, 305	1410029	137, 238, 241, 268		

Kysor Part Number	Page Number	Kysor Part Number	Page Number	Kysor Part Number	Page Number
1411012	287, 294	1514026	355, 362	1599114	353, 369
1411013	20, 62, 112, 297, 298, 299	1515002	86, 87, 352, 362	1599115	352, 369
1411014	20, 62, 112, 297, 298, 299	1515003	87	1599116	352, 370
1411015	20, 62, 112, 297, 298, 299	1515004	86, 356, 362	1599117	354, 370
1411016	20, 41, 62, 112, 151, 297, 298, 299	1515005	2, 86, 355, 362	1599118	353, 370
1412001	40, 151, 240, 275	1515006	88, 356, 362	1599119	355, 370
1412002	19, 231, 275	1515013	87, 88, 354, 362	1599120	353, 370
1412003	19, 236, 275	1515014	87, 88, 355, 362	1599121	353, 370
1412004	232, 239, 275	1515015	88, 356, 363	1599122	356, 370
1412005	138, 239, 275	1515016	87, 355, 363	1599123	352, 370
1412006	241, 275	1515017	87, 88, 354, 363	1599124	352, 370
1412007	137, 227, 275	1515018	87, 88, 355, 363	1599125	354, 371
1412008	230, 275	1515019	87, 88, 354, 363	1599126	354, 371
1412009	86, 230, 276	1515021	354, 363	1599127	353, 371
1412010	18, 151, 228, 239, 276	1515022	87, 88, 352, 363	1599128	353, 371
1412011	137, 138, 227, 228, 229, 242, 276	1517008	113, 114, 115, 116, 352, 363	1599129	353, 371
1412012	110, 231, 276	1517011	113, 114, 115, 116, 356, 363	1599130	353, 371
1412013	137, 228, 229, 276	1517012	113, 114, 115, 116, 356, 364	1599131	355, 371
1412014	111, 230, 231, 276	1517014	112, 113, 114, 115, 116, 356, 364	1612002	22, 23, 377, 378
1440001	16, 17, 285	1517015	112, 113, 116, 353, 364	1612006	22, 377, 378
1440002	16, 17, 150, 285	1517016	114, 115, 356, 364	1612011	22, 23, 376, 378
1440003	17, 18, 150, 285	1517017	62, 63, 353, 364	1612012	22, 23, 377, 378
1441001	285	1517018	62, 63, 113, 114, 115, 116, 354, 364	1612018	22, 23, 377, 378
1441002	16, 285	1517019	62, 63, 113, 114, 115, 353, 364	1613001	377, 378
1441003	285	1517020	113, 114, 115, 116, 356, 364	1613002	42, 43, 377, 378
1510018	2, 354, 357	1517021	115, 354, 364	1613003	42, 43, 140, 377, 378
1510020	2, 7, 354, 357	1518006	139, 353, 365	1613005	377, 378
1511005	6, 355, 357	1518008	139, 353, 365	1613006	43, 377, 379
1511007	6, 12, 354, 357	1518009	139, 353, 365	1613007	43, 377, 379
1511018	5, 354, 357	1518010	87, 88, 139, 354, 365	1613009	43, 376, 379
1511019	12, 354, 357	1518011	12, 139, 353, 365	1613010	43, 376, 379
1511020	12, 354, 357	1518012	139, 354, 365	1613011	43, 376, 379
1511023	12, 355, 357	1519003	151, 152, 354, 365	1613012	43, 377, 379
1512001	21, 22, 355, 357	1519004	151, 152, 354, 365	1614002	64, 65, 376, 379
1512002	21, 22, 352, 358	1519005	151, 152, 354, 365	1614003	63, 64, 65, 119, 376, 379
1512003	21, 355, 358	1530001	352, 366	1614004	63, 64, 65, 376, 379
1512004	21, 352, 358	1575001	5, 353, 366	1614005	63, 119, 376, 380
1512005	22, 355, 358	1575002	353, 366	1614006	63, 64, 65, 376, 380
1512007	355, 358	1575004	352, 366	1614007	64, 118, 119, 377, 380
1512010	21, 22, 354, 358	1575005	139, 354, 366	1614008	376, 380
1512011	20, 356, 358	1575007	87, 88, 352, 366	1614009	376, 380
1512015	12, 21, 22, 355, 358	1575008	352, 366, 625, 675	1614010	376, 380
1512017	21, 354, 358	1575009	352, 366, 627	1615003	89, 376, 380
1512025	12, 20, 21, 22, 151, 152, 354, 359	1575013	355, 366	1615008	88, 89, 377, 380
1512027	21, 355, 359	1575014	356, 367	1615010	88, 89, 377, 380
1512028	20, 354, 359	1575016	354, 367	1615011	88, 89, 377, 381
1512029	21, 355, 359	1575017	353, 367	1615012	88, 89, 376, 381
1512030	21, 355, 359	1575018	353, 367, 673	1617005	116, 119, 376, 381
1512031	355, 359	1575019	352, 367	1617006	116, 376, 381
1512032	20, 21, 355, 359	1575025	353, 367, 669	1617007	117, 377, 381
1513001	42, 355, 359	1575026	355, 367, 671	1617009	118, 119, 377, 381
1513004	42, 356, 359	1575027	352, 367, 623	1617010	118, 119, 376, 381
1513007	41, 42, 356, 360	1575028	352, 367	1617011	117, 118, 119, 376, 381
1513008	41, 356, 360	1575029	352, 368	1617013	64, 116, 117, 118, 119, 377, 381
1513011	41, 42, 355, 360	1599005	139, 140, 353, 368	1617014	64, 377, 382
1513017	41, 42, 356, 360	1599010	352, 368	1617015	117, 118, 119, 376, 382
1513019	355, 360	1599011	21, 355, 368	1617017	377, 382
1513022	42, 62, 355, 360	1599014	353, 368	1617018	116, 119, 376, 382
1513027	41, 42, 355, 360	1599015	352, 368	1618002	140, 377, 382
1513028	5, 41, 42, 356, 360	1599100	372, 657	1618005	140, 377, 382
1513029	41, 42, 356, 360	1599101	353, 368	1618011	140, 377, 382
1513032	41, 42, 356, 361	1599103	629	1618012	140, 377, 382
1513033	41, 42, 354, 361	1599105	353, 368	1630001	377, 382
1513034	41, 42, 354, 361	1599106	353, 368	1675001	377, 383, 657
1513035	41, 356, 361	1599107	353, 369	1675002	89, 376, 383
1513036	354, 361	1599108	353, 369	1675003	376, 383
1514007	352, 361	1599109	352, 369	1675005	376, 383
1514016	62, 354, 361	1599110	353, 369	1675006	376, 383, 627
1514017	62, 63, 355, 361	1599111	352, 369	1675010	376, 383, 655
1514022	62, 356, 361	1599112	353, 369	1675013	377, 383
1514024	63, 355, 362	1599113	353, 369	1675015	376, 383, 633, 635
1514025	63, 112, 355, 362			1675016	376, 383, 625

Kysor Part Number	Page Number	Kysor Part Number	Page Number	Kysor Part Number	Page Number
1675026	376, 384, 637	1799024	389, 397, 579	1817001	310, 317, 639, 641
1675028	376, 384	1799025	390, 398, 590	1817003	45, 66, 120, 310, 317
1699002	23, 117, 118, 119, 152, 153, 376, 384	1799026	389, 398, 583	1817004	66, 120, 121, 310, 317
1699004	376, 384	1799027	389, 398, 583	1817005	310, 317
1699005	64, 118, 119, 377, 385	1799028	389, 398, 583	1817007	120, 121, 310, 317
1699006	377, 385	1799029	389, 398, 590	1817008	120, 121, 310, 317
1699007	629	1799030	388, 398, 579	1817009	310, 317
1699009	376, 385	1799031	389, 398, 579	1817010	121, 311, 317
1699013	376, 385	1799032	389, 398, 579	1817011	120, 121, 312, 323, 586
1712004	26, 389, 390	1799033	389, 398, 579	1817015	310, 318
1712007	25, 26, 389, 390	1799034	389, 399, 579	1817016	310, 318
1712008	25, 26, 388, 390	1799035	389, 399, 579	1817017	310, 318
1712011	25, 388, 391	1799036	388, 399, 590	1817018	312, 323
1712012	22, 25, 26, 389, 391	1799037	389, 399, 579	1818006	44, 45, 46, 89, 90, 120, 121, 140, 141, 311, 318
1713001	46, 47, 388, 391	1799038	388, 399, 579	1818007	141, 310, 318
1713003	46, 388, 391	1799040	388, 399, 590	1818008	141, 311, 318
1713004	46, 47, 389, 391	1799041	390, 399, 579	1818009	311, 318
1713005	46, 389, 391	1799045	389, 399, 583	1875003	65, 90, 120, 121, 140, 312, 321, 586
1713006	388, 391, 583, 590	1799047	390, 399, 583	1875004	623, 625
1713007	46, 47, 388, 391	1799049	390, 400, 583	1899002	6, 120, 121, 324, 586
1713009	46, 389, 391	1799050	390, 400, 583	1899003	6, 12, 120, 121, 324, 586
1713010	46, 47, 388, 392	1799052	390, 400	1899005	311, 318
1713012	47, 124, 388, 392	1799054	390, 400, 583	1899008	44, 120, 121, 312, 321
1713013	46, 389, 392	1799055	390, 400, 579	1899009	65, 154, 311, 321
1714004	388, 392	1799056	390, 400, 583	1899011	83, 310, 312
1714005	67, 388, 392	1799057	388, 400, 583	1899013	3, 324
1714006	388, 392	1799058	390, 400, 583	1899014	324
1714007	67, 388, 392	1799061	390, 400	1899015	324
1714008	67, 389, 392	1799062	390, 401	1899017	310, 312
1715002	388, 392	1799063	390, 401	1899018	310, 313
1715007	90, 91, 389, 393	1799064	390, 401, 579	1899020	140, 310, 313, 579, 586
1715008	90, 91, 388, 393	1799066	388, 401, 583	1899021	324
1715009	90, 91, 388, 393	1799068	388, 401	1899022	324
1717002	121, 123, 388, 393	1799069	390, 401	1899026	44, 312, 321, 586
1717004	121, 123, 388, 393	1799071	389, 401, 590	1899031	66, 120, 121, 311, 318
1717005	121, 388, 393	1799072	390, 401, 583	1899032	310, 313, 585
1717006	122, 389, 393	1799077	390, 401	1899033	629
1717008	122, 123, 124, 388, 393	1810002	3, 324	1899035	627, 633, 635, 637, 651, 653, 655, 657
1717011	123, 389, 393	1810003	3, 7, 324, 586	1899038	25, 94, 310, 313
1717012	67, 121, 122, 123, 124, 394	1810001	6, 12, 324, 586	1899040	311, 319, 586
1717012	390	1812004	24, 25, 310, 312	1899041	140, 141, 311, 319
1717013	388, 394	1812005	23, 24, 310, 314	1899042	24, 25, 89, 90, 120, 153, 154, 311, 319, 579, 586
1717014	122, 123, 124, 388, 394	1812006	24, 310, 314	1899043	311, 319
1717015	388, 394	1812007	24, 310, 314	1899044	66, 120, 121, 311, 319
1717016	388, 394	1812008	24, 310, 314	1899045	311, 322
1718001	389, 394	1812010	24, 310, 314	1899046	23, 24, 25, 45, 65, 66, 121, 153, 154, 311, 319, 579, 586
1718006	141, 388, 394	1812011	23, 310, 314	1899047	25, 46, 312, 323
1718008	389, 394	1812012	24, 311, 314	1899048	311, 319
1718009	141, 388, 394	1812013	23, 311, 314	1899049	311, 322
1775001	388, 395, 685	1812014	23, 311, 314	1899050	310, 319
1775002	389, 395	1812016	310, 315	1899051	310, 319
1775003	395	1812017	311, 321	1899052	310, 320
1775004	390	1812018	311, 321	1899053	311, 320
1775007	389, 395	1812019	310, 315	1899054	311, 320
1775008	389, 395	1812020	310, 315	1899055	311, 320
1775009	388, 395, 687	1813001	140, 311, 321, 586	1899056	311, 320
1775011	388, 395	1813002	44, 140, 153, 154, 312, 323	1899057	311, 320
1775013	388, 395, 653	1813007	44, 45, 310, 315	1899058	311, 320
1775017	389, 396, 583	1813008	44, 45, 324	1899062	311, 322
1775018	389, 396, 689	1813012	44, 46, 311, 315	1899063	311, 322
1799005	389, 396	1813013	310, 315	1899064	311, 320
1799007	389, 396	1813014	46, 140, 141, 310, 315	1899065	311, 322
1799008	388, 396	1813015	66, 310, 315	1910002	3, 4, 408, 423, 587
1799009	389, 396	1813016	44, 45, 120, 121, 311, 315	1911009	404, 409
1799010	389, 396, 590	1813017	44, 45, 90, 312, 321, 586	1911013	6, 12, 408, 423
1799011	390, 396, 590	1813018	120, 121, 310, 316	1912014	27, 404, 409
1799012	389, 396, 583, 590	1813019	44, 45, 310, 316	1912020	26, 27, 124, 125, 126, 127, 128, 129, 404, 409
1799013	389, 397, 583, 590	1813020	310, 316	1912021	404, 409
1799014	389, 397, 590, 683	1814001	311, 321	1912022	26, 27, 404, 409
1799015	389, 397, 590	1814003	311, 316	1912023	27, 48, 407, 419
1799016	389, 397, 590	1814004	310, 316		
1799018	389, 397, 590	1814005	67, 153, 154, 311, 316		
1799020	389, 397, 583	1814006	65, 66, 67, 311, 316		
1799021	389, 397, 583	1814007	65, 66, 311, 316		
1799023	389, 397	1814008	310, 316		
		1815001	89, 90, 311, 317		

Kysor Part Number	Page Number	Kysor Part Number	Page Number	Kysor Part Number	Page Number
1912024	26, 27, 404, 409	1999200	425	2017001	49, 69, 130, 456
1912025	26, 27, 404, 409	1999202	425	2017002	130, 456, 585
1912026	26, 27, 404, 409	1999203	125, 126, 127, 128, 129, 406, 415	2017003	69, 456
1912027	26, 27, 406, 409		629	2017004	456
1912028	26, 27, 154, 155, 406, 410	1999209	407, 420	2018001	456
		1999210	408, 420	2018006	143, 447
1912029	26, 406, 410	1999212	406, 415	2075001	456, 653
1913011	48, 408, 423	1999213	406, 415, 623	2075002	456
1913012	47, 48, 408, 423	1999214	406, 415	2075003	453, 673
1913013	47, 48, 404, 410	1999215	92, 406, 415	2075004	453
1913014	47, 48, 404, 410	1999220	406, 415, 587	2075005	456
1913015	47, 48, 408, 423	1999221	407, 420, 587	2075006	456, 623, 625, 627, 633, 635, 637, 655, 657, 689
1913016	408, 423	1999223	407, 420, 587		456
1913017	47, 48, 408, 424	1999224	124, 125, 126, 127, 128, 129, 408, 424	2075007	456, 623, 625, 627, 633, 635, 637, 651, 655, 657, 689
1914001	404, 410	1999225	125, 126, 127, 128, 129, 406, 416	2075008	453
1914004	68, 407, 419		93, 406, 416	2090001	2, 3, 28, 48, 68, 130, 142, 156, 453
1914005	404, 410	1999226	68, 128, 129, 406, 416	2099002	4, 28, 48, 68, 93, 94, 130, 156, 454
1914006	405, 410		407, 421	2099003	48, 69, 130, 143, 457, 580, 585, 592
1914008	68, 128, 129, 405, 410	1999227	407, 421	2099004	2, 28, 49, 69, 94, 130, 143, 156, 457
1914010	405, 410	1999228	408, 424	2099005	94, 130, 142, 143, 457, 592, 639, 641
1914011	405, 411	1999229	407, 421	2099006	130, 156, 454, 580, 677
1914012	405, 411	1999230	407, 421	2099009	454
1914013	68, 125, 126, 127, 128, 129, 405, 411	1999231	407, 421	2099010	454
		1999232	404, 416	2099012	2, 130, 454, 580, 585
1914014	68, 405, 411	1999233	406, 416	2099013	457
1914015	67, 124, 125, 405, 411	1999234	406, 416	2099015	457, 580, 585, 651, 653
1914016	3, 68, 124, 129, 405, 411	1999235	407, 421	2099016	457, 580, 585
1915002	408, 420	1999236	407, 421	2099019	457, 585
1915004	91, 92, 405, 411	1999237	404, 416	2099020	457, 580
1915005	91, 92, 124, 129, 155, 404, 411	1999238	407, 421	2099022	68, 130, 454
		1999239	404, 416	2099023	457, 581
1915008	91, 92, 93, 405, 411	1999240	407, 421	2099025	452
1915009	404, 412	1999241	408, 424	2099026	447, 643, 645, 647, 659, 661, 693
1915010	91, 92, 93, 405, 412	1999242	406, 416	2099028	69, 452, 592
1917001	125, 126, 127, 128, 129, 405, 412	1999243	404, 416	2099029	276, 454
		1999244	406, 417	2112001	433
1917008	68, 124, 125, 126, 127, 128, 129, 408, 424	1999245	406, 417	2112002	32, 143, 429
		1999246	408, 421	2112008	29, 30, 33, 429
1917009	68, 125, 127, 128, 129, 405, 412	1999247	408, 421	2112013	431
		1999248	406, 417	2112015	29, 30, 428
1917010	68, 125, 127, 128, 129, 405, 412	1999249	404, 417	2113001	50, 433
		1999250	406, 417	2113002	50, 51, 433
1918001	154, 155, 405, 412	1999251	408, 422	2113003	50, 433
1918004	142, 405, 412	1999252	406, 417	2113005	56, 80, 81, 341, 342
1918005	92, 93, 405, 412	1999253	407, 422	2113007	56, 80, 81, 341, 342
1918006	404, 412	1999254	404, 417	2113009	29, 35, 341, 342
1918008	92, 93, 141, 142, 405, 413	1999255	406, 417	2113010	29, 35, 341, 342
		1999256	404, 417	2113011	49, 452
1918009	142, 405, 413	1999257	406, 418	2113012	50, 431
1919001	141, 142, 405, 413	1999258	407, 422	2113013	50, 431
1919002	405, 413	1999259	408, 422	2113014	50, 447
1919003	154, 155	1999260	406, 422	2113015	56, 341, 342
1975001	669, 673	1999261	406, 418	2113016	56, 341
1975002	625	1999262	406, 418	2114001	69, 70, 433
1975003	407, 420	1999263	406, 418	2114002	433
1975004	4, 404, 413	1999264	406, 418	2114003	428
1975007	405, 413	1999265	407, 418	2114004	429
1975008	406, 413	1999266	408, 422	2114007	71, 72, 73, 78, 130, 431
1999004	6, 408, 424	1999267	404, 418	2115003	56, 134, 341, 342
1999005	3, 92, 93, 141, 404, 413	1999268	406, 418	2115004	95, 431
1999007	68, 92, 93, 141, 155, 404, 413	1999269	407, 422	2117001	69, 70, 143, 429
		1999270	408, 422	2117004	69, 130, 430
1999009	92, 93, 124, 129, 141, 405, 414, 580	1999271	407, 422	2117005	79, 134, 341, 342
		1999272	407, 423	2117006	79, 341, 342
1999011	124, 129, 404, 414	2010007	447	2118001	143, 144, 431
1999012	405, 414	2010009	48, 130, 453	2118002	143, 430
1999013	405, 414	2010010	3, 4, 453	2118003	50, 51, 156, 431
1999014	6, 408, 424	2011001	453	2118004	80, 81, 134, 341, 342, 581
1999015	407, 414	2012001	28, 49, 453		
1999016	92, 93, 405, 414	2012003	2, 3, 4, 28, 453		
1999022	93, 155, 404, 414	2012005	28, 29, 455		
1999029	141, 407, 420	2012006	28, 29, 142, 455		
1999030	407, 420	2012007	28, 455		
1999031	407, 414	2013003	49, 455		
1999032	405, 414	2013004	48, 49, 455		
1999034	155, 404, 415	2013005	48, 49, 455		
1999037	129, 405, 415	2013007	51, 452		
1999040	404, 415	2015003	94, 456		

Kysor Part Number	Page Number	Kysor Part Number	Page Number	Kysor Part Number	Page Number
2118005	145, 146, 341	2199104	50, 95, 131, 434	2299105	443
2175001	430	2199106	452	2299106	439
2175002	95, 431	2210001	4, 444	2299107	435
2175003	431, 627	2211007	436	2299108	31, 32, 52, 53, 72, 73, 443
2175004	432	2212001	31, 32, 435		
2175005	343	2212002	31, 32, 435	2299109	30, 31, 32, 53, 54, 72, 73, 74, 75, 76, 77, 96, 132, 144, 156
2175007	452	2212004	30, 31, 32, 156, 435		
2175008	452	2212005	30, 31, 32, 156, 444		
2175009	310, 313	2212006	443	2312001	33, 34, 56, 445
2175010	310, 313	2213001	51, 52, 53, 132, 441	2312002	31, 32, 33, 34, 54, 457
2175011	429	2213002	51, 52, 53, 55, 436	2312003	33, 457
2175012	450	2213003	51, 52, 53, 131, 436	2313001	55, 56, 444
2190003	450	2213006	52, 53, 54, 437	2313002	445
2191001	448	2213007	51, 52, 53, 54, 437	2313003	55, 445
2191002	448	2213009	54, 440	2313004	54, 458
2191003	448	2213010	51, 52, 53, 441	2313005	458
2191004	449	2213012	437	2313007	458
2191005	449	2213013	51, 52, 53, 54, 132, 448	2314002	77, 78, 79, 445
2191006	449	2213014	51, 54, 55, 448	2318001	145, 444
2191007	449	2213016	51, 52, 53, 441	2318002	445
2191008	449	2213017	54, 441	2318004	132, 445
2191009	449	2214002	72, 73, 74, 75, 76, 77, 131, 437	2375001	56, 446, 633, 635, 637, 639, 641
2191010	449				
2199002	156, 432	2214003	72, 73, 74, 75, 76, 77, 131, 132, 437	2390001	446
2199003	30, 31, 32, 72, 73, 74, 75, 76, 77, 96, 429	2214004	437	2399001	34, 55, 132, 133, 134, 445
		2214006	72, 73, 74, 75, 76, 77, 435	2399003	145, 445
2199005	29, 30, 131, 432, 581, 633, 635, 637, 657	2217001	72, 73, 74, 75, 76, 77, 132, 437	2399004	55, 156, 157, 158, 446, 623, 625, 627, 655, 657
				2399005	56, 77, 78, 79, 97, 98, 132, 445
2199006	98, 433	2217002	72, 73, 74, 75, 76, 77, 132, 441		
2199007	143, 433	2217003	72, 73, 74, 75, 76, 77, 132, 441	2399006	132, 446, 581
2199008	50, 69, 70, 95, 130, 131, 433			2399009	77, 78, 79, 133, 134, 446, 581
		2217004	130, 132, 442		
2199009	50, 51, 130, 131, 434	2218022	448	2399010	77, 78, 79, 156, 157, 158, 444
2199010	50, 51, 95, 131, 434	2275001	437		
2199012	341	2275003	442, 581	2399011	444
2199019	434	2275004	442	2399015	446
2199020	430	2275005	437, 627	2399017	448
2199021	430	2275007	438	2399018	97, 447
2199022	69, 70, 430	2275009	623, 625	2399019	34, 56, 97, 133, 134, 447
2199023	69, 70, 95, 131, 430	2275010	438, 623, 625	2399020	34, 56, 133, 134, 447
2199024	432	2275011	438, 673	2399022	55, 447
2199025	143, 144, 432, 581	2275012	4, 32, 51, 52, 438, 627	2399023	446
2199026	29, 30, 50, 156, 432, 581	2275013	4, 51, 52, 53, 72, 73, 74, 75, 76, 77, 95, 96, 144, 438	2399024	629
2199027	30, 95, 130, 131, 432			2399026	446, 581
2199028	546			2411001	328, 337
2199031	70, 71, 450, 592	2299001	31, 32, 51, 52, 442	2411003	56, 329, 337
2199032	450	2299002	4, 438	2411004	56, 328, 330
2199033	450	2299003	436	2411005	158, 328, 330
2199034	450	2299005	30, 31, 32, 72, 77, 96, 132, 442	2411007	329, 337
2199035	451			2412005	35, 328
2199036	451	2299006	448	2412007	35, 328, 330
2199037	451	2299008	72, 73, 74, 75, 76, 77, 132, 144, 156, 436	2412010	328, 334
2199038	451			2412013	329, 330
2199039	451	2299010	131, 442	2412015	35, 328, 331
2199041	451	2299012	438	2413003	56, 328, 331
2199042	451	2299013	32, 54, 438	2413004	56, 328, 331
2199044	451	2299014	438	2413005	56, 329, 337
2199048	451	2299017	439	2413006	56, 329, 337
2199055	574	2299018	439	2414004	80
2199061	434	2299019	439	2414007	80, 81, 134, 328, 331
2199064	343, 583	2299020	96, 439	2414008	79, 80, 81, 82, 134, 328, 331
2199065	343, 583	2299021	439		
2199066	79, 158, 342	2299022	4, 442	2414010	81, 82, 328, 334
2199067	80, 81, 134, 342	2299023	52, 442	2414011	79, 328, 331
2199069	134, 342, 581	2299024	442	2414012	328, 334
2199070	72, 73, 77, 78, 79, 348	2299031	443	2417001	134
2199071	451, 581	2299032	443	2417002	79, 134, 342
2199072	342	2299033	96, 144, 435	2417003	342
2199073	342, 581	2299035	31, 440	2418001	145, 146
2199074	432, 581	2299036	53, 72, 73, 440	2418004	145, 146
2199075	310, 313, 581	2299037	53, 440	2475002	328, 331, 625
2199085	451	2299100	144, 436	2475005	328, 331
2199089	432	2299101	72, 73, 74, 75, 76, 77, 131, 443	2475006	328, 331
2199097	343, 590			2475010	328, 331, 655
2199098	343, 590	2299102	439	2499002	329, 330
2199099	343, 590	2299104	439	2499003	80, 329, 330
2199101	447, 581				
2199102	451, 585				

Kysor Part Number	Page Number	Kysor Part Number	Page Number	Kysor Part Number	Page Number
2499005	80, 329, 330	2499157	328, 336	2599089	343
2499006	328, 331, 592	2512003	343	2599090	347, 584
2499013	328, 331	2514003	343	2599091	343
2499021	328, 332, 581, 585	2575001	343	2599092	343
2499031	80, 328, 337	2575002	344, 580	2600005	484, 512
2499038	35, 80, 329, 330	2575003	344	2600006	484, 512
2499039	328, 337	2575004	344	2600007	484, 512
2499040	328, 338	2575005	344	2600008	484, 512
2499041	329, 338	2575006	344	2600009	461
2499043	329, 338	2575007	344	2600010	461
2499044	329, 338	2575008	344	2600011	461
2499045	329, 338	2575009	344, 584	2600012	461
2499048	329, 338, 581	2575010	344, 580	2600013	524
2499050	339	2575011	345, 580	2600016	476
2499052	339	2575018	345	2600017	476
2499053	339	2575021	343, 590	2600018	476
2499068	329, 338, 592	2575024	345	2600019	476
2499069	329, 338, 592	2575025	345	2600020	476
2499075	328, 581	2599002	343	2600021	476
2499078	328, 332, 585	2599004	343	2600022	476
2499081	328, 335, 581	2599005	343	2600023	476
2499085	328, 332	2599006	343	2600025	524
2499087	328, 335, 592	2599007	343	2600028	521
2499088	335, 592	2599009	343, 590	2600032	461
2499091	328, 335, 592	2599011	343	2600034	461
2499093	328, 332, 581	2599012	343	2600039	484, 512
2499096	328, 332, 585	2599015	343	2600040	484, 512
2499097	328, 332	2599016	343	2600041	484, 512
2499098	35, 328, 332	2599017	343	2600042	484, 512
2499099	328, 337	2599018	343	2610001	484, 512
2499100	80, 328, 335	2599020	343	2610001-DS	484, 512
2499101	328, 335	2599024	345	2610002	484, 512
2499102	328, 335	2599025	345, 580	2610002-DS	484, 512
2499104	329, 338, 581	2599029	345	2610003	484, 512
2499105	328, 332	2599030	345	2610003-DS	121, 484, 512
2499107	328, 332	2599031	345, 580	2610004	484, 512
2499108	134, 328, 332	2599032	346, 580	2610004-DS	484, 512
2499109	35, 328, 332	2599034	346	2610005	483, 623, 625, 697
2499110	72, 73, 81, 82, 328, 335	2599036	346	2610006	483
2499111	35, 56, 328, 332	2599037	346	2610009	524
2499112	328, 333	2599038	346	2610771	499
2499113	328, 333	2599041	346	2610772	499
2499114	328, 333	2599043	346, 587, 591	2610773	499
2499115	328, 335, 581	2599044	346	2610774	499
2499116	80, 328, 333, 653, 655	2599045	343	2610776	499
2499117	328, 335	2599046	343	2610777	498
2499118	81, 82, 328, 335	2599047	346, 591	2610778	498
2499119	80, 328, 333	2599048	347	2610779	498
2499120	79, 80, 81, 82, 328, 333	2599049	347	2610780	498
2499121	80, 134, 328, 333	2599050	347	2610901	498
2499123	328, 333	2599051	347, 584	2610902	498
2499124	328, 333	2599052	343, 583	2610903	498
2499125	328, 333, 585	2599053	343, 583	2610904	498
2499126	79, 328, 336	2599056	343, 590	2610905	499
2499127	328, 333, 592	2599057	343, 583	2611151	496
2499128	328, 333	2599058	347, 580	2611152	496
2499129	328, 334	2599059	343, 583	2611153	496
2499130	328, 336, 581	2599060	343, 583	2611154	496
2499131	328, 336	2599061	343, 583	2611156	496
2499132	328, 336	2599062	343, 583	2611191	497
2499133	328, 336, 585, 587	2599063	343	2611192	497
2499134	328, 336, 592	2599064	343	2611193	497
2499137	328, 334	2599065	347	2611194	497
2499140	328, 336	2599066	343	2611196	497
2499141	328	2599067	343, 579	2611197	497
2499142	328, 334, 592	2599068	343, 583	2611198	497
2499144	329, 338, 585	2599069	343, 590	2611201	495
2499145	329, 338, 592	2599070	347, 591	2611202	495
2499146	328, 336, 585	2599071	343	2611203	495
2499148	329, 338	2599072	343	2611204	495
2499149	329, 339, 581	2599073	343, 586, 590	2611205	495
2499150	328, 336, 581	2599075	343, 583	2611206	495
2499151	329, 339, 581	2599076	343, 583	2611207	495
2499152	329, 339, 581	2599077	343, 579	2611208	495
2499153	328, 334	2599079	343, 590	2611281	498
2499154	328, 334, 592	2599080	343, 590	2611295	497
2499155	328, 334	2599087	343	2611301	494
2499156	328, 336	2599088	343	2611302	494

Kysor Part Number	Page Number	Kysor Part Number	Page Number	Kysor Part Number	Page Number
2611303	494	2612556	489	2614082	492
2611304	494	2612590	491	2614083	492
2611351	494	2612591	491	2614084	493
2611352	494	2612592	491	2614085	493
2611353	494	2612593	491	2614086	493
2611391	494	2612594	491	2614087	493
2611392	494	2612596	491	2614088	493
2611393	494	2612597	491	2614089	493
2611501	495	2612598	491	2614090	485
2611502	495	2612599	491	2614091	485
2611503	495	2613891	494	2614092	485
2611504	495	2613892	494	2614093	485
2611506	495	2614011	497	2614094	485
2611507	495	2614012	488	2614095	485
2611551	496	2614013	490	2614096	485
2611552	496	2614014	490	2614097	485
2611553	496	2614015	498	2614098	485
2611554	496	2614016	499	2614099	485
2611556	497	2614017	499	2614100	485
2611591	497	2614018	499	2614101	485
2611592	497	2614019	499	2614102	485
2611593	497	2614020	499	2614103	485
2611594	497	2614021	488	2614104	485
2611596	497	2614022	485	2614105	485
2611597	498	2614023	494	2614106	493
2611598	497	2614024	488	2614107	498
2612101	486	2614025	492	2614108	498
2612102	486	2614026	492	2614109	498
2612103	486	2614027	486	2614110	498
2612191	486	2614028	486	2614111	498
2612192	486	2614029	486	2614112	498
2612193	486	2614030	486	2614113	498
2612194	486	2614031	486	2614114	498
2612201	487	2614032	486	2614115	498
2612202	487	2614033	486	2614116	499
2612203	487	2614034	486	2614117	499
2612204	487	2614035	486	2614118	499
2612206	487	2614036	486	2614119	499
2612207	487	2614037	486	2614120	487
2612208	487	2614038	486	2614121	487
2612209	487	2614040	487	2614122	489
2612210	487	2614041	489	2614123	489
2612211	487	2614042	489	2614124	489
2612212	490	2614043	488	2614125	489
2612251	488	2614044	489	2614126	489
2612252	488	2614045	492	2614127	489
2612253	488	2614049	492	2614128	500
2612254	488	2614051	492	2614129	501
2612256	488	2614052	491	2614130	502
2612257	488	2614053	490	2614131	501
2612281	492	2614054	490	2614132	501
2612291	489	2614055	490	2614133	502
2612292	489	2614056	492	2614134	501
2612293	489	2614057	491	2614135	501
2612294	489	2614058	503	2614136	501
2612296	490	2614059	495	2614137	501
2612297	490	2614060	496	2614138	501
2612298	490	2614061	496	2614139	501
2612299	490	2614062	497	2614140	501
2612501	488	2614063	494	2614141	501
2612502	488	2614064	494	2614142	501
2612503	488	2614065	494	2614143	502
2612504	488	2614066	495	2614144	501
2612506	487	2614067	495	2614145	501
2612508	487	2614068	494	2614146	501
2612510	491	2614069	494	2614147	502
2612511	488	2614070	494	2614148	502
2612512	488	2614071	496	2614149	502
2612513	488	2614072	496	2614150	502
2612514	488	2614073	496	2614151	502
2612515	491	2614074	492	2614152	502
2612516	491	2614075	492	2614153	502
2612518	490	2614076	492	2614154	502
2612519	490	2614077	492	2614155	502
2612551	489	2614078	492	2614156	502
2612552	489	2614079	493	2614157	502
2612553	489	2614080	493	2614158	502
2612554	489	2614081	493	2614159	503

Kysor Part Number	Page Number	Kysor Part Number	Page Number	Kysor Part Number	Page Number
2614160	503	2614238	506	2631301	472
2614161	503	2614239	506	2631302	472
2614162	503	2614240	506	2631303	472
2614163	503	2614241	501	2631304	472
2614164	503	2614242	502	2631306	472
2614165	503	2614243	497	2631307	473
2614166	503	2614245	496	2631391	473
2614167	503	2614246	488	2631392	473
2614168	503	2614247	488	2631393	473
2614169	503	2614248	483	2631501	472
2614170	503	2620793	498	2631502	472
2614171	503	2622193	486	2631503	472
2614172	503	2622551	489	2631506	472
2614173	503	2622705	485	2631507	472
2614174	503	2622706	485	2631591	473
2614175	503	2622707	485	2631592	473
2614176	503	2630001	461, 524	2631593	473
2614177	505	2630002	461	2631596	473
2614178	505	2630003	461	2631597	473
2614179	505	2630004	461	2632001	468
2614180	505	2630009	460	2632002	468
2614181	505	2630010	460	2632003	468
2614182	505	2630011	460	2632004	468
2614183	505	2630012	460	2632008	468
2614184	505	2630013	460	2632009	470
2614185	505	2630014	460	2632051	468
2614186	505	2630015	460	2632052	468
2614187	505	2630016	460	2632053	468
2614188	505	2630017	462	2632054	468
2614189	505	2630018	471	2632059	468
2614190	505	2630019	462	2632091	462
2614191	505	2630020	462	2632092	469
2614192	505	2630021	462	2632093	469
2614193	505	2630022	462	2632094	462
2614194	505	2630023	462	2632095	469
2614195	505	2630024	462	2632096	462
2614196	505	2630701	474	2632097	468
2614197	504	2630702	474	2632098	469
2614198	504	2630703	474	2632100	469
2614199	504	2630704	474	2632101	470
2614200	504	2630705	475	2632102	470
2614201	504	2630706	475	2632103	470
2614202	504	2630707	475	2632104	470
2614203	504	2630708	475	2632105	469
2614204	504	2630721	475	2632106	470
2614205	504	2630722	475	2632107	470
2614206	504	2630791	475	2632108	470
2614207	504	2630792	475	2632109	469
2614208	504	2630793	475	2632110	470
2614209	504	2630794	475	2632111	470
2614210	504	2630901	475	2632112	470
2614211	503	2630902	475	2632113	475
2614212	503	2630903	475	2632151	470
2614213	504	2630904	475	2632152	470
2614214	504	2630905	474	2632153	470
2614215	504	2630906	475	2632154	470
2614216	500	2630907	475	2632156	470
2614217	500	2630908	475	2632157	470
2614218	500	2630909	475	2632158	470
2614219	500	2630910	475	2632191	470
2614220	500	2630911	475	2632192	470
2614221	506	2630912	474	2632193	470
2614222	506	2630913	474	2632196	470
2614223	506	2631201	472	2632197	470
2614224	506	2631202	472	2632201	463
2614225	506	2631203	472	2632202	463
2614226	506	2631204	472	2632203	463
2614227	506	2631206	472	2632204	463
2614228	506	2631207	472	2632205	463
2614229	506	2631209	472	2632206	463
2614230	506	2631251	473	2632207	463
2614231	506	2631252	473	2632208	463
2614232	506	2631256	473	2632209	467
2614233	506	2631258	473	2632210	471
2614234	506	2631296	473	2632211	469
2614235	506	2631297	473	2632212	469
2614236	506	2631298	473	2632213	469
2614237	506	2631299	474	2632214	469

Kysor Part Number	Page Number	Kysor Part Number	Page Number	Kysor Part Number	Page Number
2632215	468	2633893	462	2660034	477
2632216	463	2633894	462	2660035	478
2632217	463	2633898	462	2660036	477
2632218	463	2633899	460	2660037	479
2632219	463	2633909	462	2660038	479
2632251	465	2633910	472	2660039	479
2632252	465	2633911	472	2660040	479
2632253	465	2633912	475	2660041	479
2632254	465	2633913	475	2660042	479
2632255	465	2633914	466	2660043	480
2632256	465	2633915	466	2660044	480
2632257	465	2633916	462	2660045	480
2632258	465	2633917	462	2660046	480
2632259	465	2633918	463	2660047	480
2632291	465	2633919	463	2660048	480
2632292	465	2633920	463	2660049	480
2632293	465	2633921	463	2660050	479
2632294	465	2633922	471	2660051	479
2632295	466	2633923	471	2660052	479
2632296	465	2633924	471	2660053	479
2632297	465	2633925	471	2660054	479
2632298	465	2633926	471	2660055	479
2632299	466	2633927	467	2660056	480
2632300	466	2633928	463	2660057	480
2632301	466	2633929	468	2660059	480
2632302	466	2633930	468	2660060	480
2632303	466	2633931	460	2660061	480
2632304	465	2633932	460	2660062	480
2632305	465	2633933	468	2660063	480
2632306	466	2633934	468	2660064	481
2632307	467	2633935	469	2660065	481
2632402	464	2640701	339	2660066	481
2632403	464	2640702	339	2660067	481
2632406	464	2640703	339	2660068	481
2632493	468	2640704	340	2660069	481
2632494	468	2640705	340	2660070	481
2632501	488	2640772	340	2660071	481
2632502	464	2640774	340	2660072	481
2632503	464	2640792	340	2660073	481
2632504	464	2640794	340	2660074	481
2632505	463	2640795	340	2660075	481
2632506	464	2640796	340	2660076	481
2632507	464	2640797	340	2660077	481
2632508	465	2650001	522	2660078	481
2632509	464	2660000	483	2660079	481
2632510	464	2660001	483	2660080	481
2632511	464	2660002	483	2660081	481
2632512	464	2660003	483	2660082	481
2632513	464	2660004	477	2660083	481
2632514	464	2660005	477	2660084	481
2632515	464	2660006	477	2660085	481
2632552	465	2660007	477	2660086	481
2632553	465	2660008	477	2660087	481
2632557	465	2660009	477	2660088	481
2632558	465	2660010	477	2660089	479
2632559	467	2660011	477	2660090	479
2632560	467	2660012	477	2660091	479
2632561	467	2660013	477	2660092	479
2632562	467	2660014	477	2660093	480
2632563	467	2660015	477	2660094	480
2632564	467	2660016	477	2670001	512
2632565	467	2660017	477	2670002	512
2632566	467	2660018	478	2670003	512
2632567	467	2660019	478	2670004	512
2632591	466	2660020	478	2670005	512
2632592	466	2660021	478	2670006	513
2632593	466	2660022	478	2670007	513
2632594	466	2660023	478	2670008	513
2632596	466	2660024	478	2670009	513
2632598	467	2660025	478	2670010	513
2633093	471	2660026	478	2670011	513
2633094	474	2660027	478	2670012	513
2633098	471	2660028	478	2670013	513
2633801	462	2660029	478	2670014	513
2633802	462	2660030	478	2670015	513
2633803	462	2660031	477	2670016	513
2633891	462	2660032	477	2670017	513
2633892	462	2660033	478	2670018	513

Kysor Part Number	Page Number	Kysor Part Number	Page Number	Kysor Part Number	Page Number
2670019	513	2799053	521	2899033	547
2670020	513	2799054	523	2899100	540
2670021	514	2799055	523	2899107	547
2670022	514	2799056	526	2999003	529
2670023	514	2799066	523	2999004	529
2670024	514	2799072	523	2999005	529
2670025	514	2799073	523	2999006	529
2670026	514	2799076	524	2999007	529
2670027	514	2799078	524	2999009	529
2670028	514	2799081	524	2999013	529
2670029	514	2799084	523	2999015	531
2670030	514	2799085	523	2999019	528
2670031	514	2799086	523	2999021	530
2670032	514	2799087	523	2999026	530
2670033	514	2799088	523	2999030	530
2670034	514	2799089	523	2999031	530
2670035	514	2799092	526	2999032	530
2670036	514	2799095	518, 546	2999033	531
2670037	514	2799097	518, 546	2999034	531
2670038	514	2799098	518, 544	2999036	531
2670039	515	2799099	518, 544	2999037	531
2670040	514, 515	2799100	542	2999041	531
2670041	515	2799101	518, 542	2999049	531
2670042	515	2799102	518, 545	2999051	531
2670043	515	2799103	518, 545	2999060	531
2670044	515	2799105	50, 516, 517	2999061	532
2670045	515	2799107	519, 520	2999064	532
2670046	515	2799108	519, 520	2999075	532
2670047	515	2799110	520	2999085	529
2670048	515	2799115	516, 517, 518, 519, 520	2999086	529
2670049	515	2799116	516, 517, 518, 519, 520	2999091	532
2670050	515	2799117	516, 517, 518, 519, 520	2999093	529
2670051	515	2799118	516, 517, 518, 519, 520	2999097	529
2670052	515	2799200	520	2999099	529
2670053	515	2799201	520	2999102	530
2670054	515	2799202	519, 520	2999103	530
2670055	512	2799203	516, 517, 519	2999105	476
2670056	513	2799204	516, 517, 519	2999106	476
2712001	29, 516	2799206	516, 517, 519	2999107	528
2712002	516	2799208	50, 516, 517, 519	2999108	528
2712003	516	2799209	521	2999109	528
2712004	516	2799210	516, 517	3099007	86, 534, 537
2712005	29, 156, 516	2799211	50, 542	3099042	534, 537
2712006	29, 516	2799212	50, 542	3099047	534, 537
2712007	29, 156, 516	2799215	542	3099054	534, 537
2799013	516, 517, 518, 519, 520	2799216	516, 517	3099055	534, 538
2799014	516, 517, 518, 519	2799217	516, 517	3099056	534, 536
2799015	516, 517, 518, 519	2799218	516, 517	3099057	534, 536
2799016	516, 517, 518, 519	2799219	517	3099058	534, 536
2799017	516, 517, 518, 519	2799220	542	3099059	534, 535
2799018	516, 517, 518, 519	2799221	524	3099060	534, 536
2799019	516, 517, 518, 519	2799222	425, 587	3099061	534, 538
2799020	516, 517, 518, 519	2799223	524	3099062	534, 538
2799021	516, 517, 518, 519	2799224	460	3099063	534, 538
2799022	516, 517, 518, 519	2799225	460	3099064	534, 537
2799023	516, 517, 518, 519	2799226	460	3099065	534, 537
2799024	516, 517, 518, 519	2799227	460	3099066	534, 537
2799025	516, 517, 518, 519	2799228	460	3099067	534, 535
2799026	516, 517, 518, 519	2799229	460	3099068	534, 535
2799027	516, 517, 518, 519, 520	2899001	540	3099069	534, 538
2799028	516, 517, 518, 519	2899002	540	3099070	534, 538
2799029	516, 517, 518, 519	2899003	540	3099071	534, 538
2799030	516, 517, 518, 519	2899004	540	3099072	534, 538
2799031	516, 517, 518	2899005	540	3099073	534, 535
2799032	516, 517	2899006	540	3099074	534, 535
2799037	521	2899010	541	3099075	534, 535
2799038	521	2899014	541	3112001	13, 550, 555
2799039	521	2899015	541	3112005	550, 555
2799042	522	2899016	541	3112006	13, 550, 555
2799044	522	2899024	541	3112007	13, 551, 555
2799045	522	2899025	541	3112009	13, 550, 555
2799046	521	2899026	541	3112010	13, 550, 555
2799047	521	2899027	541	3112012	8, 13, 550, 555
2799048	521	2899028	518, 546	3112014	551, 555
2799049	521	2899029	546	3113001	550, 555
2799050	521	2899030	546	3113003	36, 551, 556
2799051	521	2899031	547	3113004	36, 550, 556
2799052	521	2899032	547	3113005	36, 552, 556

Kysor Part Number	Page Number	Kysor Part Number	Page Number	Kysor Part Number	Page Number
3113006	36, 551, 556	3199072	552, 564, 582	3299052	573, 584
3113007	552, 556, 582	3199073	552, 565, 582	3299053	573, 584
3113008	553, 556, 582	3199074	553, 565, 582	3299054	573, 584
3113009	551, 556, 582	3199076	550, 565	3299057	574, 592
3114001	57, 99, 552, 556	3199078	553, 565, 578	3299062	576, 584
3114002	551, 556	3199079	551, 565, 578	3299063	574, 592
3114003	57, 551, 557	3199080	554, 565, 578	3299064	574
3115001	83, 135, 550, 557	3199081	550, 565, 588	3314001	743
3117001	99, 551, 557	3199082	552, 565, 588	3399003	584, 743
3117002	57, 99, 551, 557	3199083	553, 565, 578	3399006	580, 743
3117003	550, 557	3199084	551, 566	3399007	580, 743
3117004	553, 557	3199085	36, 551, 566	3399008	580, 743
3118002	135, 551, 557	3199086	550, 566	3399009	591, 743
3118003	13, 135, 551, 557	3199087	553, 566, 578	3399018	580, 743
3119001	147, 551, 557	3199088	552, 566, 582	3399022	580, 743
3175001	551, 558	3199089	550, 566, 578	3399023	743
3175002	553, 558, 637	3199090	552, 566	3399024	591, 743
3175003	554, 558	3199091	551, 566	3399026	584, 743
3175004	552, 558, 653	3199092	553, 566, 582	3399030	591, 743
3175005	554, 558, 657	3199093	553, 567	3399032	744
3175006	551, 558, 623, 625	3199094	552, 567, 588	3399033	591, 744
3175008	550, 558	3199095	552, 567, 578	3399034	580, 744
3175009	553, 558	3199096	552, 567	3399035	584, 744
3175011	553, 558, 637	3212002	572	3399036	584
3175012	552, 559, 651, 653	3212005	572	3399037	584, 744
3175013	553, 559	3212008	34, 428	3399039	591, 744
3175014	553, 559	3213003	572	3399040	591, 744
3199002	551, 559	3213005	574, 584	3399047	580, 744
3199003	552, 559	3275001	574	3399048	580, 744
3199004	552, 559	3275002	574	3399049	580, 744
3199005	552, 559	3275003	574	3399050	580, 744
3199006	552, 559	3275004	572	3399054	591, 745
3199007	550, 559	3275005	574	3399055	580, 745
3199008	552, 560	3275006	572	3399056	584, 745
3199009	554, 560, 578	3275007	572	3399057	591, 745
3199010	551, 560	3275008	575	3399058	591, 745
3199011	553, 560	3275009	572	3399059	591, 745
3199014	550, 560	3275010	575	3399060	591, 745
3199015	553, 560	3275011	572	3399061	591, 745
3199016	553, 560	3275012	575	3399063	584, 745
3199017	550, 560	3275014	572	3399064	584, 745
3199018	554, 560, 578	3275016	575	3399068	591, 745
3199020	36, 551, 561	3299002	575, 584	3399076	591, 745
3199021	57, 99, 552, 561	3299004	575	3399082	584, 746
3199022	554, 561, 588	3299005	575	3399084	584, 746
3199025	13, 550, 561, 588	3299006	572	3399086	584, 746
3199027	550, 561, 588, 683	3299007	575	3399087	746
3199028	553, 561, 588	3299008	572	3399090	584, 746
3199029	554, 561	3299010	144, 145, 572	3399091	591, 746
3199030	83, 550, 561	3299013	575	3399092	591, 746
3199031	551, 561, 578, 582, 586, 588	3299014	575	3399093	591, 746
		3299015	575	3475002	525
3199032	553, 562, 578, 582, 588	3299016	575	3475003	525
3199033	553, 562	3299017	576, 580	3475004	525, 623, 625, 627, 629
3199034	99, 553, 562	3299018	573, 584	3475005	525, 623, 625, 627, 629
3199035	550, 562, 588	3299019	573	3475009	545
3199036	552, 562	3299020	576	3475011	553, 567
3199041	553, 562, 588	3299022	573	3475012	545
3199044	554, 562, 588	3299023	576, 580	3475017	553, 567, 633, 635
3199045	554, 562	3299024	576, 580	3475018	554, 567
3199046	551, 562, 588	3299026	573, 584	3475019	553, 567, 639
3199047	552, 563, 588	3299029	573	3475020	554, 568, 641
3199048	552, 563, 588	3299030	576, 587, 592	3475021	569
3199049	553, 563, 588	3299031	573, 587, 592	3475022	569
3199050	553, 563, 586, 588	3299032	576, 592	3475028	449
3199052	552, 563	3299033	573, 592	3475029	449
3199053	552, 563	3299034	576, 592	3475033	685
3199054	554, 563, 588	3299037	576	3475034	685
3199055	552, 563, 588	3299039	576	3475035	449, 685
3199060	554, 563, 588	3299042	573, 592	3475038	687
3199064	552, 564, 588	3299043	573	3475039	687
3199065	551, 564, 578	3299044	551, 567, 588	3475040	450, 687
3199066	553, 564, 582	3299045	428	3475053	552, 568, 651, 653
3199067	551, 564, 588	3299046	428	3475056	550, 568
3199068	553, 564, 578	3299047	34, 428	3475057	550, 568
3199069	552, 564, 578	3299048	428	3475059	450, 689
3199070	554, 564, 578	3299049	71, 79, 428	3475060	525, 639, 641
3199071	551, 564, 578	3299050	576, 580	3475063	525

Kysor Part Number	Page Number	Kysor Part Number	Page Number	Kysor Part Number	Page Number
3475064	450	4475054	452	BSP00002PANELKIT	698
3475066	543	4475061	544	BSP00003COND12	669
3475067	637	4475070	601, 603, 605	BSP00003COND24	669
3475068	633, 635	4480002	545	BSP00003HVAC12	653
3475069	651, 653	4480032	545	BSP00003HVAC24	653
3475070	655	4499034	542	BSP00003MOUNTKIT	698
3475073	569	4499038	349	BSP00003PANELKIT	609, 698
3475077	450, 683	4499087	454, 601, 603, 605	BSP00004COND12	671
3475085	569	4499098	545, 547	BSP00004COND24	671
3475087	525, 639, 641	4499137	543	BSP00004HEAT12	683
3475098	657	4499138	543	BSP00004MOUNTKIT	698
3475099	657	4499141	544	BSP00004PANELKIT	698
3499011	328	4499142	542	BSP00005COND12	677
3620009	601	4499143	544	BSP00005COND24	677
3620010	601	4499154	753	BSP00005MOUNTKIT	698
3630002	603	4499155	750	BSP00005PANELKIT	609, 698
3630004	603	4499156	753	BSP00006AC24	615
3699003	348	4499157	754	BSP00006HVAC12	625
3713011	543	4499158	760	BSP00006HVAC24	625
3799020	543	4499159	754	BSP00006MOUNTKIT	698
3799034	543	4499160	760	BSP00006PANELKIT	609, 698
3899002	348	4499161	760	BSP00007AC12	633
3899003	348	4499162	759	BSP00007AC24	633
3899005	348, 580	4499163	759	BSP00007HVAC12	661
3899007	348, 590	4499164	759	BSP00007HVAC24	661
3899008	343, 590	4499165	759	BSP00008AC12	651
3899009	348	4499166	759	BSP00009AC12	623
3899010	348	4499167	750	BSP00009AC24	623
3899011	348	4499168	760	BSP00009COND12	679
3899012	348	4499169	755	BSP00010AC12	659
3899013	348	4499170	760	BSP00010AC24	659
3899014	349	4499171	755	BSP00010COND12	667
3899015	349, 583	4499172	757	BSP00010COND24	667
3899017	349	4499173	749	BSP00011AC12	663
3899018	349, 579	4499174	752	BSP00012AC12	629
3899021	349, 583	4499175	757	BSP00012AC24	629
3899023	349	4499176	758	BSP00013COND12	673
3899024	343	4499177	749	BSP00013HEAT12	693
3899026	349	4499178	756	BSP00013HEAT24	693
3899028	349	4499179	748	BSP00014COND12	675
4099004	574, 580	4499180	758	BSP00014COND24	675
4099005	574	4499182	751	BSP00014HVAC12	645
4099120	544	4499183	751	BSP00014HVAC24	645
4099132	347	4499184	752	BSP00015HEAT12	685
4099148	544	270501000	667	BSP00015HEAT24	685
4099150	28, 48, 454, 592	0990013359	643, 645, 647	BSP00016HEAT12	687
4099156	349	1000204696	643, 645	BSP00016HEAT24	687
4099161	544	1000240696	647	BSP00016HVAC12	655
4099162	544	1000310813	627	BSP00016HVAC24	655
4099189	448, 581	1000335550	623, 625, 627, 669, 697	BSP00018HEAT12	689
4099190	521	1000593041	643, 645, 647	BSP00018HEAT24	689
4099200	448	1000651116	647	BSP00019HEAT12	691
4099211	759	1000750666	643, 645	BSP00019HEAT24	691
4099212	759	1000757353	643, 645	BSP00021HEAT12	580, 746
4399015	550, 568	1000763896	647, 659, 661	BSP00024AC12	609
4399081	547	1000777603	647, 659, 661, 693	BSP00024AC24	609
4399095	544	1000783637	647, 659, 661, 693	BSP00025AC12	647
4399131	44	1000796197	643, 645	BSP00025AC24	647
4399135	45	1000898585	623, 625, 627, 669, 671, 697	BSP00026AC12	643
4399136	45			BSP00026AC24	643
4399148	524	1000898591	623, 625, 627, 669, 671, 697	BSP00028AC12	617
4399150	542			BSP00028AC24	617
4399167	542	1000924296	671, 697	BSP00035AC12	637
4475015	545	1000929194	627, 697	BSP00036AC12	657
4475016	545	1000960128	693	BSP00036AC24	657
4475018	545	1000960129	645	BSP00037AC12	639
4475023	550, 568, 601, 603, 605	1211670000	435	BSP00038AC12	641
4475028	458, 601, 603, 605	1741030000	404, 418	BSP00039AC12	627
4475037	601, 603, 605	1741330000	406, 419, 667	BSP00039AC24	627
4475043	545	1749010000	455	BSP00040AC12	609
4475044	544	1749310000	455	BSP00040AC24	609
4475045	544	1752050000	667	BSP00044AC12	621
4475046	522	1753010000	667	BSP00046AC12	609
4475048	543	BSP00001PANELKIT	698	BSP00046AC24	609
4475049	543	BSP00002HVAC12	635		
4475050	543	BSP00002HVAC24	635		

KYSOR Parts - Aftermarket Warranty Policy

Express Limited Warranty for Units and Replacement Parts

Kysor Parts, a division of Bergstrom Climate Systems, LLC ("Kysor Parts") warrants its HVAC replacement parts installed in on-highway vehicles against any defects in material and / or workmanship for a period of one year from the date of original installation or 100,000 miles, whichever comes first. Kysor Parts warrants its HVAC replacement parts installed in off-road vehicles against any defects in material and / or workmanship for a period of one year from date of original installation or 1,500 hours, whichever comes first. In the event that a defect is discovered during the warranty period, Kysor Parts agrees that, at its option, it will repair, replace or credit the defective product, when returned, transportation prepaid to Kysor Parts. Any product repaired or replaced under this warranty will be warranted only for the remainder of the original product's warranty period. The Kysor Parts warranty does not apply to normal maintenance items, consumable products or components such as, but not limited to belts, hoses, compressor shaft seals, gaskets, clutch and compressor bearings, valves, receiver dryers, chemicals, oils, bulbs and filters.

WARRANTY LIMITATIONS

The above warranty does not apply to any complete Kysor proprietary unit or component which, after shipment by Kysor: shall have been repaired or altered outside of Kysor's factory in any way so as, in Kysor's judgment, to adversely affect its operation; shall have been subject to misuse, negligence, accident or damage; shall have been installed contrary to recommended installation practice in any way or shall have been used in conjunction with other Kysor system components, so as, in Kysor's judgment, to adversely affect its operation. It is common for installers to use components from several different manufacturers. If these component substitutions result in the failure of Kysor Systems, Units or other Parts, the Kysor Part will not be covered. Alteration, substitution of components and/or parts, or improper installation shall make null or void any warranty, express or implied. The Kysor Parts warranty is the sole property of the original owner-user-consumer and is not transferable. A transfer of ownership shall terminate / void any remaining warranty. Problems arising from improper installation are the responsibility of the installer and are not covered by the Kysor warranty. Kysor reserves the right to make change or improvements in design or product, without thereby obligating itself to install the same operation upon its products previously manufactured. No representative of Kysor, except an authorized officer, not any Kysor distributor or dealer, has authority to change or extend the warranty in any manner whatsoever.

WARRANTY DISCLAIMER

The warranties printed above are the only warranties applicable to the order or the goods. All other warranties, express or implied, including but not limited to the implied warranties of merchantability and fitness for a particular purpose, are disclaimed.

LIMITATION OF LIABILITY

Kysor parts shall not be liable, whether in contract, in tort, under any warranty, in negligence, or otherwise, for incidental, consequential or special damages, including without limitation costs of removal or shipment, damage to vehicles, contents or product cargo, expenses for towing, rentals or expenses incurred from the failure of any unit or parts thereof to operate properly, labor, refrigerant or loss of profits involved in the replacement of a failed part, injury or damage to trucks, contents, or persons by reason of installation of any kysor product or its mechanical failures or otherwise, including any tort liability for negligent design nor manufacture of this product. Under no circumstances shall kysor parts' liability or buyer's remedy for damages against kysor parts exceed the amount of the purchase price of goods sold for which or relating to which claim is made. In the event that kysor parts' warranty, if any, or any other obligation of kysor parts applicable to the goods fails of its essential purpose, buyer's exclusive remedy shall be limited to return of or credit for so much of the purchase price as is applicable to the goods which are nonconforming or defective, provided such goods are returned to kysor parts. The price stated for the goods is based upon and in consideration for limiting kysor parts' liability. No action arising out of the order or pertaining to the goods may be brought by buyer more than fifteen (15) months after the date of shipment of the goods by kysor parts to buyer. Buyer's remedies as provided herein are its sole and exclusive remedies.

LIMITATION OF REMEDIES

Some states within the United States do not allow the disclaimer of implied warranties and if this is true in your state the above limitation may not apply to you. This warranty gives you specific rights, and you may have other rights that vary from state to state.

Please refer to the Bergstrom website for complete warranty details and claim information, <https://warranty.bergstrominc.com/>



Bergstrom Warranty

Welcome to the Bergstrom Warranty website

Account Registration

To submit a warranty claim for your product you must first have an account for your location. Click the link below to fill out the registration form.

[Registration](#)

Submit Warranty Claim

Account Number

Password

Login problems? [Email Support](#)

Product Warranty Registration

[Bus Aftermarket A/C System Warranty Registration Form](#)

Innovating thermal solutions
for the people who move our world.



Distributed by:

©2018 Bergstrom, Inc.
Part # BAFT-C-FULL-18R1-EN-B

FIRST EDITION



Bergstrom, Inc. | 2390 Blackhawk Rd. | Rockford, IL 61109
parts.kysorhvac.com